

MODEL FIRE DAMPER-ODC



HIGHLIGHTS

- Fire Dampers for the Next Generation Compact Series Fans Only
- 21 gauge Galvanized steel for frame
- 25 gauge Galvanized steel for Damper Adapter
- Spring steel rolled springs included, and the force of one springs is no less than 4.496 lbf

SPECIFICATIONS

Model	FIRE DAMPER-ODC
Material	Galvanized Steel Frame, Fabric
Galvanized Steel	21 gauge, for frame 25 gauge, for Damper Adapter
Fabric	1/8" thick, 12.484 lbs/ft ³ Environment Temperature +1100°C
Fusible Link	165°F, 29/64" width
Springs	Spring steel rolled, 19/32" width, Force of 1 springs ≥ 4.496 lbf

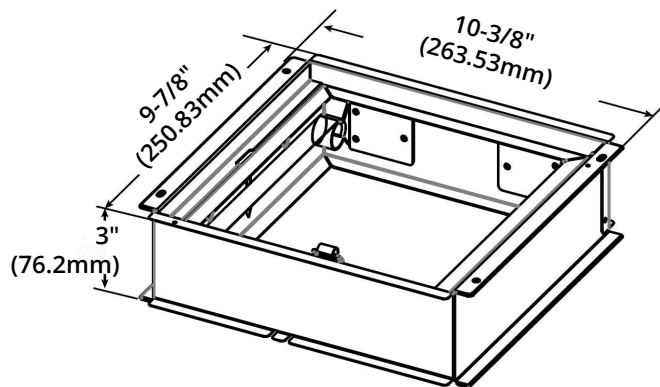
Compatible Fans (sold separately)



ODC-1008,
ODC-8006,
ODD-100S,
ODD-100HS,
ODD-100MS,
ODD-100HS+MS

Next Generation Compact Series Fans

DIMENSIONS



Reference	QTY.	Remarks	Project:
			Location:
			Architect:
			Engineer:
			Contractor:
			Submitted by:
			Date: