

CHOETECH POWER TO THE BEST

CHOETECH Products

Wireless Charging Pad



10W Fast Wireless Charging Pad



Best seller, 5000pcs/day

Features

1. The best-selling wireless charging product;
2. Qi certified products, four colors are available;
3. With over-charge, over-voltage, over-temperature, over-current protection;
4. Anti-slip silicone mat will protect your device from slipping off;
5. It supports three charging modes of 10W/7.5w/5W.

| | |
|-----------------|-----------------------------------|
| Model | T511-S |
| Material | Plastic |
| Interface | Micro USB |
| Input | 5V/2A, 9V/1.8A |
| Output | 10W(Compatible with 7.5W/5W) |
| Product Size | 91*91*8.5mm |
| Available Color | Black/Red/White/ Gold |
| Certifications | CE, RoHS, FCC, Qi, ETL, RCM , PSE |

10W Fast Wireless Charging Pad



Best seller at physical stores

Features

1. Qi certified products;
2. Anti-slip silicone mat will protect your device from slipping off;
3. With over-charge, over-voltage, over-temperature, over-current protection;
4. It supports three charging modes of 10W/7.5w/5W.

| | |
|-----------------|---------------------------------|
| Model | T526-S |
| Material | Anti-fire ABS |
| Interface | Micro USB |
| Input | 5V/2A, 9V/1.8A |
| Output | 10W(Compatible with 7.5W/5W) |
| Product Size | 87*87*9mm |
| Available Color | Black |
| Certifications | Qi,CE, RoHS, FCC, ETL, RCM, PSE |

10W Fast Wireless Charging Pad with 3 Coils



 **Wider Charging Area**

Features

1. Built with 3 coils to provide much wider charging area;
2. Qi certified products;
3. With over-charge, over-voltage, over-temperature, over-current protection;
4. Slim and light plastic pad with anti-slip rubber helps you charge your device in a safe and easy way;
5. It supports three charging modes of 10W/7.5w/5W.

| | |
|-----------------|---------------------------------|
| Model | T513-S |
| Material | Plastic |
| Interface | Micro USB |
| Input | 5V/2A, 9V/1.8A |
| Output | 10W(Compatible with 7.5W/5W) |
| Product Size | 120*70*10.6mm |
| Available Color | Black/White/Blue/Gold/Red |
| Certifications | Qi,CE, RoHS, FCC, ETL, RCM, PSE |

15W Fast Wireless Charging Pad



Features

1. The maximum output power of this wireless charger is increased to 15W;
2. Anti-slip silicone mat will protect your device from slipping off;
3. With over-charge, over-voltage, over-temperature, over-current protection;
4. Supports four charging modes of 15W/10W/7.5w/5W.

| | |
|-----------------|----------------------------------|
| Model | T527-F |
| Material | Anti-fire ABS |
| Interface | Micro USB |
| Input | 5V-12V/2A |
| Output | 15W(Compatible with 10W/7.5W/5W) |
| Product Size | 87*87*9mm |
| Available Color | Black |
| Certifications | CE, RoHS, FCC, ETL, RCM, PSE |

15W Fast Wireless Charging Pad



New Arrival 2020.7.24

Features

1. Fast Wireless Charger: Provides charging speed at up to 15W;
2. Four Charging Modes: 15W, 10W, 7.5W and 5W for various Qi-enabled devices and AirPods;
3. Slim Design: Compact and portable size, takes up minimal space;
4. Anti-slip Silicone Design: Keeps your phone stable when charging;
5. Superior Safety: Features over-charging, over-heating, short circuit and over-current protection.

| | |
|-----------------|-------------------------|
| Model | T550-F |
| Material | ABS + PC + Silicone |
| Interface | USB-C |
| Coil | Single Coil |
| Input | 5V-12V/2A |
| Output | 15W (Max) |
| Product Size | 99.5*75.5*12.8mm |
| Available Color | White/Black |
| Certifications | ETL, RCM, FCC, CE, RoHS |

15W Fast Wireless Charging Pad



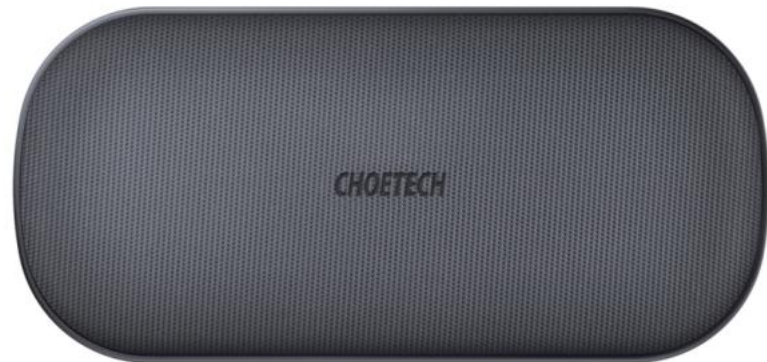
 Power up to 15W
Brand spokesman

Features

1. The maximum output power of this wireless charger is increased to 15W;
2. The built-in large coil of pure copper and smart chip provide more efficient charging;
3. Premium zinc-alloy & tempered glass enable good heat dissipation;
4. Simple and smooth design, thin and light body, all make it easy to carry;
5. With over-charge, over-voltage, over-temperature, over-current protection.

| | |
|-----------------|----------------------------------|
| Model | T559-F |
| Material | zinc-alloy & tempered glass |
| Interface | USB-C |
| Input | 5V-12V/2A |
| Output | 15W(Compatible with 10W/7.5W/5W) |
| Product Size | 100*100*6.6mm |
| Available Color | Black |
| Certifications | ETL, RCM, FCC, CE, RoHS |

5-Coil Dual Fast Wireless Charger



Best seller in 2019
OEM for Verizon & Errison

Features

1. Built-in 5 coils provide a wider charging area;
2. Charge two smartphones at the same time, compatible with AirPos 2;
3. Anti-slip PU leather surface provides sleek and modern style, also prevents your smartphone from sliding;
4. Type-C input to support high-speed input for fast wireless charging;
5. It supports three charging modes of 10W/7.5W/5W, total 18W Max;
6. With over-charge, over-voltage, over-temperature, over-current protection.

| | |
|-----------------|-----------------------------------|
| Model | T535-S |
| Material | ABS + PU |
| Interface | USB-C |
| Input | 5V/3A, 9V/3A(Max) |
| Output | Total 18W Max |
| Product Size | 170*80*12.4mm |
| Available Color | Black/White/Red/Coral/Blue/Yellow |
| Certifications | CE, FCC, RoHS, ETL, RCM, Qi , PSE |

2 in 1 Fast Wireless Charger with Stand for Apple Watch



 **New Arrival**

Features

1. Rapid wireless charging dock can charges one Qi-enabled phone and an Apple Watch simultaneously;
2. The anti-slip silicone pads on the bottom and surface helps keep your dock in place;
3. Surrounded by unique aluminum alloy frame with stylish and gorgeous features;
4. Foldable Apple Watch pad provides various angles to meet the visual needs of different people.

| | |
|-----------------|-------------------------------------|
| Model | T317 |
| Material | Zinc Alloy; Anti-fire PC; TPE |
| Interface | USB-C |
| Input | 5V-2A, 9V-2A |
| Output | Apple Watch 5W(max)+iphone 10W(max) |
| Product Size | 180*92*12.5mm |
| Available Color | White |
| Certifications | MFI, Qi, FCC, CE, RoHS |

Features

T565-S 3-in-1 Wireless Charger



1. 3 in 1 Wireless Charger: Simultaneously charge up to three devices - an Apple Watch, AirPods Pro/2, and an iPhone (8 or later) or Qi-enabled smartphone;
2. 5-Coils Design: Built-in 5 coils provide a wider charging area;
3. MFi Certification: MFi certified of the iWatch module ensures safe charging;
4. Anti-slip PU leather surface provides sleek and modern style, also prevents your smartphone from sliding;
5. With over-charge, over-voltage, over-temperature, over-current protection.

| | |
|---------------|------------------------|
| Model | T565-S |
| Material | PU; ABS |
| Interface | USB-C |
| Input | 12V-3.5A |
| Output | 25W (Max) |
| Product Size | / |
| Color | Black |
| Certification | MFi, Qi, FCC, CE, RoHS |



New Pre

Features

T568-S 16-Coil Dual Fast Wireless Charger



New Pre

1. Built-in 16 coils provide a wider charging area;
2. Charging two smartphones at the same time, compatible with AirPos 2;
3. Anti-slip PU leather surface provides sleek and modern style, also prevents your phone from sliding;
4. Type-C input to support high-speed input for fast wireless charging;
5. It supports three charging modes of 10W/7.5W/5W;
6. With over-charge, over-voltage, over-temperature, over-current protection.

| | |
|---------------|-------------------|
| Model | T568-S |
| Material | PU; ABS |
| Interface | USB-C |
| Input | 20V-2A |
| Output | 20W (Max) |
| Product Size | / |
| Color | Black |
| Certification | Qi, FCC, CE, RoHS |

Features

T569-S 3-in-1 Fast Wireless Charger Pad



Pre-sale

1. 3-in-1: Charge three Qi-enabled devices at the same time;
2. With 10W, 7.5W, 5W, 2.5W four charge modes;
3. Universal compatibility for the most Qi-enabled devices;
4. Featuring over charging, overheating, short-circuit and over current protection;
5. Built-in cooling fan safely cools down your devices while charging.

| | |
|---------------|--|
| Model | T569-S |
| Material | ABS+PC+Silicone+PU+Metal Weighted Base |
| Interface | USB-C |
| Coil | Three Coils |
| Input | 12V/4A (Max) |
| Output | Total Output 30W (Max) |
| Product Size | 244.8 x 89.8 x 22.1mm |
| Color | Black |
| Certification | ETL, RCM, FCC, CE, RoHS , PSE |

Wireless Charging Stand



10W Fast Wireless Charging Stand **Features**



 **Best seller**

1. Built-in 2 coils to allow you to charge the cellphone vertically or horizontally;
2. Provide you with more flexible choice for reading, listening to music, playing games, watching a video, etc;
3. Qi certified products. With over-charge, over-voltage, over-temperature, over-current protection;
4. It supports three charging modes of 10W/7.5W/5W.

| | |
|-----------------|---|
| Model | T524-S |
| Material | Anti-fire ABS |
| Interface | Micro USB |
| Input | 5V/2A, 9V/1.8A |
| Output | 10W(Compatible with 7.5W/5W) |
| Product Size | 121*82*75.5mm |
| Available Color | Black, Rose Gold, Gold, White, Dusty Blue |
| Certifications | CE, RoHS, FCC, Qi, ETL, RCM, PSE |

10W Fast Wireless Charging Stand **Features**



1. Six colors are available, and the color matches perfectly with the iPhone XR;
2. Built-in 2 coils allow you to charge the cellphone vertically or horizontally;
3. Provide you with more flexible choice for reading, listening to music, playing games, watching a video, etc;
4. With over-charge, over-voltage, over-temperature, over-current protection;
5. It supports three charging modes of 10W/7.5W/5W.

| | |
|-----------------|------------------------------------|
| Model | T555-S |
| Material | Anti-fire ABS |
| Interface | Micro USB |
| Input | 5V/2A, 9V/1.8A |
| Output | 10W(Compatible with 7.5W/5W) |
| Product Size | 118*82*76mm |
| Available Color | Black/White/Yellow/Blue/Red/Orange |
| Certifications | CE, RoHS, FCC, ETL, RCM, PSE |



Best seller at physical stores

15W Fast Wireless Charging Stand **Features**



 **Power up to 15W**
Brand spokesman

1. The maximum output power of this wireless charger is increased to 15W;
2. Built-in 2 coils allow you to charge the cellphone vertically or horizontally;
3. Provide you with more flexible choice for reading, listening to music, playing games, watching a video, etc;
4. With over-charge, over-voltage, over-temperature, over-current protection;
5. It supports 4 charging modes of 15W/10W/7.5W/5W.

| | |
|-----------------|---------------------------------|
| Model | T555-F |
| Material | Anti-fire ABS |
| Interface | Micro USB |
| Input | 5V-12V/2A |
| Output | 15W(Compatible with10W/7.5W/5W) |
| Product Size | 118*82*76mm |
| Available Color | Black/White |
| Certifications | CE, RoHS, FCC, ETL, RCM |

Wireless Car Charger



10W Fast Wireless Car Charger



Best seller
Stable design

Features

1. Easy operation, just press the button at the back and locks your phone into the holder, very safe and simple;
2. The dock can be firmly fixed on surfaces, ensuring steady position;
3. The car charger adds soft silicone to the phone clamp arms and foot support, helping to securely and safely hold your phone;
4. The telescopic arm can extend for a variety of optimal angles.

| | |
|-------------------|------------------------------|
| Model | T521-S |
| Material | PC+ABS |
| Interface | Type-C |
| Input | 5V/2A, 9V/1.8A |
| Output | 10W(Compatible with 7.5W/5W) |
| Phone Clamp Range | 60-102mm |
| Available Color | Black |
| Certifications | CE, FCC, RoHS, ETL, RCM |

10W Gravity Wireless Car Charger



Best seller in Europe
Gravity design

Features

1. Gravity linkage design enables you to operate with one hand, easy and simple;
2. The car charger adds soft silicone to the phone clamp arms and foot support, helping to securely and safely hold your phone;
3. Air vent mount or suction cup dock for your choice. If it's suction cup dock, the telescopic arm can be adjusted for a variety of optimal length and angles;
4. With over-charge, over-voltage, over-temperature, over-current protection.

| | |
|-------------------|------------------------------|
| Model | T536-S |
| Material | Anti-fire ABS |
| Interface | Micro USB |
| Input | 5V/2A, 9V/1.8A |
| Output | 10W(Compatible with 7.5W/5W) |
| Phone Clamp Range | 65-90mm |
| Available Color | Black+Silver, Black+Red |
| Certifications | CE, FCC, RoHS, ETL, RCM, PSE |

15W Fast Wireless Car Charger



Power up to 15W
Current Detection

Features

1. The maximum output power of this wireless charger is increased to 15W;
2. Adopt the new technology of current detection, intelligent identification clamping, you can operate with just one hand;
3. 360-degree rotation, air vent mount or suction cup dock for your choice;
4. The telescopic arm can be adjusted for a variety of optimal length and angles;
5. With over-charge, over-voltage, over-temperature, over-current protection.

| | |
|-------------------|---------------------------------|
| Model | T542-S |
| Material | Anti-fire ABS + aluminium alloy |
| Interface | Type-C |
| Input | 5V-12V/2A |
| Output | 15W(Compatible with10W/7.5W/5W) |
| Phone Clamp Range | 58-84mm |
| Available Color | Black |
| Certifications | CE, FCC, RoHS, ETL, RCM |

15W Wireless Car Charger



Features

1. Gravity linkage design enables you to operate with one hand, easy and simple;
2. The car charger adds soft silicone to the phone clamp arms and foot support, helping to securely and safely hold your phone;
3. Air vent mount or suction cup dock for your choice. If it's suction cup dock, the telescopic arm can be adjusted for a variety of optimal length and angles;
4. With over-charge, over-voltage, over-temperature, over-current protection.

| | |
|-------------------|--------------------------|
| Model | T546-F |
| Material | Anti-fire ABS + Silicone |
| Interface | USB-C |
| Input | 5V-12V/2A (Max) |
| Output | 15W (Max) |
| Phone Clamp Range | 60-90mm |
| Available Color | Black |
| Certifications | CE, FCC & RoHS, RCM |



New Arrival 2020.6.30

Wireless Charger for Apple Watch



MFi Wireless Charger for Apple Watch



Features

1. MFi certified product ensures safe charging;
2. Built in 900mAh battery capacity, it can fully charge Apple Watch twice;
3. Compatible with 1 /2 /3 /4/5 Apple Watch;
4. Pocket-size with a keychain, easy to carry;
5. With over-charge, over-voltage, over-temperature, over-current protection.

| | |
|-----------------|---|
| Model | T313 |
| Material | ABS+PC |
| Interface | Micro USB |
| Capacity | 900mAh |
| Input | 5V/1A |
| Output | 5V/0.4A |
| Product Size | 55*55*15mm |
| Available Color | White |
| Certifications | MFi(PPID:211915-0192) CE, FCC, RoHS PSE |

MFi Power Bank for Apple Watch



Features

1. MFi certified product ensures safe charging;
2. 5000mAh capacity can fully charge your Apple watch nearly 6 times;
3. While charging the Apple watch, it can also charge other USB devices;
4. Compatible with 1 /2 /3 /4 /5 Apple Watch;
5. Portable design allows you to put it into your travel bag easily.

| | |
|-----------------|--|
| Model | T315 |
| Material | ABS+PC |
| Interface | Micro-USB, USB |
| Capacity | 5000mAh |
| Input | 5V/2A |
| Output | 5V/1A(for Apple Watch); 5V/2.1A(for USB devices) |
| Product Size | 100*80*60mm |
| Available Color | Black |
| Certifications | MFi, FCC, CE, RoHS, PSE |

MFi 4-in-1 Multifunction Wireless Charging Dock



Features

1. MFi certified product ensures safe charging;
2. 4 in 1 design, can charge 4 Apple devices (mobile phone + earphone + Apple watch + other USB devices) at the same time;
3. Can provide wireless charging for Qi-enabled smartphones with charging power up to 10W;
4. With over-charge, over-voltage, over-temperature, over-current protection.

| | |
|-----------------|---|
| Model | T316 |
| Material | ABS+aluminium-alloy |
| Interface | USB-A , DC , Lightning |
| Input | DC 12V/3A |
| Output | 5V/1A (USB) ; 10W(Wireless Charging); 5W(for Apple Watch); 5V/2.1A(Lightning) |
| Product Size | 180*85*82mm |
| Available Color | Silvery + black |
| Certifications | MFi, CE, RoHS, FCC, PSE |

MFi Magnetic Charging Cable



Features

1. MFi certified magnetic charging cable;
2. Combines Magsafe technology with inductive charging, offering safe charging;
3. Holds the Apple Watch securely and firmly with strong absorption and magnet;
4. Provides an original charging speed;
5. 3 feet satisfies your most daily needs, especially for travel;
6. Built-in safeguards protect your devices against excessive current, over-voltage, short-circuit and high temperature.

| | |
|-----------------|---------------------|
| Model | T318 |
| Material | ABS+PC |
| Interface | USB-A |
| Input | 5V/1A (Max) |
| Output | 5W(Max) |
| Cable Length | 100mm/3.3ft |
| Available Color | White |
| Certifications | MFi, CE, FCC & RoHS |



New Arrival 2020.7.15

2-in-1 Phone Mount & Fast Wireless Charger



Features

1. 2-in-1 design, used as a wireless charger and mobile phone mount;
2. 360-degree free rotation, easy to watch video;
3. Good heat dissipation design;
4. Adopted high strength stretch spring to firmly clamp the phone/tablet to avoid falling off;
5. EVA + silicone pad double protection, can not only prevent sliding but also protect the desktop from scratch;
6. Earphone jack and charging jack are reserved at both ends to listen to music while charging. Phones that don't support wireless charging can also use this stand.

| | |
|-----------------------|---|
| Model | T548-S |
| Material | ABS chuck, PC, silica gel, electrical components, aluminum alloy support rod, PVC, PU leather |
| Interface | USB-A |
| Input | 5V/2A, 9V/1.8A |
| Output | 10W(Max) |
| Compatible Phone Size | 4.7-7" |
| Available Color | White |
| Certifications | CE, RoHS, FCC, ETL, RCM |



New Arrival

Wireless Charging Receiver



Features

1. Adopt intelligent control charging IC and WPC Ferrite of TI, to prevent your phone from overheating during charging, make your phone get charging safer and more stable;
2. Directly insert the magic tag into the mobile phone charging port to realize wireless charging;
3. Compact and lightweight without increasing additional weight to your phone .

| | |
|-----------|----------------------------|
| Model | WP-IP/WP-MICRO/WP-TYPEC |
| Interface | Lightning/Micro USB/Type-C |
| Input | 5V/1A |
| Output | 5V/1A |

USB Charger



3 Port USB Wall Charger with Digital Display



New Arrival

Features

1. 3 USB ports allow you to charge three devices simultaneously;
2. Digital display screen clearly shows real-time voltage and current;
3. Automatically detect and charge your device at up to 2.4A;
4. Featuring over-current, over-voltage, over-heating, over-charging and short circuit protection.

| | |
|-----------------|----------------------------------|
| Model | Q5009 |
| Material | Anti-fire ABS+PC, Fire rating V0 |
| Interface | 3 x USB-A |
| Input | 100~240V, 50/60Hz, 0.4A Max |
| Each USB Output | 5V/2.4A Max |
| Total Output | 5V/3.4A Max |
| Plug Available | UK |
| Certifications | CE, FCC, RoHS |

QC3.0 18W USB Charger



Hot

Features

1. QC3.0 fast charging technology, charging power up to 18W;
2. Built-in intelligent identification chip, it will intelligently match your device;
3. Made of 94V0 grade fireproof PC material, can resist high temperature and normal impact, ensuring long service life;
4. Compatible with most phones and tablets of major brands with USB-A interface;
5. Exquisite and small, easy to carry, travel without burden.

| | |
|----------------|---|
| Model | Q5003 |
| Material | Anti-fire ABS+PC, Fire rating V0 |
| Interface | USB-A |
| Input | AC 100-240V, 50/60Hz, 0.5A |
| Output | 3.6-6V~3A, 6-9V~2A, 9-12V~1.5A |
| Total Power | 18W(Max) |
| Plug Available | CN, US, JP, EU, AU, UK |
| Certifications | CE、 ETL、 FCC、 ROHS、 DOE VI、 CCC PSE、 SAA |

PD 18W USB-C Charger



Hot

Features

1. PD3.0 fast charging technology, the maximum power is up to 18W;
2. Built-in intelligent identification chip, it will intelligently match your device;
3. Compatible with most phones and tablets of major brands with USB-C interface;
4. Made of 94V0 grade fireproof PC material, can resist high temperature and normal impact, ensuring long service life;
5. Exquisite and small, easy to carry, travel without burden.

| | |
|----------------|---|
| Model | Q5004 |
| Material | Anti-fire ABS+PC, Fire rating V0 |
| Interface | Type-C |
| Input | AC 100-240V, 50/60Hz, 0.5A Max |
| Output | 5V~3A; 9V~2A; 12V~1.5A |
| Total Power | 18W(Max) |
| Plug Available | CN, US, JP, EU, AU, UK |
| Certifications | CE、 ETL、 FCC、 ROHS、 DOE VI、 CCC、 PSE、 SAA |

PD+QC 18W 2-Port Charger



Features

1. 1 USB-A port and 1 USB-C port allow you to charge three devices simultaneously;
2. PD + QC Fast Charging, the charging power up to 18W;
3. Charge your device 50% in half an hour;
4. Anti-slip fingerprint design, easy to plug and use;
5. Featuring over-current, over-voltage, over-heating, over-charging and short circuit protection.

| | |
|----------------|--|
| Model | Q6004 |
| Material | Anti-fire ABS+PC, Fire rating V0 |
| Interface | USB-C; USB-A |
| Input | AC 100-240V; 50/60Hz; 800mA |
| Output | USB-A Output: DC5V-3A,9V-2A,12V-1.5A USB-C Output: DC5V-3A,9V-2A,12V-1.5A |
| Total Power | 18W (Max) |
| Certifications | CCC |
| Plug Available | CN |

PD 30W USB-C Charger



Features

1. The USB-C port with PD 3.0 technology enables to charge phones, tablets, laptops and other USB-C device at up to 30W;
2. Compact size makes it ideal for home, office and vacations;
3. Featuring over-current, over-voltage, over-heating, over-charging and short circuit protection;
4. Super premium and durable material is against daily wear and tear for long time use.

| | |
|----------------|-------------------------------|
| Model | Q6005 |
| Material | Anti-fire ABS+PC |
| Interface | USB-C |
| Input | AC100-240V, 50/60Hz, 800mA |
| Output | DC5V-3A,9V-3A,15V-2A,20V-1.5A |
| Total Power | 30W(Max) |
| Certifications | ETL,3C,CE,FCC,ROHS,PSE |

PD 60W USB-C Charger



Features

1. PD3.0 fast charging technology, the maximum power output is 60W, can charge the MacBook at full speed;
2. Foldable plug gives it much smaller size, easy to carry;
3. Built-in intelligent identification chip, it will intelligently match your device;
4. Made of 94V0 grade fireproof PC material, can resist high temperature and normal impact, ensuring long service life.

| | |
|----------------|---|
| Model | Q4004 |
| Material | Anti-fire ABS+PC, Fire rating V0 |
| Interface | Type-C |
| Input | AC 100-240V, 50/60Hz, 1.5A Max |
| Output | DC 5V~3A, 9V~3A, 12V~3A, 15V~3A, 20V~3A |
| Total Power | 60W(Max) |
| Certifications | CE、 ETL、 FCC、 ROHS、 DOE VI、 CCC PSE、 SAA |
| Plug Available | CN, US, JP, EU, AU, UK |

PD 65W GaN Mini Fast Charger



 **New Arrival**

Features

1. PD 65W : Fully charge MacBook in just 2 hours; fully compatible with PD devices;
2. GaN Tech: Makes the charger smaller faster cooler and safer, greater than traditional silicon chargers;
3. Extremely Compact: 35% smaller than Apple 61W Adapter;
4. Dual Charging: Juice up 2 devices simultaneously; USB-C and USB-A port share a total 57W output;
5. TUV Safety Certified: Built-in safeguards protect your devices against excessive current, over-heating, over-voltage, short-circuit and fire.

| | |
|----------------|---|
| Model | PD8002 |
| Material | Anti-fire ABS+PC |
| Interface | 1 x USB-C;1 x USB -A |
| Input | AC 100-240V 50/60Hz 1.4A (Max) |
| Output | USB-C: DC 5V-2.4A, 9V-3A,12V-3A,15V-3A,20V-3.25A (65W Max) USB-A: DC 5V-2.4A (12W Max) |
| Total Power | 65W (Max) |
| Protocol | PD3.0 QC3.0 Apple-2.4A |
| Certifications | TUV, CE, FCC, ROHS, PSE,DOC IV |

PD 100W GaN Dual USB-C Charger



 **New Arrival**

Features

1. PD 100W : Fully charge MacBook within 2 hours; fully compatible with PD devices;
2. GaN Tech: Makes the charger smaller faster cooler and safer, greater than traditional silicon chargers;
3. Super Compact: 30% smaller than Apple 96W Adapter ;
4. Dual USB-C: Quick charge 2 laptops simultaneously;
5. TUV Safety Certified: Built-in safeguards protect your devices against excessive current, over-heating, over-voltage, short-circuit and fire.

| | |
|----------------|--|
| Model | PD6008 |
| Material | Anti-fire ABS+PC |
| Interface | 2 x USB-C |
| Input | AC 100-240V 50/60Hz 2.5A (Max) |
| Output | USB-C 1: DC 5V-3A, 9V-3A,12V-3A,15V-3A,20V-5A(100W Max) USB-C 2: DC 5V-3A, 9V-3A,12V-3A,15V-3A,20V-5A(100W Max) |
| Total Power | 100W (Max) |
| Protocol | PD3.0 QC3.0 Apple-2.4A |
| Certifications | TUV, CE, FCC, ROHS, PSE, DOC IV |
| Available Plug | US/JP/CN/EU/UK |

5A Super Fast Charger



Features

1. Huawei SCP, FCP, QC3.0 and Samsung AFC fast charging technology, charging power up to 22.5W;
2. Compatible with most phones and tablets of major brands with universal USB-A interface;
3. Foldable plug gives it much smaller size, easy to carry;
4. Built-in protection against over-charging, over-heating and short-circuit will guard the safety of your device.

| Model | Q5001 (TC-035SCP) |
|----------------|------------------------------------|
| Material | Anti-fire ABS+PC, Fire rating V0 |
| Interface | USB-A |
| Input | AC 100-240V, 50/60Hz, 800mA |
| Output | DC 5V~3A, 9V~2A, 12V~1.5A, 5V~4.5A |
| Total Power | 22.5W(Max) |
| Certifications | CCC, CE, RoHs |
| Plug Available | CN,EU, UK |

36W USB-C + QC 3.0 USB Charger



 **New Arrival**

Features

1. The 2-port charger with total power of 36W, supports charging 2 devices simultaneously;
2. The USB-C port is equipped with power delivery(PD) technology, capable of charging USB-C compatible devices at up to 18W;
3. QC3.0 fast charging technology, charging power up to 18W;
4. With over-charge, over-voltage, over-temperature, over-current protection;
5. Exquisite and small, easy to carry, travel without burden.

| Model | PD5001 |
|----------------|--|
| Material | Anti-fire ABS+PC |
| Interface | USB-A+USB-C |
| Input | AC 100-240V ~ 50/60Hz 1.1A Max |
| Output | USB-C (PD 2.0): 5V/3A; 9V/2A; 12V/1.5A 18W Max USB-A (QC 3.0): 5V/3A,9V/2A,12V/1.5A 18W Max |
| Total Power | 36W(Max) |
| Plug Available | US, EU |
| Certifications | CE、 FCC、 ROHS |

PD 72W 4-Port Desktop Charger



Features

1. The USB-C port with PD technology, capable of charging your Macbook at full speed and other USB-C compatible devices at up to 60W(max.);
2. The USB-C is certified USB-IF and UL(**USB-IF TID:1600067, UL E472287**);
3. 4 Ports pump out 72W of total power, enabling simultaneous multi-device charging;
4. With over-charge, over-voltage, over-temperature, over-current protection.

| | |
|----------------|--|
| Model | PD72-1C3U |
| Interface | 1xUSB-C (PD)+ 3xUSB-A |
| Input | AC 100V-240V 50/60Hz 1.5A |
| Output | USB-C : 5V-3A,9V-3A,12V-3A,15V-3A,20V-3A USB-A*3: Total 5V-2.4A(Max) (2.4A Max Each) Total: 72W(Max) |
| Certifications | UL, USB-IF, CE, FCC, RoHS, VI |
| Plug Available | US, UK, EU |

QC 3.0 6-Port Charging Station

Features

1. 6 port charging station come with 6 short cables, which allows you to charge six devices simultaneously;
2. Charging speed is 4 times as fast as normal charger with a QC3.0 port;
3. Charging Station is compatible with most of USB devices;
4. Removable transparent holder design, easy to install and carry.



| | |
|--------------|--|
| Model | Q3008 |
| Material | Anti-fire ABS + PC |
| Interface | 6*USB,1*DC |
| Input | AC 100V~240V, 50-60Hz |
| Output | QC3.0: 5V/3A, 9V/2A, 12V/1.5A , 18W Another 5 USB Port Output: DC5V 9A,45W DC: 5V 9A,45W |
| Product Size | 160*122*70mm |
| Color | Black |
| Length | Power Charging Cable Length: 1.5m; USB Cable Length: 175mm |

QC3.0 + PD18W Car Charger



Features

1. Features both Quick Charge 3.0 and USB-C charging ports in one charger;
2. Two ports work simultaneously with powerful total output up to 36W;
3. It will intelligently distribute current while charging multiple digital products;
4. Small size makes it easy to carry.

| | |
|-----------------|---|
| Model | TC0005 |
| Interface | USB-A, USB-C |
| Input | DC 12V-24V |
| Output | Type-C : 5V-3A,9V-2A, 12V-1.5A QC 3.0 : 3.6-6V/2A,6-9V/2A,9-12V/1.5A |
| Certifications | CE, FCC, RoHs, ETL, RCM, EMC, Qualcomm® Quick Charge™ 3.0 |
| Available Color | Black |

QC 3.0 Dual Ports 36W Car Charger



 **New Arrival**

Features

1. QC 3.0 technology supports up to 4x faster charging than other conventional car chargers;
2. Quick charge 2 devices simultaneously, perfect for on the go;
3. With over-charge, over-voltage, over-temperature, over-current protection.

| | |
|-----------------|---|
| Model | C0051-V5 |
| Interface | 2 x USB-A |
| Input | DC 12-24V |
| Output | USB-A(QC3.0)x2: 3.6-6V/3A |
| Certifications | CE, FCC, ROHS , ETL |
| Protocol | QC3.0/Apple-2.4A/QC2.0/Samsung-AFC-9V/Huawei-FCP-9V |
| Material | V0 Anti-fire PC |
| Available Color | Black |

5V3.1A Dual Ports Car Charger



 **New Arrival 2020.6.15**

Features

1. The charging power is up to 15W ;
2. Supports 2 devices simultaneously, perfect for on the go;
3. With APPLE 2.4A Protocol, provides fast charging to Apple devices;
4. With over-charge, over-voltage, over-temperature, over-current protection.

| | |
|-----------------|---|
| Model | C0053 |
| Interface | 2 x USB-A |
| Input | DC12-24V |
| Output | USB-A 1: 5V-2.4A (Max); USB-A 2: 5V-2.4A (Max) |
| Certifications | CE, FCC, ROHS , ETL |
| Protocol | Apple-2.4A |
| Material | Anti-fire V0 PC |
| Available Color | Black |

Dual PD 36W Car Charger



Features

1. Dual Charging: Twin USB-C PD ports allow you to charge two devices simultaneously;
2. Highly Efficient: 18W output from each port boosts charging speed and the total power up to 36W;
3. Universal Compatibility: Compatible with almost devices with USB-C port.

| | |
|-----------------|--|
| Model | C0054 |
| Interface | USB-C, USB-C |
| Input | DC 12V-24V |
| Output | 5V=2.4A,9V=2A,12V=1.5A 5V=2.4A,9V=2A,12V=1.5A |
| Certifications | FCC,CE, RoHS |
| Protocol | PD3.0, QC3.0, QC2.0, Apple-2.4A |
| Material | Zinc Alloy |
| Available Color | Black |

Features

Dual USB-C Fast Car Charger



1. Dual Charging: Twin USB-C PD ports allow you to charge two devices simultaneously;
2. Highly Efficient: 18W output from each port boosts charging speed and the total power up to 36W;
3. Universal Compatibility: Compatible with almost devices with USB-C port;
4. Superior Safety: Protect your devices completely against over-current, over-charging, over-heating short circuit.

| | |
|-----------------|---|
| Model | TC0008 |
| Material | V0 Anti-fire PC |
| Interface | 2 x USB-C |
| Input | DC 12-24V |
| Output | USB-C(PD3.0)x2: 5V/3A, 9V/2A, 12V/1.5A |
| Certification | CE, FCC, ROHS , ETL |
| Protocol | Type-C: PD3.0/Apple-2.4A/QC3.0/QC2.0/Samsung-AFC-9V/Huawei-FCP-9V |
| Available Color | Black |



New Arrival 2020.6.22

14W Foldable Solar Charger



Features

1. High efficiency solar charger with energy conversion rate up to 24%;
2. The USB port can provide charging current up to 2.4A Max under direct sunlight;
3. Works for most USB devices such as smartphones, tablets, power banks and more;
4. Says goodbye to power sockets and embrace the power of the sun! Energy-saving and environmentally friendly;
5. Constructed with four solar panels with waterproof nylon, this solar charger offers weather-resistant outdoor durability.

| | |
|----------------------------|--|
| Model | SC004 |
| Material | Waterproof Nylon +Sunpower Solar Panel |
| Interface | 1*USB-A |
| Output | 5V-2.4A (Max) |
| Total Power | 14W(Max) |
| Energy Conversion Rate | 21-24% |
| Product Size (Opened Size) | 660 * 148 * 31mm |
| Product Size (Closed Size) | 148 * 153 * 54mm |
| Certifications | CE, FCC & RoHS |

19W Foldable Solar Charger

Features

1. Two USB ports provide enough power and allow to charge two devices simultaneously;
2. 1/3 lighter than the same power of solar silicon. The total power increased by 1/3 in comparison with the same solar panel size;
3. PET portable folding solar plate is perfect choice for outdoor activities.



| | |
|----------------|--|
| Model | SC001 |
| Material | Polyester canvas +Sunpower Solar Panel |
| Interface | 2 x USB A port |
| Output | 5V/2.4A |
| Total Power | 19W |
| Opened Size | 530 x 260mm |
| Closed Size | 260 x 160 x 17mm |
| Certifications | CE, PSE, RoHS |

22W Foldable Solar Charger



Features

1. Energy conversion rate up to 24%, and two individual USB ports will intelligently detect and charge two USB devices simultaneously;
2. Built-in EVA construction, along with PET + TPT material, this solar charger is weather-proof, and ultraviolet-proof;
3. Premium material makes the solar charger not easy to break off, splash-resistant, anti-scratch, durable for long-term use;
4. Pockets can hold gadgets, 2 carabiners help you attach the solar charger to backpack easily. The solar charger can be folded as a briefcase for easy carry everywhere.

| | |
|----------------------------|---|
| Model | SC005 |
| Material | PET Solar Panels+Built-in EVA+Solar Cell+TPT+Waterproof Cloth |
| Interface | 2*USB-A |
| Output | USB1: 5V/2.1A(Max) USB2: 5V/2.4A(Max) |
| Total Power | 22W(Max) |
| Energy Conversion Rate | 21-24% |
| Product Size (Opened Size) | 245x160x30mm |
| Product Size (Closed Size) | 820x245x3mm |
| Certifications | CE, FCC, RoHS |

80W Foldable Solar Charger



Features

1. 80W Easy-taking and folding Solar Charger;
2. PD & QC 3.0 Fast Charging with Triple-USB Ports;
3. Make from IP×4 Extra-Wateproof;
4. Perfect for outdoor activities, such as camping, cycling,biking.

| | |
|------------------------|--|
| Model | SC007 |
| Interface | 1 x DC , 1 x USB-C , 2 x USB-A |
| Energy Conversion Rate | 20% |
| Output | DC: 12-18V/4.44A USB-C: PD30W USB-A1: QC3.0 18W USB-A2: 5V-2.4A |
| Folded Size | 410mm x 360mm x 2.7mm |
| Unfolded Size | 1580mmx410mmx 4.6mm |
| Material | PET Solar Panels+Built-in EVA+Solar Cell+TPT+Waterproof Cloth |
| Certifications | CE, FCC, RoHS |

120W Foldable Solar Charger



1. 120W Easy-taking and folding Solar Charger;
2. PD & QC 3.0 Fast Charging with Triple-USB Ports;
3. PD 60W/12W/18W ports support to charge your phone/ipad; And the 120W DC port supports to charge the portable power station;
4. Make from IP×4 Extra-Wateproof;
5. Perfect for outdoor activities, such as camping, cycling,biking.

| | |
|-----------------|--|
| Model | SC008 |
| Interface | 1 x DC, 1 x USB-C,2 x USB-A |
| Output&Protocol | DC Output: 12-18V/6.66A (120W Max) USB-C (PD3.0 60W Max): 5V-3A,9V-3A,12V-3A,15V-3A,20V-3A QC Fast Charge (QC3.0 18W Max) : 5V-3A,9V-2A,12V-1.5A Protocol: QC3.0、 QC2.0、 Apple-2.4A、 Samsung-AFC-9V、 Huawei-FCP-9V USB-A2 (12W Max) : 5V-2.4A Protocol: Apple-2.4A |
| Size | Unfolded Size: 177x53x0.54cm; Folded Size: 53x52x1.9cm |
| Material | monocrystalline silicon, solar energy conversion efficiency21-23% Oxford PVC waterproof fabric, waterproof grade IPX4 |
| Color | Black |
| Certifications | CE, FCC & RoHS |

100W Foldable Solar Charger



 Pre-sale 2020.8.15

Features

1. DC 100W Output fits perfectly with most solar generator and portable power station;
2. 3 USB charging ports intelligently detect and maximize charging speed with advanced power delivery 3.0 and Quick Charge 3.0.
3. 20%~23.5% conversion efficiency generates endless power and performs better than conventional panels in full sun;
4. Foldable design and waterproof nylon make it ideally suited for the outdoor activities such as camping, climbing, hiking even unexpected power outages;
5. Built-in over-charging, over-heating and short-circuit protection.

| Model | SC009 |
|----------------|---|
| Interface | 1 x DC, 1 x USB-C, 2 x USB-A |
| Total Output | 100W (Max) |
| DC Output | 12-18V/5.55A (Max) |
| USB-A1 Output | 5V/3A, 9V/2A, 12V/1.5A (Max) |
| USB-A2 Output | 5V/2.4A (Max) |
| USB-C Output | 5V/3A, 9V/3A, 12V/3A, 15V/3A, 20V/2.25A (Max) |
| Folded Size | 505 x 370 x 37mm |
| Unfolded Size | 1700 x 370 x 4.7mm |
| Net Weight | 4.15kg |
| Color | Black |
| Certifications | CE, FCC & RoHS |

Power Bank



10000mAh PD+QC 18W Power Bank



Features

1. Type-C interface supports two-way fast charging, with power up to 18W;
2. Support PD3.0+QC3.0 fast charging, can intelligently fast charge two devices simultaneously;
3. 10000mAh large capacity can charge iPhone 11 twice or Samsung Galaxy S10+ twice;
4. Smooth body with premium material makes it easier to hold in one hand, exquisite, more resistant to abrasion and scratch;
5. With over-charge, over-voltage, over-temperature, over-current protection, meet the civil aviation carrying standards, can be safely carried on the aircraft.

| | |
|-----------------|---|
| Model | B627 |
| Material | Anti-fire ABS + PC |
| Interface | Type-C, USB-A, Micro USB |
| Capacity | 10000mAh/37Wh |
| Input | Micro USB: DC5V/2A 9V/2A Type-C: DC5V/3A 9V/2A 12V/1.5A |
| Output | Type-C: DC5V/3A 9V/2A 12V/1.5A USB-A:DC5V/3A 9V/2A 12/1.5A Total Power: 18W |
| Available Color | Black |
| Product Size | 135*67*13mm |
| Certifications | FCC, CE, RoHS, PSE |

10000mAh PD+QC 18W Power Bank



 Replacement
2020.7.15

Features

1. Type-C interface supports two-way fast charging, with power up to 18W;
2. Support PD3.0+QC3.0 fast charging, can intelligently fast charge two devices simultaneously;
3. 10000mAh large capacity can charge iPhone 11 twice or Samsung Galaxy S10+ twice;
4. Smooth body with premium material makes it easier to hold in one hand, exquisite, more resistant to abrasion and scratch;
5. With over-charge, over-voltage, over-temperature, over-current protection, meet the civil aviation carrying standards, can be safely carried on the aircraft.

| | |
|-----------------|---|
| Model | B627-V2 |
| Material | Anti-fire ABS + PC |
| Interface | Type-C, USB-A, Micro USB |
| Capacity | 10000mAh/37Wh |
| Input | Micro USB: DC5V/2A 9V/2A Type-C: DC5V/3A 9V/2A 12V/1.5A |
| Output | Type-C: DC5V/3A 9V/2A 12V/1.5A USB-A:DC5V/3A 9V/2A 12/1.5A Total Power: 18W |
| Available Color | Black |
| Product Size | 135*67*13mm |
| Certifications | FCC, CE, RoHS, PSE |

20000mAh PD45W Power Bank



Features

1. The built-in USB-C port with Power Delivery technology allows you to fast charge your computers at up to 45W;
2. 20000mAh huge capacity can charge iPhone 11 for 3 times;
3. It can fast charge USB-A and USB-C devices at the same time;
4. With over-charge, over-voltage, over-temperature, over-current protection, meet the civil aviation carrying standards, can be safely carried on the aircraft.

| | |
|-----------------|--|
| Model | B626 |
| Material | Anti-fire ABS + PC |
| Interface | Micro USB, Type C, 2*USB-A |
| Capacity | 20000mAh/72Wh |
| Input | Micro USB: DC 5V/2A ; Type C(PD 2.0): DC 5V/3A, 9V/2A, 15V/2A, 20V/1.5A 30W(Max) |
| Output | USB-A: DC 5V/2.4A(Single) DC 5V/3.4A(Total) Type C(PD 2.0): DC 5V/3A, 9V/3A, 12V/3A, 15V/3A, 20V/2.25A 45W(Max) |
| Available Color | Black |
| Product Size | 80*22*185mm |
| Protocol | USB-A Port: Apple-2.4A; Type C Port: PD 2.0 |
| Certifications | CE, FCC, RoHS, TUV |

B634 PD100W 26800mAh Metal Power Bank



 **New Arrival**

Features

1. Unrivalled Power: Providing enormous 100W charging for MacBook or other devices with Power Delivery;
2. Extreme Capacity: With 26800mAh high capacity, this power bank can fully charges most laptops or tablets multiple times;
3. Comprehensive Compatibility: Optimized for flawless performance with USB-A and USB-C phones, tablets, laptops, and more;
4. Aluminum alloy shell strengthens heat dissipation.

| Model | B634 |
|----------------|--|
| Interface | 1 x USB-C Input , 1 x USB-C Output , 2 x USB-A Output |
| Capacity | 26800mAh |
| Input | USB-C (PD3.0 60W): 5V-3A,9V-3A,12V-3A,15V-3A,20V-3A |
| Output | USB-C (PD3.0 100W): 5V-3A,9V-3A,12V-3A,15V-3A,20V-5A USB-A1/A2(QC3.0 18W): 5V-3A,9V-2A,12V-1.5A USB A1+A2: 5V-3.4A Max |
| Protocol | PD3.0 QC3.0 Apple-2.4A FCP AFC |
| Material | Aluminum alloy shell |
| Color | Black |
| Certifications | TUV, CE, FCC, ROHS, PSE |

10000mAh MFI PD18W Power Bank (with cable)



 **New Arrival**

Features

1. MFi-certified Lightning cable makes sure to work with your Apple devices;
2. Powerful Lightning output fast charges your iPhone at up to 18W;
3. Powerful USB-C output fast charges your USB-C devices at up to 18W;
4. Built-in USB-C & Lightning cable makes it convenient for carrying outside;
5. 10000mAh large capacity satisfies your demands for charging.

| Model | B688 |
|----------------|--|
| Interface | 1xUSB-C Input , 1x USB-C Output , 1 x Lightning Output |
| Capacity | 10000mAh |
| Battery Type | 1 x lithium polymer battery |
| Input | USB-C (QC3.0 18W): 5V-3A,9V-2A |
| Output | USB-C (QC3.0/FCP/AFC 18W):5V-3A,9V-2A,12V-1.5A Lightning (PD3.0 18W):5V-3A,9V-2A USB-C + Lightning : 5V-3A Max |
| Protocol | PD3.0 QC3.0 Apple-2.4A FCP AFC |
| Material | ABS+PC, V0 Anti-fire |
| Color | Black |
| Certifications | ETL, CE, FCC, ROHS, PSE, MFI |

Features

B650 10000mAh PD18W Power Bank with 10W Wireless Charger

1. Combine wireless charging technology with mobile power bank;
2. 10000mAh large capacity is perfect for your daily use and travel;
3. Charging your iPhone 8 - iPhone11 to 50% in half hour;
4. Support wired and wireless charging simultaneously for added convenience;
5. To charge your device via USB-C (PD 3.0 & QC 3.0) or USB-A (QC 3.0) port;
6. Compatible with Qi-enabled phones for wireless charging.



Pre-sale 2020.7.15

| | |
|----------------|--|
| Model | B650 |
| Interface | 1xType-C, 1xUSB-A, 1xMicro USB |
| Capacity | 10000mAh/37Wh/3.7V |
| Battery Type | Polymer Batteries: Grinder 10000mAh |
| Input | Micro USB (QC2.0): DC5V/2.4A 9V/2A Type-C (PD3.0&QC3.0): DC5V/2.4A 9V/2A |
| Output | Type-C(PD3.0&QC3.0): DC5V/3A 9V/2A 12V/1.5A USB-A(QC3.0):DC5V/3A 9V/2A 12V/1.5A Wireless Charger : 10W |
| Protocol | Input Protocol : Micro USB : QC2.0 18W Type-C: PD3.0&QC3.0 18W Output Protocol : USB-A: QC3.0/QC2.0 / Apple 2.4A ; Samsung-AFC ;Huawei-FCP Type-C: PD3.0/ QC3.0/ QC2.0/ Apple 2.4A/ Samsung-AFC-9V /Huawei-FCP-9V Wireless Charger: Qi协议 |
| Material/Color | V0 Anti-fire PC / Black |
| Certification | FCC, CE, RoHS, PSE |

Features

215Wh Portable Power Station



New Arrival

1. **Enormous Capacity:** 215Wh high capacity is powerful enough to satisfy different kinds of electricity demands, ranging from home, office to camping or other long road trips;
2. **Multiple Outputs:** The Portable power station pumps out power to charge electrical appliances through a AC outlet, a DC outlet, two USB QC3.0 ports and a Type-C PD port;
3. **Recharged by 3 methods:** The power station's battery is easily replenished via a efficient solar panel or AC wall outlet or a car port in 6 hours;
4. **Superior Safety:** Multi-protection guarantees your devices safe with temperature control, surge protection, overload and short-circuit prevention;
5. **Compact and Handy:** The battery charger lets you charge your AC or USB-compatible devices when you need them most, providing outdoor enthusiasts with on-the-go power.

| | |
|------------------|---------------------------------------|
| Model | BS001 |
| Interface | 1 x Type-C, 2 x USB-A, 2 x DC, 1 x AC |
| Battery Capacity | 58000mAh/214.6Wh |
| LED Light Power | 2W |
| Input | Solar: 18V-24V/4A DC: 18V/3.5A |
| Output | AC: 100V~60Hz 150W (Max) |
| | DC: 12V/4A (Max) |
| | USB 1: 5V/3A, 9V/2A, 12V/1.5A (Max) |
| | USB 2: 5V/3A, 9V/2A, 12V/1.5A (Max) |
| | USB 1+USB 2 : 5V/3A (Max) |
| | Type-C: 5V/3A, 9V/2A, 12V/1.5A (Max) |



High Definition Adapter & Cable

USB-C to HDMI Adapter



Features

1. Gold-plated connector, it supports the resolution up to 4K (3840x2160) at 60Hz;
2. Perfectly works with USB-C port devices with DP Alt mode;
3. Support video and audio output; Mirror mode and extend mode are available;
4. Lightweight and portable, plug and play, suitable for business and travel use.

| | |
|-----------------|-----------------------------------|
| Model | HUB-H04 |
| Material | PVC Shell + Gold-plated Connector |
| Interface | USB Type-C,HDMI |
| Resolution | 4K(3840x2160)@60Hz |
| Protocol | DP Alt Mode |
| Available Color | Black |
| Certification | CE, FCC & RoHS |

USB-C to HDMI Adapter (Coaxial Cable)



Features

1. Braid shielding+gold-plated connector+aluminum housing ensures maximum conductivity and durability;
2. The cable supports resolutions up to 4Kx2K(3840x2160) @60Hz;
3. Perfectly works with USB-C port devices with DP Alt mode;
4. Support video and audio output; Mirror mode and extend mode are available;
5. Lightweight and portable, plug and play, suitable for business and travel use.

| | |
|-----------------|--|
| Model | HUB-H10 |
| Material | Braid Shielding+Gold-plated Connector+Aluminum Housing |
| Interface | USB C, HDMI |
| Resolution | 4K(3840x2160)@60Hz |
| Protocol | DP Alt Mode |
| Available Color | Space Gray |
| Cable Length | 0.2m |
| Certification | CE, FCC & RoHS |

USB-C to DisplayPort Adapter (Coaxial Cable)



Features

1. Braid shielding+gold-plated connector+aluminum housing ensures maximum conductivity and durability;
2. The cable supports resolutions up to 4Kx2K(3840x2160) @60Hz;
3. Perfectly works with USB-C port devices with DP Alt mode;
4. Support video and audio output; Mirror mode and extend mode are available;
5. Lightweight and portable, plug and play, suitable for business and travel use.

| | |
|-----------------|--|
| Model | HUB-H11 |
| Material | Braid shielding+gold-plated connector+aluminum |
| Interface | USB Type-C, DisplayPort |
| Resolution | 4Kx2K(3840x2160)@60Hz |
| Protocol | DP Alt Mode |
| Cable Length | 0.2m |
| Available Color | Space Gray |
| Certification | CE, FCC & RoHS |

USB C to RJ45 Adapter



Features

1. Support USB 3.1 data transfer rate of up to 5Gbps for 10/100/1000 Mbps Ethernet networks;
2. Perfectly works with USB-C port devices with DP Alt mode;
3. Lightweight and portable, plug and play, suitable for business and travel use.

| | |
|-----------------|---------------------------------------|
| Model | HUB-R01 |
| Material | Plastic case, nickel-plated connector |
| Interface | USB 3.1 Gen 1 Type-C, RJ45 |
| Network Speed | 10M/100/1000Mbps |
| Protocol | DP Alt Mode |
| Available Color | Black |
| Certification | CE, FCC & RoHS |

USB-C to VGA Adapter



Features

1. VGA video resolution support up to 1920 x 1200 and 1080p (Full HD) for compatibility with most displays, monitors and projectors with VGA;
2. Perfectly works with USB-C port devices with DP Alt mode;
3. Support video and audio output; Mirror mode and extend mode are available;
4. Lightweight and portable, plug and play, suitable for business and travel use.

| | |
|-----------------|---|
| Model | HUB-V01 |
| Material | Aluminum Alloy Shell + Gold-plated Connector |
| Interface | USB Type-C, VGA |
| Resolution | 1080p@60Hz, backward compatible with 1080p@30Hz, 720p |
| Protocol | DP Alt Mode |
| Available Color | Black |
| Certification | CE, FCC & RoHS |

USB-C to Mini DP Adapter



Features

1. Gold-plated connector+aluminum shell make it corrosion-resistant and durable;
2. Supports resolutions up to 4Kx2K(3840x2160) @60Hz;
3. PD charging port supports 60W maximum power, providing a long-term viewing experience;
4. Perfectly works with USB-C port devices with DP Alt mode;
5. Lightweight and portable, plug and play, suitable for business and travel use.

| | |
|-----------------|--------------------------------------|
| Model | HUB-M06 |
| Material | Gold-plated connector+aluminum shell |
| Interface | USB C, Mini DP, USB-C PD |
| Charging Speed | PD 60W(Max) |
| Resolution | 4K(3840x2160)@60Hz |
| Protocol | DP Alt Mode |
| Available Color | Silver |
| Certification | CE, FCC & RoHS |

USB-C to HDMI + PD Adapter



Features

1. Supports resolutions up to 4Kx2K(3840x2160) @60Hz;
2. USB-C port delivers up to 20V/3A (PD 60W) power for your devices while displaying video;
3. Perfectly works with USB-C port devices with DP Alt mode;
4. Support video and audio output; Mirror mode and extend mode are available;
5. Lightweight and portable, plug and play, suitable for business and travel use.

| | |
|-----------------|--|
| Model | HUB-M03 |
| Material | Aluminum Alloy Shell + Gold-plated Connector |
| Interface | USB Type-C, HDMI, USB Type-C PD(Female) |
| Charging Speed | 20V/3A (PD 60W Max) |
| Resolution | 4K(3840x2160)@60Hz |
| Protocol | DP Alt Mode |
| Available Color | Black |
| Certification | CE, FCC & RoHS |

USB-C to HDMI + VGA Adapter



Features

1. HDMI port can provide maximum resolution up to 4K@30Hz;
2. VGA port can provide maximum resolution up to 1080p@60Hz;
3. Support HDMI and VGA output video at the same time;
4. Perfectly works with USB-C port devices with DP Alt mode.

| | |
|-----------------|--|
| Model | HUB-M17 |
| Material | Aluminum Alloy Shell + Gold-plated Connector |
| Interface | USB-C, HDMI, VGA |
| Resolution | HDMI: 4K@30Hz VGA: 1080p@60Hz |
| Available Color | Black |
| Protocol | DP Alt Mode |
| Certification | CE, FCC & RoHS |

4-In-1 USB-C to HDMI Adapter



Features

1. Multifunction adapter, support HDMI, Aux, USB2.0 data transfer, USB-C PD charging;
2. HDMI resolution is up to 4K@60Hz(only 2K@60Hz are available on 2018 iPad Pro);
3. USB-C port can provide maximum charging power up to 60W;
4. Perfectly works with USB-C port devices with DP Alt mode;
5. LED indicator light display, convenient and intelligent;
5. Light and portable, very suitable for iPad and mobile phone users.

| Model | HUB-M13 |
|----------------------------|--|
| Interface | Type-C Male, Type-C Female, HDMI, Audio, USB-A |
| Material | Aluminium alloy+ABS |
| HDMI Resolution | 4K@60Hz |
| Data Transmission(USB 2.0) | 480 Mbps |
| Type-C (PD 3.0) | Charging Speed: 60W(Max) Data Transmission: 480Mbps |
| Protocol | DP Alt Mode |
| Certification | CE, FCC & RoHS |
| Support system | iOS 12 ,Apple OS X Yosemite、 Apple OS El Capitan、 Windows 10、 Google Chrome OS, etc |

4-In-1 USB-C to RJ45 Adapter



Features

1. Small size, can connect up to 3 USB devices and a network cable at the same time;
2. USB 3.0 data transmission speed up to 5Gbps, backwards compatible with usb2.0/1.1;
3. RJ45 port can provide up to 1Gbps ultra-high network speed, stable and fast;
4. Perfectly works with USB-C port devices with DP Alt mode.

| | |
|--------------------------|--|
| Model | HUB-U02 |
| Material | Aluminum Alloy Shell + Gold-plated Connector |
| Interface | USB C, 3xUSB A, RJ45 |
| Data Transmission(USB-A) | 5Gbps |
| Network Speed | 1Gbps |
| Protocol | DP Alt Mode |
| Available Color | Black |
| Certification | CE, FCC & RoHS |

5-In-1 USB-C to HDMI Adapter



Features

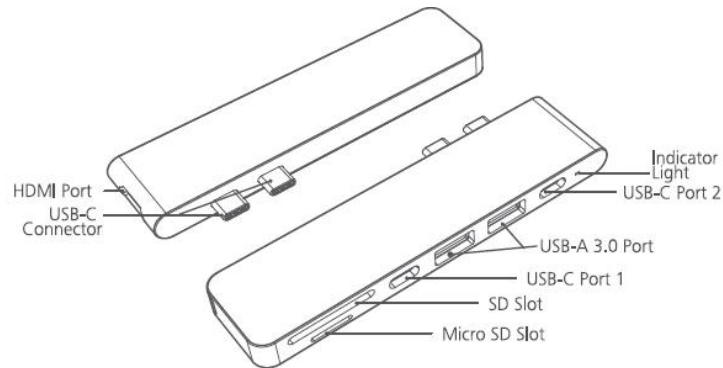
1. Multifunction adapter, support HDMI, USB3.0 data transmission, SD/TF card;
2. HDMI supports maximum resolution up to 4k@30Hz;
3. Support dual USB 3.0 output, data transmission speed up to 5Gbps;
4. Support TF/SD card;
5. Perfectly works with USB-C port devices with DP Alt mode.

| | |
|--------------------------|---|
| Model | HUB-M18 |
| Material | Aluminum Alloy Shell |
| Interface | 1xHDMI, 2xUSB 3.0, 1xSD, 1xTF, 1xUSB-C Male |
| Data Transmission(USB-A) | 5Gbps |
| HDMI Resolution | 4k@30Hz |
| Protocol | DP Alt mode |
| Available Color | Silver |
| Certification | CE, FCC & RoHS |

Features

1. Specifically designed for MacBook Pro 2019/2018/2017/2016 13 inches and 15 inches, MacBook Air 2019/2018;
- 2.7 in 1: Including 2 USB-C and 2 USB 3.0 ports, a HDMI port, a Micro SD card reader and a SD card reader;
3. USB-C Port 1: Support super speed data transfer of up to 5Gbps (5120Mbps);
4. USB-C Port 2: Thunderbolt 3 mode supports up to 100W power delivery (PD) and 40Gbps data transfer.
5. HDMI Port: 4K HD video transfer for excellent game/movie/football match visual experience.

7-In-1 USB-C Multiport Adapter



| | |
|-----------------|--|
| Model | HUB-M14 |
| Material | Aluminum Alloy |
| Interface | Male: 2*USB-C; Female: HDMI, TF, SD, 2*USB-C, 2*USB 3.0 |
| Resolution | HDMI: 4K@30Hz |
| USB 3.0 | 5Gbps(Max.) |
| USB-C | Thunderbolt 3 Mode: Support 40 Gbps, 5K 60Hz, PD 87W USB-C Mode: Support 5Gbps data, PD 87W |
| Available Color | Space Grey |
| Protocol | DP Alt Mode |
| Certification | CE, FCC & RoHS |

9-In-1 USB-C Multiport Adapter



Features

1. Massive Expansion: Transform 1 USB-C port into 1 4K HDMI, 1 VGA, 3 USB 3.0, 1 SD, 1 micro SD , 1 Ethernet and 1 USB-C PD port;
2. PD 100W Power: USB-C PD port supports 100W pass-through PD charging;
3. HDMI and VGA Port: Easy to extend the display to an external monitor;
4. Instant Internet: Access reliable 1 Gbps internet, wherever there is an Ethernet connection;
- 5.3 x USB 3.0 Port: Up to 5 Gbps SuperSpeed data speeds let you transfer an HD movie in seconds.

| | |
|-----------------|--|
| Model | HUB-M15 |
| Material | Aluminum Alloy |
| Interface | USB-C, HDMI, VGA, USB3.0 x 3, RJ45, SD Card Reader, TF Card Reader, USB-C PD Port |
| Resolution | HDMI: 4K@30Hz VGA: 1080p@60Hz HDMI and VGA output simultaneously: 1080p@60Hz |
| Internet speed | 1000Mbps |
| USB-C PD | 100W(max) |
| Available Color | Space Grey |
| Protocol | DP Alt Mode |
| Certification | CE, FCC & RoHS |

7 in 1 Multiport HUB



New Arrival

Features

1. Massive Expansion: Transforms 1 USB-C port into 1 4K@30Hz HDMI, 3 USB 3.0, 1 SD slot, 1 TF slot as well as 1 USB-C PD charging, expanding your laptop's connectivity incredibly;
2. HDMI Port: Easily mirrors or extends your screen at max 4K UHD to an external HDTV display, monitor or projector via an HDMI Port;
3. PD 100W: Passes up to 100W power to USB-C laptop with power delivery;
4. 5Gbps SuperSpeed: 3 USB 3.0 ports allow you to transfer HD movies or large files in just seconds, 10X faster data transfer than USB 2.0 (480Mbps);
5. Plug and Play: No additional drivers or power required for simplest and most convenient use.

| Model | HUB-M19 |
|---------------------------|--|
| Material | Aluminum shell |
| Interface | 1 x USB-C, 1 x HDMI, 3 x USB 3.0, 1 x SD, 1 x TF, 1 x USB-C PD |
| HDMI Resolution | 4K @ 30Hz (Max) |
| USB 3.0 Data Transmission | 5Gbps (Max) |
| SD/TF Transfer Speed | 5Gbps (Max) |
| USB-C PD Input | 100W (Max) |
| Color | Space Gray |
| Certification | FCC,CE, RoHS |

11 in 1 USB-C Multiport Docking Station



New Arrival

Features

1. Massive Expansion: Transforms a single USB-C port into 3 USB 3.0 , 1 USB-C, 1 USB-C PD, 4K HDMI, 1 VGA, 1 SD, 1 TF, 1 RJ45 & 3.5mm jack;
2. 4K HDMI : Mirrors or extends your screen at up to 4K@30Hz UHD that presents crystal-clear image;
3. Power Delivery 3.0: Gives energy to your USB-C laptop with 100W Max Power Delivery, ensuring optimal charging performance pairing with notebook;
4. SD / TF Card Reader: Easily transfers photos / videos to your USB-C laptop in a few seconds;
5. Great Heat Dissipation: USB C docking station can serve as a laptop cooling pad with great heat dissipation.

| Model | HUB-M20 |
|---------------|--|
| Material | Aluminum shell |
| Interface | USB C TO USB3.0*3 + USB-C 3.0 + USB-C PD(100W) + 3.5mm + SD + TF+ HDMI + VGA + RJ45 |
| Resolution | Single Display : HDMI--4K/30Hz VGA--1080P/60Hz; HDMI + VGA : HDMI&VGA--1080P/60Hz |
| USB-C PD | 100W (Max) |
| Color | Space Gray |
| Certification | FCC,CE, RoHS |

Features

1. MacBook Pro & Air Only: Ultra-slim USB-C hub is specially designed for MacBook Air 2020/2019/2018, MacBook Pro 2020/2019/2018/2017/2016. A nice addition for your MacBook(s) to enhance productivity.
2. Massive Expansion: Expands your MacBook's 2 USB-C ports into 1 USB-C Thunderbolt port, 3 USB-A ports (USB 3.0), 1 USB-A (USB 2.0), 1 SD card slot and 1 Micro SD card slot—all from one compact hub.
3. High-Speed: Thunderbolt 3-enabled USB-C port supports pass-through charging at up to 100W, data transfer at up to an astonishing 40Gbps and crystal-clear media display at resolutions up to 5K.
4. 5Gbps Data Sync: Equipped with 3 USB 3.0 ports, this hub allows you to connect more standard USB gadgets to your latest computer, such as mouse, keyboard and USB hard drive, transferring HD movies or large files in seconds.

| | |
|----------------|---|
| Model | HUB-M23 |
| Material | ABS+Alloy Aluminum |
| Interface | 2xUSB-C(Male), 1xSD, 1xMicro SD, 3xUSB-A(USB 3.0), 1xUSB-C(Female), 1x USB-A (USB 2.0) |
| Resolution | USB-C Thunderbolt 3: 5K@60Hz (Max) |
| Transfer Speed | USB-C: 40Gbps (Max) SD/Micro SD: 5Gbps (Max) USB 3.0: 5Gbps (Max) USB 2.0: 480Mbps (Max) |
| Product Size | 125 x 33 x 10.8mm |
| Certification | FCC , CE , RoHS |

7-in-1 USB-C Multiport Adapter



Pre-sale

7-in-1 USB-C Multiport Adapter



Pre-sale 2020.7.31

Features

1. 7 in 1 Design: Massive expansion to 1 4K HDMI, 2 USB 3.0, 1 USB-C, 1 SD, 1 Micro SD slot, and 1 RJ45;
2. HUB for MacBook: Specifically designed for MacBook Pro 2020/2019/2018/2017, MacBook Air 2020/2019/2018;
3. HDMI Port: 4K HD video offers excellent games, movies, and sports events viewing experience;
4. Multifunctional USB-C Port: Supports Thunderbolt 3 data transfer up to 40Gbps, 5K high-definition resolution video output, and Power Delivery 100W of charging power;
5. SD/Micro SD Card Slots: Quickly and easily access to photos and other media.

| | |
|---------------------------|--|
| Model | HUB-M24 |
| Material | Aluminum shell |
| Interface | 1 x HDMI, 2 x USB 3.0, 1 x USB-C, 1 x SD, 1 x Micro SD, and 1 x RJ45 |
| Resolution | HDMI: 4K@30Hz (Max) USB-C Thunderbolt 3: 5K@60Hz (Max) |
| Transfer Speed (USB-C) | 40Gbps (Max) USB 3.0: 5Gbps (Max) SD/Micro SD: 5Gbps (Max) |
| USB-C PD Input | 100W (Max) |
| RJ45 Network Transmission | 1000Mbps (Max) |
| Certification | CE, FCC, RoHS |

Thunderbolt 3 to Dual HDMI Adapter **Features**



1. Thunderbolt 3 certified.;
2. Bandwidth supports up to 40Gbps;
3. Dual video output with resolutions up to 3840 x 2160@60Hz.

| | |
|--------------------|------------------------------------|
| Model | HUB-H07 |
| Material | PVC cable + aluminum alloy housing |
| Interface | USB C, 2 x HDMI |
| Resolution | Up to 4K@60Hz |
| Data Transfer Rate | 40Gbps |
| Available Color | Black |
| Certification | Thunderbolt 3, CE, FCC & RoHS |
| Cable Length | 254mm |

Thunderbolt 3 to Dual DP Adapter



Features

1. Thunderbolt 3 certified.;
2. Bandwidth supports up to 40Gbps;
3. Dual video output with resolutions up to 3840 x 2160@60Hz.

| | |
|--------------------|------------------------------------|
| Model | HUB-D03 |
| Material | PVC cable + aluminum alloy housing |
| Interface | USB C, 2 x DP |
| Resolution | Up to 4K@60Hz |
| Data Transfer Rate | 40Gbps |
| Available Color | Black |
| Certification | Thunderbolt 3, CE, FCC & RoHS |
| Cable Length | 254mm |

Features

USB-C to HDMI Cable



1. Plug and Play, no adapter required;
2. Supports resolutions up to 4Kx2K(3840x2160) @60Hz;
3. Support video and audio output; Mirror mode and extend mode are available;
4. Gold-plated connector on both sides which inhibits corrosion, and ensures maximum conductivity;
5. Perfectly works with USB-C port devices with DP Alt mode.

| | |
|-----------------|---|
| Model | CH0019 |
| Material | PVC (cable + shell) + Gold-plated Connector |
| Interface | USB Type-C, HDMI |
| HDMI Resolution | 4Kx2K(3840x2160) @60Hz |
| Cable Length | 1.8m |
| Protocol | DP Alt Mode |
| Available Color | Black, White |
| Certification | CE, FCC & RoHS |

USB-C to HDMI Cable



Features

1. Plug and Play, no adapter required;
2. Nylon braided cable and gold-plated connector, so the cable is wear-resistant, services a super long life;
3. Supports resolutions up to 4Kx2K(3840x2160) @60Hz;
4. Support video and audio output; Mirror mode and extend mode are available;
5. Perfectly works with USB-C port devices with DP Alt mode.

| | |
|-----------------|--|
| Model | CH0021 |
| Material | Aluminum Housing + Nylon Braided Cable + Gold-plated Connector |
| Interface | USB Type-C Male, HDMI Male |
| HDMI Resolution | 4K(3840x2160)@60Hz |
| Cable Length | 2m |
| Protocol | DP Alt Mode |
| Available Color | Gray+Black |
| Certification | CE, FCC & RoHS |

USB-C to HDMI + PD Cable



Features

1. Plug and Play, no adapter required;
2. Supports resolutions up to 4Kx2K(3840x2160) @60Hz;
3. USB-C port delivers up to 20V/3A (PD 60W) power for your devices while displaying video;
4. Support video and audio output; Mirror mode and extend mode are available;
5. Perfectly works with USB-C port devices with DP Alt mode.

| Model | XCH-M180 |
|-----------------|--|
| Material | Aluminum Housing + Gold-plated Connector |
| Interface | USB C Female, HDMI, USB C Male |
| HDMI Resolution | 4Kx2K(3840x2160) @60Hz |
| USB C Output | 20V/3A (PD60W) |
| Cable Length | 1.8m |
| Protocol | DP Alt Mode |
| Available Color | Gray |
| Certification | CE, FCC & RoHS |

USB-C to HDMI Cable



Features

1. Supports resolutions up to 4K@30Hz. Plug and Play, no adapter required;
2. 3m length to satisfy your various needs;
3. Support video and audio output; Mirror mode and extend mode are available;
4. Gold-plated connector on both sides which inhibits corrosion, and ensures maximum conductivity;
5. Perfectly works with USB-C port devices with DP Alt mode.

| | |
|-----------------|---------------------------|
| Model | XCH-0030 |
| Material | PVC+Gold-plated connector |
| Interface | USB-C, HDMI |
| HDMI Resolution | 4K@30Hz |
| Cable Length | 3m |
| Protocol | DP Alt Mode |
| Color | Black |
| Certification | CE, FCC & RoHS |

USB-C to DisplayPort Cable



Features

1. Plug and Play, no adapter required;
2. Supports resolutions up to 4Kx2K(3840x2160) @60Hz;
3. Support video and audio output; Mirror mode and extend mode are available;
4. Gold-plated connector on both sides which inhibits corrosion, and ensures maximum conductivity;
5. Perfectly works with USB-C port devices with DP Alt mode.

| | |
|-----------------|-----------------------------|
| Model | XCP-1801 |
| Material | PVC + gold-plated connector |
| Interface | USB Type-C; DP |
| HDMI Resolution | 4K*2K(3840*2160) @60Hz |
| Cable Length | 1.8m |
| Protocol | DP Alt Mode |
| Available Color | Black |
| Certification | CE, FCC, RoHS |

8K DisplayPort Cable



New Arrival

Features

1. 32.4 Gbps bandwidth allows you to enjoy the games in high resolution and with lightning-fast refresh rates;
2. Supports up to 8K(7680x4320) @ 60Hz Resolution;
3. 165Hz refresh rate reduces flicker to give you a really comfortable and smoother gaming experience;
4. HDR Provides more dynamic range and images detail than normal images;
5. High-intensity Signal Protection.

| | |
|--------------|---|
| Model | XDD01 |
| Interface | 2 x DisplayPort |
| Resolution | Up to 8K(7680 x 4320) @ 60Hz |
| Bandwidth | 32.4Gbps |
| Refresh Rate | 8K(7680x4320) @ 60Hz, 4K(3840 x 2160) @ 144Hz, 2K(2560x1440) @165Hz |

8K HDMI Cable



New Arrival 2020.6.30

Features

1. 8K Resolution: Supports up to 8K@60Hz, 4K@144Hz, 2K@165Hz for immersive viewing and smooth fast-action detail;
2. 48Gbps Bandwidth: Provides high speed bandwidth for amazing video and sound quality;
3. 165Hz Refresh Rate: Allows for the uninterrupted viewing and interactivity, enjoying the smoother gaming experience;
4. HDR Support: Provides more dynamic range and images details than normal images.

| | |
|--------------|---|
| Model | XHH01 |
| Interface | 2 x HDMI |
| Resolution | Up to 8K(7680 x 4320) @ 60Hz |
| Bandwidth | 48Gbps |
| Refresh Rate | 8K(7680x4320) @ 60Hz, 4K(3840 x 2160) @ 144Hz, 2K(2560x1440) @165Hz |

USB C to Mini DisplayPort Cable



Features

1. Plug and Play, no adapter required;
2. Support resolutions up to 4Kx2K(3840x2160)@60Hz;
3. Support video and audio output; Mirror mode and extend mode are available;
4. Gold-plated connector on both sides which inhibits corrosion, and ensures maximum conductivity;
5. Perfectly works with USB-C port devices with DP Alt mode.

| | |
|-----------------------------|---------------------------|
| Model | XCM-1501 |
| Material | USB C, Mini DisplayPort |
| Interface | PVC+Gold-plated connector |
| Mini DisplayPort Resolution | 4Kx2K(3840x2160)@60Hz |
| Cable Length | 1.8m |
| Protocol | DP Alt Mode |
| Available Color | Black |
| Certification | CE, FCC, RoHS |

Thunderbolt 3 Active Cable



Features

- 1.This Thunderbolt 3 active cable has been tested to abide by the Thunderbolt standards;
2. Transfer data at up to staggering speed of 40 Gbps between two Thunderbolt devices ;
- 3.Deliver up to 100W of power delivery to charge your Thunderbolt devices;
- 4.Supports dual full 4K@60 Hz displays or even a 5K display when used with compatible systems and Thunderbolt 3 accessories.

| | |
|----------------|---|
| Model | A3006 |
| Interface | 2 x Thunderbolt 3 Port |
| Material | PVC + nickel-plated connector |
| Transfer Speed | 40Gbps |
| Output | 5A/20V 100W (Max) |
| Video Output | Up to dual 4K@60Hz displays or a 5K display |
| Length | 2m |
| Certification | CE, FCC, RoHS, Thunderbolt 3 |

Thunderbolt 3 Passive Cable



Features

1. Thunderbolt certified, tested to abide by the Thunderbolt standards;
2. Supports 40Gbps data transfer speeds which four times faster than standard USB-C cables;
3. 40Gbps bandwidth supports dual full 4K @60Hz displays or even a 5K display when used with compatible systems and Thunderbolt 3 accessories;
4. Thunderbolt, USB & DisplayPort Alt Mode compatible;
5. (Important Note: Passive Thunderbolt 3 cable support native DP alternate mode and USB3.1 Gen1 & Gen2 mode).

| | |
|----------------|---|
| Model | A3009 |
| Material | PVC + nickel-plated connector |
| Interface | 2 x Thunderbolt 3 |
| Power Output | 20V/5A |
| Video Output | Single Monitor at 5K@60Hz Dual Monitors at 4K@60Hz |
| Length | 0.8m |
| Transfer Speed | 40Gbps |
| Certification | CE, FCC, RoHS, Thunderbolt 3 |

Charge & Sync Cable



MFi USB-A to Lightning Cable



Features

1. Apple MFi certified, the output current of this cable is 2.4A(Max);
2. It works with all devices with lightning port;
3. The cable can charge Apple devices at full speed, also provide data transmission with up to 480Mbps, not bothered by upgrading;
4. Designed with TPE shell and Tinplate shield, this cable is flexible and durable.

| | |
|-------------------|---------------------------|
| Model | IP0026/IP0027 |
| Interface | USB A, Lightning |
| Material | TPE Shell+Tinplate Shield |
| Available Color | Black, White |
| Output | 5V/2.4A |
| Data Transmission | USB2.0/480Mbps |
| Cable Length | 1.2m/1.8m |
| Certifications | MFi, CE, FCC, RoHS |

MFi 2-In-1 Charging Cable



Features

1. Apple MFi certified, the output current of this cable is 2.4A(Max);
2. Micro USB and Lightning [MFi Certified] 2 in 1 combo design;
3. The cable can charge devices at full speed, also provide data transmission with up to 480Mbps, not bothered by upgrading;
4. Reinforced aluminum housing and nylon braided shielding can withstand daily wear and tear.

| | |
|-------------------|---|
| Model | IP0028 |
| Interface | USB A, Lightning, Micro |
| Material | Nylon Braided Protective Layer+Aluminum Housing |
| Available Color | Black |
| Output | 5V/2.4A |
| Data Transmission | USB2.0/480Mbps |
| Cable Length | 1.2m |
| Certifications | MFi, CE, FCC, RoHS |

MFi 3-In-1 Charging Cable



Features

1. Apple MFi certified, the output current of this cable is 2.4A(Max);
2. 3 in 1 combo design, no need to carry many cables;
3. The cable can charge most devices , also provide data transmission with up to 480Mbps;
4. Reinforced aluminum housing and nylon braided shielding can withstand daily wear and tear.

| | |
|-------------------|---|
| Model | IP0030 |
| Interface | USB-A , Lightning, Micro USB, Type-C |
| Material | Nylon Braided Protective Layer+Aluminum Housing |
| Available Color | Black |
| Output | 5V/2.4A |
| Data Transmission | 480Mbps |
| Cable Length | 1.2m |
| Certifications | MFi, CE, FCC, RoHS |

MFi USB-C to Lightning Cable



Features

1. MFi certification, compatible with all Apple equipment;
2. USB-C connector has passed USB-IF certification, and has more than 20,000 times tests of plug and pull;
3. The transmission rate is as high as 480Mbps.

| | |
|-------------------|--------------------|
| Model | IP0039 |
| Interface | USB-C, Lightning |
| Material | Nylon braided |
| Available Color | Black |
| Output | 100W(Max) |
| Data Transmission | 480Mbps |
| Cable Length | 1.2m |
| Certifications | MFi, CE, FCC, RoHS |

MFi USB-C to Lightning Cable



Features

1. MFi certification, support USB Power Delivery charging;
2. Adopted Apple C94, provide fast charging speed, just need 30 minutes to charge your iPhone from 0-50%;
3. The transmission rate is as high as 480Mbps;
4. 2m Extra long cable expands the using space to meet your various needs.

| | |
|-------------------|--------------------|
| Model | IP0036 |
| Interface | USB-C, Lightning |
| Material | TPE |
| Available Color | Black/White |
| Output | 30W(Max) |
| Data Transmission | 480Mbps |
| Cable Length | 2m |
| Bending Life | 15000+ |
| Certifications | MFi, CE, FCC, RoHS |

PD 60W USB-C to USB-C Cable



Features

1. PD 60W Power Delivery: Capable of charging your device up to 20V/3A (Max);
2. 480Mbps Data Sync: Easily transfer the files, video and photos from your USB-C smartphones up to 480Mbps;
3. Stronger Nylon Braided: The braided cable not only avoid the tangling but also flexible enough;
4. Compatible with all USB Type-C enabled devices;
5. 2m length available, you can lie on the couch or sofa and use your devices while it's charging.

| | |
|---------------------|----------------------------------|
| Model | XCC-1003/XCC-1004 |
| Material | Nylon braided + aluminum housing |
| Interface | 2*Type-C |
| Output | 60W(Max) |
| Data Transfer Speed | 480Mbps |
| Cable Length | 1.2m/4ft; 2m/6.6ft |
| Available Color | Black |
| Certifications | CE, FCC, RoHS |

PD 100W USB-C to USB-C Cable



Features

1. Support Power Delivery charging with maximum output up to 100W;
2. USB 2.0 supports data transfer speed up to 480Mbps;
3. 2m Extra long cable expands the using space to meet your various needs;
4. Premium nylon braided with aluminum alloy housing ensures a longer service life;
5. Compatible with all USB Type-C enabled devices.

| | |
|---------------------|----------------------------------|
| Model | XCC-1002 |
| Material | Nylon braided + aluminum housing |
| Interface | 2*Type-C |
| Output | 100W(Max) |
| Data Transfer Speed | 480Mbps |
| Cable Length | 1.8m |
| Available Color | Silver |
| Certifications | CE, FCC, RoHS |

USB-C 3.1 GEN 2 Cable



Features

1. High-speed Charging: Supports rapid charging currents of up to 100W;
2. Rapid Data Transfer: Transfer music, movies or files in seconds with 10Gbps speed;
3. Ultra HD Video Resolution: Enabled video resolution up to 4K @ 60Hz;
4. Gen2 2m coaxial cable has better shielding performance than twisted pair;
5. The braided cable not only tangling but also flexible enough.

| | |
|----------------|--|
| Model | XCC-1007 |
| Interface | USB-C, USB-C |
| Material | Aluminum Alloy Housing + Nylon Braided Cable |
| Power Output | 100W Power Delivery |
| Video Output | 4K @ 60Hz |
| Transfer Speed | 10Gbps |
| Cable Length | 2m |
| Color | Black |

USB-C to USB-C Cable



Features

1. The USB 2.0 cable transfer data speeds up to 480 Mbps;
2. Supports nearly 3A of power output for USB Type-C devices;
3. Type-C connector is compliant with the USB IF Association Appliance;
4. Environment-friendly PVC material, no odor and not easy to age.

| | |
|---------------------|----------------------|
| Model | CC0001/CC0002/CC0003 |
| Material | PVC |
| Interface | 2*Type-C |
| Output | 3A(Max) |
| Data Transfer Speed | USB 2.0 (480Mbps) |
| Cable Length | 0.5m/1m/2m |
| Available Color | Black |
| Certifications | CE, FCC, RoHS |

USB-A to USB-C Cable



Features

1. The USB 2.0 cable transfer data speeds up to 480 Mbps;
2. Supports 3A of power output for USB Type-C devices;
3. Built-in 56K Ω pull-up resistor can protect your devices against damage, giving you incredible safety and reliability;
4. Flexible USB Type-C cable with sturdy construction makes it stronger and more durable.

| | |
|---------------------|----------------------|
| Model | AC0001/AC0002/AC0003 |
| Material | PVC |
| Interface | USB-A, Type-C |
| Output | 5V/3A |
| Data Transfer Speed | USB 2.0 (480Mbps) |
| Cable Length | 0.5m/1m/2m |
| Available Color | Black |
| Certifications | CE, FCC, RoHS |

5A Supercharge USB-C Cable



Features

1. 5A SuperCharge cable, Huawei Mate 10 can be fully charged within 1.5 hours;
2. Transmission speed up to 480 Mbps while charging speed up to 5A;
3. User-friendly design, Reversible charging port, allow you to plug in the right way every time;
4. Braided Nylon Type C Cable ensure an excellent anti-twisting & abrasion-proof.

| | |
|---------------------|-----------------------------|
| Model | AC0013 |
| Interface | USB-A Male to Type-C Male |
| Output | 5V/5A 25W(Max) |
| Data Transfer Speed | 480Mbps |
| Material | Nylon Braided; Anti-fire PC |
| Length | 1.2m |
| Color | Black, Silver |

2-in-1 USB to Micro USB + USB-C Cable (Coiled)



Features

1. Enables the cable compatible with both Type C and Micro USB devices;
2. It works with most of Micro USB and Type C enabled devices;
3. Built in a 56Kohm resistor, the cable safely offers maximum 3A fast charging and HighSpeed data transmission of 480Mbps;
4. All the 3 connectors are gold-plated to provide maximum conductivity.

| | |
|----------------|---|
| Model | XAC-0012-101 |
| Material | PVC (cable + shell) + Gold-plated Connector |
| Interface | USB Type-C, Micro USB |
| Transfer Speed | 480Mbps |
| Power Output | 5V/3A |
| Color | Black |
| Certifications | CE, FCC, RoHs |

2-in-1 USB to Micro USB + USB-C Cable (Straight)



Features

1. Enables the cable compatible with both Type C and Micro USB devices;
2. It works with most of Micro USB and Type C enabled devices;
3. Built in a 56Kohm resistor, the cable safely offers maximum 3A fast charging and HighSpeed data transmission of 480Mbps;
4. All the 3 connectors are gold-plated to provide maximum conductivity.

| | |
|----------------|---|
| Model | XAC-0012-102 |
| Material | PVC (cable + shell) + Gold-plated Connector |
| Interface | USB Type-C, Micro USB |
| Transfer Speed | 480Mbps |
| Power Output | 5V/3A |
| Color | Black |
| Certifications | CE, FCC, RoHs |

USB-A to Micro USB Cable



Features

1. Full USB 2.0 support, data transmission speed up to 480Mbps;
2. The power output up to 2.4A that can fast charge your micro usb devices;
3. This cable is PVC coated, durable yet flexible. Compact design, easy to carry;
4. Compatible with most Android & Windows phones & tablets with micro usb interface.

| | |
|---------------------|-------------------|
| Model | AB003 |
| Material | PVC |
| Interface | USB-A, Micro USB |
| Output | 5V/2.4A |
| Data Transfer Speed | USB 2.0 (480Mbps) |
| Cable Length | 1.2m |
| Available Color | White, Black |
| Certifications | CE, FCC, RoHS |

USB 3.0 Extension Cable



Features

1. 2m USB 3.0 to USB 3.0 extension cable;
2. 5Gbps superspeed data transfer;
3. Compatible with USB Keyboard, Mouse, Flash Drive, Hard Drive, Printer, etc;
4. Corrosion-resistant gold-plated connectors maximize signal transmission for optimal transmission stability;
5. Features premium braided protective layer and solid aluminum alloy shell.

| | |
|---------------------|--|
| Model | XAA001 |
| Interface | USB-A Male to USB-A Female |
| Material | Nylon braided cable + aluminum alloy shell |
| Data Transfer Speed | USB3.0/5Gbps |
| Color | Space gray |
| Length | 2m |
| Certifications | CE, FCC, RoHS |

USB-C to 3.5mm Audio Jack Adapter



 **New Arrival**

Features

1. This cable will transmit audio in stereo formation, providing fantastic yet clear sound for you;
2. Compatible with almost all digital devices with standard 3.5mm aux port;
3. Braid shielding, corrosion-resistant gold-plated connector and aluminum housing give the cable reliable performance.

| | |
|-----------|------------------------------|
| Model | AUX003 |
| Interface | USB-C; 3.5mm Male Audio Port |
| Material | ABS |
| Color | Black |
| Length | 15mm |

USB to NVME Enclosure



USB 3.1 Type-C GEN 2 to NVMe M.2 SSD Enclosure



Features :

1. Maximum data transfer speed can be up to 10Gbps;
2. Compatible with M-Key M.2 SSD (PCI-E & NVMe based), be fit for the size of 2230 / 2242 / 2260 / 2280;
3. The latest technology USB 3.1 Type-C GEN 2 is applied;
4. Made of premium material that is good for heat dissipation.

| | |
|----------------------|---------------------------------------|
| Model | PC-HDE16 |
| Material | UV + ABS |
| Interface | Type-C; M-key M.2 |
| Transfer Speed | 10Gbps(Max) |
| Support SSD Capacity | 2TB (Max) |
| Support SSD Protocol | M.2/NVMe M Key, B+M Key (PCI-E based) |
| Color | Space Gray |
| Support SSD Size | 22x30, 22x42, 22x60, 22x80mm |

Adjustable Phone Desktop Holder



Features

1. Adjustable Design: Easily adjust the angle (5°~45°) to find the best viewing angles;
2. Universal Compatible: Compatible with 4~10 inch mobile phones or tablets;
3. Hands-free for video calling, making videos and watching movies;
4. The anti-slip silicone of dock and base help keep your holder in place.

| | |
|-----------------|---------------------------------|
| Model | H035 |
| Product Name | Adjustable Phone Desktop Holder |
| Color | Sliver |
| Compatible with | Phone; Tablet |
| Material | Aluminium Alloy; Silicone |
| Suitable Size | 4-10inches mobile phone/tablets |

Features

Foldable Phone & Tablet Desktop Holder



New Arrival

1. Foldable Stand: Pocket-size stand is suitable for traveller to slip into bag and carry anywhere;
2. Adjustable Stand: 85 degrees adjustable & 4cm height adjustable allow you to choose your preferred viewing angle;
3. Anti-slip Design: Brings security and stability, keeping it away from scratches;
4. Extensive Compatibility: Perfectly suitable for 4~12.9 inches phones and tablets, and fits nicely even with cases on;
5. Free Your Hands: Hands-free holder is ideal for you to enjoy comfortable viewing angle and helps reduce neck and back strain.

| | |
|-----------------|---|
| Model | H88 |
| Product Name | Adjustable Phone Desktop Holder |
| Color | Pink / White |
| Compatible with | 4-10inches mobile phone/tablets |
| Material | Aluminium Alloy; Silicone; ABS |
| Application | Dining table, living room, home, office, travel, etc. |

Magnetic Car Phone Mount



Features

1. Magnetic car mount, fast docking with one hand;
2. Powerful sucker with lever;
3. Built in four powerful neodymium magnets;
4. With a 360 rotation swivel ball;
5. Reusable sticky gel pad, easy to clean.

| | |
|----------|---|
| Model | H010 |
| Material | ABS + PVC + Silicone + Aluminum Alloy + Metal |
| Color | Black |
| Fits for | Smartphones, GPS |

Universal Water-proof Bag



Highlights

1. IPX8 Certified: Superior water-resistant protection up to 98 feet (30 meters);
2. Dual swivel lock and sealable closure clipdesign;
3. Screen-touch Functionality ;

| | |
|------------|-----------------------|
| Model No. | WPC007 |
| Material | Lightweight PVC |
| Compatible | ≤6 inches smartphone |
| Color | black/white/pink/blue |

Universal Floating Water-proof Bag



Highlights

1. IPX8 Certified: Superior water-resistant protection up to 98 feet (30 meters);
2. Lightweight TPU edges makes your phone floating on water ;
3. Dual swivel lock and sealable closure clip design;
4. Screen-touch Functionality.

| | |
|------------|----------------------|
| Model No. | WPC035 |
| Material | Lightweight TPU |
| Compatible | ≤6 inches smartphone |
| Color | black/white |

Highlights

iPad Pro 12.9" Wireless Keyboard Case



1. Designed especially for the iPad Pro 12.9" (2020 & 2018);
2. Full Protection: Protects your iPad from scratches, dirt and grime;
3. Detachable Wireless Keyboard: Turns your iPad into a laptop, offering you a cozy experience;
4. Stand Function: Two standing positions for considerate movie-viewing and keyboard-typing;
5. Holder for Apple Pencil: Supports 2nd Gen Apple Pencil's magnetic attachment and wireless charging.

| | |
|-------------------|-----------------------|
| Model | BH-010 |
| Interface | Micro USB |
| Material | Metal hook + PU + ABS |
| Input | 5V |
| Compatible Device | iPad Pro 12.9 |
| Product Size | 284*230*18mm |
| Net Weight | 510g |
| Certification | CE, FCC, RoHs |

Highlights

iPad Pro 11" Wireless Keyboard Case



1. Designed especially for the iPad Pro 11" (2020 & 2018);
2. Full Protection: Protects your iPad from scratches, dirt and grime;
3. Detachable Wireless Keyboard: Turns your iPad into a laptop, offering you a cozy experience;
4. Stand Function: Two standing positions for considerate movie-viewing and keyboard-typing.

| | |
|-------------------|-----------------------|
| Model | BH-011 |
| Interface | Mirco USB |
| Material | Metal hook + PU + ABS |
| Input | 5V |
| Compatible Device | iPad Pro 11" |
| Product Size | 250*185*18mm |
| Net Weight | 420g |
| Certification | CE, FCC, RoHs |

Highlights

iPad Pro 11" Wireless Keyboard Case



1. Designed especially for the iPad Pro 11" (2020 & 2018);
2. Reliable Protection: Protects your iPad from scratches, dirt and grime;
3. Touchpad Keyboard Design: Keyboard comes with a touchpad that supports multi-finger function and will offer a great aid when you do not have a mouse in hand;
4. Hand-free Kickstand: Built-in stand holds screen at typing angle;
5. Holder for Apple Pencil: Supports 2nd Gen Apple Pencil's magnetic attachment and wireless charging.

| | |
|-------------------|-----------------------|
| Model | BH-012 |
| Interface | Type-C |
| Material | Metal hook + PU + ABS |
| Input | 5V |
| Compatible Device | iPad Pro 11" |
| Product Size | 251.2*192.2*10.5mm |
| Net Weight | 559g |
| Certification | CE, FCC, RoHs |



Pre-sale 2020.7.31

THANKS !