

Overview

HP Chassis Accessories

HP (10 Sets) 400 G2/700 G1/ 705 G1 Bezel Support Kit

Quickly and easily install an after-market optical disk drive¹ into your HP Business Desktop chassis with the HP (10 Sets) 400 G2/700 G1/ 705 G1 Bezel Support Kit.

1. Sold separately.

Model

HP (10 Sets) 400 G2/700 G1/ 705 G1 Bezel Support Kit

J4R48AA

Key Benefits

- Help ensure a secure fit with a Kit specifically designed to fit your HP form factor, seal the installation, and maintain the aesthetic lines of your PC.
- Simplify mass deployments with a 10-pack.

Compatibility

HP (10 Sets) 400 G2/700 G1/ 705 G1 Bezel Support Kit is compatible with the HP ProDesk 400 G2 MT and SFF, HP ProDesk 405 G1 MT, HP ProDesk 490 G1 MT, HP EliteDesk 700 G1 MT and SFF, HP EliteDesk 705 G1 MT and SFF Business Desktop PCs.

Spares Information

ODD, BEZEL BLANK, ENT14

756814-001

SPS-Bezel Slim ODD ENT14 MT

783214-001

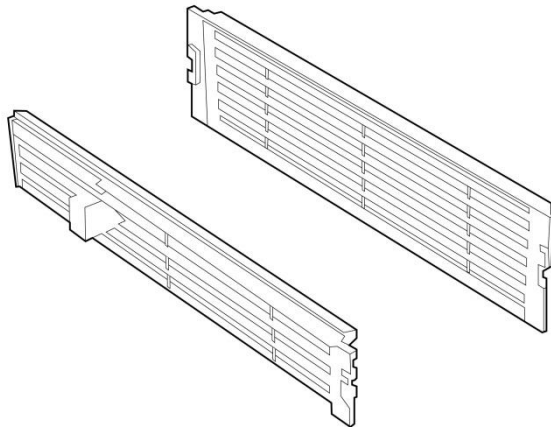
Service and Support

Your Option Limited Warranty is a one (1) year (HP Option Limited Warranty Period) parts replacement warranty on any HP-branded or Compaq-branded options (HP Options). If your HP Option is installed in an HP Hardware Product, HP may provide warranty service either for the HP Option Limited Warranty Period or the remaining Limited Warranty Period of the HP Hardware Product in which the HP Option is being installed, whichever period is the longer but not to exceed three (3) years from the date you purchased the HP Option.

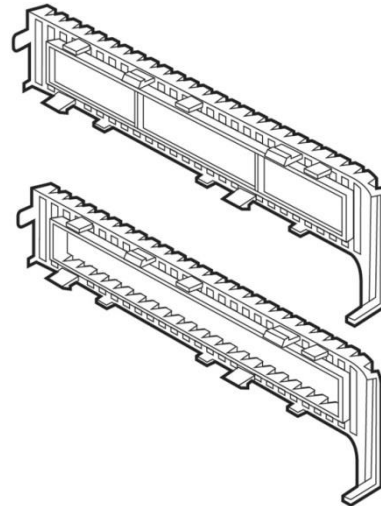
Overview

HP (10 Sets) 400 G1 Bezel Support Kit

Help secure the fit of your after-market optical disk drive into your desktop chassis with the HP (10 Sets) 400 G1 Bezel Support Kit.



Top and Bottom Optical Disc Drive (ODD) Blanks for MT



Slim ODD Blank and Trim for Small Form Factor (SFF)

HP (10 Sets) 400 G1 Bezel Support Kit

Model	HP (10 Sets) 400 G1 Bezel Support Kit	E1C67AA
--------------	---------------------------------------	---------

Key Benefits

- Specifically designed to fit your form factor, seal the installation, and maintain the aesthetic lines of your PC.
- The 10-pack simplifies easy mass deployments.
- Each support kit contains 40 screws (4 for each drive) for supporting additional 2.5" drives.

Compatibility

HP (10 Sets) 400 G1 Bezel Support Kit is compatible with the HP ProDesk 400 G1 MT and SFF, HP ProDesk 405 G1 MT, and HP ProDesk 490 G1 MT Business Desktop PCs.

Spares Information

Top ODD, Bezel Blank MT	724102-001
Bottom ODD, Bezel Blank MT	724103-001
Slim ODD, Bezel Blank SFF	718544-001
Slim ODD, Bezel Blank Open SFF	718545-001

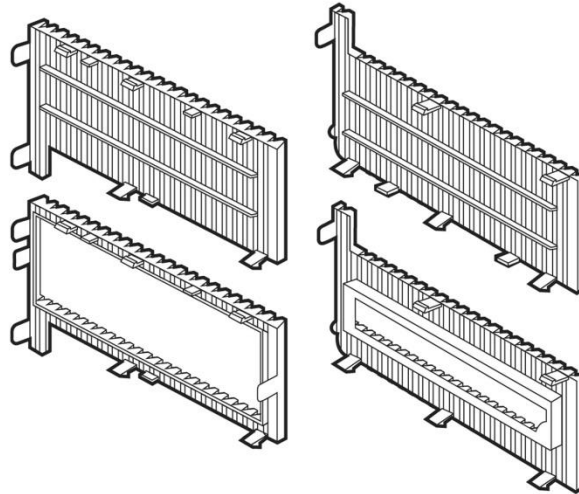
Service and Support

Your Option Limited Warranty is a one (1) year (HP Option Limited Warranty Period) parts replacement warranty on any HP-branded or Compaq-branded options (HP Options). If your HP Option is installed in an HP Hardware Product, HP may provide warranty service either for the HP Option Limited Warranty Period or the remaining Limited Warranty Period of the HP Hardware Product in which the HP Option is being installed, whichever period is the longer but not to exceed three (3) years from the date you purchased the HP Option.

Overview

HP (10 Sets) 600/800 TWR Bezel Support Kit

Help secure the fit of your after-market optical disk drive into your desktop chassis with the HP (10 Sets) 600/800 TWR Bezel Support Kit.



HP (10 Sets) 600/800 TWR Bezel Support Kit

Model	
HP (10 Sets) 600/800 TWR Bezel Support Kit	E1C66AA

Key Benefits

- Specifically designed to fit your form factor, seal the installation, and maintain the aesthetic lines of your PC.
 - The 10-pack simplifies easy mass deployments.
 - Each support kit contains 40 screws (4 for each drive) for supporting additional 2.5" drives.
-

Compatibility

HP (10 Sets) 600/800 TWR Bezel Support Kit is compatible with the HP EliteDesk 800 G1 TWR and HP ProDesk 600 G1 TWR Business Desktop PC.

Spares Information

ODD, Bezel Blank TWR	717247-001
Slim ODD, Bezel Blank Open TWR	717248-001
ODD, Bezel Blank Opening TWR	717705-001
Slim ODD, Bezel Blank TWR	717706-001

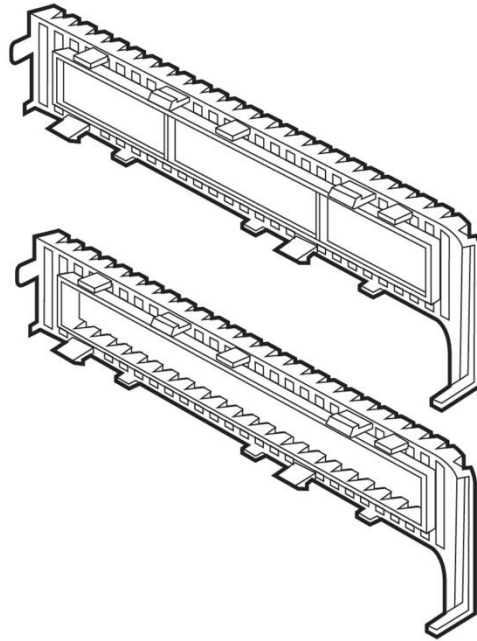
Service and Support

Your Option Limited Warranty is a one (1) year (HP Option Limited Warranty Period) parts replacement warranty on any HP-branded or Compaq-branded options (HP Options). If your HP Option is installed in an HP Hardware Product, HP may provide warranty service either for the HP Option Limited Warranty Period or the remaining Limited Warranty Period of the HP Hardware Product in which the HP Option is being installed, whichever period is the longer but not to exceed three (3) years from the date you purchased the HP Option.

Overview

HP (10 Sets) 600/800 SFF Bezel Support Kit

Help secure the fit of your after-market optical disk drive into your desktop chassis with the HP (10 Sets) 600/800 SFF Bezel Support Kit.



HP (10 Sets) 600/800 SFF Bezel Support Kit

Model	
HP (10 Sets) 600/800 SFF Bezel Support Kit	E3F27AA

Key Benefits

- Specifically designed to fit your form factor, seal the installation, and maintain the aesthetic lines of your PC.
 - The 10-pack simplifies easy mass deployments.
 - Each support kit contains 40 screws (4 for each drive) for supporting additional 2.5" drives.
-

Compatibility

HP (10 Sets) 600/800 SFF Bezel Support Kit is compatible with the HP EliteDesk 800 G1 SFF and HP ProDesk 600 G1 SFF Business Desktop PC.

Spares Information

Slim ODD, Bezel Blank Open SFF	718545-001
Slim ODD, Bezel Blank SFF	718544-001

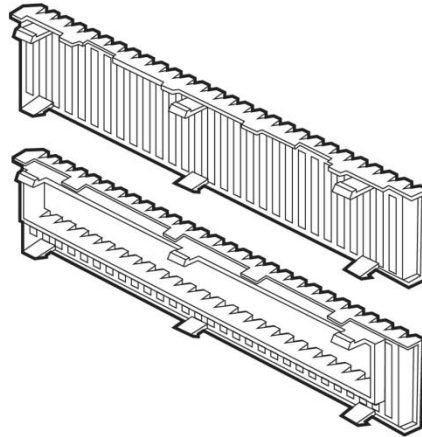
Service and Support

Your Option Limited Warranty is a one (1) year (HP Option Limited Warranty Period) parts replacement warranty on any HP-branded or Compaq-branded options (HP Options). If your HP Option is installed in an HP Hardware Product, HP may provide warranty service either for the HP Option Limited Warranty Period or the remaining Limited Warranty Period of the HP Hardware Product in which the HP Option is being installed, whichever period is the longer but not to exceed three (3) years from the date you purchased the HP Option.

Overview

HP (10 Sets) 800 USDT Bezel Support Kit

Help secure the fit of your after-market optical disk drive into your desktop chassis with the HP (10 Sets) 600/800 USDT Bezel Support Kit.



HP (10 Sets) 800 USDT Bezel Support Kit

Model	
HP (10 Sets) 800 USDT Bezel Support Kit	E3F28AA

Key Benefits

- Specifically designed to fit your form factor, seal the installation, and maintain the aesthetic lines of your PC.
 - The 10-pack simplifies easy mass deployments.
-

Compatibility

HP (10 Sets) 800 USDT Bezel Support Kit is compatible with the HP EliteDesk 800 G1 USDT Business Desktop PC.

Spares Information

Slim ODD, Blank Bezel, Open USDT	718554-001
Slim ODD, Blank Bezel USDT	718554-002

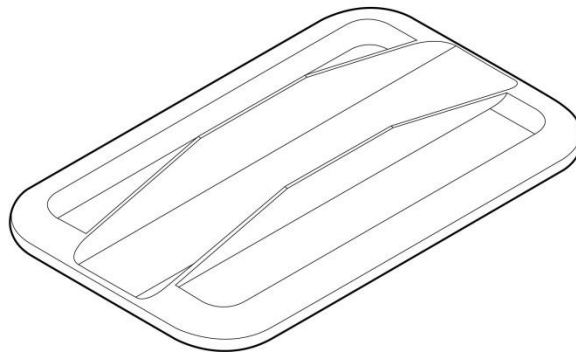
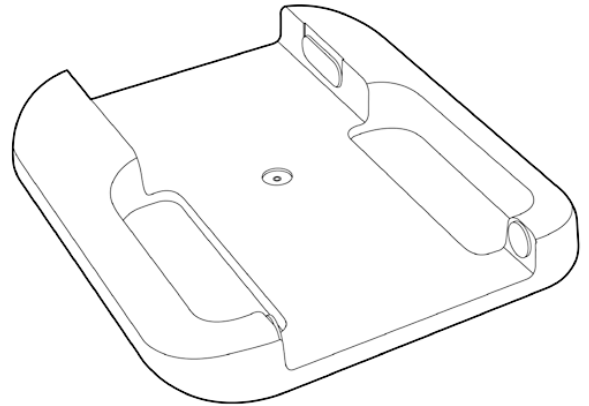
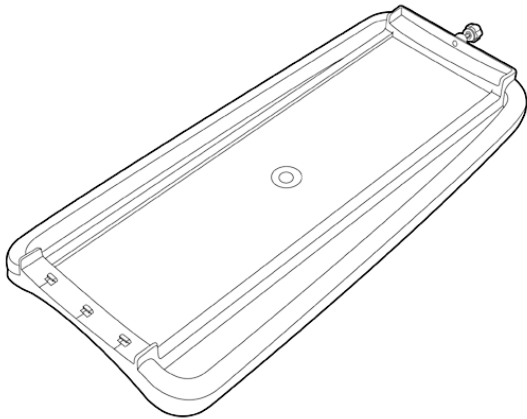
Service and Support

Your Option Limited Warranty is a one (1) year (HP Option Limited Warranty Period) parts replacement warranty on any HP-branded or Compaq-branded options (HP Options). If your HP Option is installed in an HP Hardware Product, HP may provide warranty service either for the HP Option Limited Warranty Period or the remaining Limited Warranty Period of the HP Hardware Product in which the HP Option is being installed, whichever period is the longer but not to exceed three (3) years from the date you purchased the HP Option.

Overview

HP Tower Stands

Free up your valuable desk space with HP Tower Stands.



HP Tower Stands

Model	
HP (dx5150 SFF, rp5000 SFF) Tower Stand	DE870A
HP USDT Tower Stand	GJ117AA
HP 2007 SFF Tower Stand	GJ118AA
HP 2009 (Black) SFF Tower Stand	VN569AA
HP 2009 (Black) USDT Tower Stand	VN568AA
HP DM Chassis Tower Stand	G1K23AA

Key Benefits

- Free up valuable desk space

Compatibility

HP (dx5150 SFF, rp5000 SFF) Tower Stand – DE870A is compatible with the HP Compaq dx5150 and HP Point of Sale System rp5000 small form factor desktops.

HP USDT Tower Stand – GJ117AA is compatible with HP Compaq dc7800 and dc7900 Ultra-slim Desktops.

Overview

HP 2007 SFF Tower Stand – GJ118AA is compatible with HP Compaq dc7900, dc5800 and dc5850 Small Form Factor Desktops.
HP 2009 (Black) SFF Tower Stand – VN569AA is compatible with the HP Compaq 4000 Pro, HP Compaq 6000 Pro, HP Compaq 6005 Pro, HP Compaq 6200 Pro, HP Compaq 8000 Elite, HP Compaq 8100 Elite , HP EliteDesk 800 G1 SFF and HP ProDesk 600 G1 SFF Business Desktop PC. and HP Compaq 8200 Elite Small Form Factor and HP Compaq 8300 Elite Small Form Factor Desktops.
HP 2009 (Black) USDT Tower Stand – VN568AA is compatible with the HP Compaq 6005 Pro, HP Compaq 8000 Elite, HP Compaq 8000f Elite, and HP Compaq 8300 Elite, HP EliteDesk 800 G1 USDT Business Desktop PC Ultra-slim Desktops.
HP DM Chassis Tower Stand – G1K23AA is compatible with HP EliteDesk 800 G1 DM (Mini) and HP ProDesk 600 G1 DM (Mini).

Spares information

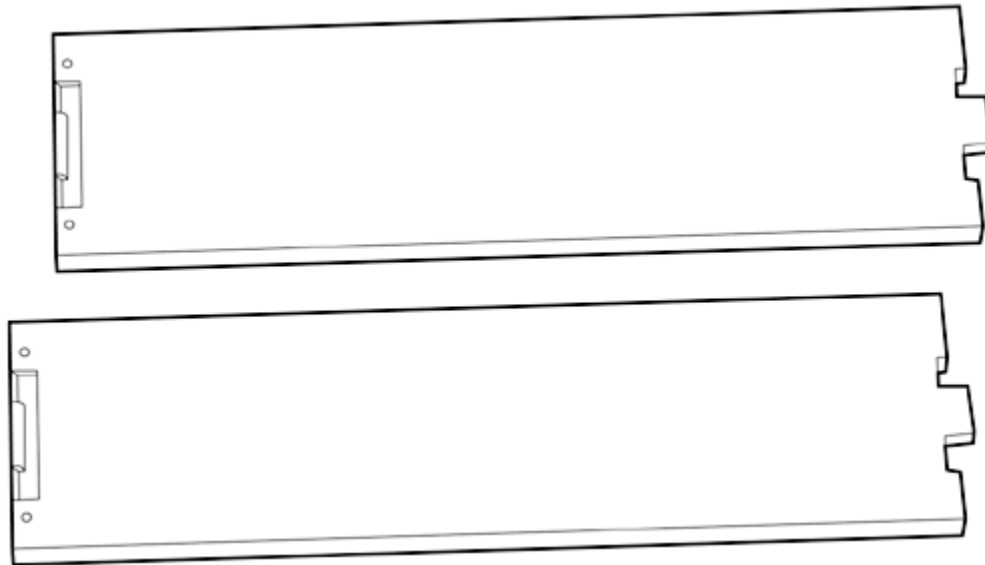
HP (dc5700 SFF, dc5750 SFF) Tower Stand	436533-001
HP USDT Tower Stand	451396-001
HP 2007 SFF Tower Stand	451150-001
HP 2009 (Black) SFF Tower Stand	587451-001
HP DM Chassis Tower Stand	768430-001

Dimensions

HP DM Chassis Tower Stand (L x W)	160 x 117 mm (6.29 x 4.6 in)
-----------------------------------	------------------------------

HP (50-Pk) 5.25 in Blank Bezel Kit

Don't want to see gaps left by the removal of optical drives from your HP Business Desktop? You can now give the appearance of a flush finish by inserting HP 5.25" Blank Bezels into the slots.



HP 5.25in Blank Bezel Kit

Model

HP (50-Pk) 5.25 in Blank Bezel Kit	DC177B
HP 5.25 in (Black) Blank Bezel 50 Bulk Pack	VK889AA

Key Benefits

- Fills the gaps left by the removal of optical drives
- Kit contains 50 Blank Bezels.

Compatibility

Overview

HP (50-Pk) 5.25 in Blank Bezel Kit is compatible with all HP Compaq Business desktops with the exception of the Ultra-Slim Desktops (USDT) and all AIO Desktops. It includes all HP Compaq Business Small Form Factors (SFF), Micro Tower, and Convertible Mini Tower (CMT) platforms.

Service and Support

Your Option Limited Warranty is a one (1) year (HP Option Limited Warranty Period) parts replacement warranty on any HP-branded or Compaq-branded options (HP Options). If your HP Option is installed in an HP Hardware Product, HP may provide warranty service either for the HP Option Limited Warranty Period or the remaining Limited Warranty Period of the HP Hardware Product in which the HP Option is being installed, whichever period is the longer but not to exceed three (3) years from the date you purchased the HP Option.

Technical Specifications

Dimensions	HP (10 Sets) 600/800 TWR Bezel Support Kit (individual bezel dimensions L x H)	6.32 x 2.81 in (16.06 x 7.15 cm)
	HP (10 Sets) 600/800 SFF Bezel Support Kit (individual bezel dimensions L x H)	6.03 x 1.61 in (15.32 x 4.08 cm)
	HP (10 Sets) 800 USDT Bezel Support Kit (individual bezel dimensions L x H)	5.61 x 0.63 in (14.25 x 2.89 cm)
	HP (select SFF/ST chassis) Tower Stand	2.5 x 20.0 x 7.35 in (6.35 x 50.8 x 18.7 cm)
	HP USDT Tower Stand	1.4 x 4.8 x 6.7 in (3.56 x 12.2 x 17.0 cm)
	HP 2009 (Black) USDT Tower Stand	1.4 x 4.8 x 6.7 in (3.56 x 12.2 x 17.0 cm)
	HP 2007 SFF Tower Stand	1.06 (H) x 6.96 (W) x 7.85 (D) (2.7 x 17.7 x 19.9 cm)
	HP 2009 (Black) SFF Tower Stand	1.06 (H) x 6.96 (W) x 7.85 (D) (2.7 x 17.7 x 19.9 cm)
	HP (50-Pk) 5.25in Blank Bezel Kit and HP 5.25in (Black) Blank Bezel 50 Bulk Pack	5.25 in (13.35 cm)
Weight	HP (10 Sets) 600/800 TWR Bezel Support Kit	Unpackaged: Approx. 2.15 lb
	HP (10 Sets) 600/800 SFF Bezel Support Kit	Unpackaged: Approx. 0.65 lb
	HP (10 Sets) 800 USDT Bezel Support Kit	Unpackaged: Approx. 0.5 lb
	HP (dx5150 SFF, rp5000 SFF) Tower Stand	0.65 lbs (295 g)
	HP (select SFF/ST chassis) Tower Stand	1.395 lbs (632 g)
	HP USDT Tower Stand	0.15 lbs (68 g)
	HP 2009 (Black) USDT Tower Stand	0.15 lbs (68 g)
	HP 2007 SFF Tower Stand	0.27 lbs (122 g)
	HP 2009 (Black) SFF Tower Stand	0.27 lbs (122 g)
Option kit contents	HP (10 Sets) 600/800 TWR Bezel Support Kit	Optical drive bezel blank module, optical drive bezel trim module, slim optical drive bezel blank module, slim optical drive bezel trim module, drive mount grommets, documentation
	HP (10 Sets) 600/800 SFF Bezel Support Kit	Slim optical bezel blank module, slim optical bezel trim module, drive mount grommets, documentation
	HP (10 Sets) 800 USDT Bezel Support Kit	Slim optical bezel blank module, slim optical bezel trim module, drive mount grommets, documentation
	HP (dx5150 SFF, rp5000 SFF) Tower Stand	HP Tower Stand, documentation
	HP (select SFF/ST chassis) Tower Stand	HP Tower Stand, documentation

Technical Specifications

HP USDT Tower Stand	HP Tower Stand, documentation
HP 2009 (Black) USDT Tower Stand	HP Tower Stand, documentation
HP 2007 SFF Tower Stand	HP Tower Stand, documentation
HP 2009 (Black) SFF Tower Stand	HP 2009 (Black) SFF Tower Stand, documentation
HP (50-Pk) 5.25 in Blank Bezel Kit	HP (50-pk) 5.25in Blank Bezel Kit, documentation
HP 5.25 in (Black) Blank Bezel 50 Bulk Pack	HP 5.25 in (Black) Blank Bezel 50 Bulk Pack, documentation

© Copyright 2011-2013 Hewlett-Packard Development Company, L.P. The information contained herein is subject to change without notice. The only warranties for HP products and services are set forth in the express warranty statements accompanying such products and services. Nothing herein should be construed as constituting an additional warranty. HP shall not be liable for technical or editorial errors or omissions contained herein.

Microsoft and Windows are US registered trademarks of Microsoft Corporation.

Summary of changes

August 4, 2014	From v20 to v21	Upgrade Added	Change the name and the version for uploading Added the change log
October 1, 2014	From v21 to v22	Change	Change the information on the compatibility section on the overview page