

24" Recessed Handle Dishwasher

100 Series – Stainless Steel SHEM3AY55N



BOSCH
Invented for life



SHEM3AY55N
Stainless Steel

Also available in:

White SHEM3AY52N
Black SHEM3AY56N

Bosch Dishwashers are engineered to the highest standards, passing 485 stringent quality checks resulting in exceptional workmanship and reliable performance.

Features & Benefits

50 dBA: Quietest dishwasher brand in North America.¹

Utility Rack – A place for those "hard to place" items while providing safe and effective cleaning.

Stainless steel tall tub with polypropylene bottom delivers durability.

24/7 Overflow Protection System[®] helps prevent water leaks, even when your dishwasher is off.

General Properties

| | |
|--|--------------------------------|
| Number of wash cycles | 6 |
| Number of options | 2 |
| dBA | 50 |
| Drying system | PureDry [®] |
| Third rack | No |
| Rack adjustability | Manual |
| Tub material | Stainless steel/polypropylene |
| Control type | Buttons |
| Concealed water heating element | Yes |
| Leak protection system | 24/7 Overflow Protection |
| NSF [®] -certified ² sanitize option | Yes |
| Water softener | No |
| Five-level wash | Yes |
| ChildLock | Yes |
| Special features | Anti-fingerprint, Utility rack |

Efficiency

| | |
|---------------------------------------|--------|
| Water usage per cycle | 3.2 |
| Energy efficiency class | Tier 1 |
| ENERGY STAR [®] qualified | Yes |
| Total annual energy consumption (kWh) | 269 |
| Total annual water consumption (g) | 688 |

Capacity

| | |
|--------------------------|----|
| Number of place settings | 14 |
|--------------------------|----|



Technical Details

| | |
|--|---------------------------|
| Watts (W) | 1440 W |
| Current (A) | 12 Amps |
| Volts (V) | 120 V |
| Frequency (Hz) | 60 Hz |
| Power cord full length | 67" |
| Power cord install length from edge of unit when facing the door (in) ³ | Left – 45" Right – 50" |
| Minimum water pressure (lb/sin) | 15 |
| Length outlet hose (in) | 90 1/2" |

Dimensions & Weight

| | |
|---|-------------------------------|
| Overall appliance dimensions (HxWxD) (in) | 33 7/8" x 23 9/16" x 22 9/16" |
| Required cutout size (HxWxD) (in) | 33 7/8" x 24" x 24" |
| Adjustable feet | Yes |
| Net weight (lbs) | 76 lbs |

Accessories—Optional

| | |
|--|------------|
| Junction Box | SMZPCJB1UC |
| Dishwasher Drain Hose Extension 76 3/4" | SGZ1010UC |
| Dishwasher Accessory Kit | SMZ5000 |
| DoubleFlex Silverware Basket | SMZ4000UC |
| Edge Protector + Power Cord Clip Install Kit | SMZEPC1UC |



¹Based on an average of sound ratings of 24" Full Size Stainless Steel Tub dishwashers contained in major brands US & Canadian websites. Major brands defined as TraQline Top 5 Market Share (US & Canada) December 2017.

²Certification to NSF/ANSI Standard 184 for residential dishwashers.

³September 2020 running production change to remove adhesive routing clips for power cord. These clips and the edge protector are now included in the dishwasher accessory kit # SMZEPC1UC.

Accessories: To purchase Bosch accessories, cleaners & parts please visit www.bosch-home.com/us/store or call 1-800-944-2904 (Mon to Fri 5 am to 6 pm PST, Sat 6 am to 3 pm PST).

Notes: All height, width and depth dimensions are shown in inches. BSH reserves the absolute and unrestricted right to change product materials and specifications, at any time, without notice. Consult the product's installation instructions for final dimensional data and other details prior to making cutout.

Warranties: Please see Use & Care manual or Bosch website for statement of limited warranty.

For more information on our entire line of products, go to www.bosch-home.com/us or call 1-800-944-2904

© BSH Home Appliances Corporation. All rights reserved. Bosch is a registered trademark of Robert Bosch GmbH.

24" Recessed Handle Dishwasher

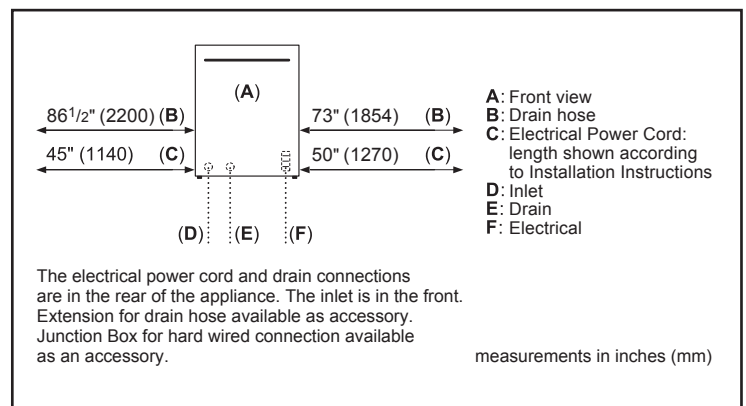
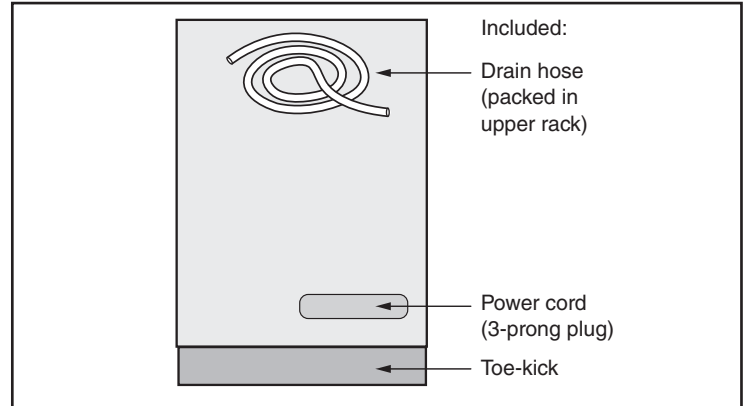
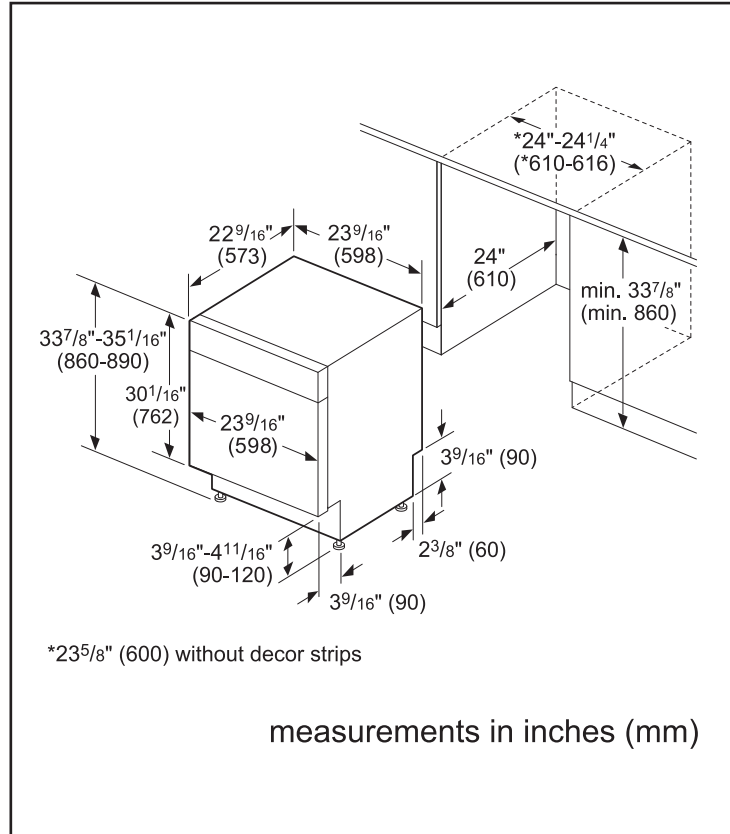
100 Series – Stainless Steel SHEM3AY55N



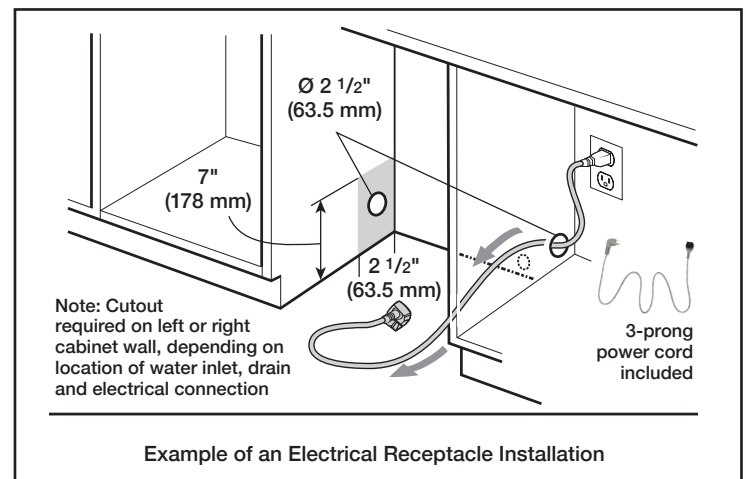
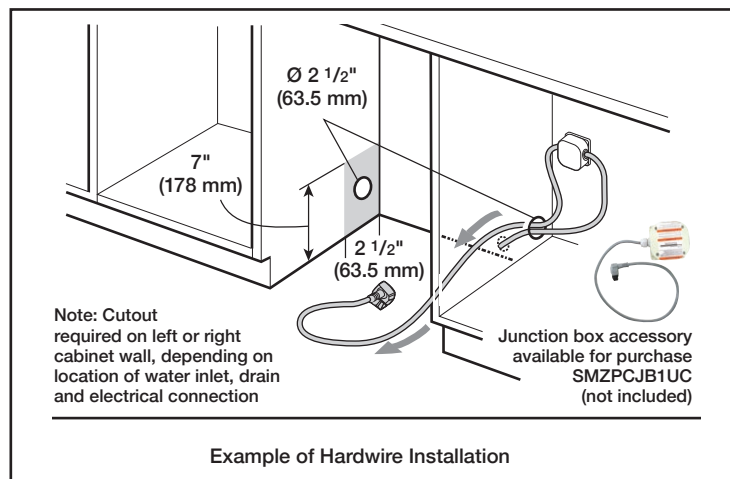
BOSCH

Invented for life

Installation Details



The electrical power cord and drain connections are in the rear of the appliance. The inlet is in the front. Extension for drain hose available as accessory. Junction Box for hard wired connection available as an accessory.



Accessories: To purchase Bosch accessories, cleaners & parts please visit www.bosch-home.com/us/store or call 1-800-944-2904 (Mon to Fri 5 am to 6 pm PST, Sat 6 am to 3 pm PST).

Notes: All height, width and depth dimensions are shown in inches. BSH reserves the absolute and unrestricted right to change product materials and specifications, at any time, without notice. Consult the product's installation instructions for final dimensional data and other details prior to making cutout.

Warranties: Please see Use & Care manual or Bosch website for statement of limited warranty.

For more information on our entire line of products, go to www.bosch-home.com/us or call 1-800-944-2904

© BSH Home Appliances Corporation. All rights reserved. Bosch is a registered trademark of Robert Bosch GmbH.

24" Recessed Handle Dishwasher

100 Series – Stainless Steel SHEM3AY55N

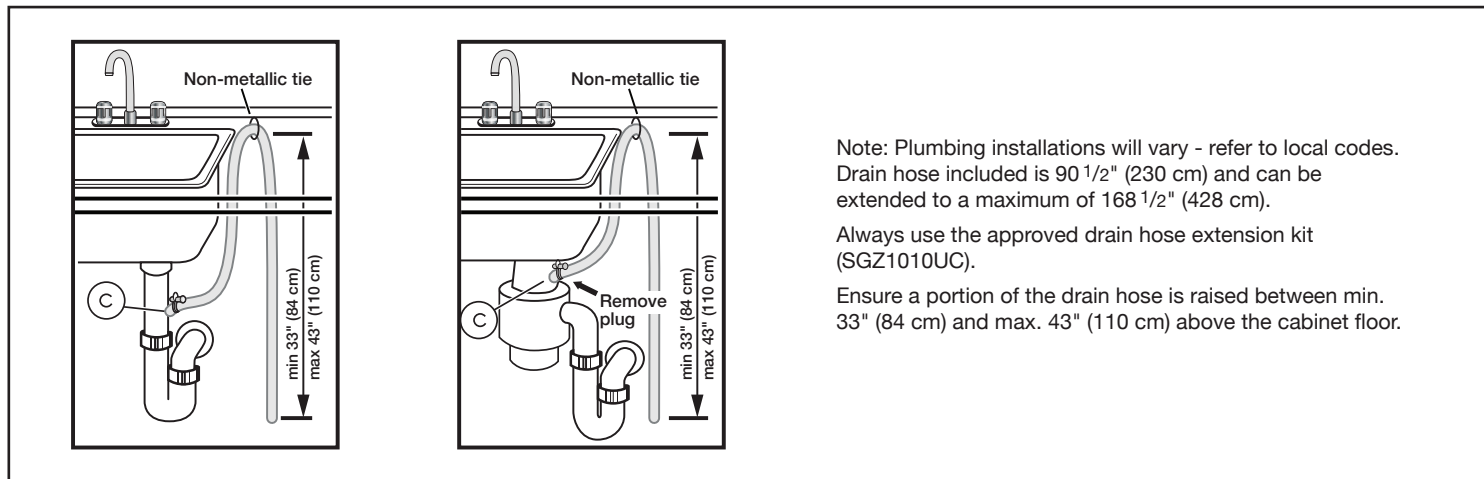


BOSCH

Invented for life



Installation Details



Note: Plumbing installations will vary - refer to local codes. Drain hose included is 90 1/2" (230 cm) and can be extended to a maximum of 168 1/2" (428 cm).

Always use the approved drain hose extension kit (SGZ1010UC).

Ensure a portion of the drain hose is raised between min. 33" (84 cm) and max. 43" (110 cm) above the cabinet floor.

Accessories: To purchase Bosch accessories, cleaners & parts please visit www.bosch-home.com/us/store or call 1-800-944-2904 (Mon to Fri 5 am to 6 pm PST, Sat 6 am to 3 pm PST).

Notes: All height, width and depth dimensions are shown in inches. BSH reserves the absolute and unrestricted right to change product materials and specifications, at any time, without notice. Consult the product's installation instructions for final dimensional data and other details prior to making cutout.

Warranties: Please see Use & Care manual or Bosch website for statement of limited warranty.

For more information on our entire line of products, go to www.bosch-home.com/us or call 1-800-944-2904

© BSH Home Appliances Corporation. All rights reserved. Bosch is a registered trademark of Robert Bosch GmbH.