

Cat.No.	A	B	C
601981-HRP	1	-	2
601982-HRP	1	-	2
601983-HRP	1	1	2
601985-HRP	1	2	-
601986-HRP	1	2	1
601987-HRP	1	1	2

NOTE: For 601988 use 2 x 601986-HRP

To install the Heat reflective panel open the door first  
 (This can be done after the full installation or by removing the door and applying it separately)

### Main Heat Panel Installation

Position the Heat reflective panel inside the door cavity.

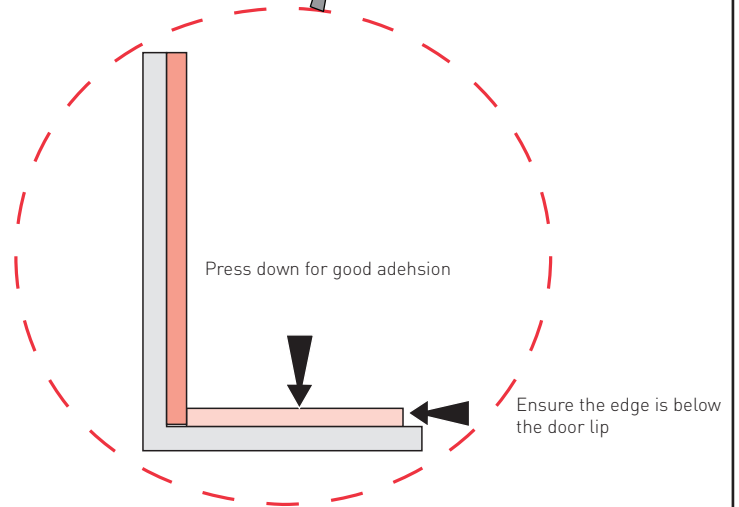
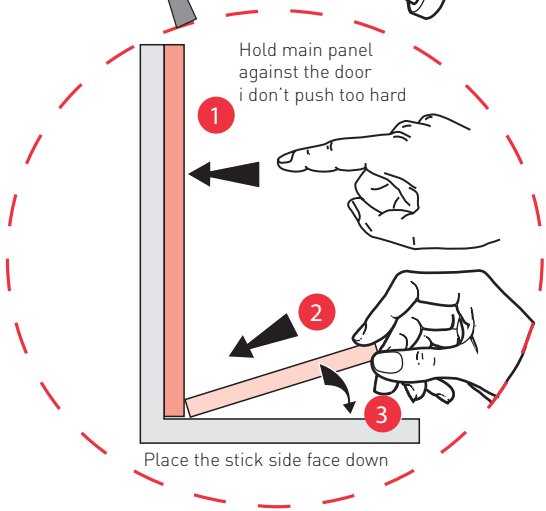
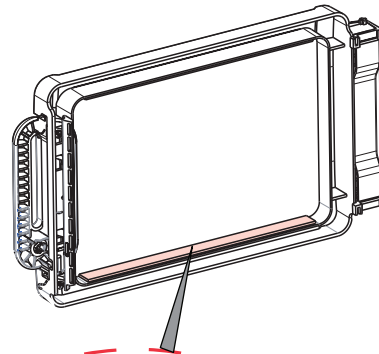
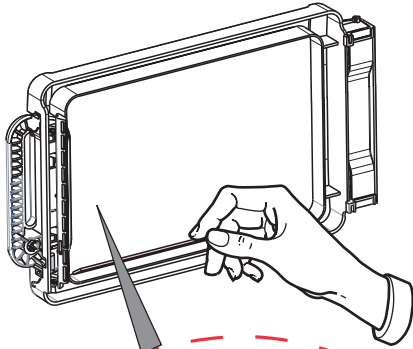
### Support Strip Installation

Peel the double sided tape from the support strips.

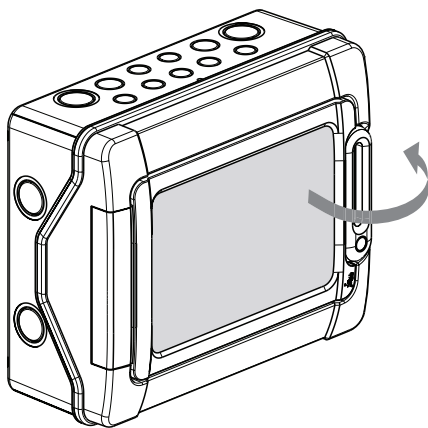
Long strip is always meant to be used in the door length, and the shorts strips to be used top/bottom.

**Note:** Don't use the strip on the handle side where crossed out  
 \* - only for 601982-HRP all 3 strips are same size.

## Support Strip Installation

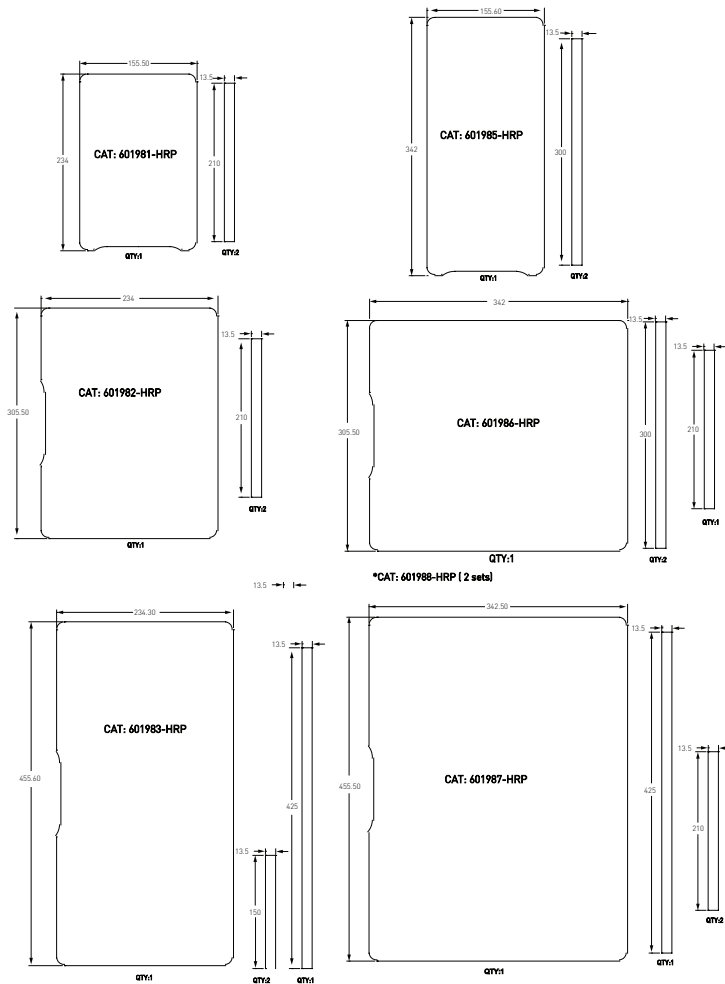


**Note:** Some doors requires 3 strips to be fixed depends on the size.  
No strip is required for handle side.



After installing the panel & support strips, make sure the door closes properly and locks in position.

## Dimensions of the Panel/Strip



### Warranty

Legrand Australia Pty Ltd will honour all statutory guarantees that you as a consumer are entitled to rely upon under the Australian and New Zealand Consumer Laws against a manufacturer, including a guarantee that this product is of acceptable quality.

To make a claim under any statutory guarantee you should first contact the supplier, or retailer from whom you purchased this product.

### Customer Service

For all Customer Service and Technical Support please call Monday to Friday during business hours.

Legrand Australia  
1300 369 777  
www.legrand.com.au

Legrand New Zealand  
0800 476 009  
www.legrand.co.nz

ABN: 31 000 102 661

