

The Intelbras logo is displayed in a green, lowercase, sans-serif font. The background of the cover features large, light gray, stylized letters 'E' and 'U' on the left and right sides, respectively.

**Intelbras**

**LSWM2ZQP2P**

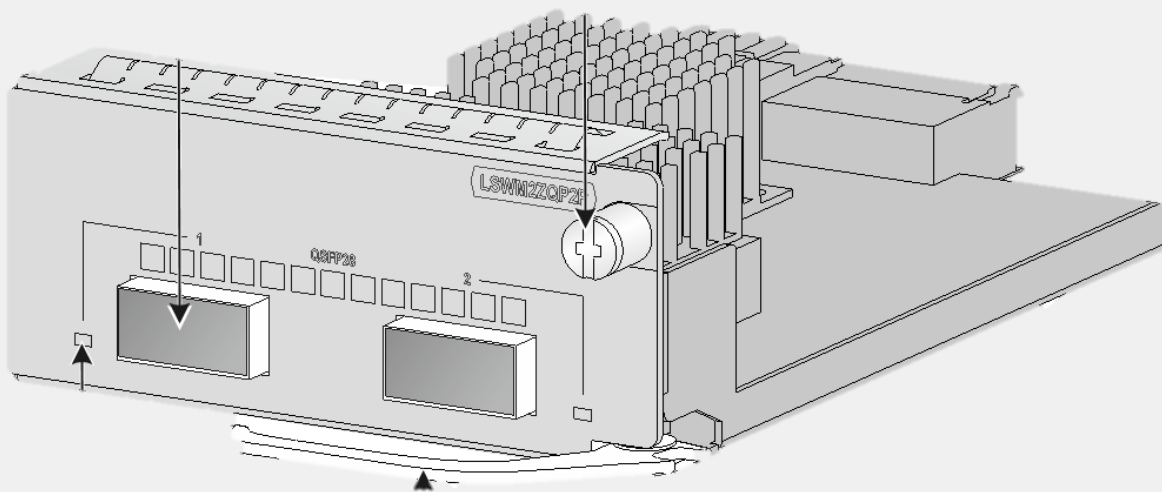
**Interface Card User**

**Manual**

# Intelbras LSWM2ZQP2P Interface Card User Manual

## Overview

The LSWM2ZQP2P interface card provides two QSFP28 ports.



The switch models that the LSWM2ZQP2P interface cards is applicable to may change over time. For the most up-to-date list of applicable switch models, contact Intelbras Support or marketing staff.

The restrictions for using the LSWM2ZQP2P vary by device model. For more information, see the installation guide or hardware information and specifications for the device.

## Installing and removing the card

Prepare the following tools before you install or remove the card: Phillips screwdriver, flat-blade screwdriver, and ESD wrist strap.

No installation tools are provided with the device. Prepare these tools yourself.

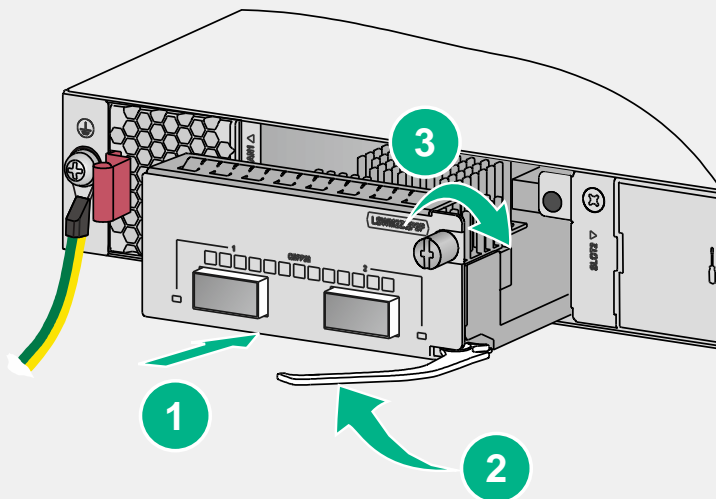
### 1 - Safety precautions

Before you install or remove the card, wear an ESD wrist strap and make sure the strap makes good skin contact and is reliably grounded.

To avoid device damage, do not use excessive force when you install or remove the card.

### 2 - Installing the card

Remove the filler panel (if any) from the target slot before installing the card. Keep the removed screw and filler panel secure for future use.



(1) Unpack the card. Insert the card slowly into the slot along the guide rails.

(2) Rotate inward the ejector lever until the card is in close contact with the switch.

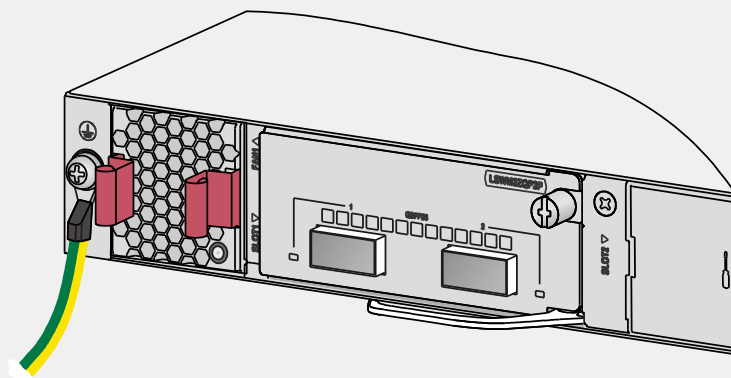
(3) Use the Phillips screwdriver to tighten the captive screw on the card.

### 3 - Removing the card

To avoid cable damage, remove the cables from the card before removing the card.

If you are not to install a new card after removing the original one, install a filler panel in the slot to prevent dust and ensure good ventilation in the device.

Place the removed card on an anti-static mat or in an anti-static bag.



- (1) Use a Phillips screwdriver to loosen the captive screw on the card.
- (2) Hold the ejector lever to pull the card outward until the card is disconnected from the connectors.
- (3) Hold the card with both hands and take it out slowly.
- (4) Installing and removing transceiver modules and cables

### Verifying the installation

After the installation is complete, determine whether the card is operating correctly. If the card fails to operate correctly, perform the following steps:

Reinstall the card following the installation procedures described in this document.

If the problem persists, contact Intelbras Support.

### Ports

You can install QSFP28 modules, QSFP28 network cables, QSFP28 to SFP28 network cables, QSFP+ modules, QSFP+ network cables, and QSFP+ to SFP+ network cables in the QSFP28 ports.

Intelbras transceiver modules and cables available for the card are subject to change over time. For the most recent list of Intelbras transceiver modules and cables available for the card, contact Intelbras Support or marketing staff.

Model	Central wavelength	Connector	Cable specifications	Modal bandwidth (MHz*km)	Max transmission distance
<b>100-GE QSFP28 transceiver modules</b>					
QSFP-100G-SR4-MM850	840~860 nm	MPO	50/125µm MMF	2000	70 m (229.66 ft)
				4700	100 m (328.08 ft)
QSFP-100G-LR4-WDM1300	Four lanes <ul style="list-style-type: none"> <li>• 1294.53~1296.59</li> <li>• 1299.02~1301.09</li> <li>• 1303.54~1305.63</li> <li>• 1308.09~1310.19</li> </ul>	LC	9/125µm SMF	N/A	10 km (6.21 miles)
QSFP-100G-LR4L-WDM1300	Four lanes <ul style="list-style-type: none"> <li>• 1264.5~1277.5</li> <li>• 1284.5~1297.5</li> <li>• 1304.5~1317.5</li> <li>• 1324.5~1337.5</li> </ul>	LC	9/125µm SMF	N/A	2 km (1.24 miles)
<b>40-GE QSFP+ transceiver modules</b>					
QSFP-40G-LR4-WDM1300	Four lanes <ul style="list-style-type: none"> <li>• 1271</li> <li>• 1291</li> <li>• 1311</li> <li>• 1331</li> </ul>	LC	9/125µm SMF	N/A	10 km (6.21 miles)
QSFP-40G-BIDI-SR-MM850	Two lanes <ul style="list-style-type: none"> <li>• 850</li> <li>• 900</li> </ul>	LC	50/125µm MMF	2000	100 m (328.08 ft)
				4700	150 m (492.12 ft)
QSFP-40G-SR4-MM850	850 nm	MPO	50/125µm MMF	2000	100 m (328.08 ft)
				4700	150 m (492.12 ft)
QSFP-40G-CSR4-MM850	850 nm	MPO	50/125µm MMF	2000	300 m (984.25 ft)
				4700	400 m (1312.33 ft)

Model	Cable length	Data rate
<b>100-GE QSFP28 copper cables</b>		
QSFP-100G-D-CAB-1M	1 m (3.28 ft)	100 Gbps
QSFP-100G-D-CAB-3M	3 m (9.84 ft)	
QSFP-100G-D-CAB-5M	5 m (16.40 ft)	
<b>100-GE QSFP28 optical cables</b>		
QSFP-100G-D-AOC-7M	7 m (22.97 ft)	100 Gbps
QSFP-100G-D-AOC-10M	10 m (32.81 ft)	
QSFP-100G-D-AOC-20M	20 m (65.62 ft)	
<b>100-GE QSFP28 to SFP28 copper cables</b>		
QSFP-100G-4SFP-25G-CAB-1M	1 m (3.28 ft)	100 Gbps
QSFP-100G-4SFP-25G-CAB-3M	3 m (9.84 ft)	
QSFP-100G-4SFP-25G-CAB-5M	5 m (16.40 ft)	
<b>40-GE QSFP+ copper cables</b>		
LSWM1QSTK0	1 m (3.28 ft)	40 Gbps
LSWM1QSTK1	3 m (9.84 ft)	
LSWM1QSTK2	5 m (16.40 ft)	
<b>40-GE QSFP+ to SFP+ copper cables</b>		
LSWM1QSTK3	1 m (3.28 ft)	40 Gbps
LSWM1QSTK4	3 m (9.84 ft)	
LSWM1QSTK5	5 m (16.40 ft)	

## LEDs

The QSFP28 port LEDs are not affected by the port LED mode switching button on your switch. For more information about the port LED mode switching button, see the installation guide for the switch.

LED Status	Description
Steady green	A transceiver module is installed in the port. The port is operating at 100 Gbps, and a link is present on the port.
Flashing green	The port is sending or receiving data at 100 Gbps.
Steady yellow	A transceiver module is installed in the port. The port is operating at 40 Gbps, and a link is present on the port.
Flashing yellow	The port is sending or receiving data at 40 Gbps.
Off	No transceiver module is installed in the port, or no link is present on the port.

Box Content: 1 x Interface Card - 2 QSFP28 ports

Compatible with: SC 5525-24X-2HE, SC 5525-48X-2HE.