

Specification Submittal Data

Panasonic Radiation Damper for Combustible Assemblies

Description:

Radiation damper shall be assembled with select ENERGY STAR® rated ventilation fans, fan/lights and fans with motion/condensation sensors. Damper shall be UL and cUL listed for wood truss assemblies and meet UL 555C for use in 1 hour fire-rated floor/ceiling or roof/ceiling assemblies as listed below. Damper shall exceed National Fire Protection Agency NFPA-90A.

Features:

- UL 555C listed for use in a 1 hour fire-rated wood truss floor/ceiling and roof/ceiling designs*
- 165 degree Fahrenheit fusible link.
- High-temperature, non-asbestos, reinforced fiber thermal fabric.
- Galvanized steel frame.
- Damper sleeve allows for fan/motor access for ongoing maintenance or framing/drywall/paint installation staging.
- Drywall support installation after drywall to make fan/damper assembly meet UL Combustible Assemblies.

* UL 555C classification for the following 1 hour UL Wood Truss Assembly Ratings: L521, L528, L546, L558, L562, L574, L576, L581, L583, L585, M509; P522, P-533, P-538, P-545 and P-547.



File #: 3225-1598:100



File #: WHI-495-PSH-0177, -0178

For complete Installation Instructions visit us.panasonic.com/ventfans

UL listed assembly with Panasonic ENERGY STAR® models:

WhisperGreen® Select
VENTILATION FAN

FV-0511VK2, FV-0511VKL2, FV-0511VKS2, FV-0511VKSL2, FV-1115VK2, FV-1115VKL2.

WhisperCeiling®
VENTILATION FAN
WhisperCeiling DC
VENTILATION FAN

FV-20VQ3, FV-30VQ3, FV-40VQ4, FV-0511VQ1, FV-1115VQ1, FV-0511VQL1, FV-1115VQL1

WhisperSense® DC
VENTILATION FAN

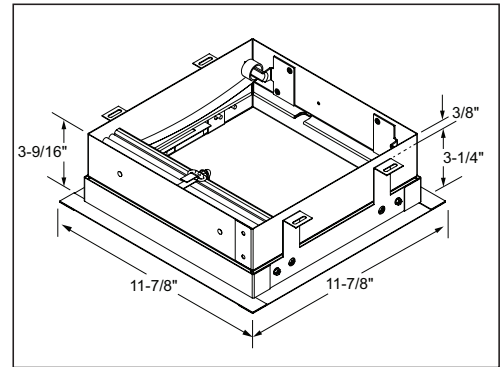
FV-0511VQC1, FV-0511VQCL1

WhisperFit® DC
VENTILATION FAN

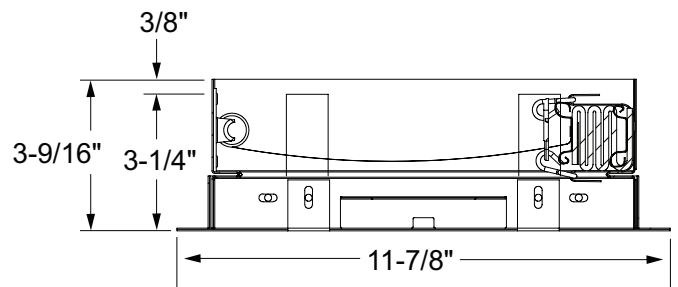
FV-0511VF1, FV-0511VFC1, FV-0511VFL1, FV-0511VFL1K

WhisperValue® DC
VENTILATION FAN

FV-0510VS1, FV-0810VSS1, FV-0510VSC1, FV-0510VSL1, FV-0810VSSL1, FV-0510VSSL1.



PC-RD05C5



Model	Quantity	Comments	Project:
			Location:
			Architect:
			Engineer:
			Contractor:
			Submitted by:
			Date:

See following page for Non-Combustible Assembly application.

Panasonic Life Solutions Company of America
IAQ Division
Two Riverfront Plaza
Newark, NJ 07102
us.panasonic.com/ventfans