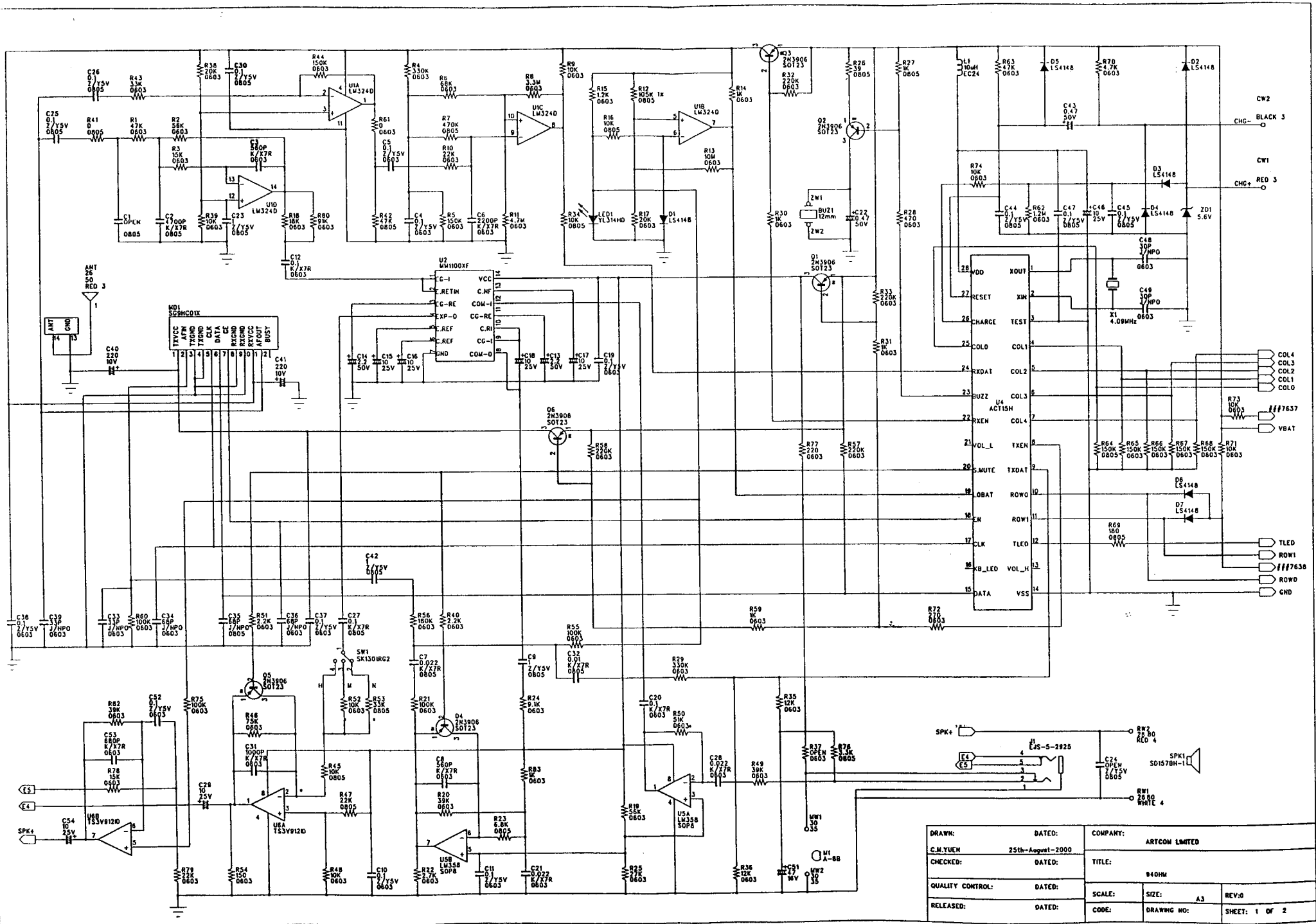


DRAWN:	DATED:	COMPANY:	ARTCOM LIMITED	
CHECKED:	DATED:	TITLE:	940 BASE MAIN	
QUALITY CONTROL:	DATED:	SCALE:	SIZE: A3	REV: 1
RELEASED:	DATED:	DRAWING NO:	SHEET: 1 OF 1	

ICC DOCUMENT



DRAWN:		DATED:		COMPANY:	
C.M.YUEN		25th-August-2000		ARTCOM LIMITED	
CHECKED:		DATED:		TITLE:	
				B40HM	
QUALITY CONTROL:		DATED:		SCALE:	SIZE: A3
RELEASED:		DATED:		CODE:	DRAWING NO: REV:0
				SHEET: 1 OF 2	

FCY DOCUMENT

6

5

4

3

2

1

D

C

B

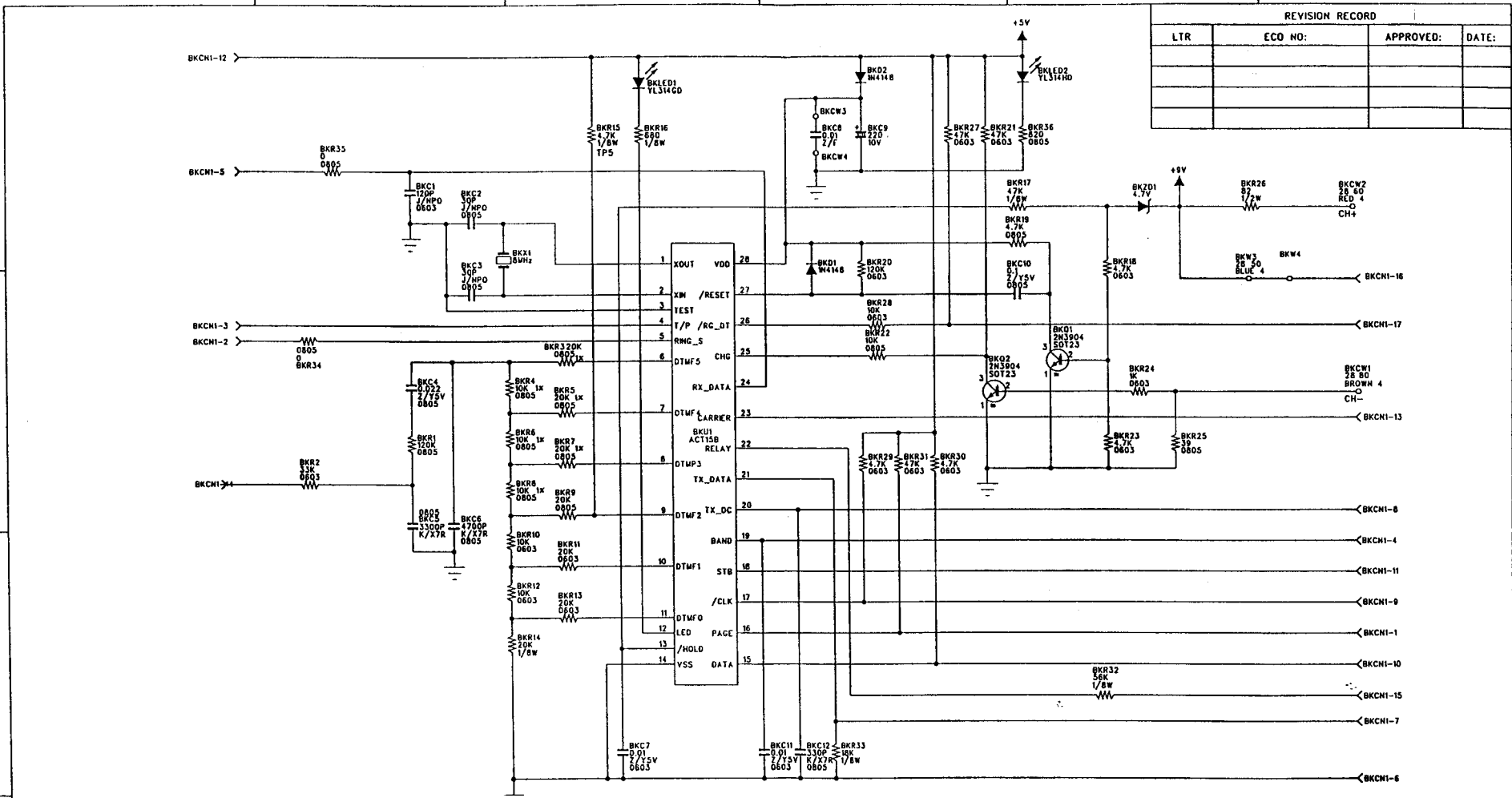
A

D

C

B

A



REVISION RECORD			
LTR	ECO NO:	APPROVED:	DATE:

COMPANY: ARTCOM LIMITED			
TITLE: 940 MCU			
DRAWN: LUJ JAN	DATED: 24th-August-2000	CODE:	SIZE:
CHECKED:	DATED:	DRAWING NO:	
QUALITY CONTROL:	DATED:	REV:	
RELEASED:	DATED:	SCALE:	
SHEET: 1 OF 1			

FCC DOCUMENT