



LucidSound[®]

LS100X

**WIRELESS
GAMING HEADSET**

CASQUE DE JEU SANS FIL

**NEW COVER
PHOTO TO COME**

USER GUIDE

GUIDE D'UTILISATION | BEDIENUNGSANLEITUNG | GUÍA DE USO | MANUALE D'USO | GUIA DO USUÁRIO

**(Inside front cover
can't be printed on)**

Accessories



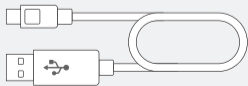
1 Boom Mic



2 Microphone Port Cover



3 USB C Charging Cable



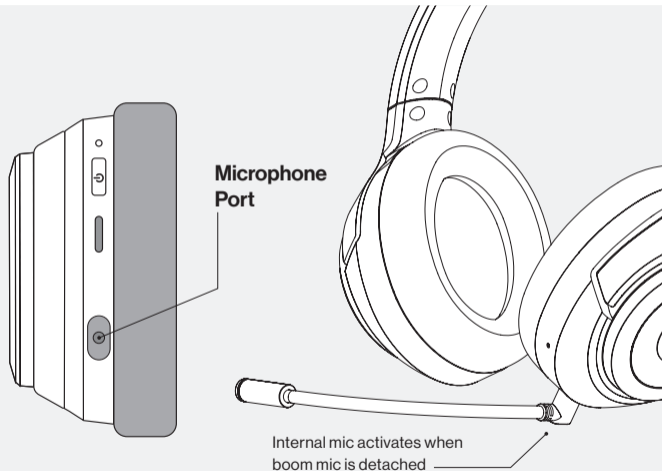
4 Wireless USB Adapter



Microphone



En



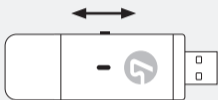
En

Setup: Wireless USB Adapter



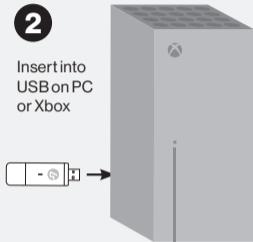
1

Select PC or Xbox



2

Insert into
USB on PC
or Xbox



3



4



!!! IMPORTANT !!!

To complete setup for Xbox
and enable Surround Sound go to:

<https://www.lucidsound.com/support>

Setup: Bluetooth



Press and hold EQ/BT
for 3 seconds.

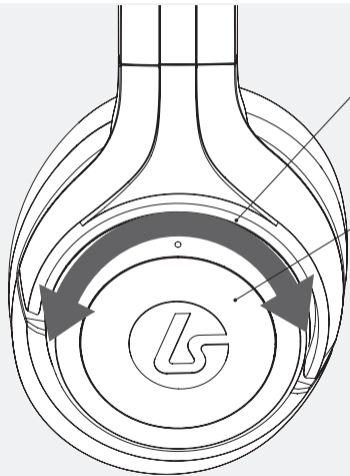
Select "LucidSound LS100X"
from your device's Bluetooth
settings.

Headset: Left Side



En

[L]



Volume Wheel

Rotate to adjust volume.
Beeps at minimum and maximum values.

Center Button

Long Hold: Toggle between Bluetooth and Gaming Mode

One Tap, Gaming Mode: Mute all audio

One Tap, Bluetooth Mode: Play/Pause/Answer/End Call

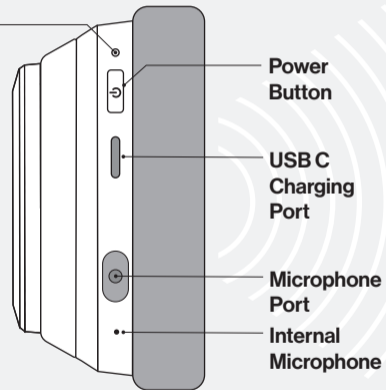
Double Tap: Check battery level, voice prompt will indicate level

Power/Charging LED

Solid: On/Connected/Charged

Slow Blink: Not connected

Pulsing: Charging



Power Button

USB C Charging Port

Microphone Port

Internal Microphone

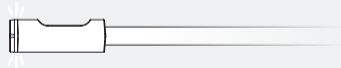


[R]

Wheel**Gaming Mode:** Game/Chat Balance

Rotate to adjust the game/chat balance.

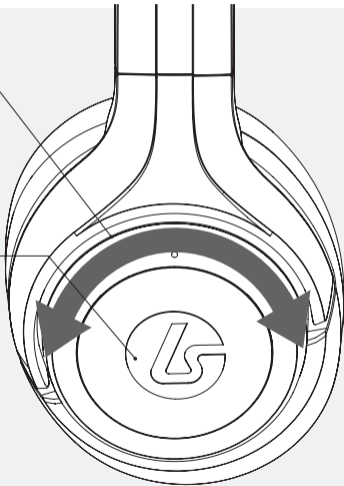
Beeps at minimum and maximum values and double beeps at 50% game/chat balance.

Bluetooth Mode: Rotate to track forward/back.**Center Button****One Tap:** Mic mute/unmute

LED on Boom Mic illuminates when muted.

Long Hold: Mic Monitor On/Off.

Voice prompt will indicate change.

**Bluetooth LED Indicator****Solid:** On/Connected**Slow Blink:** Not connected**Fast Blink:** Pairing mode**EQ/Bluetooth Button****One Tap:** Cycle through EQ modes:

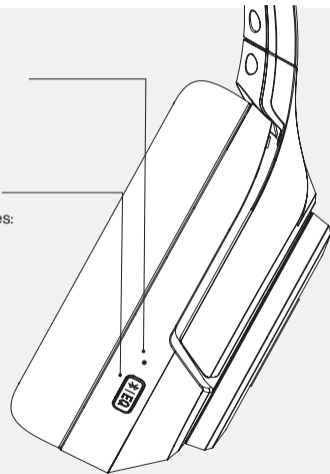
Signature Sound, Bass Boost, and FPS

Long Hold (3 seconds):

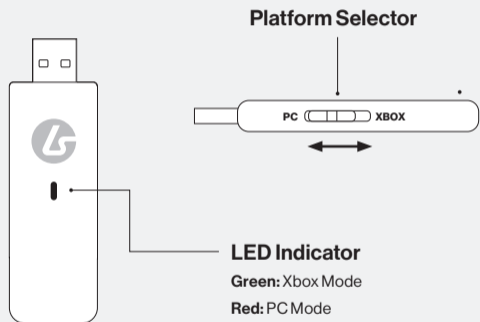
Activates Bluetooth pairing

BLUETOOTH MODE**Hold** (1 second): Activate

Siri/Google on iOS/Android



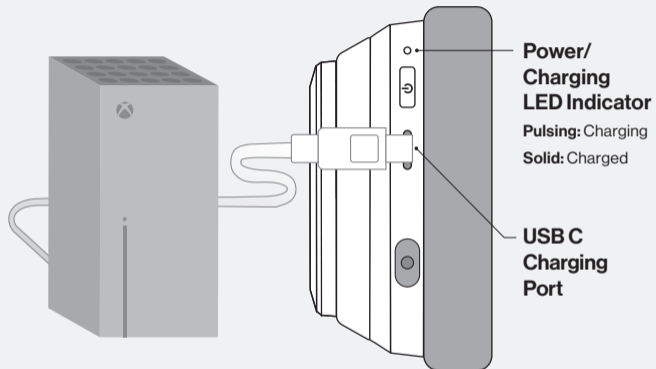
Wireless USB Adapter



Charging



En



NOTE: Remember to charge your headset at least once every 30 – 60 days when either the low battery indicator is active, or the battery is depleted so that the battery retains its ability to charge. Remember to fully charge the headset at least once a year if the headset will not be used for an extended period of time so that the battery retains its ability to charge. Battery capacity will gradually reduce over time with repeated charging.

TROUBLESHOOTING

For latest FAQs, visit
LucidSound.com/support

Why do I hear static or no sound?

Ensure the Wireless Headset is paired with the console/device by referencing the LED indicators. Make sure the Volume Wheel is not set to minimum. On Xbox make sure that the Game/Chat Balance Wheel is not maxed out to either Game or Chat audio. Check console/device menu settings to ensure sound is being output to the headset.

Why can't my friends hear me?

Make sure that the Boom Mic is securely attached to the headset, and that the Boom Mic LED is not on. Check console/device menu settings to ensure the headset microphone is selected for input.

COMPLIANCE IDENTIFICATION

TRANSMITTER

Model: XBHS0007 TX
FCC ID: YFK-LS100XAB
IC: 9246A-LS100XAB

HEADSET

Model No.: XBHS0007-01
FCC ID: YFK-LS100AA
IC: 9246A-LS100AA

RF FREQUENCY: 2.402 GHz to 2.480 GHz

OUTPUT POWER: TX=7dBm; RX=9dBm
INPUT POWER: 3.7V, 850mAh

MANUFACTURER: ACCO Brands USA, LLC
4 Corporate Way, Lake Zurich, Illinois
60047 United States
ACCOBrands.com | LucidSound.com
Made in China

FCC STATEMENT

This device complies with Part 15 of the FCC Rules. Operation is subject to the following two conditions:

(1) this device may not cause harmful interference, and (2) this device must accept any interference received, including interference that may cause undesired operation.

WARNING: Changes or modifications to this unit not expressly approved by the party responsible for compliance could void the user's authority to operate the equipment.

NOTE: This equipment has been tested and found to comply with the limits for Class B digital device, pursuant to Part 15 of the FCC Rules. These limits are designed to provide reasonable protection against harmful interference in a residential installation. This equipment generates, uses and can radiate radio frequency energy and, if not installed and used in accordance with the instructions, may cause harmful interference

to radio communications. However, there is no guarantee that interference will not occur in a particular installation. If this equipment does cause harmful interference to radio or television reception, which can be determined by turning the equipment off and on, the user is encouraged to try to correct the interference by one or more of the following measures:

- Reorient or relocate the receiving antenna.
- Increase the separation between the equipment and receiver.
- Connect the equipment into an outlet on a circuit different from that to which the receiver is connected.
- Consult the dealer or an experienced radio/TV technician for help.

FCC Caution: To assure continued compliance, any changes or modifications not expressly approved by the party responsible for compliance could void the user's authority to operate this equipment. (Example - use only shielded interface cables when connecting to computer or peripheral devices).

FCC Radiation Exposure Statement:

This equipment complies with FCC RF radiation exposure limits set forth for an uncontrolled environment.

This transmitter must not be co-located

or operating in conjunction with any other antenna or transmitter.

CANICES-003(B)/NMB-003(B)

This device contains licence-exempt transmitter(s)/receiver(s) that comply with Innovation, Science and Economic Development Canada's licence-exempt RSS(s). Operation is subject to the following two conditions:

1. This device may not cause interference;
2. This device must accept any interference, including interference that may cause undesired operation of the device.

This equipment complies with IC RSS-102 radiation exposure limit set forth for an uncontrolled environment.

IC SAR COMPLIANCE

This equipment could be installed and operated with minimum distance 0cm between the radiator and your body. End user must follow the specific operating instructions for satisfying RF exposure compliance. This transmitter must not be co-located or operating in conjunction with any other antenna or transmitter. The portable device is designed to meet the requirements for exposure to radio waves established by the ISED. These requirements set a SAR limit of 1.6 W/kg averaged over one gram of tissue. The highest SAR value reported under this standard during product

certification for use when properly worn on the body/ head.



HEARING DAMAGE RISK

High sound pressure! Do not listen at high volumes for long periods.

BATTERY WARNING

Don't attempt to replace the rechargeable battery yourself- you may damage the battery, which could cause overheating, fire, and injury.

The Lithium-ion battery in your device should be serviced or recycled by PowerA or an authorized provider and must be recycled or disposed of separately from household waste.

Dispose of batteries according to your local environment laws and guidelines.

Don't use or leave the product containing rechargeable batteries exposed to very high or very low temperature (e.g. at strong direct sunlight or in a vehicle in extremely hot or extremely cold weather), or in an environment with extremely low air pressure can result in an explosion, fire, or the leakage of flammable liquid or gas.

Don't use this product in a location where static electricity is rich, otherwise, the internal safety devices may be damaged, causing a harmful situation.

In case the electrolyte gets into the eyes

due to the leakage of battery, do not rub eyes! Rinse eyes with clean running water and seek medical attention immediately. Otherwise, it may injure eyes or cause a loss of sight.

If the battery gives off an odor, generates heat, or in any way appears abnormal during use, recharging or storage, immediately remove it from battery charger and place it in a safe spill-proof storage, made of glass or metal.

Be aware discarded batteries may cause fire. Do not heat this product or throw it into fire, or mechanically crush or cut the battery.

DECLARATION OF CONFORMITY

Trade Name: LucidSound

Model No.: XBHS0007-01

US Company Name: ACCO Brands USA, LLC

Address: 4 Corporate Way, Lake Zurich, Illinois 60047 United States

Internet contact information:
ACCOBrands.com | LucidSound.com

Hereby, ACCO Brands USA, LLC at 4 Corporate Way, Lake Zurich, Illinois 60047 USA, is marketing this device under the brand name LucidSound and declares

that this wireless headset is in compliance with Directive 2014/53/EU. The full text of the EU Declaration of Conformity is available at the following internet address: LucidSound.com/EUDOC

REGIONAL COMPLIANCE SYMBOLS

More information available via web-search of each symbol name.



The **WEEE** (Waste of electrical and electronic equipment) symbol requires battery disposal outside of other household waste per local regulations. Contact your city office, waste disposal service, or retailer for guidance.



The **CE** (Conformité Européene aka European Conformity) mark is a declaration from the manufacturer that the product meets applicable European Directives and Regulations for health, safety, and environmental protection.



The **UKCA** (UK Conformity Assessment) mark is a declaration from the manufacturer that the product meets applicable UK Regulations for health, safety, and environmental protection.



The **Regulatory Compliance Mark** is a visible indication of a product's compliance with all applicable ACMA (Australian Communications and Media Authority) regulatory arrangements, including all technical and record-keeping requirements regarding the electrical safety and/or electromagnetic compatibility (EMC).

RoHS

This product has been certified as RoHS compliant in accordance with Directive 2011/65/CE.

WARRANTY

USA and worldwide: 1-Year limited warranty

Europe: 2-Year limited warranty
Visit LucidSound.com/Warranty for details.

Australian Warranty Statement:

Our goods come with guarantees that cannot be excluded under the Australian Consumer Law. You are entitled to a 1 year replacement warranty in which you are entitled to have the goods repaired or replaced if the goods fail to be of

acceptable quality and the failure does not amount to a major failure.

What you must do: If a defect has appeared within 90 days from the date of purchase, the product may be returned to the retailer for a replacement.

If a defect has appeared after 90 days from the date of purchase, you must initiate a repair by following the online repair process at www.LucidSound.com.au.

Once all details are completed, you will receive a return authorisation number. Then, label and ship your LucidSound headset – including the return authorisation (RA) number, freight prepaid, to LucidSound's authorised repair centre.

LucidSound
c/o Tecworks International Pty Ltd
Unit 1 / 12 Tollis Place
Seven Hills NSW 2141

Please ensure the return authorisation (RA) number is prominently displayed on the outside of your packaging. The cost incurred to return the product to the retailer or to the authorised repair centre as part of a Warranty claim are your responsibility.

What we will do:

During the Warranty Period, we will, at our option, repair or replace the product or any defective parts. We will also bear the reasonable costs of standard return shipping. If this cannot be done, then we will refund the purchase price to you.

AU wholesale distributor:

Level 2, 2 Darling Street South Yarra, Australia VIC 3141 | bluemouth.com.au | +61 (3) 9867 2666
Email: support@bluemouth.com.au

Additional Legal

© 2022 ACCO Brands, LLC, LLC. LucidSound, the LucidSound logo, PowerA, and the PowerA logo are trademarks of ACCO Brands Corporation.

Microsoft, Xbox, Xbox "Sphere" Design, Xbox Series X|S, Xbox One, and Windows are trademarks of the Microsoft group of companies. All other trademarks are the property of their respective owners. All rights reserved.

The shape and design of this product is a trade dress of ACCO Brands USA LLC. Product features, appearance and specifications may be subject to change without notice. Please retain this information for future reference.

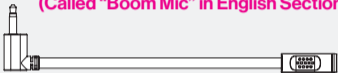
Accessoires / Zubehör / Accessori / Accesorios / Acessórios



1

Microphone / Mikrofon
Microfono / Micrófono
Microfone

(Called "Boom Mic" in English Section?)



2

Microphone Port Cover
Microphone Port Cover
Microphone Port Cover
Microphone Port Cover
Microphone Port Cover



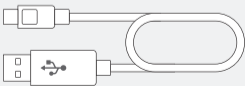
4

Émetteur sans fil
Kabelloser Sender
Trasmettitore wireless
Transmisor inalámbrico
Transmissor sem fios

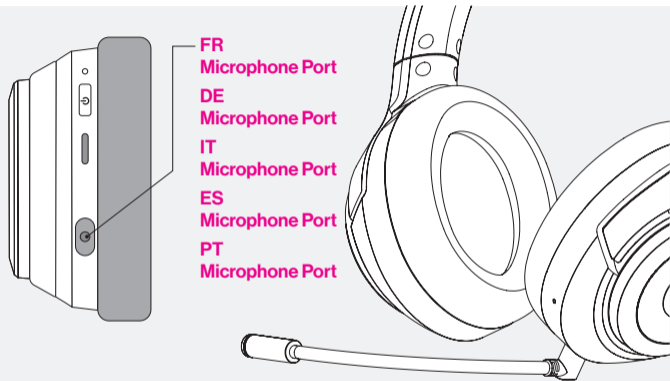


3

Câble de charge USB C
USB-C Ladekabel
Cavo di ricarica USB C
Cable de carga USB C
Cabo de carga USB C



Microphone / Mikrofon Microfono / Micrófono Microfone



FR
Microphone Port
DE
Microphone Port
IT
Microphone Port
ES
Microphone Port
PT
Microphone Port

Le micro interne s'active lorsque le micro perche est détaché
Internes Mikrofon wird bei Entfernung des Galgenmikrofons aktiviert
Il microfono interno si attiva quando il microfono ad asta è staccato
El micrófono interno se activa cuando se desconecta el micrófono jirafa
O microfone interno é ativado quando o microfone boom é desconectado

Configuration / Einrichtung / Configurazione / Configuración / Configuração:
Émetteur sans fil / Kabelloser Sender
Trasmittitore wireless / Transmisor inalámbrico / Transmissor sem fios



Configuration / Einrichtung / Configurazione
Configuración / Configuração: Bluetooth



Fr / De
It / Es
Pt

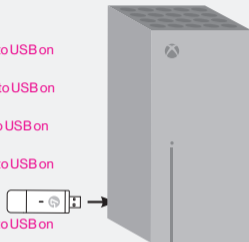
1

FR Select PC or Xbox
DE Select PC or Xbox
IT Select PC or Xbox
ES Select PC or Xbox
PT Select PC or Xbox



2

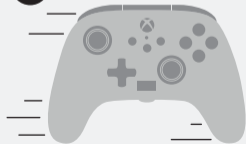
FR Insert into USB on PC or Xbox
DE Insert into USB on PC or Xbox
IT Insert into USB on PC or Xbox
ES Insert into USB on PC or Xbox
PT Insert into USB on PC or Xbox



3



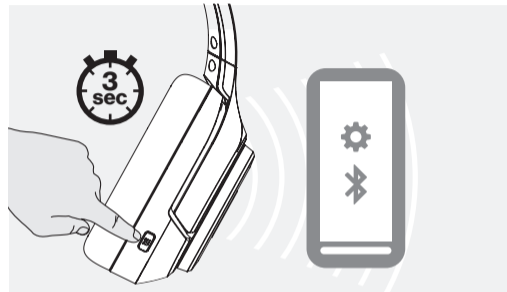
4



!!! IMPORTANT / WICHTIG / IMPORTANTE !!!

Pour terminer la configuration de la Xbox et activer le son Surround, accédez à :
Um die Einrichtung für die Xbox abzuschließen und Surround-Sound zu aktivieren, gehen Sie zu:
Per completare la configurazione per Xbox e abilitare l'audio surround, vai su:
Para completar la configuración de Xbox y habilitar el sonido envolvente, ve a:
Para concluir a configuração para Xbox e ativar o som surround, acede a:

<https://www.lucidsound.com/support>



Appuyez et maintenez EQ / BT pendant 3 secondes.

EQ / BT 3 Sekunden lang drücken und halten.

Tieni premuto EQ/BT per 3 secondi.

Mantenga pulsado EQ/BT durante 3 segundos.

Prima o botão EQ/BT durante 3 segundos.

Sélectionnez « LucidSound LS100 » dans les paramètres Bluetooth de votre appareil.

Wählen Sie in den Bluetooth-Einstellungen Ihres Geräts „LucidSound LS100“ aus.

Seleziona "LucidSound LS100" dalle impostazioni Bluetooth del tuo dispositivo.

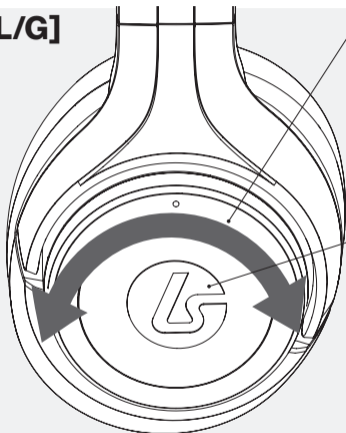
Selecione "LucidSound LS100" en la configuración de Bluetooth de su dispositivo.

Selecione "LucidSound LS100" a partir das definições de Bluetooth do seu dispositivo.

Casque / Headset / Cuffie / Auriculares / Auscultadores



[L/G]



Molette de volume Tourner pour régler le volume. Émet un bip aux valeurs minimales et maximales

Lautstärkereglér Zur Lautstärkeregelung drehen. Signalton bei Erreichen des Minimal- bzw. Maximalwerts.

Rotellina di regolazione del volume Ruotare per regolare il volume. Bip ai valori minimi e massimi.

Rueda de volumen Gire para ajustar el volumen. Emite un pitido en los valores mínimo y máximo.

Roda de volume Rode para ajustar o volume. Emite um sinal sonoro nos valores mínimos e máximos.

Bouton central Maintien prolongé : basculez entre le mode Bluetooth et le mode jeu. Toucher une fois en mode jeu : coupe le son. Toucher une fois en mode Bluetooth : lecture / pause / répondre / fin d'appel. Toucher deux fois : vérifie le niveau de la batterie, un message vocal en indiquera le niveau.

Mitteltaste Gedrückt halten: Umschalten zwischen Bluetooth- und Gaming-Modus. Einmal Tippen, Gaming-Modus: Alle Töne stummschalten. Einmal Tippen, Bluetooth-Modus: Wiedergabe / Pause / Anruf annehmen / Anruf beenden. Doppeltippen: Akkuladestand prüfen, Sprachansage nennt den Ladestand.

Pulsante centrale Tocco prolungato: alterna tra Bluetooth e modalità di gioco. Un tocco, modalità di gioco: disattiva tutto l'audio. Un tocco, modalità Bluetooth: riproduci/pausa/rispondi/termina chiamata. Doppio tocco: controlla il livello della batteria, un messaggio vocale indicherà il livello.

Botão central Premir Longamente: Alternar entre o Modo Bluetooth e o Modo de Jogo. Um Toque, Modo de Jogo: Silenciar todo o áudio. Um Toque, Modo Bluetooth: Reproduzir/Pausar/Atender/Desligar Chamadas. Toque Duplo: Verificar o nível da bateria, um aviso de voz irá indicar o nível.

Botón central Retención prolongada: Alternar entre Bluetooth y modo de juego. Un toque en modo de juego: silenciar todo el audio. Un toque en modo Bluetooth: reproducir/pausar/responder/finalizar llamada. Doble toque: verificar nivel de la batería, el mensaje de voz indicará el nivel.

Voyant LED d'alimentation/de charge

Fixe = Actif/Connecté/Chargé
Clignotement lent = Non connecté
Clignotement = En charge

Stromversorgungs-/Lade-LED

Durchgehend = Ein/Verbunden/Geladen
Langsames Blinken = Nicht angeschlossen
Pulsierend = Wird geladen

Ledi di alimentazione/ricarica

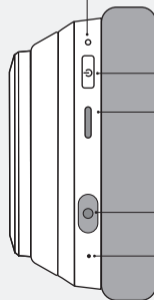
Fisso = Acceso/Connesso/Carica completa
Lampeggiamento lento = Non connesso
Lampeggiante = In carica

LED de encendido/carga

Fijo = Encendido/Conectado/Cargado
Parpadeo lento = No conectado
Intermitente = Cargando

LED de alimentação/carregamento

Fixo = Ligado/Ativo/Carregado
A piscar lentamente = Não ligado
A piscar = Em carregamento



Bouton d'alimentation / Netzschalter / Pulsante di accensione / Botón de encendido / Botão de alimentação

Connecteur de charge USB / USB-Ladeanschluss / Porta di ricarica USB / Puerto de carga USB / Porta de carregamento USB

Port microphone / Mikrofonanschluss / Porta per il microfono / Puerto de micrófono / Porta do microfone

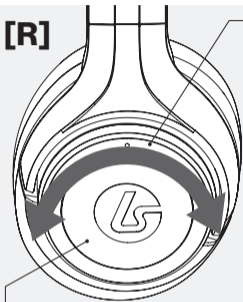
Micro interne / Micrófono interno / Internes Mikrofon / Microfono interno / Microfone interno

Casque / Headset / Cuffie / Auriculares / Auscultadores



Fr / De
It / Es
Pt

[R]



Molette droite Mode de jeu : mixeur jeu / chat. Tourner pour régler le mixeur jeu / chat. Émet un bip aux valeurs minimales et maximales et un double bip lorsque le mixeur jeu / chat est à 50%. Molette Bluetooth: Tourner pour passer à la piste suivante / précédente.

Rechtes Drehrad Gaming-Modus: Gaming- / Chat-Abstimmung Drehen, um das Verhältnis zwischen Gaming und Chat einzustellen. Signalton bei Minimal- bzw. Maximalwert sowie zwei Signaltöne bei jeweils 50% Gaming und Chat. Bluetooth-Modus: Drehen, um vorwärts / zurück zu springen.

Ruota a destra Modalità di gioco: equilibrio gioco/chat. Ruota per regolare equilibrio gioco/chat. Emette un segnale acustico ai valori minimo e massimo e due segnali acustici al livello 50% gioco/chat. Modalità Bluetooth: ruota per tracciare avanti/indietro.

Rueda derecha Modo de juego: en PlayStation, gírelo para ajustar el nivel de monitorización del micrófono. En el PC, gire para ajustar el nivel de volumen del chat. Emite un pitido en los valores mínimo y máximo. Modo Bluetooth: gírelo para seguir adelante/atrás.

Roda Direita Modo de Jogo: Balanço Jogo/Chat. Rode para ajustar o balanço de som entre o jogo e o chat. Emite um sinal sonoro nos valores mínimo e máximo, e um sinal sonoro duplo na posição intermédia de 50% entre o jogo e o chat. Modo Bluetooth: Rode para passar para a faixa seguinte/anterior.

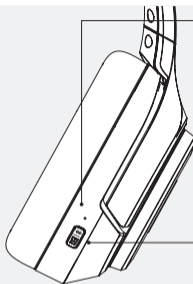
FR Center button Toucher une fois : couper / rétablir le micro. Maintien prolongé : Mic Monitor activé / désactivé. Un message vocal indiquera le changement.

DE Center button Einmal Tippen: Mikrofon stummschalten / freigeben. Gedrückt halten: Mikrofonmonitor Ein / Aus. Sprachansage informiert über Änderung.

IT Center button Un tocco: Microfono muto/attivato. Tocco prolungato: monitor microfono acceso/spento. Il messaggio vocale indicherà il cambiamento.

ES Center button Un toque: silenciar/sonorizar micrófono. Retención prolongada: encender/apagar el monitor del micrófono. El mensaje de voz indicará el cambio.

PT Center button Un toque: silenciar/sonorizar micrófono. Premir Longamente: Ligar/Desligar Monitorização do Microfone. Um aviso de voz irá indicar a alteração.



Indicateur LED pour le Bluetooth Fixe : allumé / connecté. Clignotement lent : non connecté. Clignotement rapide : mode couplage.

Bluetooth-LED-Anzeige Durchgehend: An / Verbunden. Langsames Blinken: Nicht verbunden. Schnelles Blinken: Kopplungsmodus.

Indicatore LED Bluetooth Fisso: acceso/connesso. Lampeggio lento: non connesso. Lampeggio veloce: modalità associazione.

Indicador LED de Bluetooth Permanente: encendido/conectado. Parpadeo lento: no conectado. Parpadeo rápido: modo de emparejamiento.

Indicador LED do Bluetooth Contínuo: Ligado/Conectado. A piscar lentamente: Não conectado. A piscar rapidamente: Modo de emparelhamento.

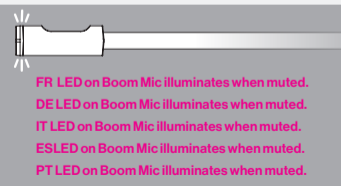
Bouton EQ/Bluetooth Toucher une fois : parcourir les modes d'égalisation : Signature Sound, Bass Boost et FPS. Maintien prolongé (3 secondes) : active le couplage Bluetooth. **Bluetooth mode: Hold (1 second): Activate Siri/Google on iOS/Android.**

EQ/Bluetooth-Taste Einmal Tippen: EQ-Modi durchlaufen: Typischer Sound, Bassklang und FPS. Gedrückt halten (3 Sekunden): Aktiviert die Bluetooth-Kopplung. **Bluetooth mode: Hold (1 second): Activate Siri/Google on iOS/Android.**

Pulsante EQ/Bluetooth Un tocco: passa tra l'una e l'altra delle seguenti modalità EQ: Signature Sound, Bass Boost e FPS. Tocco prolungato (3 secondi): attiva associazione Bluetooth. **Bluetooth mode: Hold (1 second): Activate Siri/Google on iOS/Android.**

Botón EQ/Bluetooth Un toque: recorre los modos EQ: Signature Sound, Bass Boost y FPS. Mantener presionado (3 segundos): activa el emparejamiento de Bluetooth. **Bluetooth mode: Hold (1 second): Activate Siri/Google on iOS/Android.**

Botão de EQ/Bluetooth Um Toque: Percorre os modos de Equalização: Configuração Especial, Reforço de Graves e FPS. Premir Longamente (3 segundos): Ativa o emparelhamento do Bluetooth



FR LED on Boom Mic illuminates when muted.

DE LED on Boom Mic illuminates when muted.

IT LED on Boom Mic illuminates when muted.

ES LED on Boom Mic illuminates when muted.

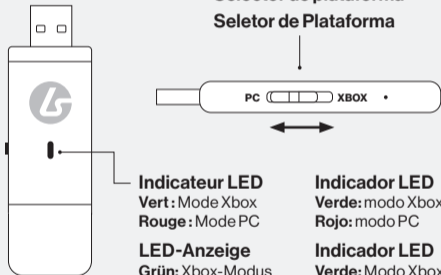
PT LED on Boom Mic illuminates when muted.



Charging / Charging / Charging / Charging / Charging



Sélecteur de plate-forme
Plattform-Auswahl
Selettore piattaforma
Selector de plataforma
Seletor de Plataforma



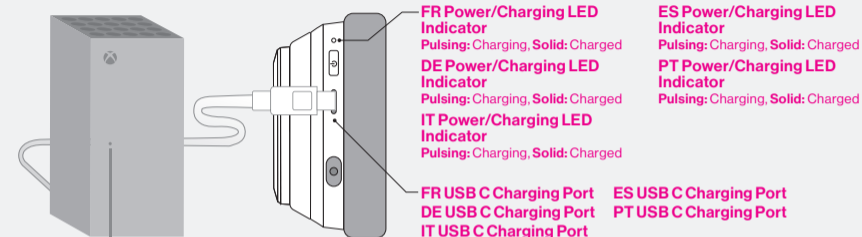
Indicateur LED
Vert : Mode Xbox
Rouge : Mode PC

LED-Anzeige
Grün : Xbox-Modus
Rot : PC-Modus

Indicatore LED
Verde : modalità Xbox
Rosso : modalità PC

Indicador LED
Verde : modo Xbox
Rojo : modo PC

Indicador LED
Verde : Modo Xbox
Vermelho : Modo
Computador



FR NOTE: Remember to charge your headset at least once every 30 – 60 days when either the low battery indicator is active, or the battery is depleted so that the battery retains its ability to charge. Remember to fully charge the headset at least once a year if the headset will not be used for an extended period of time so that the battery retains its ability to charge. Battery capacity will gradually reduce over time with repeated charging.

DE NOTE: Remember to charge your headset at least once every 30 – 60 days when either the low battery indicator is active, or the battery is depleted so that the battery retains its ability to charge. Remember to fully charge the headset at least once a year if the headset will not be used for an extended period of

time so that the battery retains its ability to charge. Battery capacity will gradually reduce over time with repeated charging.

IT NOTE: Remember to charge your headset at least once every 30 – 60 days when either the low battery indicator is active, or the battery is depleted so that the battery retains its ability to charge. Remember to fully charge the headset at least once a year if the headset will not be used for an extended period of time so that the battery retains its ability to charge. Battery capacity will gradually reduce over time with repeated charging.

ES NOTE: Remember to charge your headset at least once every 30 – 60 days when either the low battery indicator is active, or the battery is depleted so that

the battery retains its ability to charge. Remember to fully charge the headset at least once a year if the headset will not be used for an extended period of time so that the battery retains its ability to charge. Battery capacity will gradually reduce over time with repeated charging.

PT NOTE: Remember to charge your headset at least once every 30 – 60 days when either the low battery indicator is active, or the battery is depleted so that the battery retains its ability to charge. Remember to fully charge the headset at least once a year if the headset will not be used for an extended period of time so that the battery retains its ability to charge. Battery capacity will gradually reduce over time with repeated charging.

COMPLIANCE IDENTIFICATION TRANSMITTER

Modèle: XBHS0007 TX
FCC ID: YFK-LS100XAB
IC: 9246A-LS100XAB

HEADSET

Modèle No.: XBHS0007-01
FCC ID: YFK-LS100AA
IC: 9246A-LS100AA

FRÉQUENCE RF: 2.402 GHz to 2.480 GHz
PUISSANCE DE SORTIE: TX=7dBm;
RX=9dBm

LA PUISSANCE D'ENTRÉE: 3.7V, 850mAh

FABRICANT: ACCO Brands USA, LLC
4 Corporate Way, Lake Zurich, Illinois
60047 United States
ACCOBrands.com | LucidSound.com
Fabriqué en Chine

DÉCLARATION DE LA FCC

Cet appareil est conforme à la partie 15 de la réglementation de la FCC. Son utilisation est soumise aux deux conditions suivantes :

1) cet appareil ne doit pas provoquer d'interférences nocives, et 2) il doit pouvoir supporter tout type d'interférences, y compris celles susceptibles de provoquer un fonctionnement indésirable.

AVERTISSEMENT : Toutes modifications apportées à cet appareil et non

expressément approuvées par la partie responsable de la conformité peuvent annuler l'autorisation de l'utilisateur pour utiliser cet équipement.

REMARQUE : Cet équipement a été testé et est conforme aux limites des appareils numériques de la classe B, conformément à la partie 15 de la réglementation de la FCC. Ces limites sont destinées à assurer une protection raisonnable contre les interférences nuisibles dans un environnement résidentiel. Cet équipement génère, utilise et peut émettre de l'énergie à haute fréquence (HF) et, s'il n'est pas installé et utilisé conformément aux instructions, peut provoquer des interférences nuisibles aux communications radio. Cependant, rien ne garantit qu'aucune interférence ne se produira dans une installation donnée. Si cet équipement provoque des interférences nuisibles à la réception de la radio ou de la télévision, ce qui peut être vérifié en mettant l'équipement hors tension puis sous tension, l'utilisateur est invité à essayer de corriger ces interférences en prenant une ou plusieurs des mesures suivantes :

- Réorienter ou déplacer l'antenne de réception.
- Augmenter la distance entre l'équipement et le récepteur.

- Connecter l'équipement à une prise d'un circuit électrique différent de celui sur lequel est branché le récepteur.

- Consulter le revendeur ou un technicien spécialisé en radiotélévision.

CANICES-3(B)/NMB-3(B)

L'émetteur/récepteur exempt de licence contenu dans le présent appareil est conforme aux CNR d'Innovation, Sciences et Développement économique Canada applicables aux appareils radio exempts de licence. L'exploitation est autorisée aux deux conditions suivantes :

1. L'appareil ne doit pas produire de brouillage;
2. L'appareil doit accepter tout brouillage radioélectrique subi, même si le brouillage est susceptible d'en compromettre le fonctionnement.

Cet équipement est conforme aux CNR-102 d'Industrie Canada.

CONFORMITÉ IC SAR

Cet équipement peut être installé et utilisé avec une distance minimale de 0cm entre le radiateur et votre corps. L'utilisateur final doit suivre les instructions spécifiques pour satisfaire les normes. Cet émetteur ne doit pas être co-implanté ou fonctionner en conjonction avec toute autre antenne ou transmetteur. Le dispositif portable est conçu

pour répondre aux exigences d'exposition aux ondes radio établie par le développement énergétique DURABLE. Ces exigences un SAR limite de 1,6 W/kg en moyenne pour un gramme de tissu. La valeur SAR la plus élevée signalée en vertu de cette norme lors de la certification de produit à utiliser lorsqu'il est correctement porté sur le corps/ la tête.

AVERTISSEMENT CONCERNANT LES BATTERIES

N'essayez pas de remplacer vous-même la batterie rechargeable, vous pourriez l'endommager et ainsi entraîner une surchauffe, un incendie et des blessures. La batterie lithium-ion de votre appareil doit être révisée ou recyclée par PowerA ou un fournisseur agréé. Elle doit être recyclée ou mise au rebut séparément du reste des ordures ménagères. Débarrassez-vous des batteries conformément aux lois et directives locales relatives à l'environnement.

N'utilisez pas et ne laissez pas le produit contenant des batteries rechargeables exposé à de très fortes températures (par exemple, à la lumière directe du soleil ou dans un véhicule lors de conditions météorologiques très chaudes). Si tel est le cas, le produit peut surchauffer, prendre feu, ou ses performances peuvent diminuer, réduisant ainsi sa durée de vie.

N'utilisez pas l'appareil contenant une batterie rechargeable dans un environnement chargé en électricité statique, cela pourrait endommager la sécurité interne de l'appareil et exposer à des dangers.

Si l'électrolyte entre en contact avec vos yeux en raison d'une fuite de la batterie, ne les frottez pas ! Rincez-les avec de l'eau et consultez immédiatement un médecin. Cela pourrait abîmer vos yeux ou entraîner une perte de vision.

Si la batterie émet une odeur, génère de la chaleur, ou semble d'une manière ou d'une autre anormale en cours d'utilisation, de recharge ou de stockage, retirez-la immédiatement du chargeur et placez-la dans un contenant scellé, tel qu'une boîte en métal.

N'oubliez pas que des batteries usagées peuvent entraîner un incendie, ne chauffez pas la manette et ne la jetez pas dans un feu.

DÉCLARATION DE CONFORMITÉ DE L'UE

Par la présente, ACCO Brands LLC at 4 Corporate Way, Lake Zurich, Illinois 60047 USA commercialise cet appareil sous la marque LucidSound et déclare que le casque d'écoute sans fil est conforme à la Directive 2014/53/EU. Le texte intégral de la déclaration de conformité EU est disponible à l'adresse Internet suivante :

LucidSound.com/EUDOC



DEEE (directive sur les déchets d'équipements électriques et électroniques)
Cet équipement respecte les limites d'exposition aux rayonnements IC RSS-102 définies pour un environnement non contrôlé. Cet équipement doit être installé et mis en marche à une distance minimale de 0.5 cm qui sépare l'élément rayonnant de votre corps.

RoHS

Ce produit a été certifié conforme RoHS conformément à la directive 2011/65 / CE.

États-Unis et dans le monde entier: Garantie limitée d'un an

Europe: Garantie limitée de deux ans

Pour plus de détails sur la garantie ou l'assistance avec vos produits LucidSound, veuillez visiter LucidSound.com/warranty

Garantie : Australie

Nous produits bénéficiez de garanties qui ne peuvent pas faire l'objet d'une exclusion en vertu de la loi australienne sur la consommation. Vous pouvez prétendre à une garantie de remplacement de 1 an, durée pendant laquelle vous pouvez demander la réparation ou le remplacement des produits si les produits ne sont pas d'une qualité acceptable et que le problème ne peut être considéré comme une défaillance majeure.

Ce que vous devez faire :

Si un défaut est apparu dans les 90 jours suivant la date d'achat, le produit peut être retourné au détaillant pour un remplacement.

Si un défaut est apparu après 90 jours à compter de la date d'achat, vous devez lancer une réparation en suivant le processus de réparation en ligne sur www.lucidsound.com.au.

Une fois toutes les informations fournies, vous recevrez un numéro d'autorisation de retour. Ensuite, étiquetez et expédiez votre casque LucidSound - y compris le numéro d'autorisation de retour (RA), port prépayé, au centre de réparation agréé de LucidSound.

LucidSound c/o Tecworks International Pty Ltd Unit 1/ 12 Tollis Place Seven Hills NSW 2141

Veillez vous assurer que le numéro d'autorisation de retour (RA) est bien en évidence à l'extérieur de votre emballage. Les frais engagés pour renvoyer le produit au revendeur ou au centre de réparation agréé dans le cadre d'une réclamation au titre de la garantie sont à votre charge.

Ce que nous allons faire :

Pendant la période de garantie, nous réparerons ou remplacerons, à notre choix, le produit ou toute pièce défectueuse. Nous prendrons également en charge les frais raisonnables d'expédition de retour standard. Si cela ne peut être fait, nous vous rembourserons le prix d'achat.

Bluemouth Interactive Pty Ltd, Level 2, 2 Darling Street, South Yarra, Victoria, 3141

E-mail : support@bluemouth.com.au

© 2022 ACCO Brands, LLC. PowerA et le logo PowerA sont des marques de commerce ACCO Brands, LLC. TM and © ACCO Brands, LLC.

Microsoft, Xbox, Xbox "Sphere" Design, Xbox Series X|S, Xbox One, Windows, et Windows Sonic sont des marques déposées du groupe d'entreprises Microsoft.

Les caractéristiques, l'apparence et les spécifications du produit peuvent faire l'objet de modifications sans préavis. La couleur et la finition peuvent varier. Tous droits réservés. Veuillez conserver cette information pour référence ultérieure. Fabriqué en Chine.

COMPLIANCE IDENTIFICATION TRANSMITTER

Modell: XBHS0007 TX
FCC ID: YFK-LS100XAB
IC: 9246A-LS100XAB

HEADSET

Modell No.: XBHS0007-01
FCC ID: YFK-LS100AA
IC: 9246A-LS100AA

HF-FREQUENZ: 2.402 GHz to 2.480 GHz
AUSGANGSLEISTUNG: TX=7dBm; RX=9dBm
EINGANGSLEISTUNG: 3.7V, 850mAh

MANUFACTURER: ACCO Brands USA, LLC
4 Corporate Way, Lake Zurich, Illinois
60047 United States
ACCOBrands.com | LucidSound.com
IN CHINA HERGESTELLT

WARNHINWEIS – BATTERIE

Versuchen Sie nicht, den Akku selbst auszutauschen – Der Akku könnte beschädigt werden und dies zu Überhitzung, Feuer und Verletzungen führen. Die Lithium-Ionen-Batterie in Ihrem Gerät sollte von PowerA oder einem autorisierten Anbieter gewartet oder recycelt werden und muss getrennt vom Haushaltsmüll recycelt oder entsorgt werden. Entsorgen Sie die Batterien den örtlichen Umweltgesetzen und Bestimmungen entsprechend.

Setzen Sie das Produkt – bei Verwendung oder Aufbewahrung – nicht sehr hohen Temperaturen

aus, wenn es Akku enthält (z. B. bei starker direkter Sonneneinstrahlung oder in einem Fahrzeug bei sehr heißen Bedingungen). Andernfalls kann es überhitzen oder Feuer fangen, oder die Leistung lässt nach, und die Lebensdauer verkürzt sich.

Verwenden Sie den Akku nicht an Orten mit starker statischer Elektrizität, da sonst die internen Sicherheitsvorrichtungen beschädigt werden können. Dies kann zu gefährlichen Situationen führen.

Falls das Elektrolyt durch Auslaufen der Batterie in die Augen gelangt, nicht in die Augen reiben! Spülen Sie die Augen mit fließendem, sauberem Wasser aus, und suchen Sie sofort einen Arzt auf. Andernfalls drohen Verletzungen des Auges oder Erblindung.

Wenn die Batterie während des Gebrauchs, des Wiederaufladens oder der Lagerung einen Gerüche abgibt, Hitze erzeugt oder in irgendeiner Weise anormal erscheint, nehmen Sie sie sofort aus dem Batterieladegerät heraus und legen Sie sie in ein versiegeltes Gefäß, z. B. eine Metallbox.

Beachten Sie, dass Altbatterien Feuer verursachen können. Erhitzen Sie den Controller nicht, und werfen Sie ihn nicht ins Feuer.



KONFORMITÄTSEKLRUNG

Hiermit vermarktet ACCO Brands, LLC in 4

Corporate Way, Lake Zurich, Illinois 60047
USA dieses Gerät unter dem Markennamen
LucidSound und erklärt, dass das
drahtlose Headset der Richtlinie 2014/53/
EUentspricht. Der vollständige Text der EU-
Konformitätserklärung ist unter der folgenden
Internetadresse verfügbar:
LucidSound.com/EUDOC



WEEE (Richtlinie über Elektro- und
Elektronik-Altgeräte): Wenn Sie dieses
Produkt zu einem späteren Zeitpunkt
entsorgen möchten, beachten Sie
bitte folgende Hinweise: Elektronische
Geräte dürfen nicht mit dem Hausmüll
entsorgt werden. Bitte recyceln Sie das
Gerät, wenn Ihnen die entsprechenden
Recyclingmöglichkeiten zur Verfügung
stehen. Bitte wenden Sie sich an Ihre
örtliche Behörde oder Ihren Händler und
fragen Sie nach einem Recycling-Rat.

RoHS

Dieses Produkt wurde gemäß der Richtlinie
2011/65 / CE als RoHS-konform zertifiziert.

USA und weltweit: Ein Jahr eingeschränkte
Garantie

Europa: Zwei Jahre beschränkte Garantie
Weitere Informationen zur Garantie oder zum
Support für Ihre LucidSound-Produkte finden Sie
unter LucidSound.com/warranty

Garantie: Australien

Nach australischem Verbraucherrecht ist der
Ausschluss von Gewährleistungen für unsere
Waren nicht zulässig. Sie sind zu einer 1-jährigen
Austauschgarantie berechtigt, die Reparaturen
oder Ersetzungen vorsieht, wenn die Produkte
keine akzeptable Qualität aufweisen und der
Defekt keinen größeren Ausfall verursacht.

Was Sie tun müssen:

Wenn innerhalb von 90 Tagen nach dem
Kaufdatum ein Defekt aufgetreten ist, kann das
Produkt an den Einzelhändler zum Austausch
zurückgeschickt werden.

Wenn nach 90 Tagen ab Kaufdatum ein Defekt
aufgetreten ist, müssen Sie eine Reparatur
veranlassen, indem Sie dem Online-
Reparaturverfahren unter www.lucidsound.com.au folgen.

Sobald alle Angaben ausgefüllt sind, erhalten
Sie eine Rücksendenummer. Beschriften Sie
Ihr LucidSound Headset – einschließlich der
Nummer der Rücksendegenehmigung (RA-
Nummer) – und senden Sie es frachtfrei an das
autorisierte LucidSound Reparaturzentrum.

LucidSound c/o Tecworks International Pty Ltd Unit 1 / 12 Tollis Place Seven Hills NSW 2141

Bitte stellen Sie sicher, dass die
Rücksendegenehmigung (RA-Nummer) deutlich
sichtbar auf der Außenseite Ihrer Verpackung
angebracht ist. Die Kosten für die Rücksendung
des Produkts an den Einzelhändler oder an das
autorisierte Reparaturzentrum im Rahmen eines

Garantieanspruchs gehen zu Ihren Lasten.

Was wir tun werden:

Während der Garantiezeit werden wir nach
unserem Ermessen das Produkt oder defekte
Teile reparieren oder ersetzen. Wir übernehmen
auch die angemessenen Kosten für den
Standard-Rückversand. Wenn dies nicht möglich
ist, erstatten wir Ihnen den Kaufpreis zurück.
Bluemouth Interactive Pty Ltd, Level 2, 2 Darling
Street, South Yarra, Victoria, 3141. E-mail:
support@bluemouth.com.au

© 2022 ACCO Brands, LLC. LucidSound, das
LucidSound-Logo, PowerA und das PowerA-
Logo sind Marken von ACCO Brands, LLC.

Microsoft, Xbox, Xbox Sphere Design, Xbox
Series X|S, Xbox One und Windows sind Marken
der Microsoft-Unternehmensgruppe.

Die Form und das Design dieses Produkts
sind ein Handelskleid von Lucid Sound,
seinen Tochtergesellschaften und
Tochtergesellschaften. Alle Rechte vorbehalten.
Alle anderen Produktnamen und Bilder sind
Marken oder eingetragene Marken ihrer
jeweiligen Eigentümer. Produktmerkmale,
Aussehen und technische Daten können ohne
vorherige Ankündigung geändert werden. Bitte
bewahren Sie diese Informationen zum späteren
Nachschlagen auf. In China hergestellt.

COMPLIANCE IDENTIFICATION TRANSMITTER

Modello: XBHS0007 TX
FCC ID: YFK-LS100XAB
IC: 9246A-LS100XAB

HEADSET

Modello No.: XBHS0007-01
FCC ID: YFK-LS100AA
IC: 9246A-LS100AA

FREQUENZA RF: 2.402 GHz to 2.480 GHz
POTENZA DI USCITA: TX=7dBm; RX=9dBm
POTENZA DI INGRESSO: 3.7V, 850mAh

FABRICANTE: ACCO Brands USA, LLC
4 Corporate Way, Lake Zurich, Illinois
60047 United States
ACCOBrands.com | LucidSound.com

FATTO IN CINA

AVVERTENZA SULLE BATTERIE

Non cercare di sostituire la batteria ricaricabile; potresti danneggiare la batteria, il che potrebbe causare surriscaldamento, incendi e lesioni. La batteria agli ioni di Litio del dispositivo deve essere fornita o riciclata da PowerA o da un provider autorizzato e deve essere riciclata o smaltita separatamente dai rifiuti domestici. Smaltire le batterie in base alle leggi e alle direttive ambientali locali.

Non utilizzare o lasciare il prodotto contenente le batterie ricaricabili esposto a temperature

molto elevate (ad es. forte luce solare diretta o in un veicolo a temperatura estremamente alta). Altrimenti può surriscaldarsi, prendere fuoco o le prestazioni possono deteriorarsi, con conseguente riduzione della durata di servizio.

Non utilizzare la batteria ricaricabile in un luogo ricco di elettricità statica, altrimenti i dispositivi di sicurezza interna potrebbero essere danneggiati, causando una situazione di pericolo.

Nel caso in cui l'elettrolita entri a contatto con gli occhi per una perdita della batteria, non strofinare gli occhi! Sciacquare gli occhi con acqua pulita e cercare subito assistenza medica. In caso contrario, potrebbero verificarsi lesioni agli occhi o una perdita della vista.

Se la batteria emette odore, genera calore o sembra in qualsiasi modo anormale durante l'uso, la ricarica o il posizionamento, rimuoverla immediatamente dal caricabatterie e collocarla in un contenitore sigillato, ad esempio una scatola di metallo.

Tenere presente che le batterie dismesse possono causare incendi, pertanto non surriscaldare il controller e non lanciarlo nel fuoco.

DECLARACIÓN DE CONFORMIDAD DE LA UE

Con la presente, ACCO Brands, LLC con sede in 4 Corporate Way, Lake Zurich, Illinois

60047 USA commercializza questo dispositivo con il marchio LucidSound e dichiara che le cuffie senza fili sono conformi alla Direttiva 2014/53 / UE. Il testo completo della Dichiarazione di conformità UE è disponibile al seguente indirizzo Internet: LucidSound.com/EUDOC



DIRETTIVA RAEE (Rifiuti Di Apparecchiature Elettriche Ed Elettroniche): Se si desidera eliminare questo prodotto in un secondo momento, si prega di osservare le seguenti istruzioni: Le apparecchiature elettroniche non devono essere smaltite insieme ai rifiuti domestici. Si prega di riciclare il dispositivo se sono disponibili le modalità di riciclaggio appropriate. Si prega di contattare l'autorità locale o il rivenditore e chiedere loro consigli sul riciclaggio.

RoHS

Questo prodotto è stato certificato come conforme alla Direttiva RoHS in conformità alla Direttiva 2011/65 / CE.

USA e nel mondo: Garanzia limitata di un anno

Europa: Due anni di garanzia limitata
Per i dettagli sulla garanzia o il supporto con i prodotti LucidSound, visitare LucidSound.com/warranty

Garanzia: Australia

I nostri prodotti sono coperti da garanzie che non possono essere fatte oggetto di esclusione ai sensi della legge australiana sulla tutela dei consumatori. L'acquirente ha diritto a una garanzia di sostituzione di 1 anno che prevede la riparazione o la sostituzione del prodotto se lo stesso non funziona con un livello di qualità accettabile, ove si tratti di un guasto non rilevante.

Operazioni da fare:

Se il difetto si è verificato entro 90 giorni dalla data di acquisto, il prodotto può essere restituito al rivenditore per la sostituzione.

Se il difetto si è verificato dopo 90 giorni dalla data di acquisto, è necessario avviare una riparazione seguendo il processo di riparazione online su www.lucidsound.com.au.

Una volta completati tutti i dettagli, si riceverà un numero di autorizzazione al reso. Quindi, etichettare e spedire le cuffie LucidSound, incluso il numero di autorizzazione al reso (RA), con spedizione prepagata, al centro di riparazione autorizzato da LucidSound.

LucidSound c/o Tecworks International Pty Ltd Unit 1 / 12 Tollis Place Seven Hills NSW 2141

Verificare che il numero di autorizzazione al reso (RA) sia ben visibile all'esterno della confezione. I costi sostenuti per restituire il

prodotto al rivenditore o al centro di riparazione autorizzato nell'ambito di una richiesta di garanzia sono a carico dell'utente.

Cosa faremo:

Durante il periodo di garanzia, a nostra discrezione, ripareremo o sostituiremo il prodotto o qualsiasi parte difettosa. Sosterremo anche i costi ragionevoli della spedizione di reso standard. Se ciò non può essere fatto, rimborseremo all'utente il prezzo di acquisto.

Bluemouth Interactive Pty Ltd, Level 2, 2 Darling Street, South Yarra, Victoria, 3141. E-mail: support@bluemouth.com.au

© 2022 ACCO Brands, LLC. LucidSound, il logo LucidSound, PowerA e il logo PowerA sono marchi di ACCO Brands, LLC.

Microsoft, Xbox, Xbox "Sphere" Design, Xbox Series X|S, Xbox One e Windows sono marchi del gruppo di società Microsoft.

La forma e il design di questo prodotto sono una veste grafica di Lucid Sound, delle sue sussidiarie e affiliate. Tutti i diritti riservati. Tutti gli altri nomi di prodotti e immagini sono marchi o marchi registrati dei rispettivi proprietari. Le caratteristiche, l'aspetto e le specifiche del prodotto possono essere soggetti a modifiche senza preavviso. Si prega di conservare queste informazioni per riferimento futuro.

COMPLIANCE IDENTIFICATION TRANSMITTER

Modelo: XBHS0007 TX
FCC ID: YFK-LS100XAB
IC: 9246A-LS100XAB

HEADSET

Modelo No.: XBHS0007-10
FCC ID: YFK-LS100AA
IC: 9246A-LS100AA

FRECUENCIA RF: 2.402 GHz to 2.480 GHz
POTENCIA DE SALIDA: TX=7dBm; RX=9dBm
POTENCIA DE ENTRADA: 3.7V, 850mAh

FABRICANTE: ACCO Brands USA, LLC
4 Corporate Way, Lake Zurich, Illinois
60047 United States
ACCOBrands.com | LucidSound.com

HECHO EN CHINA

ADVERTENCIA SOBRE LAS PILAS

No intentes reemplazar la batería recargable por tu cuenta, ya que podría dañarse y provocar problemas de sobrecalentamiento, incendios y lesiones. PowerA, o un proveedor autorizado, deben ser los encargados de la reparación o el reciclaje de la batería de iones de litio de tu dispositivo, que, además, debe reciclarse o desecharse independientemente de la basura doméstica. Desecha las baterías de acuerdo con las leyes y directrices ambientales locales.

No utilices ni dejes el producto que contenga baterías recargables expuesto a temperaturas muy altas (por ejemplo, a la luz solar directa o en

un vehículo con una temperatura extremadamente alta). De lo contrario, pueden producirse situaciones de sobrecalentamiento, incendios, disminución del rendimiento y reducción de la vida útil.

No utilices el producto con batería recargable en un lugar donde exista una gran cantidad de electricidad estática. De lo contrario, los dispositivos de seguridad internos pueden dañarse y provocar una situación que resulte perjudicial.

En el caso de que el electrolito entre en contacto con los ojos debido a una fuga de la batería, no te los frotes. Enjuágalos con agua corriente limpia y solicita atención médica de inmediato. El no seguimiento de estas instrucciones puede generar lesiones oculares o provocar la pérdida de visión.

Si la batería emite olor, genera calor o se detecta algún tipo de irregularidad durante su uso o en los procesos de recarga o almacenamiento, retírala inmediatamente del cargador de la batería y colócala en un recipiente hermético, como una caja de metal.

Ten en cuenta que las baterías desechadas pueden generar incendios. Por lo tanto, no calientes el controlador ni lo arrojes al fuego.



DECLARACIÓN DE CONFORMIDAD DE LA UE

Por la presente, ACCO Brands, LLC en 4 Corporate Way, Lake Zurich, Illinois 60047 EE.UU. comercializa este dispositivo con la marca LucidSound y declara que los auriculares inalámbricos cumplen con la Directiva 2014/53/UE. El texto completo de la Declaración de conformidad de la UE está disponible en la siguiente dirección de Internet: LucidSound.com/EUDOC



RAEE (Directiva sobre residuos de aparatos eléctricos y electrónicos) Si finalmente desea desechar este producto más adelante, tenga en cuenta las siguientes instrucciones: El equipo electrónico no se debe tirar junto con la basura doméstica. Recicle el dispositivo si dispone de las formas de reciclaje adecuadas. Comuníquese con su autoridad local o minorista y solicite asesoramiento sobre reciclaje.

RoHS

Este producto ha sido certificado como RoHS conforme a la Directiva 2011/65 / CE.

Estados Unidos y en todo el mundo: Garantía limitada de un año

Europa: Garantía limitada de dos años

Para obtener detalles de la garantía o asistencia con sus productos LucidSound, visite LucidSound.com/warranty

Garantía: Australia

Nuestros productos incluyen garantías que, en

virtud de la Ley del Consumidor de Australia, no se pueden excluir. También tienes derecho a una garantía de reemplazo de 1 año en la que tienes derecho a la reparación o sustitución del producto si este no fuera de una calidad aceptable y si el fallo no es consecuencia de un fallo mayor.

Lo que debes hacer:

Si ha aparecido un defecto en el plazo de 90 días desde la fecha de compra, puedes devolver el producto al minorista para su reemplazo.

Si ha aparecido un defecto después de 90 días desde la fecha de compra, debes iniciar una reparación siguiendo el proceso de reparación en línea en www.lucidsound.com.au.

Una vez que hayas completado todos los detalles, recibirás un número de autorización de la devolución. Luego, etiqueta y envíe sus auriculares LucidSound, incluido el número de autorización de la devolución (RA) y los portes pagados, al centro de reparación autorizado de LucidSound.

LucidSound c/o Tecworks International Pty Ltd Unit 1 / 12 Tollis Place Seven Hills NSW 2141

Asegúrate de que el número de autorización de la devolución (RA) se muestre de forma destacada en el exterior de su embalaje. El costo incurrido para devolver el producto al minorista o al centro de reparación autorizado

como parte de un reclamo de garantía es su responsabilidad.

Lo que haremos:

Durante el Período de garantía, repararemos o reemplazaremos, a nuestra discreción, el producto o cualquier pieza defectuosa. También asumiremos los costos razonables del envío de devolución estándar. Si esto no se puede hacer, le reembolsaremos el precio de compra.

Bluemouth Interactive Pty Ltd, Level 2, 2 Darling St., South Yarra, Victoria, 3141. Correo electrónico: support@bluemouth.com.au

© 2022 ACCO Brands, LLC. LucidSound, el logotipo de LucidSound, PowerA y el logotipo de PowerA son marcas comerciales de ACCO Brands, LLC.

Microsoft, Xbox, Xbox "Sphere" Design, Xbox Series X|S, Xbox One y Windows son marcas comerciales del grupo de empresas Microsoft.

La forma y el diseño de este producto son una imagen comercial de Lucid Sound, Inc., sus subsidiarias y afiliadas. Todos los derechos reservados. Todos los demás nombres de productos e imágenes son marcas comerciales o marcas comerciales registradas de sus respectivos propietarios. Las características, apariencia y especificaciones del producto pueden estar sujetas a cambios sin previo aviso. Por favor, guarde esta información para referencia futura.

COMPLIANCE IDENTIFICATION TRANSMITTER

Modelo: XBHS0007 TX
 FCC ID: YFK-LS100XAB
 IC: 9246A-LS100XAB

HEADSET

Modelo No.: XBHS0007-01
 FCC ID: YFK-LS100AA
 IC: 9246A-LS100AA

FREQÜÊNCIA RF: 2.402 GHz to 2.480 GHz
 POTÊNCIA DE SAÍDA: TX=7dBm; RX=9dBm
 POTÊNCIA DE ENTRADA: 3.7V, 850mAh

FABRICANTE: ACCO Brands USA, LLC
 4 Corporate Way, Lake Zurich, Illinois
 60047 United States
 ACCOBrands.com | LucidSound.com
 FATTO IN CINA

AVISO RELATIVO ÀS BATERIAS

Não tentes substituir a bateria recarregável – poderás danificá-la, o que poderá provocar um sobreaquecimento, um incêndio e ferimentos. A bateria de íões de lítio do teu dispositivo deve ser substituída ou reciclada pela PowerA ou por um fornecedor autorizado e tem de ser reciclada ou eliminada de forma separada do lixo doméstico. Elimina as baterias de acordo com as leis e as orientações locais relativas ao ambiente.

Não utilizes nem deixes o produto com baterias

recarregáveis expostas a uma temperatura muito elevada (por exemplo, expostas a luz solar direta ou num veículo em tempo extremamente quente). De outro modo, o produto pode sobreaquecer, incendiar-se ou o seu desempenho irá deteriorar-se e o ciclo de vida útil será reduzido.

Não utilizes o dispositivo com uma bateria recarregável num local rico em eletricidade estática, de outro modo, os componentes de segurança internos podem ser danificados, provocando uma situação prejudicial.

Caso o eletrólito entre em contacto com os olhos devido a fuga da bateria, não esfregues os olhos! Lava os olhos com água limpa corrente e procura assistência médica de imediato. De outro modo, poderás causar lesões nos olhos ou perda da visão.

Se a bateria libertar um odor, gerar calor ou parecer de algum modo anormal durante a utilização, o recarregamento ou o armazenamento, retira-a imediatamente do carregador de bateria e coloca-a num recipiente selado, tal como uma caixa de metal.

Tem em atenção que as baterias eliminadas podem causar um incêndio, não aqueças o comando nem o atires para o fogo.



DECLARACIÓN DE CONFORMIDAD DE LA UE
 A ACCO Brands, LLC, sita em

4 Corporate Way, Lake Zurich, Illinois 60047
 EUA está a promover este dispositivo sob a marca LucidSound e declara que os auscultadores sem fios se encontram em conformidade com a Diretiva 2014/53/UE. O texto integral da Declaração de Conformidade da UE encontra-se disponível no seguinte endereço: LucidSound.com/EUDOC



RAEE (Directiva sobre resíduos de aparatos eléctricos y electrónicos) Si finalmente desea desechar este producto más adelante, tenga en cuenta las siguientes instrucciones: El equipo electrónico no se debe tirar junto con la basura doméstica. Recicle el dispositivo si dispone de las formas de reciclaje adecuadas. Comuníquese con su autoridad local o minorista y solicite asesoramiento sobre reciclaje.

RoHS

Este producto ha sido certificado como RoHS conforme a la Directiva 2011/65 / CE.

Estados Unidos y en todo el mundo: Garantía limitada de un año

Europa: Garantía limitada de dos años

Para obtener detalles de la garantía o asistencia con sus productos LucidSound, visite LucidSound.com/warranty

Garantia: Austrália

Os nossos artigos são fornecidos com

garantias que não podem ser excluídas ao abrigo da Lei do Consumidor australiana. Tens direito à substituição durante um ano, durante o qual tens direito à reparação ou substituição do artigo se este não apresentar qualidade aceitável e a falha não for considerada como avaria grave.

O que debes fazer:

Se surgir um defeito no prazo de 90 dias a partir da data de compra, o produto pode ser devolvido ao retalhista para ser substituído.

Se surgir um defeito após 90 dias a partir da data de compra, debes iniciar uma reparação seguindo o processo de reparação online em www.lucidsound.com.au.

Assim que todos os detalhes estiverem concluídos, receberás um número de autorização de devolução. Depois, etiqueta e envia os teus auscultadores LucidSound (incluindo o número de autorização de devolução (RA - Return Authorisation) e frete pré-pago) para o centro de reparação autorizado da LucidSound.

LucidSound c/o Tecworks International Pty Ltd Unit 1 / 12 Tollis Place Seven Hills NSW 2141

Certifica-te de que o número de autorização de devolução (RA) fica exibido de forma clara no exterior da tua embalagem. Os custos incorridos para devolveres o produto ao retalhista ou ao centro de reparação autorizado

como parte de um pedido de garantia são da tua responsabilidade.

O que vamos fazer:

Durante o Período de Garantia, repararemos ou substituiremos, ao nosso critério, o produto ou quaisquer peças com defeito. Também suportaremos os custos razoáveis do transporte padrão de retorno. Se tal não puder ser feito, iremos reembolsar-te o preço de compra.

Bluemouth Interactive Pty Ltd, Level 2, 2 Darling Street, South Yarra, Victoria, 3141
 E-mail : support@bluemouth.com.au

© 2022 ACCO Brands, LLC. LucidSound, el logotipo de LucidSound, PowerA y el logotipo de PowerA son marcas comerciales de ACCO Brands, LLC.

Microsoft, Xbox, Xbox "Sphere" Design, Xbox Series X|S, Xbox One y Windows son marcas comerciales del grupo de empresas Microsoft. Todos os direitos reservados. Todos os outros nomes e imagens de produtos são marcas comerciais ou marcas comerciais registradas de seus respectivos proprietários. As características, aparência e especificações do produto podem estar sujeitas a alterações sem aviso prévio. Por favor, guarde essa informação para referência futura.

