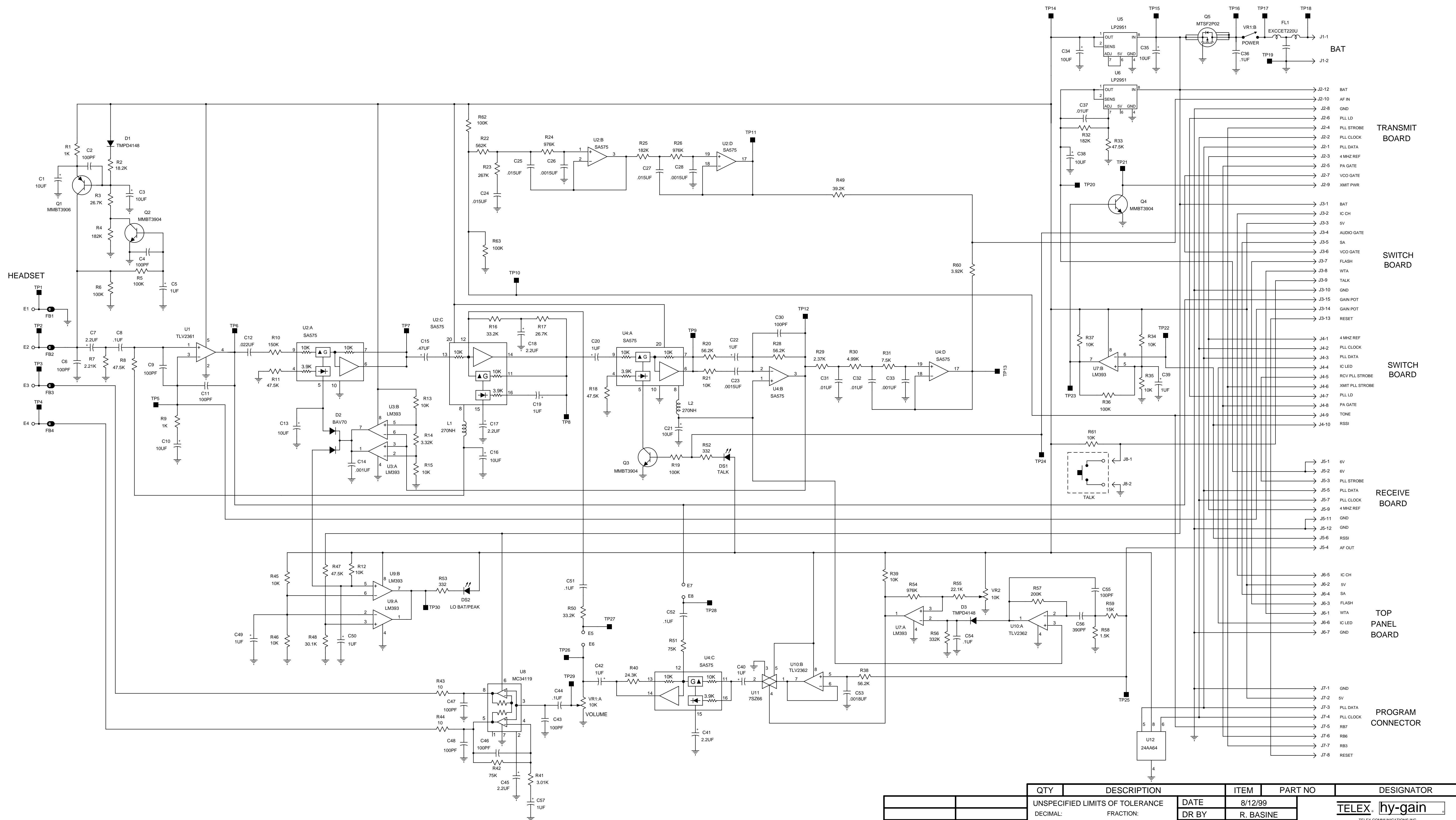


This drawing, written description or specification represents a proprietary product of TELEX, Lincoln, NE., and shall not be released, disclosed, nor duplicated without the written permission of TELEX.

4	3	2	1	SHT	REV

SHEET REV		REVISIONS		DATE	APPD
CHG NO	LTR	DESCRIPTION			
	PB	REVISED CHANGES FROM 11/09/00 AND ON		11/13/00	TJY
	PC	VALUE CHANGES, DELETED PARTS AND ADDED TEST POINT 25		12/12/00	TJY



1. REFERENCE TO BOARD 750497.

NOTES:

QTY	DESCRIPTION	ITEM	PART NO	DESIGNATOR
	UNSPECIFIED LIMITS OF TOLERANCE	DATE	8/12/99	
	DECIMAL: FRACTION:	DR BY	R. BASINE	
	.X = .050 IN	CHK BY		
	.XX = .030 IN	APPD.		
	.XXX = .010 IN	PROD		
	ANGLES: BENDS: 2	MATERIAL:		
	STRAIGHTNESS AND/OR			
	FLATNESS .005 IN/1 IN.			
	CONCENTRICITY .010 TIR			
	UNMARKED ANGLES, BENDS			
	AND INTERSECTIONS 90			
	THREADS- EXT. CLASS 2A			
	INT. CLASS 2B			
NEXT ASSY.	USED ON			
APPLICATIONS				



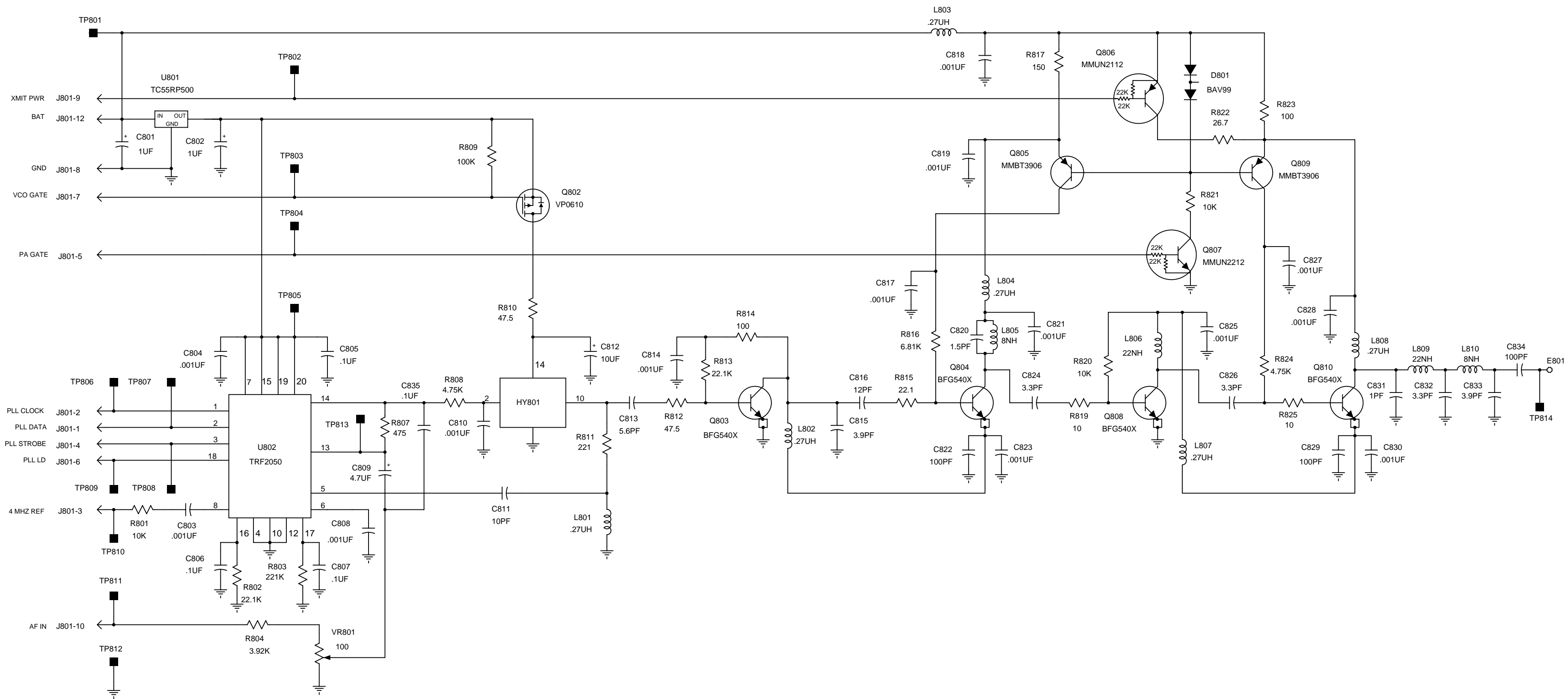
TELEX COMMUNICATIONS INC.
Lincoln, Nebraska U.S.A.

TITLE
TR-800 AUDIO BOARD

SIZE	CODE IDENT	DWG.NO.
D	57010	770643
SCALE	SHEET	1 OF 1

This drawing, written description or specification represents a proprietary product of TELEX, Lincoln, NE., and shall not be released, disclosed, nor duplicated without the written permission of TELEX

REVISIONS				
CHG.NO.	LTR	DESCRIPTION	DATE	APPD
	PB	PRE-RELEASE	10/20/00	DN
	PC	PRE-RELEASE	11/28/00	TJY



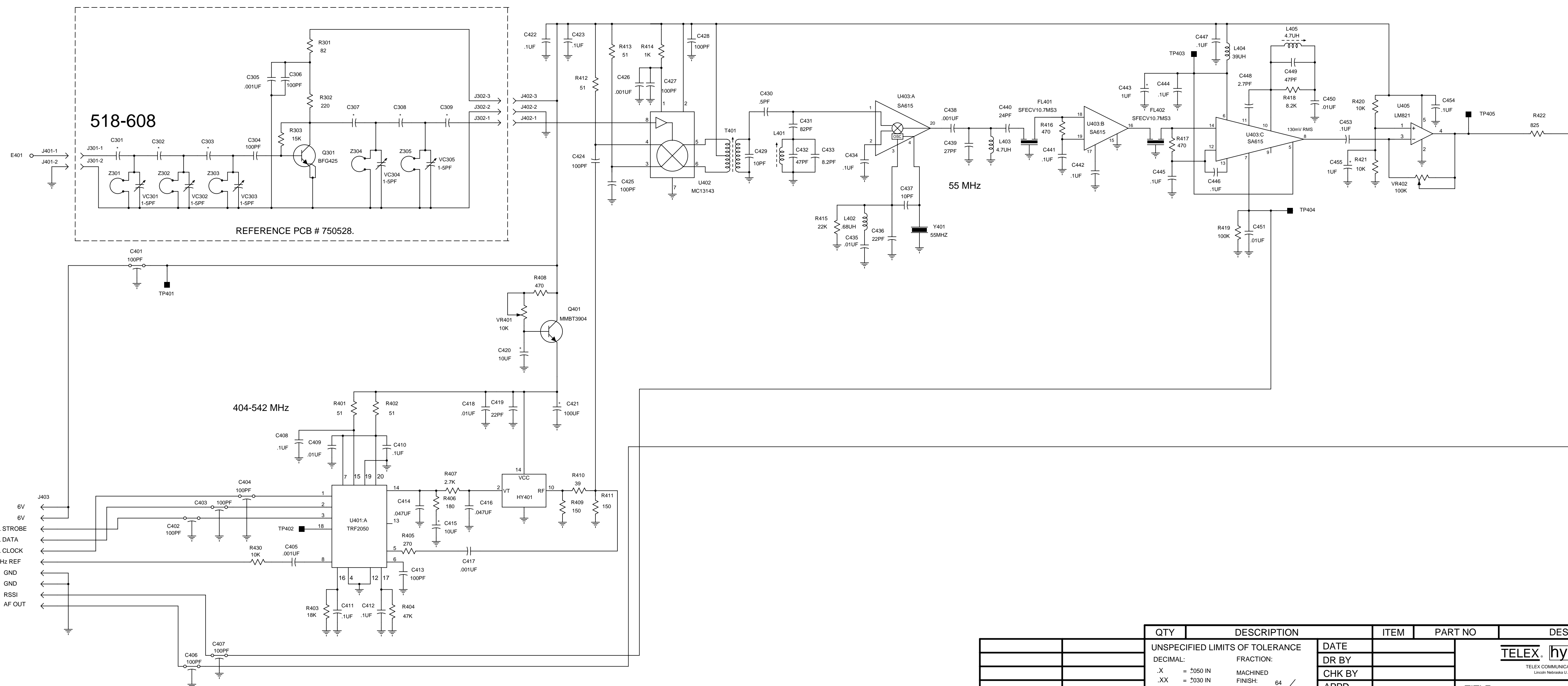
		DESCRIPTION	ITEM	PART NO.	SPECIFICATION
		UNSPECIFIED LIMITS OF TOLERANCE	DATE	7/12/00	
		DECIMAL:	DR BY	R. BASINE	
		.X = ±.050 IN	CHK BY		TITLE TR700 TRANSMIT BOARD
		.XX = ±.030 IN	APPD.		
		.XXX = ±.010 IN	PROD.		
		ANGLES 1°, BENDS 2 ± °	MATERIAL:		
		STRAIGHTNESS AND/OR FLATNESS .005 IN./1 IN.			
		CONCENTRICITY .010 TIR			
		UNMARKED ANGLES, BENDS AND INTERSECTIONS 90°			
		THREADS- EXT. CLASS 2A INT. CLASS 2B			
NEXT ASSY.	USED ON				
APPLICATIONS					
SIZE	CODE IDENT	DWG. NO.			
C	57010	770644			
SCALE:		SHEET:			

This drawing, written description or specification represents a proprietary product of TELEX, Lincoln, NE., and shall not be released, disclosed, nor duplicated without the written permission of TELEX.

SHEET					REV					REVISIONS		
4	3	2	1	SHT	REV	CHG NO	LTR	DESCRIPTION	DATE	APPD		
							PB	PRELIMINARY.	10/5/00			

* FREQUENCY DEPENDENT COMPONENTS TABLE

	DESIGNATOR							
	Z301 Z302 Z303	Z304 Z305	C301 C304	C302 C303	C307 C309	C308	HY401	
LOW BAND	518-536	583	587	2.7PF	1.0PF	2.7PF	.8PF	Z-COMM V-0600
	536-554	603	607	2.7PF	.9PF	2.7PF	.8PF	Z-COMM V-0600
HI BAND	554-572	623	627	2.2PF	.9PF	2.2PF	.8PF	Z-COMM V-0600
	572-590	643	647	2.2PF	.8PF	2.2PF	.7PF	Z-COMM V-0600
	590-608	663	667	2.2PF	.8PF	2.2PF	.7PF	Z-COMM V-0600
	614-632	690	694	2.2PF	.7PF	2.2PF	.6PF	???
	632-650	710	714	1.8PF	.7PF	2.2PF	.6PF	???
	650-668	731	734	1.8PF	.7PF	1.8PF	.6PF	???
	668-686	751	755	1.8PF	.6PF	1.8PF	.5PF	???
	686-704	772	775	1.8PF	.6PF	1.8PF	.5PF	???



1. REFERENCE PCB # 750498.

NOTES:

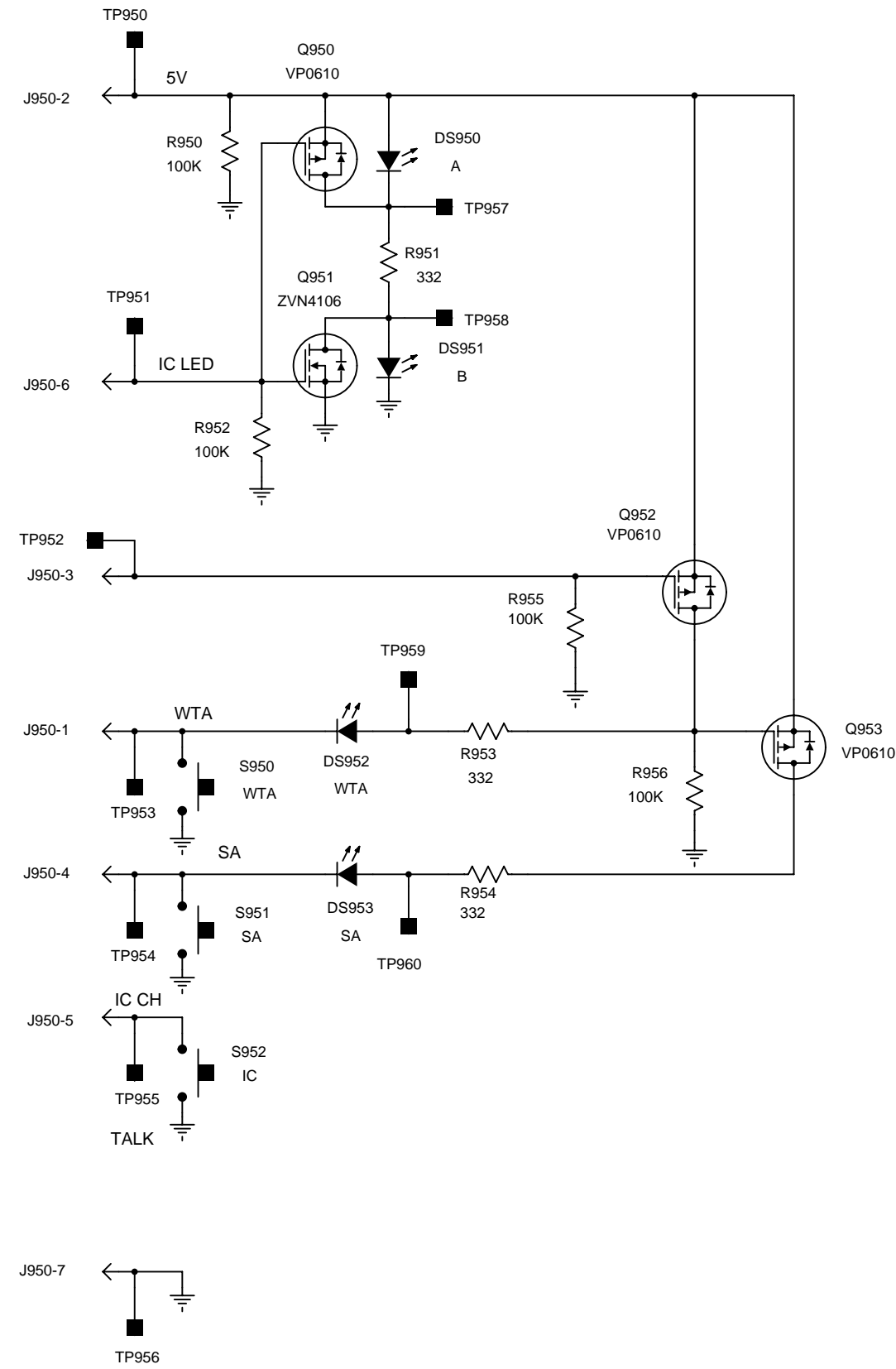
QTY	DESCRIPTION	ITEM	PART NO	DESIGNATOR
	UNSPECIFIED LIMITS OF TOLERANCE			
	DECIMAL:			
	.X = .050 IN			
	.XX = .030 IN			
	.XXX = .010 IN			
	ANGLES: 1 : BENDS 2 +			
	STRAIGHTNESS AND/OR			
	FLATNESS .005 IN/1 IN.			
	CONCENTRICITY .010 TIR			
	UNMARKED ANGLES, BENDS			
	AND INTERSECTIONS 90			
	THREADS- EXT. CLASS 2A			
	INT. CLASS 2B			
NEXT ASSY.	USED ON			
APPLICATIONS				

DATE	DR BY	CHK BY	APPD.	PROD

TELEX hy-gain	
<small>TELEX COMMUNICATIONS INC. Lincoln, Nebraska U.S.A.</small>	
TITLE	
TR-700 RECEIVER	
SIZE	CODE IDENT
D	57010
SCALE	DWG.NO.
	770645
	SHEET

This drawing, written description or specification represents a proprietary product of TELEX, Lincoln, NE., and shall not be released, disclosed, nor duplicated without the written permission of TELEX

REVISIONS				
CHG.NO.	LTR	DESCRIPTION	DATE	APPD
	PB	ADDED Q952, Q953, R954, R955, AND R956, AND NOTE 2	01/09/01	TJY



2. TEST POINTS TP957, TP958, TP959, AND TP960 ARE ONLY ON THE SCHEMATIC.
1. REFERENCED TO BOARD 750538.

NOTES:

		DESCRIPTION	ITEM	PART NO.	SPECIFICATION
		UNSPECIFIED LIMITS OF TOLERANCE	DATE	10/18/00	<p>TELEX COMMUNICATIONS INC. Lincoln Nebraska U.S.A.</p> <p>TITLE TR800/700 TOP PANEL BOARD</p>
		DECIMAL:	DR BY		
		FRACTION:	CHK BY		
		ANGLES ±1', BENDS 2 ± °	APPD.		
		STRAIGHTNESS AND/OR FLATNESS .005 IN./1 IN.	PROD.		
		CONCENTRICITY .010 TIR	MATERIAL:		
		UNMARKED ANGLES, BENDS AND INTERSECTIONS 90 °			
		THREADS- EXT. CLASS 2A INT. CLASS 2B			
NEXT ASSY.	USED ON				SIZE C
APPLICATIONS					CODE IDENT 57010
					DWG. NO. 770661
					SCALE: NONE
					SHEET: 1 OF 1