



Residential Electric Water Heaters

Featuring a variety of models designed for installations in cottages, offices, mobile homes or other applications where space is limited, the Space Saver® line of residential electric water heaters provides optimum reliability, performance and energy efficiency.

DESIGNED FOR PERFORMANCE

- Exclusive TankSaver® design
- Glass-lined tanks for longer life
- Meets latest energy efficiency standards
- Factory-installed plastic-lined nipples
- Patented Styropour® base for added energy efficiency
- Thermostatically controlled long life elements
- CFC-free foam insulation
- Personnel protector covers elements and controls

EASY TO INSTALL AND REPAIR

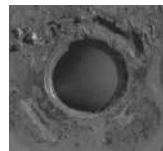
- Conveniently located T&P and drain valve
- Removable anodes

WARRANTY

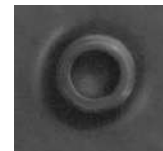
- 6 year limited tank warranty
- 1 year limited parts warranty

EXCLUSIVE DESIGN

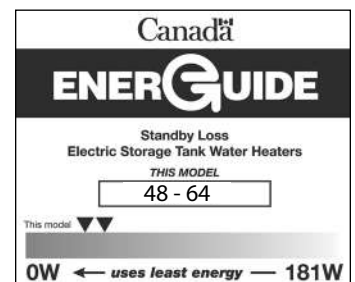
- The exclusive TankSaver design aids the glass lining process to ensure optimum coverage, and guards tank openings for watertight connections



Without TankSaver



With TankSaver





Residential Electric Water Heaters

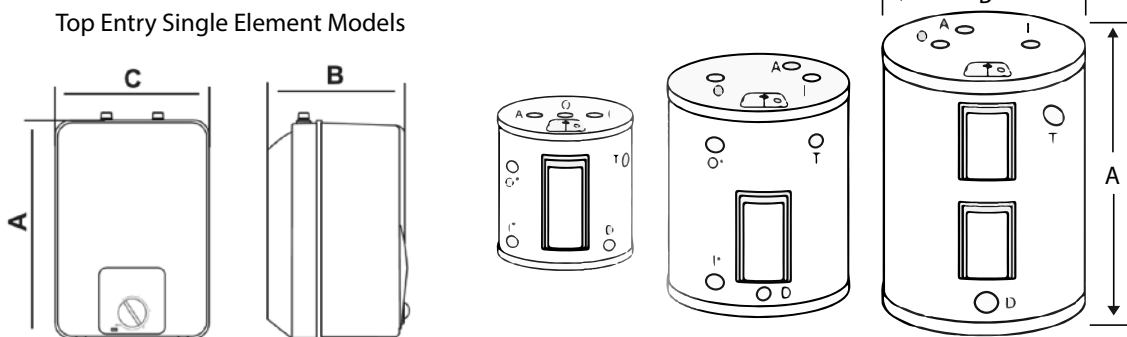
SPECIFICATIONS														
Model	Series	Capacity			Input		Recovery Rate at 90°F Temperature Rise	Standby Loss	Height	Diameter*		Width	Shipping Weight	BC/ON/QC Compliant
		IG	USG	L	WATTS	VOLTS				GPH (LPH)	WATTS			
TOP ENTRY SINGLE ELEMENT MODELS														
SS025SE15	100	2	2.5	9	1440	120**	7 (26)	N/A	14 ½ (37)	10 ¾ (26)	11 ¾ (30)	17 (8)	√	
SS04SE15	100	3	4	15	1440	120**	7 (26)	N/A	19 ¼ (49)	10 ¾ (26)	11 ¾ (30)	20 (9)	√	
BOTTOM ENTRY SINGLE ELEMENT MODELS														
SS06SEB15	N/A	5	6	23	1500	120	7 (26)	N/A	15 ¼ (39)	14 ¼ (36)	N/A	35 (16)	√	
SS06SEB30	N/A	5	6	23	3000+	240	14 (53)	N/A	15 ¼ (39)	14 ¼ (36)	N/A	35 (16)	√	
SS12SEB15	N/A	9	12	43	1500	120	7 (26)	N/A	22 ¾ (58)	16 (41)	N/A	55 (25)	√	
SS12SEB30	N/A	9	12	43	3000+	240	14 (53)	N/A	22 ¾ (58)	16 (41)	N/A	55 (25)	√	
SS620SSEB-15K	100	14	19	65	1500	120	7 (26)	51	25 ½ (65)	20 (51)	N/A	65 (30)	√	
SS620SSEB-30	100	14	19	65	3000+	240	14 (53)	51	25 ½ (65)	20 (51)	N/A	65 (30)	√	
SS630SSEBN-15K	100	22	30	108	1500	120	7 (26)	48	30 (76)	22 (56)	N/A	101 (46)	√	
SS630SSEBN-30	100	22	30	108	3000+	240	14 (53)	48	30 (76)	22 (56)	N/A	101 (46)	√	
TOP ENTRY DOUBLE ELEMENT MODELS														
SS640SDE3-15K	100	30	40	143	1500	120	7 (26)	54	50 (127)	20 (51)	N/A	103 (47)	√	
SS640SDE3-30X	100	30	40	143	3000	208	14 (53)	54	50 (127)	20 (51)	N/A	103 (47)	√	
SS640SDE3-30	100	30	40	143	3000+	240	14 (53)	54	50 (127)	20 (51)	N/A	103 (47)	√	
LOWBOY TOP ENTRY DOUBLE ELEMENT MODELS														
SS630LDE-45X	250	22	30	108	4500**	208	20 (76)	53	31 (79)	22 (56)	N/A	96 (44)	ON/QC only	
SS630LDE-45	250	22	30	108	4500**	240	20 (76)	53	31 (79)	22 (56)	N/A	96 (44)	ON/QC only	
SS640LDE-45X	250	30	40	143	4500**	208	20 (76)	62	33 ½ (85)	24 (61)	N/A	113 (51)	ON/QC only	
SS640LDE-45	250	30	40	143	4500**	240	20 (76)	62	33 ½ (85)	24 (61)	N/A	113 (51)	ON/QC only	
SS650LDE-45	280	40	50	181	4500**	240	20 (76)	64	37 ¾ (96)	26 ½ (67)	N/A	170 (77)	-	

*Depth on model SS025SE15 and SS04SE15.

**Plug-in model.

*Model is dual-rated. At 208V wattage is 2253.

**Model is dual-rated. At 208V wattage is 3380.



***Note: 6, 12 and 19 USG models have side connections on left side.