

SYLVANIA Lamps

Natural™ Series A15

TruWave Technology™

TruWave Technology offers the best alternative to natural light by mimicking the natural light spectrum, all while saving energy.

Benefits and Features

- Controls blue wavelengths for lower glare and reduced eye strain to improve readability and supports an improved sleep-wake cycle
- Perfect fit where clean light color rendering is needed for seeing realistic, vivid colors without sacrificing light output
- Properly saturates red to make building spaces and flesh tones accurate and vibrant, without oversaturating (which compromises energy efficiency)
- Exceptional color quality without the loss of efficacy typical of most 90+ CRI solutions
- Up to 82 LPW
- 2700K and 5000K color temperatures
- CRI 90+ for exceptional color quality

Electrical

- 120VAC
- Power factor >0.90
- Dimmable down to 10%

Rated Life

- 15,000 hours (L₇₀)

Warranty

- 5 year limited lamp warranty (3 hours per day operation)

Ambient Operating Range

- -4°F to 113°F (-20°C to 45°C)



Wattage Comparison

Traditional Source	Traditional System Wattage	LED System Wattage	Energy Savings
Incandescent	40	5.5	\$57
Incandescent	60	8	\$86

Certifications and Listings

- cULus
- RoHS
- Lead Free
- FCC*
- ENERGY STAR®
- California Title 20

*FCC Title 47 CFR, Part 15 Subpart B Class B



LED536R1 11-20



Distributed by:



Locations in:
 Farmingdale, NY
 Burbank, CA
 Las Vegas, NV
 Miami, FL

CALL US
 1-800-624-2852

— OR —

EMAIL US AT
 btg@bulbtronics.com

Specification Data

Catalog #	Type
Project	
Comments	
Prepared by	

Ordering Guide

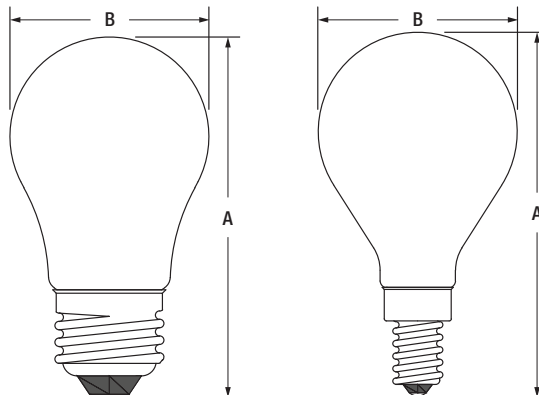
LED	XX	A15	X	DIM	9	XX	XX	13Y	TL	BL2
LED	Wattage 5.5 = 5.5 Watts 8 = 8 Watts	Lamp Type A15	Blank = Medium Base C = Candelabra Base	DIM = Dimmable	CRI 9 = 90	Color Temperature 27 = 2700K 50 = 5000K	Bulb Finish CL = Clear F = Frosted	Lamp Life 13Y = 13 Year Life	TL = Natural with TruWave Technology™	BL2 = 2PK Blister

Ordering Information

Item Number	Ordering Abbreviation	Power (W)	Base Type	Input Voltage	Average Life (hrs)	Typical Lumens (lm)	CCT	CRI	LPW	CEC
40761	LED5.5A15DIM927CL13YTLBL2 8/CS 2/SKU	5.5	E26	120V	15,000	450	2700K	90+	82	Yes
40762	LED5.5A15DIM927F13YTLBL2 8/CS 2/SKU	5.5	E26	120V	15,000	450	2700K	90+	82	Yes
40774	LED5.5A15CDIM927CL13YTLBL2 8/CS 2/SKU	5.5	E12	120V	15,000	450	2700K	90+	82	Yes
40775	LED5.5A15DIM950F13YTLBL2 8/CS 2/SKU	5.5	E26	120V	15,000	450	5000K	90+	82	Yes
40763	LED8A15DIM927F13YTLBL2 8/CS 2/SKU	8	E26	120V	15,000	800	2700K	90+	63	Yes
40776	LED8A15DIM950F13YTLBL2 8/CS 2/SKU	8	E26	120V	15,000	800	5000K	90+	63	Yes

Physical Information

	(A) Height inches (mm)	(B) Diameter inches (mm)
A15 E12 Base	3.43 (87)	1.85 (47)
A15 E26 Base	3.39 (86)	1.85 (47)



Distributed by:



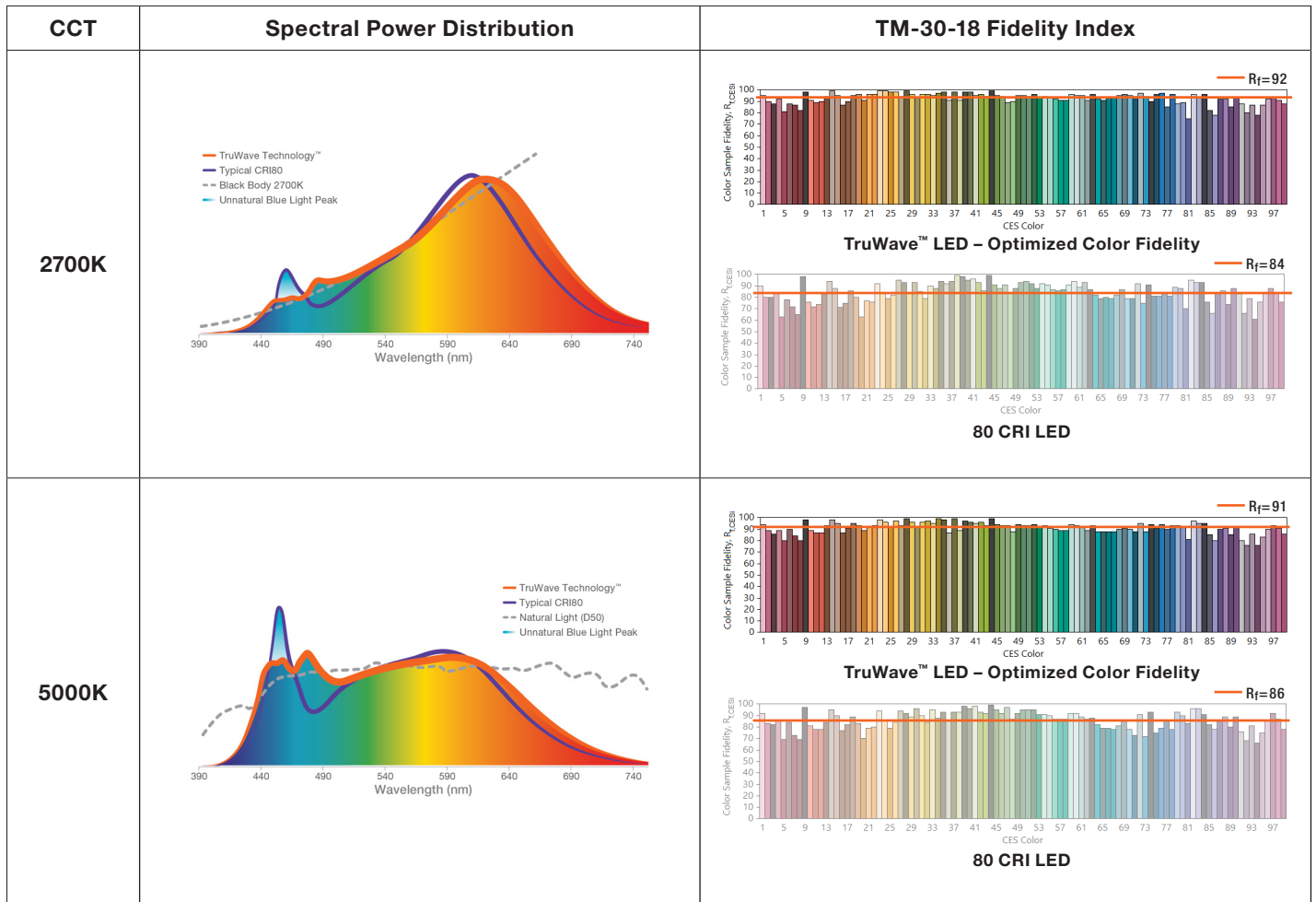
Locations in:
Farmingdale, NY
Burbank, CA
Las Vegas, NV
Miami, FL

CALL US
1-800-624-2852

—OR—

EMAIL US AT
btg@bulbtronics.com

Color Quality Comparison



LEDVANCE LLC
 200 Ballardvale Street
 Wilmington, MA 01887 USA
 Phone 1-800-LIGHTBULB (1-800-544-4828)
www.sylvania.com

SYLVANIA and LEDVANCE are registered trademarks.
 All other trademarks are those of their respective owners.
 Licensee of product trademark SYLVANIA in general lighting.
 Specifications subject to change without notice.

[/sylvania](https://twitter.com/sylvania) [/sylvania](https://facebook.com/sylvania)



© 2020 LEDVANCE LLC

Distributed by:



Locations in:
 Farmingdale, NY
 Burbank, CA
 Las Vegas, NV
 Miami, FL

CALL US
 1-800-624-2852

—OR—

EMAIL US AT
btg@bulbtronics.com

SYLVANIA Lamps

Natural™ Series A19/A21

TruWave Technology™

TruWave Technology offers the best alternative to natural light by mimicking the natural light spectrum, all while saving energy.

Benefits and Features

- Controls blue wavelengths for lower glare and reduced eye strain to improve readability and supports an improved sleep-wake cycle
- Perfect fit where clean light color rendering is needed for seeing realistic, vivid colors without sacrificing light output
- Properly saturates red to make building spaces and flesh tones accurate and vibrant, without oversaturating (which compromises energy efficiency)
- Exceptional color quality without the loss of efficacy typical of most 90+ CRI solutions
- Up to 123 LPW
- 2700K, 3000K, 4000K and 5000K color temperatures
- CRI 90+ for exceptional color quality

Electrical

- 120VAC
- Power factor >0.90
- Dimmable down to 10%

Rated Life

- 15,000 hours (L₇₀)

Warranty

- 5 year limited lamp warranty (3 hours per day operation)

Ambient Operating Range

- -4°F to 113°F (-20°C to 45°C)



Wattage Comparison

Traditional Source	Traditional System Wattage	LED System Wattage	Energy Savings
Incandescent	40	5.5	\$57
Incandescent	60	8	\$86
Incandescent	75	11	\$106
Incandescent	100	15	\$140

Certifications and Listings

- cULus
- RoHS
- Lead Free
- FCC*
- ENERGY STAR®
- California Title 20

*FCC Title 47 CFR, Part 15 Subpart B Class B



LED537 3-21



Distributed by:



Locations in:
 Farmingdale, NY
 Burbank, CA
 Las Vegas, NV
 Miami, FL

CALL US
 1-800-624-2852

— OR —

EMAIL US AT
 btg@bulbtronics.com

Catalog #	Type
Project	
Comments	
Prepared by	

Ordering Guide

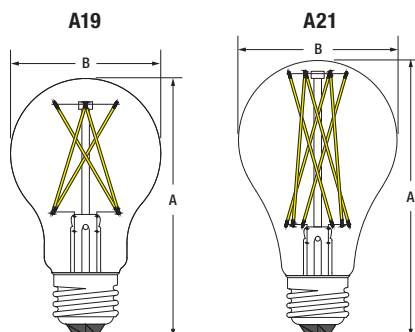
LED	XX	AXX	DIM	XX	9	XX	13Y	TL	RPX
LED	Wattage 5.5 = 5.5 Watts 8 = 8 Watts 11 = 11 Watts 15 = 15 Watts	Lamp Type A19, A21	DIM = Dimmable	Bulb Finish CL = Clear O = Omnidirectional	CRI 9 = 90+	Color Temperature 27 = 2700K 30 = 3000K 40 = 4000K 50 = 5000K	Lamp Life 13Y = 13 Year Life	TL = Natural with TruWave Technology™	RP = Retail Pack RP4 = 4PK Retail

Ordering Information

Item Number	Ordering Abbreviation	Finish	Power (W)	Base Type	Input Voltage	Average Life (hrs)	Typical Lumens (lm)	CCT	CRI	LPW
40686	LED5.5A19DIMCL92713YTLRP4 16/CS 4/SKU	Clear	5.5	E26	120V	15,000	450	2700K	90+	82
40699	LED5.5A19DIMCL92713YTLRP 6/CS 1/SKU	Clear	5.5	E26	120V	15,000	450	2700K	90+	82
40724	LED5.5A19DIM092713YTLRP 6/CS 1/SKU	Frosted	5.5	E26	120V	15,000	450	2700K	90+	82
40668	LED5.5A19DIM092713YTLRP4 16/CS 4/SKU	Frosted	5.5	E26	120V	15,000	450	2700K	90+	82
41150	LED5.5A19DIM093013YTLRP 6/CS 1/SKU	Frosted	5.5	E26	120V	15,000	450	3000K	90+	82
41212	LED5.5A19DIM093513YTLRP 6/CS 1/SKU	Frosted	5.5	E26	120V	15,000	450	3500K	90+	82
41143	LED5.5A19DIM094013YTLRP4 16/CS 4/SKU	Frosted	5.5	E26	120V	15,000	450	4000K	90+	82
40725	LED5.5A19DIM095013YTLRP 6/CS 1/SKU	Frosted	5.5	E26	120V	15,000	450	5000K	90+	82
40669	LED5.5A19DIM095013YTLRP4 16/CS 4/SKU	Frosted	5.5	E26	120V	15,000	450	5000K	90+	82
49826	LED5.5A19DIMCL95013YTLRP4 16/CS 4/SKU	Clear	5.5	E26	120V	15,000	450	5000K	90+	82
40671	LED8A19DIM092713YTLRP 6/CS 1/SKU	Frosted	8	E26	120V	15,000	800	2700K	90+	100
40670	LED8A19DIM092713YTLRP4 16/CS 4/SKU	Frosted	8	E26	120V	15,000	800	2700K	90+	100
40700	LED8A19DIMCL92713YTLRP 6/CS 1/SKU	Clear	8	E26	120V	15,000	800	2700K	90+	100
40687	LED8A19DIMCL92713YTLRP4 16/CS 4/SKU	Clear	8	E26	120V	15,000	800	2700K	90+	100
41151	LED8A19DIM093013YTLRP 6/CS 1/SKU	Frosted	8	E26	120V	15,000	800	3000K	90+	100
41211	LED8A19DIM093513YTLRP 6/CS 1/SKU	Frosted	8	E26	120V	15,000	800	3500K	90+	100
41142	LED8A19DIM094013YTLRP 16/CS 4/SKU	Frosted	8	E26	120V	15,000	800	4000K	90+	100
40673	LED8A19DIM095013YTLRP 6/CS 1/SKU	Frosted	8	E26	120V	15,000	800	5000K	90+	100
40672	LED8A19DIM095013YTLRP4 16/CS 4/SKU	Frosted	8	E26	120V	15,000	800	5000K	90+	100
49827	LED8A19DIMCL95013YTLRP4 16/CS 4/SKU	Clear	8	E26	120V	15,000	800	5000K	90+	100
40701	LED11A19DIMCL92713YTLRP 6/CS 1/SKU	Clear	11	E26	120V	15,000	1100	2700K	90+	100
40688	LED11A19DIMCL92713YTLRP4 16/CS 4/SKU	Clear	11	E26	120V	15,000	1100	2700K	90+	100
40726	LED11A19DIM092713YTLRP 6/CS 1/SKU	Frosted	11	E26	120V	15,000	1100	2700K	90+	100
40662	LED11A19DIM092713YTLRP4 16/CS 4/SKU	Frosted	11	E26	120V	15,000	1100	2700K	90+	100
41152	LED11A19DIM093013YTLRP 6/CS 1/SKU	Frosted	11	E26	120V	15,000	1100	3000K	90+	100
41213	LED11A19DIM093513YTLRP 6/CS 1/SKU	Frosted	11	E26	120V	15,000	1100	3500K	90+	100
41144	LED11A19DIM094013YTLRP 16/CS 4/SKU	Frosted	11	E26	120V	15,000	1100	4000K	90+	100
40727	LED11A19DIM095013YTLRP 6/CS 1/SKU	Frosted	11	E26	120V	15,000	1100	5000K	90+	100
40663	LED11A19DIM095013YTLRP4 16/CS 4/SKU	Frosted	11	E26	120V	15,000	1100	5000K	90+	100
40803	LED11A19DIMCL95013YTLRP4 16/CS 4/SKU	Clear	11	E26	120V	15,000	1100	5000K	90+	100
40702	LED15A21DIMCL92713YTLRP 6/CS 1/SKU	Clear	15	E26	120V	15,000	1600	2700K	90+	107
40754	LED15A21DIMCL92713YTLRP2 8/CS 2/SKU	Clear	15	E26	120V	15,000	1600	2700K	90+	107
40689	LED15A21DIMCL92713YTLRP4 16/CS 4/SKU	Clear	15	E26	120V	15,000	1600	2700K	90+	107
40665	LED15A21DIM092713YTLRP 6/CS 1/SKU	Frosted	15	E26	120V	15,000	1600	2700K	90+	107
40752	LED15A21DIM092713YTLRP2 8/CS 2/SKU	Frosted	15	E26	120V	15,000	1600	2700K	90+	107
40664	LED15A21DIM092713YTLRP4 16/CS 4/SKU	Frosted	15	E26	120V	15,000	1600	2700K	90+	107
41149	LED15A21DIM093013YTLRP 6/CS 1/SKU	Frosted	15	E26	120V	15,000	1600	3000K	90+	107
41187	LED15A21DIM093513YTLRP 6/CS 1/SKU	Frosted	15	E26	120V	15,000	1600	3500K	90+	107
41137	LED15A21DIM094013YTLRP 6/CS 1/SKU	Frosted	15	E26	120V	15,000	1600	4000K	90+	107
40667	LED15A21DIM095013YTLRP 6/CS 1/SKU	Frosted	15	E26	120V	15,000	1600	5000K	90+	107
40666	LED15A21DIM095013YTLRP4 16/CS 4/SKU	Frosted	15	E26	120V	15,000	1600	5000K	90+	107
40875	LED15A21DIMCL95013YTLRP4 16/CS 4/SKU	Clear	15	E26	120V	15,000	1600	5000K	90+	107

Physical Information

	(A) Height inches (mm)	(B) Diameter inches (mm)
A19	4.05 (103)	2.36 (60)
A21	4.57 (116)	2.64 (67)



Distributed by:



Locations in:
Farmingdale, NY
Burbank, CA
Las Vegas, NV
Miami, FL

CALL US
1-800-624-2852

—OR—

EMAIL US AT
btg@bulbtronics.com

Color Quality Comparison

CCT	Spectral Power Distribution	TM-30-18 Fidelity Index
2700K		
3000K		
4000K		
5000K		

Distributed by:



Locations in:
 Farmingdale, NY
 Burbank, CA
 Las Vegas, NV
 Miami, FL

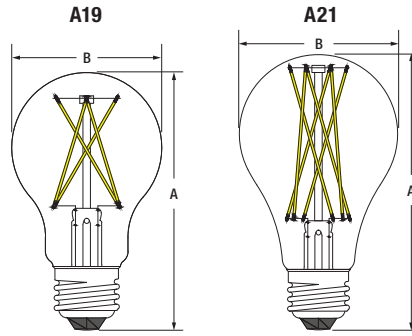
CALL US
 1-800-624-2852

—OR—

EMAIL US AT
btg@bulbtronics.com

Physical Information

	(A) Height inches (mm)	(B) Diameter inches (mm)
A19	4.05 (103)	2.36 (60)
A21	4.57 (116)	2.64 (67)



LEDVANCE LLC
200 Ballardvale Street
Wilmington, MA 01887 USA
Phone 1-800-LIGHTBULB (1-800-544-4828)
www.sylvania.com

SYLVANIA and LEDVANCE are registered trademarks.
All other trademarks are those of their respective owners.
Licensee of product trademark SYLVANIA in general lighting.
Specifications subject to change without notice.

 /sylvania  /sylvania

© 2021 LEDVANCE LLC

SYLVANIA 

Distributed by:



Locations in:
Farmingdale, NY
Burbank, CA
Las Vegas, NV
Miami, FL

CALL US
1-800-624-2852

—OR—

EMAIL US AT
btg@bulbtronics.com

SYLVANIA Lamps

Natural™ Series A21 3-Way

TruWave Technology™

TruWave Technology offers the best alternative to natural light by mimicking the natural light spectrum, all while saving energy.

Benefits and Features

- Controls blue wavelengths for lower glare and reduced eye strain to improve readability and supports an improved sleep-wake cycle
- Perfect fit where clean light color rendering is needed for seeing realistic, vivid colors without sacrificing light output
- Properly saturates red to make building spaces and flesh tones accurate and vibrant, without oversaturating (which compromises energy efficiency)
- Exceptional color quality without the loss of efficacy typical of most 90+ CRI solutions
- Up to 107 LPW
- 2700K and 5000K color temperatures
- CRI 90+ for exceptional color quality

Electrical

- 120VAC
- Power factor >0.90

Rated Life

- 15,000 hours (L₇₀)

Warranty

- 5 year limited lamp warranty (3 hours per day operation)

Ambient Operating Range

- -4°F to 113°F (-20°C to 45°C)



Wattage Comparison

Traditional Source	Traditional System Wattage	LED System Wattage	Energy Savings
Incandescent	40/60/100	13.5	\$143

Certifications and Listings

- cULus
- RoHS
- Lead Free
- FCC*
- ENERGY STAR®
- California Title 20

*FCC Title 47 CFR, Part 15 Subpart B Class B



LED538 7-20



Distributed by:



Locations in:
 Farmingdale, NY
 Burbank, CA
 Las Vegas, NV
 Miami, FL

CALL US
 1-800-624-2852

—OR—

EMAIL US AT
 btg@bulbtronics.com

Specification Data

Catalog #	Type
Project	
Comments	
Prepared by	

Ordering Guide

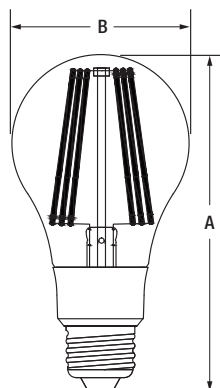
LED	13.5	AXX	3WAY	0	9	XX	XX	13Y	TL	RP
LED	Wattage 13.5 = 13.5 Watts	Lamp Type A21	3-Way	0 = Omnidirectional	CRI 9 = 90	Color Temperature 27 = 2700K 50 = 5000K	Bulb Finish CL = Clear F = Frosted	Lamp Life 13Y = 13 Year Life	TL = Natural with TruWave Technology™	RP = Retail Pack

Ordering Information

Item Number	Ordering Abbreviation	Power (W)	Base Type	Input Voltage	Average Life (hrs)	Typical Lumens (lm)	CCT	CRI	LPW	CEC
40769	LED13.5A213WAY0927CL13YTLRP 6/CS 1/SKU	13.5	E26	120V	15,000	450/800/1450	2700K	90+	107	Yes
40770	LED13.5A213WAY0950CL13YTLRP 6/CS 1/SKU	13.5	E26	120V	15,000	450/800/1450	5000K	90+	107	Yes
40777	LED13.5A213WAY0927F13YTLRP 6/CS 1/SKU	13.5	E26	120V	15,000	450/800/1450	2700K	90+	107	Yes
40778	LED13.5A213WAY0950F13YTLRP 6/CS 1/SKU	13.5	E26	120V	15,000	450/800/1450	5000K	90+	107	Yes

Physical Information

	(A) Height inches (mm)	(B) Diameter inches (mm)
A21 3-Way	5.12 (130)	2.64 (67)



Distributed by:



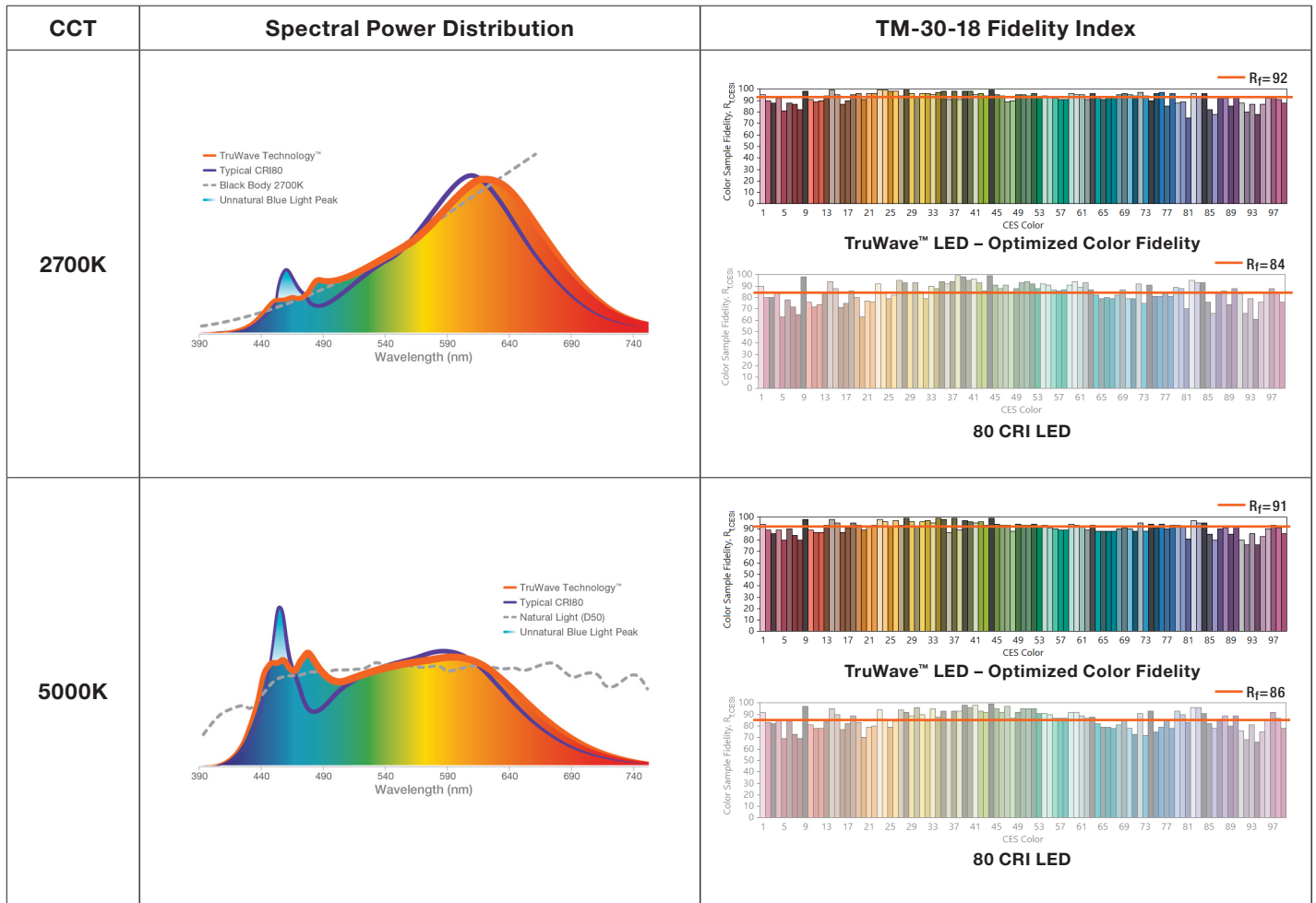
Locations in:
Farmingdale, NY
Burbank, CA
Las Vegas, NV
Miami, FL

CALL US
1-800-624-2852

—OR—

EMAIL US AT
btg@bulbtronics.com

Color Quality Comparison



LEDVANCE LLC
 200 Ballardvale Street
 Wilmington, MA 01887 USA
 Phone 1-800-LIGHTBULB (1-800-544-4828)
www.sylvania.com

SYLVANIA and LEDVANCE are registered trademarks.
 All other trademarks are those of their respective owners.
 Licensee of product trademark SYLVANIA in general lighting.
 Specifications subject to change without notice.

[/sylvania](https://twitter.com/sylvania) [/sylvania](https://facebook.com/sylvania)



© 2020 LEDVANCE LLC

Distributed by:



Locations in:
 Farmingdale, NY
 Burbank, CA
 Las Vegas, NV
 Miami, FL

CALL US
 1-800-624-2852

—OR—

EMAIL US AT
btg@bulbtronics.com

SYLVANIA Lamps

Natural™ Series B10

TruWave Technology™

TruWave Technology offers the best alternative to natural light by mimicking the natural light spectrum, all while saving energy.

Benefits and Features

- Controls blue wavelengths for lower glare and reduced eye strain to improve readability and supports an improved sleep-wake cycle
- Perfect fit where clean light color rendering is needed for seeing realistic, vivid colors without sacrificing light output
- Properly saturates red to make building spaces and flesh tones accurate and vibrant, without oversaturating (which compromises energy efficiency)
- Exceptional color quality without the loss of efficacy typical of most 90+ CRI solutions
- Up to 91 LPW
- 2700K and 5000K color temperatures
- CRI 90+ for exceptional color quality

Electrical

- 120VAC
- Power factor >0.90
- Dimmable down to 10%

Rated Life

- 15,000 hours (L₇₀)

Warranty

- 5 year limited lamp warranty (3 hours per day operation)

Ambient Operating Range

- -4°F to 113°F (-20°C to 45°C)



Wattage Comparison

Traditional Source	Traditional System Wattage	LED System Wattage	Energy Savings
Incandescent	25	3	\$36
Incandescent	40	4	\$59
Incandescent	40	4.5	\$59
Incandescent	60	5.5	\$90

Certifications and Listings

- cULus
- RoHS
- Lead Free
- FCC*
- ENERGY STAR®
- California Title 20

*FCC Title 47 CFR, Part 15 Subpart B Class B



LED539 7-20



Distributed by:



Locations in:
 Farmingdale, NY
 Burbank, CA
 Las Vegas, NV
 Miami, FL

CALL US
 1-800-624-2852

— OR —

EMAIL US AT
 btg@bulbtronics.com

Catalog #	Type
Project	
Comments	
Prepared by	

Ordering Guide

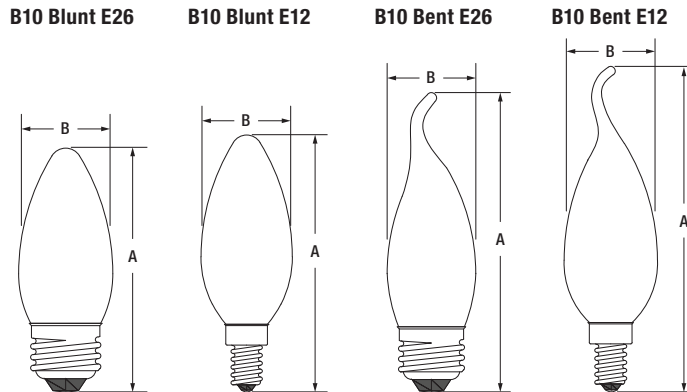
LED	XX	B10	X	XXXXX	DIM	9	XX	XX	13Y	TL	BLX
LED	Wattage 3 = 3 Watts 4 = 4 Watts 4.5 = 4.5 Watts 5.5 = 5.5 Watts	Lamp Type B10	Base Type Blank = Medium C = Candelabra	Bulb Type BENT = Bent BLUNT = Blunt	DIM = Dimmable	CRI 9 = 90	Color Temperature 27 = 2700K 50 = 5000K	Bulb Finish CL = Clear F = Frosted	Lamp Life 13Y = 13 Year Life	TL = Natural with TruWave Technology™	BL = Blister Pack BL2 = 2PK Blister

Ordering Information

Item Number	Ordering Abbreviation	Power (W)	Base Type	Input Voltage	Average Life (hrs)	Typical Lumens (lm)	CCT	CRI	LPW	CEC
40854	LED3B10CBENDIMCL92713YTLBL2 12/CS 2/SKU	3	E12	120V	15,000	200	2700K	90+	67	Yes
40855	LED3B10CBENDIMCL95013YTLBL2 12/CS 2/SKU	3	E12	120V	15,000	200	5000K	90+	67	Yes
40755	LED4B10CBENDIM927CL13YTLBL2 12/CS 2/SKU	4	E12	120V	15,000	350	2700K	90+	88	Yes
40756	LED4B10CBENDIM927CL13YTLBL2 12/CS 2/SKU	4	E26	120V	15,000	350	2700K	90+	88	Yes
40791	LED4B10CBENDIM950CL13YTLBL2 12/CS 2/SKU	4	E12	120V	15,000	350	5000K	90+	88	Yes
40792	LED4B10CBENDIM950CL13YTLBL2 12/CS 2/SKU	4	E26	120V	15,000	350	5000K	90+	88	Yes
40793	LED4B10BLUNTDIM927CL13YTLBL2 12/CS 2/SKU	4	E26	120V	15,000	350	2700K	90+	88	Yes
40794	LED4B10BLUNTDIM927CL13YTLBL2 12/CS 2/SK	4	E12	120V	15,000	350	2700K	90+	88	Yes
40779	LED4.5B10CBENDIMF92713YTLBL2 12/CS 2/SK	4.5	E12	120V	15,000	350	2700K	90+	78	Yes
40780	LED4.5B10CBENDIMF95013YTLBL2 12/CS 2/SK	4.5	E12	120V	15,000	350	5000K	90+	78	Yes
40757	LED5.5B10CBENDIM927CL13YTLBL 12/CS 2/SK	5.5	E12	120V	15,000	500	2700K	90+	91	Yes
40758	LED5.5B10CBENDIM927CL13YTLBL2 12/CS 2/SK	5.5	E26	120V	15,000	500	2700K	90+	91	Yes
40759	LED5.5B10CBENDIM950CL13YTLBL 12/CS 2/SK	5.5	E12	120V	15,000	500	5000K	90+	91	Yes
40760	LED5.5B10CBENDIM950CL13YTLBL2 12/CS 2/SK	5.5	E26	120V	15,000	500	5000K	90+	91	Yes
40781	LED5.5B10CBENDIMF92713YTLBL2 12/CS 2/SK	5.5	E12	120V	15,000	500	2700K	90+	91	Yes
40782	LED5.5B10CBENDIMF95013YTLBL2 12/CS 2/SK	5.5	E12	120V	15,000	500	5000K	90+	91	Yes
40783	LED5.5B10CBENDIMF92713YTLBL2 12/CS 2/SKU	5.5	E26	120V	15,000	500	2700K	90+	91	Yes
40795	LED5.5B10BLUNTDIM927CL13YTLBL2 12/CS 2/S	5.5	E26	120V	15,000	500	2700K	90+	91	Yes
40796	LED5.5B10BLUNTDIM927CL13YTLBL 12/CS 2/	5.5	E12	120V	15,000	500	2700K	90+	91	Yes

Physical Information

	(A) Height inches (mm)	(B) Diameter inches (mm)
B10 Blunt E26	3.54 (90)	1.38 (35)
B10 Blunt E12	3.90 (99)	1.38 (35)
B10 Bent E26	4.33 (110)	1.38 (35)
B10 Bent E12	4.72 (120)	1.38 (35)



Distributed by:



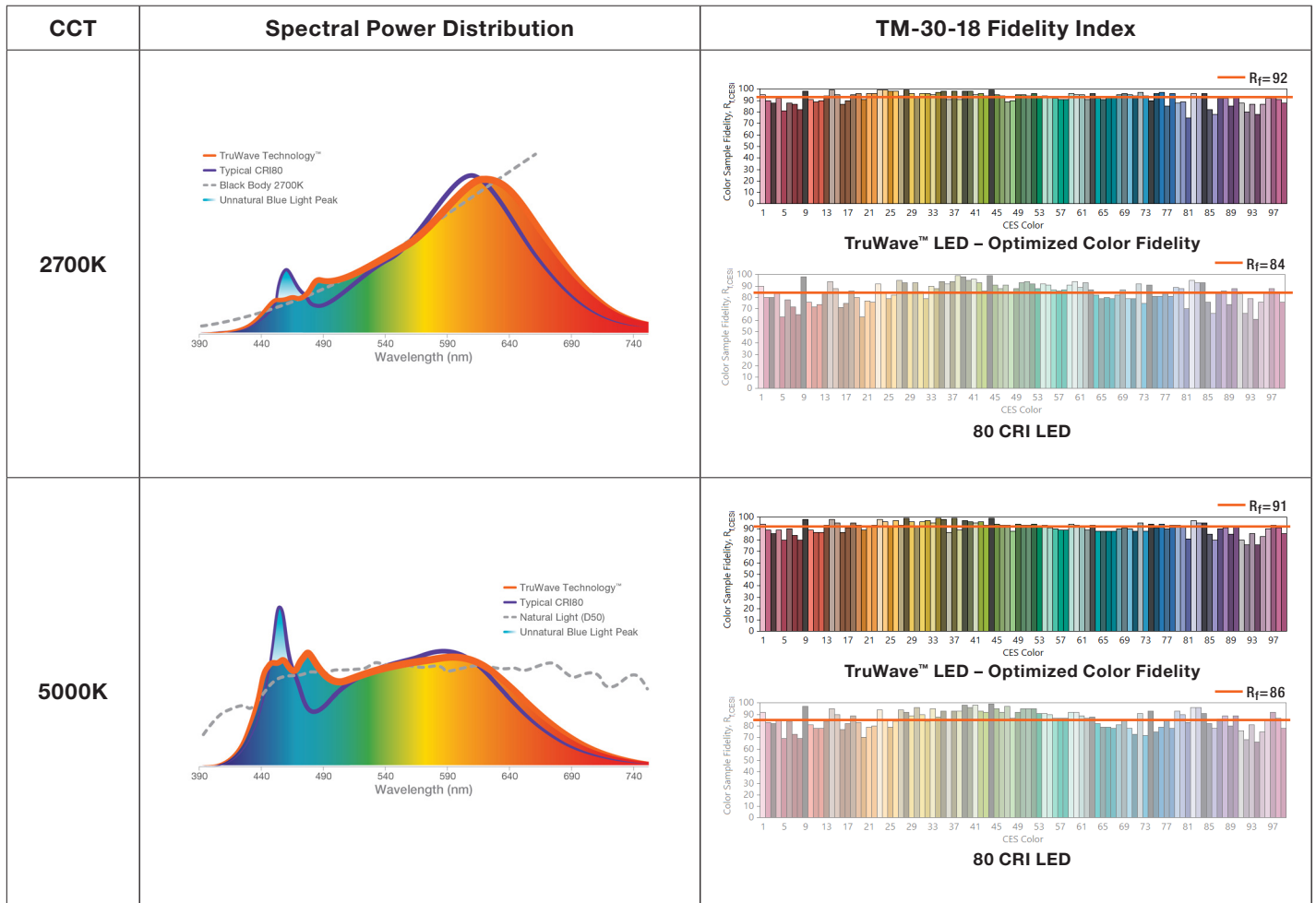
Locations in:
Farmingdale, NY
Burbank, CA
Las Vegas, NV
Miami, FL

CALL US
1-800-624-2852

—OR—

EMAIL US AT
btg@bulbtronics.com

Color Quality Comparison



LEDVANCE LLC
 200 Ballardvale Street
 Wilmington, MA 01887 USA
 Phone 1-800-LIGHTBULB (1-800-544-4828)
www.sylvania.com

SYLVANIA and LEDVANCE are registered trademarks.
 All other trademarks are those of their respective owners.
 Licensee of product trademark SYLVANIA in general lighting.
 Specifications subject to change without notice.

[/sylvania](https://twitter.com/sylvania) [/sylvania](https://facebook.com/sylvania)



© 2020 LEDVANCE LLC

Distributed by:



Locations in:
 Farmingdale, NY
 Burbank, CA
 Las Vegas, NV
 Miami, FL

CALL US
 1-800-624-2852

—OR—

EMAIL US AT
btg@bulbtronics.com

SYLVANIA Lamps

Natural™ Series G16.5

TruWave Technology™

TruWave Technology offers the best alternative to natural light by mimicking the natural light spectrum, all while saving energy.

Benefits and Features

- Controls blue wavelengths for lower glare and reduced eye strain to improve readability and supports an improved sleep-wake cycle
- Perfect fit where clean light color rendering is needed for seeing realistic, vivid colors without sacrificing light output
- Properly saturates red to make building spaces and flesh tones accurate and vibrant, without oversaturating (which compromises energy efficiency)
- Exceptional color quality without the loss of efficacy typical of most 90+ CRI solutions
- Up to 91 LPW
- 2700K and 5000K color temperatures
- CRI 90+ for exceptional color quality

Electrical

- 120VAC
- Power factor >0.90
- Dimmable down to 10%

Rated Life

- 15,000 hours (L₇₀)

Warranty

- 5 year limited lamp warranty (3 hours per day operation)

Ambient Operating Range

- -4°F to 113°F (-20°C to 45°C)



Wattage Comparison

Traditional Source	Traditional System Wattage	LED System Wattage	Energy Savings
Incandescent	40	4	\$59
Incandescent	40	4.5	\$59
Incandescent	60	5.5	\$90

Certifications and Listings

- cULus
- RoHS
- Lead Free
- FCC*
- ENERGY STAR®
- California Title 20

*FCC Title 47 CFR, Part 15 Subpart B Class B



LED540 7-20



Distributed by:



Locations in:
 Farmingdale, NY
 Burbank, CA
 Las Vegas, NV
 Miami, FL

CALL US
 1-800-624-2852

— OR —

EMAIL US AT
 btg@bulbtronics.com

Specification Data

Catalog #	Type
Project	
Comments	
Prepared by	

Ordering Guide

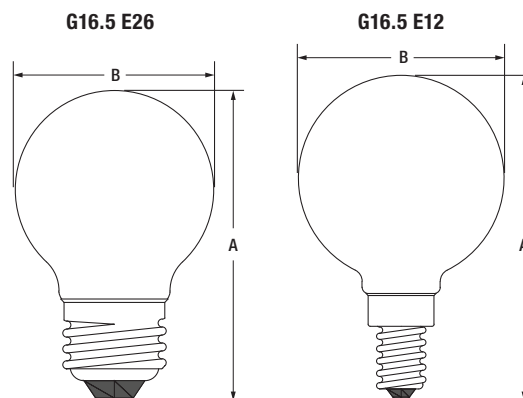
LED	XX	G16.5	X	DIM	9	XX	XX	13Y	TL	BL2
LED	Wattage 4 = 4 Watts 4.5 = 4.5 Watts 5.5 = 5.5 Watts	Lamp Type G16.5	Base Type Blank = Medium C = Candelabra	DIM = Dimmable	CRI 9 = 90	Color Temperature 27 = 2700K 50 = 5000K	Bulb Finish CL = Clear F = Frosted	Lamp Life 13Y = 13 Year Life	TL = Natural with TruWave Technology™	BL2 = 2PK Blister

Ordering Information

Item Number	Ordering Abbreviation	Power (W)	Base Type	Input Voltage	Average Life (hrs)	Typical Lumens (lm)	CCT	CRI	LPW	CEC
40784	LED4G16.5CDIM927CL13YTLBL2 8/CS 2/SKU	4	E12	120V	15,000	350	2700K	90+	88	Yes
40847	LED4G16.5DIM927CL13YTLBL2 8/CS 2/SKU	4	E26	120V	15,000	350	2700K	90+	88	Yes
40848	LED4G16.5DIM950CL13YTLBL2 8/CS 2/SKU	4	E26	120V	15,000	350	5000K	90+	88	Yes
40849	LED4G16.5CDIM950CL13YTLBL2 8/CS 2/SKU	4	E12	120V	15,000	350	5000K	90+	88	Yes
40797	LED4.5G16.5CDIM927F13YTLBL2 8/CS 2/SKU	4.5	E12	120V	15,000	350	2700K	90+	78	Yes
40798	LED4.5G16.5CDIM950F13YTLBL2 8/CS 2/SKU	4.5	E12	120V	15,000	350	5000K	90+	78	Yes
40799	LED4.5G16.5DIM927F13YTLBL2 8/CS 2/SKU	4.5	E26	120V	15,000	350	2700K	90+	78	Yes
40800	LED5.5G16.5CDIM927F13YTLBL2 8/CS 2/SKU	5.5	E12	120V	15,000	500	2700K	90+	91	Yes
40801	LED5.5G16.5CDIM950F13YTLBL2 8/CS 2/SKU	5.5	E12	120V	15,000	500	5000K	90+	91	Yes
40850	LED5.5G16.5DIM927CL13YTLBL2 8/CS 2/SKU	5.5	E26	120V	15,000	500	2700K	90+	91	Yes
40851	LED5.5G16.5DIM950CL13YTLBL2 8/CS 2/SKU	5.5	E26	120V	15,000	500	5000K	90+	91	Yes
40852	LED5.5G16.5CDIM927CL13YTLBL2 8/CS 2/SKU	5.5	E12	120V	15,000	500	2700K	90+	91	Yes
40853	LED5.5G16.5CDIM950CL13YTLBL2 8/CS 2/SKU	5.5	E12	120V	15,000	500	5000K	90+	91	Yes

Physical Information

	(A) Height inches (mm)	(B) Diameter inches (mm)
G16.5 E26	3.03 (77)	1.97 (50)
G16.5 E12	3.11 (79)	1.97 (50)



Distributed by:



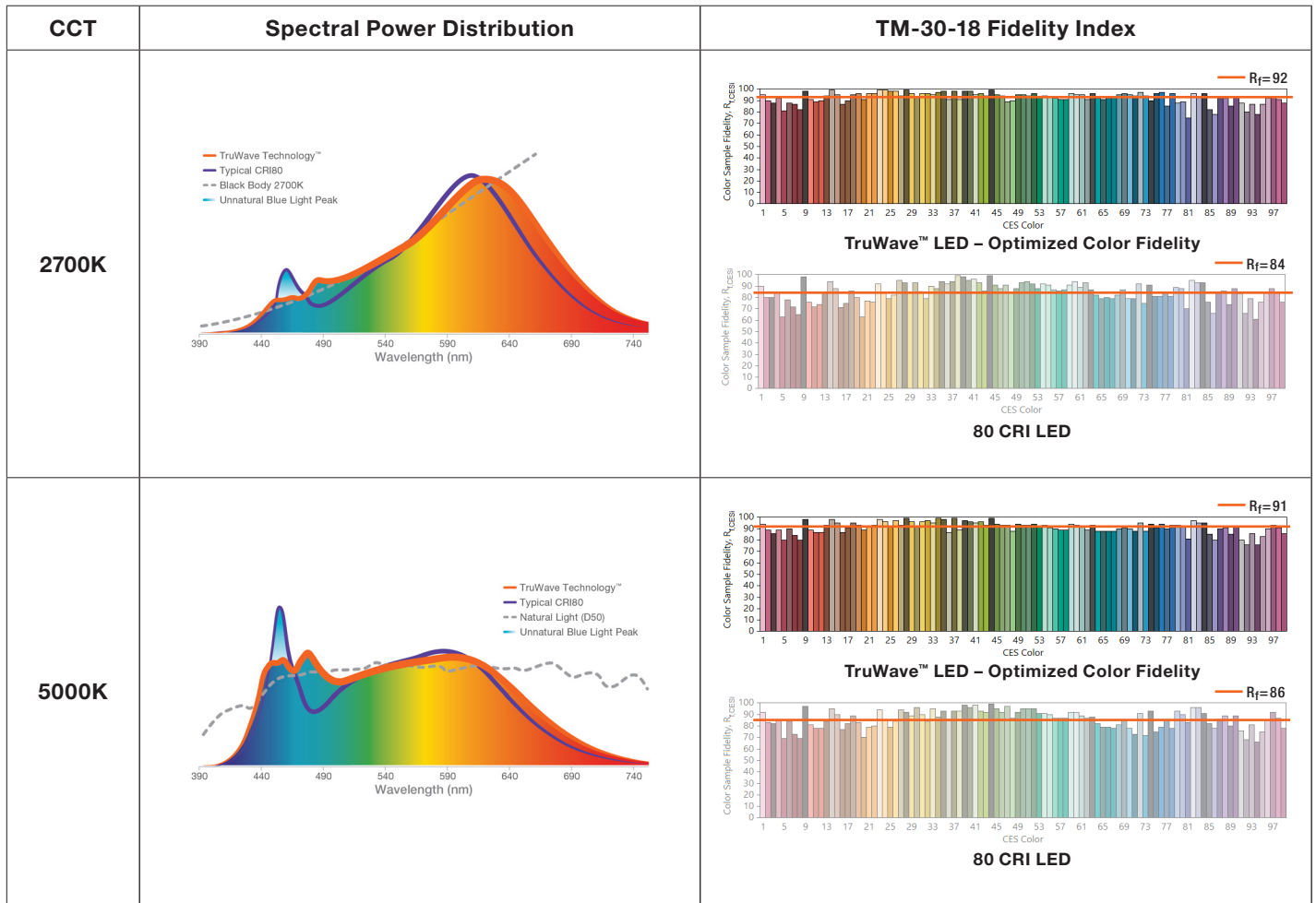
Locations in:
Farmingdale, NY
Burbank, CA
Las Vegas, NV
Miami, FL

CALL US
1-800-624-2852

—OR—

EMAIL US AT
btg@bulbtronics.com

Color Quality Comparison



LEDVANCE LLC
 200 Ballardvale Street
 Wilmington, MA 01887 USA
 Phone 1-800-LIGHTBULB (1-800-544-4828)
www.sylvania.com

SYLVANIA and LEDVANCE are registered trademarks.
 All other trademarks are those of their respective owners.
 Licensee of product trademark SYLVANIA in general lighting.
 Specifications subject to change without notice.

/sylvania /sylvania



© 2020 LEDVANCE LLC

Distributed by:



Locations in:
 Farmingdale, NY
 Burbank, CA
 Las Vegas, NV
 Miami, FL

CALL US
 1-800-624-2852

—OR—

EMAIL US AT
btg@bulbtronics.com

SYLVANIA Lamps

Natural™ Series G25

TruWave Technology™

TruWave Technology offers the best alternative to natural light by mimicking the natural light spectrum, all while saving energy.

Benefits and Features

- Controls blue wavelengths for lower glare and reduced eye strain to improve readability and supports an improved sleep-wake cycle
- Perfect fit where clean light color rendering is needed for seeing realistic, vivid colors without sacrificing light output
- Properly saturates red to make building spaces and flesh tones accurate and vibrant, without oversaturating (which compromises energy efficiency)
- Exceptional color quality without the loss of efficacy typical of most 90+ CRI solutions
- Up to 83 LPW
- 2700K and 5000K color temperatures
- CRI 90+ for exceptional color quality

Electrical

- 120VAC
- Power factor >0.90
- Dimmable down to 10%

Rated Life

- 15,000 hours (L₇₀)

Warranty

- 5 year limited lamp warranty (3 hours per day operation)

Ambient Operating Range

- -4°F to 113°F (-20°C to 45°C)



Wattage Comparison

Traditional Source	Traditional System Wattage	LED System Wattage	Energy Savings
Incandescent	40	4.5	\$59
Incandescent	60	6	\$89

Certifications and Listings

- cULus
- RoHS
- Lead Free
- FCC*
- ENERGY STAR®
- California Title 20

*FCC Title 47 CFR, Part 15 Subpart B Class B



LED541 7-20



Distributed by:



Locations in:
 Farmingdale, NY
 Burbank, CA
 Las Vegas, NV
 Miami, FL

CALL US
 1-800-624-2852

—OR—

EMAIL US AT
 btg@bulbtronics.com

Specification Data

Catalog #	Type
Project	
Comments	
Prepared by	

Ordering Guide

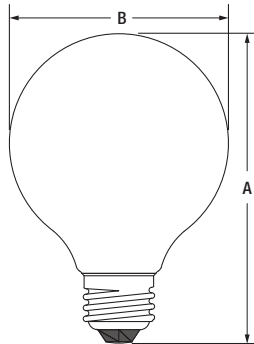
LED	XX	G25	DIM	9	XX	XX	13Y	TL	RP2
LED	Wattage 4.5 = 4.5 Watts 6 = 6 Watts	Lamp Type G25	DIM = Dimmable	CRI 9 = 90	Color Temperature 27 = 2700K 50 = 5000K	Bulb Finish CL = Clear F = Frosted	Lamp Life 13Y = 13 Year Life	TL = Natural with TruWave Technology™	RP2 = 2PK Retail

Ordering Information

Item Number	Ordering Abbreviation	Power (W)	Base Type	Input Voltage	Average Life (hrs)	Typical Lumens (lm)	CCT	CRI	LPW	CEC
40764	LED4.5G25DIM927CL13YTLRP2 6/CS 2/SKU	4.5	E26	120V	15,000	350	2700K	2700K	78	Yes
40765	LED4.5G25DIM927F13YTLRP2 6/CS 2/SKU	4.5	E26	120V	15,000	350	2700K	2700K	78	Yes
40766	LED4.5G25DIM950F13YTLRP2 6/CS 2/SKU	4.5	E26	120V	15,000	350	5000K	5000K	78	Yes
40767	LED6G25DIM927F13YTLRP2 6/CS 2/SKU	6	E26	120V	15,000	500	2700K	2700K	83	Yes
40768	LED6G25DIM950F13YTLRP2 6/CS 2/SKU	6	E26	120V	15,000	500	5000K	5000K	83	Yes

Physical Information

	(A) Height inches (mm)	(B) Diameter inches (mm)
G25	4.45 (113)	3.15 (80)



Distributed by:



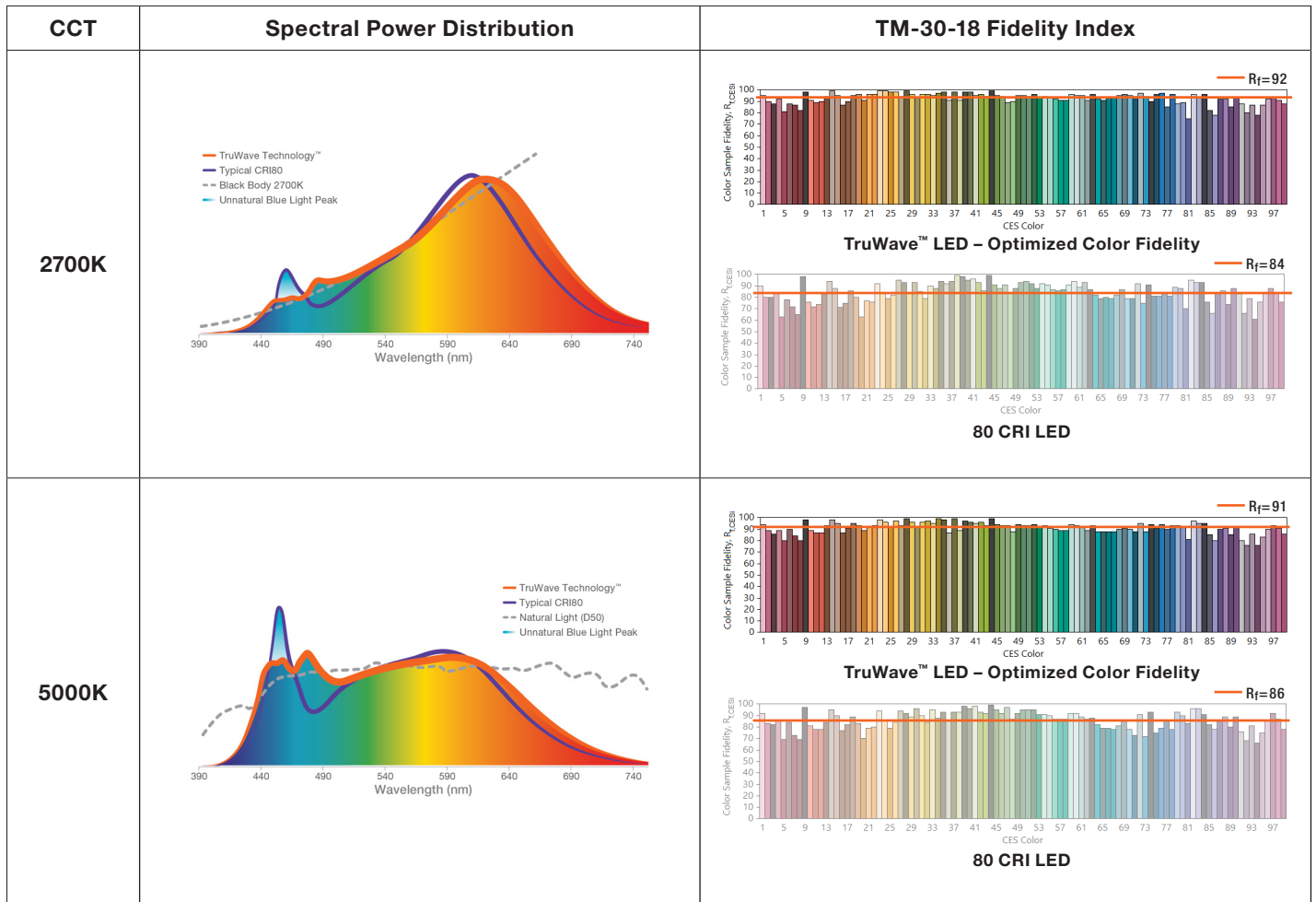
Locations in:
 Farmingdale, NY
 Burbank, CA
 Las Vegas, NV
 Miami, FL

CALL US
 1-800-624-2852

— OR —

EMAIL US AT
 btg@bulbtronics.com

Color Quality Comparison



LEDVANCE LLC
 200 Ballardvale Street
 Wilmington, MA 01887 USA
 Phone 1-800-LIGHTBULB (1-800-544-4828)
www.sylvania.com

SYLVANIA and LEDVANCE are registered trademarks.
 All other trademarks are those of their respective owners.
 Licensee of product trademark SYLVANIA in general lighting.
 Specifications subject to change without notice.

/sylvania /sylvania



© 2020 LEDVANCE LLC

Distributed by:



Locations in:
 Farmingdale, NY
 Burbank, CA
 Las Vegas, NV
 Miami, FL

CALL US
 1-800-624-2852

—OR—

EMAIL US AT
btg@bulbtronics.com

SYLVANIA Lamps

Natural™ Series ST19

TruWave Technology™

TruWave Technology offers the best alternative to natural light by mimicking the natural light spectrum, all while saving energy.

Benefits and Features

- Controls blue wavelengths for lower glare and reduced eye strain to improve readability and supports an improved sleep-wake cycle
- Perfect fit where clean light color rendering is needed for seeing realistic, vivid colors without sacrificing light output
- Properly saturates red to make building spaces and flesh tones accurate and vibrant, without oversaturating (which compromises energy efficiency)
- Exceptional color quality without the loss of efficacy typical of most 90+ CRI solutions
- Up to 114 LPW
- 2700K color temperature
- CRI 90+ for exceptional color quality

Electrical

- 120VAC
- Power factor >0.90
- Dimmable down to 10%

Rated Life

- 15,000 hours (L₇₀)

Warranty

- 5 year limited lamp warranty (3 hours per day operation)

Ambient Operating Range

- -4°F to 113°F (-20°C to 45°C)



Wattage Comparison

Traditional Source	Traditional System Wattage	LED System Wattage	Energy Savings
Incandescent	40	5	\$58
Incandescent	60	7	\$87

Certifications and Listings

- cULus
- RoHS
- Lead Free
- FCC*
- ENERGY STAR®**
- California Title 20

*FCC Title 47 CFR, Part 15 Subpart B Class B
**40W equivalent only



LED542 7-20



Distributed by:



Locations in:
Farmingdale, NY
Burbank, CA
Las Vegas, NV
Miami, FL

CALL US
1-800-624-2852

— OR —

EMAIL US AT
btg@bulbtronics.com

Specification Data

Catalog #	Type
Project	
Comments	
Prepared by	

Ordering Guide

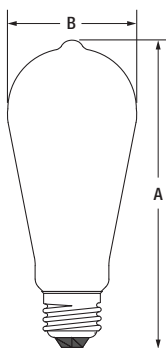
LED	X	ST19	DIM	9	27	CL	13Y	TL	RP
LED	Wattage 5 = 5 Watts 7 = 7 Watts	Lamp Type ST19	DIM = Dimmable	CRI 9 = 90	Color Temperature 27 = 2700K	Bulb Finish CL = Clear	Lamp Life 13Y = 13 Year Life	TL = Natural with TruWave Technology™	RP = Retail Pack

Ordering Information

Item Number	Ordering Abbreviation	Power (W)	Base Type	Input Voltage	Average Life (hrs)	Typical Lumens (lm)	CCT	CRI	LPW	CEC
40771	LED5ST19DIM927CL13YTLRP 6/CS 1/SKU	5	E26	120V	15,000	425	2700K	90+	85	Yes
40772	LED7ST19DIM927CL13YTLRP 6/CS 1/SKU	7	E26	120V	15,000	800	2700K	90+	114	Yes

Physical Information

	(A) Height inches (mm)	(B) Diameter inches (mm)
ST19	5.43 (138)	2.28 (58)



Distributed by:



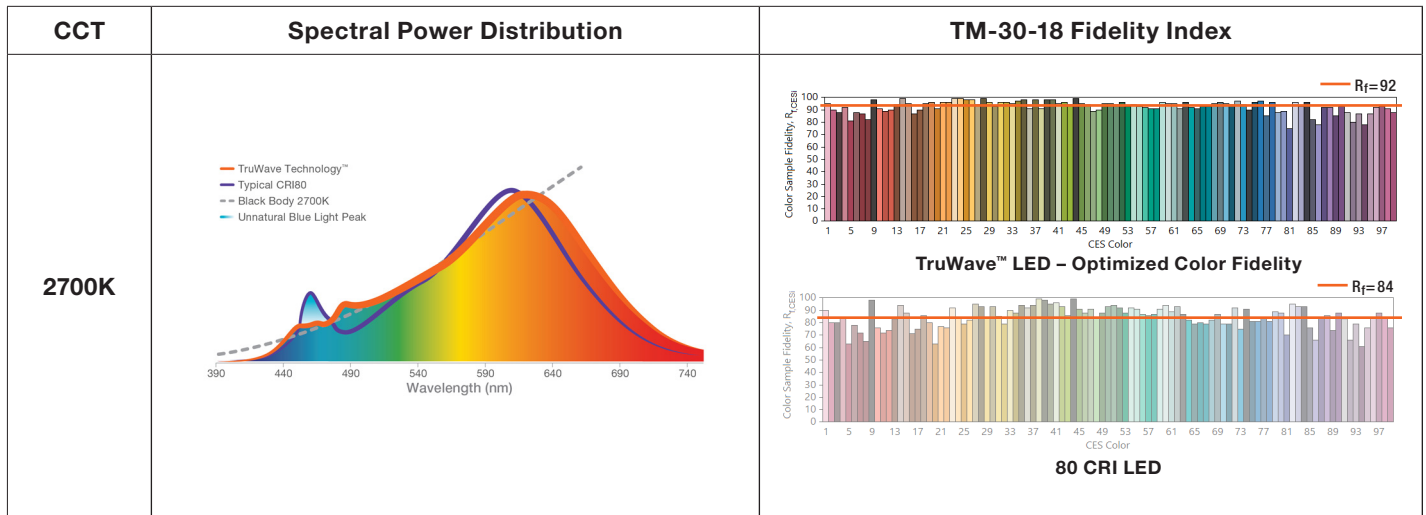
Locations in:
Farmingdale, NY
Burbank, CA
Las Vegas, NV
Miami, FL

CALL US
1-800-624-2852

—OR—

EMAIL US AT
btg@bulbtronics.com

Color Quality Comparison



LEDVANCE LLC
 200 Ballardvale Street
 Wilmington, MA 01887 USA
 Phone 1-800-LIGHTBULB (1-800-544-4828)
www.sylvania.com

SYLVANIA and LEDVANCE are registered trademarks.
 All other trademarks are those of their respective owners.
 Licensee of product trademark SYLVANIA in general lighting.
 Specifications subject to change without notice.

/sylvania /sylvania



© 2020 LEDVANCE LLC

Distributed by:



Locations in:
 Farmingdale, NY
 Burbank, CA
 Las Vegas, NV
 Miami, FL

CALL US
 1-800-624-2852

—OR—

EMAIL US AT
btg@bulbtronics.com