



### Main

Range of product	Altivar 32
Product or component type	Variable speed drive
Product destination	Asynchronous motors Synchronous motors
Product specific application	Complex machines
Function available	-
Assembly style	With heat sink
Component name	ATV32
EMC filter	Class C2 EMC filter integrated
Network number of phases	3 phases
[Us] rated supply voltage	380...500 V - 15...10 %
Supply voltage limits	323...550 V
Supply frequency	50...60 Hz - 5...5 %
Network frequency	47.5...63 Hz
Motor power kW	4 kW 380...480 V
Motor power hp	5 hp 380...480 V

### Complementary

Line current	10.5 A 500 V 3 phases 4 kW 5 hp 13.7 A 380 V 3 phases 4 kW 5 hp
Apparent power	9.1 kVA 500 V 3 phases 4 kW 5 hp
Prospective line I <sub>sc</sub>	<= 5 kA 3 phases
Nominal output current	9.5 A 4 kHz 500 V 4 kW 5 hp
Maximum transient current	14.3 A 60 s 4 kW 5 hp
Output frequency	0.0005...0.599 kHz
Nominal switching frequency	4 kHz
Switching frequency	2...16 kHz adjustable
Speed range	1...100 asynchronous motor in open-loop mode

Speed accuracy	+/- 10 % of nominal slip 0.2 Tn to Tn
Torque accuracy	+/- 15 %
Transient overtorque	170...200 %
Braking torque	<= 170 % with braking resistor
Asynchronous motor control profile	Voltage/Frequency ratio, 2 points Voltage/Frequency ratio, 5 points Flux vector control without sensor - Energy Saving, NoLoad law Flux vector control without sensor, standard Voltage/Frequency ratio - Energy Saving, quadratic U/f
Synchronous motor control profile	Vector control without sensor
Regulation loop	Adjustable PID regulator
Motor slip compensation	Automatic whatever the load Not available in voltage/frequency ratio (2 or 5 points) Adjustable 0...300 %
Local signalling	1 LED green CANopen run 1 LED red CANopen error 1 LED red drive fault 1 LED red drive voltage
Output voltage	<= power supply voltage
Noise level	45 dB 86/188/EEC
Insulation	Electrical between power and control
Electrical connection	Screw terminal 0.5...1.5 mm <sup>2</sup> AWG 18...AWG 14 control Removable screw terminals 1.5...2.5 mm <sup>2</sup> AWG 14...AWG 12 motor/braking resistor Screw terminal 2.5...4 mm <sup>2</sup> AWG 12...AWG 10 power supply
Tightening torque	0.5 N.m 4.4 lb/ft control 0.7 N.m 7.1 lb/ft motor/braking resistor 0.6 N.m 5.3 lb/ft power supply
Supply	Internal supply for reference potentiometer (1 to 10 kOhm) 10.5 V DC +/- 5 % <= 10 mA overload and short-circuit protection
Analogue input number	3
Analogue input type	Voltage AI1 0...10 V DC 30000 Ohm 10 bits Bipolar differential voltage AI2 +/- 10 V DC 30000 Ohm 10 bits Current AI3 0...20 mA (or 4-20 mA, x-20 mA, 20-x mA or other patterns by configuration) 250 Ohm 10 bits
Sampling duration	2 ms AI1, AI2, AI3 analog 2 ms AO1 analog
Response time	8 ms +/- 0.7 ms LI1...LI6 logic 2 ms R1A, R1B, R1C relay 2 ms R2A, R2C relay
Accuracy	+/- 0.2 % AI1, AI2, AI3 for a temperature of -10...60 °C +/- 0.5 % AI1, AI2, AI3 for a temperature of 25 °C +/- 1 % AO1 for a temperature of 25 °C +/- 2 % AO1 for a temperature of -10...60 °C
Linearity error	+/- 0.2...0.5 % of maximum value AI1, AI2, AI3 +/- 0.3 % AO1
Analogue output number	1
Analogue output type	Software-configurable current AO1 0...20 mA 800 Ohm 10 bits Software-configurable voltage AO1 0...10 V 470 Ohm 10 bits
Discrete output number	3
Discrete output type	Configurable relay logic R1A, R1B, R1C NO/NC 100000 cycles Configurable relay logic R2A, R2B NO 100000 cycles Logic LO
Minimum switching current	5 mA 24 V DC configurable relay logic
Maximum switching current	3 A 250 V AC resistive (cos phi = 1 R1 4 A 30 V DC resistive (cos phi = 1 R1 2 A 250 V AC inductive (cos phi = 0.4 R1, R2 2 A 30 V DC inductive (cos phi = 0.4 R1, R2 5 A 250 V AC resistive (cos phi = 1 R2 5 A 30 V DC resistive (cos phi = 1 R2
Discrete input number	7
Discrete input type	Programmable (sink/source) LI1...LI4 24...30 V DC level 1 PLC Programmable as pulse input 20 kpps LI5 24...30 V DC level 1 PLC Switch-configurable PTC probe LI6 24...30 V DC

	Safe torque off STO 24...30 V DC 1500 Ohm
Discrete input logic	Negative logic (sink) LI1...LI6 > 19 V < 13 V Positive logic (source) LI1...LI6 < 5 V > 11 V
Acceleration and deceleration ramps	S U CUS Deceleration ramp automatic stop DC injection Deceleration ramp adaptation Linear Ramp switching
Braking to standstill	By DC injection
Protection type	Input phase breaks drive Overcurrent between output phases and earth drive Overheating protection drive Short-circuit between motor phases drive Thermal protection drive
Communication port protocol	CANopen Modbus
Connector type	1 RJ45 Modbus/CANopen on front face
Physical interface	2-wire RS 485 Modbus
Transmission frame	RTU Modbus
Type of polarization	No impedance Modbus
Number of addresses	1...247 Modbus 1...127 CANopen
Method of access	Slave CANopen
Electromagnetic compatibility	Conducted radio-frequency immunity test level 3 IEC 61000-4-6 Voltage dips and interruptions immunity test IEC 61000-4-11 1.2/50 µs - 8/20 µs surge immunity test level 3 IEC 61000-4-5 Electrical fast transient/burst immunity test level 4 IEC 61000-4-4 Electrostatic discharge immunity test level 3 IEC 61000-4-2 Radiated radio-frequency electromagnetic field immunity test level 3 IEC 61000-4-3
Width	60 mm
Height	325 mm
Depth	245 mm
Product weight	3 kg
Option card	Communication card CANopen daisy chain Communication card CANopen open style Communication card DeviceNet Communication card Ethernet/IP Communication card Profibus DP V1
Functionality	Mid
Specific application	Other applications

## Environment

Standards	EN 55011 class A group 1 EN 61800-3 environments 1 category C2 EN 61800-3 environments 2 category C2 EN/IEC 61800-3 EN/IEC 61800-5-1
Product certifications	CSA C-Tick GOST NOM 117 UL
Marking	CE
Pollution degree	2 EN/IEC 61800-5-1
IP degree of protection	IP20 EN/IEC 61800-5-1
Vibration resistance	1 gn 13...200 Hz EN/IEC 60068-2-6 1.5 mm peak to peak 3...13 Hz EN/IEC 60068-2-6
Shock resistance	15 gn 11 ms EN/IEC 60068-2-27
Relative humidity	5...95 % without condensation IEC 60068-2-3 5...95 % without dripping water IEC 60068-2-3

Ambient air temperature for operation	-10...50 °C without derating 50...60 °C with derating factor
Ambient air temperature for storage	-25...70 °C
Operating altitude	<= 1000 m without derating 1000...3000 m with current derating 1 % per 100 m
Operating position	Vertical +/- 10 degree

### Offer Sustainability

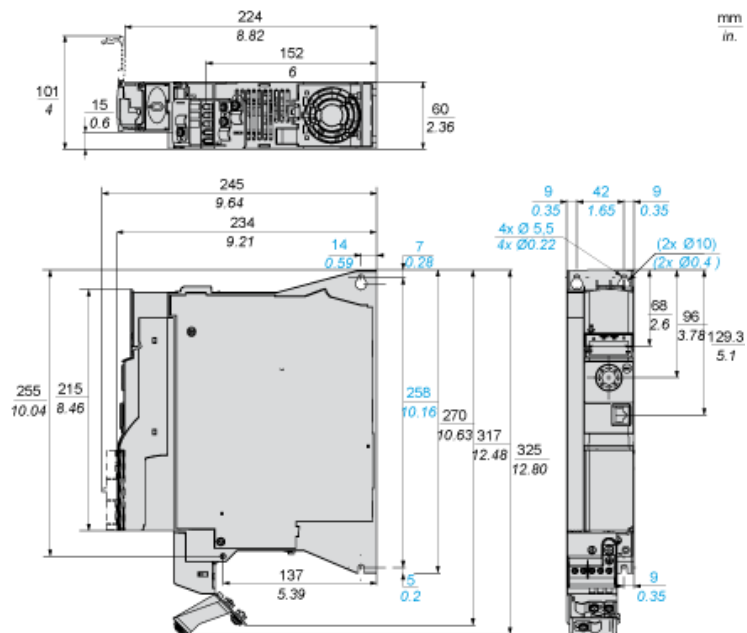
Sustainable offer status	Green Premium product
RoHS (date code: YYWW)	Compliant - since 1007 - Schneider Electric declaration of conformity <a href="#">Schneider Electric declaration of conformity</a>
REACH	Reference not containing SVHC above the threshold <a href="#">Reference not containing SVHC above the threshold</a>
Product environmental profile	Available <a href="#">Product environmental</a>
Product end of life instructions	Available <a href="#">End of life manual</a>

### Contractual warranty

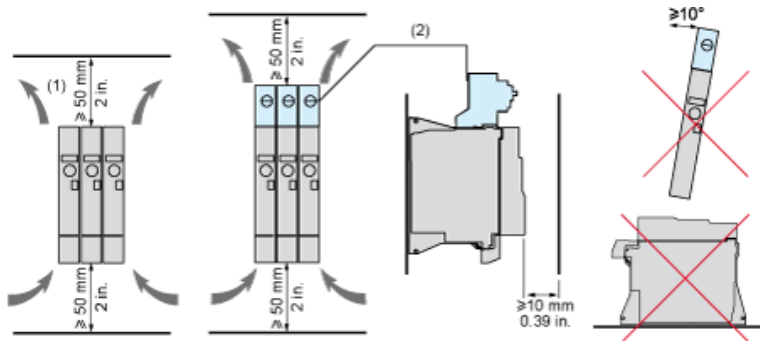
Warranty period	18 months
-----------------	-----------

Size B

Dimensions



Mounting and Clearance



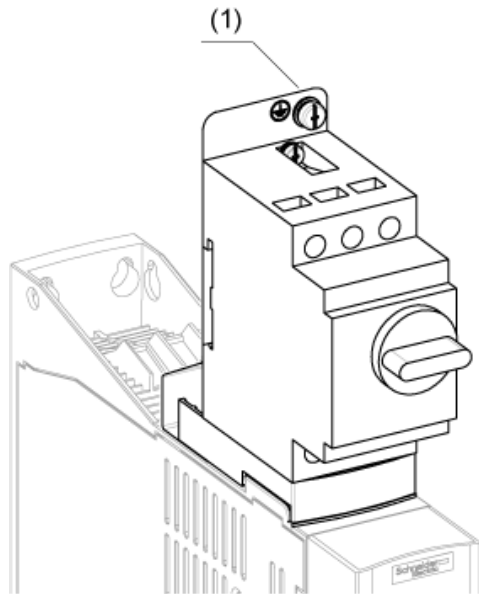
- (1) Minimum value corresponding to thermal constraints. A 150 mm clearance may help to connect the ground.
- (2) Optional GV2 circuit-breaker

## Option: Protection Device, GV2 circuit-breaker

The drive is prepared to be equipped with an optional GV2 circuit-breaker.

The GV2 circuit-breaker is directly mounted on the drive. Mechanical and electrical link are made using the optional adapter. The options are supplied with detailed mounting instruction sheet.

NOTE: The product overall dimension, including GV2 adapter and EMC plate mounted, becomes 424 mm (16.7 in.)

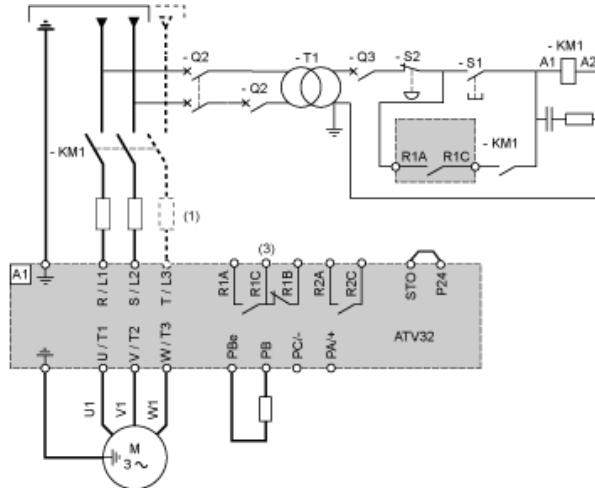


(1) Ground screw (HS type 2 - 5x12)

## Connection Diagrams

### Single or Three-phase Power Supply - Diagram with Line Contactor

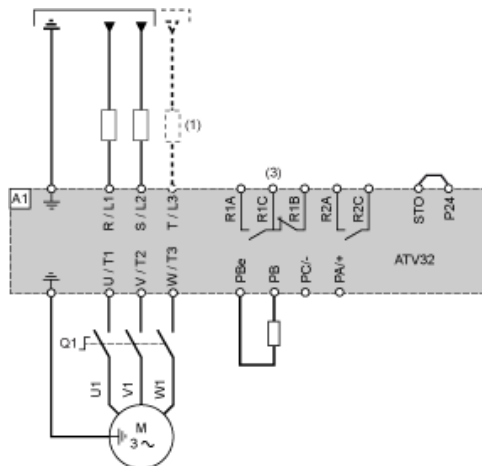
Connection diagrams conforming to standards EN 954-1 category 1 and IEC/EN 61508 capacity SIL1, stopping category 0 in accordance with standard IEC/EN 60204-1.



- (1) Line choke (if used)
- (3) Fault relay contacts, for remote signaling of drive status

### Single or Three-phase Power Supply - Diagram with Switch Disconnect

Connection diagrams conforming to standards EN 954-1 category 1 and IEC/EN 61508 capacity SIL1, stopping category 0 in accordance with standard IEC/EN 60204-1.



- (1) Line choke (if used)
- (3) Fault relay contacts, for remote signaling of drive status

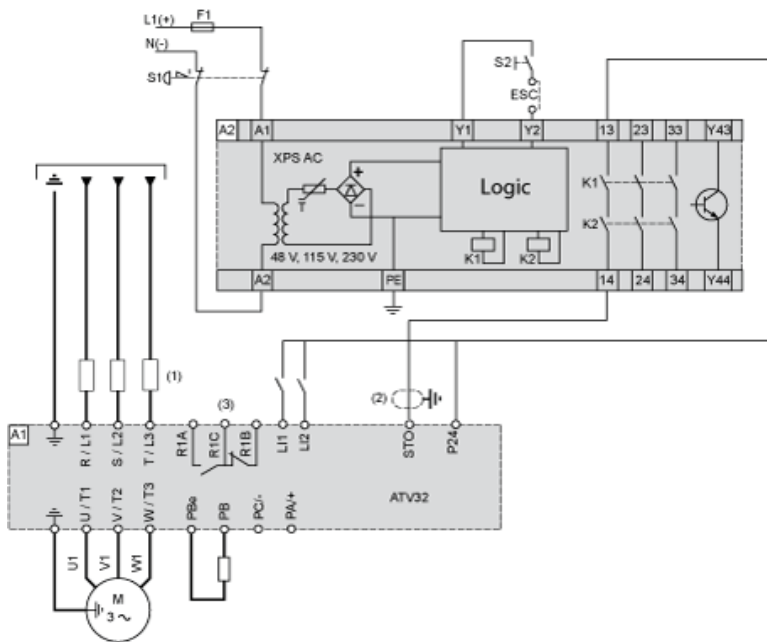
### Diagram with Preventa Safety Module (Safe Torque Off Function)

Connection diagrams conforming to standards EN 954-1 category 3 and IEC/EN 61508 capacity SIL2, stopping category 0 in accordance with standard IEC/EN 60204-1.

When the emergency stop is activated, the drive power supply is cut immediately and the motor stops in freewheel, according to category 0 of standard IEC/EN 60204-1.

A contact on the Preventa XPS AC module must be inserted in the brake control circuit to engage it safely when the STO (Safe Torque Off) safety function is activated.





- (1) Line choke (if used)
- (2) It is essential to connect the shielding to the ground.
- (3) Fault relay contacts, for remote signaling of drive status

The STO safety function integrated into the product can be used to implement an "EMERGENCY STOP" (IEC 60204-1) for category 0 stops. With an additional, approved EMERGENCY STOP module, it is also possible to implement category 1 stops.

#### STO function

The STO safety function is triggered via 2 redundant inputs. The circuits of the two inputs must be separate so that there are always two channels. The switching process must be simultaneous for both inputs (offset < 1 s).

The power stage is disabled and an error message is generated. The motor can no longer generate torque and coasts down without braking. A restart is possible after resetting the error message with a "Fault Reset".

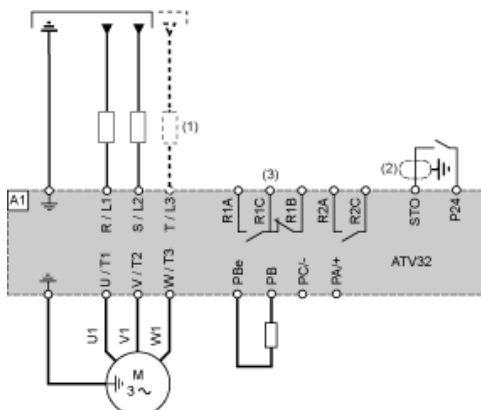
The power stage is disabled and an error message is generated if only one of the two inputs is switched off or if the time offset is too great. This error message can only be reset by switching off the product.

### Diagram without Preventa Safety Module

Connection diagrams conforming to standards EN 954-1 category 2 and IEC/EN 61508 capacity SIL1, stopping category 0 in accordance with standard IEC/EN 60204-1.

The connection diagram below is suitable for use with machines with a short freewheel stop time (machines with low inertia or high resistive torque).

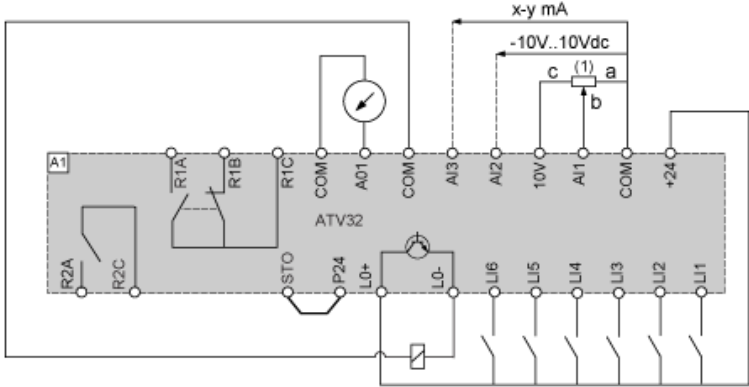
When the emergency stop is activated, the drive power supply is cut immediately and the motor stops in freewheel, according to category 0 of standard IEC/EN 60204-1.



- (1) Line choke (if used)
- (2) It is essential to connect the shielding to the ground.
- (3) Fault relay contacts, for remote signaling of drive status

The STO safety function integrated into the product can be used to implement an "EMERGENCY STOP" (IEC 60204-1) for category 0 stops.

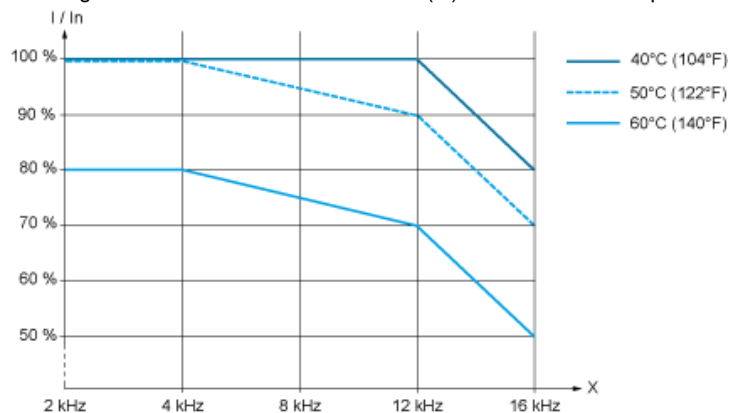
Control Connection Diagram in Source Mode



(1) Reference potentiometer SZ1RV1202 (2.2 kΩ) or similar (10 kΩ maximum)

Derating Curves

Derating curve for the nominal drive current ( $I_n$ ) as a function of temperature and switching frequency.



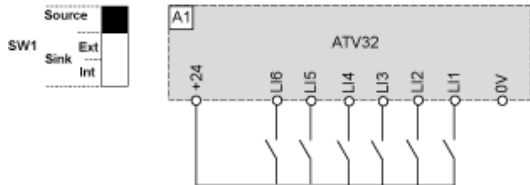
X Switching frequency

Above 4 kHz, the drive will reduce the switching frequency automatically in the event of an excessive temperature rise.

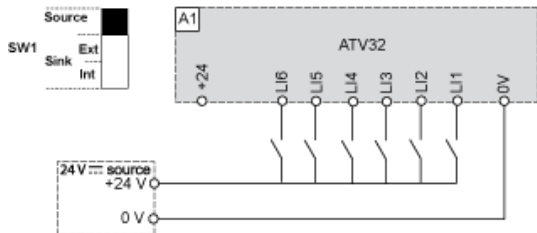
Sink / Source Switch Configuration (SW1)

The logic input switch (SW1) is used to adapt the operation of the logic inputs to the technology of the programmable controller outputs.

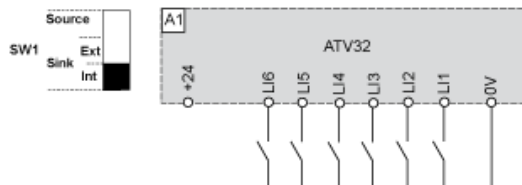
Switch SW1 set to "Source" position



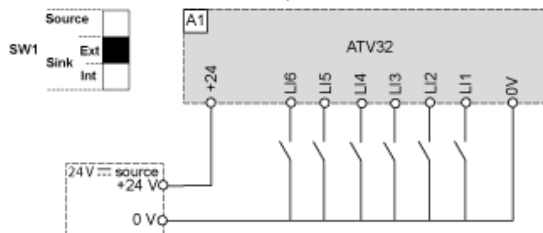
Switch SW1 set to "Source" position and use of an external power supply for the LIs



Switch SW1 set to "Sink Int" position



Switch SW1 set to "Sink Ext" position



# Altivar 32

## Variable Speed Drives

### Safety Functions Manual

04/2015



---

The information provided in this documentation contains general descriptions and/or technical characteristics of the performance of the products contained herein. This documentation is not intended as a substitute for and is not to be used for determining suitability or reliability of these products for specific user applications. It is the duty of any such user or integrator to perform the appropriate and complete risk analysis, evaluation and testing of the products with respect to the relevant specific application or use thereof. Neither Schneider Electric nor any of its affiliates or subsidiaries shall be responsible or liable for misuse of the information contained herein. If you have any suggestions for improvements or amendments or have found errors in this publication, please notify us.

No part of this document may be reproduced in any form or by any means, electronic or mechanical, including photocopying, without express written permission of Schneider Electric.

All pertinent state, regional, and local safety regulations must be observed when installing and using this product. For reasons of safety and to help ensure compliance with documented system data, only the manufacturer should perform repairs to components.

When devices are used for applications with technical safety requirements, the relevant instructions must be followed.

Failure to use Schneider Electric software or approved software with our hardware products may result in injury, harm, or improper operating results.

Failure to observe this information can result in injury or equipment damage.

© 2015 Schneider Electric. All rights reserved.

---

# Table of Contents

---



	<b>Safety Information</b> .....	<b>5</b>
	<b>About the Book</b> .....	<b>7</b>
<b>Chapter 1</b>	<b>Generalities</b> .....	<b>11</b>
	Introduction .....	<b>12</b>
	Standards and Terminology .....	<b>13</b>
	Basics .....	<b>14</b>
<b>Chapter 2</b>	<b>Description</b> .....	<b>17</b>
	Safety Function STO (Safe Torque Off) .....	<b>18</b>
	Safety Function SS1 (Safe Stop 1) .....	<b>20</b>
	Safety Function SLS (Safely-Limited Speed) .....	<b>22</b>
	Safety Function SMS (Safe Maximum Speed) .....	<b>29</b>
	Safety Function GDL (Guard Door Locking) .....	<b>31</b>
<b>Chapter 3</b>	<b>Calculation of Safety Related Parameters</b> .....	<b>33</b>
	SLS Type 1 .....	<b>34</b>
	SLS Type 2, Type 3, Type 4, Type 5, and Type 6 .....	<b>36</b>
	SS1 .....	<b>40</b>
	SMS .....	<b>42</b>
	GDL .....	<b>43</b>
<b>Chapter 4</b>	<b>Behavior of Safety Functions</b> .....	<b>45</b>
	Limitations .....	<b>46</b>
	Detected Fault Inhibition .....	<b>47</b>
	Priority Between Safety Functions .....	<b>48</b>
	Factory Settings .....	<b>49</b>
	Configuration Download .....	<b>50</b>
	Priority Between Safety Functions and No Safety-Related Functions .....	<b>51</b>
<b>Chapter 5</b>	<b>Safety Functions Visualization by HMI</b> .....	<b>55</b>
	Status of Safety Functions .....	<b>56</b>
	Dedicated HMI .....	<b>57</b>
	Error Code Description .....	<b>58</b>
<b>Chapter 6</b>	<b>Technical Data</b> .....	<b>67</b>
	Electrical Data .....	<b>68</b>
	Getting and Operating the Safety Function .....	<b>69</b>
	Safety Function Capability .....	<b>70</b>
	Debounce Time and Response Time .....	<b>73</b>
<b>Chapter 7</b>	<b>Certified Architectures</b> .....	<b>75</b>
	Introduction .....	<b>76</b>
	Multi-drive with the Safety Module Type Preventa XPS AF - Case 1 .....	<b>77</b>
	Multi-drive with the Safety Module Type Preventa XPS AF - Case 2 .....	<b>78</b>
	Multi-drive Without the Safety Module .....	<b>79</b>
	Single Drive with the Safety Module Type Preventa XPS AV - Case 1 .....	<b>80</b>
	Single Drive with the Safety Module Type Preventa XPS AV - Case 2 .....	<b>81</b>
	Single Drive with the Safety Module Type Preventa XPS AF - Case 1 .....	<b>82</b>
	Single Drive with the Safety Module Type Preventa XPS AF - Case 2 .....	<b>83</b>
	Single Drive According to IEC 61508 and IEC 60204-1 - Case 1 .....	<b>84</b>
	Single Drive According to IEC 61508 and IEC 60204-1 - Case 2 .....	<b>85</b>
	Single Drive According to IEC 61508 and IEC 62061 with Safety Function GDL .....	<b>86</b>

---

<b>Chapter 8 Commissioning</b> .....	<b>87</b>
Safety Functions Tab .....	<b>88</b>
Configure Safety Functions Panel .....	<b>89</b>
Visualization and Status of Safety Functions .....	<b>94</b>
Copying Safety Related Configuration from Device to PC and from PC to Device .....	<b>95</b>
Machine Signature .....	<b>98</b>
<b>Chapter 9 Services and Maintenance</b> .....	<b>101</b>
Maintenance .....	<b>102</b>
Power and MCU Replacement .....	<b>103</b>
Changing Machine Equipment .....	<b>104</b>





## Important Information

### NOTICE

Read these instructions carefully, and look at the equipment to become familiar with the device before trying to install, operate, or maintain it. The following special messages may appear throughout this documentation or on the equipment to warn of potential hazards or to call attention to information that clarifies or simplifies a procedure.



The addition of this symbol to a “Danger” or “Warning” safety label indicates that an electrical hazard exists which will result in personal injury if the instructions are not followed.



This is the safety alert symbol. It is used to alert you to potential personal injury hazards. Obey all safety messages that follow this symbol to avoid possible injury or death.

### **DANGER**

**DANGER** indicates a hazardous situation which, if not avoided, **will result in death or serious injury**.

### **WARNING**

**WARNING** indicates a hazardous situation which, if not avoided, **could result in death or serious injury**.

### **CAUTION**

**CAUTION** indicates a hazardous situation which, if not avoided, **could result in minor or moderate injury**.

### **NOTICE**

**NOTICE** is used to address practices not related to physical injury.

### PLEASE NOTE

Electrical equipment should be installed, operated, serviced, and maintained only by qualified personnel. No responsibility is assumed by Schneider Electric for any consequences arising out of the use of this material.

A qualified person is one who has skills and knowledge related to the construction and operation of electrical equipment and its installation, and has received safety training to recognize and avoid the hazards involved.



---

# About the Book

---



## At a Glance

### Document Scope

The purpose of this document is to provide information about safety functions incorporated in Altivar 32. These functions allow you to develop applications oriented in the protection of man and machine.

FDT/DTM (field device tool / device type manager) is a new technology chosen by several companies in automation.

To install the Altivar 32 DTM, you can download and install our FDT: SoMove lite on [www.schneider-electric.com](http://www.schneider-electric.com). It is including the Altivar 32 DTM.

The content of this manual is also accessible through the ATV32 DTM online help.

### Validity Note

The original user manual is written in English language.

This documentation is valid for the Altivar 32 drive.

The technical characteristics of the devices described in this document also appear online. To access this information online:

Step	Action
1	Go to the Schneider Electric home page <a href="http://www.schneider-electric.com">www.schneider-electric.com</a> .
2	In the <b>Search</b> box type the reference of a product or the name of a product range. <ul style="list-style-type: none"><li>● Do not include blank spaces in the model number/product range.</li><li>● To get information on grouping similar modules, use asterisks (*).</li></ul>
3	If you entered a reference, go to the <b>Product Datasheets</b> search results and click on the reference that interests you. If you entered the name of a product range, go to the <b>Product Ranges</b> search results and click on the product range that interests you.
4	If more than one reference appears in the <b>Products</b> search results, click on the reference that interests you.
5	Depending on the size of your screen, you may need to scroll down to see the data sheet.
6	To save or print a data sheet as a .pdf file, click <b>Download XXX product datasheet</b> .

The characteristics that are presented in this manual should be the same as those characteristics that appear online. In line with our policy of constant improvement, we may revise content over time to improve clarity and accuracy. If you see a difference between the manual and online information, use the online information as your reference.

## Related Documents

Title of Documentation	Reference Number
ATV32 Quick Start Guide	S1A41715
ATV32 Quick Start Annex	S1B39941
ATV32 Installation Manual	S1A28686
ATV32 Programming Manual	S1A28692
ATV32 Atex Manual	S1A45605
ATV32 Safety Integrated Functions Manual	S1A45606
ATV32 Modbus Manual	S1A28698
ATV32 CANopen Manual	S1A28699
ATV32 PROFIBUS DP Manual	S1A28700
ATV32 Modbus TCP - EtherNet/IP Manual	S1A28701
ATV32 DeviceNet Manual	S1A28702
ATV32 EtherCAT Manual	S1A28703
ATV32 PROFINET Manual	HRB25668
ATV32 Communication Parameters Manual	S1A44568
BMP Synchronous Motor Manual	0198441113981
ATV32 Certificates, See <a href="http://www.schneider-electric.com">www.schneider-electric.com</a>	NA

You can download these technical publications and other technical information from our website at [www.schneider-electric.com](http://www.schneider-electric.com).

## Product Related Information

**The information provided in this manual supplements the product manuals.**

**Carefully read the product manuals before using the product.**

**Read and understand these instructions before performing any procedure with this drive.**

### **DANGER**

#### **HAZARD OF ELECTRIC SHOCK, EXPLOSION, OR ARC FLASH**

- Only appropriately trained persons who are familiar with and understand the contents of this manual and all other pertinent product documentation and who have received safety training to recognize and avoid hazards involved are authorized to work on and with this drive system. Installation, adjustment, repair, and maintenance must be performed by qualified personnel.
- The system integrator is responsible for compliance with all local and national electrical code requirements as well as all other applicable regulations with respect to grounding of all equipment.
- Many components of the product, including the printed circuit boards, operate with mains voltage. Do not touch. Use only electrically insulated tools.
- Do not touch unshielded components or terminals with voltage present.
- Motors can generate voltage when the shaft is rotated. Before performing any type of work on the drive system, block the motor shaft to prevent rotation.
- AC voltage can couple voltage to unused conductors in the motor cable. Insulate both ends of unused conductors of the motor cable.
- Do not short across the DC bus terminals or the DC bus capacitors or the braking resistor terminals.
- Before performing work on the drive system:
  - Disconnect all power, including external control power that may be present.
  - Place a "Do Not Turn On" label on all power switches.
  - Lock all power switches in the open position.
  - Wait 15minutes to allow the DC bus capacitors to discharge. The DC bus LED is not an indicator of the absence of DC bus voltage that can exceed 800 Vdc.
  - Measure the voltage on the DC bus between the DC bus terminals using a properly rated voltmeter to verify that the voltage is < 42Vdc.
  - If the DC bus capacitors do not discharge properly, contact your local Schneider Electric representative.
- Install and close all covers before applying voltage.

**Failure to follow these instructions will result in death or serious injury.**

## DANGER

### UNINTENDED EQUIPMENT OPERATION

- Read and understand this manual before installing or operating the drive.
- Any changes made to the parameter settings must be performed by qualified personnel.

**Failure to follow these instructions will result in death or serious injury.**

## WARNING

### DAMAGED DRIVE EQUIPMENT

Do not operate or install any drive or drive accessory that appears damaged.

**Failure to follow these instructions can result in death, serious injury, or equipment damage.**

## WARNING

### LOSS OF CONTROL

- The designer of any control scheme must consider the potential failure modes of control paths and, for critical control functions, provide a means to achieve a safe state during and after a path failure. Examples of critical control functions are emergency stop, overtravel stop, power outage, and restart.
- Separate or redundant control paths must be provided for critical control functions. System control paths may include communication links. Consideration must be given to the implications of unanticipated transmission delays or failures of the link.
- System control paths may include communication links. Consideration must be given to the implications of unanticipated transmission delays or failures of the link.
- Observe all accident prevention regulations and local safety guidelines.(1)
- Each implementation of the product must be individually and thoroughly tested for proper operation before being placed into service.

**Failure to follow these instructions can result in death, serious injury, or equipment damage.**

1. For USA: Additional information, refer to NEMA ICS 1.1 (latest edition), "Safety guidelines for the application, installation, and maintenance of solid-State control" and to NEMA ICS 7.1 (latest edition), "Safety standards for construction and guide for selection, installation, and operation of adjustable speed drive systems."

## CAUTION

### INCOMPATIBLE LINE VOLTAGE

Before turning on and configuring the drive, ensure that the line voltage is compatible with the supply voltage range shown on the drive nameplate. The drive may be damaged if the line voltage is not compatible.

**Failure to follow these instructions can result in injury or equipment damage.**

## NOTICE

### RISK OF DERATED PERFORMANCE DUE TO CAPACITOR AGING

The product capacitor performances after a long time storage above 2 years can be degraded. In that case, before using the product, apply the following procedure:

- Use a variable AC supply connected between L1 and L2 (even for ATV[gs70][gs70][gs70][gs70][gs70]N4 references).
- Increase AC supply voltage to have:
  - 80% of rated voltage during 30 min
  - 100% of rated voltage for another 30 min

**Failure to follow these instructions can result in equipment damage.**

---

### **Qualification of personnel**

Only appropriately trained persons who are familiar with and understand the contents of this manual and all other pertinent product documentation are authorized to work on and with this product. In addition, these persons must have received safety training to recognize and avoid hazards involved. These persons must have sufficient technical training, knowledge and experience and be able to foresee and detect potential hazards that may be caused by using the product, by changing the settings and by the mechanical, electrical and electronic equipment of the entire system in which the product is used.

All persons working on and with the product must be fully familiar with all applicable standards, directives, and accident prevention regulations when performing such work.

### **Intended use**

The functions described in this manual are only intended for use with the basic product; you must read and understand the appropriate product manual. The product may only be used in compliance with all applicable safety regulations and directives, the specified requirements and the technical data. Prior to using the product, you must perform a risk assessment in view of the planned application. Based on the results, the appropriate safety measures must be implemented. Since the product is used as a component in an entire system, you must ensure the safety of persons by means of the design of this entire system (for example, machine design).

Operate the product only with the specified cables and accessories. Use only genuine accessories and spare parts. Any use other than the use explicitly permitted is prohibited and can result in hazards. Electrical equipment should be installed, operated, serviced, and maintained only by qualified personnel. The product must NEVER be operated in explosive atmospheres (hazardous locations, Ex areas).

---

# Chapter 1

## Generalities

---

### What Is in This Chapter?

This chapter contains the following topics:

Topic	Page
Introduction	12
Standards and Terminology	13
Basics	14

## Introduction

### Overview

The safety functions incorporated in Altivar 32 are intended to maintain the safe condition of the installation or prevent hazardous conditions arising at the installation. In some cases, further safety-related systems external to the drive (for example a mechanical brake) may be necessary to maintain the safe condition when electrical power is removed.

The safety functions are configured with SoMove software.

Integrated safety functions provide the following benefits:

- Additional standards-compliant safety functions
- No need for external safety-related devices
- Reduced wiring effort and space requirements
- Reduced costs

The Altivar 32 drives are compliant with the requirements of the standards in terms of implementation of safety functions.

### Safety Functions as Defined by IEC 61800-5-2

Definitions

Acronym	Description
<b>STO</b>	<b>Safe Torque Off</b> No power that could cause torque or force is supplied to the motor.
<b>SLS</b>	<b>Safely-Limited Speed</b> The SLS function prevents the motor from exceeding the specified speed limit. If the motor speed exceeds the specified speed limit value, safety function STO is triggered.
<b>SS1</b>	<b>Safe Stop 1</b> <ul style="list-style-type: none"><li>• initiates and monitors the motor deceleration rate within set limits to stop the motor</li><li>• initiates the Safe Operating Stop function when the motor speed is below the specified limit</li></ul>

## DANGER

### ELECTRIC SHOCK CAUSED BY INCORRECT USE

The safety function **STO** ([Safe Torque Off]) does not cause electric isolation. The DC bus voltage is still present.

- Turn off the main voltage using an appropriate switch to achieve a voltage-free condition.

**Failure to follow these instructions will result in death or serious injury.**

### Safety Function Not Defined in IEC 61800-5-2

Definitions

Acronym	Description
<b>SMS</b>	<b>Safe Maximum Speed</b> The SMS function prevents the speed of the motor from exceeding the specified speed limit. If the motor speed exceeds the specified speed limit value, safety function STO is triggered. The SMS can only be activated or deactivated with the commissioning software. When activated, the stator frequency is constantly monitored irrespective of the mode of operation.
<b>GDL</b>	<b>Guard Door Locking</b> The GDL function allows you to release the guard door lock when the motor power is turned off.

### Notation

The graphic display terminal (to be ordered separately - reference VW3A1101) menus are shown in square brackets.

The integrated 7-segment display terminal menus are shown in round brackets.

Parameter names are displayed on the graphic display terminal in square brackets.

Parameter codes are displayed on the integrated 7-segment display terminal in round brackets.



---

## Standards and Terminology

### Overview

The technical terms, terminology, and the corresponding descriptions in this manual normally use the terms or definitions in the relevant standards.

In the area of drive systems this includes, but is not limited to, terms such as **safety function**, **safe state**, **fault**, **fault reset**, **failure**, **error**, **error message**, **warning**, **warning message**, and so on.

Among others, these standards include:

- IEC 61800 series: Adjustable speed electrical power drive systems
- IEC 61508 Ed.2 series: Functional safety of electrical/electronic/programmable electronic safety-related systems
- EN 954-1 Safety of machinery - Safety related parts of control systems
- EN ISO 13849-1 & 2 Safety of machinery - Safety related parts of control systems
- IEC 61158 series: Industrial communication networks - Fieldbus specifications
- IEC 61784 series: Industrial communication networks - Profiles
- IEC 60204-1: Safety of machinery - Electrical equipment of machines – Part 1: General requirements

### EC Declaration of Conformity

The EC Declaration of Conformity for the EMC Directive can be obtained on [www.schneider-electric.com](http://www.schneider-electric.com).

### ATEX Certification

The ATEX certificate can be obtained on [www.schneider-electric.com](http://www.schneider-electric.com).

### Functional Safety Certification

The integrated safety functions are compatible and certified according to IEC 61800-5-2 Ed.1 Adjustable speed electrical power drive systems - Part 5-2: Safety requirements - Functional.

IEC 61800-5-2, as a product standard, sets out safety-related considerations of Power Drive System Safety Related PDS (SR)s in terms of the framework of the IEC 61508 Ed.2 series of standards.

Compliance with the IEC 61800-5-2 standard, for the safety functions described below, will facilitate incorporation of a PDS (SR) (Power Drive System suitable for use in safety-related applications) into a safety-related control system using the principles of IEC 61508, or ISO 13849, as well as IEC 62061 for process systems and machinery.

The defined safety functions are:

- SIL2 and SIL3 capability in compliance with IEC 61800-5-2 and the IEC 61508 Ed.2 series.
- Performance Level d and e in compliance with ISO 13849-1.
- Compliant with Category 3 and 4 of European standard ISO 13849-1 (EN 954-1).

Also refer to safety function Capability.

The safety demand operating mode is considered to be high demand or continuous mode of operation according to the IEC 61800-5-2 standard.

The functional safety certificate is accessible on [www.schneider-electric.com](http://www.schneider-electric.com).

---

## Basics

### Functional Safety

Automation and safety engineering are two areas that were completely separate in the past but have recently become more and more integrated.

The engineering and installation of complex automation solutions are greatly simplified by integrated safety functions.

Usually, the safety engineering requirements depend on the application.

The level of requirements results from the risk and the hazard potential arising from the specific application.

### IEC 61508 Standard

The standard IEC 61508 Functional safety of electrical/electronic/programmable electronic safety-related systems covers the safety-related function.

Instead of a single component, an entire function chain (for example, from a sensor through the logical processing units to the actuator) is considered as a unit.

This function chain must meet the requirements of the specific safety integrity level as a whole.

Systems and components that can be used in various applications for safety tasks with comparable risk levels can be developed on this basis.

### SIL - Safety Integrity Level

The standard IEC 61508 defines 4 safety integrity levels (SIL) for safety functions.

SIL1 is the lowest level and SIL4 is the highest level.

A hazard and risk analysis serves as a basis for determining the required safety integrity level.

This is used to decide whether the relevant function chain is to be considered as a safety function and which hazard potential it must cover.

### PFH - Probability of a Dangerous Hardware Failure Per Hour

To maintain the safety function, the IEC 61508 standard requires various levels of measures for avoiding and controlling detected faults, depending on the required SIL.

All components of a safety function must be subjected to a probability assessment to evaluate the effectiveness of the measures implemented for controlling detected faults.

This assessment determined the PFH (Probability of a dangerous Failure per Hour) for a safety system.

This is the probability per hour that a safety system fails in a hazardous manner and the safety function cannot be correctly executed.

Depending on the SIL, the PFH must not exceed certain values for the entire safety system.

The individual PFH values of a function chain are added. The result must not exceed the maximum value specified in the standard.

Performance level	Probability of a dangerous Failure per Hour (PFH) at high demand or continuous demand
4	$\geq 10^{-9} \dots < 10^{-8}$
3	$\geq 10^{-8} \dots < 10^{-7}$
2	$\geq 10^{-7} \dots < 10^{-6}$
1	$\geq 10^{-6} \dots < 10^{-5}$

## PL - Performance Level

The standard ISO 13849-1 defines 5 Performance levels (PL) for safety functions.

a is the lowest level and e is the highest level.

Five levels (a, b, c, d, and e) correspond to different values of average probability of dangerous failure per hour.

Performance level	Probability of a dangerous Hardware Failure per Hour
e	$\geq 10^{-8} \dots < 10^{-7}$
d	$\geq 10^{-7} \dots < 10^{-6}$
c	$\geq 10^{-6} \dots < 3 * 10^{-6}$
b	$\geq 3 * 10^{-6} \dots < 10^{-5}$
a	$\geq 10^{-5} \dots < 10^{-4}$

## HFT - Hardware Fault Tolerance and SFF - Safe Failure Fraction

Depending on the SIL for the safety system, the IEC 61508 standard requires a specific hardware fault tolerance HFT in connection with a specific proportion of safe failures SFF (Safe Failure Fraction).

The hardware fault tolerance is the ability of a system to execute the required safety function in spite of the presence of one or more hardware faults.

The SFF of a system is defined as the ratio of the rate of safe failures to the total failure rate of the system.

According to IEC 61508, the maximum achievable SIL of a system is partly determined by the hardware fault tolerance HFT and the safe failure fraction SFF of the system.

IEC 61508 distinguishes two types of subsystem (type A subsystem, type B subsystem).

These types are specified on the basis of criteria which the standard defines for the safety-relevant components.

SFF	HFT type A subsystem			HFT type B subsystem		
	0	1	2	0	1	2
< 60%	SIL1	SIL2	SIL3	----	SIL1	SIL2
60% ... < 90%	SIL2	SIL3	SIL4	SIL1	SIL2	SIL3
60% ... < 99%	SIL3	SIL4	SIL4	SIL2	SIL3	SIL4
≥ 60%	SIL3	SIL4	SIL4	SIL3	SIL4	SIL4

## PFD - Probability of Failure on Demand

The standard IEC 61508 defines SIL using requirements grouped into two broad categories: hardware safety integrity and systematic safety integrity. A device or system must meet the requirements for both categories to achieve a given SIL.

The SIL requirements for hardware safety integrity are based on a probabilistic analysis of the device. To achieve a given SIL, the device must meet targets for the maximum probability of dangerous failure and a minimum Safe Failure Fraction. The concept of 'dangerous failure' must be rigorously defined for the system in question, normally in the form of requirement constraints whose integrity is verified throughout system development. The actual targets required vary depending on the likelihood of a demand, the complexity of the device(s), and types of redundancy used.

The PFD (Probability of Failure on Demand) and RRF (Risk Reduction Factor) of low demand operation for different SILs are defined in IEC 61508 are as follows:

SIL	PFD	PFD (power)	RRF
1	0.1 - 0.01	$10^{-1} - 10^{-2}$	10 - 100
2	0.01 - 0.001	$10^{-2} - 10^{-3}$	100 - 1000
3	0.001 - 0.0001	$10^{-3} - 10^{-4}$	1000 - 10,000
4	0.0001 - 0.00001	$10^{-4} - 10^{-5}$	10,000 - 100,000

In continuous operation, these changes to the following:

SIL	PFD	PFD (power)	RRF
1	0.00001 - 0.000001	$10^{-5} - 10^{-6}$	100,000 - 1,000,000
2	0.000001 - 0.0000001	$10^{-6} - 10^{-7}$	1,000,000 - 10,000,000
3	0.0000001 - 0.00000001	$10^{-7} - 10^{-8}$	1000 - 10,000
4	0.00000001 - 0.000000001	$10^{-8} - 10^{-9}$	100,000,000 - 1,000,0000,000

The hazards of a control system must be identified then analyzed in a risk analysis. These risks are gradually mitigated until their overall contribution to the hazard is deemed to be acceptable. The tolerable level of these risks is specified as a safety requirement in the form of a target probability of a dangerous failure over a given period, stated as a discrete SIL level.

## Fault Avoidance Measures

Systematic errors in the specifications, in the hardware and the software, usage faults and maintenance faults in the safety system must be avoided to the maximum degree possible. To meet these requirements, IEC 61508 specifies a number of measures for fault avoidance that must be implemented depending on the required SIL. These measures for fault avoidance must cover the entire life cycle of the safety system, i.e. from design to decommissioning of the system.

---

# Chapter 2

## Description

---

### What Is in This Chapter?

This chapter contains the following topics:

Topic	Page
Safety Function STO (Safe Torque Off)	18
Safety Function SS1 (Safe Stop 1)	20
Safety Function SLS (Safely-Limited Speed)	22
Safety Function SMS (Safe Maximum Speed)	29
Safety Function GDL (Guard Door Locking)	31

## Safety Function STO (Safe Torque Off)

### Overview

#### **⚠ DANGER**

##### **ELECTRIC SHOCK CAUSED BY INCORRECT USE**

The safety function STO (Safe Torque Off) does not cause electric isolation. The DC bus voltage is still present.

- Turn off the mains voltage using an appropriate switch to achieve a voltage-free condition.

**Failure to follow these instructions will result in death or serious injury.**

This function brings the machine safely into a no-torque state and / or prevents it from starting accidentally.

The safe torque-off (safety function STO) function can be used to effectively implement the prevention of unexpected start-up functionality, thus making stops safe by preventing the power only to the motor, while still maintaining power to the main drive control circuits.

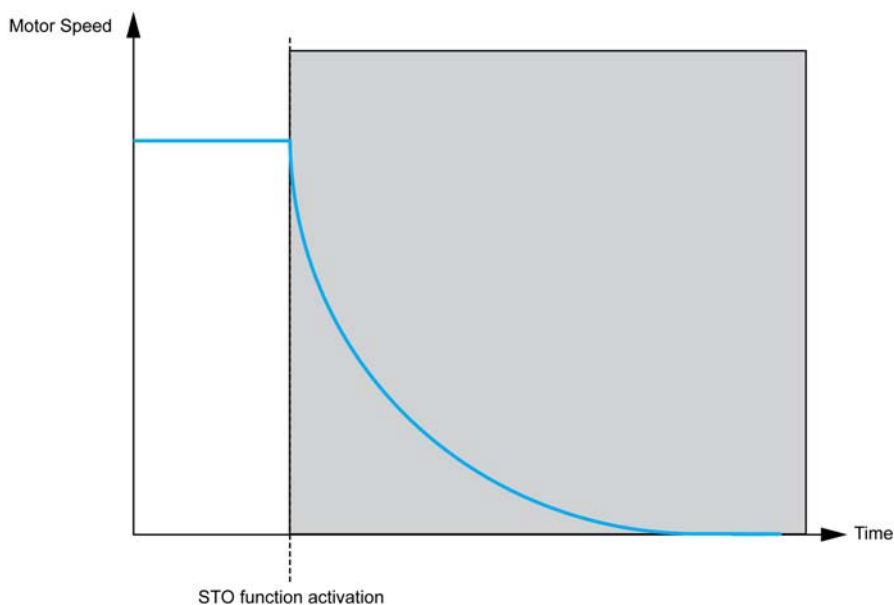
The principles and requirements of the prevention of unexpected start-up are described in the standard EN 1037:1995+A1.

The logic input STO is assigned to this safety function and cannot be modified.

If a paired terminal line in 2 channels is required to trigger safety function STO, the function can also be enabled by the safety-related logic inputs.

The safety function STO is configured with the commissioning software.

The safety function STO status can be displayed using the HMI of the drive or using the commissioning software.



## Safety Function STO Standard Reference

The safety function STO is defined in section 4.2.2.2 of standard IEC 61800-5-2 (edition 1.0 2007.07):

*Power, that can cause rotation (or motion in the case of a linear motor), is not applied to the motor. The PDS(SR) (power drive system suitable for use in safety-related applications) will not provide energy to the motor which can generate torque (or force in the case of a linear motor).*

- NOTE 1: This safety function corresponds to an uncontrolled stop in accordance with stop category 0 of IEC 60204-1.
- NOTE 2: This safety function may be used where power removal is required to prevent an unexpected start-up.
- NOTE 3: In circumstances where external influences (for example, falling of suspended loads) are present, additional measures (for example, mechanical brakes) may be necessary to prevent any hazard.
- NOTE 4: Electronic equipment and contactors do not provide adequate protection against electric shock, and additional insulation measures may be necessary.

## Safety Function (SF) Level Capability for Safety Function STO

Configuration	SIL Safety Integrity Level according to IEC 61508	PL Performance Level according to ISO 13849-1
STO with or without safety module	SIL 2	PL d
STO & LI3 with or without safety module	SIL 3	PL e
LI3 and LI4	SIL 2	PL d
LI5 and LI6	SIL 2	PL d

## Emergency Operations

Standard IEC 60204-1 introduces 2 emergency operations:

- **Emergency switching-off:**

This function requires external switching components, and cannot be accomplished with drive based functions such as safe torque-off (STO).

- **Emergency stop:**

An emergency stop must operate in such a way that, when it is activated, the hazardous movement of the machinery is stopped and the machine is unable to start under any circumstances, even after the emergency stop is released.

An emergency stop shall function either as a stop category 0 or as a stop category 1.

Stop category 0 means that the power to the motor is turned off immediately. Stop category 0 is equivalent to the safe torque-off (STO) function, as defined by standard EN 61800-5-2.

In addition to the requirements for stop (see 9.2.5.3 of IEC 60204-1), the emergency stop function has the following requirements:

- it shall override all other functions and operations in all modes.
- This reset shall be possible only by a manual action at that location where the command has been initiated. The reset of the command shall not restart the machinery but only permit restarting.
- For the machine environment (IEC 60204-1 and machinery directive), when safety function STO is used to manage an emergency stop category 0, the motor must not restart automatically when safety function STO has been triggered and deactivated (with or without a power cycle). This is the reason why an additional safety module is required if the machine restarts automatically after the safety function STO has been deactivated.

## Safety Function SS1 (Safe Stop 1)

### Overview

The safety function SS1 (Safe Stop 1) monitors the deceleration according to a dedicated deceleration ramp and safely shuts off the torque once standstill has been achieved.

When the safety function SS1 is triggered, it overrides all other functions (except STO function that has priority) and operations in all modes.

The unit of the SS1 deceleration ramp is in Hz/s. The setting of the ramp is done with two parameters:

**[SS1 ramp unit]** 5 5 r u (Hz/s) to give the unit of the ramp in 1 Hz/s, 10 Hz/s, and 100 Hz/s

**[SS1RampValue]** 5 5 r t (0.1) to set the value of the ramp

#### Ramp calculation:

$$\text{Ramp} = \text{SSrU} * \text{SSrt}$$

Example: If SSrU = 10 Hz/s and SSrt = 5.0 the deceleration ramp is 50 Hz/s.

The safety function SS1 is configured with the commissioning software, for more information see Commissioning (see page 87).

The safety function SS1 status can be displayed using the HMI of the drive or using the commissioning software.

### Behavior on Activation of the SS1 Function

When SS1 function is triggered, it monitors the deceleration of the motor according to the specified monitoring ramp until standstill is reached and verifies if the motor speed is not above a monitored limit value depending on the specified monitoring ramp and the parameter **[SS1 trip threshold]** 5 5 t t .

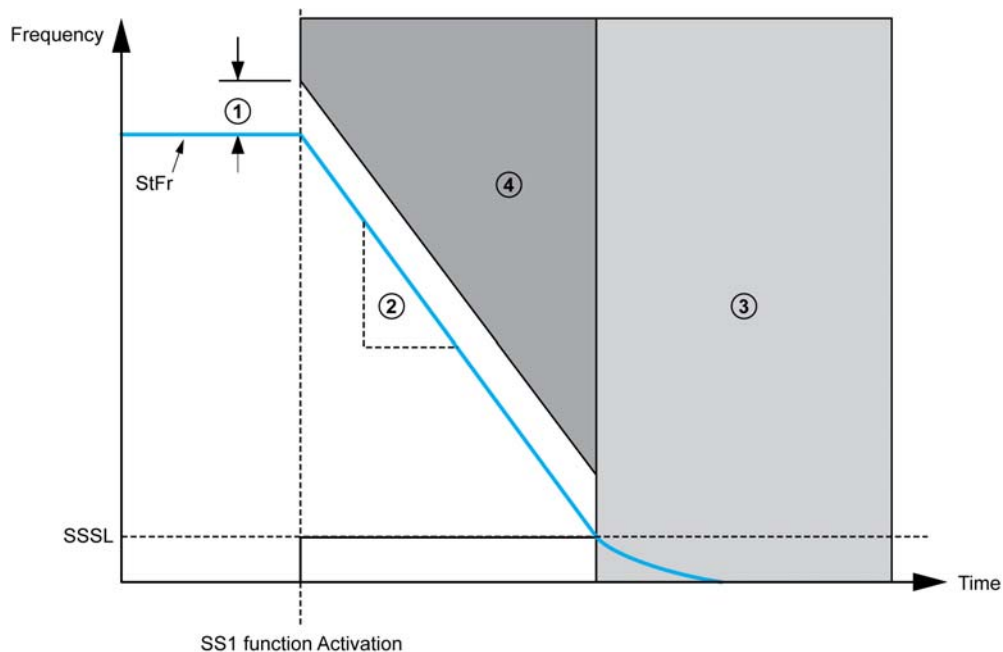
If the monitored limit value is exceeded:

- An error is triggered and the error code **[Safety function fault]** 5 F F F is displayed.
- Safety function STO is triggered.

After the **[Standstill level]** 5 5 5 L has been reached, the safety function STO is triggered.

SS1 function continues to be active if the request has been removed before the standstill has been reached.

**NOTE:** The error detection depends on **[Stator Frequency]** 5 t F r .



①: SS1 trip threshold, ②: SS1 deceleration ramp (dV/dT), ③: STO function triggered, ④: Error and STO function triggered



## Behavior on Deactivation of the SS1 Function

After an SS1 stop, send a new run command (even if the run command is set on level command).

## SS1 Standard Reference

The SS1 function is defined in section 4.2.2.2 of standard IEC 61800-5-2:

The PDS(SR) (Power drive system suitable for use in safety-related applications) either:

- Initiates and controls the motor deceleration rate within set limits to stop the motor and initiates the STO function (see 4.2.2.2) when the motor speed is below a specified limit; or
- Initiates and monitors the motor deceleration rate within set limits to stop the motor and initiates the STO function when the motor speed is below a specified limit; or
- Initiates the motor deceleration and initiates the STO function after an application-specific time delay.

**NOTE:** This safety function corresponds to a controlled stop in accordance with stop category 1 of IEC 60204-1.

## Safety Function (SF) Level Capability for Safety Function SS1

Function	Configuration	SIL Safety Integrity Level According to IEC 61508	PL Performance Level According to ISO 13849-1
SS1 type C	STO with Preventa module	SIL2	PL d
	STO and LI3 with Preventa module	SIL 3	PL e
SS1 type B	LI3 and LI4	SIL 2	PL d
	LI5 and LI6	SIL 2	PL d

## Emergency Stop Category 1

An emergency stop must operate in such a way that, when it is activated, the hazardous movement of the machinery is stopped and the machine is unable to start under any circumstances, even after the emergency stop is released.

An emergency stop shall function either as a stop category 0 or as a stop category 1.

Stop category 1 is a controlled shut-down, whereby the energy supply to the motor is maintained to perform the shut-down, and the energy supply is only interrupted when the shut-down has been completed.

Stop category 1 is equivalent to the **[Safe Stop 1] 5 5 /** function, as defined by standard EN 61800-5-2.

In addition to the requirements for stop (see 9.2.5.3 of IEC 60204-1), the emergency stop function has the following requirements:

- it shall override all other functions and operations in all modes.
- This reset shall be possible only by a manual action at that location where the command has been initiated. The reset of the command shall not restart the machinery but only permit restarting.

For the machine environment (IEC 60204-1 and machinery directive), when safety function SS1 is used to manage an emergency stop category 1, the motor must not restart automatically when safety function SS1 has been triggered and deactivated (with or without a power cycle). This is the reason why an additional safety module is required if the machine restarts automatically after the safety function SS1 has been deactivated.

## Safety Function SLS (Safely-Limited Speed)

### Overview

This function is used to limit the speed of a motor.

There are 6 types of SLS function:

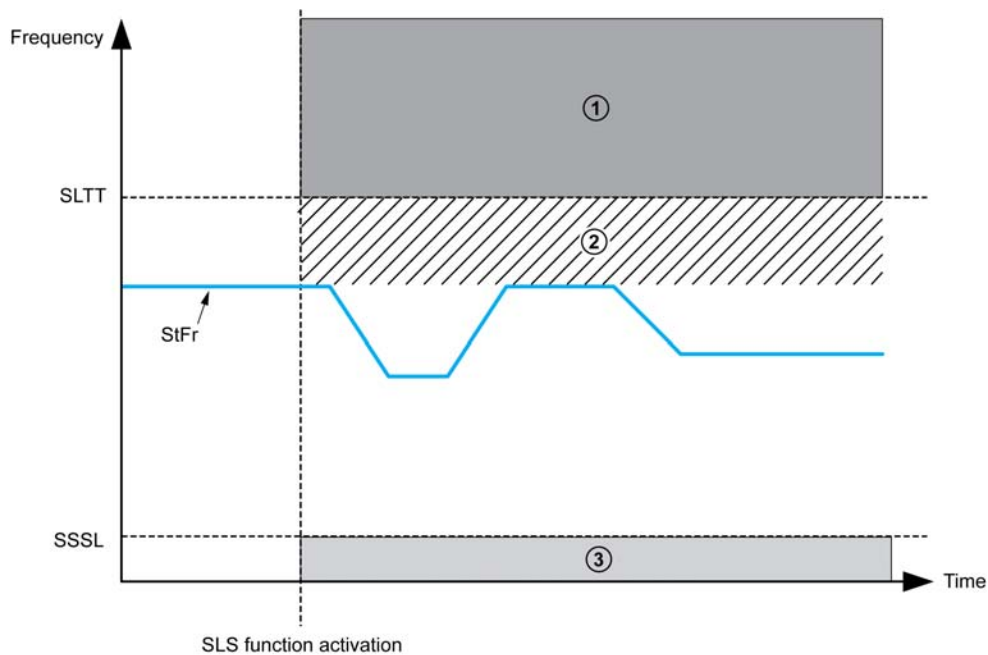
- SLS type 1: Limits the motor speed to the actual motor speed.
- SLS type 2: Limits the motor speed to a value set using a parameter.
- SLS type 3: Same as type 2 with specific behavior if the motor speed is above threshold value set using a parameter.
- SLS type 4: Limits the motor speed to a value set using a parameter. The direction of rotation can be changed while the safety function is active.
- SLS type 5: Same as type 4 with the specific behavior if the motor speed is above threshold value set using a parameter.
- SLS type 6: Same as type 4 with specific behavior if the motor speed is above threshold value set using a parameter.

**NOTE:** SLS types 2 and 3 use (SLwt) **[SLS Wait time]** parameter to allow the motor to run under the **[standstill level] S S S L** for a given time after the safety function SLS has been activated.

The safety function SLS is configured with the commissioning software, for more information see commissioning ([see page 87](#)).

The status of the safety function SLS can be displayed using the HMI of the drive or using the commissioning software.

### Behavior on Activation of the Safety Function SLS Type 1



①: Error and STO function triggered, ②: Reference upper limit, ③: STO function triggered

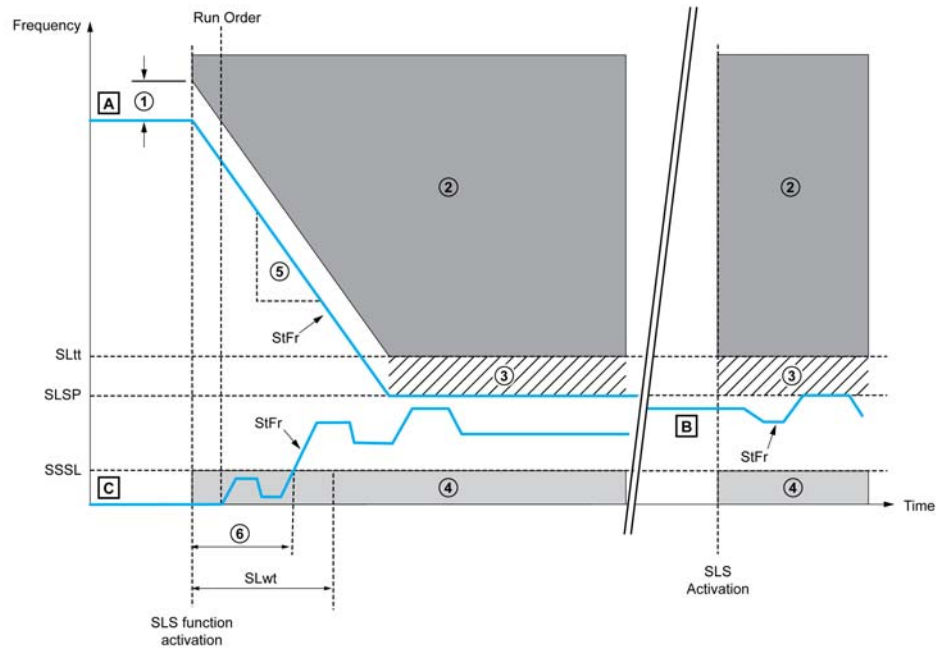
When the safety function is activated:

- If the **[Stator Frequency] S L F r** is above the **[SLS tolerance threshold] S L L L**, the safety function STO is triggered and an error is triggered with the error code **[Safety function fault] S H F F**.
- If the **[Stator Frequency] S L F r** is under the **[SLS tolerance threshold] S L L L**, the stator frequency is limited to the actual stator frequency. The reference frequency will only vary between this value and the standstill level SSSL.

While the function is activated:

- If the **[Stator Frequency] S L F r** decreases and reaches the **[Standstill level] S S S L** frequency, the safety function STO is triggered.
- If the **[Stator Frequency] S L F r** increases and reaches **[SLS tolerance threshold] S L L L**, the safety function STO is triggered and an error is triggered with the error code **[Safety function fault] S H F F**.

## Behavior on Activation of the Safety Function SLS Type 2



①: SS1 trip threshold, ②: Error and STO function triggered, ③: Reference upper limit, ④: STO function triggered, ⑤: SS1 deceleration ramp (dV/dT), ⑥: Time taken for the [Stator Frequency]  $f_r$  to become greater than SSSL

**A**: [Stator Frequency]  $f_r$  is above [Set Point]  $f_{SP}$

**B**: [Stator Frequency]  $f_r$  is between [Standstill level]  $f_{SSL}$  and [Set Point]  $f_{SP}$

**C**: [Stator Frequency]  $f_r$  is below [Standstill level]  $f_{SSL}$  and [SLS wait time] (SLwt)  $\neq 0$

When the function is activated:

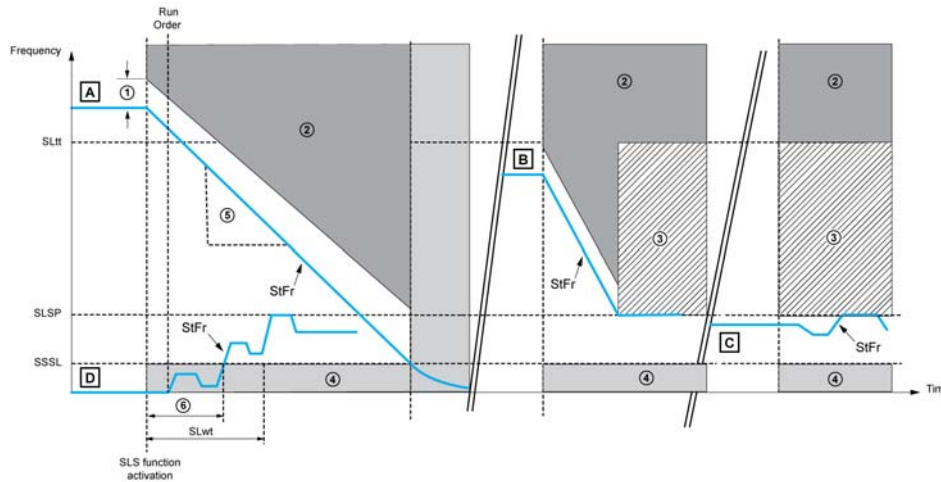
- If the [Stator Frequency]  $f_r$  is above the [Set point]  $f_{SP}$ , the drive decelerates according to SS1 deceleration ramp until the [Set point]  $f_{SP}$  is reached. (see case A)
- If the [Stator Frequency]  $f_r$  is below the SLSP the current reference is not changed but limited to the [Set point]  $f_{SP}$ . (see case B)
- If the [Stator Frequency]  $f_r$  is still below the [Standstill level]  $f_{SSL}$  frequency after [SLS wait time] (SLwt) has elapsed, the safety function STO will be triggered. (see case C)

While the function is activated:

- The reference frequency can only vary between the [Set point]  $f_{SP}$  and the standstill level SSSL.
- If the [Stator Frequency]  $f_r$  decreases and reaches the [Standstill level]  $f_{SSL}$  frequency, safety function STO is triggered.
- If the [Stator Frequency]  $f_r$  increases and reaches the [SLS tolerance threshold]  $f_{SLt}$ , the safety function STO is triggered and an error is triggered with the error code [Safety function fault]  $SFF$ .

### Behavior on Activation of the Safety Function SLS Type 3

SLS type 3 has the same behavior as SLS type 2 except that if the **[Stator Frequency]  $f_r$**  is above the **[SLS tolerance threshold]  $f_{LTL}$** , the safety function SS1 is triggered instead of decelerating to the **[Set point]  $f_{LSP}$**  (see case A)



①: SS1 trip threshold, ②: Error and STO function triggered, ③: Reference upper limit, ④: STO function triggered, ⑤: SS1 deceleration ramp (dV/dT), ⑥: Time taken for the **[Stator Frequency]  $f_r$**  to become greater than SSSL

**A**: **[Stator Frequency]  $f_r$**  is above **[SLS tolerance threshold]  $f_{LTL}$**

**B**: **[Stator Frequency]  $f_r$**  is between **[Set Point]  $f_{LSP}$**  and **[SLS tolerance threshold]  $f_{LTL}$**

**C**: **[Stator Frequency]  $f_r$**  is between **[Standstill level]  $f_{SSL}$**  and **[Set Point]  $f_{LSP}$**

**D**: **[Stator Frequency]  $f_r$**  is below **[Standstill level]  $f_{SSL}$**  and **[SLS wait time] (SLwt)  $\neq 0$**

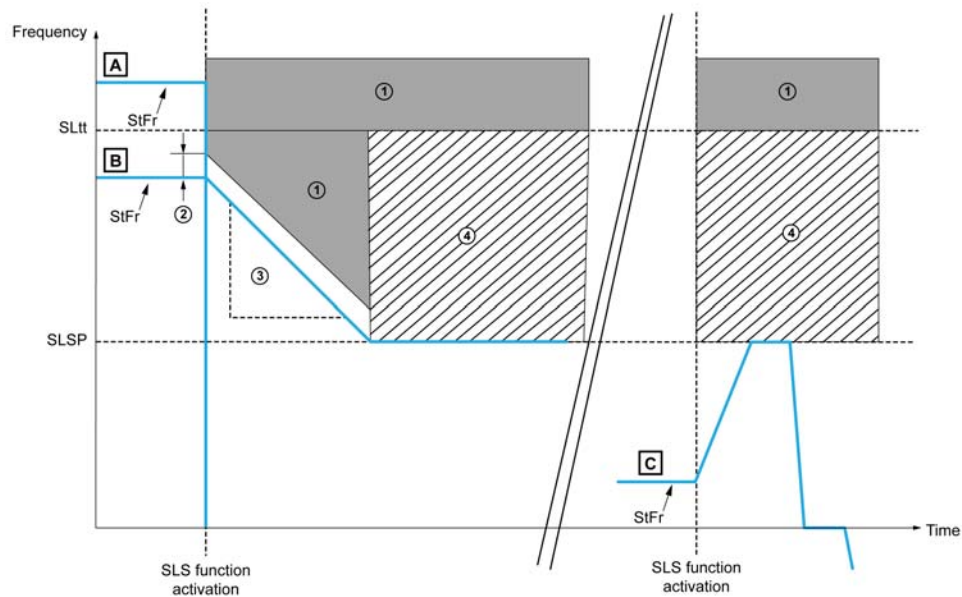
When the function is activated:

- If the **[Stator Frequency]  $f_r$**  is above the **[SLS tolerance threshold]  $f_{LTL}$** , the safety function SS1 is triggered. (see case A).
- If the **[Stator Frequency]  $f_r$**  is between the **[SLS tolerance threshold]  $f_{LTL}$**  and the **[Set point]  $f_{LSP}$** , the drive decelerates according to SS1 deceleration ramp until the **[Set point]  $f_{LSP}$**  has been reached. (see case B).
- If the **[Stator Frequency]  $f_r$**  is below the **[Set point]  $f_{LSP}$**  the current reference is not changed but limited to the **[Set point]  $f_{LSP}$** . (see case C)
- If the **[Stator Frequency]  $f_r$**  is still below the **[Standstill level]  $f_{SSL}$**  frequency after **[SLS wait time] SLwt** has elapsed, the safety function STO will be triggered. (see case D)

While the function is activated:

- The reference frequency can only vary between the **[Set point]  $f_{LSP}$**  and the **[Standstill level]  $f_{SSL}$** .
- If the **[Stator Frequency]  $f_r$**  decreases and reaches the **[Standstill level]  $f_{SSL}$**  frequency, the safety function STO is triggered.
- If the **[Stator Frequency]  $f_r$**  increases and reaches the **[SLS tolerance threshold]  $f_{LTL}$** , the safety function STO is triggered and an error is triggered with the error code **[Safety function fault] SFFF**.

## Behavior on Activation of the Safety Function SLS Type 4



① Error and STO function triggered, ② SS1 trip threshold, ③ SS1 deceleration ramp (dv/dt), ④ reference upper limit

**A**: [Stator Frequency]  $f_r$  is above [SLS tolerance threshold]  $f_{Ltt}$

**B**: [Stator Frequency]  $f_r$  is between [Set Point]  $f_{LSP}$  and [SLS tolerance threshold]  $f_{Ltt}$

**C**: [Stator Frequency]  $f_r$  is below [Set Point]  $f_{LSP}$

**NOTE:** If the  $f_{Ltt} \leq f_{LSP}$  for SLS type 4, SAFF fault is triggered.

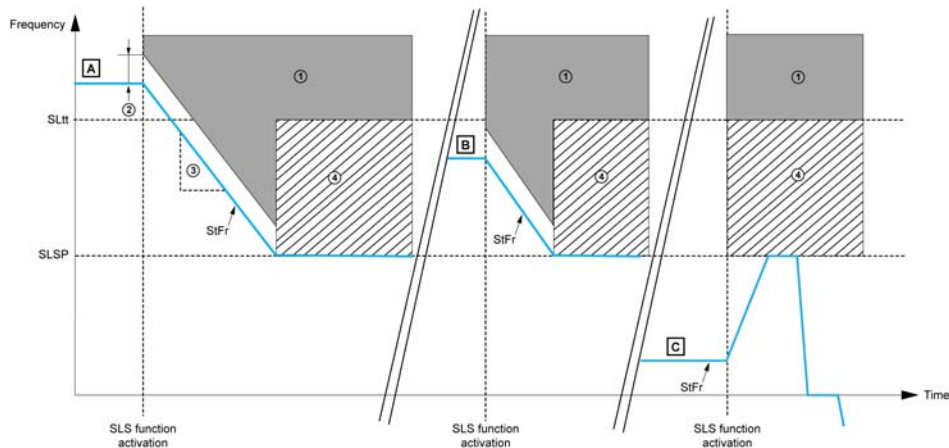
When the function is activated:

- If the [Stator Frequency]  $f_r$  is above the [SLS tolerance threshold]  $f_{Ltt}$ , the safety function STO is triggered with the error code [Safety function fault]  $SFF$ . (see case A)
- If the [Stator Frequency]  $f_r$  is between the [SLS tolerance threshold]  $f_{Ltt}$  and the [Set point]  $f_{LSP}$ , the drive decelerates according to SS1 deceleration ramp until the [Set point]  $f_{LSP}$  has been reached. (see case B)
- If the [Stator Frequency]  $f_r$  is below the [Set point]  $f_{LSP}$ , the current reference is not changed but limited to the [Set point]  $f_{LSP}$ . (see case C).

While the function is activated:

- The reference frequency can vary between the [Set point]  $f_{LSP}$  in both forward and reverse directions.
- If the [Stator Frequency]  $f_r$  increases and reaches [SLS tolerance threshold]  $f_{Ltt}$ , the safety function STO is triggered and an error is triggered with the error code [Safety function fault]  $SFF$ .

## Behavior on Activation of the Safety Function SLS Type 5



①: Error and STO function triggered, ②: SS1 trip threshold, ③: SS1 deceleration ramp (dv/dt), ④: Reference upper limit

**A**: [Stator Frequency]  $f_r$  is above [SLS tolerance threshold]  $f_{tt}$

**B**: [Stator Frequency]  $f_r$  is between [Set Point]  $f_{sp}$  and [SLS tolerance threshold]  $f_{tt}$

**C**: [Stator Frequency]  $f_r$  is below [Set Point]  $f_{sp}$

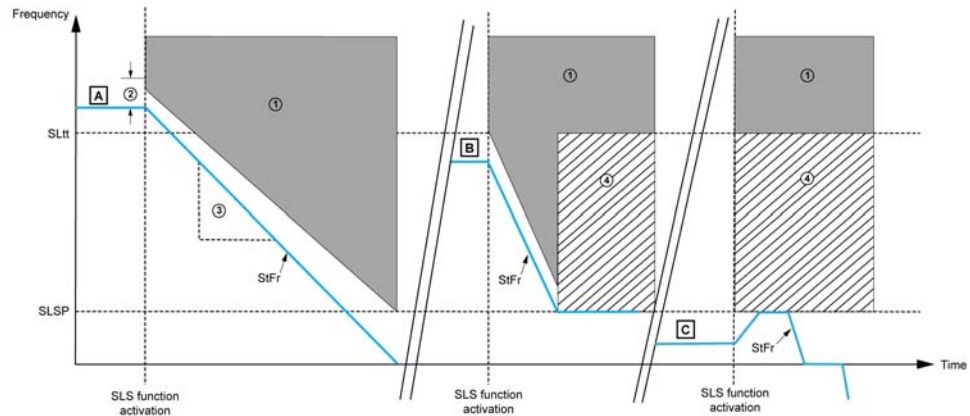
When the function is activated:

- If the [Stator Frequency]  $f_r$  is above the [SLS tolerance threshold]  $f_{tt}$ , the drive decelerates according to SS1 deceleration ramp until the [Set point]  $f_{sp}$  has been reached. (see case A)
- If the [Stator Frequency]  $f_r$  is between the [SLS tolerance threshold]  $f_{tt}$  and the [Set point]  $f_{sp}$ , the drive decelerates according to SS1 deceleration ramp until the [Set point]  $f_{sp}$  has been reached. (see case B)
- If the [Stator Frequency]  $f_r$  is below the [Set point]  $f_{sp}$ , the current reference is not changed but limited to the [Set point]  $f_{sp}$ . (see case C).

While the function is activated:

- The reference frequency can vary between the [Set point]  $f_{sp}$  in both forward and reverse directions.
- If the [Stator Frequency]  $f_r$  increases and reaches [SLS tolerance threshold]  $f_{tt}$ , the safety function STO is triggered and an error is triggered with the error code [Safety function fault]  $SFF$ .

## Behavior on Activation of the Safety Function SLS Type 6



①: Error and STO function triggered, ②: SS1 trip threshold, ③: SS1 deceleration ramp (dV/dT) ④: Reference upper limit, ⑤: STO function triggered.

**A**: [Stator Frequency]  $f_r$  is above [SLS tolerance threshold]  $f_{tt}$

**B**: [Stator Frequency]  $f_r$  is between [Set Point]  $f_p$  and [SLS tolerance threshold]  $f_{tt}$

**C**: [Stator Frequency]  $f_r$  is below [Set Point]  $f_p$

When the function is activated:

- If the [Stator Frequency]  $f_r$  is above the [SLS tolerance threshold]  $f_{tt}$ , the drive decelerates according to SS1 deceleration ramp until 0 Hz has been reached (see case A).
- If the [Stator Frequency]  $f_r$  is between the [SLS tolerance threshold]  $f_{tt}$  and the [Set point]  $f_p$ , the drive decelerates according to SS1 deceleration ramp until the [Set point]  $f_p$  has been reached.(see case B)
- If the [Stator Frequency]  $f_r$  is below the [Set point]  $f_p$ , the current reference is not changed but limited to the [Set point]  $f_p$ .(see case C).

While the function is activated:

- The reference frequency can vary between the [Set point]  $f_p$  in both forward and reverse directions.
- If the [Stator Frequency]  $f_r$  increases and reaches [SLS tolerance threshold]  $f_{tt}$ , the safety function STO is triggered and an error is triggered with the error code [Safety function fault]  $FF$ .

## Behavior on Deactivation of the Safety Function SLS for All SLS Types

If...	Then ...
The drive is still running when the function is deactivated	The reference frequency of the active channel is applied.
Safety function STO has been triggered and the drive is not in fault state.	A new run command must be applied.
The safety function SLS type 2, 3, 4 is deactivated while the drive decelerates to the <b>[Set point] 5 L 5 P</b> according to SS1 deceleration ramp. The safety function SLS type 3 is deactivated while the safety function SS1 has been triggered	The safety function SLS remains activated until the <b>[Set point] 5 L 5 P</b> has been reached. STO is triggered when <b>[Standstill level] 5 5 5 L</b> is reached and a new run command must be applied.
a stop command is applied	The safety function SLS remains active and the drive decelerates until standstill is reached. For SLS type 1, 2, or 3 STO function is triggered when the <b>[Stator Frequency] 5 L F r</b> decreases and reaches the <b>[Standstill level] 5 5 5 L</b> frequency.
an error is detected	The safety function SLS remains active and the drive stops according to the configured error response. For SLS type 1, 2, or 3 STO function will be triggered after the <b>[Standstill level] 5 5 5 L</b> frequency has been reached. The drive can be reset after the cause is cleared.

## SLS Standards References

The safety function SLS is defined in section 4.2.3.4 of standard IEC 61800-5-2 The SLS function helps to prevent the motor from exceeding the specified speed limit.

## Safety Function (SF) Level for Safety Function SLS

Configuration	SIL Safety Integrity Level According to IEC 61508	PL Performance level According to ISO 13849-1
LI3 and LI4	SIL 2	PL d
LI5 and LI6	SIL 2	PL d



## Safety Function SMS (Safe Maximum Speed)

### Overview

This function prevents the speed of the motor from exceeding the specified safe maximum speed limit. The safety function SMS is configured using commissioning software, for details, refer commissioning (see page 87).

**[SMS Activation]**  $5\ n\ 5\ H$  parameter is used to activate or deactivate the SMS function.

Two speed limits can be set using the following parameters

- **[SMS Low Limit]**  $5\ n\ L\ L$  : To select the lower speed limit.
- **[SMS High Limit]**  $5\ n\ L\ H$  : To select the higher speed limit

**[SMS Low Limit]**  $5\ n\ L\ L$  or **[SMS High Limit]**  $5\ n\ L\ H$  is considered as safe maximum speed limit based on the **[SMS Assignment]**  $5\ n\ L\ 5$  selection.

When **[SMS Assignment]**  $5\ n\ L\ 5$  is selected as **L34** or **L56** (logical input 3 and 4 or logical input 5 and 6),

- If the logical inputs are in low state (0), **[SMS Low Limit]**  $5\ n\ L\ L$  is considered as the safe maximum speed limit.
- If the logical inputs are in high state (1), **[SMS High Limit]**  $5\ n\ L\ H$  is considered as the safe maximum speed limit.

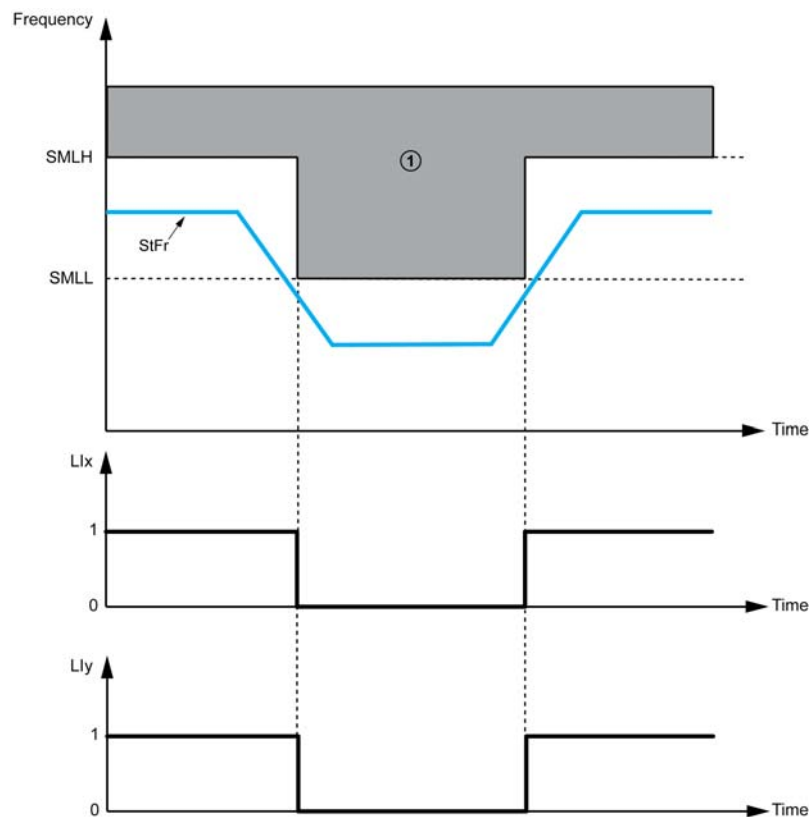
When **[SMS Assignment]**  $5\ n\ L\ 5$  is selected as **NO**, **[SMS Low Limit]**  $5\ n\ L\ L$  is considered as the safe maximum speed limit.

#### NOTE:

- The SMS function does not adjust the speed reference.
- The speed reference should be adjusted through an active speed reference channel according to **[SMS Low Limit]**  $5\ n\ L\ L$  or **[SMS High Limit]**  $5\ n\ L\ H$ .

The status of safety function SMS is displayed on graphical display terminal of the drive and **Monitoring** tab of the commissioning software.

### Behavior on Activation of the Safety Function SMS



① Error and STO function triggered

While the function is activated

- If logical inputs (Llx and Lly) are in low state (0) and **[Stator Frequency] 5 E F r** increases and reaches **[SMS Low Limit] 5 n L L**, STO is triggered and an error is triggered with an error code **[Safety function fault] 5 R F F**.
- If logical inputs (Llx and Lly) are in high state (1) and **[Stator Frequency] 5 E F r** increases and reaches **[SMS High Limit] 5 n L H**, STO is triggered and an error is triggered with an error code **[Safety function fault] 5 R F F**.
- If logical inputs (Llx and Lly) are not assigned and **[Stator Frequency] 5 E F r** increases and reaches **[SMS Low Limit] 5 n L L**, STO is triggered and an error is triggered with an error code **[Safety function fault] 5 R F F**.

### SMS Standard References

The safety function SMS is not defined in IEC 61800-5-2. The SMS function prevents the speed of the motor from exceeding the specified speed limit. If the motor speed exceeds the specified speed limit value, safety function STO is triggered. The SMS can only be activated or deactivated with the commissioning software. When activated, the stator frequency is constantly monitored irrespective of the mode of operation.

### Safety Function (SF) Level for Safety Function SMS

Configuration	SIL Safety Integrity Level According to IEC 61508	PL Performance level According to ISO 13849-1
LI3 and LI4	SIL 2	PL d
LI5 and LI6	SIL 2	PL d
No	SIL 2	PL d

## Safety Function GDL (Guard Door Locking)

### Overview

This function allows you to release the guard door lock after specified delay when the motor power is turned off. The front door of the machine can be opened only after the motor is stopped, this function helps to ensure the safety of the machine operator.

For details on certified wiring diagram, refer Single Drive According to IEC 61508 and IEC 62061 for GDL Function (see page 86).

**[GDL Assignment]**  $GDL$  parameter is used to activate or deactivate the GDL function.

GDL function uses LO1 parameter.

Two delays can be configured using following parameters.

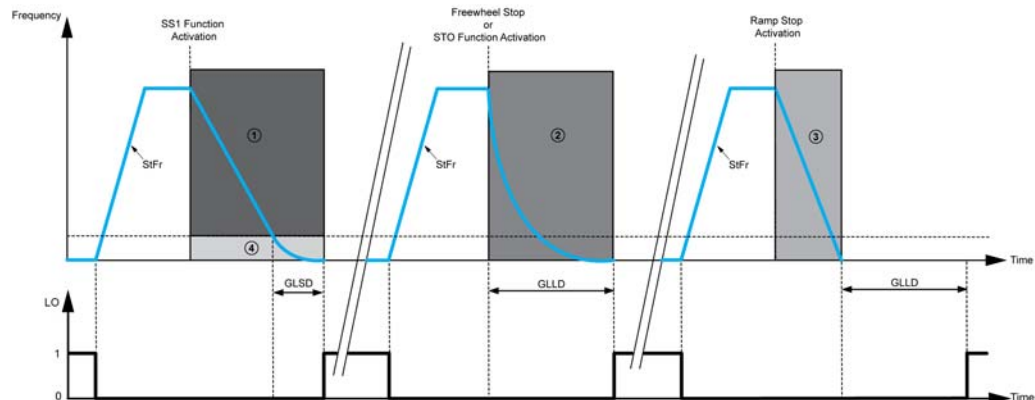
- **[Guard Door Locking Long Delay]**  $GLLD$ : Long delay after any stop command (such as STO, ramp stop, DC injection, and so on) other than SS1 stop to make sure that the machine is stopped.
- **[Guard Door Locking Short Delay]**  $GLSD$ : Short delay after SS1 ramp to make sure that the machine is stopped.

**NOTE:** **[Guard Door Locking Long Delay]**  $GLLD$  and **[Guard Door Locking Short Delay]**  $GLSD$  are defined based on the characteristics of the machine.

The safety function GDL is configured using the commissioning software, for details, refer Commissioning (see page 87).

The status of the safety function GDL is displayed on graphical display terminal of the drive and **Monitoring** tab of the commissioning software.

### Behavior on Activation of the Safety Function GDL



- ① SS1 stop, ② Freewheel stop, ③ Ramp stop, ④ STO function triggered

While the function is activated,

- If the safety function SS1 is triggered, logical output (LO) changes to high state (1) after **[GDL Short Delay]**  $GLSD$  and guard door lock is released.
- If the freewheel stop or safety function STO is triggered, logical output (LO) changes to high state (1) after **[GDL Long Delay]**  $GLLD$  and guard door lock is released.
- If the ramp stop is triggered, logical output (LO) changes to high state (1) after **[GDL Long Delay]**  $GLLD$  and guard door lock is released.

### GDL Standard References

The safety function GDL is not defined in IEC 61800-5-2. The GDL function allows you to release the guard door lock when the motor power is turned off.

### Safety Function (SF) Level for Safety Function GDL

Configuration	SIL Safety Integrity Level According to IEC 61508	PL Performance level According to ISO 13849-1
STO with safety module	SIL 1	PL c



---

# Chapter 3

## Calculation of Safety Related Parameters

---

### What Is in This Chapter?

This chapter contains the following topics:

Topic	Page
SLS Type 1	34
SLS Type 2, Type 3, Type 4, Type 5, and Type 6	36
SS1	40
SMS	42
GDL	43

## SLS Type 1

### Collect Application Data

Before starting to configure the SLS function, you must collect the following data:

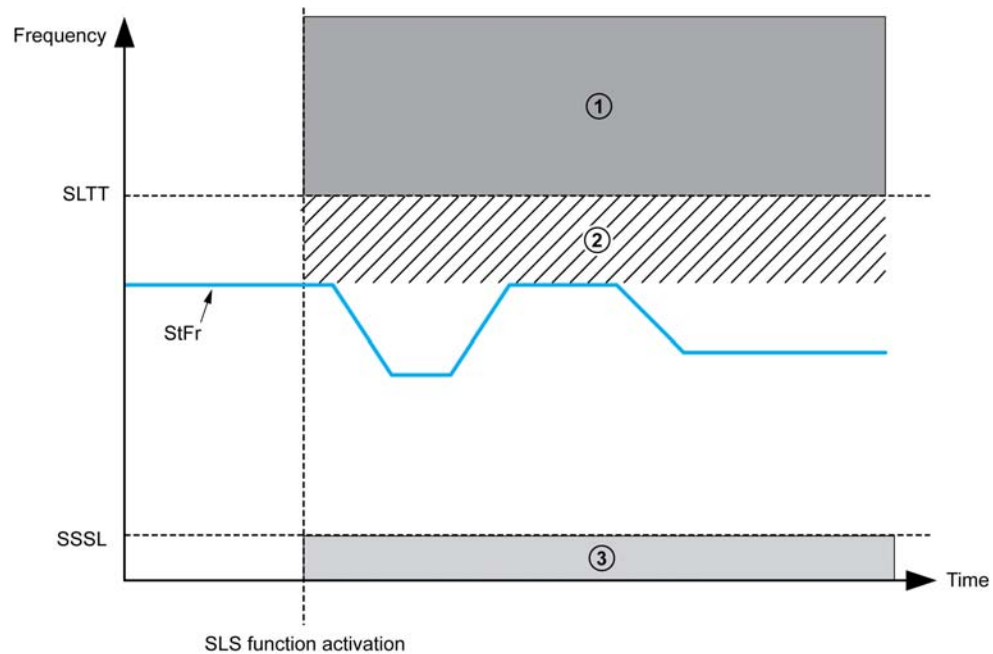
Code	Description	Unit	Comment
$F_r S$	[Rated motor freq.]	Hz	See motor nameplate
$n S P$	[Rated motorspeed]	rpm	See motor nameplate
ppn	Motor pole pair number	–	See motor nameplate
Max Frequency	Maximum motor frequency for normal operation	Hz	This value is equal to [High speed] $H S P$ or lower

Calculate the rated motor slip frequency  $F_{slip}$  (Hz):

$$F_{slip} = FrS - \frac{Nsp \times ppn}{60}$$

### To Configure the Function

#### Overview of diagram



①: Error and STO function triggered, ②: Reference upper limit, ③: STO function triggered

#### Standstill Level

The recommended standstill level is:  $SSSL = F_{slip}$

If the application requires a different standstill level, it can be set accordingly with the SSSL parameter.

#### Motor Frequency Limit Threshold

The recommended value of the parameter is  $SLtt = 1.2 \times \text{Max Frequency} + F_{slip}$

## Testing and Adjusting the Configuration

When configuration is complete, test the SLS function to verify it behaves as expected.

If an error is triggered with the error code **[Safety function fault] 5 F F F** apply the following troubleshooting rules

Context	Drive Status	Adjustment
SLS activated and motor running at the fixed setpoint frequency	<ul style="list-style-type: none"><li>SAFF error code</li><li>SFFE.7 = 1</li></ul>	Motor frequency has reached the motor frequency limit threshold. The cause of the detected error can be due to frequency instability. Investigate and correct the cause. The value of SLtt can be modified to increase the tolerance threshold to the instability of the drive system.

## Example

Code	Description	Unit
<i>F r 5</i>	<b>[Rated motor freq.]</b>	50 Hz
<i>n 5 P</i>	<b>[Rated motorspeed]</b>	1350 rpm
ppn	Motor pole pair number	2
Max Frequency	Maximum motor frequency on normal operation. This value is generally equal to <b>[High speed] H 5 P</b> or lower	50 Hz

With these numerical values, the configuration of SLS type 1 is:

$$F_{slip} = 50 - \frac{1350 \times 2}{60} = 5 \text{ Hz}$$

$$SSSL = F_{slip} = 5 \text{ Hz}$$

$$SLtt = 1.2 \times \text{Max Frequency} + F_{slip} = 1.2 \times 50 + 5 = 65 \text{ Hz}$$

## SLS Type 2, Type 3, Type 4, Type 5, and Type 6

### Collect Application Data

Before starting to configure the SLS function, you must collect the following data:

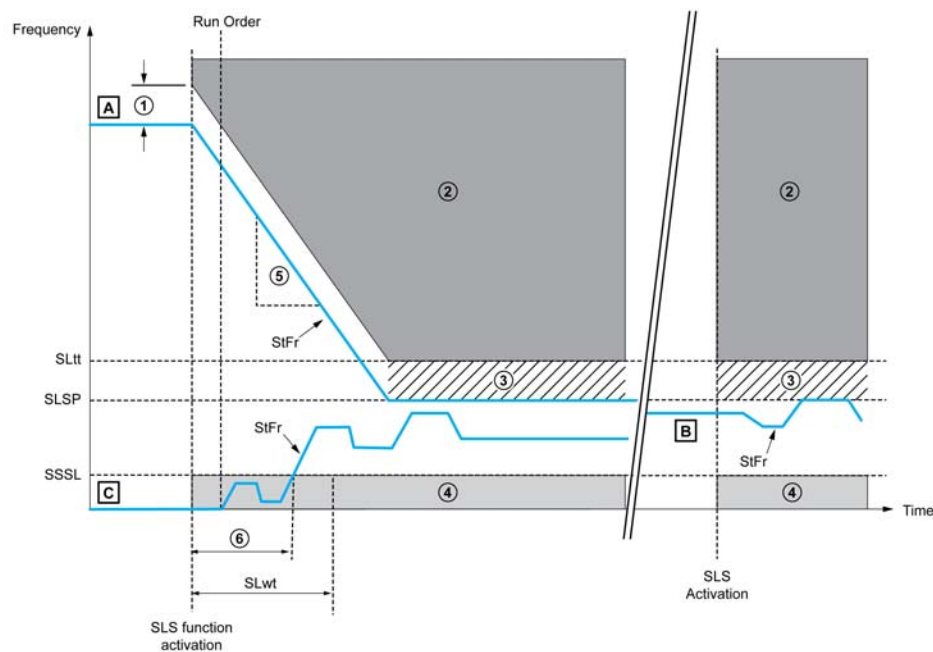
Code	Description	Unit	Comment
$F_r S$	[Rated motor freq.]	Hz	See motor nameplate
$n S P$	[Rated motor speed]	rpm	See motor nameplate
ppn	Motor pole pair number	–	See motor nameplate
Max Frequency	Maximum motor frequency on normal operation	Hz	This value is equal to [High speed] $H S P$ or lower.
SS1 deceleration ramp	Deceleration ramp to apply when SS1 ramp is triggered	Hz	–

Calculate the rated motor slip frequency  $F_{slip}$  (Hz).

$$F_{slip} = F_r S - \frac{N_{sp} \times ppn}{60}$$

### To Configure the Function

#### Overview of diagram



①: SS1 trip threshold, ②: Error and STO function triggered, ③: Reference upper limit, ④: STO function triggered, ⑤: SS1 deceleration ramp (dV/dT), ⑥: Time taken for the [Stator Frequency]  $S L F r$  to become greater than SSSL

**A**: [Stator Frequency]  $S L F r$  is above [Set Point]  $S L S P$

**B**: [Stator Frequency]  $S L F r$  is between [Standstill level]  $S S S L$  and [Set Point]  $S L S P$

**C**: [Stator Frequency]  $S L F r$  is below [Standstill level]  $S S S L$  and [SLS wait time] (SLwt)  $\neq 0$   
**Standstill Level**

The recommended standstill level is:  $S S S L = F_{slip}$

If the application requires a different standstill level, it can be set accordingly with the SSSL parameter.

#### Ramp Value and Ramp Unit



Set SSrt (ramp value) and SSrU (ramp unit) parameters according to the deceleration ramp to apply when the safety function SS1 is triggered.

Ramp calculation: Ramp = SSrU\*SSrt

Example 1: If SSrU = 1 Hz/s and SSrt = 500.0 the deceleration ramp is 500.0 Hz/s and the accuracy is 0.1 Hz

Example 2: If SSrU = 10 Hz/s and SSrt = 50.0 the deceleration ramp is 500 Hz/s and the accuracy is 1 Hz

Use the table to set the correct accuracy according to the deceleration ramp to apply when the safety function SS1 is triggered:

Min	Max	Accuracy	SSrt	SSrU
0.1 Hz/s	599 Hz/s	0.1 Hz/s	1 Hz/s	SS1 deceleration ramp
599 Hz/s	5990 Hz/s	1 Hz/s	10 Hz/s	SS1 deceleration ramp/10
5990 Hz/s	59900 Hz/s	10 Hz/s	100 Hz/s	SS1 deceleration ramp/100

### SLS Setpoint

Set the SLS setpoint parameter (SLSP) to:  $SLSP = F_{setpoint} (SLS)$

### Motor Frequency and ramp Limit Threshold

The recommended motor frequency limit threshold is  $SLtt = 1.2 \times SLSP + F_{slip}$  and the recommended SS1 ramp limit threshold is:  $SStt = 0.2 \times Max\ Frequency$

### SLS Wait time

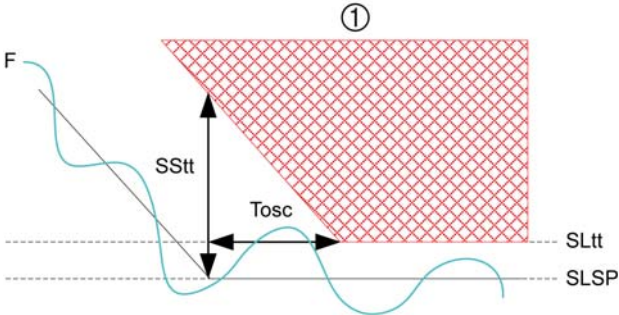
Set the **[SLS wait time]** (SLwt) greater than 0 ms to allow the motor to run under the **[standstill level]** **5 5 5 L** for a given time after the safety function SLS has been activated.

**NOTE:** When SLS Type 4 is configured, **[SLS wait time]** (SLwt) must be set to 0 otherwise an error is triggered and the error code **[Safety function fault]** **5 F F F** is displayed

## Testing and Adjusting the Configuration

When configuration is complete, test the SLS function to verify that it behaves as expected.

If an error is triggered with the error code **[Safety function fault] 5 H F F**, apply the following troubleshooting rules

Context	Drive Status	Adjustment
SLS activated and deceleration ramp in progress	<ul style="list-style-type: none"> <li>SAFF error code</li> <li>SFFE.3 = 1</li> </ul>	Motor frequency has reached the motor frequency limit threshold. The cause of the detected error can be due to frequency instability. Investigate and correct the cause. The value of SLtt can be modified to increase the tolerance threshold to the instability of the drive system.
SLS activated and end of ramp at SLSP frequency	<ul style="list-style-type: none"> <li>SAFF error code</li> <li>SFFE.3 = 1 or</li> <li>SFFE.7 = 1</li> </ul>	<p>Motor frequency stabilization at SLSP takes too long and has reached the safety function error detection condition.</p>  <p>①: Safety function error detection, T<sub>osc</sub>: T oscillation, F: Frequency  The oscillations must be lower than SLtt before the time T(oscillation) elapses. If the condition is not followed, an error is triggered and the error code <b>[Safety function fault] 5 H F F</b> is displayed  The relationship between SStt and T(oscillation) is:</p> $T (osc) = \frac{SSTT - (SLTT - SLSP - Fslip)}{SSRT \times SSRU}$ <p>Motor frequency has reached the motor frequency limit threshold. The cause of the detected error can be due to frequency instability. Investigate and correct the cause. The value of SStt can be modified to increase the tolerance threshold to the oscillations of the drive system.</p>
SLS activated and motor running at SLSP frequency	<ul style="list-style-type: none"> <li>SAFF error code</li> <li>SFFE.7 = 1</li> </ul>	Motor frequency has reached the motor frequency limit threshold. The cause of the detected error can be due to frequency instability. Investigate and correct the cause. The value of SLtt can be modified to increase the tolerance threshold to the instability of the drive system.

## Example

Code	Description	Unit
$F r 5$	Rated motor frequency	50 Hz
$n 5 P$	Rated motor speed	1350 rpm
ppn	Motor pole pair number	2
Max Frequency	Maximum motor frequency on normal operation. This value is equal to <b>[High speed] H 5 P</b> or lower	50 Hz
Fsetpoint(SLS)	Motor frequency setpoint	15 Hz
SS1 deceleration ramp	Deceleration ramp to apply when SS1 is triggered	20 Hz/s

With these numerical values, the configuration of SLS type 2, 3, and 4 is:

$$F_{slip} = 50 - \frac{1350 \times 2}{60} = 5 \text{ Hz}$$

$$SSSL = F_{slip} = 5 \text{ Hz}$$

$$SSrU = 1 \text{ Hz/s and } SSrt = 20.0 \text{ for SS1 deceleration ramp} = 20 \text{ Hz/s (accuracy is 0.1 Hz)}$$

$$SLSP = F_{setpoint}(SLS) = 15 \text{ Hz}$$

$$SLtt = 1.2 \times SLSP + F_{slip} = 1.2 \times 15 + 5 = 23 \text{ Hz}$$

$$SStt = 0.2 \times \text{Max Frequency} = 0.2 \times 50 = 10 \text{ Hz}$$

$$T (\text{oscillation}) = \frac{SSSt - (SLtt - SLSP - F_{slip})}{SSr \times SSrU} = \frac{10 - (23 - 15 - 5)}{20 \times 1} = 350 \text{ ms}$$

In this example, the frequency oscillations are allowed to be higher than SLtt for 350 ms.

# SS1

## Collect Application Data

Before configuring the SS1 function, you must collect the following data:

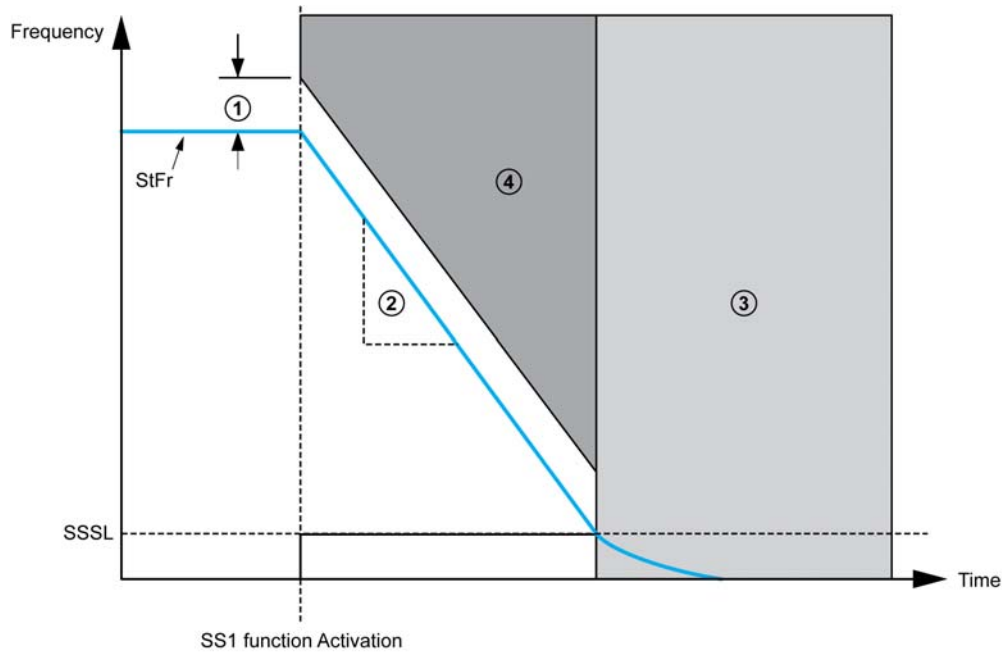
Code	Description	Unit	Comment
$F_r S$	Rated motor frequency	Hz	From motor
$n S P$	Rated motor speed	rpm	From motor
ppn	Motor pole pair number	–	From motor
Max Frequency	Maximum motor frequency on normal operation	Hz	This value is equal to <b>[High speed] <math>H S P</math></b> or lower

Calculate the rated motor slip frequency  $F_{slip}$  (Hz).

$$F_{slip} = FrS - \frac{Nsp \times ppn}{60}$$

## To Configure the Function

### Overview of diagram



①: SS1 trip threshold, ②: SS1 deceleration ramp (dV/dT), ③: STO function triggered, ④: Error and STO function triggered

### Standstill Level

The recommended standstill level is:  $SSSL = F_{slip}$

If the application requires a different standstill level, it can be set accordingly with the SSSL parameter.

### Ramp Value and Ramp Unit

Set SSrt (ramp value) and SSrU (ramp unit) parameters according to the deceleration ramp to apply when the safety function SS1 is triggered.

Ramp Calculation: Ramp = SSrU\*SSrt

Example 1: If SSrU = 1 Hz/s and SSrt = 500.0 the deceleration ramp is 500.0 Hz/s and the accuracy is 0.1 Hz

Example 2: If SSrU = 10 Hz/s and SSrt = 50.0 the deceleration ramp is 500 Hz/s and the accuracy is 1 Hz

Use the table to set the correct accuracy according to the deceleration ramp to apply when the safety function SS1 is triggered:

Min	Max	Accuracy	SSrU	SSrt
0.1 Hz/s	599 Hz/s	0.1 Hz/s	1 Hz/s	SS1 deceleration ramp
599 Hz/s	5990 Hz/s	1 Hz/s	10 Hz/s	SS1 deceleration ramp/10
5990 Hz/s	59900 Hz/s	10 Hz/s	100 Hz/s	SS1 deceleration ramp/100

### Ramp Limit Threshold

The SS1 ramp trip threshold is calculated by:  $SSrt = 0.2 \times \text{Max Frequency}$

This value is equal to **[High speed] H 5 P** or lower

### Testing and Adjusting the Configuration

When configuration is complete, test the safety function SS1 to verify that it behaves as expected.

If an error is triggered with the error code **[Safety function fault] 5 R F F**, apply the following troubleshooting rules

Context	Drive Status	Adjustment
SS1 activated and the <b>[Standstill level] 5 5 5 L</b> has not yet been reached	<ul style="list-style-type: none"> <li>SAFF error code</li> <li>SFFE.3 = 1</li> </ul>	<p>Motor frequency has reached the motor frequency limit threshold.</p> <p>The cause of the detected error can be due to frequency instability. Investigate and correct the cause. The value of SSrt can be modified to increase the tolerance threshold to the instability of the drive system.</p>

### Example

Code	Description	Unit
<b>F r 5</b>	Rated motor frequency	50 Hz
<b>n 5 P</b>	Rated motor speed	1350 rpm
ppn	Motor pole pair number	2
Max Frequency	Maximum motor frequency on normal operation	50 Hz
SS1 deceleration ramp	Deceleration ramp to apply when SS1 is triggered	20 Hz/s

With these numerical values, the configuration of SS1 is:

$$F_{slip} = 50 - \frac{1350 \times 2}{60} = 5 \text{ Hz}$$

$$SSSL = F_{slip} = 5 \text{ Hz}$$

$$SSrU = 1 \text{ Hz/s and } SSrt = 20.0 \text{ for SS1 deceleration ramp} = 20 \text{ Hz/s (accuracy is 0.1 Hz)}$$

$$SSSt = 0.2 \times \text{Max Frequency} = 0.2 \times 50 = 10 \text{ Hz}$$

## SMS

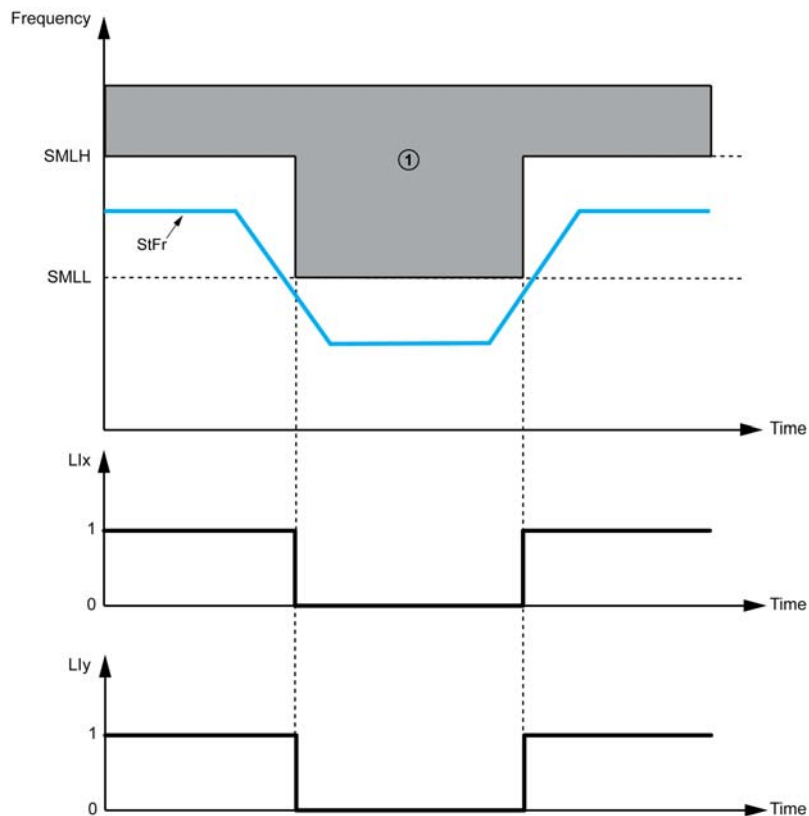
### Collect Application Data

Before starting to configure the SMS function, you must collect the following data:

Code	Description	Unit	Comment
PPn	Motor pole pair number	–	See motor nameplate

Max output frequency in Hz = ((Max velocity in rpm)/60)\* PPn

### To Configure the Function



- ① Error and STO function triggered  
SMLL > Max output frequency  
SMLH > Max output frequency

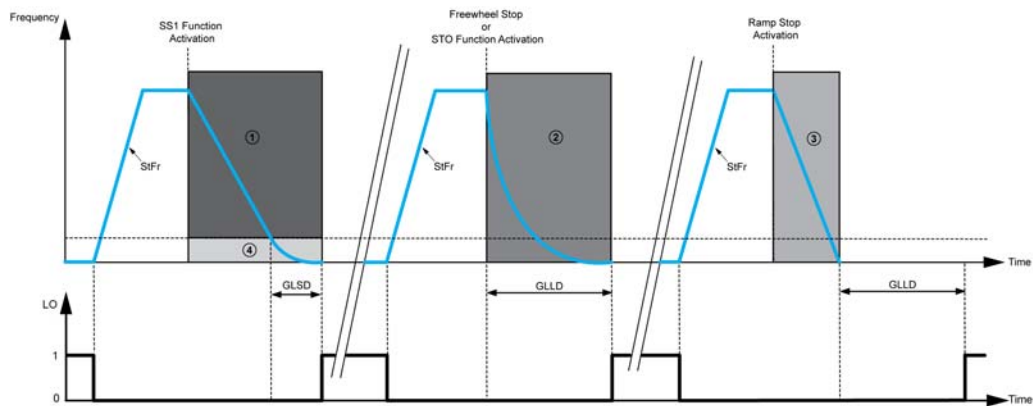
## GDL

### Collect Application Data

Before starting to configure the GDL function, you must collect the following data:

Code	Description	Unit	Comment
$\overline{G L S d}$	[GDL Short Delay]	s	Maximum delay after SS1 ramp to stop the machine.
$\overline{G L L d}$	[GDL Long Delay]	s	Maximum delay after STO function activation or normal deceleration ramp command to stop the machine.

### To Configure the Function



① SS1 stop, ② Freewheel stop, ③ Ramp stop, ④ STO function triggered

### Testing and Adjusting the Configuration

When GDL configuration is complete

- Activate safety function SS1 and verify that logical output changes to high state (1) when the machine is stopped.
- Activate safety function STO and verify that the logical output changes to high state (1) when the machine is stopped.





---

# Chapter 4

## Behavior of Safety Functions

---

### What Is in This Chapter?

This chapter contains the following topics:

Topic	Page
Limitations	46
Detected Fault Inhibition	47
Priority Between Safety Functions	48
Factory Settings	49
Configuration Download	50
Priority Between Safety Functions and No Safety-Related Functions	51

---

## Limitations

### Type of Motor

The safety functions SLS, SS1, and SMS on ATV32 are **only applicable for asynchronous motors** with open-loop control profile.

The safety function STO and GDL can be used with synchronous and asynchronous motors.

### Prerequisites for Using Safety Functions

Following conditions have to be fulfilled for correct operation:

- The motor size is adequate for the application and is not at the limit of its capacity.
- The drive size has been correctly chosen for the line supply, sequence, motor, and application and is not at the limit of their capacities as stated in the catalog.
- If required, the appropriate options are used.  
Example: dynamic braking resistor or motor choke.
- The drive is correctly set up with the correct speed loop and torque characteristics for the application; the reference frequency profile applied to the drive control loop is followed.

### Requirements on Logical Inputs

- Sink mode is not used with the safety function. If you use the safety function, you need to wire the logic inputs in source mode.
- PTC on LI6 is incompatible with the safety function set on this input. If you are using the safety function on LI6, do not set the PTC switch to PTC
- If you are using the pulse input, you cannot set the safety function on LI5 at the same time.

---

## Detected Fault Inhibition

When a safety function has been configured, the error **[Safety Function Fault] 5 R F F** cannot be inhibited by the function **[Fault Inhibit assign.] I n H**

---

## Priority Between Safety Functions

1. The safety function STO has the highest priority. If the safety function STO is triggered, a Safe Torque Off is performed regardless of which other functions are active.
2. The safety function SS1 has medium priority in relation to the other safety functions.
3. The safety function SLS and GDL has the lowest priority.

---

## Factory Settings

If the safety functions are configured and you restore the factory settings, only the parameters which are not safety-related will be reset to the factory setting. The settings of safety-related parameters can only be reset using the commissioning software, for more information see Commissioning ([see page 87](#)).

---

## Configuration Download

You can transfer a configuration in all situations. If a safety function has been configured, the functions using these same logic inputs will not be configured.

For example: If the downloaded configuration has functions (Preset speed,...) on LI3-4-5-6 and if the drive has a safety function configured on these logic inputs, safety function will not be erased. It is the functions that have the same logic input as safety functions that are not transferred. Multiconfiguration/multimotor and macro configuration obey the same rules.

## Priority Between Safety Functions and No Safety-Related Functions

### Priority Table

o: Compatible functions

x: Incompatible functions

↑ ↔: The function indicated by the arrow has priority over the other.

Drive Function	SLS	SS1	STO
[HIGH SPEED HOISTING] H S H -	↑	↑	↑
[+/- SPEED] u P d -	↑	↑	↑
[Skip Frequency] J P F	↑	o	o
[Low speed time out] t L S	↑	↑	↑
[MULTIMOTORS] n n C -	Configuration must be consistent with the 3 motors		o
[PRESET SPEEDS] P S S -	↑	↑	↑
[PID REGULATOR] P i d -	↑	o	o
[RAMP] r P t -	↑	↑	↑
[Freewheel stop ass.] n S t	↔	↔	↑
[Fast stop assign.] F S t	↔	↑	↑
[TRAVERSE CONTROL] t r D -	o: both function configurations should not overlap o: motor frequency can exceed SLS set-point (but not the motor frequency limit threshold)	↑	↑
[EXTERNAL FAULT] E t F -	[gs42]: NST x: DCI ↑: fast, ramp, fallback, maintain	[gs42]: NST x: DCI ↑: fast, ramp, fallback, maintain	[gs42]: NST ↑: DCI ↑: fast, ramp, fallback, maintain
[AUTOMATIC RESTART] A t r -	↑	↑	↑
[FAULT RESET] r S t -	↑	↑	↑
[JOG] J o G -	↑	↑	↑
[STOP CONFIGURATION] S t t -			
[Ramp stop] r n P	↑: SLS ramp ↔: SLS steady	↑	↑
[Fast stop] F S t	↑: SLS ramp ↔: SLS steady	↑	↑
[DC injection] d C i	x	x	↑
[Freewheel] n S t	↔	↔	↑
[+/-SPEED AROUND REF.] S r E -	↑	↑	↑
[POSITIONING BY SENSORS] L P a -	↑: SLS ramp & position is not respected	↑: Position is not respected	↑
[RP input] P F r C	o: if the safety function is not assigned to LI5	o: if the safety function is not assigned to LI5	o: if the safety function is not assigned to LI5
[Underload Detection] u L F	↑	↑	↑
[Overload Detection] o L C	↑	↑	↑
[Rope slack config.] r S d	x	x	x

Drive Function	SLS	SS1	STO
[UnderV. prevention] <i>S E P</i>	x	x	↑
[AUTO DC INJECTION] <i>A d C -</i>	x	x	↑
[DC injection assign.] <i>d C i</i>	x	x	↑
[Load sharing] <i>L b R</i>	o: If the [Stator Frequency] <i>S E F r</i> is above the frequency limit threshold, the error SAFF is triggered.	↑	↑
<b>[Motor control type] Ctt</b>			
[Standard] <i>S E d</i>	x	x	o
[SVC V] <i>u u C</i>	o	o	o
[V/F Quad.] <i>u F 9</i>	x	x	o
[Energy Sav.] <i>n L d</i>	x	x	o
[Sync. mot.] <i>S Y n</i>	x	x	o
[V/F 5pts] <i>u F 5</i>	x	x	o
[OUTPUT PHASE LOSS] <i>o P L</i>	x: Motor output phase loss is detected by the safety function	x: Motor output phase loss is detected by the safety function	o
[Output cut] <i>o R C</i>	x	x	x
[Dec ramp adapt.] <i>b r R</i>	o: If the [Stator Frequency] <i>S E F r</i> is above the Frequency limit threshold, the error SAFF is triggered.	o: If the [Stator Frequency] <i>S E F r</i> is above the Frequency limit threshold, the error SAFF is triggered.	↑
[REF. OPERATIONS] <i>o R i -</i>	↑	↑	o
[2 wire] <i>z C</i>	o: Run command on transition ↑ Run command on level is not compatible	o: Run command on transition ↑ Run command on level is not compatible	o: Run command on transition ↑ Run command on level is not compatible
[PTC MANAGEMENT] <i>P E C -</i>	o: inactive if the safety function is not assigned to LI6	o: inactive if the safety function is not assigned to LI6	o: inactive if the safety function is not assigned to LI6
[FORCED LOCAL] <i>L C F -</i>	↑	↑	o
[LI CONFIGURATION]	o: inactive if the safety function is assigned to logic input	o: inactive if the safety function is assigned to logic input	o: inactive if the safety function is assigned to logic input
[MULTIMOTORS/CONFIG]. <i>n n C -</i>	o: except safety-related parameters	o: except safety-related parameters	o: except safety-related parameters
[FAULT INHIBITION] <i>i n H</i>	x	x	x
[Profile] <i>C H C F</i>	Logic input used by safety function cannot be switched	Logic input used by safety function cannot be switched	Logic input used by safety function cannot be switched
[Macro configuration] <i>C F G</i>	↑: Macro configuration could be overlapped if safety function use a logical input requested by the macro configuration	↑: Macro configuration could be overlapped if safety function use a logical input requested by the macro configuration	↑: Macro configuration could be overlapped if safety function use a logical input requested by the macro configuration
[RAMP] <i>r P E -</i>	↑: SLS ramp [gs42] : SLS steady	↑	o
[Motor short circuit] <i>S C F I</i>	↑	↑	o



Drive Function	SLS	SS1	STO
[Ground short circuit] <i>S L F 3</i>	↑	↑	o
[Overspeed] <i>S o F</i>	↑	↑	o
[Sync. mot.] <i>S Y n</i>	x	x	o
[Configuration Transfer]	o: except safety-related parameters	o: except safety-related parameters	o: except safety-related parameters
[Energy Sav.] <i>n L d</i>	x	x	o

For more information about these functions, see ATV32 Programming manual.



---

# Chapter 5

## Safety Functions Visualization by HMI

---

### What Is in This Chapter?

This chapter contains the following topics:

Topic	Page
Status of Safety Functions	56
Dedicated HMI	57
Error Code Description	58

---

## Status of Safety Functions

### Description

The status of the safety functions can be displayed using the HMI of the drive or using the commissioning software. HMI of the drive can be the local HMI on the product or the graphic display terminal or the remote display terminal. There is one register for each safety function. See introduction ([see page 12](#)) for more information about the safety functions.

To access these registers with an HMI: **[2 MONITORING] 000 - --> [MONIT. SAFETY] 5FF -**

- **[STO status] 5E05**: Status of the safety function STO (Safe Torque Off)
- **[SLS status] 5L55**: Status of the safety function SLS (Safely-Limited Speed)
- **[SS1 status] 5515**: Status of the safety function SS1 (Safe Stop 1)
- **[SMS status] 5755**: Status of the safety function SMS (Safe Maximum Speed)
- **[GDL status] 5DL5**: Status of the safety function GDL (Guard Door Locking)

The status registers are not approved for any type of safety-related use.

For more information about these registers, see ATV32 Visualization and Status of Safety Functions ([see page 94](#)) on [www.schneider-electric.com](http://www.schneider-electric.com).

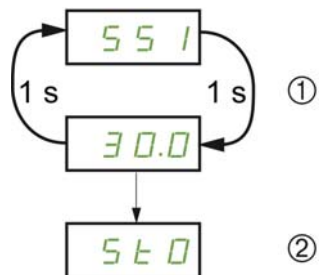
---

## Dedicated HMI

### Description

When a safety function has been triggered, some information is displayed.

Example with the local HMI of the product when the safety function SS1 has been triggered:



①: Display alternately the name of the safety function SS1 and the current display parameter as long as the motor decelerates according to the specified monitoring ramp until standstill is reached, ② After the **[Standstill level] 5 5 5 L** has been reached, the safety function STO is triggered and displayed

## Error Code Description

### Description

When an error is detected by the safety function, the drive displays **[Safety function fault] (5 F F F)**. This detected error can only be reset after powering the drive OFF/ON.

for more information, you can access to the registers to find out the possible reasons for triggering.

These registers can be displayed using the graphic display terminal or the commissioning software:

**[DRIVE MENU] --> [MONITORING] --> [DIAGNOSTICS] --> [MORE FAULT INFO]**

### 5 F F E [Safety Function Error Register]

Bit	Description
Bit0=1	Logic inputs debounce time-out (verify value of debounce time LIDT according to the application)
Bit1	Reserved
Bit2=1	Motor speed sign has changed during SS1 ramp
Bit3=1	Motor speed has reached the frequency limit threshold during SS1 ramp.
Bit4	Reserved
Bit5	Reserved
Bit6=1	Motor speed sign has changed during SLS limitation
Bit7=1	Motor speed has reached the frequency limit threshold during SS1 ramp.
Bit8	Reserved
Bit9	Reserved
Bit10	Reserved
Bit11	Reserved
Bit12	Reserved
Bit13=1	Not possible to measure the motor speed (verify the motor wiring connection)
Bit14=1	Motor ground short-circuit detected (verify the motor wiring connection)
Bit15=1	Motor phase to phase short-circuit detected (verify the motor wiring connection)

This register is reset after powering OFF/ON.

This register can also be accessed from **[DRIVE MENU] --> [MONITORING] --> [MONIT. SAFETY]**

### 5 F F I [Safety Fault Register 1]

This is an application control error register.

Bit	Description
Bit0=1	PWRM consistency detected error
Bit1=1	Safety functions parameters detected error
Bit2=1	Application auto test has detected an error
Bit3=1	Diagnostic verification of safety function has detected an error
Bit4=1	Logical input diagnostic has detected an error
Bit5=1	SMS or GDL safety function detected error, for details refer { SF04} Safety Fault Subregister 04 ( <i>see page 61</i> ).
Bit6=1	Application watchdog management active
Bit7=1	Motor control detected error
Bit8=1	Internal serial link core detected error
Bit9=1	Logical input activation detected error
Bit10=1	Safe Torque Off function has triggered an error
Bit11=1	Application interface has detected an error of the safety functions

Bit	Description
Bit12=1	Safe Stop 1 function has detected an error of the safety functions
Bit13=1	Safely Limited Speed function has triggered an error
Bit14=1	Motor data is corrupted
Bit15=1	Internal serial link data flow detected error

This register is reset after powering OFF/ON.

### 5FF2 [Safety Fault Register 2]

This is a motor control error register.

Bit	Description
Bit0=1	Consistency stator frequency verification has detected an error
Bit1=1	Stator frequency estimation detected error
Bit2=1	Motor control watchdog management is active
Bit3=1	Motor control hardware watchdog is active
Bit4=1	Motor control auto test has detected an error
Bit5=1	Chain testing detected error
Bit6=1	Internal serial link core detected error
Bit7=1	Direct short-circuit detected error
Bit8=1	PWM driver detected error
Bit9=1	GDL safety function internal error
Bit10	Reserved
Bit11=1	Application interface has detected an error of the safety functions
Bit12	Reserved
Bit13	Reserved
Bit14=1	Motor data is corrupted
Bit15=1	Internal serial link data flow detected error

This register is reset after powering OFF/ON.

### 5F00 [Safety Fault Subregister 00]

This is an application auto test error register.

Bit	Description
Bit0	Reserved
Bit1=1	Ram stack overflow
Bit2=1	Ram address integrity detected error
Bit3=1	Ram data access detected error
Bit4=1	Flash checksum detected error
Bit5	Reserved
Bit6	Reserved
Bit7	Reserved
Bit8	Reserved
Bit9=1	Fast task overflow
Bit10=1	Slow task overflow
Bit11=1	Application task overflow
Bit12	Reserved
Bit13	Reserved
Bit14=1	PWRM line is not activated during initialization phase
Bit15=1	Application hardware watchdog is not running after initialization

This register is reset after powering OFF/ON.

### 5 F D 1 [Safety Fault Subregister 01]

This is a logical input diagnostics error register

Bit	Description
Bit0=1	Management - state machine detected error
Bit1=1	Data required for test management are corrupted
Bit2=1	Channel selection detected error
Bit3=1	Testing - state machine detected error
Bit4=1	Test request is corrupted
Bit5=1	Pointer to test method is corrupted
Bit6=1	Incorrect test action provided
Bit7=1	Detected error in results collecting
Bit8=1	LI3 detected error. Cannot activate safety function
Bit9=1	LI4 detected error. Cannot activate safety function
Bit10=1	LI5 detected error. Cannot activate safety function
Bit11=1	LI6 is detected error. Cannot activate safety function
Bit12=1	Test sequence updated while a diagnostic is in progress
Bit13=1	Detected error in test pattern management
Bit14	Reserved
Bit15	Reserved

This register is reset after powering OFF/ON.

### 5 F D 2 [Safety Fault Subregister 02]

This is an application watchdog management detected error register.

Bit	Description
Bit0=1	Fast task detected error
Bit1=1	Slow task detected error
Bit2=1	Application task detected error
Bit3=1	Background task detected error
Bit4=1	Safety function fast task/input detected error
Bit5=1	Safety function slow task/input detected error
Bit6=1	Safety function application task/inputs detected error
Bit7=1	Safety function application task/treatment detected error
Bit8=1	Safety function background task detected error
Bit9	Reserved
Bit10	Reserved
Bit11	Reserved
Bit12	Reserved
Bit13	Reserved
Bit14	Reserved
Bit15	Reserved

This register is reset after powering OFF/ON.



### 5 F D 3 [Safety Fault Subregister 03]

Bit	Description
Bit0=1	Debounce time out
Bit1=1	Input not consistent
Bit2=1	Consistency verification - state machine detected error
Bit3=1	Consistency verification - debounce timeout corrupted
Bit4=1	Response time data detected error
Bit5=1	Response time corrupted
Bit6=1	Undefined consumer queried
Bit7=1	Configuration detected error
Bit8=1	Inputs are not in nominal mode
Bit9	Reserved
Bit10	Reserved
Bit11	Reserved
Bit12	Reserved
Bit13	Reserved
Bit14	Reserved
Bit15	Reserved

This register is reset after powering OFF/ON.

### 5 F D 4 [Safety Fault Subregister 04]

This is a [Safe Torque Off] 5 L □ detected error register

Bit	Description
Bit0=1	No signal configured
Bit1=1	State machine detected error
Bit2=1	Internal data detected error
Bit3	Reserved
Bit4	Reserved
Bit5	Reserved
Bit6	Reserved
Bit7	Reserved
Bit8=1	SMS overspeed detected error
Bit9=1	SMS internal detected error
Bit10	Reserved
Bit11	Reserved
Bit12=1	GDL internal detected error 1
Bit13=1	GDL internal detected error 2
Bit14	Reserved
Bit15	Reserved

This register is reset after powering OFF/ON.

### 5 F 0 5 [Safety Fault Subregister 05]

This is a **[Safe Stop 1] 5 5 /** detected error register

Bit	Description
Bit0=1	State machine detected error
Bit1=1	Motor speed sign has changed during stop
Bit2=1	Motor speed has reached the frequency limit threshold.
Bit3=1	Theoretical motor speed corrupted
Bit4=1	Unauthorized configuration
Bit5=1	Theoretical motor speed computation detected error
Bit6	Reserved
Bit7=1	Speed sign verification: consistency detected error
Bit8=1	Internal SS1 request corrupted
Bit9	Reserved
Bit10	Reserved
Bit11	Reserved
Bit12	Reserved
Bit13	Reserved
Bit14	Reserved
Bit15	Reserved

This register is reset after powering OFF/ON.

### 5 F 0 6 [Safety Fault Subregister 06]

This is a **[Safely Limited Speed] 5 L 5** detected error register

Bit	Description
Bit0=1	State machine detected error
Bit1=1	Motor speed sign changed during limitation
Bit2=1	Motor speed has reached the frequency limit threshold
Bit3=1	Data corruption
Bit4	Reserved
Bit5	Reserved
Bit6	Reserved
Bit7	Reserved
Bit8	Reserved
Bit9	Reserved
Bit10	Reserved
Bit11	Reserved
Bit12	Reserved
Bit13	Reserved
Bit14	Reserved
Bit15	Reserved

This register is reset after powering OFF/ON.

### 5 F D 7 [Safety Fault Subregister 07]

This is an application watchdog management detected error register.

Bit	Description
Bit0	Reserved
Bit1	Reserved
Bit2	Reserved
Bit3	Reserved
Bit4	Reserved
Bit5	Reserved
Bit6	Reserved
Bit7	Reserved
Bit8	Reserved
Bit9	Reserved
Bit10	Reserved
Bit11	Reserved
Bit12	Reserved
Bit13	Reserved
Bit14	Reserved
Bit15	Reserved

This register is reset after powering OFF/ON.

### 5 F D 8 [Safety Fault Subregister 08]

This is an application watchdog management detected error register

Bit	Description
Bit0=1	PWM task detected error
Bit1=1	Fixed task detected error
Bit2=1	ATMC watchdog detected error
Bit3=1	DYNFCT watchdog detected error
Bit4	Reserved
Bit5	Reserved
Bit6	Reserved
Bit7	Reserved
Bit8	Reserved
Bit9	Reserved
Bit10	Reserved
Bit11	Reserved
Bit12	Reserved
Bit13	Reserved
Bit14	Reserved
Bit15	Reserved

This register is reset after powering OFF/ON.

### 5 F 0 9 Safety Fault Subregister 09

This is a motor control auto test detected error register.

Bit	Description
Bit0	Reserved
Bit1=1	Ram stack overflow
Bit2=1	Ram address integrity detected error
Bit3=1	Ram data access detected error
Bit4=1	Flash checksum error
Bit5	Reserved
Bit6	Reserved
Bit7	Reserved
Bit8	Reserved
Bit9=1	1 ms task overflow
Bit10=1	PWM task overflow
Bit11=1	Fixed task overflow
Bit12	Reserved
Bit13	Reserved
Bit14=1	Unwanted interruption
Bit15=1	Hardware WD is not running after initialization

This register is reset after powering OFF/ON.

### 5 F 1 0 [Safety Fault Subregister 10]

This is a motor control direct short-circuit detected error register

Bit	Description
Bit0=1	Ground short circuit - configuration detected error
Bit1=1	Phase to phase short circuit - configuration detected error
Bit2=1	Ground short circuit
Bit3=1	Phase to phase short circuit
Bit4	Reserved
Bit5	Reserved
Bit6	Reserved
Bit7	Reserved
Bit8	Reserved
Bit9	Reserved
Bit10	Reserved
Bit11	Reserved
Bit12	Reserved
Bit13	Reserved
Bit14	Reserved
Bit15	Reserved

This register is reset after powering OFF/ON.

## 5 F 11 [Safety Fault Subregister 11]

This is a motor control dynamic verification of activity detected error register

Bit	Description
Bit0=1	Application requested a diagnostic of direct short-circuit
Bit1=1	Application requested consistency verification of stator frequency estimation (voltage and current)
Bit2=1	Application requested diagnostic of SpdStat provided by motor control
Bit3	Reserved
Bit4	Reserved
Bit5	Reserved
Bit6	Reserved
Bit7	Reserved
Bit8=1	Motor control diagnostic of direct short circuit is enabled
Bit9=1	Motor control consistency verification of stator frequency estimation is enabled
Bit10=1	Motor control diagnostic of SpdStat provided by motor control is enabled
Bit11	Reserved
Bit12	Reserved
Bit13	Reserved
Bit14	Reserved
Bit15	Reserved

This register is reset after powering OFF/ON.



---

# Chapter 6

## Technical Data

---

### What Is in This Chapter?

This chapter contains the following topics:

Topic	Page
Electrical Data	68
Getting and Operating the Safety Function	69
Safety Function Capability	70
Debounce Time and Response Time	73

## Electrical Data

### Logic Type

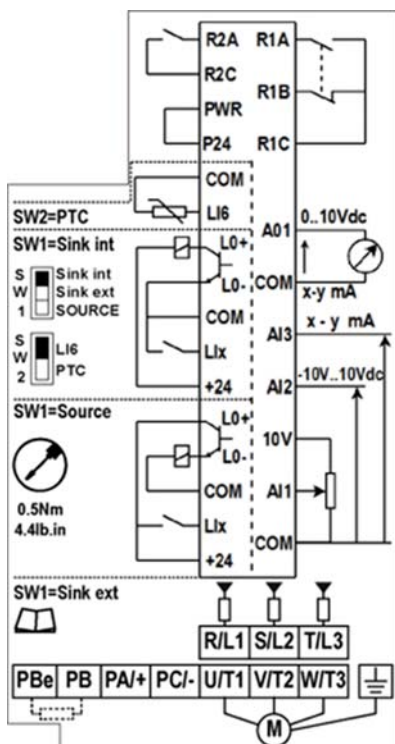
The drive logic inputs and logic outputs can be wired for logic type 1 or logic type 2.

Logic Type	Active State
1	The output draws current (Sink) Current flows to the input
2	The output supply flows from the input current Current (Source)

Safety functions must only be used in source mode.

Signal inputs are protected against reverse polarity, outputs are protected against short-circuits. The inputs and outputs are galvanically isolated.

### Cabling Label





---

## Getting and Operating the Safety Function

### Logic Input

General-purpose logic inputs can be used to trigger a safety function. Logic inputs have to be combined in pairs to obtain a redundant request. There are only 4 general-purpose logic inputs that can be linked to safety functions (LI3, LI4, LI5, LI6). The pairs of logic inputs are fixed and are:

- LI3 and LI4
- LI5 and LI6
- Another combination is only possible for the STO function: LI3 and STO

Pairs of logic inputs can only be assigned once when they are linked to a safety function. When you set a safety function on an logic input you cannot set another function (safety or other) on this logic input. If you set a non-safety function on an logic input you cannot set a safety function on this logic input.

### The SISTEMA Software

The SISTEMA software allows machine developers and testers of safety-related machine controls to evaluate the safety standard or level of their machine in the context of ISO 13849-1. The tool allows you to model the structure of safety-related control components based on the designated architectures, allowing automated calculation of the reliability standards with various levels of detail, including that of the Performance Level (PL).

The Altivar 32 Libraries are available from [www.schneider-electric.com](http://www.schneider-electric.com).

### Preventa Safety Relays

Used for the creation of complex safety functions in machines, allowing management of the I/O, and also for protecting both the operator and the machine.

The Preventa range of products feature microprocessor-based technology using the redundancy principle, and are essential to ensure safe operation of dangerous machinery.

## Safety Function Capability

### PDS (SR) safety functions are part of an overall system

If the qualitative and quantitative safety objectives determined by the final application require some adjustments to ensure safe use of the safety functions, the integrator of the BDM (Basic Drive Module) is responsible for these additional changes (for example, managing the mechanical brake on the motor).

Also, the output data generated by the use of safety functions (fault relay activation, error codes or information on the display, etc.) is not considered to be safety-related data.

### Machine Application Function Configuration

		STO		SS1 type C (5)		SLS/STO/SS1 / SMS type B (6)	
		STO	STO and LI3	STO with Preventa XPS ATE or XPS AV or equivalent	STO and LI3 with Preventa XPS AV or equivalent	LI3 LI4	LI5 LI6
Standard	IEC 61800-5-2 / IEC 61508 /	SIL2	SIL3	SIL2	SIL3	SIL2	
	IEC 62061 (1)	SIL2	SIL3 CL	SIL2 CL	SIL3 CL	SIL2 CL	
	EN 954-1 (2)	Category 3	Category 4	Category 3	Category 4	Category 3	
	ISO 13849-1 (3)	Category 3 PL d	Category 4 PL e	Category 3 PL d	Category 4 PL e	Category 3 PL d	
	IEC 60204-1 (4)	Category stop 0	Category stop 0	Category stop 1	Category stop 1		

(1) Because the IEC 62061 standard concerns integration, this standard distinguishes the overall safety function (which is classified SIL2 or SIL3 for ATV32 according to the diagrams Process system SF - Case 1 and Process system SF - Case 2 from components which constitute the safety function (which is classified SIL2 CL or SIL3 CL for ATV32).

(2) According to table 6 of IEC 62061 (2005).

(3) According to table 4 of EN 13849-1 (2008).

(4) If protection against supply interruption or voltage reduction and subsequent restoration is needed according to IEC 60204-1, a safety module type Preventa XPS AF or equivalent must be used.

(5) SS1 type C: the power drive initiates the motor deceleration and initiates the STO function after an application specific time delay.

(6) SS1 type B: the power drive initiates and monitors the motor deceleration rate within set limits to stop the motor and initiates the STO function when the motor speed is below a specified limit.

### Process Application Function Configuration

		STO		SS1 type C (2)		SLS / STO / SS1 / SMS type B (3)	
		STO	STO and LI3	STO with Preventa XPS ATE or XPS AV or equivalent	STO and LI3 with Preventa XPS AV or equivalent	LI3 LI4	LI5 LI6
Standard	IEC 61800-5-2 / IEC 61508	SIL2	SIL3	SIL2	SIL3	SIL2	
	IEC 62061 (1)	SIL2 CL	SIL3 CL	SIL2 CL	SIL3 CL	SIL2 CL	

(1) Because the IEC 62061 standard concerns integration, this standard distinguishes the overall safety function (which is classified SIL2 or SIL3 for ATV32 according to diagrams CASE 1 and CASE 2 from components which constitute the safety function (which is classified SIL2 CL or SIL3 CL for ATV32).

(2) SS1 type C: the power drive initiates the motor deceleration and initiates the STO function after an application specific time delay.

(3) SS1 type B: the power drive initiates and monitors the motor deceleration rate within set limits to stop the motor and initiates the STO function when the motor speed is below a specified limit.

## Input Signal Safety Functions

Input signals safety functions	Units	Value for LI3 to LI6	Value for STO
Logic 0 (Ulow)	V	< 5	< 2
Logic 1 (Uhigh)	V	> 11	> 17
Impedance (24V)	kΩ	3.5	1.5
Debounce time	ms	< 1	< 1
Response time of safety function	ms	< 10	< 10

## Summary of the Reliability Study

Function	Standard	Input	STO input	STO input & LI3	LI3 & LI4 or LI5 & LI6
STO	IEC 61508 Ed.2	SFF	96.7%	96%	94.8%
		PFD <sub>10y</sub>	7.26.10 <sup>-4</sup>	4.00.10 <sup>-4</sup>	2.44.10 <sup>-3</sup>
		PFD <sub>1y</sub>	7.18.10 <sup>-5</sup>	3.92.10 <sup>-5</sup>	2.33.10 <sup>-4</sup>
		PFH <sub>equ_1y</sub>	8.20 FIT (1)	4.47 FIT (1)	26.6 FIT (1)
		Type	B	B	B
		HFT	1	1	0
		DC	93.1%	91.5%	90%
		<b>SIL capability</b>	<b>2</b>	<b>3</b>	<b>2</b>
	IEC 62061 (1)	SIL CL capability	2	3	2
	EN 954-1 (2)	Category	3	4	3
	ISO 13849-1 (3)	PL	d	e	d
		Category	3	4	3
MTTFd <sup>3</sup> in years		13900	L1 3850L2 29300	4290	
SS1 type B SLS SMS	IEC 61508 Ed.2	SFF			93.3%
		PFD <sub>10y</sub>			2.72.10 <sup>-3</sup>
		PFH <sub>equ_10y</sub>			31.1 FIT (1)
		Type			B
		HFT			0
		DC			78.7%
		<b>SIL capability</b>			2
		IEC 62061 (2)	SIL CL capability		
	EN 954-1 (3)	Category			3
	ISO 13849-1 (4)	PL			d
		Category			3
		MTTFd <sup>3</sup> in years			3670

Function	Standard	Input	STO input	STO input & LI3	LO1
GDL	IEC 61508 Ed.2	SFF			85%
		PFD <sub>equ1y</sub>			8,2.10 <sup>-4</sup>
		PFD <sub>equ10y</sub>			8,2.10 <sup>-3</sup>
		PFH			187 FIT(1)
		Type			B
		HFT			0
		DC			71%
		<b>SIL capability</b>			1
	IEC 62061 (2)	SIL CL capability			1
	ISO 13849-1 (4)	PL			c
		Category			2
		MTTFd <sup>3</sup> in years			609

(1) FIT: Failure In Time = Failure/10-9 hours.

(2) Because the IEC 62061 standard concerns integration, this standard distinguishes the overall safety function (which is classified SIL2 or SIL3 for ATV32 according to diagrams Process system SF - Case 1 and Process system SF - Case 2, from components which constitute the safety function (which is classified SIL2 CL or SIL3 CL for ATV32).

(3) According to table 6 of IEC 62061 (2005).

(4) According to table 4 of EN 13849-1 (2008).

Preventive annual activation of the safety function is recommended.

However, the safety levels can be obtained (with lower margins) without annual activation.

For the machine environment, a safety module is required for the STO function.

To avoid the use of a safety module, the Restart function parameters must be part of the safety function.

Please refer to the description of advantages of the safety module.

**NOTE:** The table above is not sufficient to evaluate the PL of a PDS. The PL evaluation has to be done at the system level. The fitter or the integrator of the BDM (Basic Drive Module) has to do the system PL evaluation by including sensors data with numbers from the table above.

## Debounce Time and Response Time

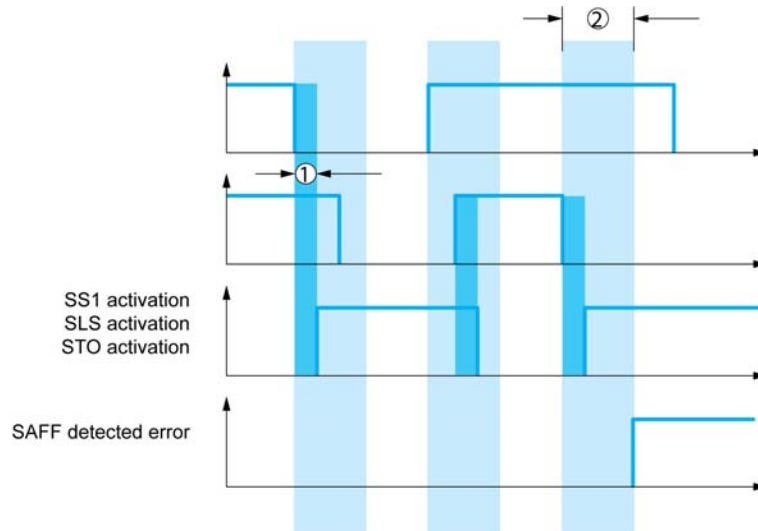
### Description

On the drive, there are 2 parameters to configure logic inputs for safety function (LI3, LI4, LI5, LI6).

The consistency of each pair of logical input is verified continuously.

**[LI debounce time]  $L_{idE}$** : A logical state difference between LI3/LI4 or LI5/LI6 is allowed during debounce time, otherwise a detected error is activated.

**[LI response time]  $L_{irE}$** : The logic input response time manages the safety function activation shift.



① : Logic input response time

② : Logic input debounce time



---

# Chapter 7

## Certified Architectures

---

### What Is in This Chapter?

This chapter contains the following topics:

Topic	Page
Introduction	76
Multi-drive with the Safety Module Type Preventa XPS AF - Case 1	77
Multi-drive with the Safety Module Type Preventa XPS AF - Case 2	78
Multi-drive Without the Safety Module	79
Single Drive with the Safety Module Type Preventa XPS AV - Case 1	80
Single Drive with the Safety Module Type Preventa XPS AV - Case 2	81
Single Drive with the Safety Module Type Preventa XPS AF - Case 1	82
Single Drive with the Safety Module Type Preventa XPS AF - Case 2	83
Single Drive According to IEC 61508 and IEC 60204-1 - Case 1	84
Single Drive According to IEC 61508 and IEC 60204-1 - Case 2	85
Single Drive According to IEC 61508 and IEC 62061 with Safety Function GDL	86

---

## Introduction

### Certified Architectures

**NOTE:** For certification relating to functional aspects, only the PDS(SR) (Power Drive System suitable for use in safety-related applications) will be considered, not the complete system into which it is integrated to help to ensure the functional safety of a machine or a system/process.

These are the certified architectures:

- Multi-drive with the Safety module type Preventa XPS AF - Case 1
- Multi-drive with the Safety module type Preventa XPS AF - Case 2
- Multi-drive without the Safety module
- Single drive with the Safety module type Preventa XPS AV - Case 1
- Single drive with the Safety module type Preventa XPS AV - Case 2
- Single drive with the Safety module type Preventa XPS AF - Case 1
- Single drive with the Safety module type Preventa XPS AF - Case 2
- Single drive according to IEC 61508 and IEC 60204-1 - Case 1
- Single drive according to IEC 61508 and IEC 60204-1 - Case 2

The safety functions of a PDS(SR) (Power Drive System suitable for use in safety-related applications) are part of an overall system.

If the qualitative and quantitative safety-related objectives determined by the final application require some adjustments to ensure safe use of the safety functions, the integrator of the BDM (Basic Drive Module) is responsible for these additional changes (for example, managing the mechanical brake on the motor).

Also, the output data generated by the use of safety functions (fault relay activation, error codes or information on the display, etc.) is not considered to be a safety-related data.



## Multi-drive with the Safety Module Type Preventa XPS AF - Case 1

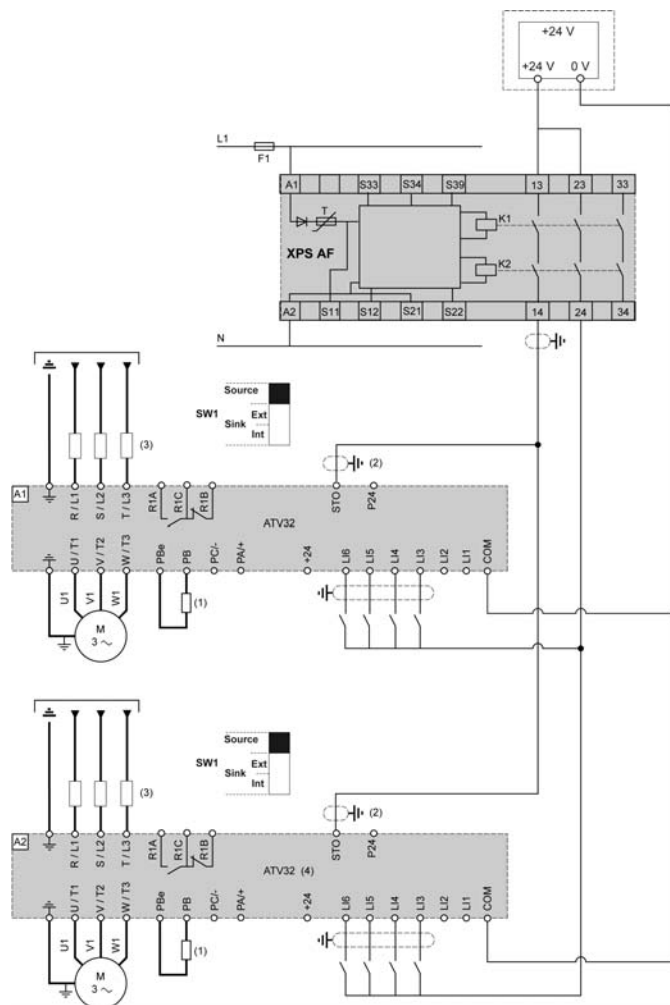
### Multi-drive with the Safety Module Type Preventa XPS AF According to EN 954-1, ISO 13849-1 and IEC 60204-1 (Machine)

The following configurations apply to the diagram:

- STO category 4, PL e/SIL3 Machine with Safety module type Preventa XPS AF or equivalent and LI3 set to STO
- SLS category 3, PL d/SIL2 or SS1 type B category 3 on LI5/LI6

Or

- STO category 4, PL e/SIL3 Machine with Safety module type Preventa XPS AF or equivalent and LI3 set to STO
- LI4 and LI5/LI6 not set to a safety function



(1) Braking resistor, if used, (2) Standardized coaxial cable, type RG174/U according to MIL-C17 or KX3B according to NF C 93-550, external diameter 2.54 mm / 0.09 in., maximum length 15 m / 49.21 ft. The cable shielding must be earthed, (3) Line choke, if used, (4) Multi-drives is possible with another drive (Example: ATV71 with PWR connection or Lexium servo drives)

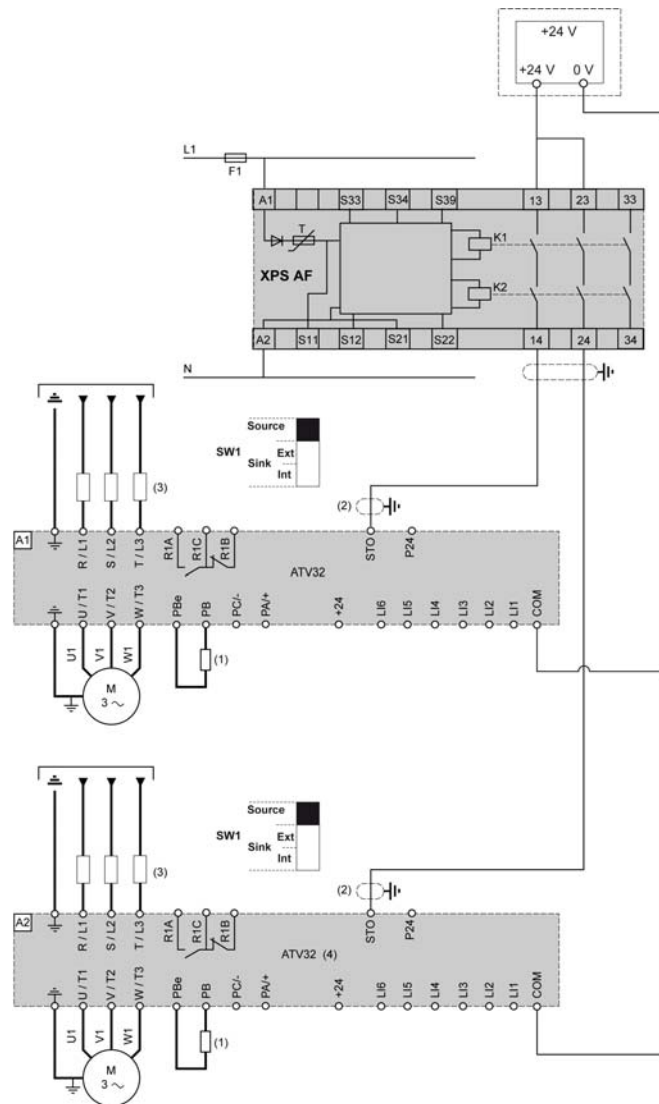
**NOTE:** For more information about the control terminal characteristics, please refer to the installation manual.

## Multi-drive with the Safety Module Type Preventa XPS AF - Case 2

### Multi-drive with the Safety Module Type Preventa XPS AF According to EN 954-1, ISO 13849-1 and IEC 60204-1 (Machine)

The following configurations apply to the diagram below:

- STO category 3, PL d/SIL2 Machine with Safety module type Preventa XPS AF or equivalent
- SLS category 3, PL d/SIL2 or SS1 type B category 3 on LI3/LI4 or LI5/LI6



(1) Braking resistor, if used, (2) Standardized coaxial cable, type RG174/U according to MIL-C17 or KX3B according to NF C 93-550, external diameter 2.54 mm / 0.09 in., maximum length 15 m / 49.21 ft. The cable shielding must be earthed, (3) Line choke, if used, (4) Multi-drives is possible with another drive (Example: ATV71 with PWR connection or Lexium servo drives).

**NOTE:** For more information about the control terminal characteristics, please refer to the installation manual.

## Multi-drive Without the Safety Module

### Multi-drive Without the Safety Module Type Preventa XPS AF According to IEC 61508

The following configurations apply to the diagram below:

- STO SIL2 on STO
- SLS SIL2 or SS1 type B SIL2 on LI3/LI4 or LI5/LI6

Or

- STO SIL2 on STO
- SLS or SS1 type B on LI3/LI4
- LI5/LI6 not set to a safety function

Or

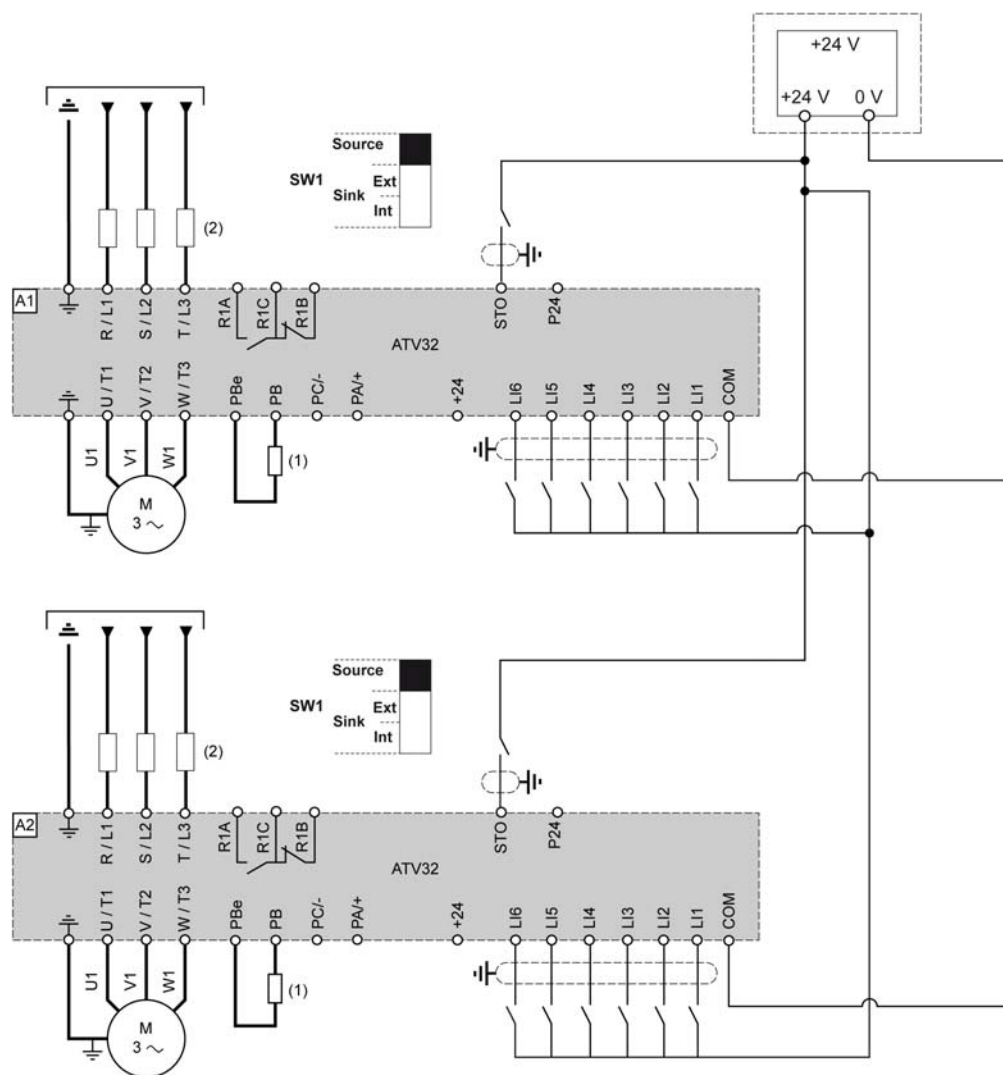
- STO SIL2 on STO
- LI3/LI4 and LI5/LI6 not set to a safety function

Or

- STO SIL3 on STO and LI3
- SLS SIL2 or SS1 type B SIL2 on LI5/LI6
- LI4 not set to a safety function

Or

- STO SIL3 on STO and LI3
- LI4 and LI5/LI6 not set to a safety function



(1) Braking resistor, if used, (2) Line chokes, if used.

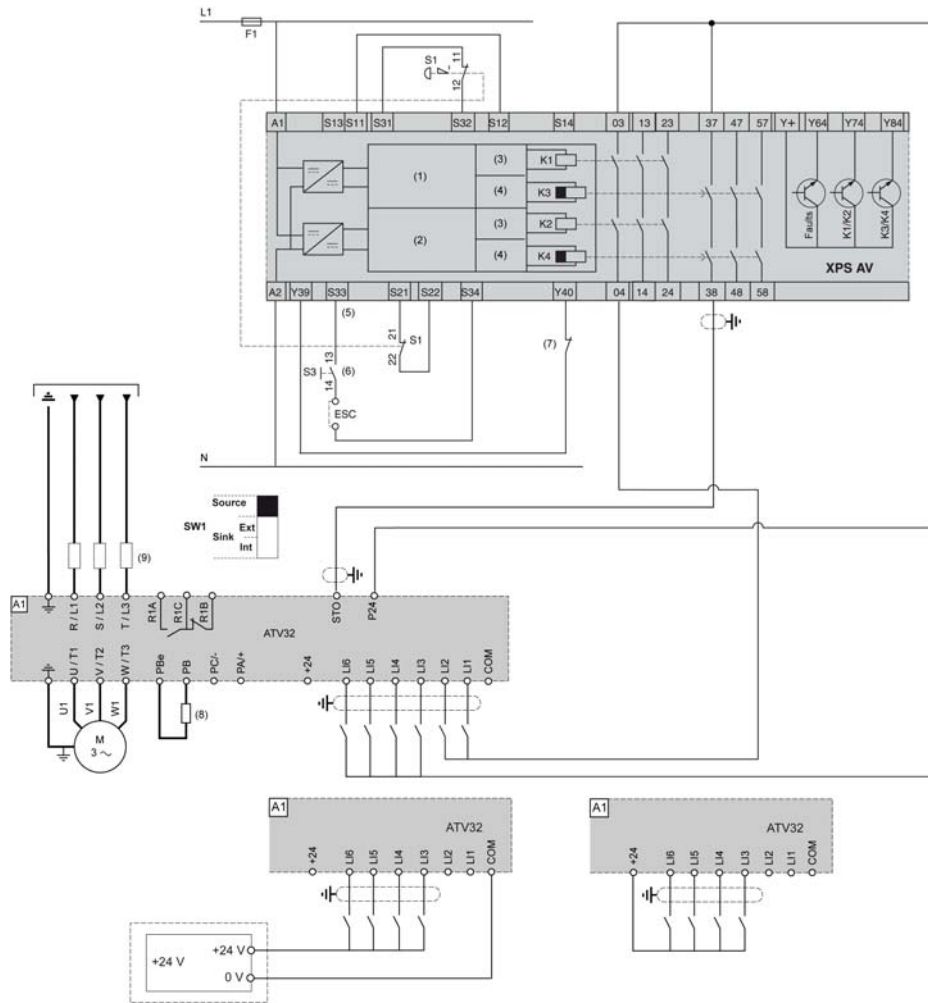
**NOTE:** For more information about the control terminal characteristics, please refer to the installation manual.

## Single Drive with the Safety Module Type Preventa XPS AV - Case 1

### Single Drive with the Safety Module Type Preventa XPS AV According to EN 954-1, ISO 13849-1 and IEC 60204-1 (Machine)

The following configurations apply to the diagram below:

- SS1 type C category 3, PL d/SIL2 on STO with Safety module type Preventa XPS AV or equivalent
- Or
- SS1 type C category 3, PL d/SIL2 on STO with Safety module type Preventa XPS AV or equivalent
  - SLS category 3, PL d/SIL2 or SS1 type B category 3 on LI3/LI4
  - LI5/LI6 not set to a safety function
- Or
- SS1 type C category 3, PL d/SIL2 on STO and LI3 with Safety module type Preventa XPS AV or equivalent
  - LI3/LI4 and LI5/LI6 not set to a safety function



(1) Channel 1 logic, (2) Channel 2 logic, (3) Output 1, (4) Output 2, (5) Emergency stop, (6) Start, (7) Time delay stop, (8) Braking resistor, if used, (9) Line chokes, if used

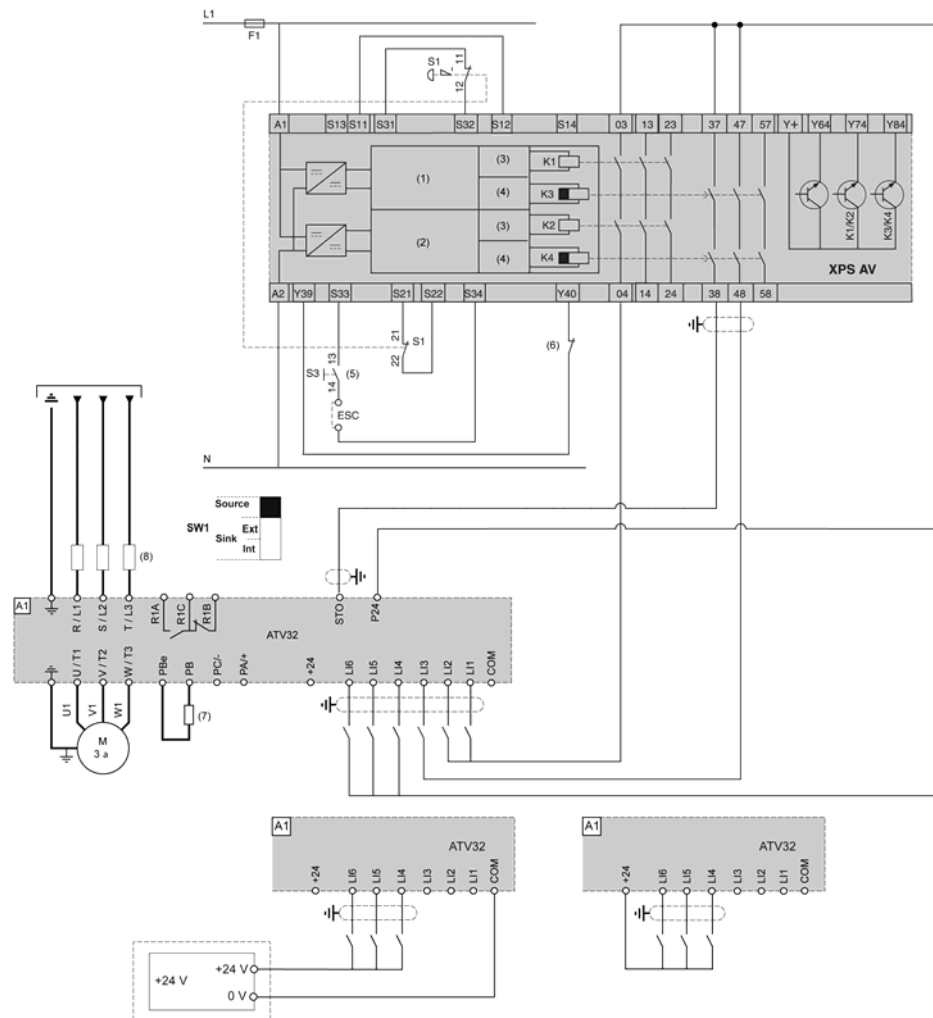
**NOTE:** For more information about the control terminal characteristics, please refer to the installation manual.

## Single Drive with the Safety Module Type Preventa XPS AV - Case 2

### Single Drive with the Safety Module Type Preventa XPS AV According to EN 954-1, ISO 13849-1 and IEC 60204-1 (Machine)

The following configurations apply to the diagram below:

- SS1 type C category 4, PL e/SIL3 on STO and LI3 with Safety module type Preventa XPS AV or equivalent
- SLS category 3, PL d/SIL2 or SS1 type B category 3 PL d/SIL2 on LI5/LI6
- LI4 not set to a safety function



(1) Channel 1 logic, (2) Channel 2 logic, (3) Output 1, (4) Output 2, (5) Emergency stop, (6) Time delay stop, (7) Braking resistor, if used, (8) Line chokes, if used.

**NOTE:** For more information about the control terminal characteristics, please refer to the installation manual.

## Single Drive with the Safety Module Type Preventa XPS AF - Case 1

### Single Drive with the Safety Module Type Preventa XPS AF According to EN 954-1, ISO 13849-1, IEC 62061 and 60204-1 (Machine)

The following configurations apply to the diagram below:

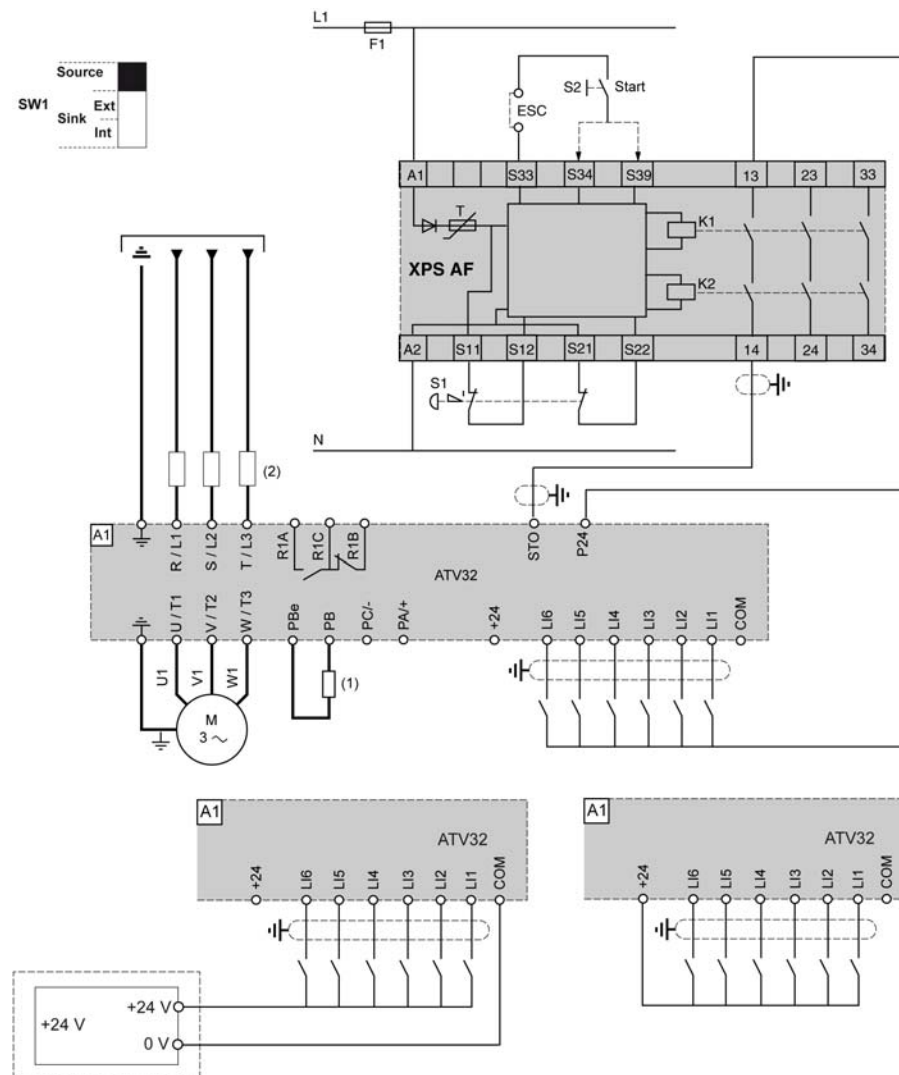
- STO category 3, PL d/SIL2 on STO with Safety module type Preventa XPS AF or equivalent
- SLS category 3, PL d/SIL2 or SS1 type B category 3 on LI3/LI4 or LI5/LI6

Or

- STO category 3, PL d/SIL2 on STO with Safety module type Preventa XPS AF or equivalent
- SLS category 3, PL d/SIL2 or SS1 type B category 3 on LI3/LI4
- LI5/LI6 not set to a safety function

Or

- STO category 3, PL d/SIL2 on STO with Safety module type Preventa XPS AF or equivalent
- LI3/LI4 and LI5/LI6 not set to a safety function



(1) Braking resistor, if used, (2) Line chokes, if used.

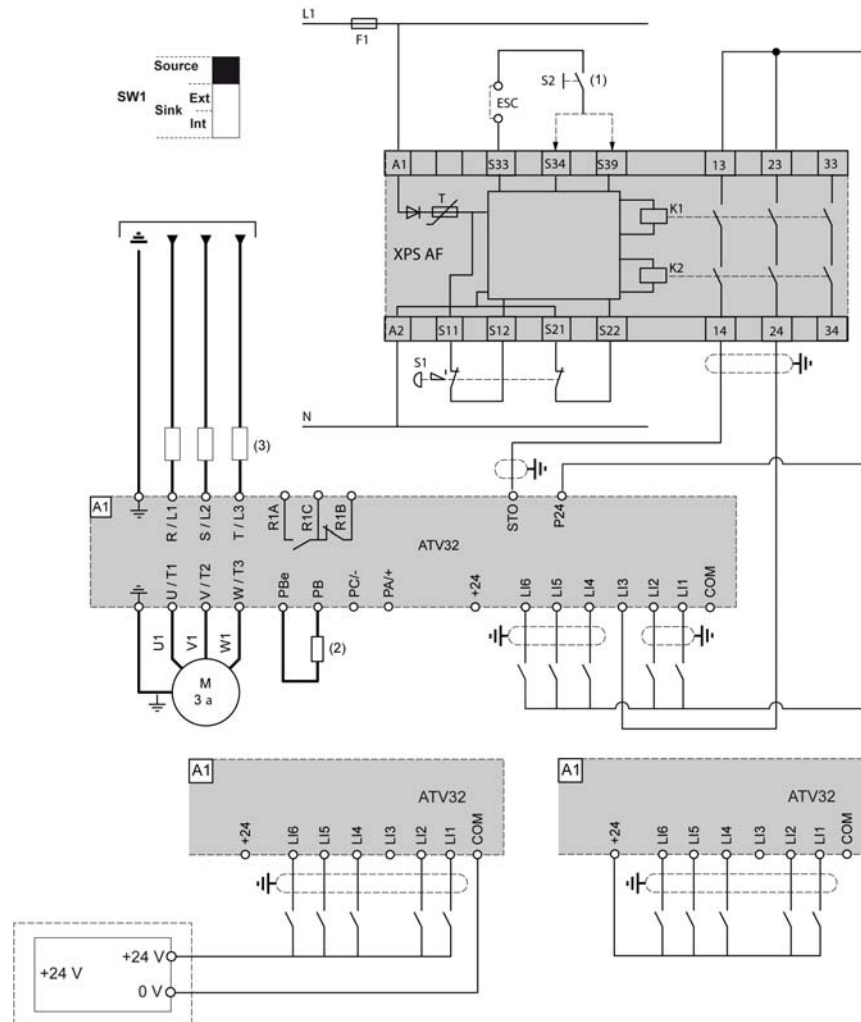
**NOTE:** For more information about the control terminal characteristics, please refer to the installation manual.

## Single Drive with the Safety Module Type Preventa XPS AF - Case 2

### Single Drive with the Safety Module Type Preventa XPS AF According to EN 954-1, ISO 13849-1, IEC 62061 and 60204-1 (Machine)

The following configurations apply to the diagram below:

- STO category 4, PL e/SIL3 on STO with Safety module type Preventa XPS AF or equivalent and LI3 set to STO
- SLS category 3, PL d/SIL2 or SS1 type B category 3 on LI5/LI6
- LI4 not set to a safety function



(1) Start, (2) Braking resistor, if used, (3) Line chokes if used.

**NOTE:** For more information about the control terminal characteristics, please refer to the installation manual.

## Single Drive According to IEC 61508 and IEC 60204-1 - Case 1

### Single Drive According to IEC 61508 and IEC 60204-1 Without Protection Against Supply Interruption or Voltage Reduction and Subsequent Rotation

The following configurations apply to the diagram below:

- STO SIL2 on STO
- STO or SLS SIL2 or SS1 type B SIL2 on LI3/LI4 or LI5/LI6

Or

- STO SIL2 on STO
- STO or SLS or SS1 type B on LI3/LI4
- LI5/LI6 not set to a safety function

Or

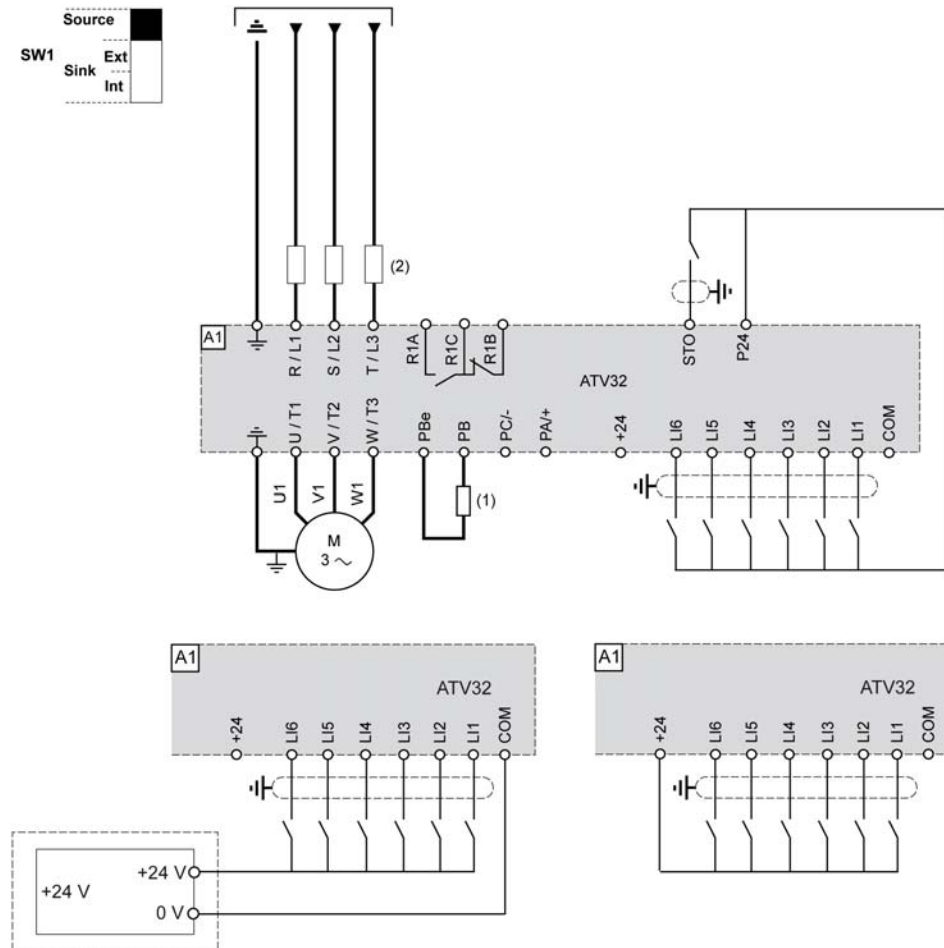
- STO SIL2 on STO
- LI3/LI4 and LI5/LI6 not set to a safety function

Or

- STO SIL3 on STO and LI3
- SLS SIL2 or SS1 type B SIL2 on LI5/LI6
- LI4 not set to a safety function

Or

- STO SIL3 on STO and LI3
- LI4 and LI5/LI6 not set to a safety function



(1) Braking resistor, if used, (2) Line chokes if used.

**NOTE:** For more information about the control terminal characteristics, please refer to the installation manual.



## Single Drive According to IEC 61508 and IEC 60204-1 - Case 2

### Single Drive According to IEC 61508 and IEC 60204-1 Without Protection Against Supply Interruption or Voltage Reduction and Subsequent Rotation

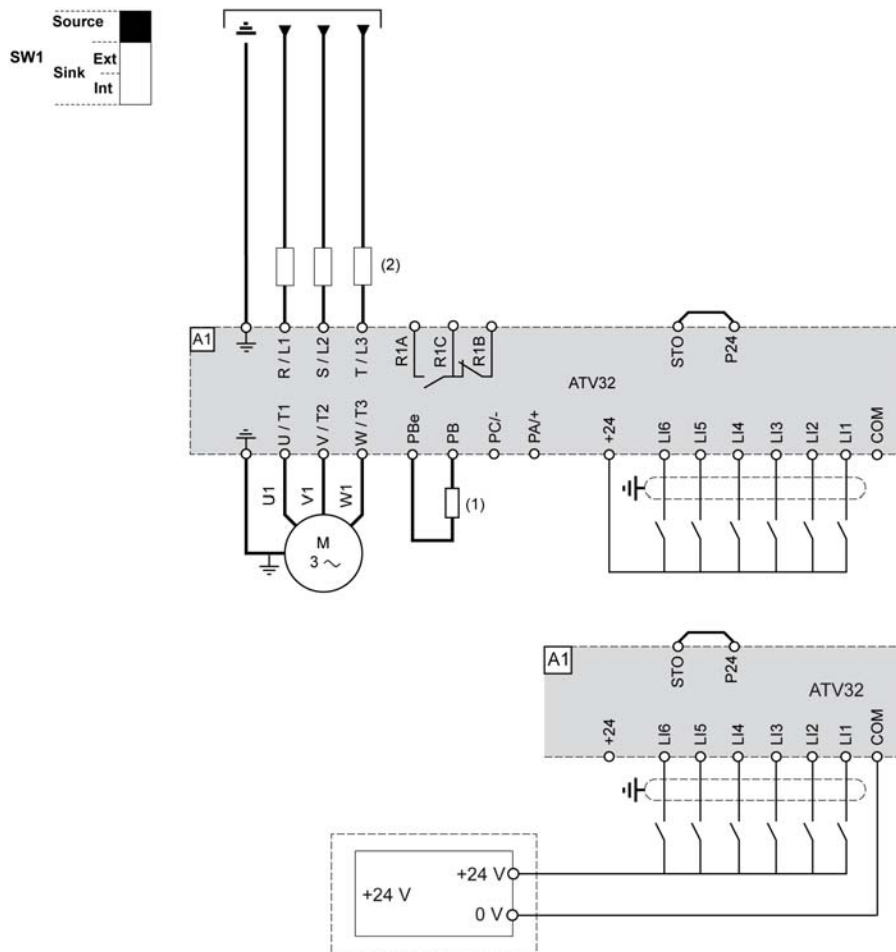
The following configurations apply to the diagram below:

- STO SIL2 on LI3 and LI4
- SLS SIL2 or SS1 type B SIL2 on LI5/LI6

Or

- STO SIL2 on LI3 and LI4
- LI5/LI6 not set to a safety function

### Wiring Diagram



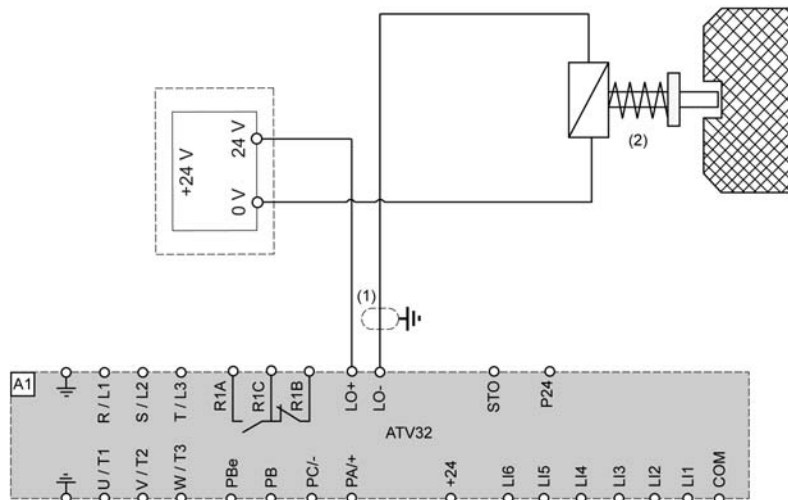
(1) Braking resistor, if used, (2) Line chokes, if used.

**NOTE:** For more information about the control terminal characteristics, please refer to the installation manual.

## Single Drive According to IEC 61508 and IEC 62061 with Safety Function GDL

### Certified Wiring Diagram

GDL category 2, PL c/SIL1 is applicable to the following wiring diagram.



- (1) Standardized coaxial cable, type RG174/U according to MIL-C17 or KX3B according to NF C 93-550, external diameter 2.54 mm / 0.09 in. maximum length 15 m / 49.21 ft. The cable shielding must be grounded
- (2) Guard door lock

---

# Chapter 8

## Commissioning

---

### What Is in This Chapter?

This chapter contains the following topics:

Topic	Page
Safety Functions Tab	88
Configure Safety Functions Panel	89
Visualization and Status of Safety Functions	94
Copying Safety Related Configuration from Device to PC and from PC to Device	95
Machine Signature	98

## Safety Functions Tab

### Introduction

To access the safety function configuration, click the **Safety Functions** tab. This screen is read-only, allowing you to see all current safety function configurations.

The **Safety Functions** tab provides access to:

- an outline of the safety function features available on the ATV32 (accessible online/offline)
- the status of all I/O in connected mode
- general information about the machine (online/offline).

It also provides access to the following dialog boxes:

- **Configuration**
  - **Configure** (only available in connected mode)
  - **Reset Configuration**
  - **Copy from DEVICE to PC**
  - **Copy from PC to DEVICE**
- **Password Configuration**
  - **Modify Password**
  - **Reset Password**

### Steps to Configure the Safety Functions

If...	Then ...
you are not in online mode	In the menu bar, click <b>Communication</b> → <b>Connect to Device</b> or click the <b>Connect to Device</b> icon
you are online mode	Click the <b>Configure</b> button in the <b>Safety Functions</b> tab.

Once connected:

Step	Action	Comment
1	Click the <b>Configure</b> button in the <b>Safety Functions</b> tab.	<p>A <b>Define Configuration Password</b> dialog box appears:</p> <ul style="list-style-type: none"> <li>• Type the new configuration password in <b>Enter New Password</b> box</li> <li>• Retype the new configuration password in <b>Confirm New Password</b> box.</li> <li>• Click <b>Ok</b></li> </ul> <p><b>NOTE:</b> Your password:</p> <ul style="list-style-type: none"> <li>• Should have only numeric value, choose the value between 1...9999.</li> <li>• Should not exceed more than 4 digits.</li> <li>• Should not have the value 0.</li> </ul> <p><b>Result:</b> Opens the <b>Configuration of Safety Functions</b> window.</p>

If...	Then ...
you have already defined the password	<p>type your safety function configuration password in <b>Enter Configuration Password</b> box, click <b>Ok</b>.</p> <p><b>Result:</b> Opens the <b>Configuration of Safety Functions</b> window.</p>

## Configure Safety Functions Panel

### Overview

The **Configuration of Safety Functions** panel includes the **Information**, **STO**, **SLS**, **SS1**, **SMS**, **GDL**, and **Input/Output** tabs.

### Information Tab

The **information** tab allows you to define and display product system information

Information filled in automatically by SoMove:

- **Date** (format depends on the PC local and linguistic options)
- **Device Type**
- **Drive Reference**

Information filled in manually:

- **Device Serial No** (number)
- **Machine Name**
- **Company Name**
- **End-User Name**
- **Comments**

### Safe Torque Off (STO) Tab

For more information about **STO** function, see STO description ([see page 18](#)).

For this function, only the associated set of inputs should be selected in the box. The parameter to be managed is: STOA.

Code	Name/Description	Factory Setting
<b>5 L 0</b>	<b>[Safe Torque Off]</b>	
<b>5 L 0 A</b>	<b>[STO function activation]</b>	<b>[No]</b>
<b>n o</b>	<b>[No: Not assigned]</b>	
<b>L 3 4</b>	[LI3 and LI4]: logical input 3/4 low state	
<b>L 5 6</b>	[LI5 and LI6]: logical input 5/6 low state	
<b>L 3 P W</b>	[LI3 and STO]: logical input 3/STO low state	
	This parameter is used to configure the channel used to trigger the STO function. If you set STOA=No, STO function is always active but just on STO input	

## Safely Limited Speed (SLS) Tab

For more information about **SLS** function, see SLS description ([see page 22](#)).

Code	Name/Description	Adj. Range	Factory Setting
<b>5 L 5</b>	<b>[Safely-Limited Speed]</b>		
<b>5 L 5 A</b> <b>no</b> <b>L 3 4</b> <b>L 5 6</b>	<b>[SLS function activation]</b> <b>[No]</b> : Not assigned [LI3 and LI4]: logical input 3/4 low state [LI5 and LI6]: logical input 5/6 low state This parameter is used to configure the channel used to trigger the SLS function.		<b>[No]</b>
<b>5 L 6</b>  <b>6 Y P 1</b> <b>6 Y P 2</b> <b>6 Y P 3</b> <b>6 Y P 4</b> <b>6 Y P 5</b> <b>6 Y P 6</b>	<b>[Safely Limited speed Type Element]</b>  This parameter is used to select the SLS type. <b>[Type1]</b> : SLS type 1 <b>[Type2]</b> : SLS type 2 <b>[Type3]</b> : SLS type 3 <b>[Type4]</b> : SLS type 4 <b>[Type5]</b> : SLS type 5 <b>[Type6]</b> : SLS type 6 Refer to function description to have information about behavior of different type.		<b>[Type1]</b>
<b>5 L 5 P</b>	<b>[SLS set point]</b> parameter  This parameter is only visible if SLT = Type2 or SLT = Type3 or SLT = Type 4 SLSP is used to set the maximum speed	0...599 Hz	0 Hz
<b>5 L 6 6</b>	<b>[SLS tolerance threshold]</b> parameter  The behavior of this parameter depends on the value of SLT, see above	0...599 Hz	0 Hz
SLwt	<b>[SLS Wait Time]</b> parameter  This parameter is used to set the maximum time for <b>5 L F r</b> to be greater than <b>5 5 5 L</b> . When SLwt is reached, STO function is triggered. Unit of this parameter is 1 ms. For example If the value is set to 2000 units, then the SLS wait time in second is: 2000*1 ms = 2 s This parameter can be modified only if SLT = Type 2 or SLT = Type 3 For SLS type 1 and SLS type 4, SLwt is always set to 0	0...5000 ms	0 Hz
<b>5 5 r 6</b>	<b>[SS1 ramp value]</b> parameter  The unit depends on the SSRU parameter. Use this parameter to set the value of the SS1 deceleration ramp. SS1 ramp = SSRT*SSRU example: If SSRT = 250 and SSRU = 1 Hz/s then the deceleration ramp = 25 Hz/s. This parameter is similar to the SS1 safety function, for more information see SS1 ( <a href="#">see page 40</a> ).	1 to 5990	1
<b>5 5 r u</b> <b>1 H</b> <b>1 0 H</b> <b>1 0 0 H</b>	<b>[SS1 ramp unit]</b> parameter  <b>[1 Hz/s]</b> <b>[10 Hz/s]</b> <b>[100 Hz/s]</b> This parameter is used to set the SSrt unit. This parameter is similar to the SS1 safety function configured, for more information see SS1 ( <a href="#">see page 40</a> ).		<b>[1 Hz/s]</b>
<b>5 5 6 6</b>	<b>[SS1 trip threshold]</b>  This parameter sets the tolerance zone around the deceleration ramp in which the frequency may vary. This parameter is similar to the SS1 safety function configured in another tab.	0...599 Hz	0 Hz
<b>5 5 5 L</b>	<b>[SLS/SS1 standstill level]</b> parameter  This parameter adjusts the frequency at which the drive should go into STO state at the end of the SS1 ramp. This parameter is similar to the SS1 safety function configured in another tab.	0...599 Hz	0 Hz

## Safe Stop 1 (SS1) Tab

For more information about **SS1** function, see SS1 description ([see page 20](#)).

Code	Name/Description	Adj. Range	Factory Setting
<b>5 5 1</b>	<b>[Safe Stop 1]</b>		
<b>5 5 1 A</b> <i>n a</i> <b>L 3 4</b> <b>L 5 6</b>	<b>[Safe Stop 1 Activation]</b> <b>[No]:</b> Not assigned [L13 and L14]: logical input 3/4 low state [L15 and L16]: logical input 5/6 low state These parameters are used to configure the channel used to trigger the SS1 function.		<b>[No]</b>
<b>5 5 r t</b>	<b>[SS1 ramp value]</b> The unit depends on the SSRU parameter. Use this parameter to set the value of the SS1 deceleration ramp. SS1 ramp = SSRT*SSRU example: If SSRT = 250 and SSRU = 1 Hz/s then the deceleration ramp = 25 Hz/s. This parameter is similar to the SLS safety function configured in another tab.	1 to 800	1
<b>5 5 r u</b> <b>1 H</b> <b>1 0 H</b> <b>1 0 0 H</b>	<b>[SS1 ramp unit]</b> <b>[1 Hz/s]</b> <b>[10 Hz/s]</b> <b>[100 Hz/s]</b> This parameter is used to set the SSRT unit. This parameter is similar to the SLS safety function configured in another tab.		<b>[1 Hz/s]</b>
<b>5 5 t t</b>	<b>[SS1 trip threshold]</b> parameter This parameter sets the tolerance zone around the deceleration ramp in which the frequency may vary. This parameter is similar to the SLS safety function configured,	0...599 Hz	0 Hz
<b>5 5 5 L</b>	<b>[SLS/SS1 standstill level]</b> parameter This parameter adjusts the frequency at which the drive should go into STO state at the end of the SS1 ramp. This parameter is similar to the SLS safety function configured in another tab.	0...599 Hz	0 Hz

## Safe Maximum Speed (SMS) Tab

For more information about **SMS** function, see SMS description ([see page 29](#)).

Code	Name/Description	Adj. Range	Factory Setting
<b>5 7 5</b>	<b>[Safe Maximum Speed]</b>		
<b>5 7 5 A</b> <i>n a</i> <b>Y E 5</b>	<b>[SMS Activation]</b> <b>[No]:</b> SMS function is not active. <b>[Yes]:</b> SMS function is active This parameter is used to configure the channel used to trigger the SMS function.		<b>[No]</b>
<b>5 7 L 5</b> <i>n a</i> <b>L 3 4</b>	<b>[SMS Assignment]</b> This parameter is used to select the safe maximum speed limit. <b>[No]: [SMS Low Limit] 5 7 L L</b> is selected as the safe maximum speed limit. [L13 and L14] <ul style="list-style-type: none"> <li>If logical inputs 3/4 are in low state (0), <b>[SMS Low Limit] 5 7 L L</b> is selected as the safe maximum speed limit.</li> <li>If logical inputs 3/4 are in high state (1), <b>[SMS High Limit] 5 7 L H</b> is selected as the safe maximum speed limit.</li> </ul>		<b>[NO]</b>
<b>L 5 6</b>	[L15 and L16] <ul style="list-style-type: none"> <li>If logical inputs 5/6 are in low state (0), <b>[SMS Low Limit] 5 7 L L</b> is selected as the safe maximum speed limit.</li> <li>If logical inputs 5/6 are high state (1), <b>[SMS High Limit] 5 7 L H</b> is selected as the safe maximum speed limit.</li> </ul>		
<b>5 7 L L</b>	<b>[SMS Low Limit]</b> This parameter is used to set the lower speed limit.	0...599 Hz	0 Hz
<b>5 7 L H</b>	<b>[SMS High Limit]</b> This parameter is used set the higher speed limit.	0...599 Hz	0 Hz

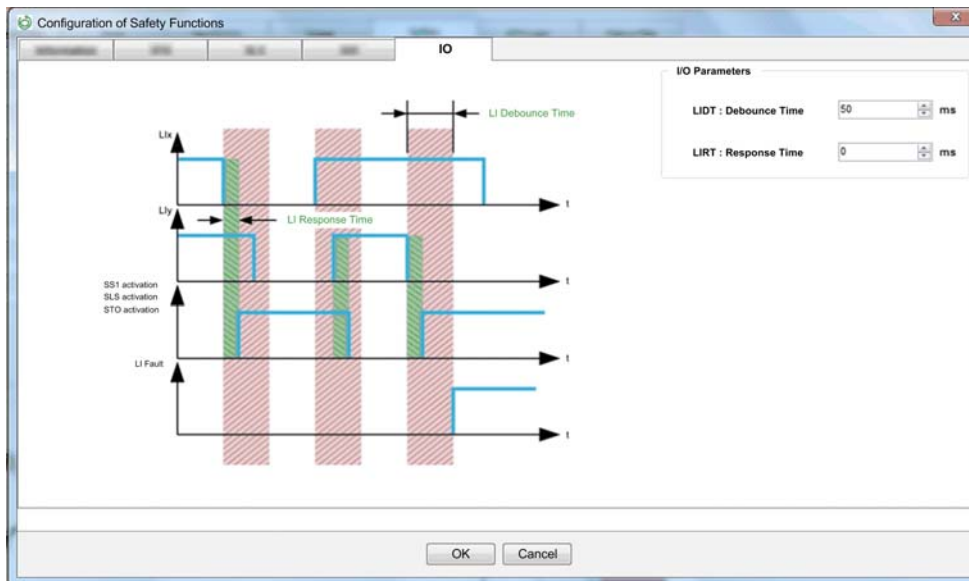
## Guard Door Locking (GDL) Tab

For more information about **GDL** function, see GDL description ([see page 31](#)).

Code	Name/Description	Adj. Range	Factory Setting
<b>G d L</b>	<b>[Guard Door Locking]</b>		
<b>G d L A</b>	<b>[GDL Assignment]</b>		<b>[No]</b>
<b>n o</b>	<b>[No]:</b> Guard door locking is not assigned		
<b>y e s</b>	<b>[Yes]:</b> Guard door locking is assigned <b>NOTE:</b> <b>G d L A</b> can be set to <b>[yes]</b> only if <b>L O 1</b> parameter is set to <b>[NO]</b> . This parameter is used to configure the channel used to trigger the GDL function.		
<b>G L L d</b>	<b>[GDL Long Delay]</b>	1...3600 s	1 s
	This parameter is used to set the long delay for triggering the safety function GDL. Maximum delay after STO function activation or normal deceleration ramp command to stop the machine. <b>NOTE:</b> GDL long delay should be greater than GDL short delay.		
<b>G L S d</b>	<b>[GDL Short Delay]</b>	1...3600 s	1 s
	This parameter is used to set the short delay for triggering the safety function GDL. Maximum delay after SS1 ramp to stop the machine.		

## Input/Output Configuration

The figure shows the **Input/Output** tab:



Code	Name/Description	Adj. Range	Factory Setting
<b>i o</b>	<b>[Input/Output]</b>		
<b>L i d t</b>	<b>[LI debounce time]</b>	0...2000 ms	50
	In most cases, the 2 logical inputs in a pair used for a safety function (LI3-LI4 or LI5-LI6 or STO-LI3) will not be 100% synchronized. They will not change state at the same time. There is a small delta between the 2 logical input transitions. <b>L i d t</b> is the parameter used to set this delta. If the 2 logical inputs change state with a delta lasting less than <b>L i d t</b> it is considered to be simultaneous transition of the logical inputs. If the delta lasts longer than <b>L i d t</b> , the drive considers the logical Inputs are no longer synchronized and detected error is triggered.		
<b>L i r t</b>	<b>[LI response time]</b>	0...50 ms	0
	This parameter is used to filter short impulses on the logical input (only for LI3-LI4 or LI5-LI6, STO not concerned). Some applications send short impulses on the line to test it. This parameter is used to filter these short impulses. Commands are only taken into account if the duration is longer than <b>L i r t</b> . If the duration is shorter the drive considers that there is no command: the command is filtered.		



---

## Password Configuration - Modify Password

This function allows you to modify the configuration password in the drive.

To modify the configuration password

Step	Action
1	In <b>Safety Functions</b> tab, click the <b>Modify Password</b> button <b>Result:</b> opens the <b>Modify Configuration Password</b> dialog box.
2	In the <b>Modify Configuration Password</b> dialog box: <ul style="list-style-type: none"><li>● Type the existing configuration password in <b>Enter Current Password</b> box</li><li>● Type the new configuration password in <b>Enter New Password</b> box</li><li>● Retype the new configuration password in <b>Confirm New Password</b> box</li><li>● Click <b>Ok</b></li></ul> <b>NOTE:</b> The password typed in <b>Enter New Password</b> box and <b>Confirm New Password</b> box should be same. <b>NOTE:</b> Your password: <ul style="list-style-type: none"><li>● Should contain only numeric value, choose the value between 1...9999.</li><li>● Should not exceed more than 4 digits.</li><li>● Should not have the value 0.</li></ul> <b>Result:</b> modifies the configuration password.

## Password Configuration - Reset Password

If you cannot remember the configuration password defined in the drive, you need to know the universal password to reset the drive. To obtain this password, contact your Schneider Electric contact.

After this operation, the device reverts to no defined configuration password and the session is automatically closed.

However, the function configuration remains unchanged.

## Reset Configuration

This function is used to reset the configuration of the safety function to the factory settings.

To access the function, click the **Reset Configuration** button in the **Safety Functions** tab.

First enter the password, then confirm your choice.

After this action, all safety-related parameters are set to factory settings.

## Visualization and Status of Safety Functions

Code	Name/Description
<b>SRF -</b>	<b>[MONIT. SAFETY] menu - Visible on SoMove and keypad</b>
<b>StFr</b>	<b>[Stator Frequency]</b> Displays the estimated stator frequency in Hz
<b>StoS</b>	<b>[STO status]</b> Status of the Safe Torque Off safety function
<b>IdLE</b>	<b>[Idle]:</b> STO not in progress
<b>Sto</b>	<b>[Safe torque off]:</b> STO in progress
<b>FLt</b>	<b>[Fault]:</b> STO in detected error
<b>SLS</b>	<b>[SLS status]</b> Status of the Safely limited speed safety function
<b>no</b>	<b>[Not config]:</b> SLS not configured
<b>IdLE</b>	<b>[Idle]:</b> SLS not in progress
<b>Ss1</b>	<b>[Safe stop 1]:</b> SLS ramp in progress
<b>Sto</b>	<b>[Safe torque off]:</b> SLS safe torque off request in progress
<b>FLt</b>	<b>[Fault]:</b> SLS in detected error
<b>wait</b>	<b>[wait]:</b> SLS waiting for activation
<b>Start</b>	<b>[Started]:</b> SLS in transient state
<b>SMS</b>	<b>[SMS status]</b> Status of the Safe Maximum Speed safety function
<b>no</b>	<b>[Not Set]:</b> SMS is not configured
<b>SMS</b>	<b>[Active]:</b> SMS is in active state
<b>Flt</b>	<b>[Internal Err.]:</b> SMS in internal detected error
<b>Flt</b>	<b>[Max Speed]:</b> SMS in overspeed detected error
<b>GDL</b>	<b>[GDL status]</b> Status of the guard door locking safety function
<b>no</b>	<b>[Not Set]:</b> GDL is not configured
<b>oFF</b>	<b>[Inactive]:</b> GDL is in inactive state
<b>Std</b>	<b>[Short delay]:</b> GDL in Short delay state.
<b>Ld</b>	<b>[Long delay]:</b> GDL in long delay state.
<b>on</b>	<b>[Active]:</b> GDL is in active state.
<b>FLt</b>	<b>[Internal Err.]:</b> GDL in internal detected error.
<b>SS1</b>	<b>[SS1 status]</b> Status of the Safe Stop 1 safety function
<b>no</b>	<b>[Not config]:</b> SS1 not configured
<b>IdLE</b>	<b>[Idle]:</b> SS1 not in progress
<b>Ss1</b>	<b>[Safe stop 1]:</b> SS1 ramp in progress
<b>Sto</b>	<b>[Safe torque off]:</b> SS1 Safe Torque Off request in progress
<b>FLt</b>	<b>[Fault]:</b> SS1 in detected error
<b>SRF -</b>	<b>[MONIT. SAFETY] menu - Visible ONLY on SoMove</b>
<b>SfE</b>	<b>[Safety drive status]</b> Safety function status of the drive
<b>Std</b>	<b>[Standard drive]:</b> Standard product without safety function configured
<b>SFE</b>	<b>[Safety drive]:</b> product with at least 1 safety function configured

## Copying Safety Related Configuration from Device to PC and from PC to Device

### Overview

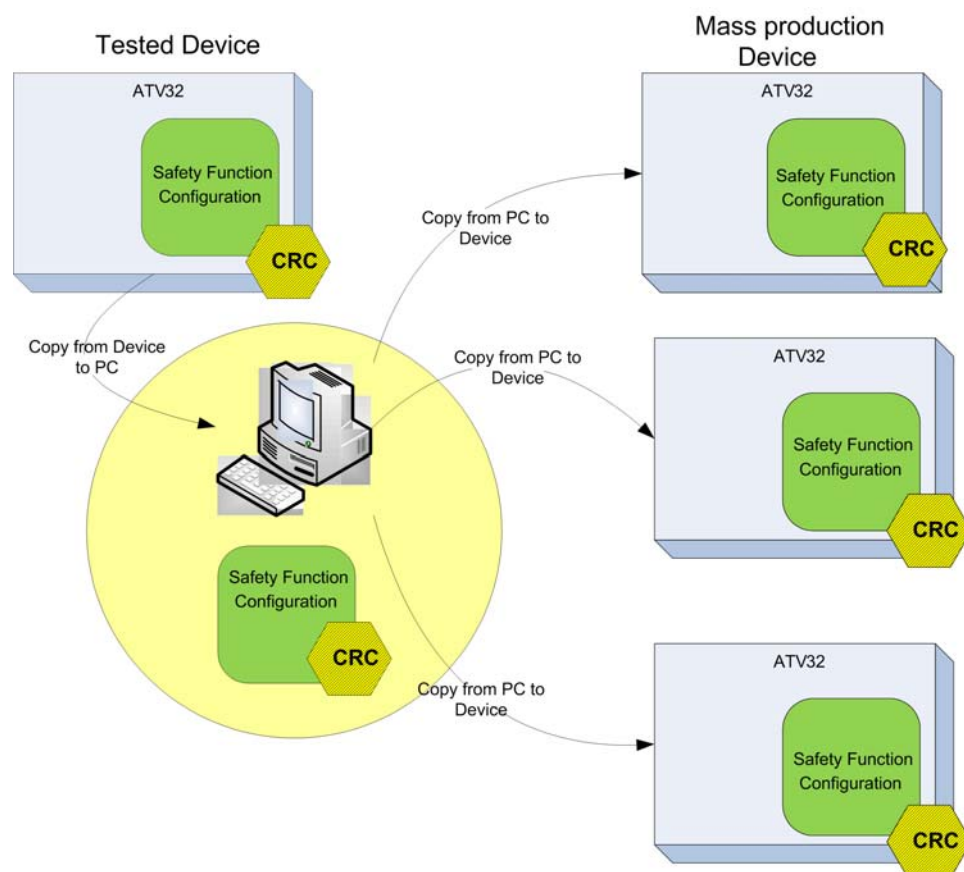
This feature is used to copy/paste the tested safety-related configuration in several ATV32 drives.

This feature allows you to:

- identify unique safety-related configuration on the drive
- copy the safety-related configuration file from ATV32 drive to PC.
- copy the safety-related configuration file from PC to ATV32 drives

### Architecture

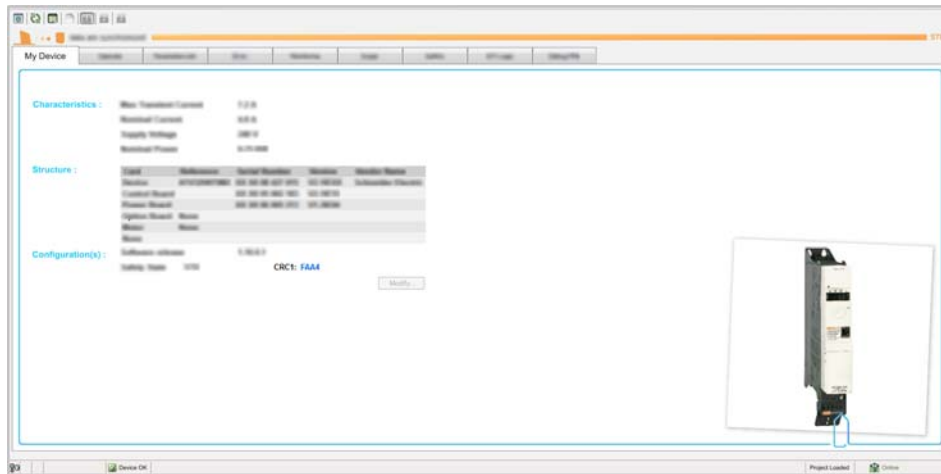
The figure shows the architecture for copying the safety-related configuration from device to PC and PC to device:



## Identify Unique Safety Related Configuration


The identification of the safety-related configuration is done by using CRC, calculated using all safety-related parameters

You can get the CRC value from **My Device** tab. Note down the CRC value after the drive is fully tested.



## Copy from Device to PC

To copy a configuration file from device to PC:

Step	Action
1	<p>In the <b>Safety Functions</b> tab, click the <b>Copy from DEVICE to PC</b> button</p>  <p><b>Result:</b> opens the <b>Copy from Device to PC</b> dialog box.</p>
2	<p>Type the configuration password in <b>Enter configuration Password</b> box, click <b>Ok</b>.</p> <p><b>Result:</b> Displays the CRC1 value</p>
3	<p>Note the CRC1 value, click <b>Save</b>.</p> <p><b>Result:</b> opens the <b>Save File...</b> window.</p>
4	<p>In the <b>Save File..</b> Window:</p> <ul style="list-style-type: none"> <li>● Select/create the folder</li> <li>● Type the name of the file in <b>File name</b> box.</li> <li>● Click <b>Save</b>,</li> </ul> <p><b>Result:</b> <b>Safety-related Parameters Successfully saved</b> message appears on the screen, which confirms that the file has been saved successfully in the desired path.</p>

### NOTE:

You cannot copy the configuration from device to PC if:

- the motor is powered.
- a function block is in **Run** state.
- the function **Forced Local** is active.
- a safety function is triggered.

## Copy from PC to Device



### **⚠ WARNING**

#### UNEXPECTED EQUIPMENT OPERATION

- Connect the PC using point-to-point connection.
- **Copy from PC to Device** operation should be performed only by qualified IEC61800-5-2 personnel
- Test the safety function configuration after copying the configuration from PC to device.

**Failure to follow these instructions can result in death, serious injury, or equipment damage.**

To copy a file from PC to device:

Step	Action
1	<p>In the <b>Safety Functions</b> tab, click the <b>Copy from PC to DEVICE</b> button</p>  <p><b>Result:</b> <b>Warning</b> box appears, read the following instruction before proceeding with copy from PC to device operation.</p>
2	 <p>Click <b>Ok</b></p> <p><b>Result:</b> Opens the <b>Open File...</b> window.</p>
3	<p>In the <b>Open File...</b> Window</p> <ul style="list-style-type: none"> <li>● Select <b>.sfty</b> file.</li> <li>● Click <b>Open</b></li> </ul> <p><b>Result:</b> Displays the CRC1 value</p>
4	<p>Verify whether the CRC1 value is same as the CRC1 value noted while copying the configuration from device to PC if both CRC1 values are same then click <b>Continue</b>.</p> <p><b>Result:</b> Opens the <b>Copy from PC to Device</b> dialog box.</p>
5	<p>Type the password (49157) in the <b>Enter copy password</b> box, click <b>Ok</b>.</p> <p><b>Result:</b> Configuration is successfully copied from PC to device. A commissioning test must be done on the safety function.</p>

#### NOTE:

You cannot copy the configuration from PC to device if:

- the motor is powered.
- a function block is in **Run** state.
- the function **Forced Local** is active.
- the configuration of the safety function is already present in the device

## Machine Signature

### Overview

The purpose of the test is to verify proper configuration of the defined safety functions and test mechanisms and to examine the response of dedicated monitoring functions to explicit input of values outside the tolerance limits.

The test must cover all drive-specific Safety configured monitoring functions and global Safety integrated functionality in ATV32.

### Condition Prior to Acceptance Test

- The machine is wired up correctly.
- All safety-related devices such as protective door monitoring devices, light barriers, and emergency stop switches are connected and ready for operation.
- All motor parameters and command parameters must be correctly set on the drive.

### Acceptance Test Process

The acceptance test is configured with SoMove software.

Step	Action	Comment
1	Select the <b>Device</b> → <b>Safety Function</b> → <b>Machine Signature</b> menu and follow the five steps below	
2	<b>General Information</b> To add this step to the final report select <b>Add to the machine signature</b> Click <b>Next</b> .	The information displayed here corresponds to the <b>Identification</b> section in the <b>Safety Functions</b> tab.
3	<b>Function Summary</b> To add a function to the final report select <b>Add</b> to the machine signature Click <b>Next</b>	This step is composed of sub-steps. Each sub-step relates to one of the following safety functions: <ul style="list-style-type: none"><li>• STO</li><li>• SLS</li><li>• SS1</li></ul> In a function, sub-step the function diagram and parameters values are displayed. A text box allows you to enter additional text in this step.
4	<b>I/O Summary</b> To add a function to the final report select <b>Add</b> to the machine signature Click <b>Next</b>	The information displayed here corresponds to the <b>Logic Input summary</b> folder of the <b>Safety Functions</b> tab: <ul style="list-style-type: none"><li>• The logic input that is assigned to a safety function are displayed in red and show the related safety function</li><li>• The logic input that is not assigned to a safety function do not show any assignment and are displayed in green</li></ul>
5	<b>Test</b> To add a function to the final report select <b>Add</b> to the machine signature Click <b>Next</b>	In this step, you tick the box when you have tested the safety functions to confirm that you have verified the correct behavior of the functions for all devices.
6	<b>Key</b> Click <b>Finish</b> to create the report	The checksum of the safety-related configuration is displayed as it is calculated for transmission to the connected device when you click <b>Apply</b> . This allows you to compare the checksum value with the one displayed in the identification menu on the graphic display terminal

---

## Acceptance Report

SoMove creates the acceptance report.

This function provides a final report when one or several safety functions have been configured and verified. This report is deemed to be a machine signature and certifies that all the safety functions are operational. The acceptance report has been added as an optional document to be printed to a printer or to a PDF file.

**If the drive configuration is modified (not only applicable on the safety related parameters), you must repeat the acceptance test.**





---

# Chapter 9

## Services and Maintenance

---

### What Is in This Chapter?

This chapter contains the following topics:

Topic	Page
Maintenance	102
Power and MCU Replacement	103
Changing Machine Equipment	104

---

## Maintenance

### Overview

By way of preventive maintenance, the Safety functions must be activated at least once a year. The drive power supply must be turned off and then on again before carrying out this preventive maintenance. The drive logic output signals cannot be considered to be safety-related signals. Install interference suppressors on all inductive circuits near the drive or coupled to the same circuit (relays, contactors, solenoid, valves, etc.).

**NOTE:** For more product information, see the installation manual and programming manual on [www.schneider-electric.com](http://www.schneider-electric.com).

---

## Power and MCU Replacement

### Overview

You can replace the MCU (Motor Control Unit) part (APP + HMI card) and the power part.

Depending on the drive configuration (safety function active or not), the drive response will differ.

If you replace the power and you keep your MCU, you won't lose the configuration of the safety functions but you need to repeat the Acceptance Test to avoid incorrect wiring or incorrect behavior of the safety function.

If you replace the MCU you will lose your safety-related configuration. You need to reinstall your Configuration on the new MCU and then repeat the Acceptance Test.

**NOTE:** For more product information, see the installation manual and programming manual [www.schneider-electric.com](http://www.schneider-electric.com).

---

## Changing Machine Equipment

### Overview

If you need to change any part of the drive system (Motor, Emergency stop, etc.) you must repeat the Acceptance Test.

**NOTE:** For more product information, see the installation manual and programming manual [www.schneider-electric.com](http://www.schneider-electric.com).

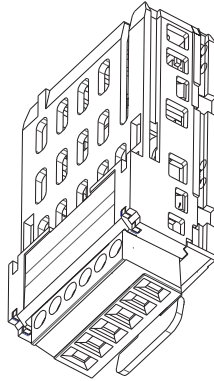






EAV4353401

# Altivar 320 / Altivar 32 Speed monitoring VW3A3620



## DANGER

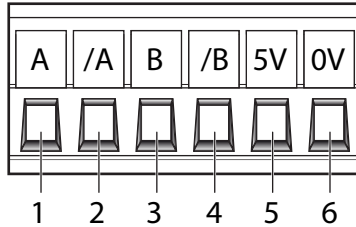
### HAZARD OF ELECTRIC SHOCK, EXPLOSION, OR ARC FLASH

- Only appropriately trained persons who are familiar with and understand the contents of this manual and all other pertinent product documentation and who have received safety training to recognize and avoid hazards involved are authorized to work on and with this drive system. Installation, adjustment, repair and maintenance must be performed by qualified personnel.
- The system integrator is responsible for compliance with all local and national electrical code requirements as well as all other applicable regulations with respect to grounding of all equipment.
- Many components of the product, including the printed circuit boards, operate with mains voltage. Do not touch. Use only electrically insulated tools.
- Do not touch unshielded components or terminals with voltage present.
- Motors can generate voltage when the shaft is rotated. Prior to performing any type of work on the drive system, block the motor shaft to prevent rotation.
- AC voltage can couple voltage to unused conductors in the motor cable. Insulate both ends of unused conductors of the motor cable.
- Do not short across the DC bus terminals or the DC bus capacitors or the braking resistor terminals.
- Before performing work on the drive system:
  - Disconnect all power, including external control power that may be present.
  - Place a "Do Not Turn On" label on all power switches.
  - Lock all power switches in the open position.
  - Wait 15 minutes to allow the DC bus capacitors to discharge. The DC bus LED is not an indicator of the absence of DC bus voltage that can exceed 800 Vdc.
  - Measure the voltage on the DC bus between the DC bus terminals using a properly rated voltmeter to verify that the voltage is < 42 Vdc.
  - If the DC bus capacitors do not discharge properly, contact your local Schneider Electric representative.
- Install and close all covers before applying voltage.

**Failure to follow these instructions will result in death or serious injury.**

Electrical equipment should be installed, operated, serviced, and maintained only by qualified personnel. No responsibility is assumed by Schneider Electric for any consequences arising out of the use of this product.

© 2016 Schneider Electric. All Rights Reserved.

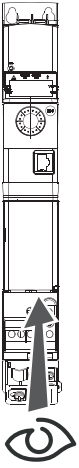


Maximum wire size: 1.5 mm<sup>2</sup> (AWG 16)

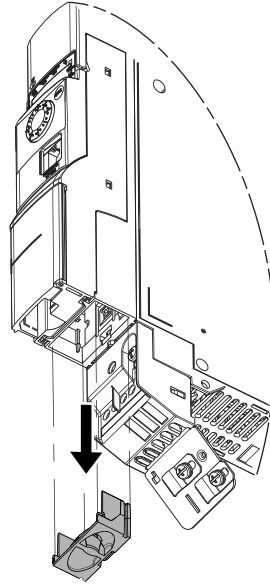
Maximum tightening torque: 0.25 Nm (2.21 lb.in)

Pin	Signal	Function	Electrical characteristics
1	A	Incremental Logic inputs	RS422 inputs <ul style="list-style-type: none"> <li>• Maximum resolution: 3600 pulse/rev</li> <li>• Maximum frequency: 250 kHz</li> <li>• Nominal input voltage: 5 Vdc</li> </ul>
2	/A		
3	B		
4	/B		
5	5V	Encoder power supply	<ul style="list-style-type: none"> <li>• +5 Vdc (Maximum 5.5 Vdc)</li> <li>• Maximum current: 200 mA</li> </ul>
6	0V		

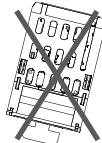
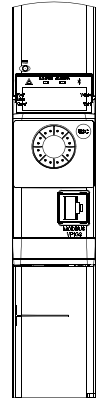




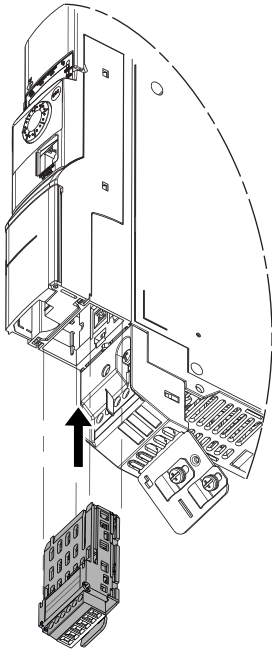
1)



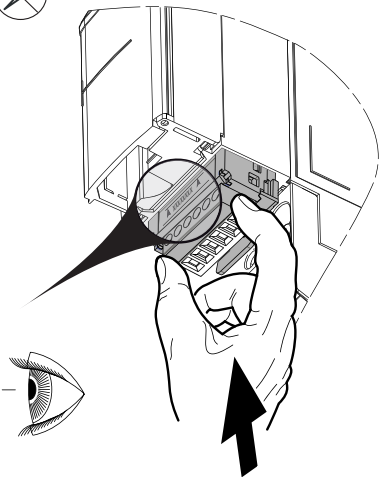
2)



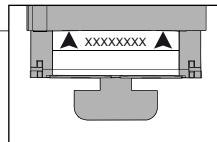
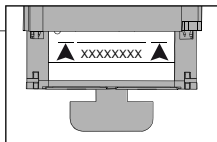
3)

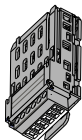
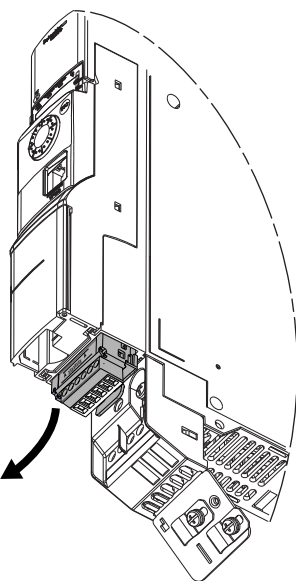
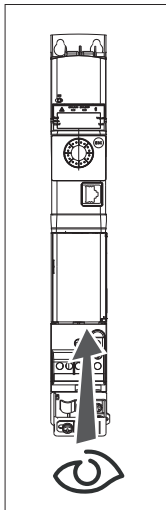


4)

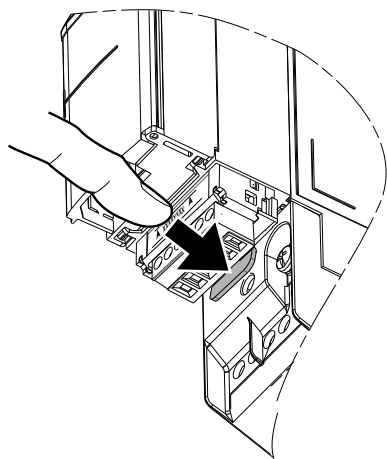


5)





1)



2)

