

Kontakt.io Smart Badge

User Manual



Introduction and Maintenance

The device is ready to be used in an 'out of the box' manner.

The device is ready to perform as soon as it is programmed and assembled.

Smart Badge constantly broadcasts Bluetooth signals for tracking purposes.

Smart Badge constantly scans for Infrared signals for location tracking purposes.

In case of possible malfunctioning, users are advised to contact technical support to get assistance and replacement of devices not working and still under warranty. Contact support at:

support@kontakt.io

Physical characteristics

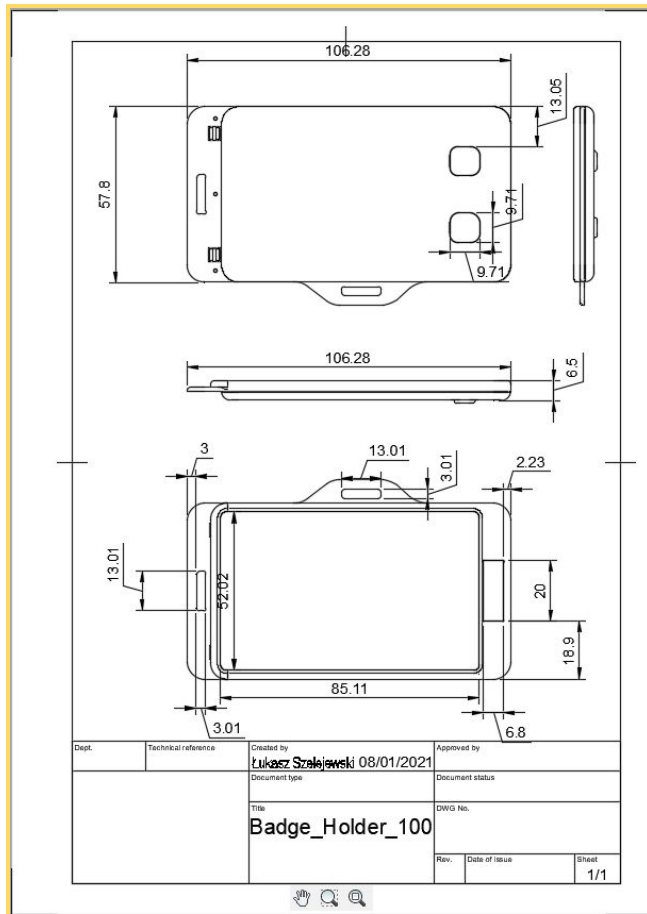
The manufacturer and device name are included on the original box the device arrives in.

Size of the device: 106,28 mm x 57,80 mm; 6,50 mm.

Device is equipped with 2 board mounted buttons.

Device casing is factory-sealed and cannot be opened.

Device comes in a dedicated reopenable card holder.



Usage

- Smart Badge is designed to be used as a neck-wearable device for people.
- Smart Badge has a hole in the holder to hang it on a lanyard.
- Smart Badge with Smart Badge casing allows to slide in a standard employee badge/key card.
- Long button press allows to turn off the badge. Activation of it works in an opposite manner

Features

- Technology in device:
 - a) nRF52832 Chip
 - b) IR receiver
 - c) LIS2DH/LIS3DH accelerometer (motion and orientation detection)

- d) Temperature sensor
- e) 2x button
- Connectivity
 - o Bluetooth v4.2 BR/EDR
 - o Bluetooth 5.0 capable
 - o Range up to 30 meters
- Environmental Requirements
 - Operation temperature 0°C~55 °C
 - Operation humidity 10%~90% - non condensing
- Over-the-Air beacon update & Cloud management
- Beacon broadcasting
- IR scanning for room level tracing
- Environmental sensing - temperature
- Motion detection
- User buttons

WARNING

Smart Badge contains electronic elements and a battery (model: CP224147) which should be properly disposed of. If a beacon needs to be disposed of, please contact the manufacturer technical support first.

FCC Caution

This device complies with part 15 of applicable FCC Rules. Its operation is subject to the following two conditions: (1) this device may not cause harmful interference, and (2) this device must accept any interference received, including interference that may cause undesired operation. Any changes or modifications not expressly approved by the party responsible for compliance could void the user's authority to operate the equipment.

NOTE: This equipment has been tested and found to comply with the limits for a Class B digital device, pursuant to Part 15 of the FCC Rules. These limits are designed to provide reasonable protection against harmful interference in a residential installation. This equipment generates, uses and can radiate radio frequency energy and, if not installed and used in accordance with the instructions, may cause harmful interference to radio communications. However, there is no guarantee that interference will not occur in a particular installation. If this equipment does

cause harmful interference to radio or television reception, which can be determined by turning the equipment off and on, the user is encouraged to try to correct the interference by one or more of the following measures:

- Reorient or relocate the receiving antenna.
- Increase the separation between the equipment and receiver.
- Connect the equipment into an outlet on a circuit different from that to which the receiver is connected. Consult the dealer or an experienced radio/TV technician for help.

The device has been evaluated to meet general RF exposure requirements. The device can be used in portable exposure conditions without restriction.