

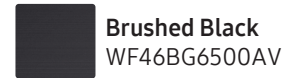
# WF46BG6500AV

# SAMSUNG

## 4.6 cu. ft. Large Capacity AI Smart Dial Front Load Washer with Auto Dispense and Super Speed Wash



### Available Color



### Features

- Auto Dispense System
- Super Speed Wash
- AI Smart Dial
- MultiControl™
- ENERGY STAR® Most Efficient
- Shallow Closet-Depth Fit<sup>1</sup>
- Large 4.6 cu. ft. Capacity
- Flexible Installation
- Wi-Fi Connectivity<sup>2</sup>
- Steam
- Antimicrobial Technology<sup>3</sup>
- Self Clean+
- Premium Tempered Glass Door
- Vibration Reduction Technology+
- Swirl+ Drum Interior
- ADA Compliant<sup>4</sup>
- Direct Drive Motor
- 1200 RPM Maximum Spin Speed
- Internal Water Heater
- 24 Total Washing Cycles
- 17 Options

### Convenience

- Child Lock
- Dispenser Trays: Main Wash, Softener, Bleach, Auto Detergent, Auto Softener

### Ratings



CEE Tier 3  
 IMEF = 3.1  
 IWF = 2.9  
 95 kWh/yr

### Electrical Requirements

120 V / 60 Hz  
 15 Amps

### Specifications

#### 24 Total Washing Cycles:

Normal, Heavy Duty, Bedding, Permanent Press, Delicates, Activewear, Wool, Towels, Eco Cold, Rinse + Spin, Self Clean+, Small Load, Colors, Power Rinse, Spin Only, Outdoor, Denim, Super Speed, Steam Sanitize, Steam Allergen, Steam Normal, Power Steam, Steam Whites, Steam Bulky

#### 17 Additional Washing Options:

Presoak, Extra Rinse, My Cycles, Delay End, Smart Control, Super Speed, Dose per Wash, Dose per Rinse, Child Lock, Detergent Concentration Level, Softener Concentration Level, AI Pattern, Alarm, Calibration, Wi-Fi, Language, Factory Reset

#### 5 Temperature Settings:

Extra Hot, Hot, Warm, Cold, Tap Cold

#### 7 Spin Settings:

Extra High, High, Medium, Low, Extra Low, No Spin, No Drain

#### 5 Soil Settings:

Extra Heavy, Heavy, Normal, Light, Extra Light

#### Warranty

One (1) Year Parts and Labor  
 Three (3) Years Stainless Steel Drum (Part Only)  
 Ten (10) Years DD Motor (Part Only)

#### Product Dimensions & Weight (WxHxD)

Dimensions: 27" x 38<sup>3</sup>/<sub>4</sub>" x 31<sup>3</sup>/<sub>8</sub>"  
 Weight: 200.6 lbs

#### Shipping Dimensions & Weight (WxHxD)

Dimensions: 29<sup>3</sup>/<sub>8</sub>" x 42<sup>3</sup>/<sub>8</sub>" x 34<sup>1</sup>/<sub>8</sub>"  
 Weight: 205 lbs

Washer	Model #	UPC Code
Brushed Black	WF46BG6500AV	887276659794
<b>Matching Electric Dryer</b>		
Brushed Black	DVE46BG6500V	887276660073
<b>Matching Gas Dryer</b>		
Brushed Black	DVG46BG6500V	887276660172

Optional Accessories	Model #	UPC Code
Brushed Black Pedestal	WE402NV	887276310145
Brushed Black Riser	WE272NV	887276197630
MultiControl™ Kit and Stacking Kit	SKK-8MC	887276597959

<sup>1</sup> Designed to fit a 39" installation depth.

<sup>2</sup> Requires wireless network, Samsung account and Samsung SmartThings App. The Samsung SmartThings App supports Android OS 4.0 (ICS) or later which is optimized for Samsung smartphones (Galaxy S and Galaxy Note series). This app also supports iOS 7 or later for iPhone models. Samsung SmartThings App available in App Store and Play Store.

<sup>3</sup> Antimicrobial treatment does not protect users or other items against bacteria, viruses, germs, or other disease organisms.

<sup>4</sup> ADA Compliant when using 27" wide riser. (Riser model codes: WE272NV, WE272NW, WE272NC)

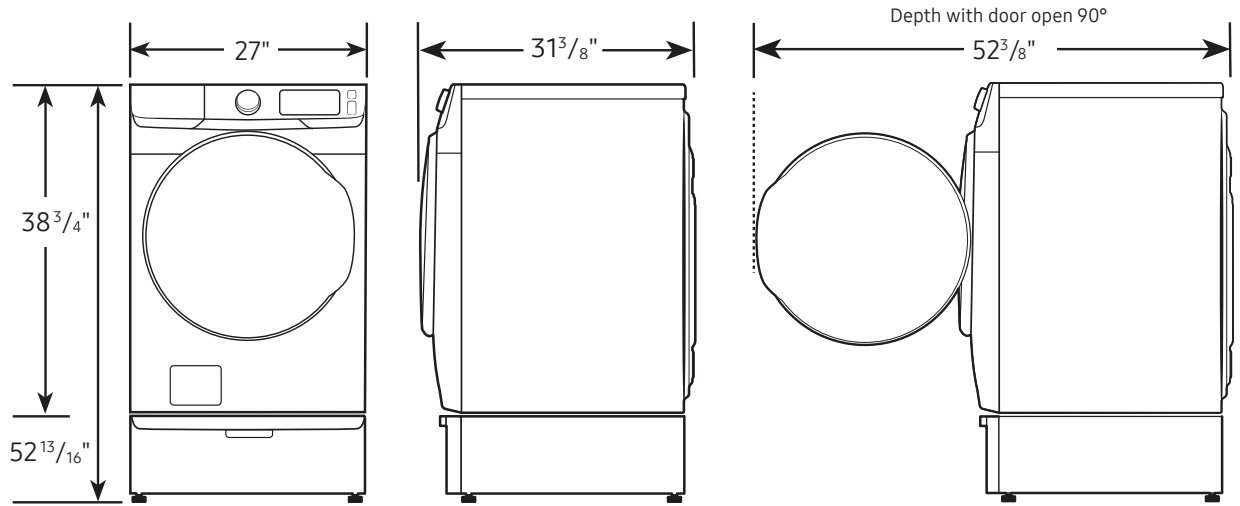
# WF46BG6500AV

# SAMSUNG

## 4.6 cu. ft. Large Capacity AI Smart Dial Front Load Washer with Auto Dispense and Super Speed Wash

### Dimensions

Required dimensions for installation with pedestal:

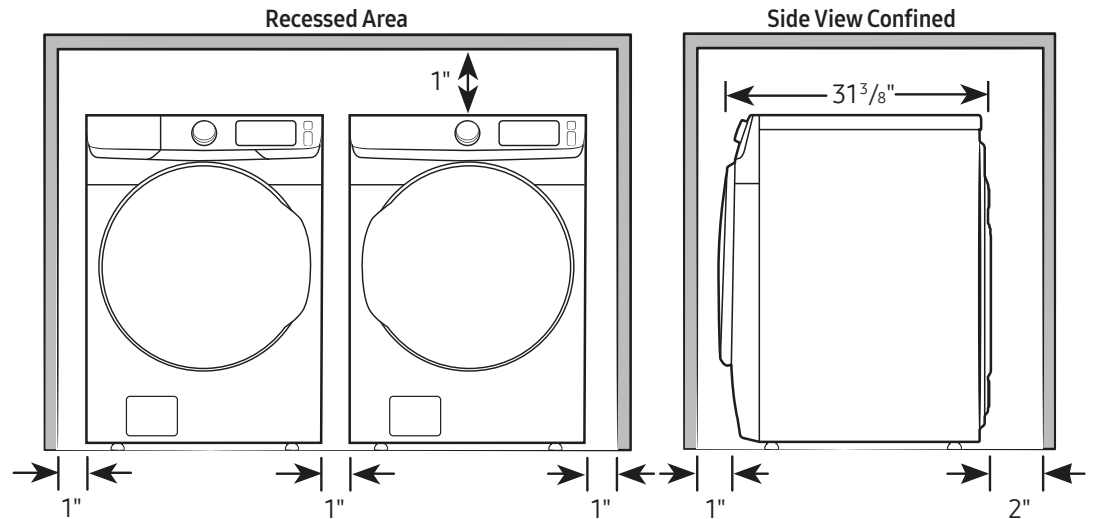


### Installation Specifications – Side-by-Side

If the washer and dryer are installed together or the dryer alone, the closet front must have two unobstructed air openings for a combined minimum total area of 72-inch<sup>2</sup>. Your washer alone does not require a specific air opening.

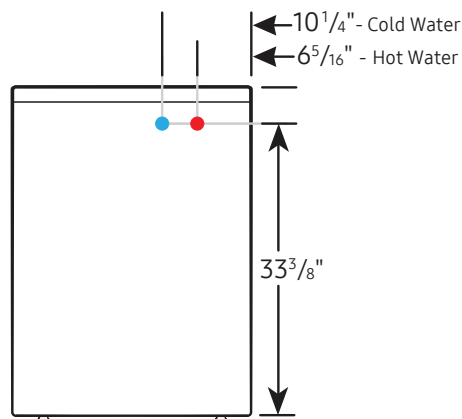
#### Alcove or closet installation

Minimum clearance for closet and alcove installations:



### Connection Dimensions

Back view of washer



#### LEGEND:

- Cold Water Connection
- Hot Water Connection

Actual color may vary. Design, specifications, and color availability are subject to change without notice. Non-metric weights and measurements are approximate.

©2022 Samsung Electronics America, Inc., 85 Challenger Road, Ridgefield Park, NJ 07660. Tel: 800-SAMSUNG.samsung.com. Samsung is a registered trademark of Samsung Electronics Co., Ltd.

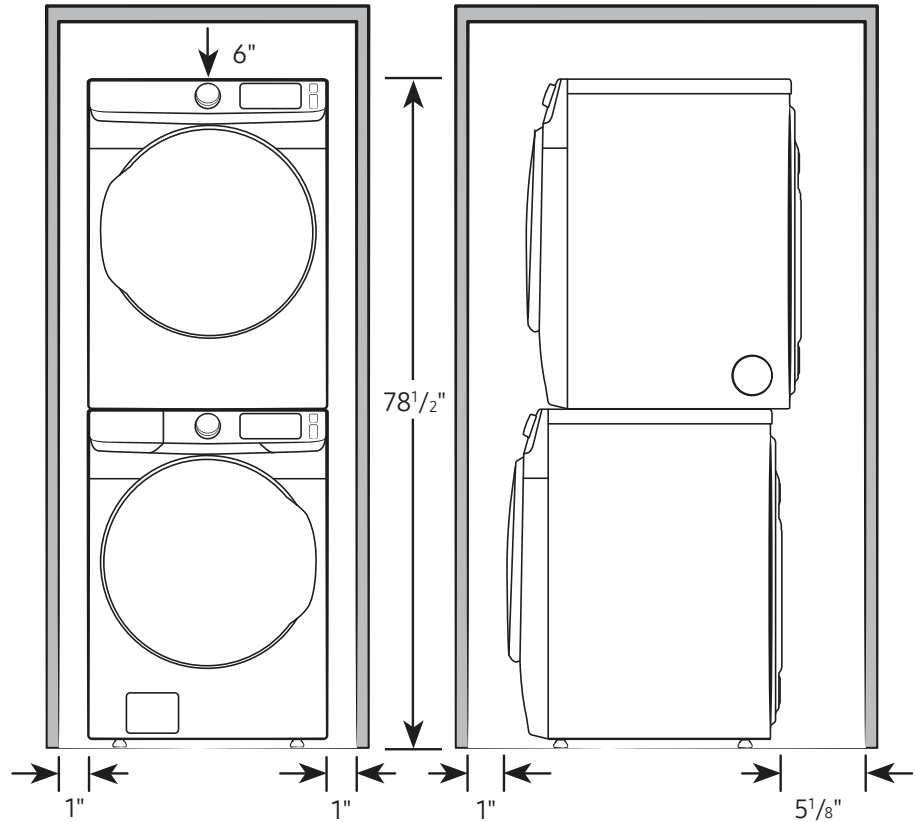
WF46BG6500AV

SAMSUNG

4.6 cu. ft. Large Capacity AI Smart Dial Front Load Washer  
with Auto Dispense and Super Speed Wash

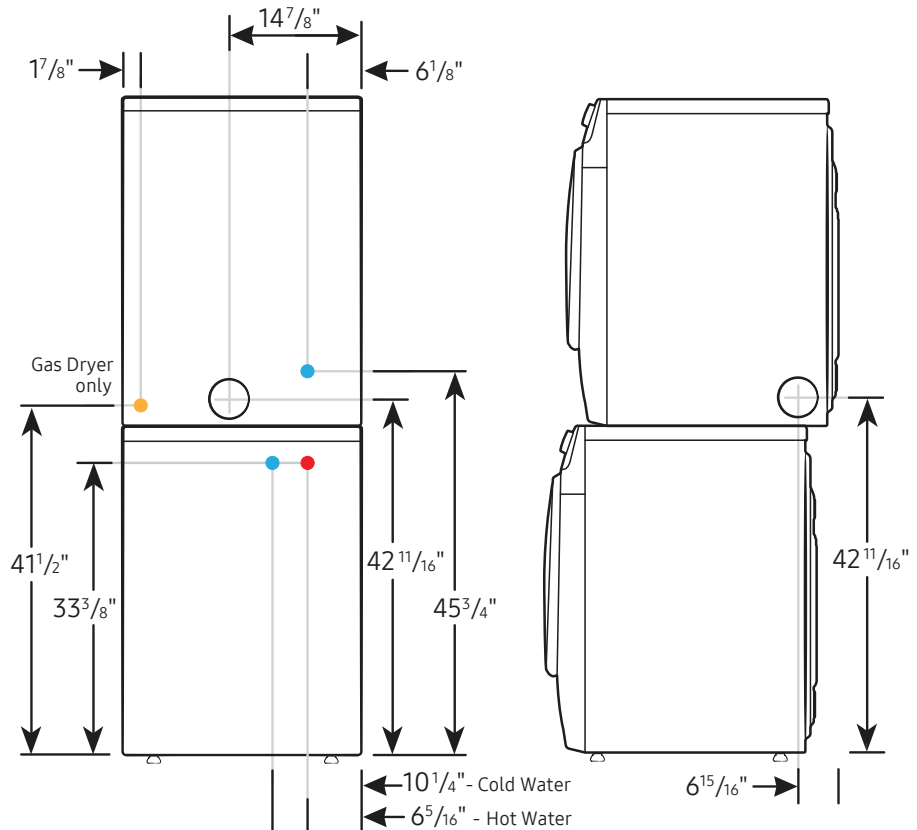
Installation Specifications – Stacked Pair

Clearances indicated are for stacked pairs. The closet front must have two unobstructed air openings for a combined minimum total area of 72-inch<sup>2</sup>.



Connection Dimensions

Back and side views of stacked pair



- LEGEND:
- Cold Water Connection
  - Hot Water Connection
  - Gas Connection

Actual color may vary. Design, specifications, and color availability are subject to change without notice. Non-metric weights and measurements are approximate.

©2022 Samsung Electronics America, Inc., 85 Challenger Road, Ridgefield Park, NJ 07660. Tel: 800-SAMSUNG.samsung.com. Samsung is a registered trademark of Samsung Electronics Co., Ltd.