

Aquascape[®]

ULTRAKLEAN[™] POND FILTER

**Efficiently traps dirt
and debris and eliminates
green water**

For Models:

- 2000 (Item #95053)
- 3500 (Item #95054)





ULTRAKLEAN™ POND FILTER

Thank you for choosing the UltraKlean™ Pond Filter. At Aquascape, our goal is to supply our customers with the best-valued products in water gardening. We hope you enjoy your purchase. Thank you for choosing Aquascape. *Your Paradise. Our Passion.®*



3 Year Warranty

The UltraKlean™ Pond Filter is guaranteed for three years from date of purchase. Proof of purchase required. Warranty does not cover damage resulting from negligent handling, misuse or lack of reasonable maintenance or care. Warranty is valid against defects due to material and the company's workmanship only. The sole obligation shall be to replace the defective unit with a suitable replacement unit. Units should be checked for proper operation prior to returning as defective. Aquascape Inc. or its affiliates are not liable for loss or damage of any nature or kind, whether arising out of or from the use of the product, defective or not defective. The warranty does not cover the UV lamp or Quartz Sleeve which may need to be replaced to optimize performance. See our Maintenance section for instructions on care and installing replacement parts.

Contact Us

For more information about our company or products, please visit our website at www.aquascapeinc.com or call (US) 1-866-877-6637 (CAN) 1-866-766-3426.

Table of Contents

Introduction	3
Safety Information	3
Installation	4
Operation and Maintenance	7
Troubleshooting	11
Contents and Spare Parts	12



VISIT OUR WEBSITE



DOWNLOAD A FREE COPY OF OUR CATALOG

Introduction

The Aquascape UltraKlean™ Pond Filter with UV and integrated electronic bulb-saver adjustment provides pond owners with optimum water conditions and crystal-clear pond water. The unique design utilizes small plastic UltraKlean™ BioBalls™ instead of sponges, maximizing efficient mechanical and biological filtration and minimizing maintenance on the

filter. The UltraKlean's simple-to-use cleaning feature allows for the unit to be backwashed in less than five minutes without opening the canister or getting your hands dirty.

This instruction manual will guide both the installation of your filter and the recommended maintenance procedures to ensure long-term effectiveness.

Safety Information



WARNING: Risk of electric shock –
This filter has not been approved for use in swimming pool or marine areas.



WARNING: To provide continued protection against risk of electric shock, connect to properly grounded, ground fault circuit interrupter (GFCI) outlets only, using the following guidelines:

- (A) This filter is weatherproof, but it is not designed to be submersed in the water.
- (B) Have a qualified electrician install a properly grounded receptacle outlet, acceptable for outdoor use and protected from snow and rain. If possible locate the outlet or filter so the 20 ft. filter cord will reach the outlet without an extension cord.
- (C) Inspect cord for damage prior to use.
- (D) If an extension cord is required, make sure it is rated for outdoor use.
- (E) Any wiring of pumps should be performed by a qualified electrician to maintain warranty, user-safety, and code-compliance.
- (F) To reduce risk of electrical shock, all wiring and junction connections should be made per local codes. Requirements may vary depending on usage and location.

- (G) The power cable should be protected at all times to avoid being cut or punctured.
- (H) Never handle power cords with wet hands.
- (I) Unplug filter at receptacle outlet when not in use.
- (J) Do not remove cord and strain relief. Do not connect conduit to filter.
- (K) Do not use power cable to lift the filter.



WARNING: UV SAFETY – A small LED indicator on the control panel will glow when the filter is completely assembled and the UV light is turned on.



CAUTION: Never override the internal UV safety switch when the filter is disassembled as this could activate the UV light. Direct exposure to UV light can damage eyes and skin.

UltraKlean™ Pond Filter Specs

Model Number	2000	3500
Item Number	#95053	#95054
Average Pond Size Recommendation	2,000 US gallons	3,500 US gallons
Maximum Flow Rate	2,700 GPH	5,200 GPH
Minimum Flow Rate	1,000 GPH	2,000 GPH
Recommended Pumps	AquaForce® Pumps: 1000, 1800 & 2700; AquaJet® 1300 & 2000; Ultra™ Pump 1100, 1500, & 2000	AquaForce® Pumps: 2700, 3600 & 5200; Ultra™ Pump 2000
UV Wattage	14 W	28 W
Power Cord Length	20 ft	20 ft
Discharge Hose Diameter	1", 1.25", 1.5"	1", 1.25", 1.5"

UltraKlean™ Pond Filter Specifications

- Input Voltage: 120V AC
- Input Frequency: 60 Hz
- For outdoor or indoor use
- Thermally protected
- This filter has been evaluated for use with water only

Installation

- Use only in fully assembled state, and make sure that all clips securing the filter top to the base are completely snapped down into the closed position before turning on the pump. *See page 6 for more information.*
- The UV lamp and quartz sleeve are fragile. Please inspect for any signs of damage prior to installing, and check to make sure quartz sleeve is threaded tightly.

NOTE: Do not touch UV lamp with bare hands as the oil from skin may damage the bulb performance. Make sure there is no moisture inside the quartz sleeve or on the bulb prior to operating. Inspect area around the ballast for any water that may have collected and remove.



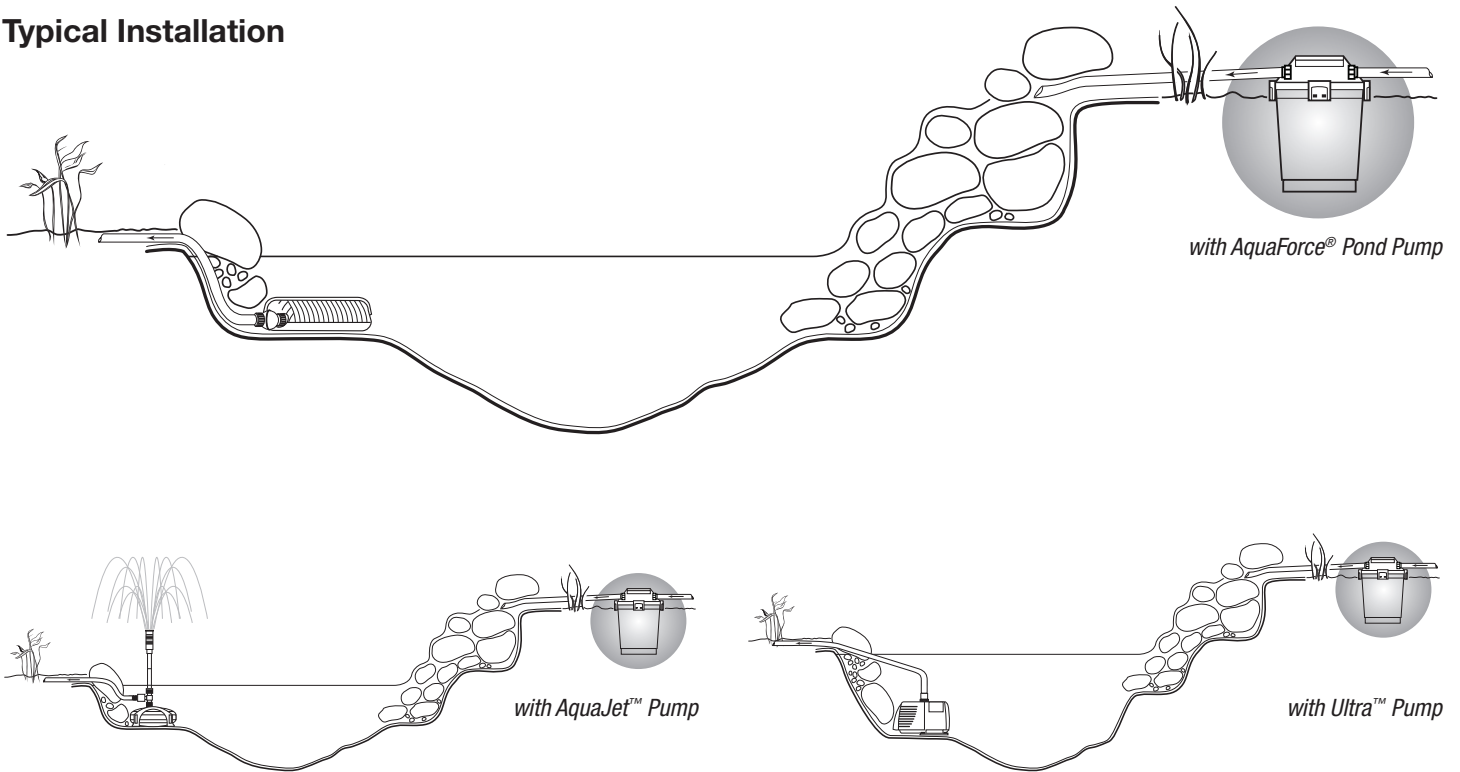
- The filter is weatherproof, but it is not designed to be submerged into the pond. Submerging the Pond Filter could cause electric shock and will void the product warranty.

- If located in a cold freezing climate, remove Pond Filter in winter months. Drain the filter completely and store in a frost-free location.
- Do not filter hazardous materials or liquids such as oil, saltwater or organic solvents.
- Do not block or restrict the filter discharge. *See page 7 for more information.*
- Products returned must be cleaned, sanitized, or decontaminated as necessary prior to shipment. This will ensure that employees will not be exposed to health hazards in handling said material. All applicable laws and regulations shall apply.

IMPORTANT: Aquascape, Inc. is not responsible for losses, injury, or death resulting from a failure to observe these safety precautions or misuse/abuse of filters, pumps, and other equipment.



Typical Installation



IMPORTANT! It is recommended that the pump not be positioned in the deepest area of the pond. This will protect the fish by preventing the pond from completely draining in the case of a leak in the plumbing or filter. Bricks or stones can be used, if needed, to raise the pump up from the bottom of the pond.



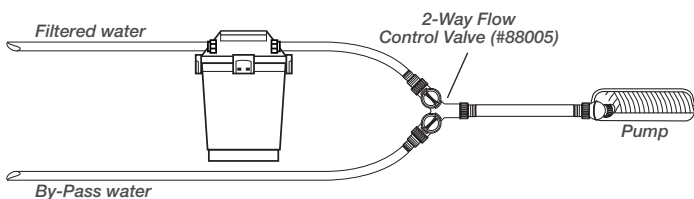
FOR MORE
INFORMATION

Pump Recommendation

- The Aquascape AquaForce® Pond Pump is ideal for use with the UltraKlean™ Pond Filter. The AquaForce® Pond Pump pre-filter cage allows for the pump to be submerged directly in the pond and reduces filter maintenance by preventing larger debris from reaching the UltraKlean™ Pond Filter. Other in-pond pump makes and models can also be used.

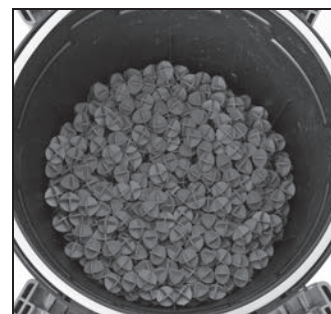


AquaForce® Pond Pump



- When pumping 100% of pond water through a pressurized pond filter, you will experience a reduction in flow, especially when using larger water pumps. The optional 2-Way Flow Control Valve (Item #88005) will allow you to achieve the following:
 - Optimize contact time between UV lamp and water flowing through the filter.
 - Minimizing flow loss when using large pumps.
- The UltraKlean™ Pond Filter is designed to be located outside the pond. We recommend placing it in a location that is easy to hide as well as accessible for maintenance. The UltraKlean™ Pond Filter can be set on level ground or buried up to 1" below the clips on the canister to help hide the filter.

- The UltraKlean™ Pond Filter includes UltraKlean™ BioBalls™ that must be removed from their bags prior to use.. Additional UltraKlean™ BioBalls (#95055) can be added to increase biological filtration if desired (1 box for UltraKlean



2000 and 2 boxes for UltraKlean 3500).

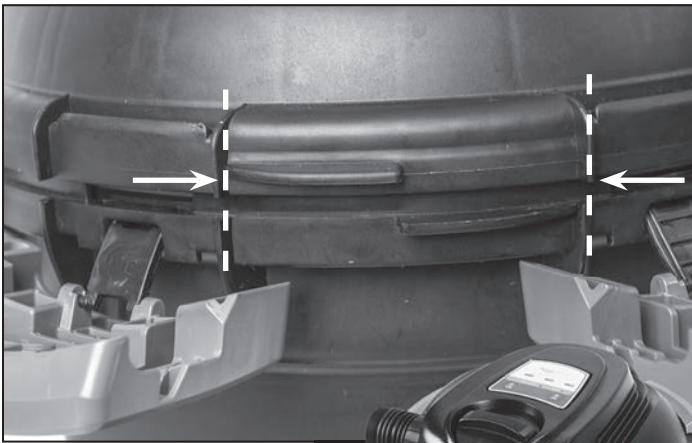
- Fill the canister about half way with water. The water will allow the UltraKlean™ BioBalls™ to shift around the UV tube, making installation of the UltraKlean™ Pond Filter lid quick and easy.

- Before lowering the lid and UV assembly into the canister, inspect the O-Ring in the top of the canister to be sure the O-Ring and recessed area the O-Ring sits in is clean and free of any debris which could cause a water leak. Silicone oil can also be used, if needed, to help grease the O-Ring.



IMPORTANT: Make sure the O-Ring is fully seated in the groove around the entire canister before attaching the lid.

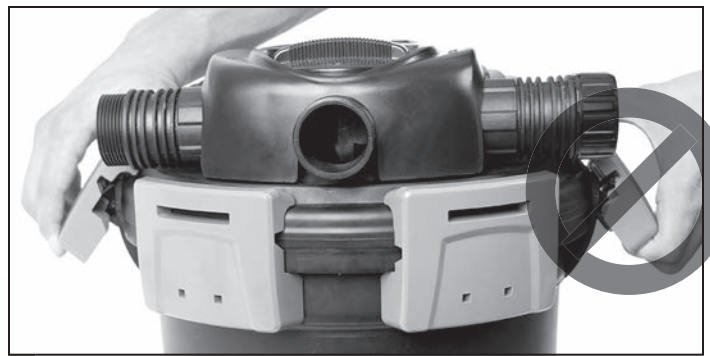




- Carefully align the indented lid clamping spots with the clips on the canister, making sure that the tab on the lid lines up with the tab on the tank. This will allow for easy removal of the lid. Once aligned, close all the lid clips tightly. This will seal the UltraKlean Pond Filter lid to the canister.



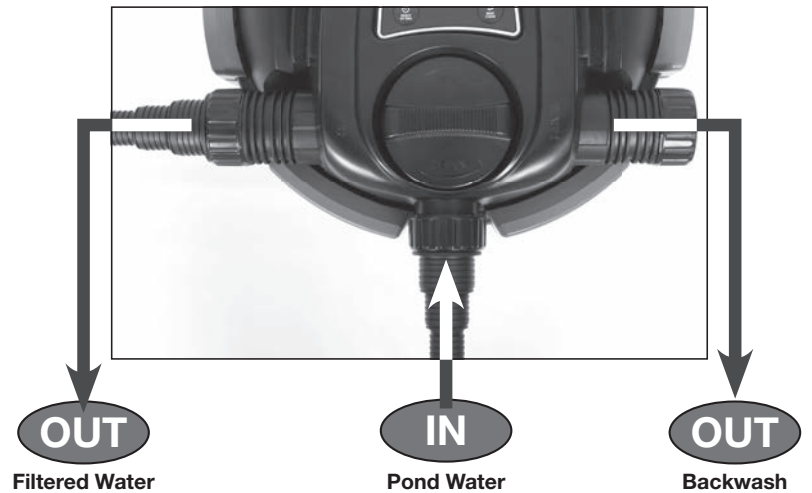
NOTE: The lid clips may require force in order for the lower portion of the clip to lock securely to place.



- Do not use lid clips to lift the UltraKlean™ Pond Filter. This could damage the clips. Instead lift the unit from under the lip of the canister, gripping the canister lip in between any of the clips.



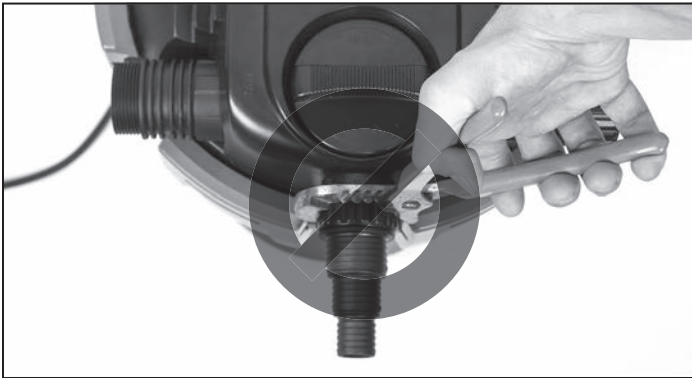
- The UltraKlean™ Pond Filter includes three plumbing ports:
 - In – Pipe from pump
 - Out – Pipe back to pond
 - Wash – Connection to backwash



- Fittings should be hand-tightened and installed with the flat rubber gaskets (in each fitting) to achieve leak-free seals.



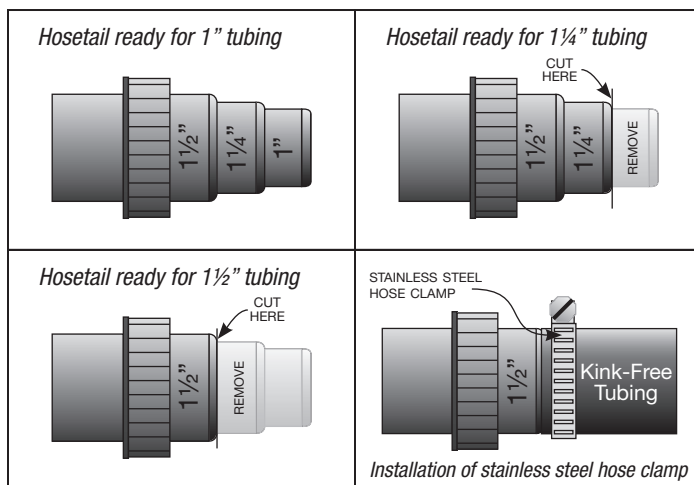
NOTE: Do not use tools to attach the fittings.



Due to the wide variety of different tubing/hose measuring standards used throughout the pond industry, Aquascape has included different sized tapered hose fittings with your new filter. Select the fitting that best fits your new or current tubing/hose.

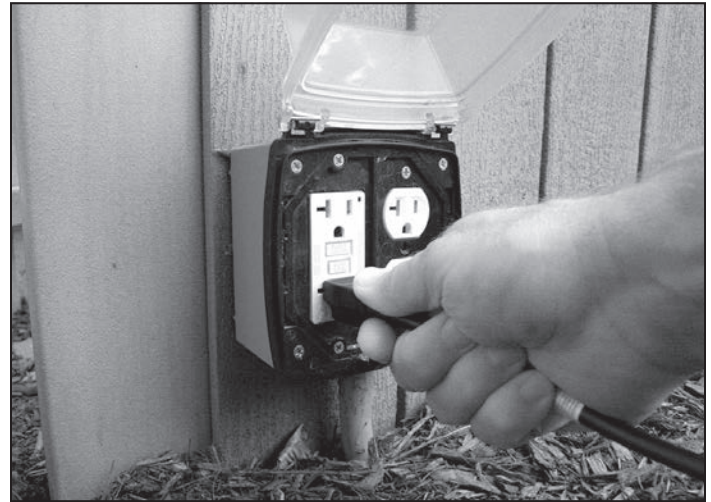
We recommend putting the fitting on the filter before attaching the tubing/hose. Once the fitting is in place, attach the tubing/hose onto the fitting with a twisting motion, pushing it into place. In some instances the tubing/hose may be tight and difficult to use with hose fitting barbs. If this is the case, we recommend heating the hose with the use of a hair dryer or simply dipping the hose for a few seconds in very hot water. Lubrication can also be used; we recommend silicone grease or olive oil.

- Select the Multi-Hose Adapter fitting that best fits your new or current tubing/hose. It is recommended to use as large of a diameter of tubing as possible in order to achieve maximum water flow. (up to 1½ inch diameter).
- If using a pipe diameter larger than the smallest section of the Multi-Hose Adapter, trim off the smaller sections to avoid flow restriction (see below).



- We recommend using a hose clamp (not included) to secure tubing onto the fitting.

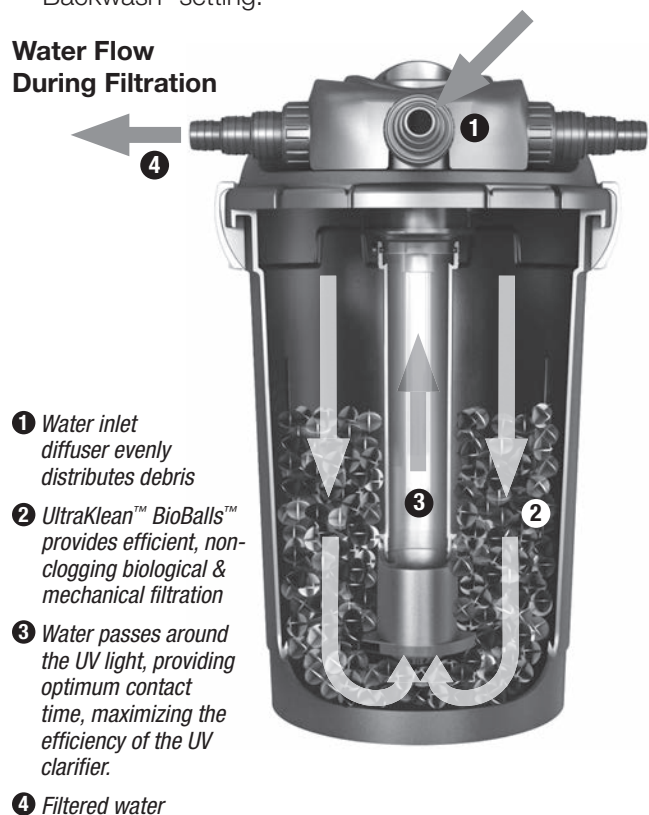
- After completing the plumbing, plug the pump and the UltraKlean™ Pond Filter into an outlet that is protected by a ground fault circuit interrupter (GFCI). Once the pump is running and water is circulating through the UltraKlean™ Pond Filter, check for any fitting leaks where the external connections are made. Since the filter is located outside the pond, even a small leak must be corrected.



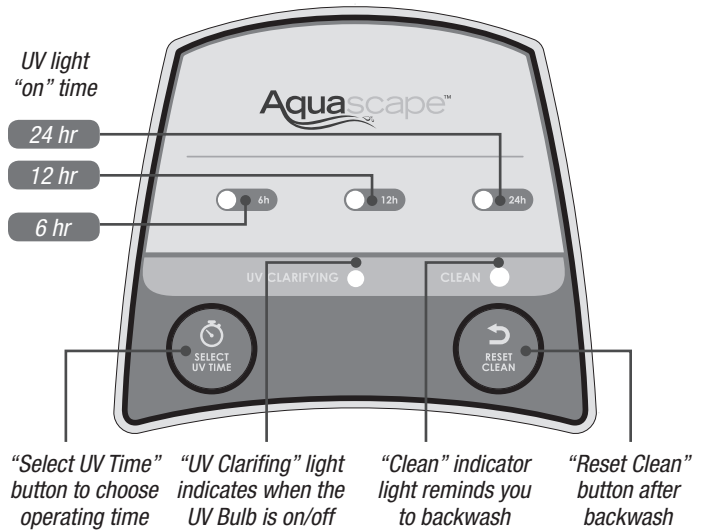
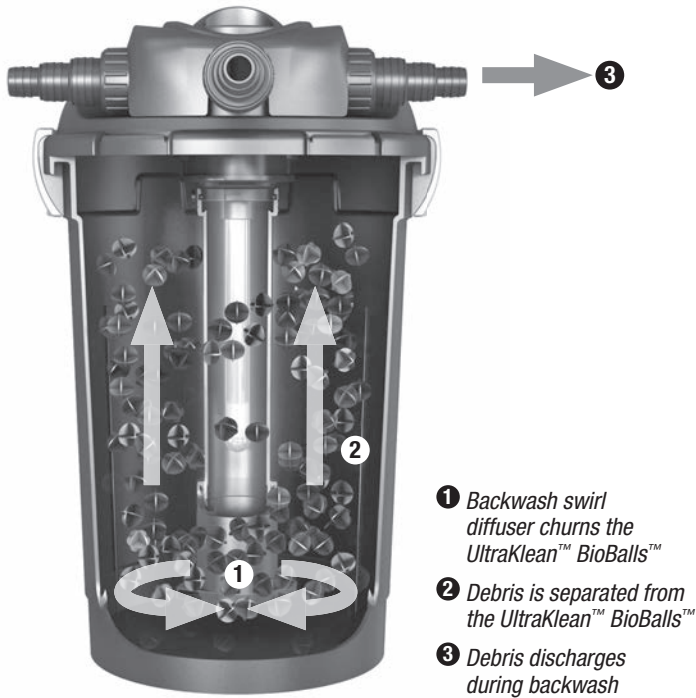
Operation and Maintenance

- The following diagrams illustrate the flow of water during the "Filtration" setting and the flow of water during the "Backwash" setting.

Water Flow During Filtration



Water Flow During Backwash



UltraKlean™ Pond Filter Biological Start-Up

- The biological filtration process is nature's way of breaking down fish waste and other pond debris into harmless by-products. To be successful, allow anywhere from three to six weeks for biological filtration to be fully functional. The pump supplying water through the UltraKlean™ Pond Filter should be operated 24 hours a day in order to maintain the biological function of the filter.

Filter Cleaning

- The "CLEAN" indicator light will illuminate to remind you to backwash the filter (approximately once every two weeks). It takes only a few minutes to clean, and there is no need to open your filter at this time. You can backwash the filter more often if you notice the water flow from the filter slow down. Press the "RESET" button once you have completed the cleaning operation.

Backwashing the UltraKlean™ Pond Filter

- Unplug or shut off power to pump before beginning backwash process.
- Remove the Backwash Cap from the port on the lid of the filter.



Note: it is normal for a small flow of water to discharge out the backwash port once the Backwash Cap is removed. Remember to reinstall the Backwash Cap and flat rubber gasket once the backwash has been completed.

- Attach a section of tubing to the backwash port using a Multi-Hose Adapter. The backwashed water can be discharged to an area of your yard or garden. This nutrient-rich waste makes for an excellent fertilizer.
- Rotate the backwash valve 90 degrees counter clockwise to the "CLEAN" or backwash position. This valve can be a little stiff to turn, especially if it hasn't been moved in awhile.





NOTE: Do not use tools which might crack the handle.

NOTE: The valve assembly can be removed from the lid for cleaning and lubrication with silicone grease. We recommend doing this if the valve becomes very stiff to turn.

4. Plug in or restore power to pump.
5. Backwash approximately 1-3 minutes depending on how dirty the filter is, or until the water begins to come out clear.
6. Unplug or turn off power to pump. Remove backwash hose and replace with Backwash Cap. The Backwash Cap should be hand-tightened and installed with the flat rubber gaskets to achieve a leak-free seal. Turn the valve 90 degrees clockwise to the "RUN" position.
7. Plug in or restore power to pump. Press the "RESET-CLEAN" button once you have completed the cleaning operation.

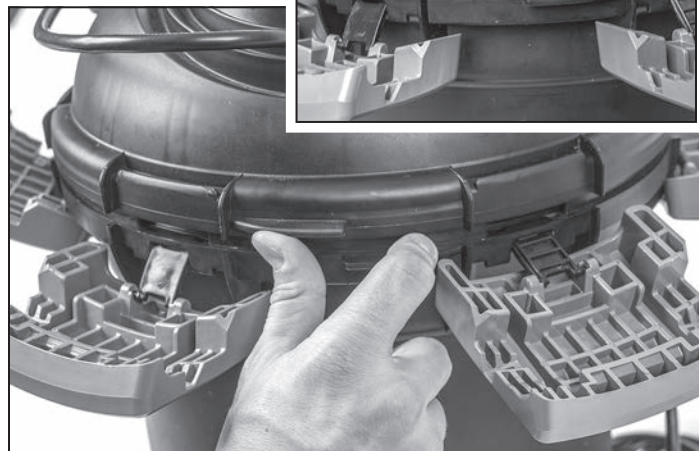
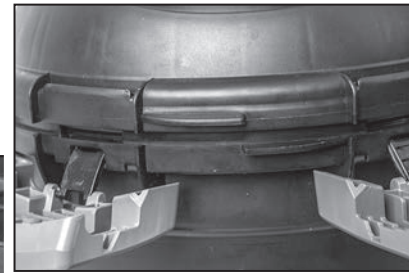
UV Operation

The UltraKlean™ Pond Filter with UV prevents/eliminates single-celled algae commonly referred to as green water. The UltraKlean™ Pond Filter includes a bulb saver timer feature that extends the life of the UV bulb by allowing you to set the operating time for the bulb based on the water quality conditions in the pond.

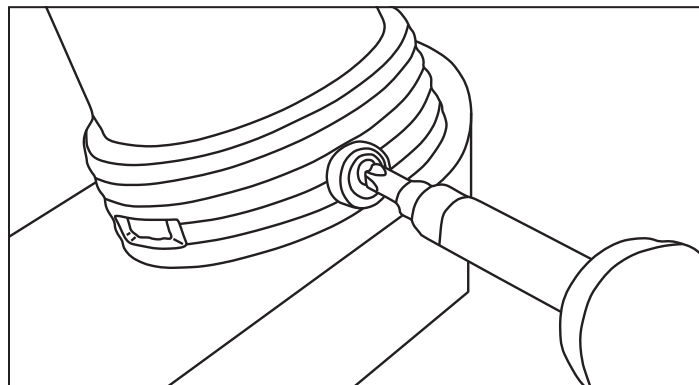
- **Setting the UV Timer** – If the pond water has a planktonic algae bloom (green water) then use the "Select UV Time" button to set the UV timer to the 24 hr setting (always on). In general the cleaner and clearer the pond water, the less the UV light needs to be operated. Once the green water is cleared you can reduce the UV timer to the 12 hr setting (on for 12 hours/off for 12 hours) or the 6 hr setting (on for 6 hours/off for 18 hours). If you notice the green water beginning to reappear, you can increase the UV light operation time until the green water clears.
- **Bulb Life** – For effective clarification, the UV bulb should be replaced after 12 months of continuous use when operated on the 24 hr setting. The bulb saver feature can extend the life of the bulb up to 2 years when operating on the 12 hr setting or 4 years when operating on the 6 hr setting. **Please note:** even though the UV bulb still emits light, it may have lost its effectiveness at clarifying if the recommended operating duration has been exceeded.
- **Cleaning/Replacing the Quartz Tube** – A dirty quartz tube will reduce the effectiveness of the UV bulb. Debris and mineral deposits can be cleaned using a mild acid like white vinegar or a non-abrasive calcium, lime or rust remover with a soft bristled brush or sponge.

To access the Quartz Tube:

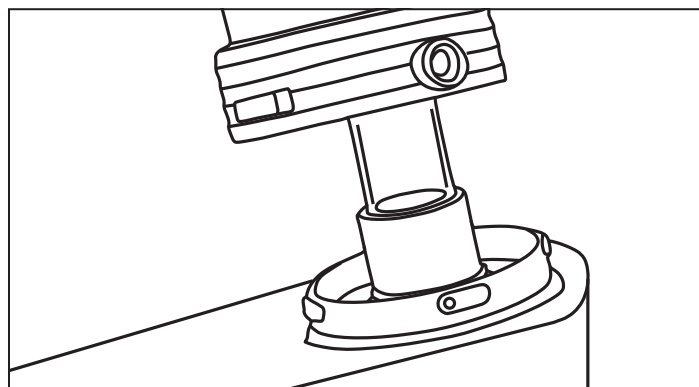
1. Unplug both the pump and the UltraKlean™ Pond Filter.



2. Once the clips are released, use the lid and tank tabs to gently lift the lid assembly free from the canister. The lid may be difficult to lift due to the pressure inside the filter. Loosening one of the plumbing fittings will reduce the pressure, making it easier to remove the lid.

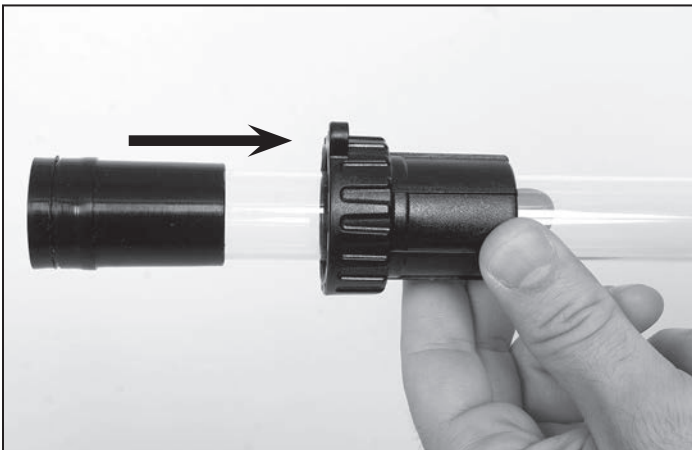
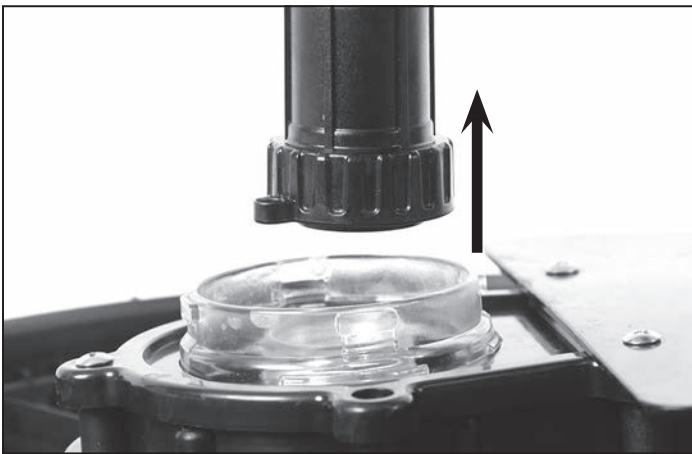
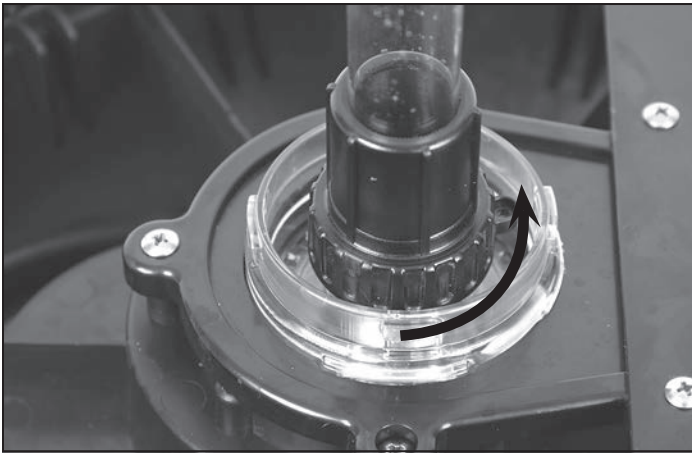


3. Remove the set screw holding the UV light tube in place under the UV Ballast. Please note: use a properly-sized Phillips screw driver small enough to grip the set screw.



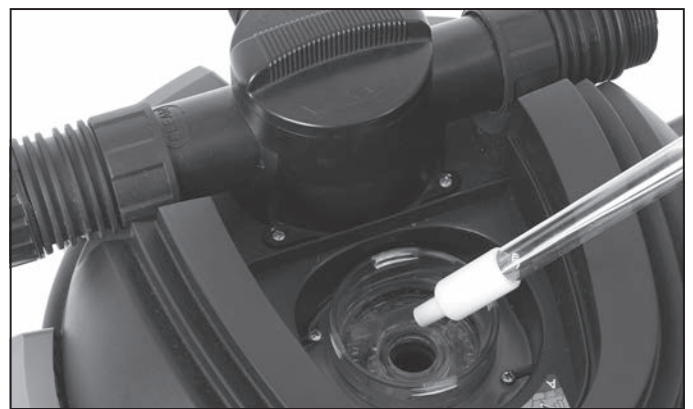
4. Lift the UV light tube cover up to remove it and expose the Quartz Sleeve.

- The Quartz Sleeve can now be accessed for cleaning or replacement.
- If replacing or removing the Quartz tube remove the threaded plastic collar that locks the Quartz Sleeve over the water-tight seal and remove the quartz tube.



Changing the UV Bulb

- Always unplug both the pump and the UltraKlean™ Pond Filter before releasing the lid clips to service the filter.
- Remove the plastic cover surrounding control panel. The panel should be removed without tools.
- Inspect area around the base of the control panel before removing and drain any water that has collected around this area from rainfall.
- Rotate the Electronic Control Board counter-clockwise to disengage the control board from the lid.



NOTE: Do not touch UV bulb with bare hands, as the oil from skin will reduce the bulbs performance and lifespan.

- Carefully remove the Control Board with attached UV bulb from the lid by pulling STRAIGHT-UP, making sure not to break the UV bulb.



6. Grip the base of the UV bulb and pull it free from the four-pronged socket.
 7. Replace UV bulb in reverse to the order it was removed.
- Use a clean lint free cloth to wipe off any dirt or smudges on the bulb prior to reinstalling the Control Panel into the lid of the filter. Also, make sure there is no standing water or moisture inside the quartz sleeve or on the bulb prior to reassembly.
-

- **Winter Storage** – If your pond is subject to freezing, The UltraKlean Pond Filter should be shut down and stored indoors or in a frost-free location. If you've buried the canister body we recommend removing it from the ground to avoid possible damage. When disconnecting the tubing from the filter, the threaded fittings should be removed without the need for any tools (be careful not to lose the flat rubber washers).
-

Troubleshooting

Reduced Water Flow

- All pressure filters even when new and clean will reduce water flow from pump by approximately 50%. It is recommended to use the largest diameter tubing possible (up to 1½ inch diameter) in order to achieve maximum water flow rates.
- Make sure to trim off smaller sections of multi-hose adapter to avoid flow restriction. *See page 7 for more information.*
- The UltraKlean™ BioBalls™ could be clogged with debris and require a backwash cleaning.
- Pump or plumbing may be clogged. It may be necessary to clean the pump cage screen and impeller.

UV Light is Not On

- Cycle timer is not set to the 6 hr/12 hr or 24 hr setting
- Power to the UltraKlean™ Pond Filter has been lost. Check to be sure it's plugged in and the ground fault breaker is not activated.
- UV internal bulb connection may be loose. Disengage the UltraKlean Pond Filter ballast, and check to make sure the UV bulb's four-pronged base is seated securely into the receptacle inside the lid. *See page 10 for more information.* Also, when replacing the quartz sleeve, be sure the collar is snug as tightening the collar activates the safety switch for the UV light.
- UV bulb could be beyond its life expectancy. Replace UV light.

Contents & Spare Parts

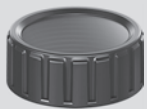
Included Fittings



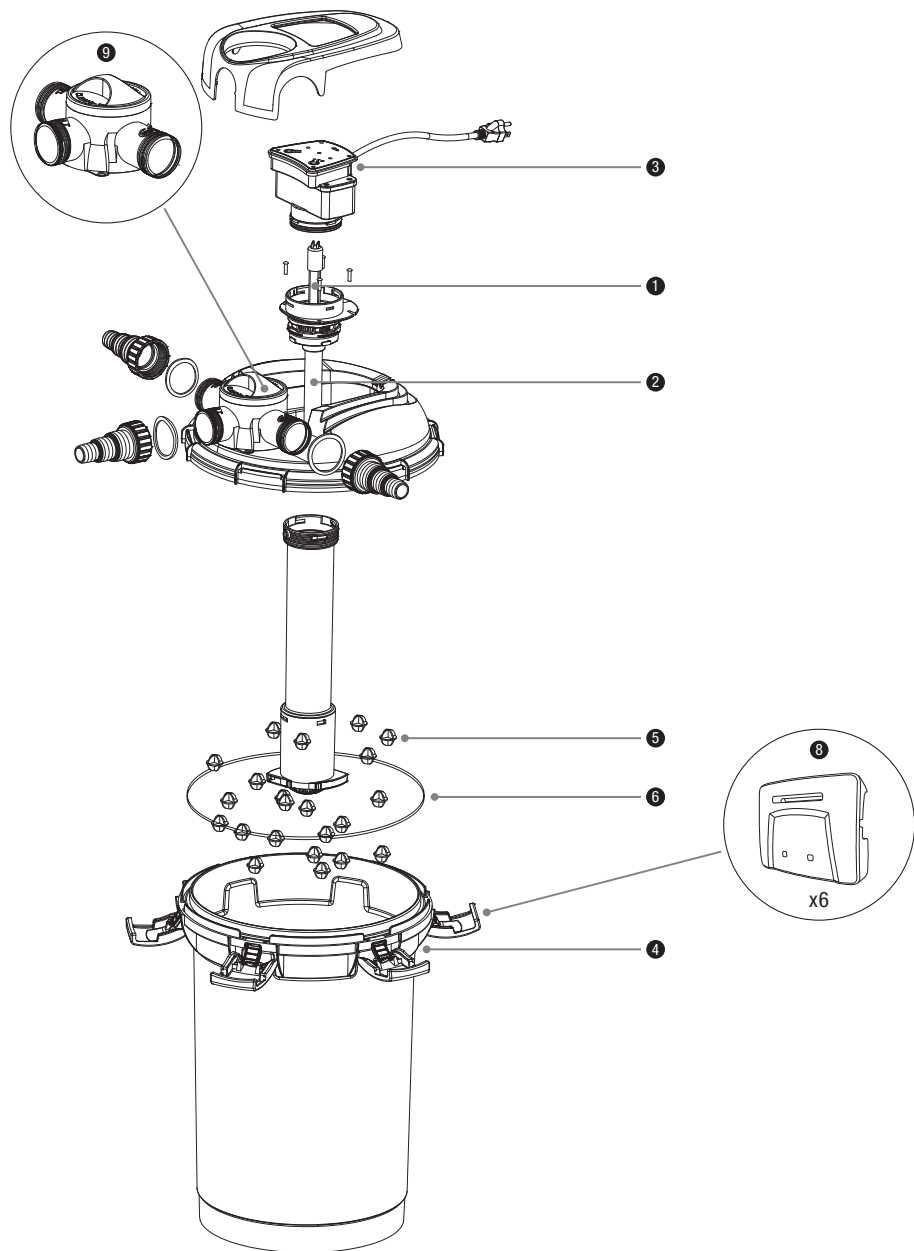
3 x 1", 1¼", 1½"
Multi-Hose Adapter
(Aquascape)



3 x 1", 1¼", 1½"
Multi-Hose Adapter
(North American
Standard)



1 x Backwash Cap



UltraKlean™ Pond Filter 2000 Replacement Parts		UltraKlean™ Pond Filter 3500 Replacement Parts	
No.	Item number/description	No.	Item number/description
1.	95030 14W High Output UV Bulb G2	1.	95031 28W High Output UV Bulb G2
2.	95078 Quartz Sleeve G2 (For 14W UV)	2.	95079 Quartz Sleeve G2 (For 28W UV)
3.	95056 Electronic Control Board & Ballast Kit G2	3.	95057 Electronic Control Board & Ballast Kit G2
4.	95081 Canister body with lid clips	4.	95082 Canister body with lid clips
5.	95055 Extra UltraKlean™ BioBalls™ (qty 250)	5.	95055 Extra UltraKlean™ BioBalls™ (qty 250)
6.	95080 Canister O-Ring Kit	6.	95080 Canister O-Ring Kit
7.	95083 Fitting Kit	7.	95083 Fitting Kit
8.	95102 Clip Kit (6 Clips and Axles)	8.	95102 Clip Kit (6 Clips and Axles)
9.	95103 Valve Kit	9.	95103 Valve Kit

For more information about our company or products, please visit our website at www.aquascapeinc.com or call us at (US) 1-866-877-6637 (CAN) 1-866-766-3426

Aquascape[®]

ULTRAKLEAN[™]

POND FILTER

**Débarrasse les bassins
des proliférations
d'algues d'eau verte
inesthétiques**

Pour les modèles :

- 2000 (article n° 95053)
- 3500 (article n° 95054)





ULTRAKLEAN™ POND FILTER

**Merci d'avoir choisi UltraKlean™
Pond Filter.** Chez AquaScape, notre but est de fournir à nos clients des produits de la plus haute qualité pour le jardinage aquatique. Nous espérons que vous aimerez votre achat et nous vous remercions d'avoir choisi AquaScape.

Votre paradis. Notre passion.™



Garantie de trois ans

UltraKlean™ Pond Filter pour plan d'eau a une garantie de trois ans à partir de la date d'achat. Une preuve d'achat est exigée. La garantie ne couvre pas les dégâts résultant de la négligence de manutention, d'une mauvaise utilisation, ou de l'entretien ou de soins défaillants. La garantie est valable contre les défauts dans les matériaux et les défauts de fabrication seulement. Le remplacement de l'unité défectueuse par une unité de rechange appropriée sera la seule obligation. Les unités devront être vérifiées afin de s'assurer de leur bon fonctionnement avant de les retourner en tant qu'unité défectueuse. AquaScape, Inc. ou ses sociétés affiliées ne sauraient être tenues responsables de la perte ou des dommages, de quelque nature qu'ils soient, résultant de l'utilisation du produit, qu'il soit défectueux ou non. La garantie ne couvre pas la lampe UV ou la douille de quartz, qui doivent être remplacées pour optimiser la performance. Voir notre section Entretien pour les consignes d'entretien et la pose des pièces de rechange.

Table des matières

Introduction	11
Renseignements de sécurité	12
Mode d'emploi	12
Fonctionnement et entretien	14
Diagnostic des pannes.....	16
Pièces de rechange	16

☎ Nous joindre

Pour plus de renseignements au sujet de notre société ou de nos produits, veuillez visiter notre site Web au www.aquascapeinc.com ou téléphonez sans frais au 1 866 766 3426, au Canada, ou au 1 866 877 6637, aux États-Unis.



VISITEZ NOTRE
SITE WEB



EFFECTUEZ UNE
RECHERCHE
DANS NOTRE
CATALOGUE

Introduction

Le système de filtration pour bassin Aquascape UltraKlean^{MC} avec rayons UV et un ajustement intégré permettant d'économiser la lampe, assure aux propriétaires de bassin de maintenir une eau cristalline, claire et en excellente condition. Le design unique utilise des petites BioBalls^{MC} UltraKlean^{MC} plutôt que des éponges, réduisant l'entretien nécessaire et maximisant une filtration mécanique et biologique. La fonction de nettoyage simple à utiliser

d'UltraKlean permet à l'appareil d'être rincé à contre-courant en moins de cinq minutes sans avoir à ouvrir la boîte filtrante ou à vous salir les mains.

Ce manuel d'instructions vous guidera à la fois pour la pose de votre filtre et pour les procédures d'entretien recommandées pour assurer une efficacité à long terme.

Renseignements de sécurité



AVERTISSEMENT : Risque de chocs électriques - Ce filtre n'a pas été approuvé pour l'utilisation en piscine ou en zones marines.



AVERTISSEMENT : Pour s'assurer une protection continue contre les risques de chocs électriques, raccorder uniquement aux prises adéquates, au disjoncteur de fuite de terre (GFCI), en suivant les instructions suivantes :

- (A) Ce filtre est insensible aux intempéries, mais n'est pas conçu pour être immergé dans l'eau.
- (B) Faites installer par un technicien qualifié une prise à la terre adéquate qui convient pour l'utilisation extérieure et protégée de la neige et de la pluie. Si possible, situer la prise ou le filtre de façon à ce que le câble du filtre de 6 m (20 pi) atteigne la prise sans l'aide d'une rallonge.
- (C) Avant utilisation, vérifier que le câble n'est pas endommagé.
- (D) Si une rallonge est nécessaire, assurez-vous qu'elle convienne à un usage extérieur.
- (E) Pour assurer la conformité au code, la sécurité des utilisateurs et la validité de la garantie, tout câblage de pompes doit être réalisé par un électricien qualifié.
- (F) Pour réduire les risques de chocs électriques, tout câblage et raccord de jonction devrait être réalisé conformément à la réglementation locale en vigueur. Les exigences peuvent varier en fonction de l'usage et de l'emplacement.

- (G) Le câble d'alimentation devrait être protégé en permanence afin d'éviter les perforations, les entailles, les frottements et les abrasions.

- (H) Ne jamais tenir un cordon d'alimentation avec des mains mouillées.

- (I) Débrancher le filtre de la prise quand il n'est pas utilisé.

- (J) Ne pas enlever le cordon et le serre-câble. Ne pas raccorder la canalisation au filtre.

- (K) Ne pas utiliser le câble d'alimentation pour soulever le filtre.



AVERTISSEMENT: Sécurité UV - Un petit hublot de contrôle sur le ballast situé à proximité du câble d'alimentation devient rouge lorsque l'équipement est complètement assemblé et que la lumière UV est allumée.



AVERTISSEMENT: Ne jamais outrepasser les interrupteurs internes de sécurité UV lorsque l'équipement est désassemblé, car cela pourrait activer la lumière UV. Une exposition directe à la lumière UV peut entraîner des dommages aux yeux et à la peau.

Spécifications clarificateur UltraKlean ^{MC}		
Numéro de modèle	2000	3500
Numéro d'article	N° 95053	N° 95054
Taille de bassin moyenne recommandée	7 571 litres	13 249 litres
Débit maximal	10 221 l/h	19 684 l/h
Débit minimal	3 785 l/h	7 570 l/h
Pompes recommandées	Pompes AquaForce ^{MD} : 1000, 1800 et 2700; Pompes AquaJet ^{MD} : 1300 et 2000; Pompes Ultra TM : 1100, 1500 et 2000	Pompes AquaForce ^{MD} : 2700, 3600 et 5200; Pompes Ultra TM : 2000
Puissance de la lampe UV	14 W	28 W
Longueur câble d'alimentation	6,1 m	6,1 m
Diamètre du tuyau d'évacuation	2,5 cm, 3,2 cm, 3,8 cm	2,5 cm, 3,2 cm, 3,8 cm

Spécifications pour filtreur pour bassin UltraKlean^{MC}

- Tension d'entrée: 120 V CA
- Fréquence d'entrée: 60 Hz
- Pour utilisation extérieure ou intérieure.
- Protection thermique
- Ce appareil a été évalué pour une utilisation avec de l'eau seulement.

Installation

- Utiliser uniquement lorsque totalement assemblé, et assurez-vous que toutes les pinces fixant la partie supérieure à la partie inférieure sont bien fixées dans la position fermée avant de mettre la pompe en marche. *Pour de plus amples informations, voir page 6.*
- La lampe UV et la douille en quartz sont fragiles. Avant installation, veuillez vérifier qu'il n'y a aucun signe de dommages.



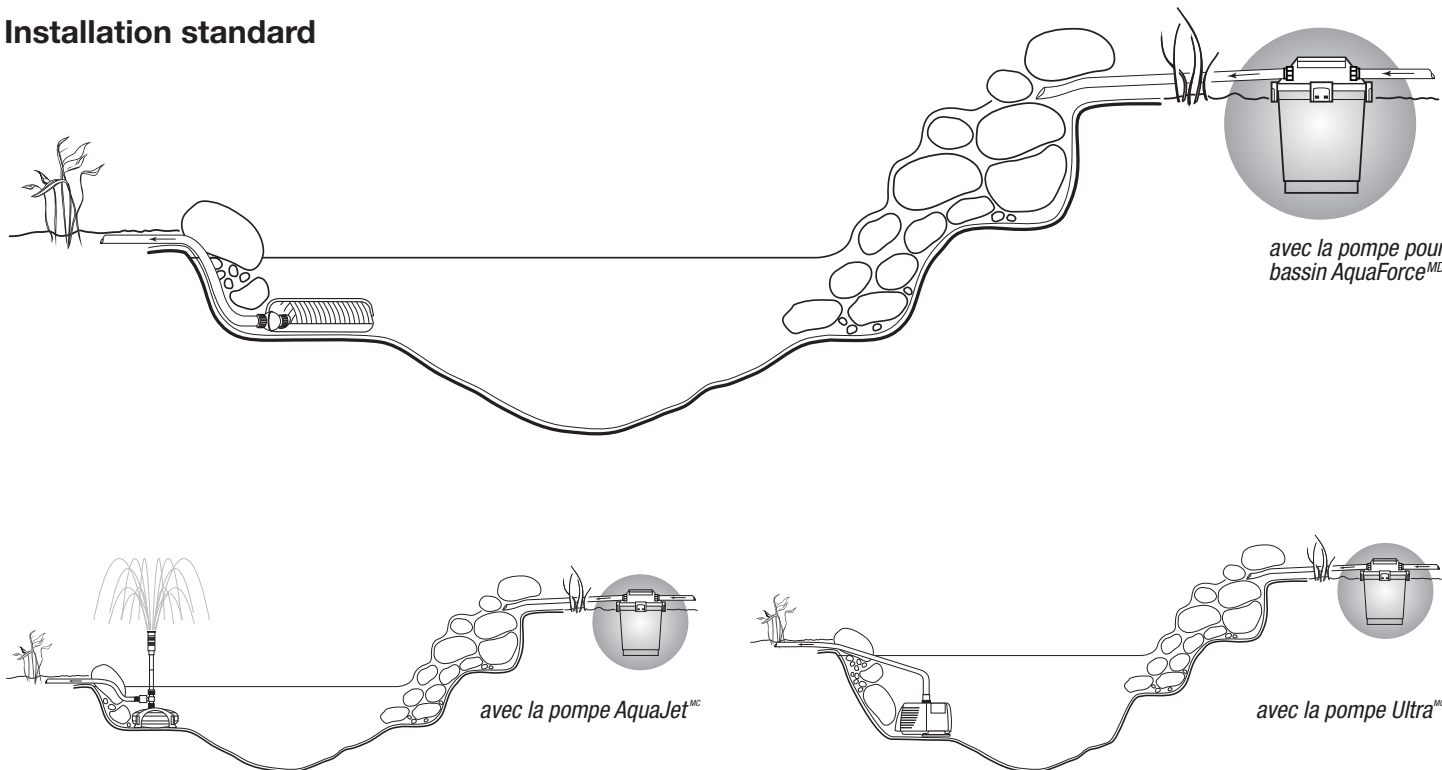
NOTE : Ne pas toucher la lampe UV à mains nues, la graisse de la peau pouvant réduire la performance de la lampe. Avant fonctionnement, vérifier qu'il n'y a pas d'humidité à l'intérieur de la douille en quartz ou sur la lampe. Inspectez la zone autour du ballast pour vérifier qu'il n'y a pas d'eau dessus et éliminez-la au besoin.

- Le filtreur est insensible aux intempéries, mais n'est pas conçu pour être plongé dans le bassin. Immerger le filtreur pour bassin pourrait causer un choc électrique et rendra nulle la garantie du produit.



IMPORTANT ! La compagnie Aquascape n'est pas responsable en cas de pertes, de blessures ou de mort résultant d'un manque de respect de ces mesures de sécurité, d'un mésusage ou d'une mauvaise utilisation d'un des filtres, des pompes ou de tout autre équipement.

Installation standard



IMPORTANT! It is recommended that the pump not be positioned in the deepest area of the pond. This will protect the fish by preventing the pond from completely draining in the case of leak in the plumbing or filter. Bricks or stones can be used, if needed, to raise the pump up off the bottom of the pond.



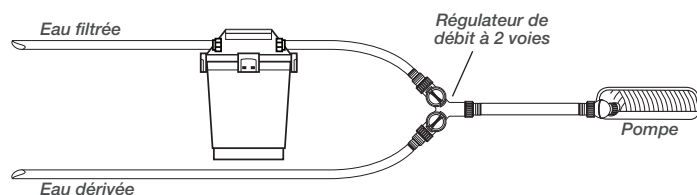
POUR D'AVANTAGE DE
RENSEIGNEMENTS

Pompes recommandées

- L'Aquascape et la pompe pour étang AquaForce^{MD} sont idéales pour être utilisées avec le filtreur pour étang UltraKlean^{MC}. La cagé de pré-filtration de la pompe pour étang AquaForce^{MD} permet à la pompe d'être submergée directement en empêchant les plus gros déchets d'atteindre la pompe de filtration pour étang UltraKlean^{MC}. D'autres modèles et marques de pompes pour étangs peuvent également être utilisées.

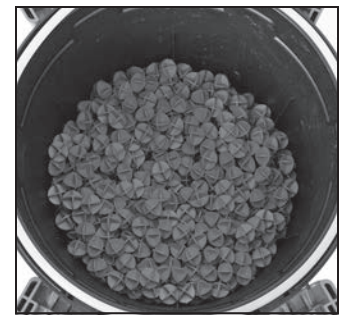


Pompe de bassin AquaForce^{MD}



- Si vous pompez la totalité de l'eau d'un bassin en la faisant passer à travers un filtre de bassin sous pression, vous constaterez une réduction du débit, spécialement si de grosses pompes à eau sont utilisées. Le régulateur de débit à 2 voies en option (vendu séparément) vous permettra d'obtenir les résultats suivants :
 1. Optimisation de la durée de contact entre le filtre et l'eau coulant à travers le filtre.
 2. Réduction au minimum des pertes de débit dues à l'utilisation de grosses pompes.
- Le filtreur pour étangs UltraKlean^{MC} est conçu pour être placé à l'extérieur de l'étang. Nous recommandons un endroit où il est facile de le dissimuler et facile d'y accéder pour l'entretien. Le filtreur pour étangs UltraKlean^{MC} peut être placé au niveau du sol ou enfoui jusqu'à 2,5 cm du niveau des pinces afin de mieux le dissimuler.

- Le filtreur pour étangs UltraKlean^{MC} inclut des BioBalls^{MC}. Des BioBalls^{MC} UltraKlean^{MC} peuvent être ajoutées pour améliorer la filtration biologique 1 boîte pour UltraKlean 2000 et 2 boîtes pour UltraKlean 3500, référence n° 95055



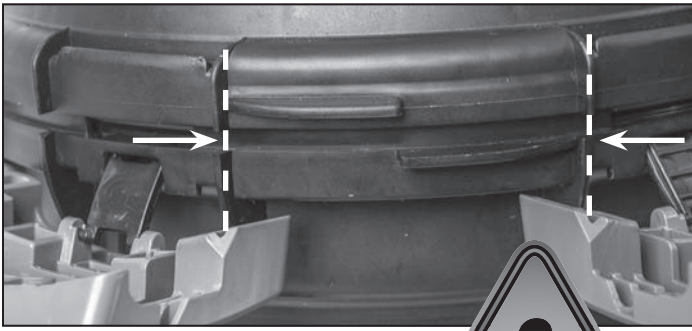
- Remplir la boîte jusqu'à environ la moitié avec de l'eau. L'eau permettra aux BioBalls^{MC} UltraKlean^{MC} de se déplacer autour du tube UV, facilitant l'installation du couvercle du filtreur pour étangs UltraKlean^{MC}.

- Avant d'abaisser le couvercle et l'assemblage UV dans la boîte, inspecter le joint torique dans le haut de la boîte pour être sûr que le joint torique et la zone en retrait dans laquelle il se trouve est propre et libre de tout débris qui pourrait provoquer une fuite de l'eau. Une huile à base de silicone peut également être utilisée si nécessaire pour aider à graisser le joint torique.



IMPORTANT ! Assurez-vous que le joint torique soit bien en place dans la rainure sur la totalité du rebord de la boîte avant d'attacher le couvercle.

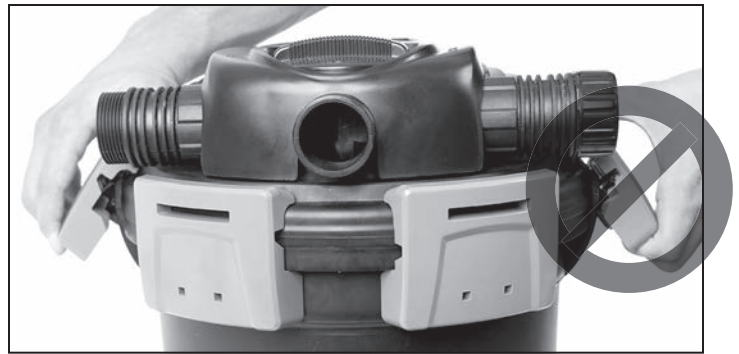




- Aligned soigneusement les points de serrage encochés du couvercle avec les attaches sur la boîte filtrante en vous assurant que la languette sur le couvercle est alignée avec la languette sur le réservoir, et ce pour retirer plus facilement le couvercle. Ensuite, fermez toutes les pinces du couvercle afin de fixer de manière étanche le couvercle du filtreur pour étangs UltraKlean^{MC}.



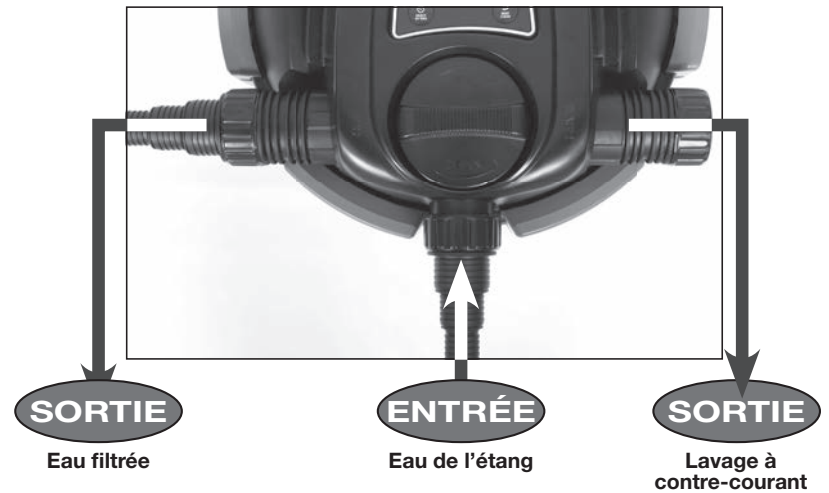
REMARQUE : les attaches du couvercle peuvent nécessiter d'exercer une certaine force pour que la partie inférieure des attaches se mette en place et se verrouille.



- Ne pas utiliser les pinces du filtreur pour étangs UltraKlean^{MC} pour le soulever. Cela pourrait endommager les pinces. Soulevez-le plutôt en le saisissant le rebord du couvercle entre les pinces.



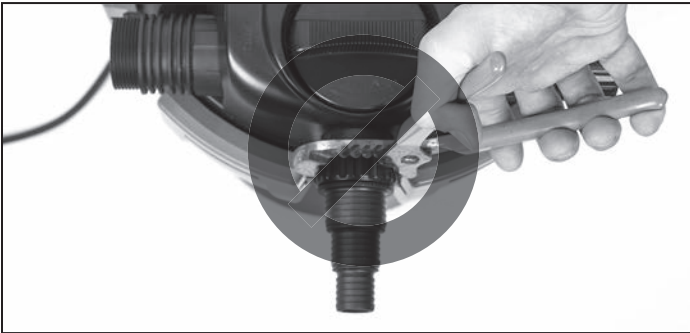
- Le filtreur pour étangs UltraKlean^{MC} comprend trois orifices de plomberie :
 - Entrée Tuyau provenant de la pompe
 - Sortie Tuyau en direction de l'étang
 - Lavage Connection au lavage à contre-courant



- Les raccords devraient être serrés à la main seulement et installés avec les joints plats en caoutchouc afin d'obtenir des joints sans fuite. Pour qu'il n'y ait aucune fuite, les raccords devraient être serrés à la main en insérant les joints statiques en caoutchouc (dans chaque raccord).



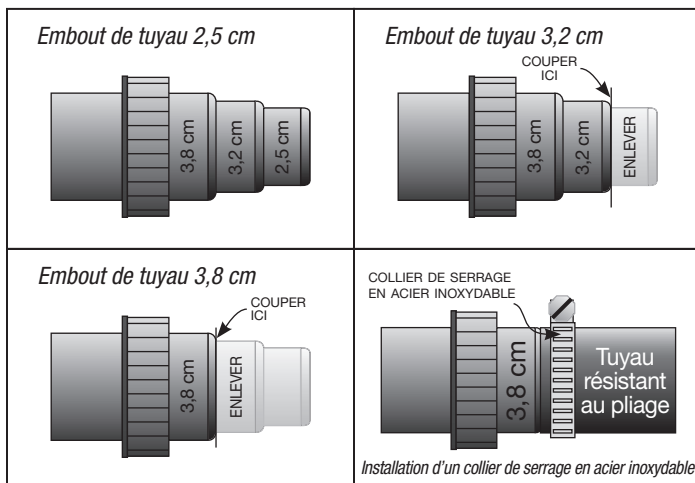
NOTE : Ne pas utiliser d'outils pour attacher les raccords.



En raison du nombre de normes de mesure des tuyaux/boyaux utilisés dans toute l'industrie des bassins, Aquascape fournit votre nouveau filtre avec des raccords de tuyau effilés et de différentes tailles. Choisissez le raccord qui s'ajuste le mieux à votre tuyau/boyaux actuel ou nouveau.

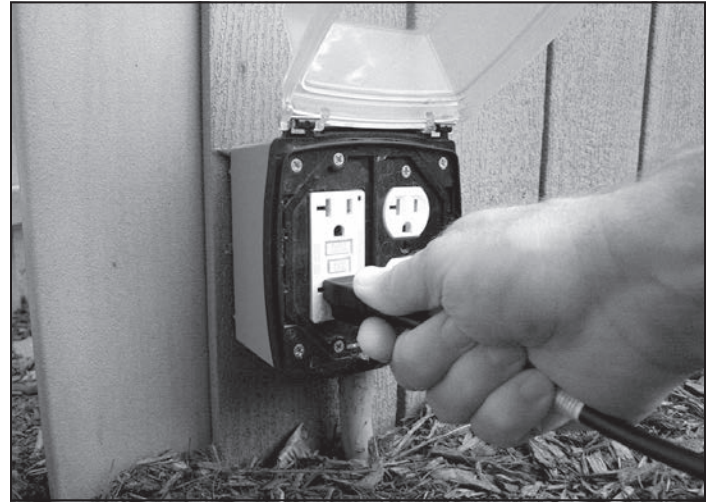
Nous recommandons de placer le raccord sur le filtre avant d'attacher le tuyau/boyaux. Une fois que le raccord est en place, attachez le tuyau/boyaux au raccord en le faisant tourner pour le mettre en place. Dans certains cas, le tuyau/boyaux peut être étroit et difficile à utiliser en raison des cannelures du raccord. Nous recommandons alors de chauffer le tuyau à l'aide d'un sèche-cheveux ou tout simplement de plonger le tuyau pendant quelques secondes dans de l'eau très chaude. Il peut également s'avérer utile de lubrifier : nous recommandons la graisse de silicone ou l'huile d'olive.

- Choisir l'adaptateur multi-tuyaux en fonction du diamètre du tube que vous utilisez. Il est recommandé d'utiliser un diamètre de tube aussi large que possible (jusqu'à 3,8 cm de diamètre) afin d'obtenir un débit d'eau maximal.
- Si vous utilisez un diamètre de tuyau plus large que la plus petite section de l'adaptateur multi-tuyaux, éliminer les plus petites sections pour éviter toute réduction du débit d'eau.



- Nous recommandons l'utilisation d'un collier (non inclus) de serrage.

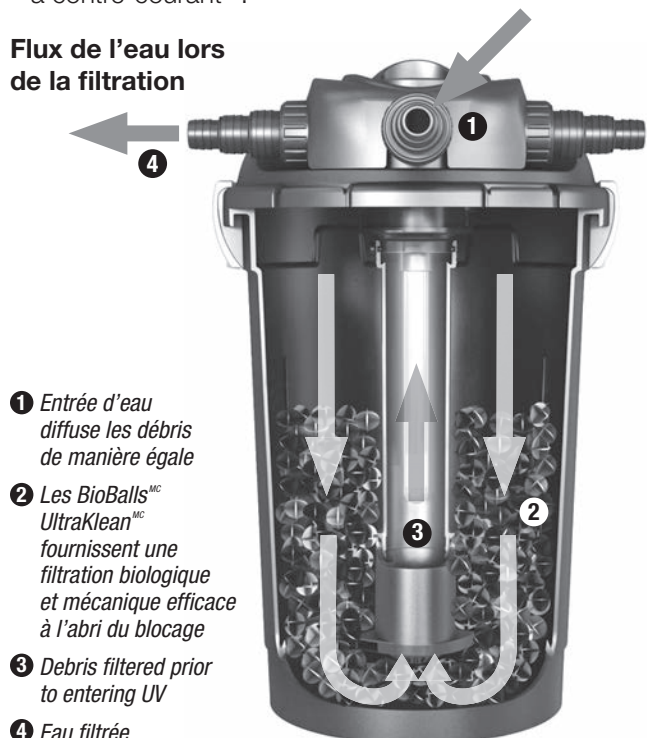
- Après raccordement de la tuyauterie, brancher la pompe et le filtreur pour bassin UltraKlean^{MC} à une prise qui est protégée par un disjoncteur de fuite de terre (GFI). Une fois que la pompe est en marche et que l'eau circule à travers le filtreur pour bassin UltraKlean^{MC}, vérifier qu'il n'y ait aucune fuite de raccord là où les raccordements externes ont été faits. Étant donné que le filtre est placé en dehors du bassin, même une légère fuite doit être corrigée.



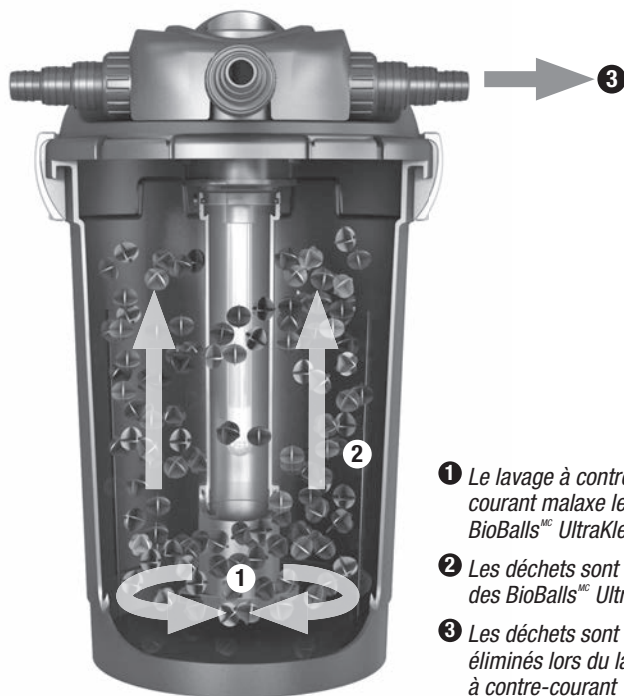
Fonctionnement et entretien

- Les diagrammes suivants illustrent le flux de l'eau en mode « Filtration » et le flux de l'eau en mode « Lavage à contre-courant ».

Flux de l'eau lors de la filtration



Flux de l'eau lors de la filtration



- ❶ Le lavage à contre-courant malaxe les BioBalls^{MC} UltraKlean^{MC}
- ❷ Les déchets sont séparés des BioBalls^{MC} UltraKlean^{MC}
- ❸ Les déchets sont éliminés lors du lavage à contre-courant

Processus biologique de filtration de l'étang UltraKlean^{MC}

- Le processus de filtration biologique est la façon dont la nature réduit les déchets organiques des poissons et les autres déchets de l'étang en résidus inoffensifs. Vous devez prévoir de 3 à 6 semaines afin que le processus de filtration biologique soit fonctionnel. La pompe doit fournir de l'eau au filtreur pour étangs UltraKlean^{MC}, 24 heures par jour, afin de maintenir la fonction de filtre biologique.

Nettoyage du filtre

- Le voyant lumineux « CLEAN » s'illumine afin de vous rappeler d'effectuer un nettoyage (approximativement une fois par 2 semaines). Ça ne prend que quelques minutes de nettoyer le filtre et vous n'avez pas besoin d'ouvrir le filtre. Vous pouvez effectuer un nettoyage plus souvent si vous remarquez que le flux d'eau ralentit. Appuyer sur le bouton « RESET » après avoir complété le nettoyage.

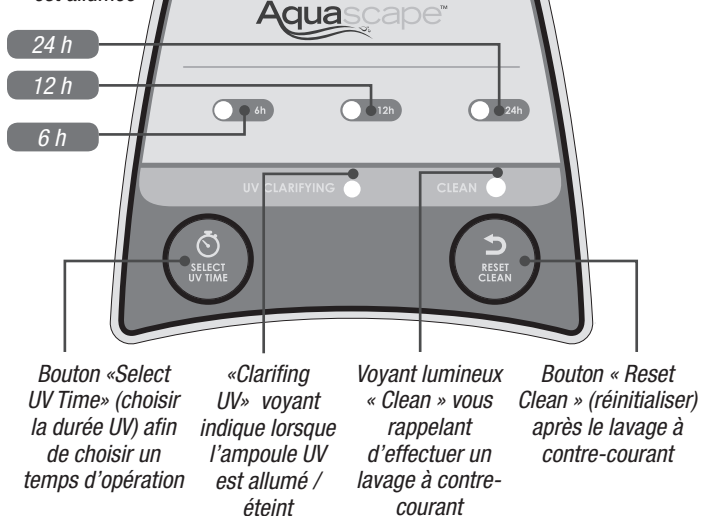
Lavage à contre-courant du filtreur pour étangs UltraKlean^{MC}

1. Débrancher ou couper le courant à la pompe avant de commencer procédure de lavage.
2. Retirer le bouchon de lavage à contre-courant sur le couvercle du filtreur.



Remarque: il est normal pour un faible débit d'eau à décharge sur le port de lavage une fois que le Cap Backflush est retiré. Rappelez-vous de réinstaller le joint en caoutchouc Backflush Cap et plat une fois que le contre-lavage est terminé.

Nombre d'heures pendant lequel la lumière UV est allumée



Bouton «Select UV Time» (choisir la durée UV) afin de choisir un temps d'opération

«Clarifying UV» voyant indique lorsque l'ampoule UV est allumé / éteint

Voyant lumineux « Clean » vous rappelant d'effectuer un lavage à contre-courant

Bouton « Reset Clean » (réinitialiser) après le lavage à contre-courant



Fixer un tuyau à l'orifice de lavage à contre-courant en utilisant un adaptateur multi-tuyaux. L'eau lavée à contre-courant peut être déchargée vers votre jardin. Cette eau remplie de nutriments constitue un excellent engrais.

3. Effectuer une rotation de 90 degrés avec la valve dans le sens antihoraire, jusqu'à la position « CLEAN » ou lavage à contre-courant. Cette valve peut être un peu difficile à tourner, particulièrement si elle ne l'a pas été récemment.





AVERTISSEMENT : Ne pas utiliser d'outils, cela pour faire craquer la poignée.

REMARQUE : l'ensemble valve peut être retiré du couvercle pour son nettoyage et sa lubrification en utilisant de la graisse de silicone. Nous recommandons aie ceci si la valve est trop serrée.

4. Branchez ou rétablir le courant à la pompe..
5. Au bout d'une à trois minutes de lavage à contre-courant, selon la saleté du filtre, ou tant que l'eau qui sort n'est pas redevenue limpide, tournez la valve de 90 degrés dans le sens des aiguilles d'une montre pour la remettre en position de circulation.
6. Débrancher ou couper le courant à la pompe. Retirer le tuyau de lavage et le remplacer par le capuchon de lavage. Le capuchon de lavage devrait être serré à la main et installé avec les joints en caoutchouc plates pour réaliser un joint étanche. Tournez la vanne de 90 degrés dans le sens horaire à la position «RUN».
7. Branchez ou rétablir le courant à la pompe. Appuyez sur le bouton "RESET -CLEAN" une fois que vous avez terminé l'opération de nettoyage.

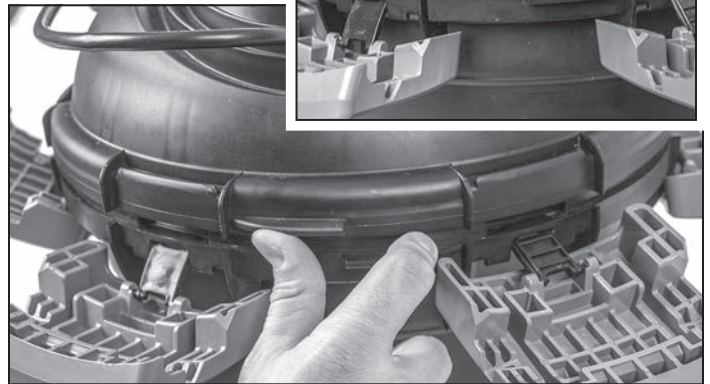
Fonctionnement UV

Le filtreur pour étangs UltraKlean^{MC} avec lumière UV prévient/élimine les algues unicellulaires, communément appelées « eau verte ». Le filtreur pour étangs UltraKlean^{MC} comprend une fonction d'économiseur de l'ampoule qui prolonge la durée de vie de l'ampoule UV en permettant de définir la durée de fonctionnement de l'ampoule en fonction des conditions de qualité de l'eau dans l'étang.

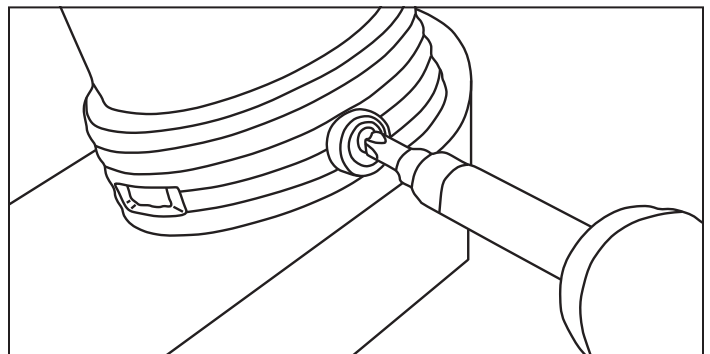
- **Réglage de la minuterie UV** – Si l'eau de l'étang a une floraison d'algues planctoniques (eau verte), utilisez le bouton « Select UV Time » pour régler la minuterie UV au réglage de 24 heures (toujours allumé). De manière générale, plus propre et claire est l'eau de l'étang, moins la lumière UV doit être utilisée. Une fois l'eau verte disparue, vous pouvez réduire la minuterie UV au réglage de 12 heures (12 heures en marche / 12 heures arrêt) ou éventuellement au réglage minimal de 6 heures (6 heures en marche/18 heures arrêt). Si vous remarquez que l'eau verte commence à réapparaître, vous pouvez augmenter la durée d'utilisation de la lumière UV jusqu'à ce que les espaces soient exempts d'eau verte.
- **Durée de vie de l'ampoule** – Pour une clarification efficace, la lampe UV doit être remplacée après 12 mois d'utilisation continue, lorsqu'elle est utilisée sur le réglage de 24 heures. La fonction d'économiseur d'ampoule peut prolonger la vie de l'ampoule jusqu'à 2 ans lors de l'utilisation du réglage de 12 heures ou 4 ans lors de l'utilisation du réglage de 6 heures. **Veillez noter** que même si la lampe UV émet encore de la lumière, elle a peut-être perdu de son efficacité à clarifier si la durée de fonctionnement recommandée a été dépassée.
- **Nettoyage/Remplacement du tube de quartz** – Un tube de quartz sale réduit l'efficacité de la lampe UV. Les dépôts de débris et minéraux peuvent être nettoyés avec un acide doux comme du vinaigre blanc ou un calcium non-abrasif, de la chaux ou antirouille avec un pinceau ou une éponge à poils doux.

Pour accéder au tube quartz :

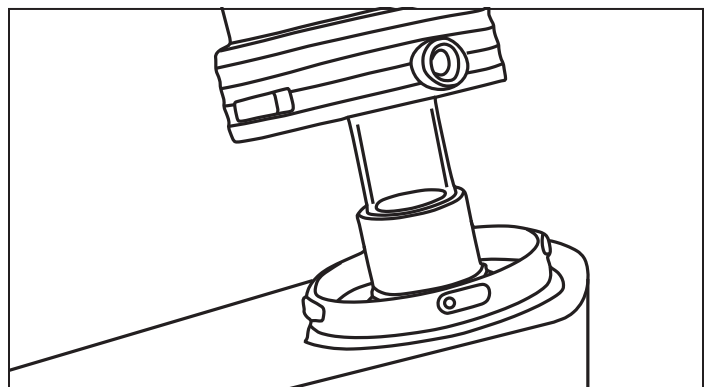
1. Débranchez la pompe et le filtreur pour étangs UltraKlean^{MC}.



2. Une fois que les attaches sont desserrées, utilisez les languettes du couvercle et du réservoir pour lever doucement l'ensemble couvercle et le dégager de la boîte filtrante. Il se peut que le couvercle soit difficile à lever en raison de la pression à l'intérieur du filtre. En desserrant un des raccords de tuyau/boyau, vous réduirez la pression et vous pourrez alors retirer plus facilement le couvercle.

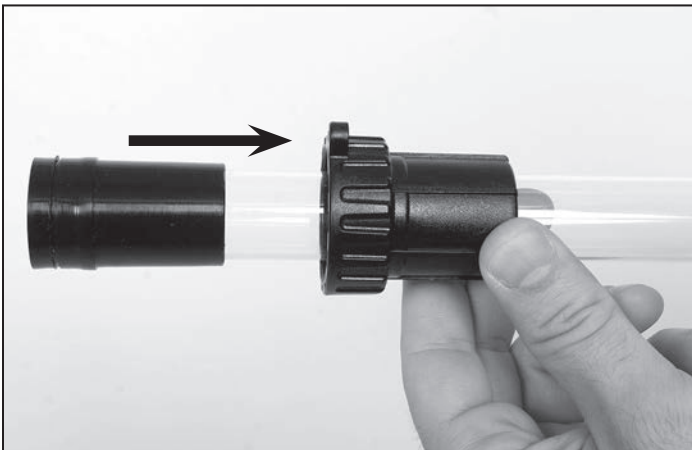
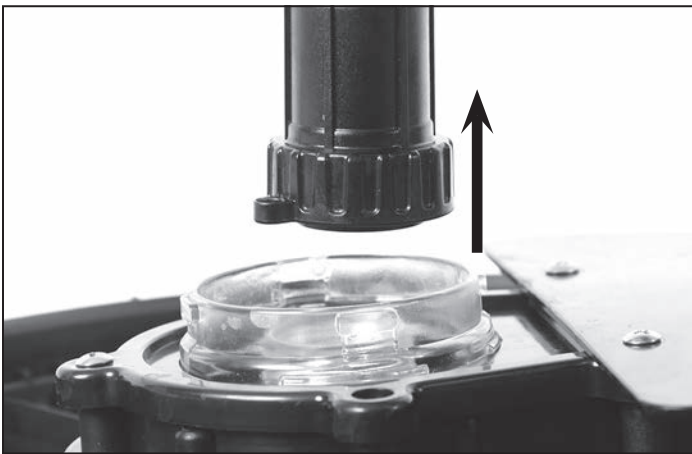
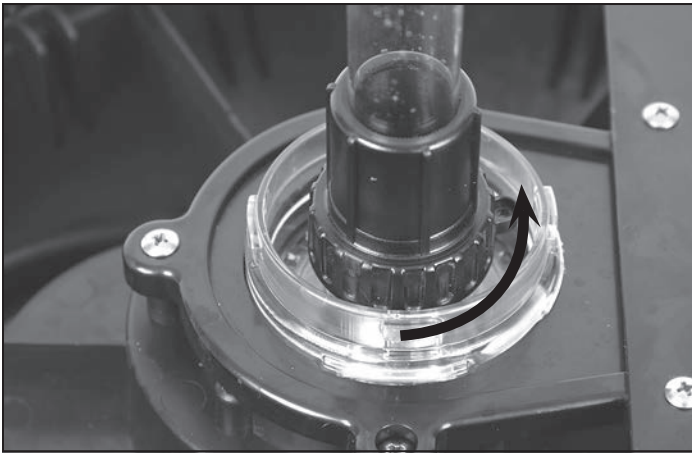


3. Retirez la vis qui tient en place le tube UV sous le ballast UV.



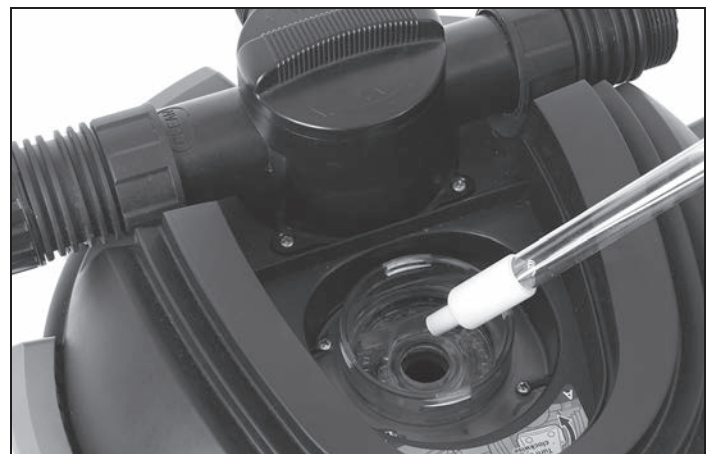
4. Soulevez le couvercle du tube UV afin de le retirer et d'examiner le tube quartz.

5. Le tube de quartz peut maintenant être atteint pour nettoyage ou remplacement.
6. Si vous remplacez ou enlevez le tube de quartz, enlevez le collet de plastique qui se trouve sur le joint d'étanchéité et enlevez le tube de quartz.



Changer la lampe UV

1. Toujours débrancher à la fois la pompe et le filtreur pour étangs UltraKlean^{MC} avant de défaire les pinces du couvercle pour entretenir le filtre.
2. Enlever le couvercle de plastique qui se trouve autour du panneau de contrôle. Le panneau peut être retiré sans outil.
3. Avant d'éliminer et de vidanger l'eau de pluie qui pourrait s'être accumulée autour de cette zone, inspectez la zone autour de la base du tableau de commande.
4. Faites une rotation en sens antihoraire du Electronic Control Board (panneau de contrôle) afin de le détacher du couvercle.



NOTE : Ne pas toucher la lampe UV à mains nues sachant que la graisse de la peau réduit le temps de vie et la performance des lampes.

5. Délicatement, retirez le le panneau de contrôle et la lampe UV qui y est attachée du couvercle en tirant TOUT DROIT VERS LE HAUT en vous assurant de ne pas briser la lampe UV.



6. Saisir la base de la lampe UV et la libérer de sa prise à 4 broches.
 7. Replacer la lampe UV et la douille en quartz dans l'ordre inverse de celui par lequel ils ont été enlevés.
- Utiliser un tissu propre pour nettoyer toute saleté ou toute tache présente sur la lampe avant de réinstaller le panneau de contrôle dans le couvercle du filtre. Également, assurez-vous qu'il n'y a pas de moisissure à l'intérieur de la douille de quartz ou sur la lampe avant de réassembler. Avant de les poser à nouveau, assurez-vous également qu'il n'y ait pas d'eau stagnante ou d'humidité à l'intérieur de la douille en quartz ou sur l'ampoule.

-
- **Entreposage hivernal** – Le filtreur pour étangs UltraKlean^{MC} doit être arrêté, drainé et stocké à l'intérieur ou dans un garage si votre bassin est soumis à des températures qui sont en dessous du point de congélation. Pour débrancher le tuyau du filtre, les raccords filetés doivent être retirés sans utilisation d'outils. Veillez à ne pas perdre les rondelles de caoutchouc plat.
-

Dépannage

Réduction du débit d'eau

- Tous les filtres de pression, même lorsque neufs et propres, réduiront le débit de l'eau de la pompe d'environ 50 %. Il est recommandé d'utiliser un diamètre aussi que possible pour le tuyau (jusqu'à un diamètre de 3,8 cm) afin d'obtenir un écoulement maximal de l'eau.
- Pour éviter toute restriction de débit, assurez-vous d'ébarber la plus petite partie du raccord multi-tuyaux. Pour de plus amples informations, voir page 7.
- Les BioBalls^{MC} UltraKlean^{MC} pourraient être bouchées et nécessiter un lavage à contre-courant.
- La pompe ou la plomberie peuvent être obstruées. Il peut être nécessaire de nettoyer la cage de la pompe et la tête de pompe.

La lumière UV ne s'allume pas

- La minuterie de cycle n'est pas paramétrée à 6, 12 ou 24 heures
- L'alimentation électrique du UltraKlean^{MC} Pond Filter a été interrompue. Vérifiez pour vous assurer que l'appareil est branché et que le disjoncteur de fuite de terre n'est pas activé.
- La connexion interne de la lampe UV pourrait être lâche. Retirez le couvercle du filtreur pour étangs UltraKlean^{MC} et dévissez le collier fileté qui retient la douille de quartz en place au-dessus de la lampe. Vérifiez que la lampe UV elle-même est sécuritairement fixée à l'endroit où le bulbe se connecte à une prise à 4 broches à l'intérieur du couvercle. *Pour de plus amples informations, voir page 10.* De plus, lorsque vous remplacez la douille de quartz, assurez-vous que le collet est bien serré lorsque vous le serrez, car cela active l'interrupteur de sécurité pour la lumière UV.
- La lampe UV pourrait être au-delà de son espérance de vie. Remplacez la lampe UV.

Contenu et pièces détachables

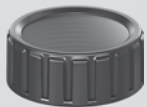
Raccords inclus



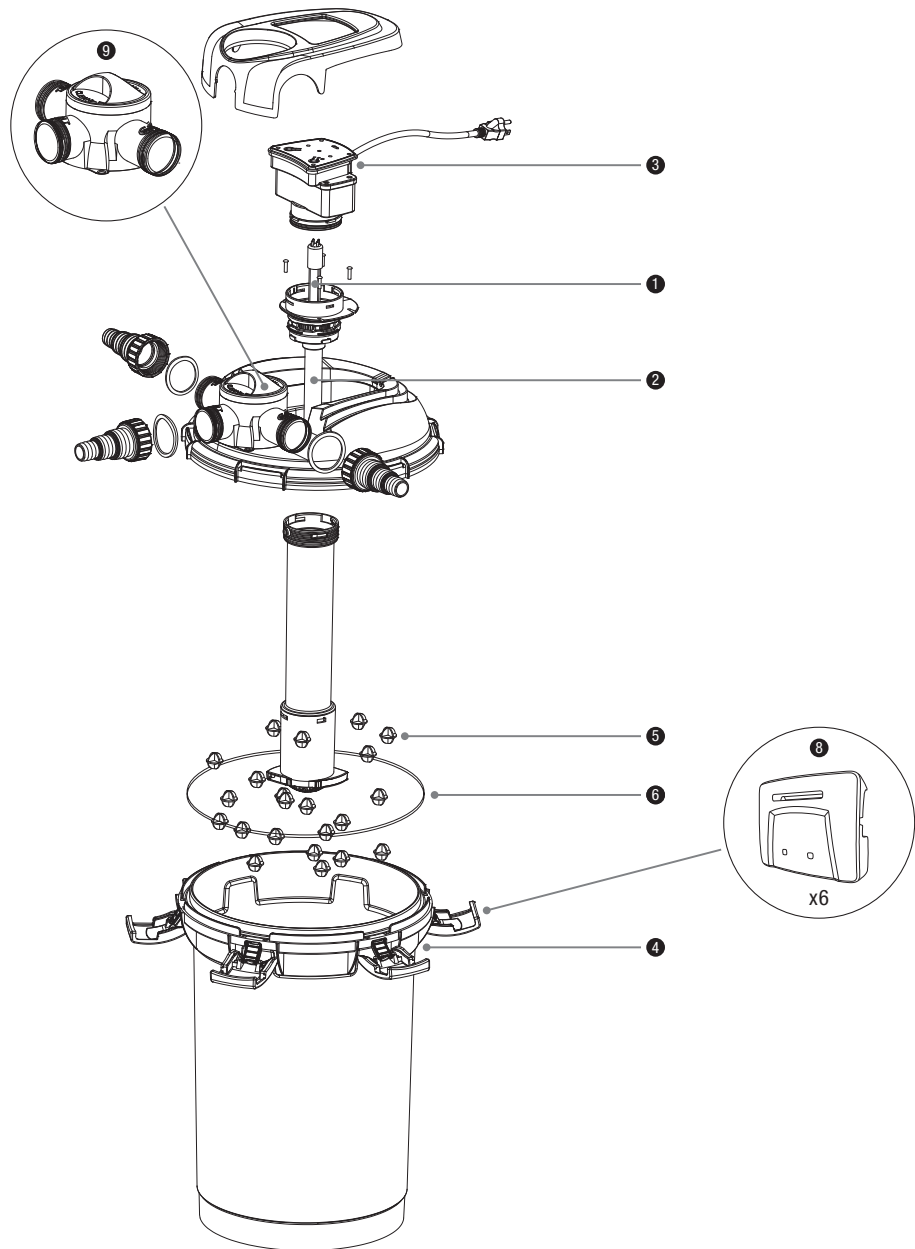
3 x adaptateurs multi-tuyaux 2,5 cm, 3,2 cm et 3,8 cm (Aquascape)



3 x adaptateurs multi-tuyaux 2,5 cm, 3,2 cm et 3,8 cm (Standard Amérique du Nord)



1 x bouchon de lavage à contre-courant



Pièces de rechange UltraKlean ^{MC} 2000		Pièces de rechange UltraKlean ^{MC} 3500	
N°	Numéro d'article/description	N°	Numéro d'article/description
1.	95030 Lampe UV 14 W à rendement élevé G2	1.	95031 Lampe UV 28 W à rendement élevé G2
2.	95078 Douille de quartz G2 (pour UV 14 W)	2.	95079 Douille de quartz G2 (pour UV 28 W)
3.	95056 Panneau de contrôle électronique et jeu de ballast G2	3.	95057 Panneau de contrôle électronique et jeu de ballast G2
4.	95081 Boîtier principal avec pinces pour le couvercle	4.	95082 Boîtier principal avec pinces pour le couvercle
5.	95055 BioBalls ^{MC} UltraKlean ^{MC} supplémentaires (250 unités)	5.	95055 BioBalls ^{MC} UltraKlean ^{MC} supplémentaires (250 unités)
6.	95080 Jeu de joints toriques pour la boîte	6.	95080 Jeu de joints toriques pour la boîte
7.	95083 Jeu de raccords	7.	95083 Jeu de raccords
8.	95102 Jeu d'attaches (6 attaches et axes)	8.	95102 Jeu d'attaches (6 attaches et axes)
9.	95103 Ensemble valve	9.	95103 Ensemble valve

Pour plus de renseignements au sujet de notre société ou de nos produits, veuillez visiter notre site Web au www.aquascapeinc.com ou téléphonez sans frais au 1 866 766 3426, au Canada, ou au 1 866 877 6637, aux États-Unis.