

# SOUNDSTICKS® III

Setup Guide



**harman / kardon**<sup>®</sup>  
by HARMAN

English

French

Spanish

German

Italian

Japanese

Korean

Simplified Chinese

Dutch

Norwegian

Finnish

Russian

Swedish

Danish

# SOUNDSTICKS® III

## FCC Regulations

### FCC Declaration of Conformity Statement



This device complies with Part 15 of the FCC Rules. Operation is subject to the following two conditions: (1) this device may not cause harmful interference, and (2) this device must accept any interference received, including interference that may cause undesired operation.

### Radio and Television Interference


This equipment has been tested and found to comply with the limits for a Class B digital device, pursuant to Part 15 of the FCC Rules. These limits are designed to provide reasonable protection against harmful interference in a residential installation. This equipment generates, uses, and can radiate radio frequency energy and, if not installed and used in accordance with the instructions, may cause harmful interference to radio communications. However, there is no guarantee that interference will not occur in a particular installation. If this equipment does cause interference to radio or television reception, which can be determined by turning the equipment off and then on, the user is encouraged to try to correct the interference by one or more of the following measures:

- Increase the separation between the equipment and receiver.
- Connect the equipment to a different outlet so that the equipment and receiver are on different branch circuits.
- Consult the dealer or an experienced radio/TV technician for help.

Changes or modifications not expressly approved by Harman Consumer, Inc., could void the user's authority to operate the equipment.

	<b>CAUTION</b>	
THE LIGHTNING FLASH WITH AN ARROWHEAD SYMBOL, WITHIN AN EQUILATERAL TRIANGLE, IS INTENDED TO ALERT THE USER TO THE PRESENCE OF UNINSULATED "DANGEROUS VOLTAGE" WITHIN THE PRODUCT'S ENCLOSURE THAT MAY BE OF SUFFICIENT MAGNITUDE TO CONSTITUTE A RISK OF ELECTRIC SHOCK TO PERSONS.	<b>RISK OF ELECTRIC SHOCK DO NOT OPEN</b>  WARNING: TO REDUCE THE RISK OF FIRE OR ELECTRIC SHOCK, DO NOT EXPOSE THIS APPARATUS TO RAIN OR MOISTURE.	THE EXCLAMATION POINT WITHIN AN EQUILATERAL TRIANGLE IS INTENDED TO ALERT THE USER TO THE PRESENCE OF IMPORTANT OPERATING AND MAINTENANCE (SERVICING) INSTRUCTIONS IN THE LITERATURE ACCOMPANYING THE PRODUCT.

## Important Safety Instructions

1. Read these instructions.
2. Keep these instructions.
3. Heed all warnings.
4. Follow all instructions.
5. Do not use this apparatus near water.
6. Clean only with a dry cloth.
7. Do not block any ventilation openings. Install in accordance with the manufacturer's instructions.
8. Do not install near any heat sources such as radiators, heat registers, stoves or other apparatus (including amplifiers) that produce heat.
9. Do not defeat the safety purpose of the polarized or grounding-type plug. A polarized plug has two blades with one wider than the other. A grounding-type plug has two blades and a third grounding prong. The wide blade or the third prong is provided for your safety. If the provided plug does not fit into your outlet, consult an electrician for replacement of the obsolete outlet.
10. Protect the power cord from being walked on or pinched, particularly at plugs, convenience receptacles and the point where they exit from the apparatus.
11. Only use attachments/accessories specified by the manufacturer.
12. Use only with the cart, stand, tripod, bracket or table specified by the manufacturer or sold with the apparatus. When a cart is used, use caution when moving the cart/apparatus combination to avoid injury from tip-over. 
13. Unplug this apparatus during lightning storms or when unused for long periods of time.
14. Refer all servicing to qualified service personnel. Servicing is required when the apparatus has been damaged in any way, spilled or objects have fallen into the apparatus, the apparatus has been exposed to rain or moisture, does not operate normally, or has been dropped.
15. Do not expose this apparatus to dripping or splashing and ensure that no objects filled with liquids, such as vases, are placed on the apparatus.
16. To completely disconnect this apparatus from the AC Mains, disconnect the power supply cord plug from the AC receptacle.
17. The mains plug of the power supply cord shall remain readily operable.
18. Do not expose batteries to excessive heat such as sunshine, fire or the like.

# SOUNDSTICKS® III

## Specifications\*

### System

Frequency range: 44Hz – 20kHz

Power consumption: 4W idle, 65W maximum

### Subwoofer

Transducer (1): 6" woofer

Amplifier output power: 20W RMS

Dimensions (W x H): 9-3/16" x 10-3/16"  
(232mm x 258mm)

Weight: 4 lb (2.2kg)


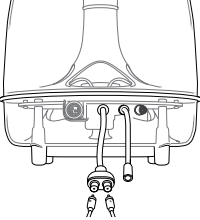
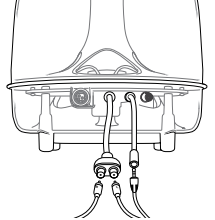
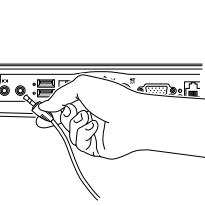
### Satellite

Transducers (4): 1" full-range per channel

Amplifier output power: 10W RMS per channel

Dimensions (W x H): 2" x 10" (51mm x 254mm)

Weight: 1.5 lb (0.7kg)

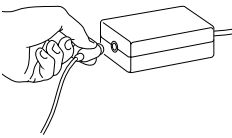
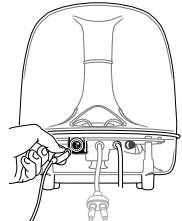
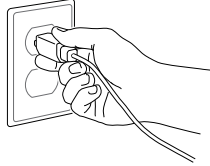
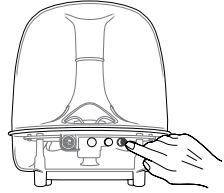
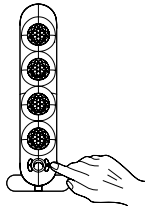
			
<p>Step 1. Place individual SoundSticks III (satellites) beside monitor/computer.</p>	<p>Step 2. Place subwoofer as desired, but placement under your desk will provide optimal performance.</p>	<p>Step 3. Connect satellite cables to the dual subwoofer cable. Also connect the input cable to the subwoofer input cable jack.</p>	<p>Step 4. Insert SoundSticks III input cable into the computer or other audio device.</p>

## Troubleshooting

Symptom	Possible problem	Solution
<p>No sound from SoundSticks III speaker system.</p>	<p>No power to subwoofer. Power adapter plug not inserted correctly. No volume or low volume.</p>	<p>Ensure power supply is connected to live power source and is properly connected to subwoofer. Please note: When subwoofer is powered, a power LED should light. Place plug with arrow symbol facing UP into the subwoofer. Touch the volume "Up" (+) pad on the volume control satellite to unmute and/or increase the system volume level. Note: Touching the volume "Down" (-) pad lowers the system volume. Touching both (+) and (-) volume control pads at the same time will mute the system.</p>

\*These specifications are subject to change without notice.

# Easy Setup Guide

				
<p>Step 5. Plug power cord into power adapter.</p>	<p>Step 6. Plug power adapter into subwoofer.</p>	<p>Step 7. Plug power cord into wall receptacle.</p>	<p>Step 8. Push the subwoofer volume knob/power ON/OFF button. Unit is on when the LED is lit. Use the subwoofer volume knob to balance the subwoofer's volume with that of the satellites.</p>	<p>Step 9. Adjust volume level by touching + or – button. Touching both the + and – buttons mutes the audio. When muted, touching either button unmutes the audio.</p>

[www.harmanardon.com](http://www.harmanardon.com)

Symptom	Possible problem	Solution
<p>No sound from subwoofer, only satellites.</p> <p>No sound from satellites, only subwoofer.</p> <p>High frequencies sound dull.</p>	<p>Subwoofer volume control set at minimum.</p> <p>Satellites not connected to subwoofer.</p> <p>Satellites not positioned properly.</p>	<p>Rotate subwoofer volume control clockwise until relative volume level is appropriate.</p> <p>Check connection of satellites to subwoofer.</p> <p>Position and tilt (angle) loudspeakers toward listener. The sound from the satellites is very directional due to the four-element linear array design.</p>

This product is intended to be supplied by a listed direct plug-in power unit marked "Class 2" and output rated 16V DC minimum 1.5 A.

# harman/kardon®

**HARMAN**

Harman Consumer, Inc.  
8500 Balboa Boulevard, Northridge, CA 91329 USA  
516.255.4545 (USA only)

[www.harmankardon.com](http://www.harmankardon.com)

Made in P.R.C.

© 2010 Harman International Industries, Incorporated. All rights reserved.

Features, specifications and appearance are subject to change without notice.

Harman Kardon and SoundSticks are trademarks of Harman International Industries, Incorporated, registered in the United States and/or other countries.

Part No. 950-0290-001 Rev. A

