

**Serie | 4, Slideout rangehood, 90 cm,
Silver metallic
DFS097A51A**



Optional accessories

DSZ4565 : Standard recirculation kit

DSZ4920 : Installation kit for 90cm wide wall unit

**Slideout rangehood: barely visible
integrated in the wall unit, this ensures a
sleek and clear kitchen finish.**

- **EcoSilence Drive™**: the powerful, energy-saving brushless motor for rangehoods.
- **LED lighting**: for perfect, energy-efficient illumination of the cooktop.
- **Intensive speed setting**: removes strong kitchen odours especially quickly and effectively.
- With exhaust, the air is cleaned by a grease filter and then ducted to the outside which ensures optimal kitchen air quality.
- Dishwasher-safe metal grease filters for easy cleaning.

Technical Data

Typology : Pull-out

Approval certificates : Australia Standards, VDE

Length electrical supply cord : 175 cm

Required niche size for installation (HxWxD) : 385mm x 524.0mm x 290mm mm

Minimum distance above an electric cooktop : 430 mm

Minimum distance above a gas cooktop : 650 mm

Net weight : 13.077 kg

Type of control : Electronic

Number of power settings : 3-stages + intensive setting

Maximum output air extraction : 397 m³/h

Boost position output recirculating : 628 m³/h

Maximum output recirculating air : 358 m³/h

Boost position air extraction : 729 m³/h

Number of lights : 3

Noise level : 53 dB(A) re 1 pW

Diameter of air outlet : 120 / 150 mm

Grease filter material : Washable stainless steel

EAN code : 4242005252459

Connection Rating : 146 W

Fuse protection : 10 A

Voltage : 220-240 V

Frequency : 50; 60 Hz

Plug type : AU plug

Installation type : Built-in



Serie | 4, Slideout rangehood, 90 cm, Silver metallic DFS097A51A

Slideout rangehood: barely visible integrated in the wall unit, this ensures a sleek and clear kitchen finish.

Variant

- Appliance width: 898 mm
- Appliance colour: Steel body, metallic finish
- Install into a 60cm or 90cm cupboard
- Ducted and recirculated-air operation
- Accessories required for recirculation mode: CleanAir Module

Design

Comfort

- Electronic controls with low-lift push buttons
- Electronic controls
- Push button controls (3 power settings plus intensive setting) with Electronic display
- Electronic controls
- Push button controls for power and light
- 3 power settings plus intensive setting
- Intensive operation automatic revert - 6min
- Automatic run on for Automatic run on - 10 min

Cleaning

- 3 x 1.5W LED
- Colour Temperature: 3500 K
- Stainless steel filter covers, dishwasher safe
- Dishwasher safe metal grease filters

Performance

- Extraction rate according to EN 61591 \varnothing 15 cm:
max. Normal use 397 m³/h
Intensive 729 m³/h
- Extraction rate exhaust air according to EN 61591:
max. normal use 397 m³/h, intensive 729 m³/h
- Noise level according to EN 60704-3 exhaust air:
Max. normal use: 53 dB(A) re 1 pW
Intensive: 69 dB(A) re 1 pW
- Extraction rate exhaust air according to EN 61591: max. 729 m³/h
- Noise min./max. Normal Level: 41/53 dB
- With the Clean Air Plus recirculation kit (available as accessory) your appliances reaches:
Extraction rate in recirculation mode:
Max. normal use: 358 m³/h
Intensive: 628 m³/h
Noise level in recirculation mode:
Max. normal use: 60 dB(A) re 1 pW
Intensive: 71 dB(A) re 1 pW
- 2 high-performance fans, Efficient BLDC-technology
- Efficient BLDC-technology

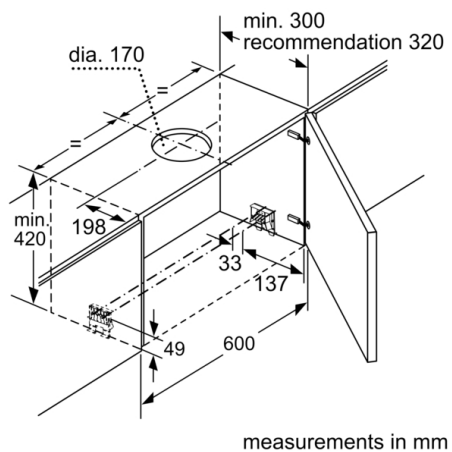
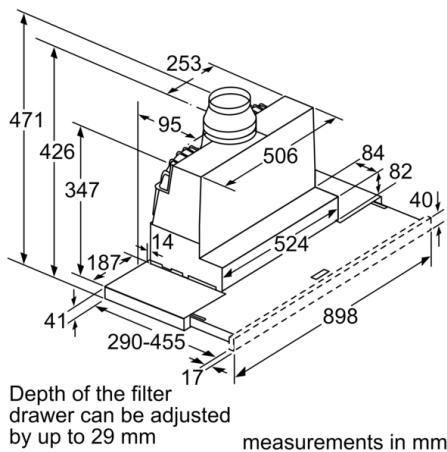
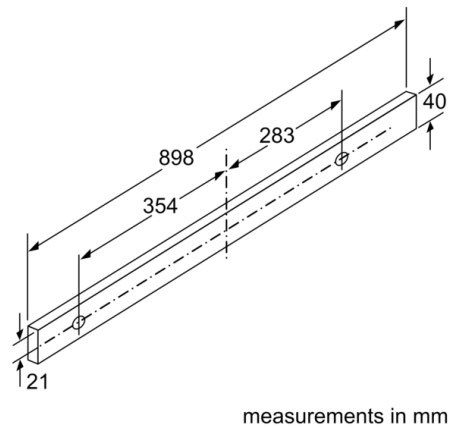
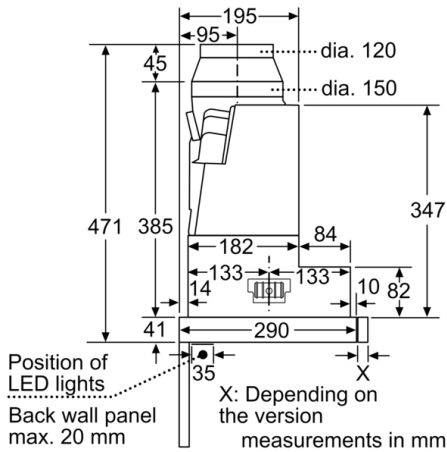
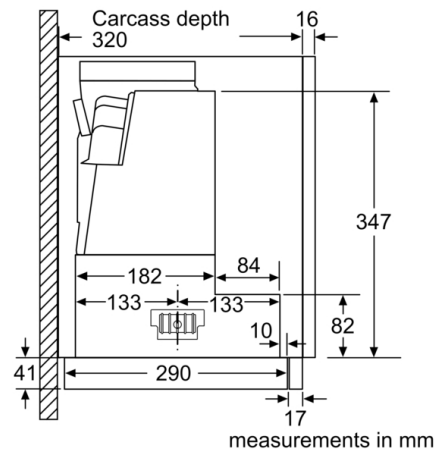
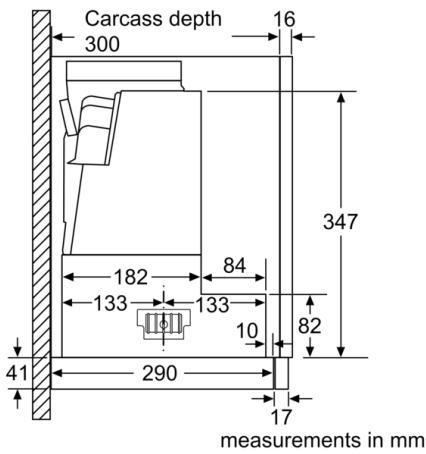
Planning and installation information

- Easy installation system
- Appliance dimensions (HxWxD): 426 x 898 x 290 mm
- Built-in dimensions (HxWxD): 385 x 524 x 290 mm
- Diameter pipe \varnothing 150 mm (\varnothing 120 mm enclosed)
- Electrical cable length 1.75 m

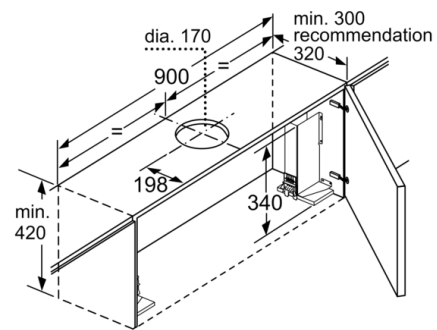
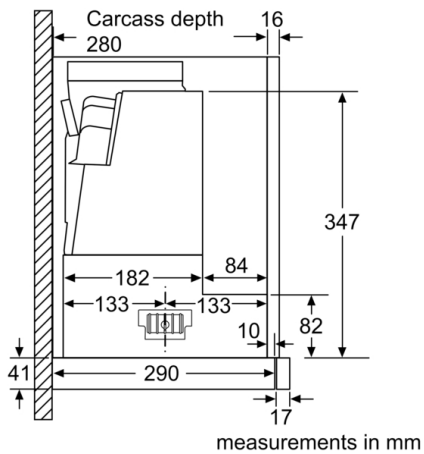
Consumption Data

- Average Energy Consumption: 38.1 kWh/year
- Power rating: 146 W

**Serie | 4, Slideout rangehood, 90 cm, Silver metallic
DFS097A51A**



**Serie | 4, Slideout rangehood, 90 cm, Silver metallic
DFS097A51A**



When installing the 90 cm telescopic hood in a 90 cm wide wall-hanging cupboard, a mounting kit is required. The two mounting brackets are screwed onto the left and right of the kitchen unit. Installation in accordance with template.

measurements in mm