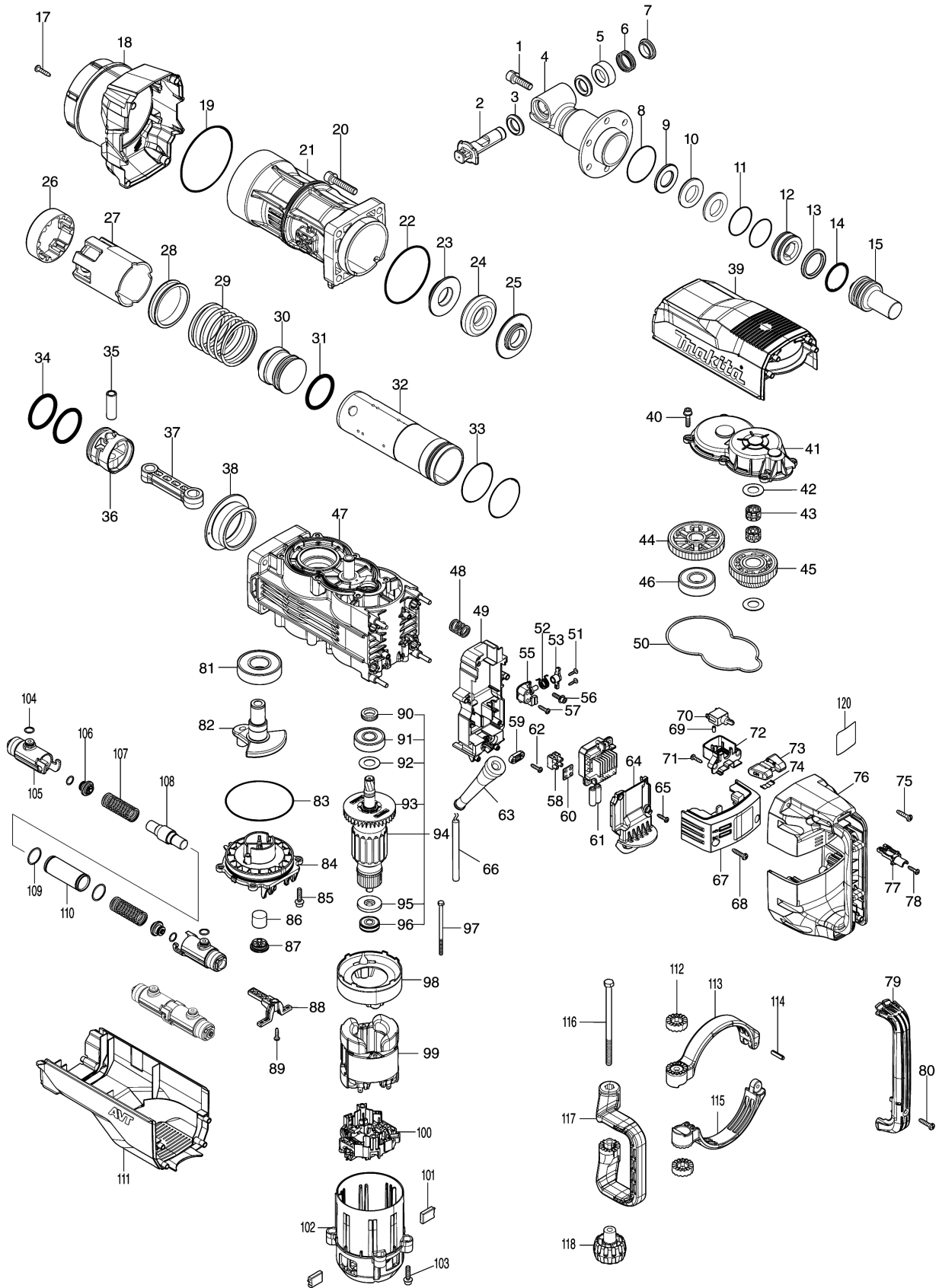


Model No.HM1511 ELECTRIC BREAKER





Model No.HM1511 ELECTRIC BREAKER

Item	Parts No.	Description	I/C	QTY	New/Old	Opt. 1	Opt. 2	NOTE
001	265B53-0	H.S HEAD BOLT M10X35 WM		6				
002	327671-1	TOOL RETAINER		1				
003	262197-5	RUBBER RING 20		2				
004	313322-2	TOOL HOLDER A		1				
005	327672-9	SPRING BASE B		1				
006	232641-6	COMPRESSION SPRING 28		1				
007	327670-3	RETAINER SLEEVE		1				
008	213670-8	O RING 58		1				
009	253487-7	FLAT WASHER 26		1				
010	262198-3	URETHANE RING 26		2	*			
010-1	262198-3	URETHANE RING 26	<	2				
011	213569-7	O RING 45		2				
012	327674-5	RING 24		1				
013	213911-2	X-RING 38		1				
014	213912-0	O-RING 40		1				
015	327668-0	IMPACT BOLT A		1				
017	266041-8	TAPPING SCREW 5X25		4				
018	412874-1	BARREL COVER		1				
019	213916-2	O-RING106		1				
020	265B55-6	H.S HEAD BOLT M10X50 WM		4				
021	313324-8	BARREL		1				
022	213806-9	O RING 90		1				
023	327667-2	SHOULDER RING 30 B		1				
024	262196-7	RUBBER RING 31		1				
025	327666-4	SHOULDER RING 30 A		1				
026	313321-4	GUIDE RING		1				
027	412859-7	SLIDE SLEEVE		1				
028	327664-8	SLEEVE 65		1				
029	232646-6	COMPRESSION SPRING 66		1				
030	327665-6	STRIKER		1				
031	213913-8	O-RING 48		1				
032	327662-2	CYLINDER 59		1				
033	213656-2	O RING 53		2				
034	213913-8	O-RING 48		2				
035	327663-0	PIPE 15		1				
036	412858-9	PISTON		1				
037	412857-1	CONNECTING ROD		1				
038	327661-4	SPACER		1				
039	412875-9	TOP COVER		1				
040	266923-4	H.S.HEAD BOLT M6X25 WITH GM		6				
041	413211-2	GEAR COVER		1				
042	267487-1	FLAT WASHER 17		2				

Please order the parts with part number.

Print Date 4/7/2021

Model No.HM1511 ELECTRIC BREAKER

Item	Parts No.	Description	I/C	QTY	New/Old	Opt. 1	Opt. 2	NOTE
043	212230-3	NEEDLE CAGE 1715		2				
044	227832-2	HELICAL GEAR 53		1				
045	227833-0	GEAR COMPLETE 31-45		1				
046	210234-9	BALL BEARING 2216LLB		1				
047	140W38-2	CRANK HOUSING A COMPLETE		1				
048	232644-0	COMPRESSION SPRING 16 A		4				
049	412868-6	CONTROLLER CASE		1				
050	422636-9	SEAL RING		1				
051	263046-9	TAPPING SCREW 3X14		2				
052	232643-2	TORSION SPRING 13		1				
053	140W48-9	LEVER COMPLETE		1				
055	412871-7	BASE		1				
056	266903-0	HEX.S.HEAD BOLT M5X20 WITH WR		2				
057	265995-6	TAPPING SCREW 4X18		2				
058	654741-6	TERMINAL BLOCK		2				
059	687053-2	STRAIN RELIEF		1				
060	685756-2	RUBBER SHEET		2				
061	620E02-6	CONTROLLER		1				
C10	688165-4	LINE FILTER		2				
062	265995-6	TAPPING SCREW 4X18		2				
063	682560-0	CORD GUARD 10		1				
064	412869-4	CORD COVER		1				
065	265995-6	TAPPING SCREW 4X18		4				
066	666426-2	POWER SUPPLY CORD 1.00-2-5.0		1				
067	140W49-7	CONTROLLER COVER COMPLETE		1				
068	266041-8	TAPPING SCREW 5X25		2				
069	263027-3	RUBBER PIN 4		1				
070	651423-1	SWITCH		1				
071	265995-6	TAPPING SCREW 4X18		2				
072	412878-3	SWITCH HOLDER		1				
073	451112-6	SLIDE LEVER		1				
074	232209-8	LEAF SPRING		1				
075	266041-8	TAPPING SCREW 5X25		8				
076	140W50-2	HANDLE COMPLETE		1				
C10	263044-3	RUBBER PIN 6		4				
077	412879-1	SWITCH SUPPORT		1				
078	265995-6	TAPPING SCREW 4X18		1				
079	412880-6	HANDLE COVER		1				
080	266041-8	TAPPING SCREW 5X25		1				
081	210233-1	BALL BEARING 2818LLU		1				

Model No.HM1511 ELECTRIC BREAKER

Item	Parts No.	Description	I/C	QTY	New/Old	Opt. 1	Opt. 2	NOTE
082	327660-6	CRANK SHAFT		1				
083	213914-6	O-RING 100		1				
084	412862-8	CRANK CAP A		1				
085	266923-4	H.S.HEAD BOLT M6X25 WITH GM		4				
086	443127-7	FILTER		1				
087	424668-2	FILTER CAP		1				
088	412867-8	FILTER GUIDE		1				
089	265995-6	TAPPING SCREW 4X18		1				
090	332129-7	SEALING SCREW		1				
091	211152-4	BALL BEARING 6303LLU		1				
092	267487-1	FLAT WASHER 17		1				
093	240213-3	FAN 80		1				
094	515544-2	ARMATURE ASSY 240V		1				
D10		INC. 90-93,95,96						
095	681630-2	INSULATION WASHER		1				
096	210232-3	BALL BEARING 6200DDW		1				
097	265B54-8	+ HEX BOLT M5X95 WITH GM		2				
098	412861-0	BUFFLE PLATE		1				
099	634749-6	FIELD 240V		1				
100	632R65-8	BRUSH HOLDER UNIT		1				
101	197128-4	CARBON BRUSH CB-218		1				
102	412860-2	MOTOR HOUSING		1				
103	266923-4	H.S.HEAD BOLT M6X25 WITH GM		4				
104	213058-2	O RING 10		8				
105	412865-2	PIPE HOLDER		4				
106	412866-0	SPRING GUIDE		4				
107	232642-4	COMPRESSION SPRING 18		4				
108	327679-5	COUNTER WEIGHT		2				
109	213915-4	O-RING 25		4				
110	327680-0	PIPE 22		2				
111	412876-7	REAR COVER A		1				
112	417002-3	SIDE HANDLE CAM		2				
113	312A28-5	SIDE HANDLE BASE A		1				
114	951166-8	SPRING PIN 5-24		1				
115	312A29-3	SIDE HANDLE BASE B		1				
116	265439-6	HEX. BOLT M8X150		1				
117	412881-4	SIDE HANDLE		1				
118	252640-2	WING NUT M8		1				
120	858C53-9	HM1511 NAME PLATE		1				
A01	D-15285	BULL POINT 400		1				
A02	821836-2	PLASTIC CARRYING CASE		1				

Please order the parts with part number.

Print Date 4/7/2021

Model No.HM1511 ELECTRIC BREAKER

Item	Parts No.	Description	I/C	QTY	New/Old	Opt. 1	Opt. 2	NOTE
A03	8028F9-6	HM1511 PLASTIC CASE LABEL		2				

Please order the parts with part number.

Print Date 4/7/2021