



Washer

User manual

WF45B6300A*

SAMSUNG



Contents

Safety information	4
What you need to know about the safety instructions	4
Important safety symbols	4
Important safety precautions	5
CALIFORNIA PROPOSITION 65 WARNING	5
Critical installation warnings	6
Installation cautions	7
Critical usage warnings	7
Usage cautions	9
Critical cleaning warnings	12
Regulatory notice	13
FCC Notice	13
IC Notice	14
Open Source Announcement	15
Installation	16
Unpacking your washer	16
What's included	17
Installation requirements	19
Step-by-step installation	23
Before you start	28
Initial settings	28
Laundry guidelines	28
Detergent drawer guidelines	30
Operations	33
Control panel	33
Simple steps to start	36
Cycle overview	37
Cycle chart	38
Special features	40
SmartThings	42



Maintenance	43
SELF CLEAN ⁺	43
Smart Care	44
Emergency drain	45
Cleaning	46
Recovery from freezing	50
Care for an extended period of non-use	50
Cleaning the exterior	50
Cleaning the interior	50
Troubleshooting	51
Checkpoints	51
Information codes	55
Specifications	57
Fabric care chart	57
Protecting the environment	58
Declaration of conformity	58
Specification sheet	59



Safety information

Congratulations on your new Samsung washer. This manual contains important information on the installation, use and care of your appliance. Please take some time to read this manual to take full advantage of your washer's many benefits and features.

What you need to know about the safety instructions

Please read this manual thoroughly to ensure that you know how to safely and efficiently operate the extensive features and functions of your new appliance. Please store the manual in a safe location close to the appliance for future reference. Use this appliance only for its intended purpose as described in this instruction manual.

Warnings and Important Safety Instructions in this manual do not cover all possible conditions and situations that may occur. It is your responsibility to use common sense, caution and care when installing, maintaining and operating your washer.

Because the following operating instructions cover various models, the characteristics of your washer may differ slightly from those described in this manual and not all warning signs may be applicable. If you have any questions or concerns, contact your nearest service center or find help and information online at www.samsung.com.

Important safety symbols

What the icons and signs in this user manual mean:

WARNING

Hazards or unsafe practices that may result in **severe personal injury, death and/or property damage.**

CAUTION

Hazards or unsafe practices that may result in **personal injury and/or property damage.**

NOTE

Indicates that a risk of personal injury or material damage exists.

These warning signs are here to prevent injury to yourself and others.

Please follow them explicitly.

After reading this manual, store it in a safe place for future reference.

Read all instructions before using the appliance.

As with any equipment that uses electricity and moving parts, potential hazards exist. To safely operate this appliance, familiarize yourself with its operation and exercise care when using it.

SAVE THESE INSTRUCTIONS



Important safety precautions

WARNING

To reduce the risk of fire, electric shock, or injury to persons when using your appliance, follow basic precautions, including the following:

1. Read all instructions before using the appliance.
2. Do not wash or dry articles that have been previously cleaned in, washed in, soaked in, or spotted with gasoline, dry-cleaning solvents, other flammable or explosive substances as they give off vapors that could ignite or explode.
3. Do not allow children to play on or in the appliance. Close supervision of children is necessary when the appliance is used near children.
4. Before the appliance is removed from service or discarded, remove the door to the washing or drying compartment.
5. Do not reach into the appliance if the drum is moving.
6. Do not install or store this appliance where it will be exposed to the weather.
7. Do not tamper with controls.
8. Do not repair or replace any part of the appliance or attempt any servicing unless specifically recommended in the user-maintenance instructions or in published user repair instructions that you understand and have the skills to carry out.
9. Do not add gasoline, dry-cleaning solvents, or other flammable or explosive substances to the wash water. These substances give off vapors that could ignite or explode.
10. Under certain conditions, hydrogen gas may be produced in a hot water system that has not been used for 2 weeks or more. **HYDROGEN GAS IS EXPLOSIVE.** If the hot water system has not been used for such a period, before using a washer or combination washer-dryer, turn on all hot water faucets and let the water flow from each for several minutes. This will release any accumulated hydrogen gas. As the gas is flammable, do not smoke or use an open flame during this time.

CALIFORNIA PROPOSITION 65 WARNING

WARNING

Cancer and Reproductive Harm - www.P65Warnings.ca.gov.

SAVE THESE INSTRUCTIONS

Safety information

Critical installation warnings

WARNING

The installation of this appliance must be performed by a qualified technician or service company.

- Failure to do so may result in electric shock, fire, an explosion, problems with the product, or injury.

The appliance is heavy, therefore take care when lifting it.

Plug the power cord into a wall socket that meets local electrical specifications. Use the socket for this appliance only, and do not use an extension cord.

- Sharing a wall socket with other appliances, using a power strip, or extending the power cord may result in electric shock or fire.
- Ensure that the voltage, frequency, and current supplied to the washer matches those listed in the product specifications. Failure to do so may result in electric shock or fire. Plug the power plug into the wall socket firmly.

Remove all foreign substances such as dust or water from the power plug terminals and contact points using a dry cloth on a regular basis.

- Unplug the power plug and clean it with a dry cloth.
- Failure to do so may result in electric shock or fire.

Plug the power plug into the wall socket so that the cord is running towards the floor.

- If you plug the power plug into the socket in the opposite direction, the electric wires within the cable may be damaged and this may result in electric shock or fire.

Keep all packaging materials out of the reach of children as these may be dangerous.

- If a child places a plastic bag over his or her head, he or she can suffocate.

If the appliance, power plug, or power cord is damaged, contact your nearest service center.

This appliance must be properly grounded.

Do not ground the appliance to a gas pipe, plastic water pipe, or telephone line.

- This may result in electric shock, fire, an explosion, or problems with the product.
- Never plug the power cord into a socket that is not grounded correctly. Make sure that the socket is in accord with local and national regulations.

Do not install this appliance near a heater or any flammable material.

Do not install this appliance in a humid, oily or dusty location, or in a location exposed to direct sunlight or water (rain drops).

Do not install this appliance in a location exposed to low temperatures.

- Frost may cause the tubes to burst.

Do not install this appliance in a location where gas may leak.

- This may result in electric shock or fire.

SAVE THESE INSTRUCTIONS

Do not use an electric transformer to power the washer.

- This may result in electric shock or fire.

Do not use a damaged power plug, damaged power cord, or loose wall socket.

- This may result in electric shock or fire.

Do not pull or bend the power cord excessively.

Do not twist or tie the power cord.

Do not hook the power cord over a metal object, place a heavy object on the power cord, insert the power cord between objects, or push the power cord into the space behind the appliance.

- This may result in electric shock or fire.

Do not pull the power cord when unplugging the power plug.

- Unplug the power plug by pulling the plug.
- Failure to do so may result in electric shock or fire.

This appliance should be positioned so that the power plug, the water supply taps, and the drain pipes are accessible.

Installation cautions

CAUTION

This appliance should be positioned in such a way that the power plug is easily accessible.

- Failure to do so may result in electric shock or fire due to electric leakage.

Install your appliance on a solid, level floor that can support its weight.

- Failure to do so may result in abnormal vibrations, movement, noise, or problems with the product.

Critical usage warnings

WARNING

If the appliance is flooded, turn off the water & power supplies immediately and contact your nearest service center.

- Do not touch the power plug with wet hands.
- Failure to do so may result in electric shock.

If the appliance generates a strange noise, a burning smell, or smoke, unplug the power plug immediately and contact your nearest service center.

- Failure to do so may result in electric shock or fire.

SAVE THESE INSTRUCTIONS



Safety information

In the event of a gas leak (such as propane gas, LP gas, etc.), ventilate immediately without touching the power plug. Do not touch the appliance or power cord.

- Do not use a ventilating fan.
- A spark may result in an explosion or fire.

Do not let children play in or on the washer. In addition, when disposing of the appliance, remove the washer door lever.

- Children can suffocate to death if trapped inside the product.

Make sure to remove the packaging (sponge, styrofoam) attached to the bottom of the washer before using it.

Do not wash items contaminated with gasoline, kerosene, benzene, paint thinner, alcohol, or other inflammable or explosive substances in the washer.

- This may result in electric shock, fire, or an explosion.

Do not open the washer door by force while it is operating (high-temperature washing/drying/spinning).

- Water flowing out of the washer may result in burns or cause the floor to be slippery. This may result in injury.
- Opening the door by force may result in damage to the product or injury.

Do not insert your hand under the washer while an operation is in progress.

- This may result in injury.

Do not touch the power plug with wet hands.

- This may result in electric shock.

Do not turn the appliance off by unplugging the power plug while an operation is in progress.

- Plugging the power plug into the wall socket again may cause a spark and result in electric shock or fire.

Do not let children climb in or onto the appliance.

- This may result in electric shock, burns, or injury.

Do not insert your hand or a metal object under the washer while it is operating.

- This may result in injury.

Do not unplug the appliance by pulling the power cord. Always grip the plug firmly and pull it straight out of the outlet.

- Damage to the power cord may cause a short-circuit, fire, and/or electric shock.

Do not attempt to repair, disassemble, or modify the appliance yourself.

- Do not use a fuse (such as copper, steel wire, etc.) other than a standard fuse.
- When the appliance needs to be repaired or reinstalled, contact your nearest service center.
- Failure to do so may result in electric shock, fire, problems with the product, or injury.

If the water supply hose comes loose from the faucet and floods the appliance, unplug the power plug.

- Failure to do so may result in electric shock or fire.

SAVE THESE INSTRUCTIONS



Unplug the power plug when the appliance is not being used for long periods of time or during a thunder or lightning storm.

- Failure to do so may result in electric shock or fire.

If any foreign substance enters the appliance, unplug the power plug and contact your nearest Samsung Customer Service.

- This may result in electric shock or fire.

Do not let children (or pets) play in or on your washer. The washer door does not open easily from the inside and children may be seriously injured if trapped inside.

Usage cautions

CAUTION

If the washer is contaminated by a foreign substance such as detergent, dirt, food waste, etc., unplug the power plug and clean the washer using a damp, soft cloth.

- Failure to do so may result in discoloration, deformation, damage, or rust.

The front glass may be broken by a strong impact. Take care when using the washer.

- If the glass is broken, it may result in injury.

After a water supply failure or when reconnecting the water supply hose, open the faucet slowly.

Open the faucet slowly after a long period of non-use.

- The air pressure in the water supply hose or the water pipe may damage a product part or result in a water leak.

If a draining error occurs during an operation, check if there is a draining problem.

- If the washer is used when it is flooded because of a draining problem, it may result in electric shock or fire.

Insert the laundry into the washer completely so that the laundry does not get caught in the door.

- If laundry gets caught in the door, it may result in damage to the laundry or the washer, or result in a water leak.

Turn the water supply off when the washer is not being used.

- Ensure that the water supply hose connectors are properly tightened.

Ensure that the rubber seal and front door glass are not contaminated by a foreign substance (e.g. waste, thread, hair, etc.).

- If a foreign substance is caught in the door or the door is not completely closed, it may cause a water leak.

SAVE THESE INSTRUCTIONS



Safety information

Open the faucet and check if the water supply hose connectors are firmly tightened and that there are no water leaks before using the product.

- If the connectors on the water supply hoses are loose, it may result in a water leak.

The product you have purchased is designed for domestic use only.

Using the product for business purposes qualifies as a product misuse. If the product is used for business purposes, it will not be covered by the standard warranty provided by Samsung and no responsibility can be attributed to Samsung for malfunctions or damages resulting from such misuse.

Do not stand on the appliance or place objects (such as laundry, lighted candles, lighted cigarettes, dishes, chemicals, metal objects, etc.) on the appliance.

- This may result in electric shock, fire, problems with the product, or injury.

Do not spray volatile material such as insecticide onto the surface of the appliance.

- As well as being harmful to humans, this may result in electric shock, fire, or problems with the product.

Do not place objects that generate electromagnetic fields near the washer.

- This may result in injury due to a malfunction.

Water drained during a high-temperature wash or drying cycle is hot. Do not touch the water.

- This may result in burns or injury.

Do not wash, spin, or dry water-proof seats, mats, or clothing (*) unless your appliance has a special cycle for washing these items.

(*): Woolen bedding, rain covers, fishing vests, ski pants, sleeping bags, diaper covers, sweat suits, and bicycle, motor cycle and car covers, etc.

- Do not wash thick or hard mats even if the washer mark is on the care label. This may result in injury or damage to the washer, walls, floor, or clothing due to abnormal vibrations.
- Do not wash throw rugs or doormats with rubber backing. The rubber backing may come off and stick to inside the drum, and this may result in malfunction such as a drainage error.

Do not operate the washer when the detergent drawer is removed.

- This may result in electric shock or injury due to a water leak.

Do not touch the insides of the drum during or just after drying as it is hot.

- This may result in burns.

The door glass becomes hot during washing and drying. Therefore, do not touch the door glass.

Also, do not allow children to play around the washer or touch the door glass.

- This may result in burns.

Do not insert your hand into the detergent drawer.

- This may result in injury as your hand may be caught by the detergent input device.

SAVE THESE INSTRUCTIONS



- Do not use the liquid detergent container (on applicable models only) for powdered detergent. Remove the container and put powdered detergent directly into the Main wash compartment.

Do not place any objects (such as shoes, food waste, animals) other than laundry into the washer.

- This may result in damage to the washer, or injury and death in the case of pets, due to the abnormal vibrations.

Do not press the buttons using sharp objects such as pins, knives, fingernails, etc.

- This may result in electric shock or injury.

Do not wash laundry contaminated by oils, creams, or lotions usually found in skincare shops or massage clinics.

- This may cause the rubber seal to become deformed and result in a water leak.

Do not leave metal objects such as safety pins, hair pins or bleach in the drum for long periods of time.

- Doing either may cause the drum to rust.
- If rust starts appearing on the surface of the drum, apply a (neutral) cleansing agent to the surface and use a sponge to clean it. Never use a metal brush.

Do not use dry cleaning detergent directly and do not wash, rinse, or spin laundry contaminated by dry cleaning detergent.

- This may result in spontaneous combustion or ignition due to the heat from the oxidation of the oil.

Do not use water from water cooling/heating devices.

- This may result in problems with the washer.

Do not use natural hand-washing soap for the washer.

- If it hardens and accumulates inside the washer, it may result in problems with the product, discoloration, rust, or bad odors.

Place socks and brassieres in a washing net and wash them with the other laundry.

Do not wash large laundry items such as bedding in the washing net.

- Failure to do so may result in injury due to abnormal vibrations.

Do not use hardened detergent.

- If it accumulates inside the washer, it may result in a water leak.

Make sure that the pockets of all the clothing items to be washed are empty.

- Hard, sharp objects such as coins, safety pins, nails, screws, or stones can cause extensive damage to the appliance.

Do not wash clothing with large buckles, buttons, or other heavy metal objects in the washer.

Sort the laundry by color on the basis of its colorfastness and select the recommended cycle, water temperature, and additional functions.

- Failure to do this may result in discoloration or fabric damage.

SAVE THESE INSTRUCTIONS

Safety information

Take care that children's fingers are not caught in the door when you close it.

- Failure to do so may result in injury.

Critical cleaning warnings

WARNING

Do not clean the appliance by spraying water directly onto it.

Do not use a strong acidic cleaning agent.

Do not use benzene, thinner, or alcohol to clean the appliance.

- This may result in discoloration, deformation, damage, electric shock, or fire.

Before cleaning or performing maintenance, unplug the appliance from the wall socket.

- Failure to do so may result in electric shock or fire.

SAVE THESE INSTRUCTIONS

Regulatory notice

FCC Notice

CAUTION

Any changes or modifications not expressly approved by the party responsible for compliance could void the user's authority to operate the equipment.

This device complies with Part 15 of FCC Rules. Operation is Subject to following two conditions:

1. This device may not cause harmful interference, and
2. This device must accept any interference received including interference that cause undesired operation.

For products sold in the US and Canadian markets, only channels 1–11 are available. You cannot select any other channels.

FCC STATEMENT:

This equipment has been tested and found to comply within the limits for a Class B digital device, pursuant to part 15 of the FCC Rules. These limits are designed to provide reasonable protection against harmful interference in a residential installation.

This equipment generates, uses, and can radiate radio frequency energy and, if not installed and used in accordance with the instructions, may cause harmful interference to radio communications. However, there is no guarantee that interference will not occur in a particular installation. If this equipment does cause harmful interference to radio or television reception, which can be determined by turning the equipment off and on, the user is encouraged to try to correct the interference by one or more of the following measures:

- Reorienting or relocating the receiving antenna
- Increasing the separation between the equipment and receiver
- Connecting the equipment to an outlet that is on a different circuit than the radio or TV.
- Consulting the dealer or an experienced radio/TV technician for help.

FCC RADIATION EXPOSURE STATEMENT:

This equipment complies with FCC radiation exposure limits set forth for an uncontrolled environment. This equipment should be installed and operated so there is at least 8 inches (20 cm) between the radiator and your body. This device and its antenna(s) must not be colocated or operated in conjunction with any other antenna or transmitter.

SAVE THESE INSTRUCTIONS



Regulatory notice

IC Notice

The term “IC” before the radio certification number only signifies that Industry Canada technical specifications were met. Operation is subject to the following two conditions:

1. This device may not cause interference, and
2. This device must accept any interference, including interference that may cause undesired operation of the device.

This Class B digital apparatus complies with Canadian ICES-003.

Cet appareil numérique de la classe B est conforme à la norme NMB-003 du Canada.

For products sold in the US and Canadian markets, only channels 1–11 are available. You cannot select any other channels.

IC RADIATION EXPOSURE STATEMENT:

This equipment complies with IC RSS-102 radiation exposure limits set forth for an uncontrolled environment. This equipment should be installed and operated so there is at least 8 inches (20 cm) between the radiator and your body. This device and its antenna(s) must not be colocated or operated in conjunction with any other antenna or transmitter.



SAVE THESE INSTRUCTIONS



Open Source Announcement

The software included in this product contains open source software. You may obtain the complete corresponding source code for a period of three years after the last shipment of this product by contacting our support team via <http://opensource.samsung.com> (Please use the "Inquiry" menu.)

It is also possible to obtain the complete corresponding source code in a physical medium such as a CD-ROM; a minimal charge will be required.

The following URL http://opensource.samsung.com/opensource/SMART_AT_051/seq/0 leads to the open source license information as related to this product. This offer is valid to anyone in receipt of this information.



NOTE

Hereby, Samsung Electronics, declares that the radio equipment type appliance is in compliance with Directive 2014/53/EU. The full text of the EU declaration of conformity is available at the following internet address: The official Declaration of conformity may be found at <http://www.samsung.com>, go to Support > Search Product Support and enter the model name.

Wi-Fi max transmitter power : 20 dBm at 2.412 GHz – 2.472 GHz

SAVE THESE INSTRUCTIONS



Installation

Follow these instructions carefully to ensure proper installation of your washer and to prevent accidents when doing laundry.

⚠ WARNING

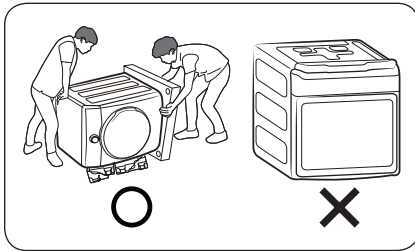
Certain internal parts are intentionally not grounded and may present a risk of electric shock only during servicing. Service personnel – Do not contact the following parts while the appliance is energized: Control board, heat sink, motor, inlet valve and pump.

Unpacking your washer

Unpack your washer and inspect it for shipping damage. Make sure you have received all the items shown on the next page. If your washer was damaged during shipping, or you do not have all of the items, call 1-800-SAMSUNG (1-800-726-7864). To prevent personal injury or strain, wear protective gloves whenever lifting or carrying the unit.

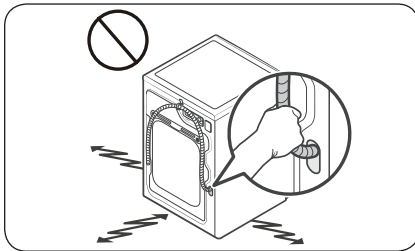
⚠ WARNING

Packing materials can be dangerous to children; Keep all packing material (plastic bags, polystyrene, etc.) well out of children's reach.



⚠ CAUTION

You must have at least 2 people unpack the washer. To remove the cushion bottom of the packing materials, do not tip the washer over on its front side. When you lay the washer down to remove the carton base, protect the side of the washer and lay it down carefully. Never lay your washer on its back or front.



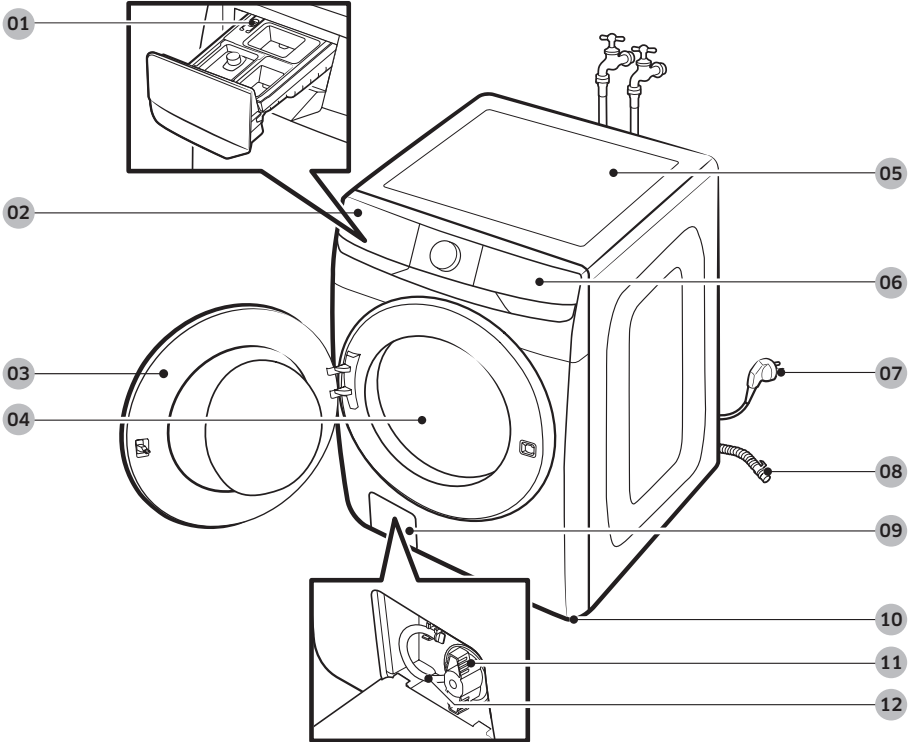
⚠ CAUTION

Do not grab or pull the drain hose to drag and move the product.



What's included

Make sure all the parts are included in the product package. If you have a problem with the washer or the parts, contact the Samsung customer care center at 1-800-SAMSUNG (1-800-726-7864) or your retailer.



- | | | |
|------------------|---------------------|-------------------------|
| 01 Release lever | 02 Detergent drawer | 03 Door |
| 04 Drum | 05 Worktop | 06 Control panel |
| 07 Power plug | 08 Drain hose | 09 Filter cover |
| 10 Leveling feet | 11 Pump filter | 12 Emergency drain tube |



Installation

Parts supplied



Wrench



Bolt caps



Hose guide

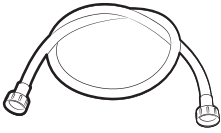


Cable tie



Anti-slip pads

Parts not supplied



Water hoses (sold separately)

Tools needed for installation



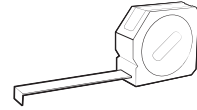
Phillips screwdriver



Level



Adjustable pliers



Measuring tape

NOTE

- Bolt caps: The number (3 to 6) of bolt caps provided depends on the model.
- The appearance of the washer and provided accessories may differ with the model.
- To purchase an accessory or lost part, contact a local Samsung service center or the retailer.

CAUTION

- Do not reuse old water hoses, which may leak or burst, causing flooding and/or property damage.
- Make sure rubber washers are inserted in each coupling of both water hoses.



Installation requirements

Electrical supply and grounding

- AC 120 V / 60 Hz / 15 AMP fuse or circuit breaker is required.
- Use an individual branch circuit. Connect only the washer to the circuit.

To ensure proper grounding, the washer comes with a power cord featuring a three-prong grounding plug for use in a properly installed and grounded outlet.

Check with a qualified electrician or service person if you are not sure about the grounding.

Do not modify the provided plug. If it does not fit the outlet, call a qualified electrician to install a proper outlet.

WARNING

- Do NOT use an extension cord.
- Use only the power cord that comes with the washer.
- Do NOT connect the ground wire to plastic plumbing, gas lines, or hot water pipes.
- Improperly connected grounding conductors may cause electric shock.
- To prevent unnecessary risk of fire, electrical shock, or personal injury, all wiring and grounding must be done in accordance with local codes, or in the absence of local codes, in accordance with the National Electrical Code, ANSI/NFPA No. 70-Latest Revision (for the U.S.) or the Canadian Electrical Code CSA C22.1 – Latest Revisions and local codes and ordinances. It is your responsibility to provide adequate electrical service for your washer.

Water supply

Proper water pressure for this washer is between 20-116 psi (137-800 kPa). Water pressure less than 20 psi (137 kPa) may cause the water valve not to close completely. Or, it may take longer to fill the drum, causing the washer to turn off. Water taps must be within 4 ft. (122 cm) from the rear of the washer so that the provided inlet hoses reach the washer.

To reduce the risk of leaks:

- Make sure water taps are easily accessible.
- Turn off the taps when the washer is not in use.
- Check for any leaks at the water inlet hose fittings on a regular basis.

CAUTION

Before using the washer for the first time, check all connections at the water valve and taps for any leaks.

Drain

Samsung recommends a standpipe 18 in. (460 mm) high. The drain hose must be connected through the hose clip to the standpipe, and the standpipe must fully cover the drain hose.

Installation

Flooring

For best performance, the washer must be installed on a solid floor. Wood floors may need to be reinforced to minimize vibration and/or unbalanced loads. Carpeting and soft tile surfaces do not provide good resistance to vibrations and may cause the washer to move slightly during the spin cycle.

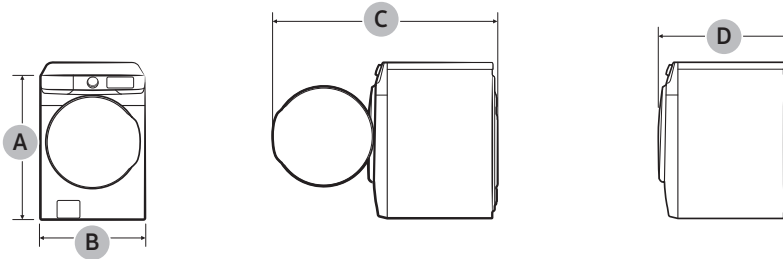
⚠ CAUTION

Do NOT install the washer on a platform or a poorly supported structure.

Water temperature

Do not install the washer in areas where water may freeze as the washer always retains some water in its water valves, pumps, and/or hoses. Frozen water can cause damage to belts, the pump, and other components of the washer.

Dimensions



A. Overall height	38.7 in. (984 mm)
B. Width	27 in. (686 mm)
C. Depth with door open	52.6 in. (1337 mm)
D. Depth	31.3 in (796 mm)

Clearance requirement

This clearance requirement is applicable for washers only.

NOTE

- For dryer's clearance requirement, see the dryer's user manual.
- If the washer and dryer have different clearance requirements, use the one with the larger value.

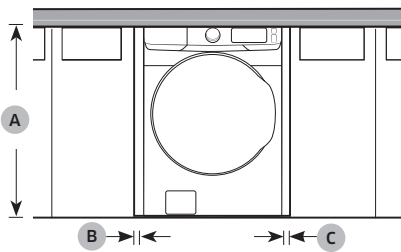
Alcove or closet installations

Minimum clearance for stable operation:

Sides	Top	Rear	Front
1 in. (25 mm)	1 in. (25 mm)	5 in. (127 mm)	1 in. (25 mm)

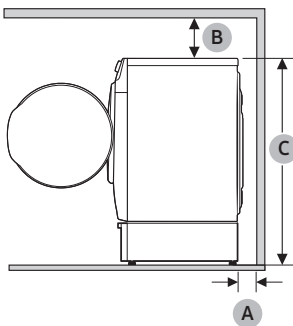
If both the washer and a dryer are installed in the same location, the front of the alcove or closet must have two unobstructed air openings for a combined minimum total area of 72 in.² (465 cm²).

Undercounter installation



A	39.6 in. (1006 mm)
B	1 in. (25 mm)
C	1 in. (25 mm)

Pedestal installation



A	5 in. (127 mm)
B	6 in. (152 mm)
C	52.0 in. (1320 mm)

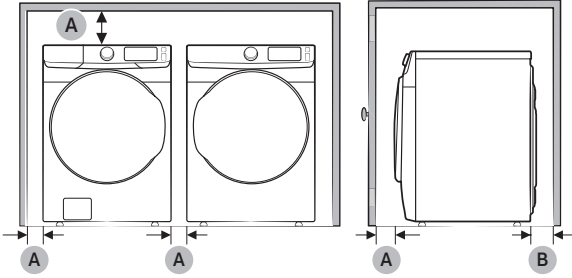


Installation

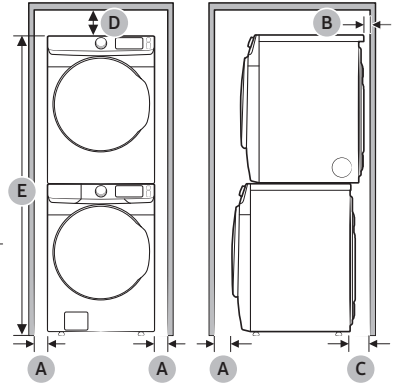
English

This clearance requirement is applicable for washer and dryer pair installation.

Side by side installation



Stacked installation (Model: SKK-8K)



A	1 in. (25 mm)
B	5.2 in. (132 mm)
C	6.4 in. (162 mm)
D	6 in. (152 mm)
E	78.5 in. (1994 mm)

WARNING

- Samsung's washers and dryers can be stacked to maximize usable space.
- The dryer feet need to be removed to stack the washer and dryer. You can purchase an optional stacking kit from your Samsung retailer.



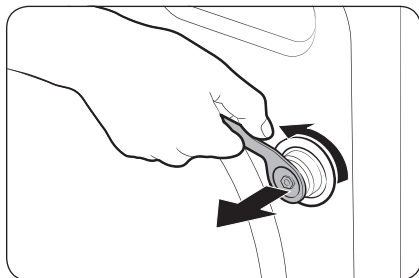
Step-by-step installation

STEP 1 Select a location

Location requirements:

- A solid, level surface without carpeting or flooring that may obstruct ventilation
- No direct sunlight
- Adequate room for ventilation and wiring
- Ambient temperature always higher than the freezing point (32 °F / 0 °C)
- Away from heat sources

STEP 2 Remove the shipping bolts

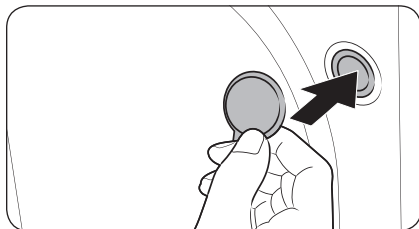


Unpack the product package and remove all shipping bolts.

1. Loosen all shipping bolts on the rear of the machine using the spanner.

NOTE

Use the enclosed end of the supplied wrench to remove the shipping bolts.



2. Fill the holes with the supplied plastic bolt caps. Keep the shipping bolts for future use.

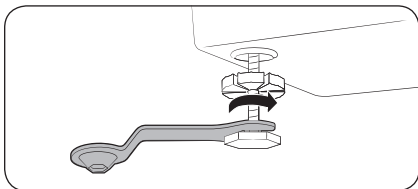
WARNING

- The shipping bolts secure the tub during product transportation and reduce the chance of suspension damage. Remove the shipping bolts before using the product and only reassemble them back in case you need to move the product.
- Packaging materials can be dangerous to children. Dispose all packaging material (plastic bags, polystyrene, etc.) out of children's reach.

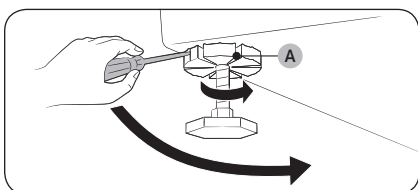


Installation

STEP 3 Adjust the leveling feet



1. Gently slide the washer into position. Excessive force may damage the leveling feet.
2. Using a wrench, turn the leveling feet clockwise or counterclockwise to adjust the height until the washer is level.

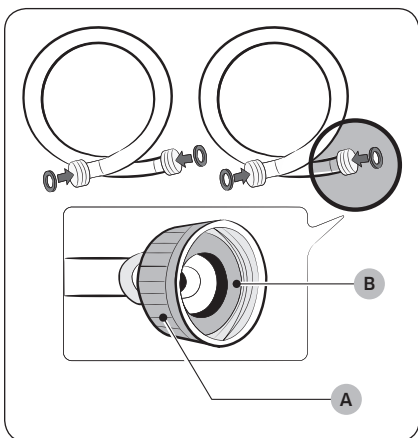


3. Using a flathead screwdriver, tighten the **locking nuts (A)**.

NOTE

Use the open-end of the supplied wrench to adjust the leveling feet.

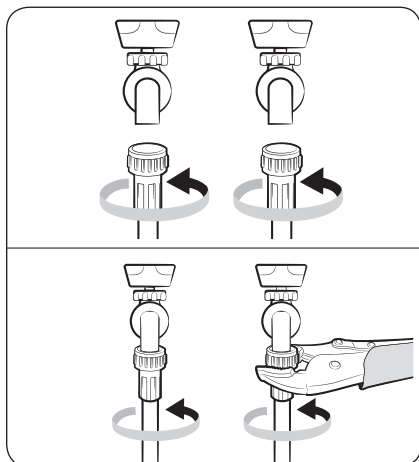
STEP 4 Connect the water hose



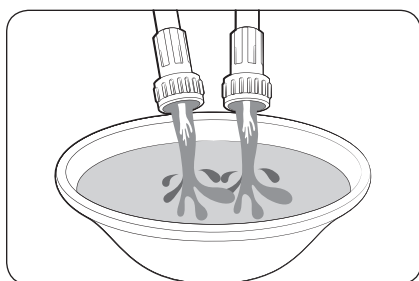
CAUTION

- Make sure to use new water hoses and that **rubber gaskets (B)** are inside the **couplings (A)** at both ends of the hoses. Water hoses without the gaskets may leak.
- Allow 5 in. (127 mm) of space between the back of the washer and the wall to prevent water hoses from being kinked. Kinked hoses may cause water leaks.
- If there is a water leak, stop using the washer and contact a local Samsung service center. A water leak may cause electric shock.
- Do not stretch the water hoses by force. If a hose is too short, replace the hose with a longer hose.

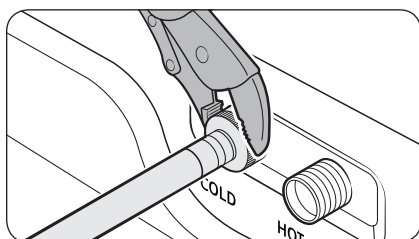




1. Attach the water hoses to the hot and cold water taps, and then hand tighten the water hose fittings until they are tight. Then, use pliers to tighten the fittings by an additional two-thirds of a turn. To avoid damaging the fittings, do not overtighten them.
2. Pull the water hoses to check if they are firmly connected.



3. Put the other ends of the hoses into a bucket, and then open the water taps for 10 - 15 seconds to remove impurities. When done, close the taps.



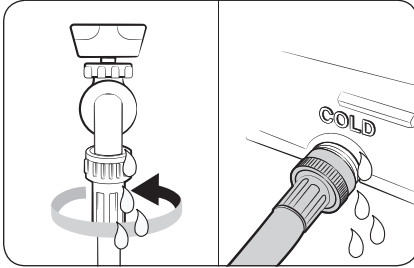
4. Attach the water hoses to the hot and cold water inlets on the back of the washer, and then hand tighten the water hose fittings until they are tight. Then, use pliers to tighten the fittings by an additional two-thirds of a turn.

NOTE

If you do not want to use the hot water supply hose, attach the water intake cap to the hot water supply intake. When you do a wash, press **Temp.** to select Cold.

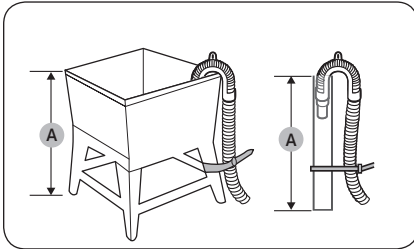


Installation



5. Open the water taps, and check for leaks.

STEP 5 Connect the drain hose



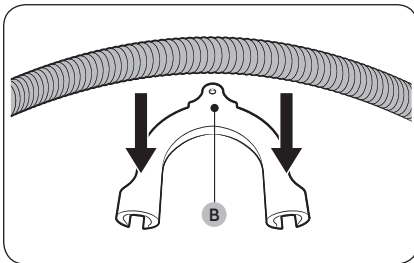
To a Laundry Tub or Drain Pipe

1. Check the **height (A)** of your drain system and make sure the minimum and maximum heights shown below are met.

Minimum	18 in. (46 cm)
Maximum	96 in. (245 cm)

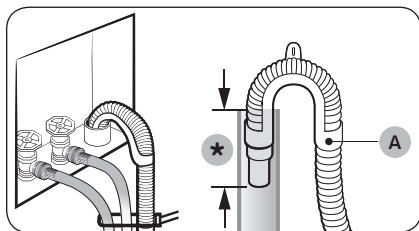
NOTE

- Make sure to measure the height from the floor where the washer is placed.
- Draining efficiency may be reduced if the drain system is at the maximum height.
- To prevent the washer from siphoning water, do not use a drain system below the minimum height.



2. Attach the drain hose to the **plastic hose guide (B)**.





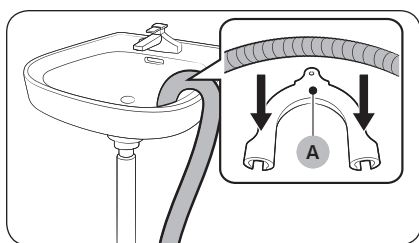
(*): Min. 6 in. (152 mm), Max. 8 in. (203 mm)

3. Route the drain hose to the drain system.

⚠ CAUTION

- If using a standpipe, make sure the standpipe and drain hose connection is not airtight.
- If using a standpipe, make sure the drain hose is inserted at least 6 in. (152 mm) but no more than 8 in. (203 mm) into the standpipe.

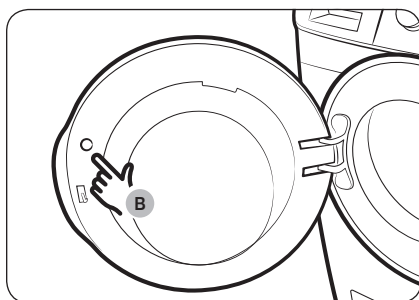
4. Secure the drain hose with cable ties.



Over the edge of a wash basin

The drain hose must be placed no lower than 24 in. (60 cm) and no higher than 35 in. (90 cm) from the floor. To keep the spout of the drain hose bent, use the supplied plastic **hose guide (A)**. Secure the guide to the wall using a hook to ensure stable drainage.

STEP 6 Remove the film inside the door



Remove the **small circle of film (B)** above the door latch before use.

STEP 7 Power on

Plug the power cord into an AC 120 V / 60 Hz / 15 AMP approved electrical outlet protected by a fuse or circuit breaker. Then, press **Power** to turn on the washer.



Before you start

Initial settings

Run Calibration (recommended)

Calibration ensures accurate weight detection by the washer. Make sure the drum is empty before running Calibration.

1. Press **Power** to turn on the washer.
2. Press and hold **Temp.** and **Delay End** simultaneously for 3 seconds.
3. Press and hold **Start/Pause (Hold to Start)** to start Calibration.
 - The door is locked during the operation.
 - The drum keeps rotating clockwise and counterclockwise for several minutes.
4. When complete, the washer turns off automatically.

Laundry guidelines

STEP 1 Sort

Sort the laundry according to these criteria:

- Care Label: Sort the laundry into cottons, mixed fibers, synthetics, silks, wools, and rayon.
- Color: Separate whites from colors.
- Size: Mixing different sized items together in the drum improves the washing performance.
- Sensitivity: Wash delicate items separately. For pure, new woolen items, curtains, and silk items, check the labels on the items.

NOTE

Make sure to check the care label on all clothing, and sort clothing accordingly before starting the wash.

STEP 2 Empty pockets

Empty all the pockets of your laundry items

- Metal objects such as coins, pins, and buckles on clothing may damage other laundry items as well as the drum.

Turn clothing with buttons and embroideries inside out

- If pants or jacket zippers are open while washing, the drum may be damaged. Zippers should be closed and fixed with a string.
- Clothing with long strings may become entangled with other clothes. Make sure to tie the strings before starting the wash.



STEP 3 Use a laundry net

- Brassieres (water washable) must be placed in a laundry net. Metal parts of the brassieres may break through and tear other laundry items.
- Small, light clothing such as socks, gloves, stockings, and handkerchiefs may become caught around the door. Place them inside a fine laundry net.
- Do not wash the laundry net by itself without other laundry. This may cause abnormal vibrations that could move the washer and result in injury.

STEP 4 Determine the load capacity

Do not overload the washer. Overloading may cause the washer to wash improperly.

 **NOTE**

When washing bedding or bedding covers, the wash time may be lengthened or the spin efficiency may be reduced.

For bedding or bedding covers, the recommended maximum spin level is Level 2 or Level 3, and the load capacity is 7 lb (3.0 kg) or less.

 **CAUTION**

If the laundry is unbalanced and the “UB” information code is displayed, redistribute the load. Unbalanced laundry may reduce spinning performance.

STEP 5 Add the correct detergent type

The type of detergent you use - general purpose, specifically for woolens, etc. - depends on the type of fabric (cotton, synthetic, delicate items, wool), color, wash temperature, and degree of soiling. Regardless of the specific type of detergent you use, always use “low suds” HE laundry detergent which is designed for automatic washers.

 **NOTE**

- Follow the detergent manufacturer’s recommendations based on the weight of the laundry, the degree of soiling, and the hardness of the water in your local area. If you are not sure about the water hardness, contact your local water authority.
- Do not use detergent that tends to harden or solidify. This detergent may remain after the rinse cycle, blocking the drain outlet.

 **CAUTION**

When washing wool using the WOOL cycle, use only a neutral liquid detergent. Powdered detergent used with the WOOL cycle can remain on the laundry and discolor it.



Before you start

Use HE detergent only



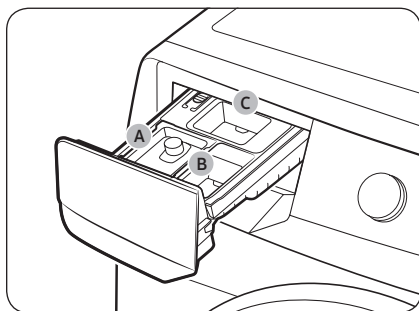
For the best cleaning results, use a high efficiency detergent such as Tide HE, Wisk HE, Cheer HE or Gain HE*. High efficiency detergents contain suds suppressors that reduce or eliminate suds. When fewer suds are produced, the load tumbles more efficiently and cleaning is maximized. (* Brand names are trademarks of their respective manufacturers.)

⚠ WARNING

For best results, use HE detergents only. Do not use non-HE detergent, organic detergent, natural detergent or HE detergents with natural ingredients (such as vinegar, baking soda).

Detergent drawer guidelines

The washer provides a three-compartment dispenser: the front-left compartment for the main wash, the front-right for fabric softeners, and the rear-right for the liquid chlorine bleach.



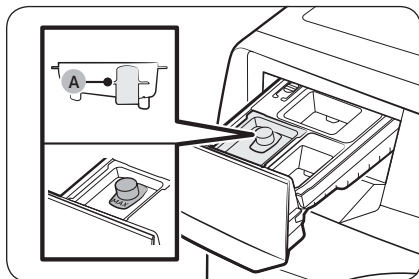
- A. Main-wash compartment:** Add main-wash detergent, water softener, soaking detergent, color-safe, and/or stain removers.
- B. Softener compartment:** Add fabric softener. Do not exceed the **max line**.
- C. Bleach compartment:** Add liquid chlorine bleach. Do not exceed the **max line**.

⚠ CAUTION

- Do not open the detergent drawer while the washer is operating.
- Do not put a tablet or capsule type detergents into the detergent drawer. Put them directly into the drum.
- Do not use a ball type detergent.
- To prevent the compartment from clogging, concentrated or highly-enriched agents (fabric softener or detergent) must be diluted with water before being added.



To add washing agents to the detergent drawer



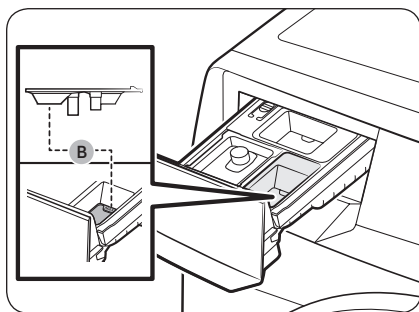
1. Slide open the detergent drawer.
2. Add liquid laundry detergent to the liquid detergent container in the main wash compartment.

⚠ CAUTION

- Make sure the liquid detergent container is inserted in the main wash compartment.
- Do not exceed the marked **max line (A)**.

📖 NOTE

- Do not add powdered laundry detergent or other powdered laundry agents to the liquid laundry container.
- To use powdered detergent, see page 31.



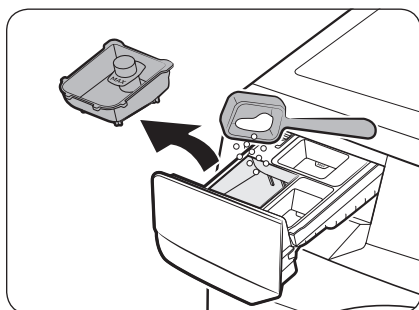
3. Add fabric softener to the **softener compartment**. Do not exceed the **max line (B)**.

⚠ CAUTION

- Powdered fabric softener is not recommended. Use liquid fabric softener only.
- Concentrated fabric softener must be diluted with water before being added.
- Do not add main-wash detergent to the **softener compartment**.

4. Close the detergent drawer.

To use powdered detergent



First, remove the provided liquid detergent container from the **main-wash compartment**. Then, add powdered detergent to the **main-wash compartment** according to the detergent manufacturer's instructions.

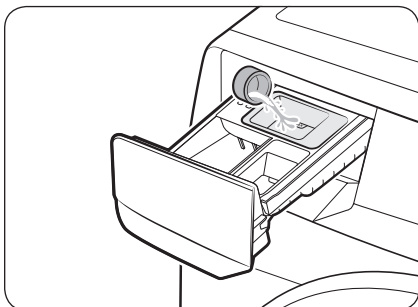
⚠ CAUTION

Do not add powdered detergent to the liquid detergent container.



Before you start

To use the bleach compartment

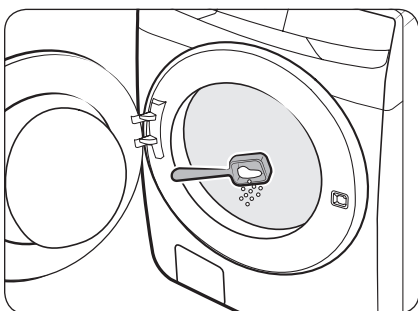


Add only liquid chlorine bleach to the **bleach compartment**. Do not exceed the **max line**.

⚠ CAUTION

Do not add undiluted liquid chlorine bleach directly to the load or to the drum. It is a powerful chemical and can cause fabric damage, such as weakening of the fibers or color loss if not used properly.

To use oxygen boosters or color-safe bleach



Oxygen boosters or color-safe bleach can increase washing performance. Make sure to add the oxygen booster or color-safe bleach after putting the laundry into the drum.

📖 NOTE

To use both powdered detergent and powdered oxygen booster or powdered color-safe bleach, it is more effective to put them together into the drum before loading the laundry.

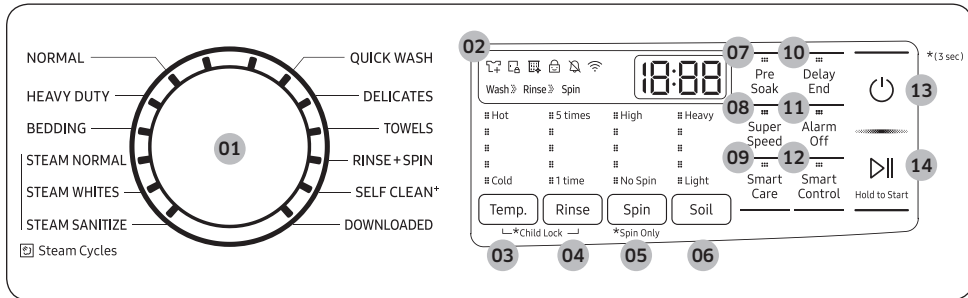


Operations

⚠ WARNING


To reduce the risk of fire, electric shock, or injury to persons, read the Safety information before operating this appliance.

Control panel









01 Cycle Selector	Turn the dial to select a cycle. (For more information about wash cycles, see page 37.)
02 Display	The display shows current cycle information and estimated time remaining, or an information code if the washer needs to be checked.
03 Temp.	<p>Press to change the water temperature for the current cycle.</p> <ul style="list-style-type: none"> • Hot (Level 5): Heavily soiled, colorfast items. • (Level 4): Whites and heavily soiled, colorfast items. • (Level 3): Colorfast items. • (Level 2): Brightly colored, very lightly soiled items. • Cold (Level 1): Uses only cold water without utilizing the washer's heater. No warm water is supplied.
04 Rinse	<p>Press to change the rinse count for the current cycle.</p> <ul style="list-style-type: none"> • You can select 1 to 5 rinses.

Operations

<p>05 Spin</p>	<p>Press to change the spinning speed for the current cycle.</p> <ul style="list-style-type: none"> • High (Level 5): Extends the spinning process to effectively remove moisture from the load. This level uses a stronger spinning process to remove moisture, so it is not suitable for wrinkle-free or non-iron fabrics, or overloads. • (Level 4): Underwear, t-shirts, jeans, and sturdy cottons. • (Level 3): Jeans, wrinkle-free or wash-and-wear items, and synthetics. • (Level 2): Delicate items that require a lower spinning speed. • No Spin (Level 1): The drum does not spin after the final drain process. <p>Rinse hold (All indicators are off): The final rinse process is suspended so that the laundry remains in the water. To unload the laundry, run a drain or spin process.</p> <p> NOTE</p> <p>Spin Only: To perform the spin process only, press and hold Spin for 3 seconds. With the cycle time on the display, press Spin repeatedly until a desired spinning speed is selected. Then, press and hold Start/Pause (Hold to Start) to start.</p>
<p>06 Soil</p>	<p>Press to change the soil level for the current cycle.</p> <ul style="list-style-type: none"> • Heavy (Level 5): For extremely soiled loads. • (Level 4): For heavily soiled loads. • (Level 3): For moderately soiled loads. This setting is best for most loads. • (Level 2): For lightly soiled loads. • Light (Level 1): For barely soiled loads.
<p>07 Pre Soak</p>	<p>Press to add 30 minutes of soaking time at the start of the wash cycle for better stain removal.</p>
<p>08 Super Speed</p>	<p>Press this button if you need to shorten the washing time, applicable for NORMAL, HEAVY DUTY, BEDDING or STEAM WHITES. The shortened time may differ depending on the selected cycle/load/options.</p>
<p>09 Smart Care</p>	<p>This function enables you to check the status of the washer using a smartphone.</p>
<p>10 Delay End</p>	<p>Set the washer to finish your wash automatically at later time. Choose a delay of between 1 to 24 hours (in 1 hour increments). (For more information about Delay End, see page 40.)</p>
<p>11 Alarm Off</p>	<p>Press to turn the alarm sound on or off. When the alarm is off, the cycle completion melody and the power-off beep will not sound. However, button and alert sounds will remain on.</p>

12 Smart Control	After connecting the washer to your home network using the SmartThings app, you can control the washer remotely. When started, the Smart Control indicator blinks and the front door locks. The washer enters waiting mode and waits for remote commands. (For more information about Smart Control, visit the SmartThings app page.)
13 Power	Press to turn the washer on or off.
14 Start/Pause (Hold to Start)	Press and hold to start operation or press to stop operation temporarily.

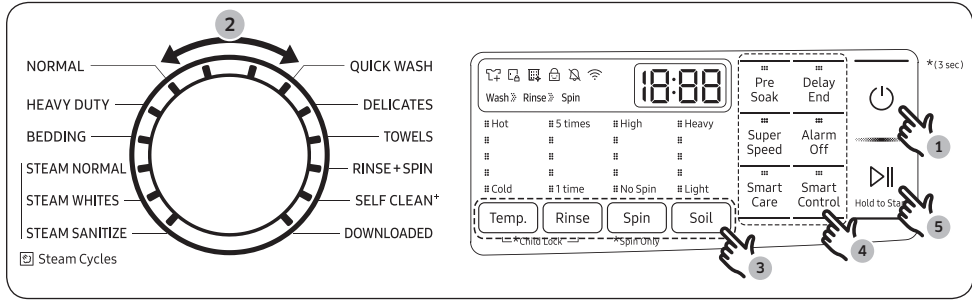
Icon description

	Garment+	<ul style="list-style-type: none"> This icon indicates you can add or take out items after a cycle has started. To add or take out items, press Start/Pause (Hold to Start) to pause the cycle, and then open the door. To resume the cycle, close the door, and then press and hold Start/Pause (Hold to Start).
	Door Lock	<ul style="list-style-type: none"> This icon indicates the door is locked and cannot be opened. The door locks automatically during a cycle and this indicator turns on. You can open the door when this icon disappears.
	SELF CLEAN+ reminder	<ul style="list-style-type: none"> This icon indicates that you should clean the drum using the SELF CLEAN+ cycle. After every 40 cycles, this icon appears for an hour and then turns off automatically. The icon will appear for 5 more cycles, turn off, and then will not appear for another 40 cycles.
	Child Lock	<ul style="list-style-type: none"> This icon indicates that Child Lock is on. For more information on Child Lock, see page 41.
	Alarm Off	<ul style="list-style-type: none"> This icon indicates that the alarm is off. For more information on Alarm Off, see page 41.
	Wi-Fi	<ul style="list-style-type: none"> This icon indicates that the washer is connected to Wi-Fi.



Operations

Simple steps to start



1. Press **Power** to turn on the washer.
2. Turn the **Cycle Selector** to select a cycle.
3. Change the cycle settings (**Temp.**, **Rinse**, **Spin**, and **Soil**) as necessary.
4. Select desired options as necessary.
5. Press and hold **Start/Pause (Hold to Start)**.

To change the cycle during operation

1. Press **Start/Pause (Hold to Start)** to stop operation.
2. Select a different cycle.
3. Press and hold **Start/Pause (Hold to Start)** again to start the new cycle.

WARNING

Do not place anything on top of your washer while it is running.



Cycle overview

NOTE

The washer detects the weight of the items and automatically adjusts the optimal water level, washing time, rinse counts, and spin counts. (This may not be applicable on some cycles.)

Cycle	Description
NORMAL	<ul style="list-style-type: none"> For cottons, bed linens, table linens, underwear, towels, or shirts. The washing time and the number of rinses are automatically adjusted according to the load.
HEAVY DUTY	<ul style="list-style-type: none"> For sturdy, colorfast fabrics and heavily soiled items.
BEDDING	<ul style="list-style-type: none"> For bulky items such as comforters, blankets, and sheets. For best results, wash only 1 type of bedding. For bulky items, use liquid detergent and do not roll the items in the drum because they might get stuck in the drum.
STEAM NORMAL	<ul style="list-style-type: none"> For washing everyday garments with steam.
STEAM WHITES	<ul style="list-style-type: none"> For white items. You can wash with or without bleach.
STEAM SANITIZE	<ul style="list-style-type: none"> For colourfast fabrics and heavily soiled laundry, this cycle heats the supplied water over 60 °C to clean deeply. If you stop running the cycle while the washer is heating the water, the door remains locked for your safety.
QUICK WASH	<ul style="list-style-type: none"> For lightly soiled items that you want to finish washing quickly. For best performance, recommended load is 4 lb (2.0 kg) or lower.
DELICATES	<ul style="list-style-type: none"> For sheer fabrics, bras, lingerie (silk), and other handwash-only fabrics. For best performance, use liquid detergent.
TOWELS	<ul style="list-style-type: none"> For bath towels, washcloths, and mats.
RINSE+SPIN	<ul style="list-style-type: none"> Features an additional rinse process after fabric softener is applied to the laundry.
SELF CLEAN⁺	<ul style="list-style-type: none"> Cleans the drum by removing dirt and bacteria from the drum. Perform once every 40 washes. Make sure the drum is empty.
DOWNLOADED	<ul style="list-style-type: none"> Select to choose from more cycles available on the SmartThings app on your smartphone. Available cycles: ACTIVEWEAR, STEAM ALLERGEN, WOOL, ECO COLD, POWER STEAM, STEAM BULKY, OUTDOOR, DENIM, PERM PRESS, COLORS, POWER RINSE. Factory setting: ACTIVEWEAR



Operations

Cycle chart

Use this chart to set the best cycle and options for your laundry.

NOTE

Setting	Temp.	Rinse	Spin	Soil
● : factory setting	5 : Hot (Level 5)	5 : 5 times (Level 5)	5 : High (Level 5)	5 : Heavy (Level 5)
○ : can be selected	4 : (Level 4)	4 : (Level 4)	4 : (Level 4)	4 : (Level 4)
	3 : (Level 3)	3 : (Level 3)	3 : (Level 3)	3 : (Level 3)
	2 : (Level 2)	2 : (Level 2)	2 : (Level 2)	2 : (Level 2)
	1 : Cold (Level 1)	1 : 1 time (Level 1)	1 : No spin (Level 1)	1 : Light (Level 1)
		0 : 0 time	0 : No drain	

Cycle	Functions										
	Temp.					Rinse					
	5	4	3	2	1	5	4	3	2	1	0
NORMAL	○	○	●	○	○	○	○	○	●	○	○
HEAVY DUTY	○	●	○	○	○	○	○	○	●	○	○
BEDDING			●	○	○	○	○	○	●	○	○
STEAM NORMAL		●				○	○	○	●	○	○
STEAM WHITES		●				○	○	○	●	○	○
STEAM SANITIZE	●					○	○	○	●	○	○
RINSE+SPIN						○	○	○	○	●	○
TOWELS		○	●	○	○	○	○	○	●	○	○
DELICATES			○	○	●			○	●	○	○
QUICK WASH		○	●	○	○	○	○	○	○	●	○
SELF CLEAN ⁺	●								●		



Cycle	Functions										
	Spin						Soil				
	5	4	3	2	1	0	5	4	3	2	1
NORMAL	<input type="radio"/>	<input checked="" type="radio"/>	<input type="radio"/>	<input type="checkbox"/>	<input type="radio"/>	<input type="radio"/>	<input type="radio"/>	<input type="radio"/>	<input checked="" type="radio"/>	<input type="radio"/>	<input type="radio"/>
HEAVY DUTY	<input checked="" type="radio"/>	<input type="radio"/>	<input type="radio"/>	<input type="radio"/>	<input type="radio"/>	<input type="radio"/>	<input checked="" type="radio"/>	<input type="radio"/>	<input type="radio"/>	<input type="radio"/>	<input type="radio"/>
BEDDING	<input type="checkbox"/>	<input type="checkbox"/>	<input type="radio"/>	<input checked="" type="radio"/>	<input type="radio"/>	<input type="radio"/>	<input type="radio"/>	<input type="radio"/>	<input checked="" type="radio"/>	<input type="radio"/>	<input type="radio"/>
STEAM NORMAL	<input type="radio"/>	<input checked="" type="radio"/>	<input type="radio"/>	<input type="radio"/>	<input type="radio"/>	<input type="radio"/>	<input type="radio"/>	<input type="radio"/>	<input checked="" type="radio"/>	<input type="radio"/>	<input type="radio"/>
STEAM WHITES	<input type="radio"/>	<input checked="" type="radio"/>	<input type="radio"/>	<input type="radio"/>	<input type="radio"/>	<input type="radio"/>	<input type="radio"/>	<input type="radio"/>	<input checked="" type="radio"/>	<input type="radio"/>	<input type="radio"/>
STEAM SANITIZE	<input type="radio"/>	<input checked="" type="radio"/>	<input type="radio"/>	<input type="radio"/>	<input type="radio"/>	<input type="radio"/>	<input type="radio"/>	<input type="radio"/>	<input checked="" type="radio"/>	<input type="radio"/>	<input type="radio"/>
RINSE+SPIN	<input type="radio"/>	<input checked="" type="radio"/>	<input type="radio"/>	<input type="radio"/>	<input type="radio"/>	<input type="radio"/>	<input type="checkbox"/>	<input type="checkbox"/>	<input type="checkbox"/>	<input type="checkbox"/>	<input type="checkbox"/>
TOWELS	<input type="radio"/>	<input checked="" type="radio"/>	<input type="radio"/>	<input type="radio"/>	<input type="radio"/>	<input type="radio"/>	<input type="radio"/>	<input type="radio"/>	<input checked="" type="radio"/>	<input type="radio"/>	<input type="radio"/>
DELICATES	<input type="checkbox"/>	<input type="checkbox"/>	<input checked="" type="radio"/>	<input type="radio"/>	<input type="radio"/>	<input type="radio"/>	<input type="radio"/>	<input type="radio"/>	<input checked="" type="radio"/>	<input type="radio"/>	<input type="radio"/>
QUICK WASH	<input checked="" type="radio"/>	<input type="radio"/>	<input type="radio"/>	<input type="radio"/>	<input type="radio"/>	<input type="radio"/>	<input type="radio"/>	<input type="radio"/>	<input type="radio"/>	<input type="radio"/>	<input checked="" type="radio"/>
SELF CLEAN ⁺	<input checked="" type="radio"/>	<input type="checkbox"/>	<input type="checkbox"/>	<input type="checkbox"/>	<input type="checkbox"/>	<input type="checkbox"/>	<input type="checkbox"/>	<input type="checkbox"/>	<input type="checkbox"/>	<input type="checkbox"/>	<input type="checkbox"/>

Cycle	Options	
	Superspeed	Pre Soak
NORMAL	<input type="radio"/>	<input type="radio"/>
HEAVY DUTY	<input type="radio"/>	<input type="radio"/>
BEDDING	<input type="radio"/>	<input type="radio"/>
STEAM NORMAL	<input type="checkbox"/>	<input type="radio"/>
STEAM WHITES	<input type="radio"/>	<input type="radio"/>
STEAM SANITIZE	<input type="checkbox"/>	<input type="radio"/>
RINSE+SPIN	<input type="checkbox"/>	<input type="checkbox"/>
TOWELS	<input type="checkbox"/>	<input type="radio"/>
DELICATES	<input type="checkbox"/>	<input type="checkbox"/>
QUICK WASH	<input type="checkbox"/>	<input type="checkbox"/>
SELF CLEAN ⁺	<input type="checkbox"/>	<input type="checkbox"/>



Operations

Special features

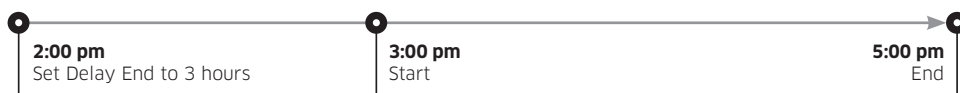
Delay End

You can set the washer to finish your wash automatically at a later time by choosing a delay of between 1 to 24 hours (in 1 hour increments). The hour displayed indicates the time the wash will finish.

1. Select a cycle. Then, change the cycle settings if necessary.
2. Press **Delay End** repeatedly until a desired end time is set.
3. Press and hold **Start/Pause (Hold to Start)**.
4. To cancel Delay End, restart the washer by pressing **Power**.

Real-life case

You want to finish a two-hour cycle 3 hours from now. To do this, you add the Delay End option to the current cycle with a 3-hour setting, and then press and hold **Start/Pause (Hold to Start)** at 2:00 pm. The washer starts operating at 3:00 pm and ends at 5:00 pm. Provided below is the time line for this example.



ATC (Auto Temperature Control)

ATC enables the washer to control water temperatures in each washing cycle using the internal thermistor. It is designed to maintain certain washing temperatures for best results.

NOTE

- If you select **NORMAL** or **HEAVY DUTY**, you may notice the washer supplying cold water. This is normal because the machine is designed to reduce power consumption. In these cycles, the water temperature for Level 5 is similar to bath-water temperatures, and Level 3 is similar to comfortable swimming pool temperatures.
- To wash clothes at a specific temperature, you must choose a different cycle first.



Child Lock

The Child Lock function locks the washer door to prevent children from climbing into and suffocating inside the drum.

To activate Child Lock

- Press and hold both **Temp.** and **Rinse** for 3 seconds. Then, press and hold **Start/Pause (Hold to Start)** to activate. The door locks, and the Child Lock indicator turns on.

To deactivate Child Lock temporarily

- You can deactivate Child Lock temporarily for 1 minute. To do this, press and hold both **Temp.** and **Rinse** for 3 seconds. The door is unlocked for 1 minute and the Child Lock indicator blinks.

NOTE

- If you open the door 1 minute after deactivating Child Lock, an alarm sounds for up to 2 minutes.
- If you close the door within 2 minutes, the door locks and Child Lock is reactivated. If you do not close the door or the door is not properly closed, the alarm keeps sounding for 2 minutes.
- To add laundry after activating Child Lock, deactivate Child Lock or restart the washer.

To cancel Child Lock

- Press and hold both **Temp.** and **Rinse** for 6 seconds. The door unlocks, and the Child Lock indicator turns off.

Alarm Off

You can turn the alarm sound on or off. When the alarm is off, the cycle completion melody and the power-off beep will not sound. However, the other sounds stay active.

- Press **Alarm Off** to turn the alarm on or off.
- Your setting will be kept even after you turn off and then restart the appliance.

DOWNLOADED cycle

You can choose from more cycles available on the SmartThings app on your smartphone.

1. On your smartphone, select the **DOWNLOADED** cycle.
 - You can choose from ACTIVEWEAR, STEAM ALLERGEN, WOOL, ECO COLD, POWER STEAM, STEAM BULKY, OUTDOOR, DENIM, PERM PRESS, COLORS, POWER RINSE.
2. Press **Power** on your washer.
3. Turn the **Cycle Selector** to **DOWNLOADED**.
4. Press and hold **Start/Pause (Hold to Start)**.



Operations

SmartThings

Wi-Fi connection

On your smartphone, go to **Settings** and turn on the wireless connection and select an AP (Access Point).

- This appliance supports the Wi-Fi 2.4 GHz protocols.

Download

On an app market (Google Play Store, Apple App Store, Samsung Galaxy Apps), find the SmartThings app by searching for “SmartThings”. Download and install the app on your device.

NOTE

The app is subject to change without notice for improved performance.

Log in

You must first log into SmartThings with your Samsung account. To create a new Samsung account, follow the instructions on the app. You don't need a separate app to create your account.

NOTE

If you have a Samsung account, use the account to log in. A registered Samsung smartphone user automatically logs in.

To register your appliance to SmartThings

1. Make sure your smartphone is connected to a wireless network. If not, go to **Settings** and turn on the wireless connection and select an AP (Access Point).
2. Open **SmartThings** on your smartphone.
3. If a message of “**A new device is found.**”, select **Add**.
4. If no message appears, select **+** and select your appliance in a list of devices available. If your appliance is not listed, select **Device Type** > **Specific Device Model**, and then add your appliance manually.
5. Register your appliance to the SmartThings app as follows.
 - a. Add your appliance to SmartThings. Make sure your appliance is connected to SmartThings.
 - b. When registration is complete, your appliance appears on your smartphone.



Maintenance

Keep the washer clean for best performance and to lengthen its life cycle.

WARNING

Certain internal parts are intentionally not grounded and may present a risk of electric shock only during servicing. Service personnel – Do not contact the following parts while the appliance is energized: Control board, heat sink, motor, inlet valve and pump.

SELF CLEAN⁺

Certain usage and environmental conditions may result in some residue build-up or odor in the washer drum. To prevent this build-up of residue or odor causing bacteria and keep your washer drum fresh and clean, perform the SELF CLEAN⁺ cycle at least once a month or every 40 cycles. Perform the recommended procedure below when using the SELF CLEAN⁺ cycle.

1. Remove all items from the washer drum and ensure the drum is empty. Laundry left in the drum during the SELF CLEAN⁺ cycle may be damaged.
2. Press **Power** to turn on the washer.
3. Turn the **Cycle Selector** to **SELF CLEAN⁺**.
4. Press and hold **Start/Pause (Hold to Start)**.

NOTE

- The water temperature for SELF CLEAN⁺ is defaulted to Hot. This temperature cannot be changed.
- In the case where residue is present in the washer drum, add liquid chlorine bleach to the MAX level line in the main-wash compartment before starting the SELF CLEAN⁺ cycle. Do not add the liquid chlorine bleach to the bleach compartment (This is only the case for SELF CLEAN⁺ cycle).
- Do not exceed the max line. Do not use or mix any other detergent or chemicals during the SELF CLEAN⁺ cycle. If necessary, run a RINSE+SPIN cycle after the SELF CLEAN⁺ cycle has completed to help remove any remaining residue.

CAUTION

If there is chlorine bleach left in the washer drum for an extended period of time, rust can occur.

SELF CLEAN⁺ reminder

- After 40 washing cycles, the SELF CLEAN⁺ LED reminder icon and the SELF CLEAN⁺ cycle LED will blink on the control panel for an hour and then turn off automatically.
- The reminder will appear on the control panel for 5 additional consecutive cycles before turning off. The next reminder will not appear until another 40 cycles have been completed.



Maintenance

Smart Care

To enable this function, you must first download the Samsung Laundry app from the Play Store or the App Store and install it on a mobile device that has a camera function. The Smart Care function has been optimized for Galaxy and iPhone mobile devices (applicable models only).

1. When the washer detects an issue to check, an information code appears on the display. To enter Smart Care mode, press **Smart Care**.
2. The washer starts the self-diagnosis procedure and displays an information code if a problem is detected.
3. Run the Samsung Laundry app on your mobile device, and then tap **Smart Care**.
4. Put the mobile device close to the washer's display so that the smartphone camera and the washer face each other. The information code will be recognized automatically by the app.
5. When the information code is recognized correctly, the app provides detailed information about the problem with applicable solutions.

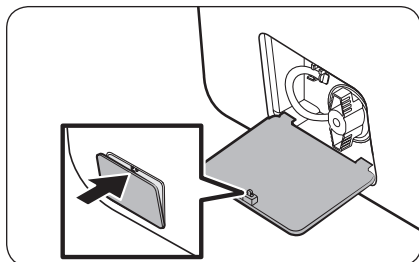
NOTE

- The function name, Smart Care, may differ depending on the language.
- If the washer's display reflects light, the app may fail to recognize the information code.
- If the app fails to recognize the information code, you can enter the code manually on the app.

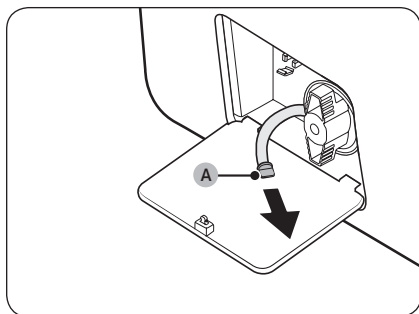


Emergency drain

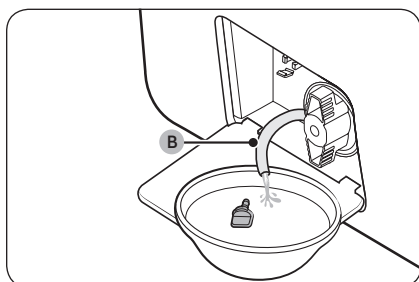
In case of a power failure, drain the water inside the drum before taking out the laundry.



1. Turn off the washer, and then unplug the power cord.
2. Gently press the top area of the **filter cover** to open.



3. Put an empty, spacious container around the cover, and stretch the **emergency drain tube** to the container while holding the **tube cap (A)**.



4. Open the **tube cap** and let water in the **Emergency drain tube (B)** flow into the container.
5. When done, close the **tube cap**, and reinsert the tube. Then, close the **filter cover**.

 **NOTE**

Use a spacious container because the water in the drum may be more than expected.



Maintenance

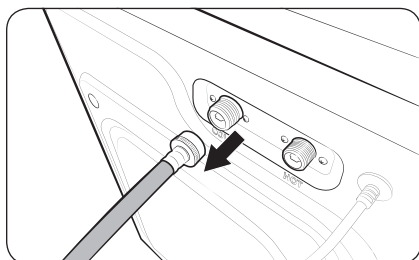
Cleaning

Surface of the washer

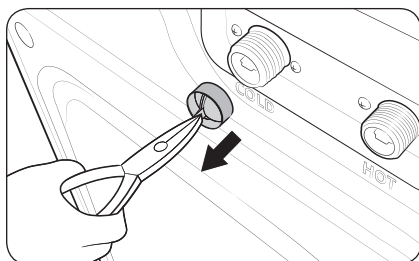
Use a soft cloth with a nonabrasive household cleaner. Do not spray water onto the washer.

Mesh filter

Clean the mesh filter of the water hose once or twice a year.



1. Turn off the washer, and then unplug the power cord.
2. Close the water tap.
3. Loosen and disconnect the water hoses from the back of the washer. Cover the end of each hose with a cloth or towel to prevent water from gushing out.



4. Use pliers to pull out the mesh filter from the inlet valves.
5. Thoroughly clean the mesh filters in water.
6. Completely dry the mesh filters. Do not dry in direct sunlight.
7. Reinsert the mesh filters, and then reconnect the water hoses.
8. Open the water taps.

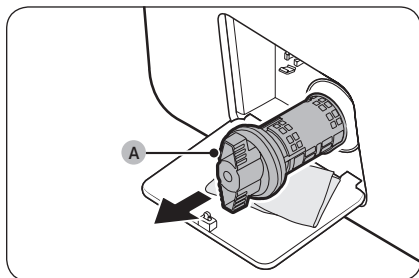
NOTE

If a mesh filter is clogged, the “4C” information code appears on the washer’s display screen.

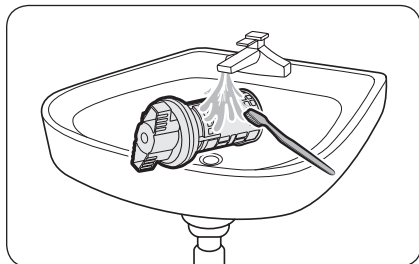


Pump filter

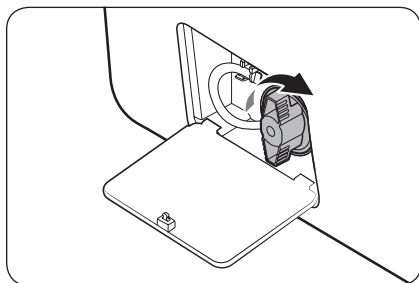
You should clean the pump filter 5 or 6 times a year to prevent it from clogging. A clogged pump filter may reduce the bubble effect.



1. Turn off the washer, and then unplug the power cord.
2. Gently press the top area of the **filter cover** to open.
3. Drain the remaining water inside the drum. See the **Emergency drain** section on page 45.
4. Turn the **pump filter knob (A)** counterclockwise, and then drain the remaining water.



5. Clean the **pump filter** using a soft brush. Make sure the drain pump propeller inside the filter is not clogged.
6. Reinsert the **pump filter**, and then turn the filter knob clockwise.
7. Close the **filter cover**.



NOTE

- Some pump filters feature a safety knob that is designed to prevent children from accidentally opening the filter compartment. To open the safety knob of the **pump filter**, push in and turn it counterclockwise. The spring mechanism of the safety knob helps open the filter.
- Before closing the **filter cover**, make sure the **pump filter** is properly inserted.



Maintenance

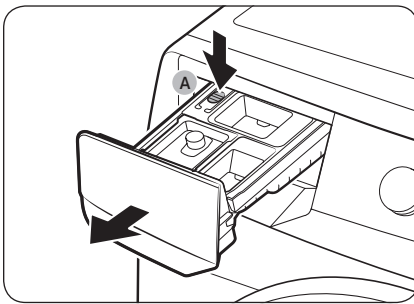
NOTE

If the pump filter is clogged, the “5C” information code appears on the washer’s display screen.

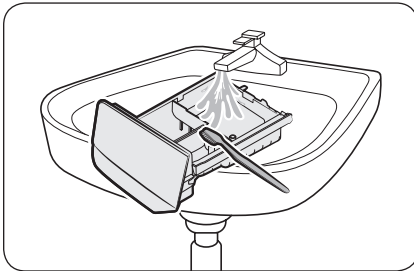
CAUTION

- Make sure the filter knob is closed properly after cleaning the filter. Otherwise, this may cause a leak.
- Make sure the filter is inserted properly after cleaning it. Otherwise, this may cause an operational failure or a leak.

Detergent drawer



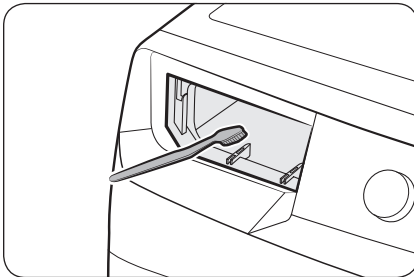
1. Open the drawer.
2. While holding down the **release lever (A)**, remove the drawer.
3. Remove the **liquid detergent container** from the drawer.



4. Clean the drawer components in running water using a soft brush.

NOTE

Other parts of the drawer can also be removed. They can fall out if you hold the drawer upside down.



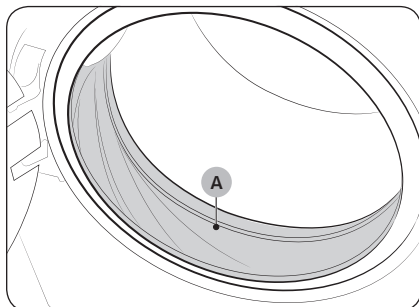
5. Clean the drawer recess using a soft brush.
6. Reinsert the **liquid detergent container** into the detergent drawer.
7. Slide the drawer into the drawer recess, and then push it inward until it is fully closed.

NOTE

To remove remaining detergent, run the **RINSE+SPIN** cycle with the drum empty.



Door diaphragm



1. Open the door, and then empty the drum.
2. Combine 3/4 cups of liquid chlorine bleach and 1 gallon of warm tap water.
3. Wearing rubber gloves, use a soft, clean cloth dipped in the water and bleach solution to clean the diaphragm.
4. Let stand 5 minutes, and then wipe up and dry well.

CAUTION

Use bleach carefully and be sure to follow the bleach manufacturer's use and care instructions.



Maintenance

Recovery from freezing

The washer may freeze when the temperature in its location drops below 32 °F (0 °C).

1. Turn off the washer, and then unplug the power cord.
2. Pour warm water over the water tap to loosen the water hose.
3. Disconnect the water hose, and then soak it in warm water.
4. Pour warm water into the drum and leave it for about 10 minutes.
5. Reconnect the water hose to the water tap.

NOTE

If the washer still doesn't operate normally, repeat the steps above.

Care for an extended period of non-use

Avoid leaving the washer unused for an extended time. However, if you intend to leave the washer unused for a long period of time, follow the directions below:

1. Press **Power**, and then turn the **Cycle Selector** to **RINSE+SPIN**.
2. Empty the drum, and then press and hold **Start/Pause (Hold to Start)**.
3. When the cycle is complete, close the water taps and disconnect the water hoses.
4. Turn off the washer, and then unplug the power cord.
5. Open the door to let air circulate through the drum.

Cleaning the exterior

1. Turn off the water taps after finishing the day's washing.
This will shut off the water supply to your washer and prevent the unlikely possibility of damage from escaping water. Leave the door open to allow the inside of your washer to dry out.
2. Use a soft cloth to wipe up all detergent, bleach, or other spills as they occur. Clean the following as recommended below:
 - Control Panel – Clean with a soft, damp cloth. Do not use abrasive powders or cleaning pads. Do not spray cleaners directly on the panel.
 - Cabinet – Clean with soap and water.

Cleaning the interior

Clean the interior of your washer periodically to remove any dirt, soil, odor, mold, mildew, or bacterial residue that may remain in your washer as a result of washing clothes.

CAUTION

Failure to follow these instructions may result in unpleasant conditions, including odors and/or permanent stains on your washer or laundry.

NOTE

Hard water deposits may be removed, if needed. Use a cleaner labeled "Washer safe".



Troubleshooting

Checkpoints

If you encounter a problem with the washer, first check the table below and try the suggestions.

Problem	Action
Does not start.	<ul style="list-style-type: none">• Make sure the washer is plugged in.• Make sure the door is properly closed.• Make sure the faucets are open.• Make sure to press or tap Start/Pause (Hold to Start) to start the washer.• Make sure Child Lock is not activated.• Before the washer starts to fill, it will make a series of clicking noises to check the door lock and does a quick drain.• Check the fuse or reset the circuit breaker.
Water supply is insufficient, or no water is supplied.	<ul style="list-style-type: none">• Fully open the faucet.• Make sure the door is properly closed.• Make sure the water supply hose is not frozen.• Make sure the water supply hose is not kinked or clogged.• Make sure there is sufficient water pressure.
After a cycle, detergent remains in the detergent drawer.	<ul style="list-style-type: none">• Make sure the washer is running with sufficient water pressure.• Make sure you add liquid detergent to the liquid detergent container. Make sure to remove the liquid detergent container if you are using powdered detergent.• Clean the detergent drawer.
Excessive vibrations or makes noise.	<ul style="list-style-type: none">• Make sure the washer is installed on a level, solid floor that is not slippery. If the floor is not level, use the leveling feet to adjust the height of the washer.• Make sure the shipping bolts are removed.• Make sure the washer is not contacting any other object.• Make sure the laundry load is balanced.• The motor can cause noise during normal operation.• Overalls or metal-decorated clothes can cause noise while being washed. This is normal.• Metal objects such as coins can cause noise. After washing, remove these objects from the drum or filter case.• Remove the filling of the pillows and cushions, and wash only the covers.

Troubleshooting

Problem	Action
<p>Does not drain and/ or spin.</p>	<ul style="list-style-type: none"> • Make sure the drain hose is neither kinked nor obstructed all the way to the drain system. If there is a drain restriction, call for service. • Make sure the debris filter is not clogged. • Close the door and press or tap Start/Pause (Hold to Start). For your safety, the washer will not tumble or spin unless the door is closed. • Make sure the drain hose is not frozen or clogged. • Make sure the drain hose is connected to a drain system that is not clogged. • If the washer is not supplied with sufficient power, the washer temporarily will not drain or spin. As soon as the washer regains sufficient power, it will operate normally. • Make sure the drain hose is inserted 6 to 8 inches inside the drain pipe. • Make sure the washer is level.
<p>The door does not open.</p>	<ul style="list-style-type: none"> • Press or tap Start/Pause (Hold to Start) to stop the washer. • It may take a few moments for the door lock mechanism to disengage. • Make sure all the water in the drum is drained. • The door may not open if water remains in the drum. Drain the drum and open the door manually. • Make sure the door lock light is off. The door lock light turns off after the washer has drained. • If the washer is paused after the water is supplied, the door cannot be opened until one minute has passed. If draining occurs followed by the information code on the display, the door will not open until 3 minutes after the washer has stopped or the power is turned off. • The door does not open if you have unplugged the power cord while the product was operating. <ul style="list-style-type: none"> - Plug the power cord and turn on the power. Then, deactivate Child Lock if necessary, and then press and hold Start/Pause (Hold to Start) to stop the operation.
<p>Excessive suds.</p>	<ul style="list-style-type: none"> • Make sure you use the recommended types and amounts of detergent. • Use high efficiency (HE) detergent to prevent oversudsing. • Reduce the detergent amount for soft water, small loads, or lightly soiled loads. • Don't use Non-HE detergent.

Problem	Action
Cannot add additional detergent.	<ul style="list-style-type: none"> • Make sure the remaining amount of detergent and fabric softener is not over the limit.
The washer stops.	<ul style="list-style-type: none"> • Plug the power cord into a live electrical outlet. • Check the fuse or reset the circuit breaker. • Close the door and press Start/Pause (Hold to Start) to start the washer. For your safety, the washer will not tumble or spin unless the door is closed. • Before the washer starts to fill, it will make a series of clicking noises to check the door lock and does a quick drain. • There may be a pause or soak period in the cycle. Wait briefly and the washer may start. • Make sure the mesh filter of the water supply hose at the faucets is not clogged. Periodically clean the mesh filter. • If the washer is not supplied with sufficient power, the washer temporarily will not drain or spin. As soon as the washer regains sufficient power, it will operate normally.
Fills with the wrong temperature water.	<ul style="list-style-type: none"> • Fully open both taps. • Make sure the temperature selection is correct. • Make sure the hoses are connected to the correct taps. Flush water lines. • Make sure your water heater is set to supply hot water with a minimum temperature of 120 °F (49 °C) at the tap. Also, check the water heater capacity and recovery rate. • Disconnect the hoses and clean the mesh filters. The mesh filters may be clogged. • While the washer fills, the water temperature may change as the automatic temperature control feature checks incoming water temperature. This is normal. • While the washer fills, you may notice just hot and/or just cold water going through the dispenser when cold or warm temperatures are selected. This is a normal function of the automatic temperature control feature as the washer determines the water temperature.
The load is wet at the end of a cycle.	<ul style="list-style-type: none"> • Use the High or Extra High spin speed. • Use high efficiency (HE) detergent to reduce oversudsing. • The load is too small. Small loads (one or two items) may become unbalanced and not spin completely. • Make sure the drain hose is not kinked or clogged.



Troubleshooting

Problem	Action
Leaks water.	<ul style="list-style-type: none"> • Make sure the door is properly closed. • Make sure all hose connections are tight. • Make sure the end of the drain hose is correctly inserted and secured to the drain system. • Avoid overloading. • Use high efficiency (HE) detergent to prevent oversudsing.
Has odors.	<ul style="list-style-type: none"> • Excessive suds collect in recesses and can cause foul odors. • Run cleansing cycles to sanitize periodically. • Clean the door seal (diaphragm). • Dry the washer interior after a cycle has finished.
After a cycle, washer is not off and/or the door does not open.	<ul style="list-style-type: none"> • If the Remaining Laundry Notification is on, press Power to turn the power off, and then remove the items. • If the SELF CLEAN⁺ indicator is on, remove all items from the drum, and then run the SELF CLEAN⁺ cycle.

If a problem persists, contact a local Samsung service center.



Information codes

If the washer fails to operate, you may see an information code on the screen. Check the table below and try the suggestions.

Code	Action
1C	<p>Check the water level sensor.</p> <ul style="list-style-type: none"> Power the washer off. Wait 2-3 minutes, power the washer on, and then try again. Depending on the model, the drain system may drain water automatically. The Power and Start/Pause (Hold to Start) buttons may be disabled during this process.
DC	<p>The door is open.</p> <ul style="list-style-type: none"> Close the door and press Start/Pause (Hold to Start) to resume operation.
DC1	<p>Check the door switch.</p> <ul style="list-style-type: none"> Power the washer off. Wait 2-3 minutes, power the washer on, and then try again.
LC	<p>Check for water leaks.</p> <ul style="list-style-type: none"> Power the washer off, and then check the drain system for any leaks. Once the leak issue is resolved, power the washer on. Depending on the model, the drain system may drain water automatically. The Power and Start/Pause (Hold to Start) buttons may be disabled during this process.
4C	<p>Check the water supply line.</p> <ul style="list-style-type: none"> Check the connection to the water lines (including water taps). Power the washer off. Wait 2-3 minutes, power the washer on, and then try again. Depending on the model, the drain system may drain water automatically. The Power and Start/Pause (Hold to Start) buttons may be disabled during this process.
4C2	<p>Laundry needs protection because the water being supplied is too hot.</p> <ul style="list-style-type: none"> Make sure the cold and hot water taps are properly connected. Power the washer off. Wait 2-3 minutes, power the washer on, and then try again.
5C	<p>Check the drain system.</p> <ul style="list-style-type: none"> Make sure the drain filter is not clogged. If the drain filter is clogged, clean the filter, and then restart the washer.
HC	<p>Check the washing heater.</p> <ul style="list-style-type: none"> Power off the washer, and then contact a Samsung service center.



Troubleshooting

Code	Action
UB	<p>Check the spinning process.</p> <ul style="list-style-type: none"> The load may not be balanced inside the drum. Check the drum and make sure the load is balanced. Press Start/Pause (Hold to Start) to resume operation or power the washer off, wait 2-3 minutes, power the washer on, and then try again.
8C, 8C1, 8C2	<p>Check the MEMS sensor.</p> <ul style="list-style-type: none"> Power the washer off. Wait 2-3 minutes, power the washer on, and then try again.
OC	<p>Water may overflow.</p> <ul style="list-style-type: none"> Close the water valve and call for service.
3C	<p>Check the motor.</p> <ul style="list-style-type: none"> Power the washer off. Wait 2-3 minutes, power the washer on, and then try again.
AC6	<p>Check the PBA communication status.</p> <ul style="list-style-type: none"> Power the washer off. Wait 2-3 minutes, power the washer on, and then try again.
9C1, 9C2	<p>The electronic control needs to be checked.</p> <ul style="list-style-type: none"> Check if power is supplied properly. If the information code remains, contact a Samsung service center.
SF	<p>System failed.</p> <ul style="list-style-type: none"> Power off the washer, and then contact a Samsung service center.

If any information code keeps appearing on the screen, contact a local Samsung service center.







Specifications



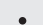
Fabric care chart

The following symbols provide garment care direction. The clothing care labels include symbols for drying, bleaching, drying and ironing, or dry cleaning when necessary. The use of symbols ensures consistency among garment manufacturers of domestic and imported items. Follow care label directions to optimize garment life and reduce laundering problems.

Wash cycle

	Normal
	Permanent press/Wrinkle resistant/ Wrinkle control
	Gentle/Delicates
	Hand wash




Water temperature

	Hot
	Warm
	Cold



NOTE

The temperature range for Hot is 135 °F (57 °C) or below, 95 °F (35 °C) or below for Warm, and 68 °F (20 °C) or below for Cold. Wash water temperature must be a minimum of 60 °F (16 °C) for detergent activation and effective cleaning.




Bleach

	Any bleach (when needed)
	Only non-chlorine (color-safe) bleach (when needed)
	Tumble dry






Normal

	Permanent press/Wrinkle resistant/ Wrinkle control
	Gentle/Delicates




Special instructions

	Line dry/Hang to dry
	Drip dry
	Dry flat

Heat setting

	High
	Medium
	Low
	Any heat
	No heat / Air

Iron dry or steam temperatures

	High
	Medium
	Low



Specifications

Warning symbols for laundering

	Do not wash
	Do not wring
	Do not bleach
	Do not tumble dry
	No steam (added to iron)
	Do not iron

Dry-clean

	Dry-clean
	Do not dry-clean
	Line dry/Hang to dry
	Drip dry
	Dry flat

Protecting the environment

- This appliance is manufactured from recyclable materials. If you decide to dispose of it, please observe local waste disposal regulations. Cut off the power cord so that the appliance cannot be connected to a power source. Remove the lid so that animals and small children cannot get trapped inside the appliance.
- Do not exceed the detergent quantities recommended in the detergent manufacturers' instructions.
- Use stain removal products and bleaches before the wash cycle only when necessary.
- Save water and electricity by only washing full loads (the exact amount depends upon the program used).

Declaration of conformity

This appliance complies with UL2157.



Specification sheet

Type			Front loading washer
			WF45B6300A*
Capacity (Cu.ft)			4.5
Water pressure (psi (kPa))			20-116 (137-800)
NET weight (lb (kg))			201 (91.0)
Spin revolution			1200 rpm
Heating Rating			900 W
Power consumption	Washing	120 V	200 W
	Washing and Heating		1150 W
	Spin		550 W
	Drain		80 W

English

LIMITED WARRANTY (U.S.A.)

SAMSUNG WASHER

LIMITED WARRANTY TO ORIGINAL CONSUMER PURCHASER WITH PROOF OF PURCHASE

This SAMSUNG brand product, as supplied and distributed by SAMSUNG ELECTRONICS AMERICA, INC. (SAMSUNG) and delivered new, in the original carton to the original consumer purchaser, is warranted by SAMSUNG against manufacturing defects in materials or workmanship for the limited warranty period, starting from the date of original purchase, of:

- One (1) year parts and labor,
- Three (3) years stainless tub part (Part Only),
- Ten (10) years washing DD motor part (Part Only)

This limited warranty is valid only on products purchased and used in the United States that have been installed, operated, and maintained according to the instructions attached to or furnished with the product. To receive warranty service, the purchaser must contact SAMSUNG at the address or phone number provided below for problem determination and service procedures. Warranty service can only be performed by a SAMSUNG authorized service center. The original dated bill of sale must be presented upon request as proof of purchase to SAMSUNG or SAMSUNG's authorized service center to receive warranty service.

SAMSUNG will provide in-home service within the contiguous United States during the warranty period at no charge, subject to availability of SAMSUNG authorized servicers within the customer's geographic area. If in-home service is not available, SAMSUNG may elect, at its option, to provide transportation of the product to and from an authorized service center. If the product is located in an area where service by a SAMSUNG authorized servicer is not available, you may be responsible for a trip charge or required to bring the product to a SAMSUNG authorized service center for service.

To receive in-home service, product must be unobstructed and accessible to the service agent.

During the applicable warranty period, a product will be repaired, replaced, or the purchase price refunded, at the sole option of SAMSUNG. SAMSUNG may use new or reconditioned parts in repairing a product, or replace the product with a new or reconditioned product. Replacement parts and products are warranted for the remaining portion of the original product's warranty or ninety (90) days, whichever is longer. All replaced parts and products are the property of SAMSUNG and you must return them to SAMSUNG.

This limited warranty covers manufacturing defects in materials or workmanship encountered in normal household, noncommercial use of this product and shall not cover the following: damage that occurs in shipment, delivery, installation, and uses for which this product was not intended; damage caused by unauthorized modification or alteration of the product; product where the original factory serial numbers have been removed, defaced, changed in any way, or cannot be readily determined; cosmetic damage including scratches, dents, chips, and other damage to the product's finishes; damage caused by abuse, misuse, pest infestations, accident, fire, floods, or other acts of nature or God; damage caused by use of equipment, utilities, services, parts, supplies, accessories, applications, installations, repairs, external wiring or connectors not supplied or authorized by SAMSUNG; damage caused by incorrect electrical line current, voltage, fluctuations and surges; damage caused by failure to operate and maintain the product according to instructions; in-home instruction on how to use your product; and service to correct installation not in accordance with electrical or plumbing codes or correction of household electrical or plumbing (i.e., house wiring, fuses, or water inlet hoses). The cost of repair or replacement under these excluded circumstances shall be the customer's responsibility.

Visits by an authorized servicer to explain product functions, maintenance or installation are not covered by this limited warranty. Please contact SAMSUNG at the number below for assistance with any of these issues.

EXCLUSION OF IMPLIED WARRANTIES

IMPLIED WARRANTIES, INCLUDING THE IMPLIED WARRANTIES OF MERCHANTABILITY OR FITNESS FOR A PARTICULAR PURPOSE, ARE LIMITED TO ONE YEAR OR THE SHORTEST PERIOD ALLOWED BY LAW. Some states do not allow limitations on how long an implied warranty lasts, so the above limitations or exclusions may not apply to you. This warranty gives you specific rights, and you may also have other rights, which vary from state to state.

LIMITED WARRANTY (U.S.A.)

LIMITATION OF REMEDIES

YOUR SOLE AND EXCLUSIVE REMEDY IS PRODUCT REPAIR, PRODUCT REPLACEMENT, OR REFUND OF THE PURCHASE PRICE AT SAMSUNG'S OPTION, AS PROVIDED IN THIS LIMITED WARRANTY. SAMSUNG SHALL NOT BE LIABLE FOR SPECIAL, INCIDENTAL OR CONSEQUENTIAL DAMAGES, INCLUDING BUT NOT LIMITED TO TIME AWAY FROM WORK, HOTELS AND/OR RESTAURANT MEALS, REMODELING EXPENSES, LOSS OF REVENUE OR PROFITS, FAILURE TO REALIZE SAVINGS OR OTHER BENEFITS REGARDLESS OF THE LEGAL THEORY ON WHICH THE CLAIM IS BASED, AND EVEN IF SAMSUNG HAS BEEN ADVISED OF THE POSSIBILITY OF SUCH DAMAGES. Some states do not allow exclusion or limitation of incidental or consequential damages, so the above limitations or exclusions may not apply to you. This warranty gives you specific rights, and you may also have other rights, which vary from state to state.

SAMSUNG does not warrant uninterrupted or error-free operation of the product. No warranty or guarantee given by any other person, firm, or corporation with respect to this product shall be binding on SAMSUNG.

To obtain warranty service, please contact SAMSUNG at:

Samsung Electronics America, Inc.

85 Challenger Road

Ridgefield Park, NJ 07660

1-800-SAMSUNG (726-7864)

www.samsung.com/us/support

Memo

SAMSUNG



Scan the QR code* or visit
www.samsung.com/spsn
to view our helpful
How-to Videos and Live Shows

*Requires reader to be installed on your smartphone

Scan this with your smartphone

QUESTIONS OR COMMENTS?

COUNTRY	CALL	OR VISIT US ONLINE AT
U.S.A	1-800-SAMSUNG (726-7864)	www.samsung.com/us/support



DC68-04355A-00

A black and white artistic photograph of water splashing, creating a dynamic and textured background. The water droplets and bubbles are captured in motion, creating a sense of energy and freshness. The lighting highlights the intricate details of the water's surface.

Lavadora

Manual del usuario

WF45B6300A*

SAMSUNG



Contenido

Información sobre seguridad	4
Lo que necesita saber sobre las instrucciones de seguridad	4
Símbolos de seguridad importantes	4
Precauciones de seguridad importantes	5
PROPOSICIÓN 65 DE CALIFORNIA: ADVERTENCIA	5
Advertencias fundamentales para la instalación	6
Precauciones para la instalación	7
Advertencias fundamentales para el uso	7
Precauciones de uso	9
Advertencias fundamentales para la limpieza	12
Aviso regulatorio	13
Aviso para FCC	13
Aviso IC	14
Anuncio sobre código abierto	15
Instalación	16
Desempaque de la lavadora	16
Componentes	17
Requisitos de instalación	19
Instalación paso a paso	23
Antes de comenzar	28
Configuración inicial	28
Pautas de lavado	28
Pautas para el cajón para detergente	30
Funcionamiento	33
Panel de control	33
Sencillos pasos para comenzar	36
Descripción de los ciclos	37
Tabla de ciclos	39
Funciones especiales	41
SmartThings	43



Mantenimiento	44
<hr/>	
AUTOLIMPIEZA ⁺	44
Smart Care	45
Drenaje de emergencia	46
Limpieza	47
Recuperación de un congelamiento	50
Mantenimiento luego de un período prolongado sin utilizar la lavadora	50
Limpieza del exterior	51
Limpieza del interior	51
Solución de problemas	52
<hr/>	
Verificaciones	52
Códigos de información	56
Especificaciones	58
<hr/>	
Tabla de indicaciones sobre telas	58
Protección del medio ambiente	59
Declaración de conformidad	59
Hoja de especificaciones	60



Información sobre seguridad

Felicitaciones por la compra de la nueva lavadora Samsung. Este manual contiene información importante acerca de la instalación, el uso y el cuidado del electrodoméstico. Lea detenidamente estas instrucciones a fin de aprovechar al máximo los múltiples beneficios y funciones de la lavadora.

Lo que necesita saber sobre las instrucciones de seguridad

Lea este manual detenidamente para aprender a utilizar con seguridad y eficacia todas las características y funciones de su nuevo electrodoméstico. Conserve el manual en un lugar seguro cerca del electrodoméstico para consultas futuras. Utilice este electrodoméstico solo para el propósito para el que fue destinado como se describe en este manual.

Las advertencias y las instrucciones de seguridad importantes de este manual no cubren todas las posibles condiciones y situaciones que pueden ocurrir. Es su responsabilidad actuar con sentido común, precaución y cuidado cuando instale, realice el mantenimiento y ponga en funcionamiento la lavadora.

Puesto que las siguientes instrucciones de funcionamiento sirven para varios modelos, las características de su lavadora pueden diferir ligeramente de las que se describen en este manual y es posible que no todos los signos de advertencia sean aplicables. Si tiene alguna consulta o duda, comuníquese con el centro de servicio más cercano o busque ayuda e información en línea en www.samsung.com.

Símbolos de seguridad importantes

Los íconos y las señales incluidas en este manual del usuario significan lo siguiente:

ADVERTENCIA

Peligros o prácticas inseguras que podrían causar **lesiones físicas graves, la muerte y/o daños materiales**.

PRECAUCIÓN

Peligros o prácticas inseguras que podrían causar **lesiones físicas y/o daños materiales**.

NOTA

Indica que existe el riesgo de lesiones físicas o daños materiales.

Estas señales de advertencia tienen por objeto evitar que usted u otras personas sufran lesiones.

Sígalas completamente.

Después de leer este manual, guárdelo en un lugar seguro para consultas futuras.

Lea todas las instrucciones antes de usar el electrodoméstico.

Al igual que con cualquier equipo que usa electricidad y piezas móviles, existen riesgos potenciales. Para usar este electrodoméstico en forma segura, familiarícese con su funcionamiento y manéjelo con cuidado cuando lo use.

CONSERVE ESTAS INSTRUCCIONES



Precauciones de seguridad importantes

ADVERTENCIA

Para reducir el riesgo de incendio, descarga eléctrica o lesiones físicas cuando usa este electrodoméstico, siga las instrucciones de seguridad básicas que figuran a continuación:

1. Lea todas las instrucciones antes de usar el electrodoméstico.
2. No lave ni seque prendas que se han limpiado, lavado, remojado o salpicado previamente con gasolina, solventes de limpieza en seco u otras sustancias inflamables o explosivas, ya que emiten vapores que pueden encenderse o explotar.
3. No permita que los niños jueguen sobre el electrodoméstico ni dentro de él. Se requiere de supervisión cuando el electrodoméstico es utilizado cerca de los niños.
4. Antes de descartar el electrodoméstico o de trasladarlo para que se le efectúe el servicio técnico, retire la puerta del compartimiento de la lavadora o la secadora.
5. No introduzca la mano en el electrodoméstico si la tina está en movimiento.
6. No instale ni almacene este electrodoméstico donde quede expuesto a los factores climáticos.
7. No modifique los controles.
8. No repare, reemplace ni intente realizar el mantenimiento de ninguna pieza del electrodoméstico salvo que esté recomendado específicamente en las instrucciones de mantenimiento del usuario o en las instrucciones de reparación para el usuario publicadas y que, a su juicio, usted tenga la habilidad para llevarlas a cabo.
9. No agregue gasolina, solventes de limpieza en seco u otras sustancias inflamables o explosivas al agua del lavado. Estas sustancias emiten vapores que pueden encenderse o explotar.
10. En ciertas circunstancias, puede producirse gas hidrógeno en un sistema de agua caliente que no se ha usado durante 2 semanas o más. EL GAS HIDRÓGENO ES EXPLOSIVO. Si el sistema de agua caliente no fue utilizado durante dicho período, antes de usar la lavadora o la lavadora y la secadora combinadas, abra las llaves del agua caliente y deje correr el agua por varios minutos. De esta manera, se eliminará el gas hidrógeno acumulado. Dado que el gas es inflamable, no fume ni use una llama abierta en ese momento.

PROPOSICIÓN 65 DE CALIFORNIA: ADVERTENCIA

ADVERTENCIA

Cáncer y afecciones reproductivas - www.P65Warnings.ca.gov.

CONSERVE ESTAS INSTRUCCIONES



Información sobre seguridad

Advertencias fundamentales para la instalación

ADVERTENCIA

La instalación de este electrodoméstico la debe efectuar un técnico calificado o una empresa de servicios.

- De lo contrario, pueden producirse descargas eléctricas, incendios, explosiones, problemas con el producto o lesiones.

El electrodoméstico es pesado, tenga cuidado cuando lo levante.

Enchufe el cable de alimentación a un tomacorriente de pared que cumpla las especificaciones eléctricas locales. Utilice el tomacorriente solo con este electrodoméstico y no use un cable prolongador.

- Compartir el tomacorriente de pared con otros electrodomésticos, utilizando un multicontacto o prolongando el cable de alimentación, puede provocar una descarga eléctrica o un incendio.
- Asegúrese de que el voltaje, la frecuencia y la corriente suministrados a la lavadora coincidan con los indicados en las especificaciones del producto. De lo contrario, se puede provocar una descarga eléctrica o un incendio. Enchufe el cable de alimentación firmemente en el tomacorriente de pared.

Retire regularmente todas las sustancias extrañas, como polvo o agua, de los terminales y los puntos de contacto de la alimentación con un paño seco.

- Desenchufe el cable de alimentación y límpielo con un paño seco.
- De lo contrario, se puede provocar una descarga eléctrica o un incendio.

Enchufe el cable de alimentación en un tomacorriente de pared de manera que el cable baje hacia el piso.

- Si enchufa el cable de alimentación en el tomacorriente en la dirección opuesta, los cables eléctricos del interior del cable pueden dañarse y provocar un incendio o una descarga eléctrica.

Mantenga los materiales de empaque fuera del alcance de los niños, ya que son peligrosos para ellos.

- Si un niño mete la cabeza en una bolsa de plástico, se puede asfixiar.

Si el electrodoméstico, el enchufe o el cable de alimentación están dañados, comuníquese con el centro de servicio más cercano.

Este electrodoméstico debe conectarse a tierra correctamente.

La toma de tierra no se debe conectar a una conducción de gas o de agua ni a la línea telefónica.

- Puede provocar una descarga eléctrica, un incendio, una explosión o problemas con el producto.
- Nunca enchufe el cable de alimentación en un tomacorriente que no esté conectado a tierra correctamente. Asegúrese de que el tomacorriente cumpla con las normativas locales y nacionales.

No instale este electrodoméstico cerca de un calefactor o de materiales inflamables.

No instale este electrodoméstico en un lugar húmedo, grasiento o cubierto de polvo, ni lo exponga a la luz directa del sol o al agua (gotas de lluvia).

No instale este electrodoméstico en un lugar donde se registren bajas temperaturas.

- El hielo puede reventar los tubos.

CONSERVE ESTAS INSTRUCCIONES



No instale este electrodoméstico en un lugar donde pueda haber fugas de gas.

- Puede provocar una descarga eléctrica o un incendio.

No utilice transformadores eléctricos para alimentar la lavadora.

- Puede provocar una descarga eléctrica o un incendio.

No utilice un cable de alimentación dañado ni un tomacorriente que esté flojo.

- Puede provocar una descarga eléctrica o un incendio.

No jale el cable de alimentación ni lo doble excesivamente.

No tuerza ni ate el cable de alimentación.

No cuelgue el cable de alimentación de un objeto metálico, no coloque objetos pesados sobre él, no inserte el cable de alimentación entre objetos ni lo empuje en un espacio detrás del electrodoméstico.

- Puede provocar una descarga eléctrica o un incendio.

No jale el cable de alimentación para desenchufarlo.

- Para desenchufar el cable de alimentación, jálelo sujetándolo por el enchufe.
- De lo contrario, se puede provocar una descarga eléctrica o un incendio.

El electrodoméstico debe colocarse en una posición en la que el tomacorriente, las llaves de suministro de agua y los tubos de drenaje sean accesibles.

Precauciones para la instalación

⚠ PRECAUCIÓN

Este electrodoméstico debe estar ubicado de manera tal que se pueda acceder fácilmente al enchufe.

- De lo contrario, se puede provocar un incendio o una descarga debido a las fugas eléctricas.

Instale el electrodoméstico sobre una superficie sólida y nivelada que pueda soportar su peso.

- De lo contrario, pueden producirse vibraciones anormales, movimientos, ruidos o problemas con el producto.

Advertencias fundamentales para el uso

⚠ ADVERTENCIA

Si el electrodoméstico se inunda, corte inmediatamente el suministro de agua y la alimentación y comuníquese con el centro de servicio más cercano.

- No toque el enchufe con las manos mojadas.
- Se puede provocar una descarga eléctrica.

Si el electrodoméstico genera ruidos extraños, olor a quemado o humo, desconéctelo inmediatamente y llame al centro de servicio más cercano.

- De lo contrario, se puede provocar una descarga eléctrica o un incendio.

CONSERVE ESTAS INSTRUCCIONES



Información sobre seguridad

En caso de fugas de gas (como propano, LP, etc.), ventile inmediatamente sin tocar el enchufe. No toque el electrodoméstico ni el cable de alimentación.

- No utilice un ventilador.
- Una chispa puede provocar un incendio o una explosión.

No permita que los niños jueguen sobre la lavadora o dentro de ella. Además, cuando se deshaga del electrodoméstico, quite el cierre de la puerta de la lavadora.

- Los niños pueden asfixiarse y morir si quedan atrapados dentro del producto.

Asegúrese de quitar el empaque (goma espuma, poliestireno) del fondo de la lavadora antes de utilizarla.

No utilice la lavadora para lavar prendas contaminadas con gasolina, queroseno, benceno, disolventes de pinturas, alcohol u otras sustancias inflamables o explosivas.

- Puede provocar una descarga eléctrica, un incendio o una explosión.

No abra la puerta de la lavadora por la fuerza mientras esté en funcionamiento (lavado a alta temperatura/secado/centrifugado).

- El agua que salga de la lavadora puede causar quemaduras o convertir el suelo en resbaladizo. Puede provocar lesiones.
- Abrir la puerta por la fuerza puede dañar el producto o causar lesiones personales.

No introduzca las manos bajo la lavadora cuando esté en funcionamiento.

- Puede provocar lesiones.

No toque el enchufe con las manos mojadas.

- Puede provocar una descarga eléctrica.

No apague el electrodoméstico desenchufándolo mientras esté en funcionamiento.

- Si vuelve a enchufar el electrodoméstico en el tomacorriente puede originar una chispa y causar una descarga eléctrica o un incendio.

No permita que los niños se suban al electrodoméstico.

- Esto puede provocar una descarga eléctrica, quemaduras o lesiones personales.

No introduzca la mano ni objetos de metal bajo la lavadora mientras esté en funcionamiento.

- Puede provocar lesiones.

No desenchufe el electrodoméstico jalando el cable de alimentación. Sujete siempre el enchufe firmemente y extráigalo en línea recta.

- Un cable de alimentación dañado puede provocar un cortocircuito, un incendio o una descarga eléctrica.

No trate de reparar, desensamblar ni modificar el electrodoméstico usted mismo.

- No utilice un fusible (de cobre, cable de acero, etc.) que no sea el estándar.
- Cuando deba reparar o volver a instalar el electrodoméstico, comuníquese con el centro de servicio más cercano.
- De lo contrario, se puede provocar una descarga eléctrica, un incendio, problemas con el producto o lesiones.

CONSERVE ESTAS INSTRUCCIONES



Si se afloja la manguera de suministro de agua de la llave de agua y se inunda el electrodoméstico, desenchufe el cable de alimentación.

- De lo contrario, se puede provocar una descarga eléctrica o un incendio.

Desenchufe el electrodoméstico si no lo va a utilizar durante un período prolongado o durante una tormenta eléctrica.

- De lo contrario, se puede provocar una descarga eléctrica o un incendio.

Si entra alguna sustancia extraña en el electrodoméstico, desenchufe el cable de alimentación y comuníquese con el centro de atención al cliente de Samsung más cercano.

- Puede provocar una descarga eléctrica o un incendio.

No permita que los niños (ni las mascotas) jueguen encima o dentro de la lavadora. La puerta de la lavadora no se abre con facilidad desde el interior, y los niños podrían lastimarse gravemente si quedaran atrapados adentro.

Precauciones de uso

PRECAUCIÓN

Si la lavadora está contaminada por sustancias extrañas, tales como detergente, tierra, restos de alimentos, etc., desenchufe el cable de alimentación y limpie la lavadora con un paño suave humedecido.

- Si no lo hace se puede producir decoloración, deformación, daños u óxido.

El vidrio frontal se puede romper con un impacto fuerte. Tenga cuidado cuando utilice la lavadora.

- La rotura del vidrio puede causar lesiones.

Tras una falla del suministro de agua o cuando se vuelve a conectar la manguera de suministro, abra lentamente la llave de agua.

Abra lentamente la llave de agua tras un período prolongado de falta de uso.

- La presión de aire en la manguera de suministro de agua o en la tubería de agua puede dañar una pieza o provocar fugas de agua.

Si durante el funcionamiento hay una falla en el drenaje, revise el drenaje.

- Si se utiliza la lavadora inundada por una falla en el drenaje, se puede provocar una descarga eléctrica o un incendio.

Introduzca completamente la ropa en la lavadora para que no pueda quedar atrapada por la puerta.

- Si la ropa queda atrapada por la puerta, puede dañarse la ropa o la lavadora, o puede provocar fugas de agua.

Cierre el suministro de agua cuando la lavadora no esté en uso.

- Asegúrese de que los conectores de la manguera de suministro de agua estén correctamente ajustados.

CONSERVE ESTAS INSTRUCCIONES



Información sobre seguridad

Asegúrese de que la arandela de goma y el vidrio de la puerta frontal no estén contaminados por sustancias extrañas (como restos, hilos, cabellos, etc.)

- Si una sustancia extraña queda atrapada en la puerta o si la puerta no está bien cerrada, se puede producir una fuga de agua.

Antes de utilizar el producto, abra la llave del agua y verifique que los conectores de la manguera de suministro estén bien ajustados y que no haya fugas de agua.

- Si los conectores de la manguera de suministro de agua están flojos, puede haber fugas de agua.

El producto adquirido está diseñado exclusivamente para uso doméstico.

El uso del producto con fines comerciales se considera un uso incorrecto del producto. Si se hace un uso comercial del producto, este no quedará cubierto por la garantía estándar que ofrece Samsung y no se podrá atribuir a Samsung ninguna responsabilidad por el mal funcionamiento o los daños resultantes de este uso incorrecto.

No se pare encima del electrodoméstico ni le coloque encima objetos (como ropa, velas o cigarrillos encendidos, platos, productos químicos, objetos metálicos, etc.).

- Puede provocar una descarga eléctrica, un incendio, problemas con el producto o lesiones.

No rocíe materiales volátiles, como insecticidas, en la superficie del electrodoméstico.

- Además de ser perjudiciales para las personas, también pueden provocar una descarga eléctrica, un incendio o problemas con el producto.

No coloque objetos que generen campos electromagnéticos cerca de la lavadora.

- Puede causar lesiones por un mal funcionamiento.

El agua que se drena durante el lavado a alta temperatura o durante el ciclo de secado está caliente. No toque el agua.

- Puede causar lesiones personales o quemaduras.

No lave, centrifugue ni seque asientos, alfombrillas o prendas impermeables (*) a menos que su electrodoméstico tenga un ciclo especial para lavar estos artículos.

(*): Ropa de cama de lana, fundas de lluvia, chalecos de pesca, pantalones de esquí, bolsas de dormir, cubiertas de pañales, chándales, cubiertas de bicicletas, motos y automóviles, etc.

- No lave alfombrillas gruesas o espesas aunque lleven la marca de lavado en la etiqueta. Se pueden producir lesiones o dañar la lavadora, las paredes, el piso o la ropa debido a las vibraciones anormales.
- No lave alfombras ni felpudos con forro de goma. El forro de goma se puede desprender y adherirse al tambor, lo que puede resultar en un funcionamiento anómalo, por ejemplo una falla en el drenaje.

No haga funcionar la lavadora sin el dosificador de detergente.

- Se puede provocar una descarga eléctrica o lesiones debido a fugas de agua.

No toque el interior del tambor durante o inmediatamente después del secado, ya que está caliente.

- Podrían quemarse.

La puerta se calienta durante el lavado y el secado. Por lo tanto, no toque la puerta de vidrio.

CONSERVE ESTAS INSTRUCCIONES



Tampoco permita que los niños jueguen cerca de la lavadora ni que toquen la puerta de vidrio.

- Podrían quemarse.

No introduzca las manos en el cajón del detergente.

- Se puede dañar la mano ya que ésta puede quedar atrapada por el dispositivo de introducción del detergente.
- No utilice detergente en polvo en el compartimiento para detergente líquido (únicamente para los modelos aplicables). Retire el compartimiento y coloque el detergente en polvo directamente en el compartimiento de lavado principal.

No introduzca ningún objeto (como zapatos, restos de comida, animales) que no sea ropa en la lavadora.

- Se puede dañar la lavadora, causar lesiones o la muerte en caso de mascotas por vibraciones anormales.

No presione los botones con objetos afilados, como alfileres, cuchillos, las uñas, etc.

- Puede provocar una descarga eléctrica o lesiones personales.

No lave ropa contaminada por aceites, cremas o lociones que se utilizan normalmente en los establecimientos para el cuidado de la piel o en las clínicas de masajes.

- Se puede deformar la arandela de goma y provocar fugas de agua.

No deje objetos de metal (tales como clips, horquillas, etc.) ni blanqueador en el tambor durante períodos prolongados.

- Estas dos acciones pueden oxidar el tambor.
- Si comienza a aparecer óxido en la superficie del tambor, aplique un agente limpiador (neutro) sobre la superficie y utilice una esponja para limpiarla. Nunca utilice un cepillo de metal.

No utilice detergentes de limpieza en seco directamente ni lave, enjuague ni centrifugue ropa contaminada por detergentes de limpieza en seco.

- Se puede producir una combustión espontánea o un incendio por el calor de la oxidación del aceite.

No utilice agua de los dispositivos de calentamiento o enfriamiento del agua.

- Podría causar problemas en la lavadora.

No utilice jabón natural para lavado a mano en la lavadora.

- Si se endurece y se acumula en el interior de la lavadora, puede causar problemas en el producto, como decoloración, óxido y malos olores.

Coloque medias y brassieres en una red y lávelas junto con otra ropa.

No lave prendas grandes como ropa de cama dentro de una red.

- De no hacerlo se pueden producir lesiones personales por las vibraciones anormales.

No utilice detergente endurecido.

- Si se acumula en el interior de la lavadora, puede provocar fugas de agua.

Asegúrese de que los bolsillos de las prendas que vaya a lavar estén vacíos.

- Los objetos duros o afilados, tales como monedas, clips, clavos, tornillos o piedras pueden causar daños considerables en la lavadora.

CONSERVE ESTAS INSTRUCCIONES

Información sobre seguridad

No utilice la lavadora para lavar ropa que contenga hebillas o botones grandes u otros objetos de metal pesados.

Clasifique las prendas según la solidez del color y seleccione el ciclo, la temperatura del agua y las funciones adicionales recomendadas.

- De lo contrario, se pueden decolorar o dañar las telas.

Al cerrar la puerta tenga cuidado de no atrapar los dedos de los niños.

- Si no lo hace, se pueden provocar lesiones personales.

Advertencias fundamentales para la limpieza

ADVERTENCIA

No limpie el electrodoméstico rociando directamente agua dentro de él.

No utilice un agente limpiador muy ácido.

No utilice benceno, disolventes ni alcohol para limpiar el electrodoméstico.

- Puede provocar decoloración, deformación, daños, incendio o descarga eléctrica.

Antes de la limpieza o las tareas de mantenimiento, desenchufe el electrodoméstico del tomacorriente de la pared.

- De lo contrario, se puede provocar una descarga eléctrica o un incendio.

CONSERVE ESTAS INSTRUCCIONES

Aviso regulatorio

Aviso para FCC

PRECAUCIÓN

Todos los cambios y modificaciones que no cuenten con la aprobación expresa de la parte responsable del cumplimiento invalidará la autoridad del usuario para operar el equipo.

Este dispositivo cumple con el Apartado 15 de las Normas de la FCC. El funcionamiento se encuentra sujeto a las siguientes dos condiciones:

1. Este electrodoméstico no puede causar interferencia dañina, y
2. Este electrodoméstico debe aceptar la recepción de cualquier interferencia, incluidas aquellas que puedan causar un funcionamiento indeseado.

En los productos vendidos en los mercados de Estados Unidos y Canadá, solo están disponibles los canales 1–11. No es posible seleccionar otros canales.

DECLARACIÓN DE LA FCC:

Este equipo ha sido sometido a pruebas y se ha determinado que se encuentra dentro de los límites para los dispositivos digitales clase B, de acuerdo con el apartado 15 de las Normas de la FCC. Dichos límites han sido diseñados para proporcionar una protección razonable contra la interferencia dañina en una instalación residencial. Este equipo genera, utiliza y puede irradiar energía de frecuencias de radio y, si no se lo instala y utiliza de acuerdo con las instrucciones, puede provocar interferencia dañina a las comunicaciones de radio. Sin embargo, no existe garantía alguna de que no habrá interferencia en una instalación determinada. Si el equipo provoca interferencia dañina a la recepción de radio o televisión, que puede determinarse al encender y apagar el equipo, se sugiere que el usuario trate de corregir la interferencia mediante una o más de las siguientes medidas:

- Reorientar o reubicar la antena receptora.
- Aumentar la distancia entre el equipo y el receptor
- Conectar el equipo a un tomacorriente que esté en un circuito diferente al de la radio o el televisor.
- Consultar al distribuidor o a un técnico experimentado en radio/TV para obtener ayuda.

DECLARACIÓN DE LA FCC SOBRE LA EXPOSICIÓN A LA RADIACIÓN:

Este equipo cumple con los límites de exposición a la radiación establecidos por la FCC para un entorno no controlado. Este equipo debe instalarse y utilizarse con una distancia mínima de 8 pulgadas (20 cm) entre el radiador y su cuerpo. Este electrodoméstico y su/s antena/s no deben ubicarse ni utilizarse junto con ninguna otra antena o transmisor.

CONSERVE ESTAS INSTRUCCIONES



Aviso regulatorio

Aviso IC

El término "IC" antes del número de certificación de radio significa únicamente que se han cumplido las especificaciones técnicas del Ministerio de Industria del Canadá. El funcionamiento se encuentra sujeto a las siguientes dos condiciones:

1. Este electrodoméstico no puede causar interferencia, y
2. Este electrodoméstico debe aceptar cualquier interferencia, incluidas aquellas que puedan causar un funcionamiento indeseado del dispositivo.

Este aparato digital Clase B cumple con la norma canadiense ICES-003.

Cet appareil numérique de la classe B est conforme à la norme NMB-003 du Canada.

En los productos vendidos en los mercados de Estados Unidos y Canadá, solo están disponibles los canales 1-11. No es posible seleccionar otros canales.

DECLARACIÓN DE LA IC SOBRE LA EXPOSICIÓN A LA RADIACIÓN:

Este equipo cumple con los límites de exposición a la radiación RSS-102 establecidos por la IC para un entorno no controlado. Este equipo debe instalarse y utilizarse con una distancia mínima de 8 pulgadas (20 cm) entre el radiador y su cuerpo. Este electrodoméstico y su/s antena/s no deben ubicarse ni utilizarse junto con ninguna otra antena o transmisor.



CONSERVE ESTAS INSTRUCCIONES



Anuncio sobre código abierto

El software incluido en este producto contiene software de código abierto. Puede obtener el código fuente correspondiente completo por un período de tres años a partir del último envío de este producto comunicándose con nuestro equipo de soporte a través de la página <http://opensource.samsung.com> (Utilice el menú de "Consultas").

Asimismo es posible obtener el correspondiente código fuente completo en un soporte físico como un CD-ROM; se le cobrará una tasa mínima.

En la siguiente URL http://opensource.samsung.com/opensource/SMART_AT_051/seq/0 encontrará la información de la licencia de código abierto relacionada con este producto. Esta oferta es válida para quienes reciban esta información.



NOTA

Por la presente, Samsung Electronics declara que el artefacto del tipo de equipo radioeléctrico se ajusta a lo dispuesto en la Directiva 2014/53/EU. El texto completo de la declaración de conformidad de la UE está disponible en la siguiente dirección de internet: La declaración oficial de conformidad puede encontrarse en <http://www.samsung.com>, vaya a Soporte > busque Conoce tu producto e ingrese el nombre del modelo.

Potencia máxima de transmisor Wi-Fi: 20 dBm a 2.412 GHz – 2.472 GHz

CONSERVE ESTAS INSTRUCCIONES



Instalación

Siga detenidamente estas instrucciones para asegurar una adecuada instalación de la lavadora y evitar accidentes al lavar la ropa.

⚠ ADVERTENCIA

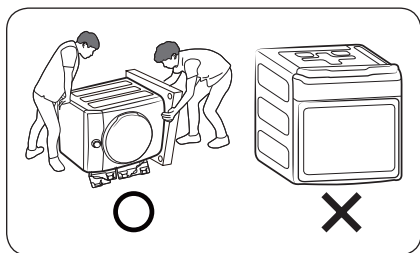
Algunas piezas internas no están conectadas a tierra intencionalmente y pueden presentar riesgo de descarga eléctrica únicamente durante el servicio técnico. Personal del servicio técnico - No toque las siguientes piezas mientras el electrodoméstico está recibiendo electricidad: Panel de control, disipador térmico, motor, válvula de entrada y bomba.

Desempaque de la lavadora

Desempaque la lavadora e inspecciónela para controlar que no se hayan producido daños durante el transporte. Asegúrese de haber recibido todos los elementos que se muestran en la página siguiente. Si la lavadora sufrió daños durante el transporte, o si falta algún elemento, llame al 1-800-SAMSUNG (1-800-726-7864). Para evitar lesiones físicas o distensiones musculares, use guantes protectores cada vez que levante o transporte la unidad.

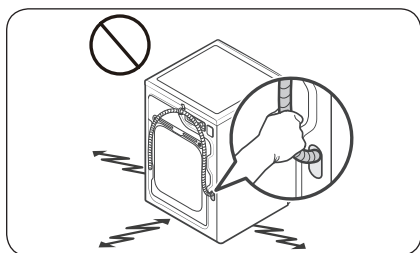
⚠ ADVERTENCIA

Los materiales de empaque pueden ser peligrosos para los niños. Mantenga todos los materiales de empaque (bolsas de plástico, poli estireno, etc.) fuera del alcance de los niños.



⚠ PRECAUCIÓN

Se necesitan 2 personas para desempacar la lavadora como mínimo. No incline la lavadora hacia adelante al retirar la protección de la parte inferior de los materiales de empaque. Cuando recline la lavadora para retirar la base de cartón, proteja el lateral y deposítela con cuidado. Nunca apoye la lavadora sobre la parte frontal ni posterior.



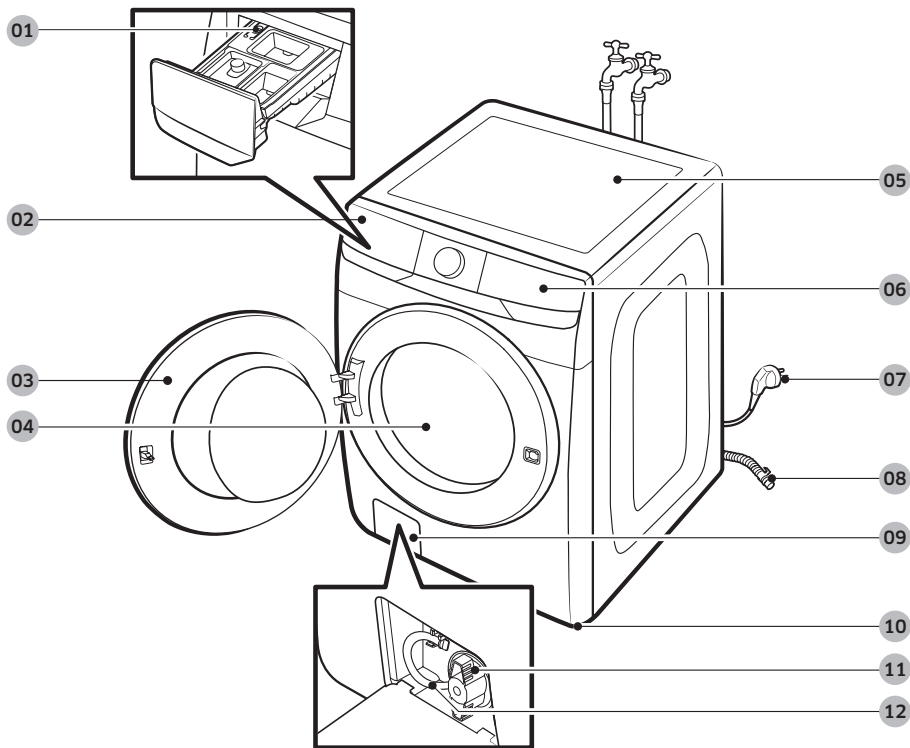
⚠ PRECAUCIÓN

No sujete ni jale la manguera de drenaje para arrastrar y mover el producto.



Componentes

Asegúrese de que todos los componentes estén incluidos en el paquete. Si tiene algún problema con la lavadora o las piezas, comuníquese con el centro de atención al cliente de Samsung al 1-800-SAMSUNG (1-800-726-7864) o con el vendedor.



- | | | |
|-------------------------|--------------------------|----------------------------------|
| 01 Palanca de seguridad | 02 Cajón para detergente | 03 Puerta |
| 04 Tambor | 05 Encimera | 06 Panel de control |
| 07 Enchufe | 08 Manguera de drenaje | 09 Cubierta del filtro |
| 10 Patas niveladoras | 11 Filtro de la bomba | 12 Tubo de drenaje de emergencia |



Instalación

Partes suministradas



Llave inglesa



Tapas de los tornillos



Guía de la manguera



Sujetacables



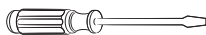
Almohadillas antideslizantes

Partes no suministradas



Mangueras de agua (se venden por separado)

Herramientas necesarias para la instalación



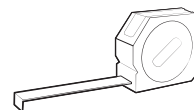
Destornillador Phillips



Nivelador



Pinzas ajustables



Cinta de medir

NOTA

- Tapas de los tornillos: La cantidad de tapas para tornillos (3 a 6) provista depende del modelo.
- El aspecto de la lavadora y los accesorios provistos puede diferir dependiendo del modelo.
- Para comprar accesorios o piezas perdidas, comuníquese con un centro de servicios Samsung o con el vendedor.

PRECAUCIÓN

- No vuelva a utilizar las mangueras viejas, ya que pueden tener fugas o se pueden reventar y provocar inundaciones o daños materiales.
- Asegúrese de que las arandelas de goma estén insertadas en cada unión de las dos mangueras de agua.



Requisitos de instalación

Suministro eléctrico y conexión a tierra

- Se requiere un fusible o interruptor de 120 V CA / 60 Hz / 15 AMP.
- Utilice un circuito derivado individual. Conecte solo la lavadora al circuito.

Para asegurar una conexión a tierra adecuada, la lavadora está equipada con un cable de alimentación que cuenta con un enchufe de tres pines con conexión a tierra para utilizar en un tomacorriente con conexión a tierra correctamente instalado.

Si tiene dudas sobre la correcta conexión a tierra, consulte con un electricista o un técnico de servicio acreditados. No modifique el enchufe provisto. Si no entra en el tomacorriente, solicite a un electricista calificado que instale el tomacorriente apropiado.

ADVERTENCIA

- NO utilice un cable prolongador.
- Utilice únicamente el cable de alimentación que viene con la lavadora.
- NO conecte el cable a tierra a las tuberías de plástico, las tuberías de gas o a las cañerías de agua caliente.
- La conexión no adecuada de los conductores de descarga a tierra puede generar una descarga eléctrica.
- Para evitar el riesgo innecesario de incendio, descarga eléctrica o lesiones físicas, todo el cableado y la conexión a tierra deben realizarse de conformidad con los códigos locales o, en ausencia de ellos, de conformidad con el Código Eléctrico Nacional, ANSI/NFPA Nro. 70, su última revisión (para EE.UU.) o el Código Eléctrico Canadiense CSA C22.1, sus últimas revisiones y los códigos y ordenanzas locales. Es su responsabilidad proveer el servicio eléctrico adecuado para su lavadora.

Suministro de agua

La presión de agua adecuada para esta lavadora es de 20-116 psi (137-800 kPa). Una presión de agua inferior a 20 psi (137 kPa) puede impedir que la válvula de agua se cierre completamente. También puede hacer que el tambor demore demasiado en llenarse y se apague la lavadora. Las llaves del agua deben estar colocadas dentro de los 4 pies (122 cm) de la parte posterior de la lavadora para que las mangueras de entrada provistas puedan llegar a la lavadora.

Para reducir el riesgo de fugas:

- Asegúrese de que las llaves de agua se encuentren en una posición accesible.
- Cierre las llaves cuando la lavadora no esté en uso.
- Revise periódicamente que no haya pérdidas de agua en los accesorios de la manguera de entrada de agua.

PRECAUCIÓN

Antes de utilizar la lavadora por primera vez, controle que todas las conexiones de la válvula y de la llave del agua no presenten pérdidas.

Drenaje

Samsung recomienda una toma de agua de 18 in (460 mm) de altura. La manguera de drenaje debe conectarse a la toma de agua a través del gancho, y la toma de agua debe cubrir totalmente la manguera de drenaje.

Instalación

Piso

Para un mejor desempeño, la lavadora debe estar instalada sobre un piso sólido. Posiblemente los pisos de madera necesiten reforzarse para minimizar la vibración y/o el desequilibrio de la carga. Las superficies alfombradas o con revestimiento sintético no ofrecen una buena resistencia a las vibraciones y pueden causar que la lavadora se desplace levemente durante el ciclo de centrifugado.

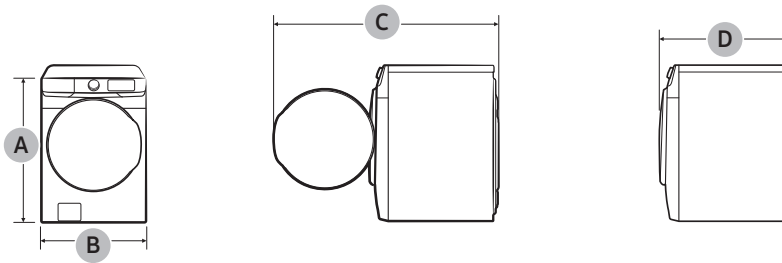
⚠ PRECAUCIÓN

NO instale la lavadora sobre una plataforma o sobre una estructura con soportes poco resistentes.

Temperatura del agua

No instale la lavadora en áreas donde el agua se congele, dado que la lavadora siempre retiene algo de agua en las válvulas de agua, la bomba y las mangueras. El agua congelada puede dañar las correas, la bomba y otros componentes de la lavadora.

Dimensiones



A. Altura total	38.7 pulg. (984 mm)
B. Ancho	27 pulg. (686 mm)
C. Profundidad con la puerta abierta	52.6 pulg. (1337 mm)
D. Profundidad	31.3 pulg. (796 mm)

Requisito de espacio libre

Este requisito de espacio libre solo se aplica a las lavadoras.

NOTA

- Para el requisito de espacio libre para secadoras, consulte el manual del usuario de la secadora.
- En caso de que la lavadora y la secadora tengan distintos requisitos de espacio libre, utilice el valor mayor.

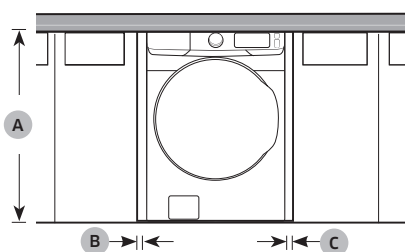
Instalaciones del electrodoméstico en un gabinete o en un hueco

Espacio libre mínimo para un funcionamiento estable:

Laterales	Arriba	Posterior	Frente
1 pulg. (25 mm)	1 pulg. (25 mm)	5 pulg. (127 mm)	1 pulg. (25 mm)

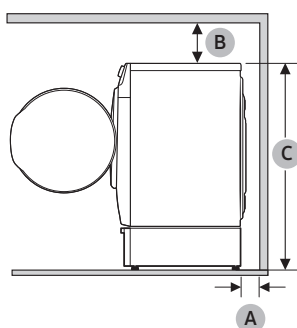
Si se instalan una lavadora y una secadora en la misma ubicación, el frente del gabinete o hueco debe tener dos aberturas de aire sin obstrucciones que combinadas sean de al menos 72 pulg² (465 cm²).

Instalación debajo de mostrador



A	39.6 pulg. (1006 mm)
B	1 pulg. (25 mm)
C	1 pulg. (25 mm)

Instalación en pedestal



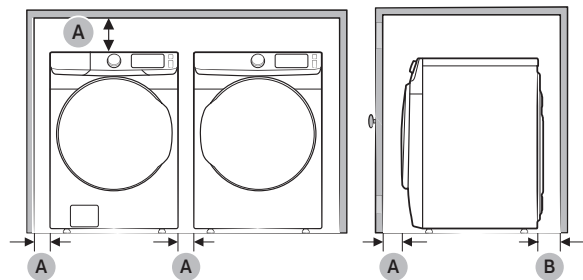
A	5 pulg. (127 mm)
B	6 pulg. (152 mm)
C	52.0 pulg. (1320 mm)



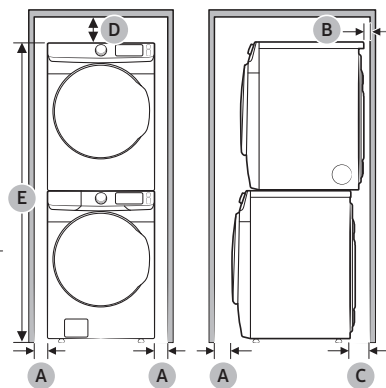
Instalación

Este requisito de espacio libre se aplica para la instalación de la lavadora y la secadora juntas.

Instalación lado a lado



Instalación apilada (Modelo: SKK-8K)



A	1 pulg. (25 mm)
B	5.2 pulg. (132 mm)
C	6.4 pulg. (162 mm)
D	6 pulg. (152 mm)
E	78.5 pulg. (1994 mm)

⚠ ADVERTENCIA

- La lavadora y la secadora Samsung pueden apilarse para maximizar el espacio utilizable.
- Deben retirarse las patas de la secadora para apilarla sobre la lavadora. Puede adquirir un kit de apilamiento opcional en su comercio minorista de productos Samsung.



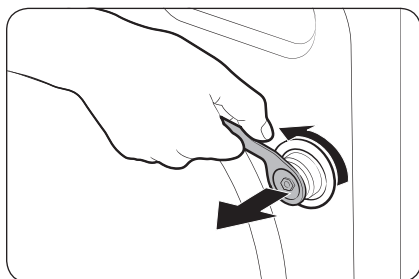
Instalación paso a paso

PASO 1 Seleccionar una ubicación

Requisitos de la ubicación:

- Una superficie sólida y nivelada sin alfombras ni revestimientos para pisos que puedan obstruir la ventilación
- No expuesta a la luz directa del sol
- Espacio suficiente para la ventilación y el cableado
- La temperatura ambiente debe ser siempre superior al punto de congelación (32 °F / 0 °C)
- Alejada de fuentes de calor

PASO 2 Retirar los tornillos de transporte

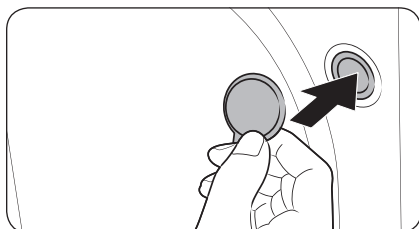


Desempaque el producto y retire todos los tornillos de transporte.

1. Afloje todos los tornillos de transporte de la parte posterior de la máquina con la llave.

NOTA

Use el extremo cerrado de la llave inglesa provista para retirar los tornillos de transporte.



2. Cubra los orificios con las tapas de plástico para tornillos provistas. Conserve los tornillos de transporte en caso de que los necesite en el futuro.

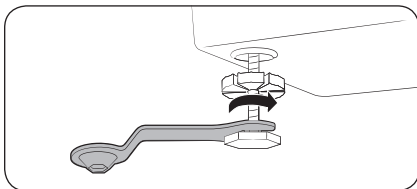
ADVERTENCIA

- Los tornillos de transporte fijan el tambor durante el traslado del producto y reducen el riesgo de daño de la suspensión. Quite los tornillos de transporte antes de utilizar el producto y solo vuelva a colocarlos si debe trasladarlo.
- Los materiales de empaque pueden ser peligrosos para los niños. Deseche todos los materiales de empaque (bolsas de plástico, poliestireno, etc.) lejos del alcance de los niños.

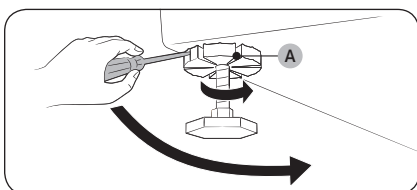


Instalación

PASO 3 Ajustar las patas niveladoras



1. Deslice con cuidado la lavadora hasta dejarla en su lugar. Una fuerza excesiva puede dañar las patas niveladoras.
2. Gire las patas niveladoras en el sentido de las agujas del reloj o en el sentido contrario al de las agujas del reloj con una llave para ajustar la altura hasta que la lavadora quede nivelada.

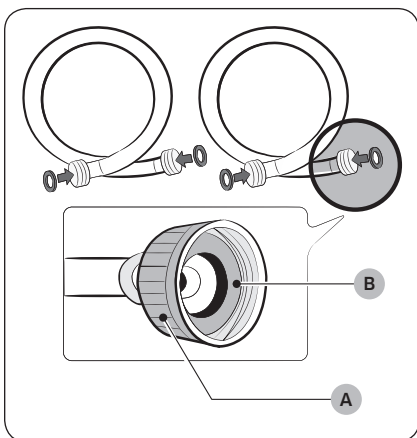


3. Con un destornillador para tornillos de cabeza plana, ajuste las **tuercas de fijación (A)**.

NOTA

Use el extremo abierto de la llave inglesa provista para ajustar las patas niveladoras.

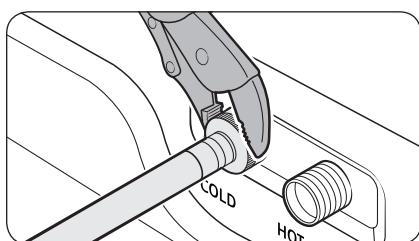
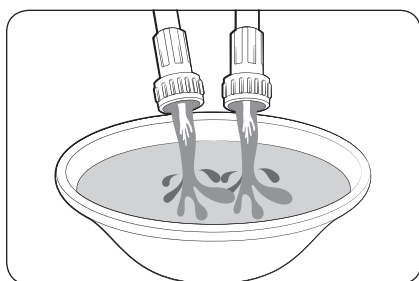
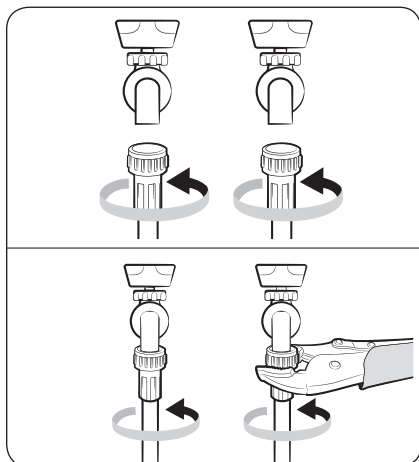
PASO 4 Conectar la manguera de agua



PRECAUCIÓN

- Asegúrese de usar mangueras de agua nuevas, y de que las **juntas de goma (B)** estén dentro de los **acoplamientos (A)** en ambos extremos de las mangueras. Es posible que las mangueras de agua que no tengan juntas pierdan.
- Deje 5 pulgadas (127 mm) entre la parte posterior de la lavadora y la pared para evitar que las mangueras de agua se enrosquen. Las mangueras enroscadas pueden presentar pérdidas de agua.
- Si hay una fuga de agua, deje de utilizar la lavadora y comuníquese con un centro de servicio local de Samsung. Una fuga de agua puede provocar una descarga eléctrica.
- No estire a la fuerza las mangueras de agua. Si una manguera resulta demasiado corta, reemplácela por otra manguera más larga.





1. Conecte las mangueras de agua a las entradas de agua fría y caliente y ajuste los conectores con la mano hasta que estén bien apretados. Luego, utilice pinzas para ajustar los conectores dos tercios adicionales. No ajuste los conectores de más para evitar dañarlos.
2. Jale las mangueras de agua para verificar que estén bien conectadas.

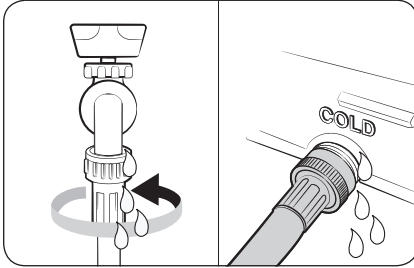
3. Coloque los otros extremos de las mangueras en una cubeta y abra las llaves de agua durante 10 a 15 segundos para eliminar las impurezas. Cuando haya terminado, cierre las llaves de agua.

4. Conecte las mangueras de agua a las entradas de agua fría y caliente en la parte trasera de la lavadora y ajuste los conectores con la mano hasta que estén bien apretados. Luego, utilice pinzas para ajustar los conectores dos tercios adicionales.

NOTA

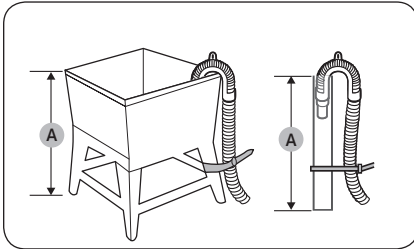
Si no desea usar la manguera de suministro de agua caliente, inserte el tapón en la entrada del agua caliente. Cuando realice el lavado, presione **Temp. (Temperatura)** para seleccionar Cold (Fría).

Instalación



- Abra las llaves de agua y verifique que no haya pérdidas.

PASO 5 Conectar la manguera de drenaje



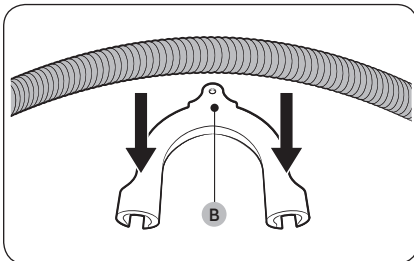
A un tambor de lavado o a una cañería de drenaje

- Verifique la **altura (A)** de su sistema de drenaje y asegúrese de que se cumplan las alturas mínimas y máximas.

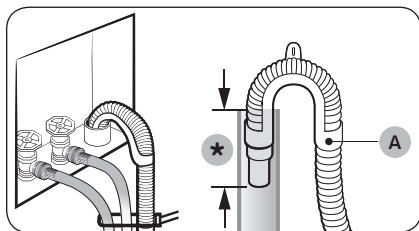
Mínimo	18 pulg. (46 cm)
Máximo	96 pulg. (245 cm)

NOTA

- Asegúrese de medir la altura desde el piso donde se apoya la lavadora.
- Es posible que la eficacia del drenaje sea menor si el sistema está a la altura máxima.
- Para evitar el trasvase de agua de la lavadora, no utilice un sistema de drenaje cuya altura sea inferior a la mínima indicada.



- Coloque la manguera de drenaje en la **guía de plástico para la manguera (B)**.



(*): Mín. 6 pulg. (152 mm), Máx. 8 pulg. (203 mm)

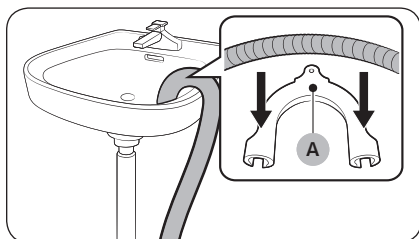
3. Dirija la manguera de drenaje hacia el sistema de drenaje.

⚠ PRECAUCIÓN

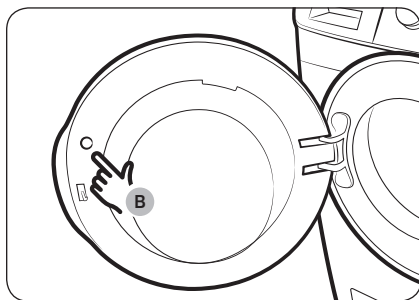
- En caso de utilizar una toma de agua, asegúrese de que la conexión de la toma de agua y la manguera de drenaje no esté hermetizada.
 - Si utiliza una toma de agua, asegúrese de que la manguera de drenaje esté entre 6 pulgadas (152 mm) y 8 pulgadas (203 mm) dentro de la toma de agua.
4. Fije la manguera de drenaje con sujetacables.

Sobre el borde de un lavamanos

La manguera de drenaje debe colocarse a una altura entre 24 pulgadas (60 cm) y 35 pulgadas (90 cm) del piso. Para mantener doblado el extremo de salida de la manguera, utilice la **guía de plástico para la manguera (A)** suministrada. Fije la guía a la pared con un gancho para asegurar la estabilidad durante el drenaje.



PASO 6 Retirar la protección de la puerta



Retire el **pequeño círculo protector (B)** arriba de la traba de la puerta antes de usar la lavadora.

PASO 7 Encendido

Enchufe el cable de alimentación a un tomacorriente de 120 V CA / 60 Hz / 15 AMP aprobado y protegido por un disyuntor o fusible. Luego, presione **Encender/Apagar** para encender la lavadora.



Antes de comenzar

Configuración inicial

Ejecutar la calibración (recomendado)

La Calibración asegura que la lavadora detecte el peso con precisión. Asegúrese de que el tambor esté vacío antes de ejecutar la Calibración.

1. Presione **Encender/Apagar** para poner en funcionamiento la lavadora.
2. Mantenga presionados simultáneamente **Temp. (Temperatura)** y **Delay End (Final diferido)** durante 3 segundos.
3. Mantenga presionado **Inicio/Pausa (Hold To Start (Presione para Inicio))** para iniciar la calibración.
 - La puerta permanece bloqueada durante el funcionamiento.
 - El tambor sigue girando hacia la derecha y hacia la izquierda durante varios minutos.
4. Cuando finaliza, la lavadora se apaga automáticamente.

Pautas de lavado

PASO 1 Clasificar

Clasifique las prendas de acuerdo con los siguientes criterios:

- Etiqueta de indicaciones: Clasifique la ropa según su composición: algodón, mezclas, sintética, seda, lana y rayón.
- Color: Separe la ropa blanca de la de color.
- Tamaño: Mezclar prendas de distintos tamaños en el tambor mejora el desempeño del lavado.
- Sensibilidad: Lave las prendas delicadas por separado. Para las prendas nuevas de lana pura, cortinas y prendas de seda, verifique las etiquetas de las prendas.

NOTA

Antes de iniciar el lavado, lea las etiquetas de cuidado de la ropa y clasifique los artículos en consecuencia.

PASO 2 Vaciar los bolsillos

Vacíe los bolsillos de todas las prendas.

- Los objetos metálicos como monedas, clips y hebillas pueden dañar las otras prendas y el tambor.

Dé vuelta las prendas con botones o bordados

- Si los cierres de los pantalones o las chaquetas están abiertos durante el lavado, el tambor puede dañarse. Los cierres deben cerrarse y ajustarse con un cordón.
- Las prendas con cordones largos pueden enredarse con otras prendas. Asegúrese de sujetar los cordones antes de comenzar el lavado.



PASO 3 Utilizar una red para ropa

- Los sostenes (lavables con agua) se deben colocar dentro de una red para ropa. Las partes metálicas de los sostenes pueden atravesar la tela y dañar otras prendas.
- Las prendas pequeñas y livianas como las medias, los guantes, las medias de nylon y los pañuelos pueden trabarse en la puerta. Colóquelas dentro de una red para ropa.
- No lave la red sin ropa dentro de ella. Se podrían producir vibraciones anormales que podrían desplazar la lavadora y causar lesiones personales.

PASO 4 Calcular la capacidad de carga

No sobrecargue la lavadora. Si sobrecarga la lavadora, la ropa puede no lavarse correctamente.

NOTA

Cuando se lave ropa de cama o cobertores, el tiempo de lavado se puede alargar o la eficacia del centrifugado puede reducirse.

Para ropa de cama o cobertores, el nivel máximo de centrifugado recomendado es el Nivel 2 o Nivel 3 y la capacidad de carga es de 7 lb (3.0 kg) o menos.

PRECAUCIÓN

Si la carga está desequilibrada y el código de información "UB" se muestra en la pantalla, redistribuya la carga. Una carga desequilibrada puede disminuir el desempeño del centrifugado.

PASO 5 Agregar el tipo de detergente adecuado

El tipo de detergente a utilizar (para uso general, específico para lana, etc.) depende del tipo de tejido (algodón, sintético, prendas delicadas, lana), el color, la temperatura de lavado y el nivel de suciedad. Independientemente del tipo específico de detergente que utilice, siempre debe ser de alta eficacia (HE) y "baja espuma", diseñado para las lavadoras automáticas.

NOTA

- Siga las recomendaciones del fabricante del detergente en función del peso de la ropa, el grado de suciedad y la dureza del agua en su zona. Si desconoce la dureza del agua de su zona, comuníquese con las autoridades locales.
- No utilice un detergente que tenga tendencia a endurecerse o solidificarse. Este detergente puede permanecer durante el ciclo de enjuague y bloquear la salida de drenaje.

PRECAUCIÓN

Cuando lave prendas de lana con el ciclo WOOL (LANA), utilice exclusivamente un detergente líquido neutro. El detergente en polvo utilizado con el ciclo WOOL (LANA) puede permanecer sobre las prendas y decolorarlas.

Antes de comenzar

Utilice solo detergente de alta eficacia (HE)



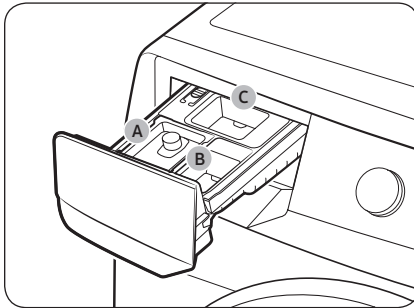
Para obtener un lavado de óptima calidad, use un detergente de alta eficacia, por ejemplo: Tide HE, Wisk HE, Cheer HE o Gain HE*. Los detergentes de alta eficacia contienen supresores que reducen o eliminan la espuma. Cuando se produce menos espuma, la carga se mueve con mayor eficacia y el lavado se maximiza. (* Los nombres de las marcas son marcas comerciales de sus respectivos fabricantes).

⚠ ADVERTENCIA

Para obtener los mejores resultados, solo use detergentes de alta eficacia (HE). No utilice detergentes de baja eficacia, orgánicos, naturales ni de alta eficacia con ingredientes naturales (como vinagre o bicarbonato).

Pautas para el cajón para detergente

La lavadora tiene un dispensador con tres compartimientos: el delantero izquierdo para el lavado principal, el delantero derecho para el suavizante y el trasero derecho para el blanqueador líquido.

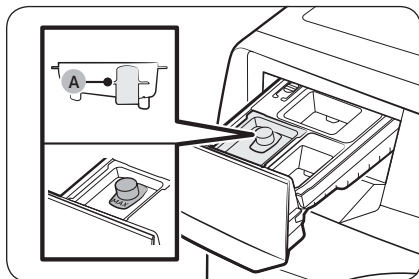


- A. Compartimiento para el lavado principal:** Agregue detergente para lavado principal, ablandador de agua, detergente para remojo, protector para ropa de color y/o productos quitamanchas.
- B. Compartimiento para el suavizante:** Agregue suavizante de telas. No sobrepase la **línea máxima**.
- C. Compartimiento para el blanqueador:** Agregue blanqueador líquido. No sobrepase la **línea máxima**.

⚠ PRECAUCIÓN

- No abra el cajón para detergente mientras la lavadora se encuentra en funcionamiento.
- No coloque detergente en pastillas o cápsulas en el cajón para detergente. Colóquelas directamente dentro del tambor.
- No utilice detergentes tipo bola.
- Para impedir que el compartimiento se obstruya, diluya los productos concentrados o muy densos (suavizantes o detergentes) en agua antes de agregarlos.

Para agregar productos de lavado en el cajón para detergente



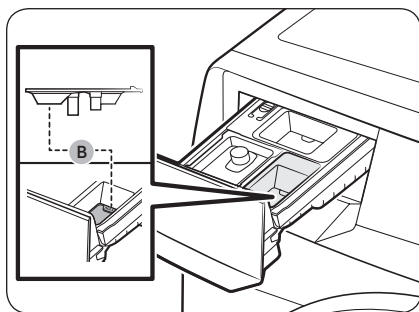
1. Abra el cajón para detergente.
2. Agregue detergente líquido en el contenedor correspondiente del compartimiento para el lavado principal.

⚠ PRECAUCIÓN

- Asegúrese de que el contenedor para detergente esté insertado en el compartimiento para el lavado principal.
- No sobrepase la **línea máxima (A)** marcada.

📖 NOTA

- No agregue detergente en polvo ni otros productos de lavado en polvo al contenedor para detergente líquido.
- Para utilizar detergente en polvo, consulte la página 31.

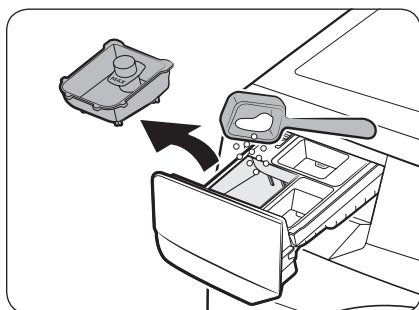


3. Agregue suavizante en el **compartimento para el suavizante**. No sobrepase la **línea máxima (B)**.

⚠ PRECAUCIÓN

- No se recomienda el suavizante en polvo. Utilice solo suavizante líquido.
 - Antes de agregar suavizante concentrado, es necesario diluirlo.
 - No agregue detergente para lavado principal en el **compartimento para el suavizante**.
4. Cierre el cajón para detergente.

Para utilizar detergente en polvo



Primero retire el contenedor para detergente líquido provisto del **compartimento para el lavado principal**. Luego, agregue detergente en polvo en el **compartimento para el lavado principal** siguiendo las instrucciones del fabricante de detergente.

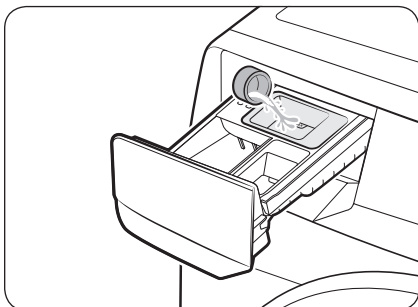
⚠ PRECAUCIÓN

No agregue detergente en polvo en el contenedor para detergente líquido.



Antes de comenzar

Para utilizar el compartimiento para el blanqueador

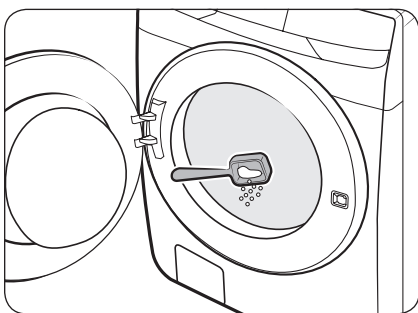


Agregue solo blanqueador líquido con cloro en el **compartimiento para blanqueador**. No sobrepase la **línea máxima**.

PRECAUCIÓN

No agregue un blanqueador líquido que contenga cloro sin diluir directamente sobre la carga o dentro del tambor. Se trata de un químico potente y, si no se usa correctamente, puede ser perjudicial para la tela, por ejemplo desgastando las fibras o causando decoloración.

Para utilizar potenciador de lavado o blanqueador con protección para ropa de color



Los potenciadores de lavado o blanqueadores con protección para ropa de color pueden mejorar el desempeño del lavado. Asegúrese de agregar el potenciador de lavado o el blanqueador con protección para ropa de color después de colocar la ropa en el tambor.

NOTA

Para usar detergente en polvo y potenciador de lavado o blanqueador con protección para ropa de color, resulta más efectivo colocarlos juntos en el tambor antes de cargar la ropa.

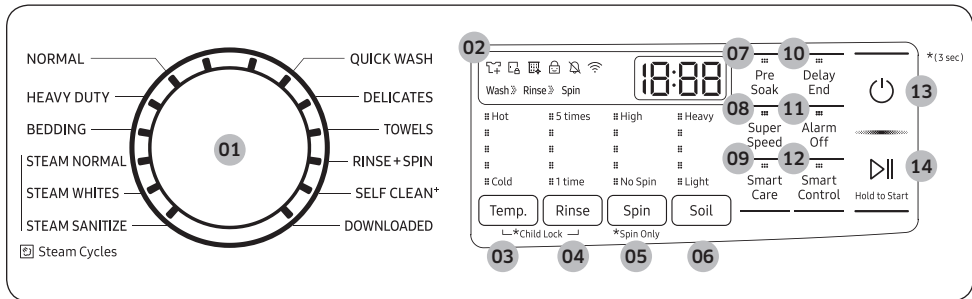


Funcionamiento

⚠ ADVERTENCIA


Para reducir el riesgo de incendio, descarga eléctrica o lesiones personales, lea la Información de seguridad antes de poner en funcionamiento el electrodoméstico.

Panel de control









01 Selector de ciclos	Gire el disco para seleccionar un ciclo. (Para obtener más información sobre los ciclos de lavado, consulte la página 37.)
02 Display	El display muestra información y tiempo restante del ciclo que se está ejecutando, o un código de información si la lavadora necesita revisión.
03 Temp. (Temperatura)	<p>Presione para cambiar la temperatura del ciclo que se está ejecutando.</p> <ul style="list-style-type: none"> • Hot (Caliente) (Nivel 5): Prendas muy sucias y que no destiñen. • (Nivel 4): Ropa blanca y prendas muy sucias de colores sólidos. • (Nivel 3): Prendas que no destiñen. • (Nivel 2): Prendas de colores vivos, ligeramente sucias. • Cold (Fría) (Nivel 1): Usa solo agua fría sin utilizar el calentador de la lavadora. No se suministra agua tibia.
04 Rinse (Enjuagar)	<p>Presione para cambiar el número de enjuagues del ciclo que se está ejecutando.</p> <ul style="list-style-type: none"> • Puede seleccionar de 1 a 5 enjuagues.

Funcionamiento

<p>05 Spin (Centrifugar)</p>	<p>Presione para cambiar la velocidad de centrifugado del ciclo que se está ejecutando.</p> <ul style="list-style-type: none"> • High (Alta) (Nivel 5): Extiende el proceso de centrifugado para eliminar con eficacia la humedad de la carga. Este nivel utiliza un proceso de centrifugado más fuerte que elimina la humedad, por lo que no es adecuado para telas sin arrugas y que no necesitan planchado ni para sobrecargas. • (Nivel 4): Ropa interior, camisetas, jeans y algodones resistentes. • (Nivel 3): Jeans, prendas sin arrugas o que no necesitan planchado y telas sintéticas. • (Nivel 2): Prendas delicadas que necesitan una velocidad baja de centrifugado. • No Spin (Sin centrifugado) (Nivel 1): El tambor no centrifuga después del proceso de drenaje final. <p>Enjuague en espera (Todos los indicadores apagados): El proceso de enjuague final se interrumpe para que la carga permanezca en el agua. Para sacar la ropa, ejecute el proceso de drenaje o de centrifugado.</p> <p> NOTA</p> <p>Spin Only (Solo centrifugado): Para realizar solo el proceso de centrifugado, mantenga presionado Spin (Centrifugar) durante 3 segundos. Con el tiempo del ciclo en el display, presione Spin (Centrifugar) repetidamente hasta que se seleccione la velocidad de centrifugado deseada. Luego, mantenga presionado Inicio/Pausa (Hold To Start (Presione para Inicio)) para iniciar el ciclo.</p>
<p>06 Soil (Suciedad)</p>	<p>Presione para cambiar el nivel de suciedad del ciclo actual.</p> <ul style="list-style-type: none"> • Heavy (Muy sucia) (Nivel 5): Para prendas extremadamente sucias. • (Nivel 4): Para prendas muy sucias. • (Nivel 3): Para prendas moderadamente sucias. Esta opción es la mejor para la mayoría de las cargas. • (Nivel 2): Para prendas ligeramente sucias. • Light (Poco sucia) (Nivel 1): Para prendas apenas sucias.
<p>07 Pre Soak (Prerremojado)</p>	<p>Presione para agregar 30 minutos de tiempo de remojo al inicio del ciclo de lavado para una mejor remoción de manchas.</p>
<p>08 Super Speed (Supervelocidad)</p>	<p>Presione este botón si necesita acortar el tiempo de lavado, aplicable a NORMAL, HEAVY DUTY (CARGA PESADA), BEDDING (ROPA DE CAMA) o STEAM WHITES (VAP. BLANCOS). El tiempo acortado puede variar dependiendo de la selección de ciclo/carga/opciones.</p>
<p>09 Smart Care</p>	<p>Esta función permite verificar el estado de la lavadora con un teléfono inteligente.</p>
<p>10 Delay End (Final diferido)</p>	<p>Configure la lavadora para que finalice el lavado automáticamente en otro momento. Puede elegir un tiempo de retardo de entre 1 y 24 horas (en incrementos de 1 hora). (Para obtener más información sobre la función Final diferido, consulte la página 41.)</p>

11 Alarm Off (Alarma apagada)	Presione para encender o apagar la alarma. Cuando la alarma está apagada, la melodía de finalización de ciclo y el pitido de apagado no suenan. No obstante, los sonidos de los botones y alertas seguirán encendidos.
12 Smart Control	Después de conectar la lavadora a la red doméstica mediante la aplicación SmartThings, puede controlar la lavadora de forma remota. Cuando se inicia, el indicador de Smart Control parpadea y la puerta frontal se cierra. La lavadora entra en modo de espera para los comandos remotos. (Para obtener más información sobre Smart Control, visite la página de la aplicación SmartThings).
13 Encender/Apagar	Presione para encender o apagar la lavadora.
14 Inicio/Pausa (Hold To Start (Presione para Inicio))	Mantenga presionado para iniciar el funcionamiento o presione para detenerlo temporalmente.

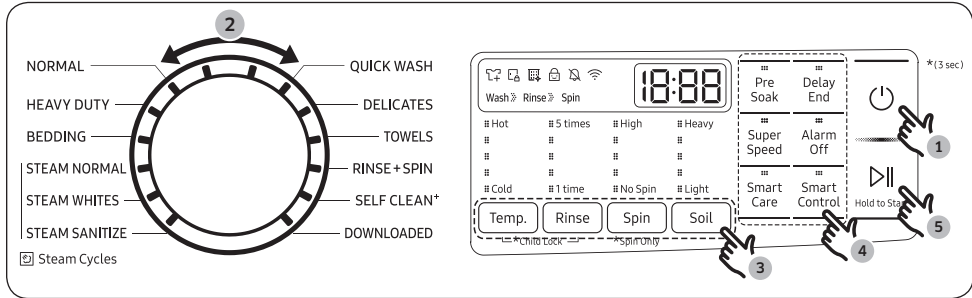
Descripción de íconos

	Más prendas	<ul style="list-style-type: none"> Este ícono indica que puede agregar o quitar prendas luego de que un ciclo ha comenzado. Para agregar o quitar prendas, presione Inicio/Pausa (Hold To Start (Presione para Inicio)) para pausar el ciclo y, luego, abra la puerta. Para reanudar el ciclo, cierre la puerta y, luego, mantenga presionado Inicio/Pausa (Hold To Start (Presione para Inicio)).
	Seguro de puerta	<ul style="list-style-type: none"> Este ícono indica que la puerta está trabada y no puede abrirse. La puerta se traba automáticamente durante un ciclo y se enciende este indicador. Cuando este ícono desaparece, puede abrir la puerta.
	Recordatorio de AUTOLIMPIEZA ⁺	<ul style="list-style-type: none"> Este ícono indica que se debe limpiar el tambor con el ciclo SELF CLEAN (AUTOLIMPIEZA)⁺. Este ícono aparece durante una hora cada 40 ciclos y luego se apaga automáticamente. Este ícono aparecerá durante 5 ciclos, se apagará, y no volverá a aparecer hasta completados otros 40 ciclos.
	Seguro para niños	<ul style="list-style-type: none"> Este ícono indica que la función Seguro para niños está activada. (Para obtener más información sobre la función Seguro para niños, consulte la página 42).
	Alarma apagada	<ul style="list-style-type: none"> Este ícono indica que la alarma está apagada. (Para obtener más información sobre la función Alarma apagada, consulte la página 42).
	Wi-Fi	<ul style="list-style-type: none"> Este ícono indica que la lavadora está conectada a una Wi-Fi.

Funcionamiento

Español

Sencillos pasos para comenzar



1. Presione **Encender/Apagar** para poner en funcionamiento la lavadora.
2. Gire el **selector de ciclos** para seleccionar el ciclo deseado.
3. Cambie los ajustes del ciclo (**Temp. (Temperatura)**, **Rinse (Enjuagar)**, **Spin (Centrifugar)** y **Soil (Suciedad)**) según sea necesario.
4. Seleccione las opciones deseadas según sea necesario.
5. Mantenga presionado **Inicio/Pausa (Hold To Start (Presione para Inicio))**.

Para cambiar el ciclo durante el funcionamiento

1. Presione **Inicio/Pausa (Hold To Start (Presione para Inicio))** para detener el funcionamiento.
2. Seleccione otro ciclo.
3. Mantenga presionado **Inicio/Pausa (Hold To Start (Presione para Inicio))** nuevamente para iniciar el nuevo ciclo.

⚠ ADVERTENCIA

No coloque ningún objeto en la parte superior de la lavadora cuando esté en funcionamiento.

Descripción de los ciclos

NOTA

La lavadora detecta el peso de las prendas y ajusta automáticamente el nivel óptimo de agua, tiempo de lavado, cantidad de enjuagues y duración del centrifugado. (Puede no aplicarse a algunos ciclos).

Ciclo	Descripción
NORMAL	<ul style="list-style-type: none"> Para ropa de algodón, de cama y de mesa, ropa interior, toallas o camisas. La duración del lavado y el número de enjuagues se ajustan automáticamente de acuerdo con la carga.
HEAVY DUTY (CARGA PESADA)	<ul style="list-style-type: none"> Para telas resistentes de colores sólidos y prendas muy sucias.
BEDDING (ROPA DE CAMA)	<ul style="list-style-type: none"> Para prendas voluminosas como edredones, cobijas y sábanas. Para obtener mejores resultados, lave solo un tipo de ropa de cama. Para prendas voluminosas, use detergente líquido y no enrolle las prendas en el tambor ya que pueden atascarse.
STEAM NORMAL (VAPOR NORMAL)	<ul style="list-style-type: none"> Para lavar prendas de uso diario con vapor.
STEAM WHITES (VAP. BLANCOS)	<ul style="list-style-type: none"> Para prendas blancas. Se puede lavar con o sin blanqueador.
STEAM SANITIZE (DESIN. VAPOR)	<ul style="list-style-type: none"> Para telas que no destiñen y prendas muy sucias, este ciclo calienta el agua a más de 60 °C para una limpieza profunda. Si detiene el ciclo mientras la lavadora está calentando el agua, la puerta permanecerá trabada para su seguridad.
QUICK WASH (LAVADO RÁPIDO)	<ul style="list-style-type: none"> Para prendas ligeramente sucias que desea que se laven rápidamente. Para un mejor rendimiento, se recomienda una carga de 4 lb (2.0 kg) o menos.
DELICATES (DELICADAS)	<ul style="list-style-type: none"> Para telas finas, sostenes, lencería (seda) y otras telas que deben lavarse únicamente a mano. Para obtener mejor desempeño, use detergente líquido.
TOWELS (TOALLAS)	<ul style="list-style-type: none"> Para toallas de baño, toallas pequeñas y alfombrillas.
RINSE+SPIN (ENJUAGAR+CENTRIFUGAR)	<ul style="list-style-type: none"> Efectúa un ciclo de enjuague adicional después de agregar suavizante de telas a la ropa.
SELF CLEAN (AUTOLIMPIEZA)⁺	<ul style="list-style-type: none"> Limpiamos el tambor al eliminar la suciedad y las bacterias presentes. Ejécutele una vez cada 40 lavados. Asegúrese de que el tambor esté vacío.



Funcionamiento

Ciclo	Descripción
DOWNLOADED (DESCARGADO)	<ul style="list-style-type: none">• Seleccione para elegir más ciclos disponibles en la aplicación SmartThings desde su teléfono inteligente.• Ciclos disponibles: ACTIVEWEAR (ROPA DEPORTIVA), STEAM ALLERGEN (VAPOR ALÉRG.), WOOL (LANA), ECO COLD (ECO FRÍA), POWER STEAM (VAPOR POTENTE), STEAM BULKY (VAP. ROPA VOLUMINOSA), OUTDOOR (ROPA IMPERMEABLE), DENIM (JEANS), PERM PRESS (PLANCHA PERM), COLORS (COLORES), POWER RINSE (ENJU. ENÉRG.).• Configuración de fábrica: ACTIVEWEAR (ROPA DEPORTIVA)



Tabla de ciclos

Use esta tabla para configurar el mejor ciclo y las opciones para su lavadora.

NOTA

Ajuste	Temp. (Temperatura)	Rinse (Enjuagar)	Spin (Centrifugar)	Soil (Suciedad)
● : configuración de fábrica	5: Hot (Caliente) (Nivel 5)	5: 5 veces (Nivel 5)	5: High (Alta) (Nivel 5)	5: Heavy (Muy sucia) (Nivel 5)
○ : se puede seleccionar	4: (Nivel 4)	4: (Nivel 4)	4: (Nivel 4)	4: (Nivel 4)
	3: (Nivel 3)	3: (Nivel 3)	3: (Nivel 3)	3: (Nivel 3)
	2: (Nivel 2)	2: (Nivel 2)	2: (Nivel 2)	2: (Nivel 2)
	1: Cold (Fría) (Nivel 1)	1: 1 vez (Nivel 1)	1: No Spin (Sin centrifugado) (Nivel 1)	1: Light (Poco sucia) (Nivel 1)
		0: 0 vez	0: Sin drenaje	

Ciclo	Funciones										
	Temp. (Temperatura)					Rinse (Enjuagar)					
	5	4	3	2	1	5	4	3	2	1	0
NORMAL	○	○	●	○	○	○	○	○	●	○	○
HEAVY DUTY (CARGA PESADA)	○	●	○	○	○	○	○	○	●	○	○
BEDDING (ROPA DE CAMA)			●	○	○	○	○	○	●	○	○
STEAM NORMAL (VAPOR NORMAL)		●				○	○	○	●	○	○
STEAM WHITES (VAP. BLANCOS)		●				○	○	○	●	○	○
STEAM SANITIZE (DESIN. VAPOR)	●					○	○	○	●	○	○
RINSE+SPIN (ENJUAGAR+CENTRIFUGAR)						○	○	○	○	●	○
TOWELS (TOALLAS)		○	●	○	○	○	○	○	●	○	○
DELICATES (DELICADAS)			○	○	●			○	●	○	○
QUICK WASH (LAVADO RÁPIDO)		○	●	○	○	○	○	○	○	●	○
SELF CLEAN (AUTOLIMPIEZA) ⁺	●								●		

Funcionamiento

Español

Ciclo	Funciones										
	Spin (Centrifugar)						Soil (Suciedad)				
	5	4	3	2	1	0	5	4	3	2	1
NORMAL	<input type="radio"/>	<input checked="" type="radio"/>	<input type="radio"/>	<input type="checkbox"/>	<input type="radio"/>	<input type="radio"/>	<input type="radio"/>	<input type="radio"/>	<input checked="" type="radio"/>	<input type="radio"/>	<input type="radio"/>
HEAVY DUTY (CARGA PESADA)	<input checked="" type="radio"/>	<input type="radio"/>	<input type="radio"/>	<input type="radio"/>	<input type="radio"/>	<input type="radio"/>	<input checked="" type="radio"/>	<input type="radio"/>	<input type="radio"/>	<input type="radio"/>	<input type="radio"/>
BEDDING (ROPA DE CAMA)	<input type="checkbox"/>	<input type="checkbox"/>	<input type="radio"/>	<input checked="" type="radio"/>	<input type="radio"/>	<input type="radio"/>	<input type="radio"/>	<input type="radio"/>	<input checked="" type="radio"/>	<input type="radio"/>	<input type="radio"/>
STEAM NORMAL (VAPOR NORMAL)	<input type="radio"/>	<input checked="" type="radio"/>	<input type="radio"/>	<input type="radio"/>	<input type="radio"/>	<input type="radio"/>	<input type="radio"/>	<input type="radio"/>	<input checked="" type="radio"/>	<input type="radio"/>	<input type="radio"/>
STEAM WHITES (VAP. BLANCOS)	<input type="radio"/>	<input checked="" type="radio"/>	<input type="radio"/>	<input type="radio"/>	<input type="radio"/>	<input type="radio"/>	<input type="radio"/>	<input type="radio"/>	<input checked="" type="radio"/>	<input type="radio"/>	<input type="radio"/>
STEAM SANITIZE (DESIN. VAPOR)	<input type="radio"/>	<input checked="" type="radio"/>	<input type="radio"/>	<input type="radio"/>	<input type="radio"/>	<input type="radio"/>	<input type="radio"/>	<input type="radio"/>	<input checked="" type="radio"/>	<input type="radio"/>	<input type="radio"/>
RINSE+SPIN (ENJUAGAR+CENTRIFUGAR)	<input type="radio"/>	<input checked="" type="radio"/>	<input type="radio"/>	<input type="radio"/>	<input type="radio"/>	<input type="radio"/>	<input type="checkbox"/>	<input type="checkbox"/>	<input type="checkbox"/>	<input type="checkbox"/>	<input type="checkbox"/>
TOWELS (TOALLAS)	<input type="radio"/>	<input checked="" type="radio"/>	<input type="radio"/>	<input type="radio"/>	<input type="radio"/>	<input type="radio"/>	<input type="radio"/>	<input type="radio"/>	<input checked="" type="radio"/>	<input type="radio"/>	<input type="radio"/>
DELICATES (DELICADAS)	<input type="checkbox"/>	<input type="checkbox"/>	<input checked="" type="radio"/>	<input type="radio"/>	<input type="radio"/>	<input type="radio"/>	<input type="radio"/>	<input type="radio"/>	<input checked="" type="radio"/>	<input type="radio"/>	<input type="radio"/>
QUICK WASH (LAVADO RÁPIDO)	<input checked="" type="radio"/>	<input type="radio"/>	<input type="radio"/>	<input type="radio"/>	<input type="radio"/>	<input type="radio"/>	<input type="radio"/>	<input type="radio"/>	<input type="radio"/>	<input type="radio"/>	<input checked="" type="radio"/>
SELF CLEAN (AUTOLIMPIEZA) ⁺	<input checked="" type="radio"/>	<input type="checkbox"/>	<input type="checkbox"/>	<input type="checkbox"/>	<input type="checkbox"/>	<input type="checkbox"/>	<input type="checkbox"/>	<input type="checkbox"/>	<input type="checkbox"/>	<input type="checkbox"/>	<input type="checkbox"/>

Ciclo	Opciones	
	Super Speed (Supervelocidad)	Pre Soak (Prerremojo)
NORMAL	<input type="radio"/>	<input type="radio"/>
HEAVY DUTY (CARGA PESADA)	<input type="radio"/>	<input type="radio"/>
BEDDING (ROPA DE CAMA)	<input type="radio"/>	<input type="radio"/>
STEAM NORMAL (VAPOR NORMAL)	<input type="checkbox"/>	<input type="radio"/>
STEAM WHITES (VAP. BLANCOS)	<input type="radio"/>	<input type="radio"/>
STEAM SANITIZE (DESIN. VAPOR)	<input type="checkbox"/>	<input type="radio"/>
RINSE+SPIN (ENJUAGAR+CENTRIFUGAR)	<input type="checkbox"/>	<input type="checkbox"/>
TOWELS (TOALLAS)	<input type="checkbox"/>	<input type="radio"/>
DELICATES (DELICADAS)	<input type="checkbox"/>	<input type="checkbox"/>
QUICK WASH (LAVADO RÁPIDO)	<input type="checkbox"/>	<input type="checkbox"/>
SELF CLEAN ⁺	<input type="checkbox"/>	<input type="checkbox"/>

Funciones especiales

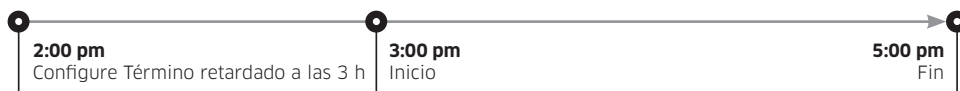
Final diferido

Puede hacer que la lavadora finalice automáticamente el lavado más tarde al seleccionar un tiempo de retardo de entre 1 y 24 horas (en incrementos de 1 hora). La pantalla indica la hora a la que finalizará el lavado.

1. Seleccione un ciclo. Luego, cambie los ajustes del ciclo si es necesario.
2. Presione **Delay End (Final diferido)** repetidamente hasta establecer la hora de finalización deseada.
3. Mantenga presionado **Inicio/Pausa (Hold To Start (Presione para Inicio))**.
4. Para cancelar Final diferido, reinicie la lavadora presionando **Encender/Apagar**.

Ejemplo

Desea que un ciclo que dura 2 horas finalice dentro de 3 horas. Para ello, agregue la opción Final diferido al ciclo que se está ejecutando con un ajuste de 3 horas y, luego, mantenga presionado **Inicio/Pausa (Hold To Start (Presione para Inicio))** a las 2:00 p.m. La lavadora comienza a funcionar a las 3:00 p.m. y se detiene a las 5:00 p.m. A continuación se proporcionan los tiempos para este ejemplo.



ATC (control automático de la temperatura)

La función ATC permite a la lavadora controlar la temperatura del agua en cada ciclo de lavado mediante el termistor interno. Está diseñada para mantener ciertas temperaturas de lavado a fin de obtener los mejores resultados.

NOTA

- Si selecciona **NORMAL** o **HEAVY DUTY (CARGA PESADA)**, es posible que advierta que la lavadora suministra agua fría. Esto es normal, ya que la máquina está diseñada para reducir el consumo energético. En dichos ciclos, la temperatura del agua para el Nivel 5 es similar a una temperatura de agua de ducha y el Nivel 3 es similar a la temperatura agradable de una piscina.
- Para lavar prendas a una temperatura específica, primero debe elegir un ciclo diferente.

Funcionamiento

Seguro para niños

La función Seguro para niños traba la puerta de la lavadora a fin de evitar que los niños ingresen al tambor y se asfixien.

Para activar el Seguro para niños

- Mantenga presionados los botones **Temp. (Temperatura)** y **Rinse (Enjuagar)** durante 3 segundos. Luego, mantenga presionado **Inicio/Pausa (Hold To Start (Presione para Inicio))** para activar la función. Se traba la puerta y se enciende el indicador de la función Seguro para niños.

Para desactivar Seguro para niños temporalmente

- Puede desactivar Seguro para niños temporalmente durante 1 minuto. Para ello, mantenga presionados los botones **Temp. (Temperatura)** y **Rinse (Enjuagar)** durante 3 segundos. La puerta se desbloquea durante 1 minuto y el indicador Seguro para niños parpadea.

NOTA

- Si se abre la puerta 1 minuto después de desactivar la función Seguro para niños, suena una alarma durante 2 minutos.
- Si cierra la puerta antes de transcurrir los 2 minutos, esta se bloquea y el Seguro para niños se reactiva. Si no cierra la puerta o no se cierra correctamente, la alarma sigue sonando durante 2 minutos.
- Para agregar prendas después de activar la función Seguro para niños, desactive la función Seguro para niños o reinicie la lavadora.

Para cancelar el Seguro para niños

- Mantenga presionados los botones **Temp. (Temperatura)** y **Rinse (Enjuagar)** durante 6 segundos. Se desbloquea la puerta y se apaga el indicador de la función Seguro para niños.

Alarma apagada

Puede encender o apagar la alarma. Cuando la alarma está apagada, la melodía de finalización de ciclo y el pitido de apagado no suenan. Sin embargo, los demás sonidos permanecen activos.

- Presione **Alarm Off (Alarma apagada)** para encender o apagar la alarma.
- El ajuste se mantendrá, incluso después de apagar y reiniciar el electrodoméstico.

Ciclo DESCARGADO

Puede seleccionar más ciclos disponibles en la aplicación SmartThings de su teléfono inteligente.

1. Seleccione el ciclo **DOWNLOADED (DESCARGADO)** en su teléfono inteligente.
 - Puede elegir entre ACTIVEWEAR (ROPA DEPORTIVA), STEAM ALLERGEN (VAPOR ALÉRG.), WOOL (LANA), ECO COLD (ECO FRÍA), POWER STEAM (VAPOR POTENTE), STEAM BULKY (VAP. ROPA VOLUMINOSA), OUTDOOR (ROPA IMPERMEABLE), DENIM (JEANS), PERM PRESS (PLANCHA PERM), COLORS (COLORES), POWER RINSE (ENJU. ENÉRG.).
2. Presione **Encender/Apagar** en la lavadora.
3. Gire el **selector de ciclos** para seleccionar **DOWNLOADED (DESCARGADO)**.
4. Mantenga presionado **Inicio/Pausa (Hold To Start (Presione para Inicio))**.

SmartThings

Conexión Wi-Fi

En su teléfono inteligente, vaya a **Settings (Ajustes)**, active la conexión inalámbrica y seleccione un AP (Punto de acceso).

- Este electrodoméstico admite los protocolos Wi-Fi 2.4 GHz.

Descargas

En una tienda de aplicaciones (Google Play Store, Apple App Store, Samsung Galaxy Apps), busque la aplicación SmartThings con el término de búsqueda "SmartThings". Descargue e instale la aplicación en su dispositivo.

NOTA

La aplicación está sujeta a cambios sin previo aviso para mejorar el producto.

Inicio de sesión

En primer lugar, debe iniciar sesión en SmartThings con su cuenta Samsung. Para crear una nueva cuenta Samsung, siga las instrucciones de la aplicación. No necesita otra aplicación para crear su cuenta.

NOTA

Si tiene una cuenta Samsung, utilícela para iniciar sesión. Un usuario de teléfono inteligente Samsung registrado inicia sesión de manera automática.

Para registrar su electrodoméstico en SmartThings

1. Asegúrese de que su teléfono inteligente esté conectado a una red inalámbrica. De lo contrario, vaya a **Settings (Ajustes)**, active la conexión inalámbrica y seleccione un AP (Punto de acceso).
2. Abra **SmartThings** en su teléfono inteligente.
3. Si aparece el mensaje "**A new device is found. (Se encontró un nuevo dispositivo.)**", seleccione **Add (Agregar)**.
4. Si no aparece ningún mensaje, seleccione **+** y elija su electrodoméstico de una lista de dispositivos disponibles. Si su electrodoméstico no figura, seleccione **Device Type (Tipo de dispositivo) > Specific Device Model (Modelo de dispositivo específico)**, y luego agregue su electrodoméstico manualmente.
5. Registre su electrodoméstico en la aplicación SmartThings de la siguiente manera.
 - a. Agregue su electrodoméstico en SmartThings. Asegúrese de que su electrodoméstico esté conectado a SmartThings.
 - b. Al completar el registro, su electrodoméstico aparecerá en su teléfono inteligente.

Mantenimiento

Mantenga la lavadora limpia para lograr un mejor rendimiento y prolongar su vida útil.

ADVERTENCIA

Algunas piezas internas no están conectadas a tierra intencionalmente y pueden presentar riesgo de descarga eléctrica únicamente durante el servicio técnico. Personal del servicio técnico - No toque las siguientes piezas mientras el electrodoméstico está recibiendo electricidad: Panel de control, disipador térmico, motor, válvula de entrada y bomba.

AUTOLIMPIEZA⁺

Algunos usos y condiciones ambientales pueden producir cierta acumulación de residuos y olor en el tambor de la lavadora. Para evitar la acumulación de residuos u olores que produce bacterias y mantener el tambor de la lavadora limpio y fresco, ejecute el ciclo SELF CLEAN (AUTOLIMPIEZA)⁺ al menos una vez por mes o cada 40 ciclos. Cuando utilice el ciclo SELF CLEAN (AUTOLIMPIEZA)⁺, realice el siguiente procedimiento recomendado.

1. Retire todas las prendas del tambor de la lavadora y asegúrese de que quede vacío. Si deja prendas en el tambor durante el ciclo SELF CLEAN (AUTOLIMPIEZA)⁺, podrían dañarse.
2. Presione **Encender/Apagar** para poner en funcionamiento la lavadora.
3. Gire el **selector de ciclos** para seleccionar **SELF CLEAN (AUTOLIMPIEZA)⁺**.
4. Mantenga presionado **Inicio/Pausa (Hold To Start (Presione para Inicio))**.

NOTA

- La temperatura del agua del ciclo SELF CLEAN (AUTOLIMPIEZA)⁺ está configurada en Hot (Caliente) de manera predeterminada. Esta temperatura no se puede cambiar.
- En caso de que haya residuos en el tambor de la lavadora, agregue blanqueador líquido con cloro hasta la línea de nivel MAX del compartimiento para el lavado principal antes de iniciar el ciclo SELF CLEAN (AUTOLIMPIEZA)⁺. No agregue el blanqueador líquido con cloro en el compartimiento para el blanqueador (Únicamente en el caso del ciclo SELF CLEAN (AUTOLIMPIEZA)⁺).
- No sobrepase la línea máxima. No utilice ni mezcle ningún otro detergente o producto químico durante el ciclo SELF CLEAN (AUTOLIMPIEZA)⁺. De ser necesario, cuando finalice el ciclo SELF CLEAN (AUTOLIMPIEZA)⁺, ejecute un ciclo RINSE+SPIN (ENJUAGAR+CENTRIFUGAR) para ayudar a quitar el resto de los residuos.

PRECAUCIÓN

Si deja blanqueador con cloro en el tambor de la lavadora durante un período prolongado, se puede producir óxido.

Recordatorio de AUTOLIMPIEZA⁺

- Luego de 40 ciclos de lavado, el ícono de recordatorio LED de AUTOLIMPIEZA⁺ y el LED del ciclo SELF CLEAN (AUTOLIMPIEZA)⁺ titilarán en el panel de control durante una hora y, luego, se apagarán automáticamente.
- El recordatorio aparecerá en el panel de control durante 5 ciclos consecutivos adicionales antes de apagarse. El próximo recordatorio no aparecerá hasta que hayan pasado otros 40 ciclos.

Smart Care

Para activar esta función, primero debe descargar la aplicación Samsung Laundry de Play Store o App Store e instalarla en un dispositivo móvil que posea la función de cámara. La función Smart Care se ha optimizado para los dispositivos móviles Galaxy e iPhone (solo para los modelos aplicables).

1. Cuando la lavadora detecta un problema que requiere revisión, aparece un código de información en el display. Para ingresar al modo Smart Care, presione **Smart Care**.
2. La lavadora inicia el proceso de autodiagnóstico y muestra un código de información en caso de que detecte algún problema.
3. Ejecute la aplicación Samsung Laundry en su dispositivo móvil y, luego, toque **Smart Care**.
4. Coloque el dispositivo móvil cerca del display de la lavadora de manera que la cámara del teléfono inteligente quede frente a la lavadora. La aplicación reconocerá de forma automática el código de información.
5. Cuando el código de información se reconoce correctamente, la aplicación proporciona información detallada sobre el problema y las soluciones aplicables.



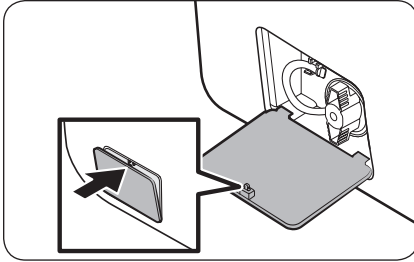
NOTA

- El nombre de la función, Smart Care, puede variar según el idioma.
- Si la pantalla de la lavadora refleja luz, es posible que la aplicación no reconozca el código de información.
- Si la aplicación no reconoce el código de información, puede ingresarlo manualmente en la aplicación.

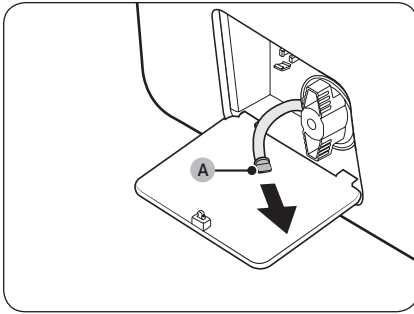
Mantenimiento

Drenaje de emergencia

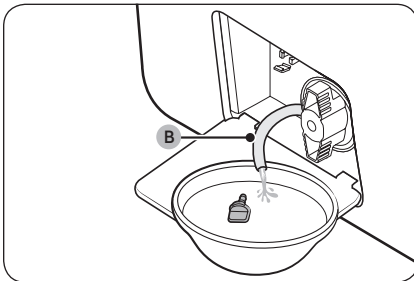
Si se produce una falla en el suministro eléctrico, vacíe el agua del tambor antes de retirar la ropa.



1. Apague la lavadora y, luego, desenchufe el cable de alimentación.
2. Presione suavemente la parte superior de la **tapa del filtro** para abrirla.



3. Coloque un recipiente grande y vacío debajo y extienda el **tubo de drenaje de emergencia** hacia el recipiente mientras sujeta el **tapón del tubo (A)**.



4. Abra el **tapón del tubo** y deje caer el agua del **tubo de drenaje de emergencia (B)** en el recipiente.
5. Al finalizar, cierre el **tapón del tubo** y vuelva a insertar el tubo. Luego, cierre la **tapa del filtro**.

NOTA

Use un recipiente grande, ya que el tambor puede contener más agua de la esperada.

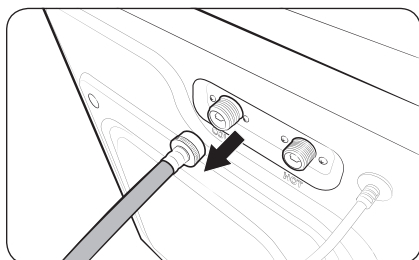
Limpieza

Superficie de la lavadora

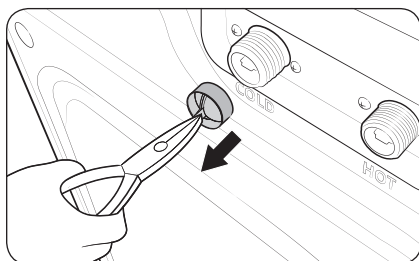
Use un paño suave y un limpiador doméstico que no sea abrasivo. No rocíe agua sobre la lavadora.

Filtro de malla

Limpie el filtro de malla de la manguera de agua una o dos veces por año.



1. Apague la lavadora y, luego, desenchufe el cable de alimentación.
2. Cierre la llave de agua.
3. Afloje y desconecte las mangueras de agua de la parte trasera de la lavadora. Cubra el extremo de cada manguera con un paño o toalla para evitar la fuga de agua.



4. Use unas pinzas para sacar el filtro de malla de las válvulas de entrada.
5. Limpie bien los filtros de malla con agua.
6. Seque los filtros por completo. No deje secar bajo la luz directa del sol.
7. Vuelva a colocar los filtros de malla y, luego, reconecte las mangueras.
8. Abra las llaves del agua.

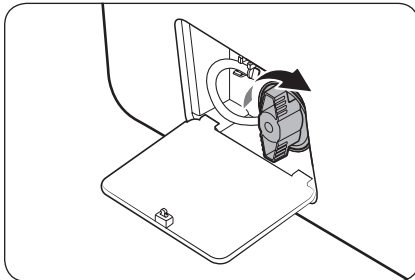
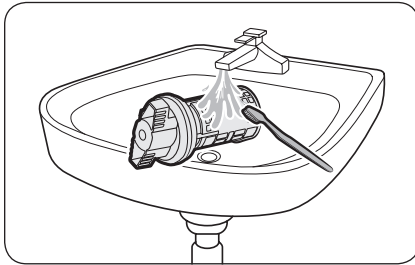
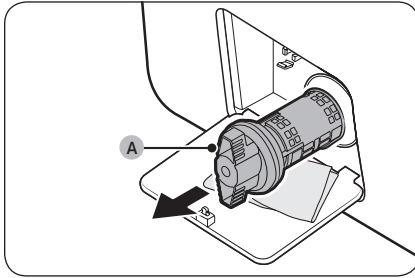
NOTA

Si el filtro de malla está obstruido, aparece el código de información "4C" en la pantalla de la lavadora.

Mantenimiento

Filtro de la bomba

Debe limpiar el filtro de la bomba 5 o 6 veces por año para evitar que se obstruya. Un filtro de bomba obstruido puede reducir el efecto de las burbujas.



1. Apague la lavadora y, luego, desenchufe el cable de alimentación.
2. Presione suavemente la parte superior de la **tapa del filtro** para abrirla.
3. Drene el agua restante del tambor. Consulte la sección **Drenaje de emergencia** en la página 46.
4. Gire la **perilla del filtro de la bomba (A)** en el sentido contrario al de las agujas del reloj y, luego, vacíe el agua restante.
5. Limpie el **filtro de la bomba** con un cepillo suave. Asegúrese de que no esté obstruida la bomba de drenaje dentro del filtro.
6. Vuelva a colocar el **filtro de la bomba** y, luego, gire la perilla del filtro en el sentido de las agujas del reloj.
7. Cierre la **tapa del filtro**.

NOTA

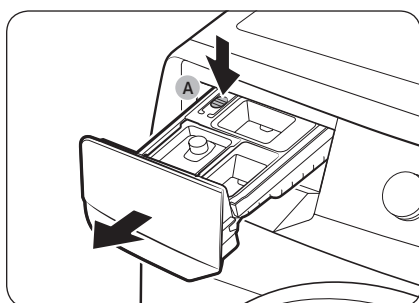
- Algunos filtros de bomba cuentan con una perilla de seguridad diseñada para evitar que los niños abran accidentalmente el compartimento del filtro. Para abrir la perilla de seguridad del **filtro de la bomba**, presiónela y gírela en el sentido contrario al de las agujas del reloj. El mecanismo de muelle de la perilla de seguridad ayuda a abrir el filtro.
- Antes de cerrar la **tapa del filtro**, asegúrese de que el **filtro de la bomba** esté bien colocado.

NOTA

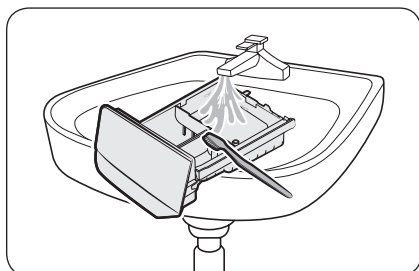
Si el filtro de la bomba está obstruido, aparece el código de información "5C" en la pantalla de la lavadora.

PRECAUCIÓN

- Asegúrese de cerrar bien la perilla del filtro luego de limpiarlo. De lo contrario, puede originar una fuga.
- Asegúrese de insertar correctamente el filtro luego de limpiarlo. De lo contrario, puede originar una falla en el funcionamiento o una fuga.

Cajón para detergente

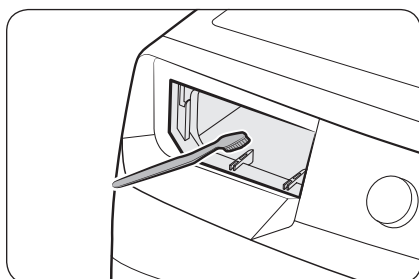
1. Abra el cajón.
2. Mientras presiona la **palanca de seguridad (A)**, abra el cajón.
3. Retire el **contenedor para detergente líquido** del cajón.



4. Limpie los componentes del cajón con agua corriente y un cepillo suave.

NOTA

Otras partes del cajón también se pueden retirar. Pueden caer si se voltea el cajón.



5. Limpie el hueco del cajón con un cepillo suave.
6. Vuelva a insertar el **contenedor para detergente líquido** en el cajón para detergente.
7. Deslice el cajón en el hueco y empuje hacia adentro hasta que cierre completamente.

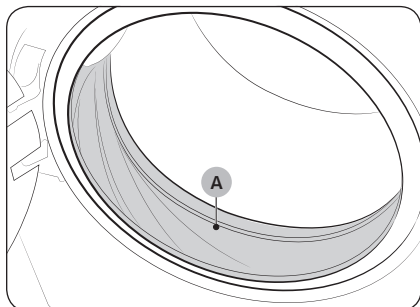
NOTA

Para eliminar el detergente restante, ejecute un ciclo **RINSE+SPIN (ENJUAGAR+CENTRIFUGAR)** con el tambor vacío.



Mantenimiento

Diafragma de la puerta



1. Abra la puerta y vacíe el tambor.
2. Mezcle 3/4 de taza de blanqueador líquido a base de cloro y 1 galón de agua tibia de la llave.
3. Póngase guantes de goma y limpie el diafragma con un paño limpio y suave mojado en la solución de agua y blanqueador.
4. Deje reposar durante 5 minutos y luego limpie y seque bien.

⚠ PRECAUCIÓN

Utilice con cuidado el blanqueador y asegúrese de seguir las instrucciones de uso y cuidado del fabricante.

Recuperación de un congelamiento

La lavadora puede congelarse cuando la temperatura del lugar cae por debajo de 32 °F (0 °C).

1. Apague la lavadora y, luego, desenchufe el cable de alimentación.
2. Vierta agua caliente sobre la llave para aflojar la manguera de suministro de agua.
3. Desconecte la manguera y luego sumérgala en agua tibia.
4. Vierta agua tibia en el tambor y déjela 10 minutos aproximadamente.
5. Vuelva a conectar la manguera a la llave del agua.

📖 NOTA

Si la lavadora sigue sin funcionar correctamente, repita los pasos anteriores.

Mantenimiento luego de un período prolongado sin utilizar la lavadora

Evite dejar la lavadora inactiva durante un período de tiempo prolongado. Si no la va a utilizar durante mucho tiempo, siga las instrucciones a continuación:

1. Presione el botón **Encender/Apagar** y, luego, gire el **selector de ciclos** hasta **RINSE+SPIN (ENJUAGAR+CENTRIFUGAR)**.
2. Vacíe el tambor y, luego, mantenga presionado **Inicio/Pausa (Hold To Start (Presione para Inicio))**.
3. Luego de completado el ciclo, cierre las llaves de agua y desconecte las mangueras de agua.
4. Apague la lavadora y, luego, desenchufe el cable de alimentación.
5. Abra la puerta para que el aire circule por el tambor.



Limpeza del exterior

1. Cierre las llaves del agua después de finalizar el lavado del día.
Esto cerrará el suministro de agua a la lavadora y evitará la improbable posibilidad de que se produzcan daños a causa de un derrame de agua. Deje la puerta abierta para permitir que el interior de la lavadora se seque.
2. Use un paño suave para limpiar todo el detergente, el blanqueador u otros derrames a medida que ocurran.
Limpie lo siguiente tal como se recomienda:
 - Panel de control – Limpie con un paño suave y húmedo. No use polvos abrasivos ni paños de limpieza. No rocíe el panel directamente con limpiadores en aerosol.
 - Gabinete: lave con agua y jabón.

Limpeza del interior

Limpie el interior de la lavadora periódicamente para eliminar todo vestigio de suciedad, polvo, olor, moho, hongos o bacterias que pueda permanecer en la lavadora como consecuencia del lavado de ropa.

PRECAUCIÓN

El incumplimiento de estas instrucciones puede dar como resultado situaciones poco satisfactorias, tales como olor y/o manchas permanentes en la lavadora o en las prendas.

NOTA

Se pueden retirar los depósitos de agua dura si fuera necesario. Use un limpiador que en el rótulo indique que es seguro para lavadoras.

Solución de problemas

Verificaciones

Si tiene algún problema con la lavadora, primero consulte la tabla siguiente y pruebe las sugerencias.

Problema	Acción
No se inicia.	<ul style="list-style-type: none">• Asegúrese de que la lavadora esté enchufada.• Asegúrese de que la puerta esté perfectamente cerrada.• Asegúrese de que las llaves del agua estén abiertas.• Asegúrese de presionar o tocar Inicio/Pausa (Hold To Start (Presione para Inicio)) para iniciar el funcionamiento de la lavadora.• Asegúrese de que Seguro para niños no esté activado.• Antes de que la lavadora comience a llenarse, se oirá una serie de sonidos semejantes a un "clik" para controlar la traba de la puerta y que se efectúe un drenaje rápido.• Revise el fusible o reinicie el disyuntor.
No hay suministro de agua o el suministro de agua es insuficiente.	<ul style="list-style-type: none">• Abra totalmente la llave.• Asegúrese de que la puerta esté perfectamente cerrada.• Asegúrese de que la manguera de suministro de agua no esté congelada.• Asegúrese de que la manguera de suministro de agua no esté enroscada u obstruida.• Asegúrese de que la presión del agua sea suficiente.
Después de un ciclo, queda detergente en el cajón para detergente.	<ul style="list-style-type: none">• Asegúrese de que la lavadora funcione con suficiente presión de agua.• Asegúrese de agregar detergente líquido al contenedor para detergente líquido. Asegúrese de retirar el contenedor para detergente líquido si está utilizando detergente en polvo.• Limpie el cajón del detergente.
Vibra de forma excesiva o hace ruido.	<ul style="list-style-type: none">• Asegúrese de que la lavadora esté instalada sobre un piso nivelado y firme que no sea resbaladizo. Si el piso está desnivelado, use las patas niveladoras para ajustar la altura de la lavadora.• Asegúrese de que se hayan retirado los tornillos de transporte.• Asegúrese de que la lavadora no esté en contacto con ningún otro objeto.• Verifique que la carga de ropa sea equilibrada.• El motor puede hacer ruido durante el funcionamiento normal.• La ropa de trabajo y las prendas con decoraciones de metal pueden generar ruidos durante el lavado. Esto es normal.• Los objetos metálicos como las monedas pueden generar ruidos. Después del lavado, retire estos objetos del tambor o la caja del filtro.• Retire el relleno de las almohadas y los almohadones y lave únicamente las fundas.

Problema	Acción
No drena y/o no centrifuga.	<ul style="list-style-type: none"> • Asegúrese de que la manguera de drenaje no esté enroscada ni obstruida en algún punto hasta el sistema de drenaje. Si existe alguna restricción en cuanto al drenaje, comuníquese con el servicio técnico. • Verifique que el filtro de residuos no esté obstruido. • Cierre la puerta y presione o toque Inicio/Pausa (Hold To Start (Presione para Inicio)). Por su seguridad, la lavadora no girará ni centrifugará salvo que la puerta esté cerrada. • Asegúrese de que la manguera de drenaje no esté congelada ni obstruida. • Asegúrese de que la manguera de drenaje esté conectada a un sistema de drenaje que no esté obstruido. • Si no se suministra suficiente energía a la lavadora, esta no drenará ni centrifugará temporalmente. En cuanto la lavadora recupere la energía suficiente, funcionará con normalidad. • Asegúrese de que la manguera de drenaje esté colocada entre 6 y 8 pulgadas dentro de la tubería de desagüe. • Asegúrese de que la lavadora esté nivelada.
La puerta no se abre.	<ul style="list-style-type: none"> • Asegúrese de presionar o tocar Inicio/Pausa (Hold To Start (Presione para Inicio)) para detener el funcionamiento de la lavadora. • Puede llevar algunos minutos que el mecanismo de cierre de la puerta se desconecte. • Asegúrese de que se haya drenado toda el agua del tambor. • Es posible que la puerta no se abra si queda agua en el tambor. Drene el tambor y abra la puerta manualmente. • Asegúrese de que la luz de la traba de la puerta se apague. La luz de la traba de la puerta se apaga después de que la lavadora realiza el drenaje. • Si luego del suministro de agua, la lavadora se pausa, debe pasar un minuto para poder abrir la puerta. Si luego del drenaje aparece el código de información en la pantalla, la puerta no se abrirá hasta 3 minutos después de que la lavadora se haya detenido o apagado. • La puerta no se abre si desconectó el cable de alimentación con el producto en funcionamiento. <ul style="list-style-type: none"> - Enchufe el cable de alimentación y encienda el electrodoméstico. Luego, desactive el Seguro para niños si fuera necesario y mantenga presionado Inicio/Pausa (Hold To Start (Presione para Inicio)) para detener el funcionamiento.
Exceso de espuma.	<ul style="list-style-type: none"> • Asegúrese de utilizar los tipos y cantidades de detergente recomendados. • Use un detergente de alta eficacia (HE, por su sigla en inglés) para evitar la formación de espuma en exceso. • Reduzca la cantidad de detergente para el agua blanda, las cargas pequeñas o ligeramente sucias. • No utilice detergentes que no sean a alta eficacia (HE, por su sigla en inglés).

Solución de problemas

Problema	Acción
No se puede agregar detergente adicional.	<ul style="list-style-type: none"> Asegúrese de que la cantidad restante de detergente y suavizante de telas no supere el límite.
La lavadora se detiene.	<ul style="list-style-type: none"> Enchufe el cable de alimentación a un tomacorriente que funcione. Revise el fusible o reinicie el disyuntor. Cierre la puerta y presione Inicio/Pausa (Hold To Start (Presione para Inicio)) para iniciar la lavadora. Por su seguridad, la lavadora no girará ni centrifugará salvo que la puerta esté cerrada. Antes de que la lavadora comience a llenarse, se oirá una serie de sonidos semejantes a un "clic" para controlar la traba de la puerta y que se efectúe un drenaje rápido. Se puede producir una pausa o un período de remojo en el ciclo. Espere un instante para ver si la lavadora comienza a funcionar. Asegúrese de que el filtro de malla de la manguera de suministro de agua en las llaves del agua no esté obstruido. Limpie el filtro de malla periódicamente. Si no se suministra suficiente energía a la lavadora, esta no drenará ni centrifugará temporalmente. En cuanto la lavadora recupere la energía suficiente, funcionará con normalidad.
Se llena con agua a una temperatura incorrecta.	<ul style="list-style-type: none"> Abra por completo ambas llaves del agua. Asegúrese de que la selección de temperatura sea la correcta. Asegúrese de que las mangueras estén conectadas a las llaves correctas. Purgue las cañerías. Asegúrese de que el calentador de agua esté configurado para suministrar agua caliente desde la llave a una temperatura mínima de 120 °F (49 °C). Asimismo, verifique la capacidad del calentador de agua y la velocidad de recuperación. Desconecte las mangueras y limpie los filtros de malla. Los filtros de malla pueden estar obstruidos. Mientras la lavadora se llena, la temperatura del agua puede variar debido a que la función automática de control de la temperatura verifica la temperatura del agua que ingresa. Esto es normal. Mientras la lavadora se llena, es posible que observe que por el dosificador pasa solo agua caliente y/o solo agua fría cuando se seleccionan las temperatura fría o tibia. Esta es una función normal que cumple el control de temperatura automático dado que la lavadora determina la temperatura del agua.
La carga está húmeda al finalizar un ciclo.	<ul style="list-style-type: none"> Use la velocidad de centrifugado Alta o Muy alta. Use un detergente de alta eficacia (HE, por su sigla en inglés) para reducir la formación de espuma en exceso. La carga es demasiado pequeña. Las cargas pequeñas (una o dos prendas) se pueden desequilibrar y no centrifugarse en absoluto. Asegúrese de que la manguera de drenaje no esté enroscada ni obstruida.

Problema	Acción
Pierde agua.	<ul style="list-style-type: none"> • Asegúrese de que la puerta esté perfectamente cerrada. • Asegúrese de que todas las conexiones de las mangueras estén ajustadas. • Asegúrese de que el extremo de la manguera de drenaje esté correctamente conectado y asegurado al sistema de drenaje. • Evite sobrecargar la lavadora. • Use un detergente de alta eficacia (HE, por su sigla en inglés) para evitar la formación de espuma en exceso.
Tiene olor.	<ul style="list-style-type: none"> • El exceso de espuma se acumula en los huecos y puede causar malos olores. • Realice ciclos de limpieza para desinfectar periódicamente. • Limpie el sello de la puerta (diafragma). • Seque el interior de la lavadora una vez finalizado el ciclo.
Al finalizar un ciclo, la lavadora no se apaga y/o la puerta no se abre.	<ul style="list-style-type: none"> • Si la Notificación de ropa restante está activada, presione Encender/Apagar para apagar la lavadora y, luego, retire las prendas. • Si el indicador de SELF CLEAN (AUTOLIMPIEZA)⁺ está encendido, retire todas las prendas del tambor y, luego, ejecute el ciclo SELF CLEAN (AUTOLIMPIEZA)⁺.

Si el problema persiste, comuníquese con un centro de servicio local de Samsung.



Solución de problemas

Códigos de información

Si la lavadora no funciona bien, puede ver un código de información en la pantalla. Consulte la siguiente tabla y pruebe las sugerencias.

Código	Acción
1C	<p>Revise el sensor del nivel del agua.</p> <ul style="list-style-type: none"> • Apague la lavadora. Espere 2-3 minutos, ponga la lavadora en marcha y vuelva a intentarlo. • Dependiendo del modelo, el sistema de drenaje puede drenar el agua automáticamente. Los botones Encender/Apagar y Inicio/Pausa (Hold To Start (Presione para Inicio)) pueden desactivarse durante este proceso.
DC	<p>La puerta está abierta.</p> <ul style="list-style-type: none"> • Cierre la puerta y presione Inicio/Pausa (Hold To Start (Presione para Inicio)) para reanudar el funcionamiento.
DC1	<p>Revise el interruptor de la puerta.</p> <ul style="list-style-type: none"> • Apague la lavadora. Espere 2-3 minutos, ponga la lavadora en marcha y vuelva a intentarlo.
LC	<p>Revise si hay fugas de agua.</p> <ul style="list-style-type: none"> • Apague la lavadora y, luego, revise el sistema de drenaje para ver si hay fugas. Una vez solucionado el problema de la fuga, ponga la lavadora en marcha. • Dependiendo del modelo, el sistema de drenaje puede drenar el agua automáticamente. Los botones Encender/Apagar y Inicio/Pausa (Hold To Start (Presione para Inicio)) pueden desactivarse durante este proceso.
4C	<p>Revise el conducto de suministro de agua.</p> <ul style="list-style-type: none"> • Revise la conexión de las cañerías de agua (incluidas las llaves del agua). • Apague la lavadora. Espere 2-3 minutos, ponga la lavadora en marcha y vuelva a intentarlo. • Dependiendo del modelo, el sistema de drenaje puede drenar el agua automáticamente. Los botones Encender/Apagar y Inicio/Pausa (Hold To Start (Presione para Inicio)) pueden desactivarse durante este proceso.
4C2	<p>La ropa necesita protección porque el agua suministrada está demasiado caliente.</p> <ul style="list-style-type: none"> • Asegúrese de que las llaves del agua fría y caliente estén conectadas correctamente. • Apague la lavadora. Espere 2-3 minutos, ponga la lavadora en marcha y vuelva a intentarlo.
5C	<p>Revise el sistema de drenaje.</p> <ul style="list-style-type: none"> • Asegúrese de que el filtro de drenaje no esté obstruido. • Si el filtro de drenaje está obstruido, límpielo y, luego, vuelva a poner en marcha la lavadora.



Código	Acción
HC	Revise el calentador de lavado. <ul style="list-style-type: none"> Apague la lavadora y, luego, comuníquese con un centro de servicio de Samsung.
UB	Revise el proceso de centrifugado. <ul style="list-style-type: none"> Es posible que la carga no esté equilibrada dentro del tambor. Revise el tambor y asegúrese de que la carga esté equilibrada. Presione Inicio/Pausa (Hold To Start (Presione para Inicio)) para reanudar el funcionamiento, o apague la lavadora, espere 2-3 minutos, póngala en marcha y vuelva a intentarlo.
8C, 8C1, 8C2	Revise el sensor MEMS. <ul style="list-style-type: none"> Apague la lavadora. Espere 2-3 minutos, ponga la lavadora en marcha y vuelva a intentarlo.
OC	El agua puede desbordar. <ul style="list-style-type: none"> Cierre la válvula de agua y comuníquese con el servicio técnico.
3C	Revise el motor. <ul style="list-style-type: none"> Apague la lavadora. Espere 2-3 minutos, ponga la lavadora en marcha y vuelva a intentarlo.
AC6	Verifique el estado de comunicación de la PBA. <ul style="list-style-type: none"> Apague la lavadora. Espere 2-3 minutos, ponga la lavadora en marcha y vuelva a intentarlo.
9C1, 9C2	Se debe revisar el control electrónico. <ul style="list-style-type: none"> Revise si la alimentación se suministra normalmente. Si el código de información permanece, comuníquese con un centro de servicio de Samsung.
SF	Falla del sistema. <ul style="list-style-type: none"> Apague la lavadora y, luego, comuníquese con un centro de servicio de Samsung.

Si un código de información sigue apareciendo en la pantalla, comuníquese con un centro de servicio local de Samsung.



Especificaciones

Tabla de indicaciones sobre telas

Los siguientes símbolos ofrecen indicaciones acerca de las prendas. La etiqueta de indicaciones de la prenda incluye símbolos para secado, blanqueado, secado y planchado, o limpieza en seco cuando son necesarios. El uso de símbolos garantiza la consistencia entre los fabricantes textiles de artículos nacionales e importados. Siga las indicaciones de la etiqueta para optimizar la vida útil de la prenda y reducir los problemas del lavado.

	Secar en secadora
--	-------------------

Normal

	Plancha permanente/Antiarrugas/Control de arrugas
	Prendas suaves/delicadas

Ciclo de lavado

	Normal
	Plancha permanente/Antiarrugas/Control de arrugas
	Prendas suaves/delicadas
	Lavado a mano

Instrucciones especiales

	Secar colgado/tender
	Colgar para que escurra
	Secar en posición horizontal

Temperatura del agua

	Caliente
	Tibia
	Fría

NOTA

El rango de temperatura para Caliente es de 135 °F (57 °C) o inferior, 95 °F (35 °C) o inferior para Tibia y 68 °F (20 °C) o inferior para Fría. La temperatura del agua del lavado debe alcanzar un mínimo de 60 °F (16 °C) para que se active el detergente y se logre un lavado eficaz.

Blanqueador

	Cualquier blanqueador (cuando sea necesario)
	Solo blanqueador sin cloro (protección del color) (si es necesario)

Ajuste del calor







	Alto
	Medio
	Bajo
	Cualquier calor
	Sin calor/aire

Temperaturas de secado con plancha o vapor






	Alta
	Media
	Baja



Símbolos de advertencia para el lavado

	No lavar
	No retorcer
	No usar blanqueador
	No secar en secadora
	Sin vapor (agregado a la plancha)
	No planchar

Limpiar en seco

	Limpiar en seco
	No limpiar en seco
	Secar colgado/tender
	Colgar para que escurra
	Secar en posición horizontal

Protección del medio ambiente

- Este electrodoméstico se fabrica con materiales reciclables. Si decide deshacerse de ella, siga la normativa local relacionada con la eliminación de desechos. Corte el cable de alimentación para que el electrodoméstico no pueda conectarse a una fuente de alimentación. Quite la tapa para que los animales y los niños pequeños no puedan quedar atrapados dentro de la máquina.
- No utilice cantidades de detergente superiores a las recomendadas por los fabricantes de detergentes.
- Utilice productos quitamanchas y blanqueadores antes del ciclo de lavado solo cuando sea necesario.
- Ahorre agua y electricidad utilizando solo la capacidad total de la lavadora (la cantidad exacta depende del programa que se utilice).

Declaración de conformidad

Este electrodoméstico cumple con la norma UL2157.

Especificaciones

Español

Hoja de especificaciones

Tipo		Lavadora de carga frontal	
		WF45B6300A*	
Capacidad (pies cúbicos)		4.5	
Presión de agua (psi (kPa))		20-116 (137-800)	
Peso NETO (lb (kg))		201 (91.0)	
Revolución del centrifugado		1200 rpm	
Potencia del calentador		900 W	
Consumo de potencia	Lavado	120 V	200 W
	Lavado y calentamiento		1150 W
	Centrifugado		550 W
	Drenaje		80 W

Garantía limitada (Estados Unidos)

LAVADORA SAMSUNG

GARANTÍA LIMITADA AL COMPRADOR CONSUMIDOR ORIGINAL CON PRUEBA DE COMPRA

El presente producto de la marca SAMSUNG, tal como lo provee y distribuye SAMSUNG ELECTRONICS AMERICA, INC. (SAMSUNG) y lo entrega como nuevo, en su caja de cartón original al comprador consumidor original, está garantizado por SAMSUNG contra defectos de fabricación de los materiales o la mano de obra durante el período limitado de la garantía, a partir de la fecha original de compra, de:

- Un (1) año para las piezas y la mano de obra,
- Tres (3) años para las piezas del tambor inoxidable (solo repuestos),
- Diez (10) años para el motor DD (solo repuestos)

La presente garantía limitada es válida únicamente para productos comprados y usados en Estados Unidos que fueron instalados, operados y mantenidos de acuerdo con las instrucciones adjuntas o provistas con el producto. Para recibir el servicio técnico en garantía, el comprador debe comunicarse con SAMSUNG en la dirección o el teléfono que figuran más abajo con el fin de que se determine el problema y los procedimientos del servicio. El servicio técnico de la garantía solo puede ser prestado por un centro de servicio técnico autorizado de SAMSUNG. Para recibir el servicio técnico en garantía debe presentarse la factura original de compra fechada cuando así lo solicite SAMSUNG o el Centro de Servicio autorizado Samsung como prueba de compra.

Samsung brindará servicio técnico a domicilio dentro del territorio contiguo de Estados Unidos durante el período de garantía sin cargo, sujeto a la disponibilidad de los centros de servicio autorizados por SAMSUNG dentro de la zona geográfica del cliente. Si el servicio técnico a domicilio no está disponible, SAMSUNG puede, a su elección, optar por transportar el producto hasta y desde un centro de servicio técnico autorizado. Si el producto está ubicado en una zona en la que no se encuentra disponible ningún centro de servicio autorizado por SAMSUNG, usted podrá ser responsable del cargo por transporte o se le podrá requerir que transporte el producto a un centro de servicio autorizado por SAMSUNG para recibir asistencia técnica.

Para recibir el servicio técnico a domicilio, el producto no debe presentar obstrucciones y debe ser accesible para el agente del servicio técnico.

Durante el período de garantía aplicable, el producto se reparará o se reemplazará, o se devolverá el importe de compra, a la entera discreción de SAMSUNG. SAMSUNG podrá usar piezas nuevas o reacondicionadas para la reparación del producto, o reemplazar el producto por un producto nuevo o reacondicionado. La vigencia de la garantía de las piezas y los productos reemplazados será por el período restante de la garantía original del producto o por un período de noventa (90) días, el que sea el más largo. Todas las piezas y los productos reemplazados son propiedad de SAMSUNG y deben ser devueltos a SAMSUNG.

Garantía limitada (Estados Unidos)

La presente garantía limitada cubre defectos de fabricación de los materiales o la mano de obra que ocurran durante el uso normal y doméstico de este producto y no cubrirá lo siguiente: daños que ocurran durante el envío, entrega e instalación y usos para los cuales el presente producto no fue destinado; daños causados por modificación o alteración no autorizada del producto; producto cuyos números de serie originales de fábrica fueron eliminados, desfigurados, alterados en algún modo o que no se puedan determinar fácilmente; daños cosméticos incluyendo rayones, hendiduras, abolladuras y otros daños al acabado del producto; daño causado por abuso o mal uso, plagas, accidente, incendio, inundación u otros casos fortuitos o de fuerza mayor; daño causado por el uso de equipo, utilidades, servicios, piezas, suministros, accesorios, aplicaciones, instalaciones, reparaciones, cableado externo o conectores no provistos ni autorizados por SAMSUNG; daño causado por línea eléctrica o voltaje incorrecto, fluctuaciones y sobretensión; daño causado por no operar y mantener el producto de acuerdo con las instrucciones; instrucción a domicilio acerca de cómo usar el producto; y servicio técnico para corregir una instalación que no cumpla con los códigos eléctricos o de plomería o corrección de cableado eléctrico o tuberías (es decir, cableado doméstico, fusibles o mangueras de entrada de agua). El costo de reparación o reemplazo bajo estas circunstancias excluidas será responsabilidad del cliente.

Las visitas de un proveedor de servicio técnico autorizado para explicar funciones, mantenimiento o instalación del producto no se cubren bajo esta garantía limitada. Comuníquese con Samsung al número que figura abajo para obtener ayuda con cualquiera de estos problemas.

EXCLUSIÓN DE GARANTÍAS IMPLÍCITAS

LAS GARANTÍAS IMPLÍCITAS, INCLUYENDO GARANTÍAS IMPLÍCITAS DE COMERCIABILIDAD O APTITUD PARA UN PROPÓSITO EN PARTICULAR, ESTÁN LIMITADAS A UN AÑO O AL PERIODO MÁS CORTO PERMITIDO POR LA LEY. Algunos estados no permiten limitaciones en cuanto al periodo de vigencia de una garantía implícita, de tal forma que las limitaciones o exclusiones mencionadas tal vez no se apliquen a usted en particular. Esta garantía le otorga derechos específicos, e incluso usted también puede tener otros derechos que varían de un estado a otro.

LIMITACIÓN DE RECURSOS

EL ÚNICO Y EXCLUSIVO RECURSO ES LA REPARACIÓN DEL PRODUCTO, EL REEMPLAZO DEL PRODUCTO O LA DEVOLUCIÓN DEL IMPORTE DE COMPRA, A DISCRECIÓN DE SAMSUNG, CONFORME A ESTA GARANTÍA LIMITADA. SAMSUNG NO SERÁ RESPONSABLE POR DAÑOS ESPECIALES, IMPREVISTOS O DERIVADOS, INCLUYENDO ENTRE OTROS, TIEMPO FUERA DEL TRABAJO, HOTELES Y/O COMIDAS EN RESTAURANTES, GASTOS DE REMODELACIÓN, PÉRDIDAS DE INGRESOS O GANANCIAS, INCAPACIDAD DE GENERAR AHORROS U OTROS BENEFICIOS INDEPENDIENTEMENTE DE LA TEORÍA LEGAL EN LA QUE SE BASE EL RECLAMO, E INCLUSO SI SAMSUNG HA SIDO ADVERTIDA DE LA POSIBILIDAD DE DICHOS DAÑOS. Algunos estados no permiten la exclusión o la limitación de daños imprevistos o derivados, por lo que las limitaciones o exclusiones mencionadas tal vez no se apliquen a usted en particular. Esta garantía le otorga derechos específicos, e incluso usted también puede tener otros derechos que varían de un estado a otro.

SAMSUNG no garantiza el funcionamiento ininterrumpido o sin errores del producto. Ningún aval o garantía otorgados por otra persona, compañía o corporación con respecto al presente producto revestirá carácter vinculante para SAMSUNG.

Para obtener el servicio de garantía, comuníquese con SAMSUNG en:

Samsung Electronics America, Inc.

85 Challenger Road

Ridgefield Park, NJ 07660

1-800-SAMSUNG (726-7864)

www.samsung.com/us/support

SAMSUNG



Scan the QR code* or visit
www.samsung.com/spsn
to view our helpful
How-to Videos and Live Shows

*Requires reader to be installed on your smartphone

Scan this with your smartphone

¿PREGUNTAS O COMENTARIOS?

PAÍS	LLAME AL	O VISÍTENOS EN LÍNEA EN
U.S.A	1-800-SAMSUNG (726-7864)	www.samsung.com/us/support



DC68-04355A-00