

IMPORTANT:
Read Before Using

IMPORTANT :
Lire avant usage

IMPORTANTE:
Leer antes de usar

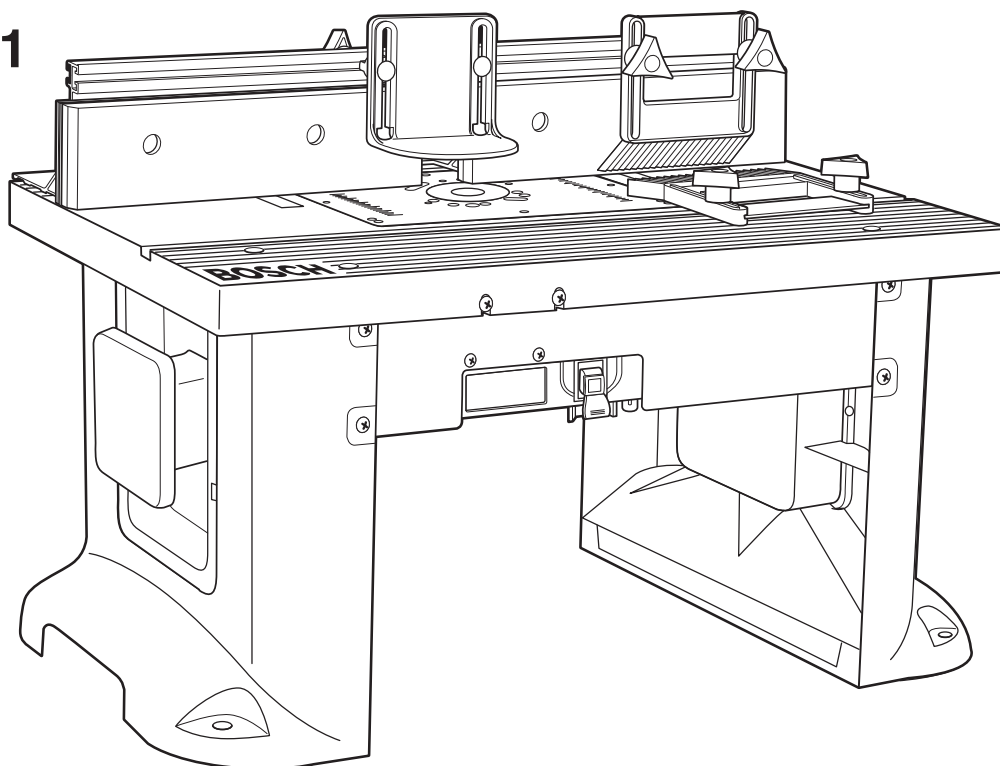


Operating/Safety Instructions

Consignes de fonctionnement/sécurité

Instrucciones de funcionamiento y seguridad

RA1181



BOSCH

Consumer Information
Renseignement des consommateurs
Información para el consumidor

Toll Free Number: 1-877-BOSCH99
Appel gratuit : (1-877-267-2499)
Número de teléfono gratuito: <http://www.boschtools.com>

For English
See page 2

Parlez-vous français?
Voir page 34

¿Habla español?
Ver página 64

Table of Contents

IMPORTANT SAFETY INFORMATION . . .	2–6	Router Table Assembly	11–21
Parts List	7–10	Router Table Operation	22–32

Power Tool Safety Rules



WARNING Read and understand the tool manual and these instructions for the use of this table with your router. Failure to follow all instructions listed below may result in serious personal injury.

SAVE THESE INSTRUCTIONS

Work Area


Keep your work area clean and well lit. Cluttered benches and dark areas invite accidents.

Do not operate power tools in explosive atmospheres, such as in the presence of flammable liquids, gases, or dust. Power tools create sparks which may ignite the dust or fumes.

Keep bystanders, children, and visitors away while operating a power tool. Distractions can cause you to lose control.

Electrical Safety

Grounded tools must be plugged into an outlet properly installed and grounded in accordance with all codes and ordinances. Never remove the grounding prong or modify the plug in any way. Do not use any adaptor plugs. Check with a qualified electrician if you are in doubt as to whether the outlet is properly grounded. If the tools should electrically malfunction or break down, grounding provides a low resistance path to carry electricity away from the user. Improper grounding can shock, burn, or electrocute. Grounded tools are equipped with three-conductor cord and three-prong type plugs. *Before plugging in the tool, be certain the outlet voltage supplied is within the voltage marked on the nameplate. Do not use “AC only” rated tools with a DC power supply.*

Double-insulated tools are equipped with a polarized plug (one blade is wider than the other.) This plug will fit in a polarized outlet only one way. If the plug does not fit fully in the outlet, reverse the plug. If it still does not fit, contact a qualified electrician to install a polarized outlet. Do not change the plug in any way. Double Insulation  eliminates the need for the three-wire grounded power cord and grounded power supply system. *Before plugging in the tool, be certain the outlet voltage supplied is within the voltage marked on the nameplate. Do not use “AC only” rated tools with a DC power supply.*

Avoid body contact with grounded surfaces such as pipes, radiators, ranges and refrigerators. There is an increased risk of electric shock if your body is grounded. If operating the power tool in damp locations is unavoidable, a Ground Fault Circuit Interrupter must be used to supply the power to your tool. Electricians’ rubber gloves and footwear will further enhance your personal safety.

Don’t expose power tools to rain or wet conditions. Water entering a power tool will increase the risk of electric shock.

Do not abuse the cord. Never use the cord to carry the tools or pull the plug from an outlet. Keep cord away from heat, oil, sharp edges, or moving parts. Replace damaged cords immediately. Damaged cords increase the risk of electric shock.

When operating a power tool outside, use an outdoor extension cord marked “W-A” or “W.” These cords are rated for outdoor use and reduce the risk of electric shock. Refer to “Important Information About Extension Cords” in your router table manual.

Personal Safety

Stay alert, watch what you are doing and use common sense when operating a power tool. Do not use tool while tired or under the influence of drugs, alcohol, or medication. A moment of inattention while operating power tools may result in serious personal injury.

Keep guards in place. Maintain the guards in working order and in proper adjustment and alignment.

Avoid accidental starting. Be sure switch is “OFF” before plugging in. Carrying tools with your finger on the switch or plugging in tools that have the switch “ON” invites accidents.

Remove adjusting keys or wrenches before turning the tool “ON.” A wrench or a key that is left attached to a rotating part of the tool may result in personal injury.

Do not overreach. Keep proper footing and balance at all times. Proper footing and balance enable better control of the tool in unexpected situations.

Use safety goggles (head protection). Wear safety goggles (must comply with ANSI Standard Z87.1) at all times. Wear non-slip footwear and a hard hat, if appropriate. Also, use face or dust mask if cutting operation is dusty and ear protectors (plugs or muffs) during extended periods of operation.

Tool Use and Care

Use clamps or other practical way to secure and support the workpiece to a stable platform. Holding the work by hand or against your body is unstable and may lead to loss of control.

Do not force tool. Use the correct tool for your application. The correct tool will do the job better and safer at the rate for which it is designed.

Do not use tool if switch does not turn it “ON” or “OFF.” Any tool that cannot be controlled with the switch is dangerous and must be repaired.

Disconnect the plug from the power source before making any adjustments, changing accessories, or storing the tool. Such preventive safety measures reduce the risk of starting the tool accidentally.

Keep guards in place. Maintain the guards in working order and in proper adjustment and alignment.

Store idle tools out of reach of children and other untrained persons. Tools are dangerous in the hands of untrained users.

Never leave tools running unattended. Turn the power OFF. DO NOT leave tool until it comes to a complete stop.

Maintain tools with care. Keep cutting tools sharp and clean. Properly maintained tools, with sharp cutting edges are less likely to bind and are easier to control. Any alteration or modification is a misuse and may result in a dangerous condition.

Check for damaged guards or parts, misalignment or binding of moving parts, breakage of parts, and any other condition that may affect the tool’s operation. If damaged, have the tool properly repaired or replaced before using. Many accidents are caused by poorly maintained tools. Develop a periodic maintenance schedule for your tool.

Use only accessories that are recommended by the manufacturer for your model. Accessories that may be suitable for one tool may become hazardous when used on another tool.

Service

Tool service must be performed only by qualified repair personnel. Service or maintenance performed by unqualified personnel could result in a risk of injury. For example: internal wires may be misplaced or pinched; safety guard return springs may be improperly mounted.

When servicing a tool, use only identical replacement parts. Use of unauthorized parts or failure to follow maintenance instructions may create a risk of electric shock or injury. Certain cleaning agents such as gasoline, carbon tetrachloride, and ammonia may damage plastic parts.

Additional Safety Warnings for Router Tables

Lift router table only by the table edges. Lifting table by any other surface could cause personal injury.

Do not use the router table until all assembly and installation steps have been completed. Prior to each use, verify that fasteners and the router clamps are tight. A loose table or router is unstable and may shift in use, resulting in property damage or serious personal injury.

Disconnect the router from the power supply before installing router into the table, making adjustments, changing accessories, removing the router from the table, performing maintenance, or storing the tool. Such precautionary safety measures reduce the risk of unintentional tool operation.

Do not plug router motor power cord into standard wall outlet. Always plug router cord into the router table switch box. Power tool switches and controls need to be within your reach in emergency situations.

Do not permit fingers to touch terminals on the plug when inserting or removing plug from the outlet. Risk of Electric Shock.

Before connecting router or vacuum to router table switch box, ensure that the router or vacuum switch is off and that the router table switch box is unplugged. Such precautionary safety measures reduce the risk of unintentional tool operation.

Before using the router table, verify that the router is securely clamped to the router table base. While working, periodically check the router base fastener clamping tightness. Vibrations from cutting operations can cause router motor clamps to loosen and the router motor may fall from the table.

Before starting to work, ensure that the power cords from the router accessories, the switch box, and the extension cord do not and cannot come in contact with the router or any moving parts of the router. Such precautionary safety measures reduce the risk of injury due to loss of control.

Do not use the router table without the overhead guard unless required by a particular cutting operation. Replace guard immediately after completion of cutting operation. Remove all dust, chips, and any other foreign particles that can affect its function. The guard will aid in keeping hands from unintended contact with the rotating bit.

Do not use bits that have a cutting diameter that exceeds the clearance hole in the tabletop insert plate or insert rings. The bit could contact the insert plate or insert ring, throwing fragments.

Never use dull or damaged bits. Damaged bits can snap during use. Dull bits require more force to push the workpiece, possibly causing the bit to break or the material to kick back.

Handle sharp bits with care. Such precautionary safety measures reduce risk of injury.

Do not alter insert ring or insert plate bit hole. Match the cutting diameter of the bit to the inner diameter of the insert ring or insert plate bit hole such that the difference is no less than 1/16” on a side. Insert rings are meant to reduce the gap between the cutting diameter of the bit and the table so that workpieces maintain full support of the table while routing.

Install bit in accordance with instructions in the router manual. Securely clamp the router bit in the collet chuck before making any cuts. Securing the bit before cutting reduces the risk of the bit becoming loose during operation.

Never place your fingers near a spinning bit or under the guard when the router is plugged in. Such precautionary safety measures reduce the risk of injury.

Never hold the workpiece on the outfeed side of the bit. Pressing the workpiece against the outfeed side of the fence may cause material binding and possible kickback, pulling your hand into the bit.

Guide the workpiece with the fence to maintain control of the workpiece. Do not place the workpiece between the router bit and fence while routing the edge. This placement will cause the material to become wedged, making kickback possible.

Only use routers for working with wood, woodlike products, plastic, or laminates. Do not use router and router table for cutting or shaping metals. Be sure workpiece does not contain nails or other hard objects. Cutting nails may cause loss of control of the tool or workpiece.

Additional Safety Warnings for Router Tables

Never start the tool when the bit is engaged in the material. The bit-cutting edge may grab the material, causing loss of control of the workpiece.

Feed the workpiece only against the rotation of the bit. Do not “back feed” the workpiece into the bit. The bit rotates counterclockwise as viewed from the top of the table. “Back feeding” will cause the workpiece to “climb” up on the bit, pulling the workpiece and possibly your hands into the rotating bit.

Do not feed the workpiece into the bit where the majority of the workpiece is between the fence and the bit. This creates a “fence trap” which is a hazardous situation due to the bit being exposed. This will cause the work to “climb-cut” away from the tabletop and may lead to loss of control during operation.

Do not cut material that is warped, wobbly, or otherwise unstable. The router table is designed to cut flat, straight, and squared materials. If the material is slightly curved but otherwise stable, cut the material with the concave side against the table or fence. Cutting the material with the concave side up or away from the table may cause the warped or wobbly material to roll and kick back, causing the user to lose control.

Use auxiliary infeed and outfeed supports for long or wide workpieces. Oversize workpieces without adequate support can flip off the table or cause the table to tip.

Use push stick, vertically and horizontally mounted featherboards (spring sticks), and other jigs to hold down the workpiece. Push sticks, featherboards, and jigs eliminate the need to hold the workpiece near the spinning bit.

Never let go of the workpiece when routing until the cut has been completed and the workpiece is completely clear of the bit. Such precautionary safety measures reduce the risk of injury and property damage. Featherboards aid in holding the workpiece in position when routing on a router table. They are not intended to hold the workpiece in place alone when the workpiece is in contact with the bit, or at any other time when the bit is turning.

Always hold the workpiece against the router table fence when routing. Such precautionary measures increase accuracy in routing and improve control of the workpiece, reducing the risk of injury.

Never leave the router unattended while it is running or before it comes to a complete stop. Such precautionary safety measures reduce the risk of injury and property damage.

Do not use the table as a workbench or work surface. Using it for purposes other than routing may cause damage and make it unsafe to use in routing.

Never stand on the table or use as a ladder or scaffolding. The table could tip or the cutting tool could be accidentally contacted.

When servicing the tool, use only recommended Bosch replacement parts. Follow instructions in the Maintenance section of this manual. Use of unauthorized parts or failure to follow maintenance instructions can result in personal injury.

Some dust created by power sanding, sawing, grinding, drilling, and other construction activities contains chemicals known to cause cancer, birth defects, or other reproductive harm. Some examples of these chemicals are:

- Lead from lead-based paints
- Crystalline silica from bricks, cement, and other masonry products
- Arsenic and chromium from chemically treated lumber

Your risk from these exposures varies, depending on how often you do this type of work. To reduce your exposure to these chemicals, work in a well-ventilated area, and work with approved safety equipment, such as those dust masks that are specially designed to filter out microscopic particles.

Improper Fence Location and Workpiece Feed

⚠ WARNING Do not feed the workpiece where the majority of the workpiece is between the fence and the bit. This creates a “fence trap” which is dangerous for two reasons:

- The front of the bit is exposed during the cutting operation (Fig. A).
- The bit can “Climb-cut,” where the bit enters the workpiece in the same direction as the feed direction. This is likely to cause the workpiece to “climb” away from the tabletop and may lead to loss of control during operation (Fig. A).

⚠ WARNING Feed the workpiece only against the rotation of the bit. Do not “back feed” the work into the bit. The bit rotates counterclockwise as viewed from the top of the table. “Back feeding” the work is dangerous for two reasons:

- It will cause climb-cutting where the workpiece can “climb” off the tabletop in the direction of the bit rotation, pulling the workpiece and possibly your hands into the rotating bit (Fig. B).
- It is difficult to keep the workpiece against the fence face as the bit rotation will push the workpiece away from the fence.

FIG. A

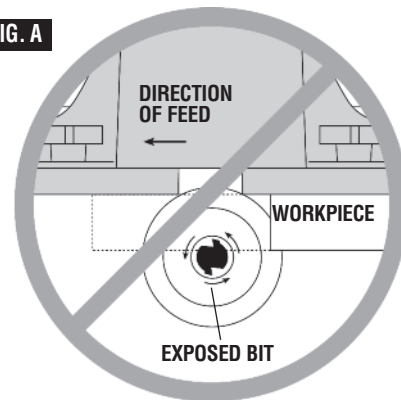
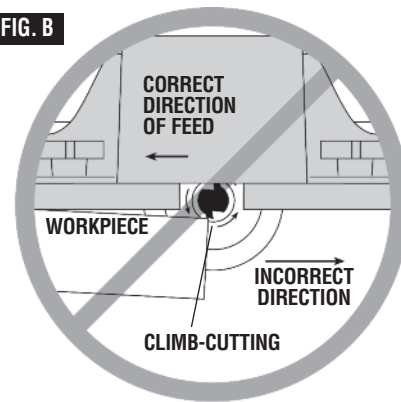


FIG. B



Important Information About Extension Cords

⚠ WARNING An extension cord with adequate size conductors that is capable of carrying the current for your tool must be used. This will prevent excessive voltage drop, loss of power, or overheating. Grounded tools must use 3-wire extension cords that have 3-prong plugs and receptacles.



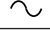
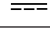





NOTE: The smaller the gauge number, the heavier the cord.

RECOMMENDED SIZES OF EXTENSION CORDS 120-VOLT ALTERNATING CURRENT TOOLS

Tool's Ampere Rating	Cord Size in A.W.G.				Wire Sizes in mm ²			
	Cord Length in Feet				Cord Length in Meters			
	25	50	100	150	15	30	60	120
3-6	18	16	16	14	.75	.75	1.5	2.5
6-8	18	16	14	12	.75	1.0	2.5	4.0
8-10	18	16	14	12	.75	1.0	2.5	4.0
10-12	16	16	14	12	1.0	2.5	4.0	—
12-16	14	12	—	—	—	—	—	—

Symbols

IMPORTANT: Some of the following symbols may be used on your tool. Please study them and learn their meaning. Proper interpretation of these symbols will allow you to operate the tool better and safer.

Symbol	Name	Designation/Explanation
V	Volts	Voltage (potential)
A	Amperes	Current
Hz	Hertz	Frequency (cycles per second)
W	Watt	Power
kg	Kilograms	Weight
min	Minutes	Time
s	Seconds	Time
∅	Diameter	Size of drill bits, grinding wheels, etc.
n ₀	No load speed	Rotational speed, at no load
.../min	Revolutions or reciprocation per minute	Revolutions, strokes, surface speed, orbits etc. per minute
0	Off position	Zero speed, zero torque...
1, 2, 3, ... I, II, III,	Selector settings	Speed, torque, or position settings Higher number means greater speed
	Infinitely variable selector with off	Speed is increasing from 0 setting
	Arrow	Action in the direction of arrow
	Alternating current	Type or a characteristic of current
	Direct current	Type or a characteristic of current
	Alternating or direct current	Type or a characteristic of current
	Class II construction	Designates double-insulated construction tools
	Earthing terminal	Grounding terminal
	Warning symbol	Alerts user to warning messages
	Ni-Cad RBRC seal	Designates Ni-Cad battery recycling program



This symbol designates that this tool complies to NOM Mexican Standards.



This symbol designates that this tool is listed by the Canadian Standards Association.



This symbol designates that this tool is listed by Underwriters Laboratories and listed to Canadian Standards by Underwriters Laboratories.



This symbol designates that components of this tool are recognized by Underwriters Laboratories and recognized to Canadian Standards by Underwriters Laboratories.

Parts List

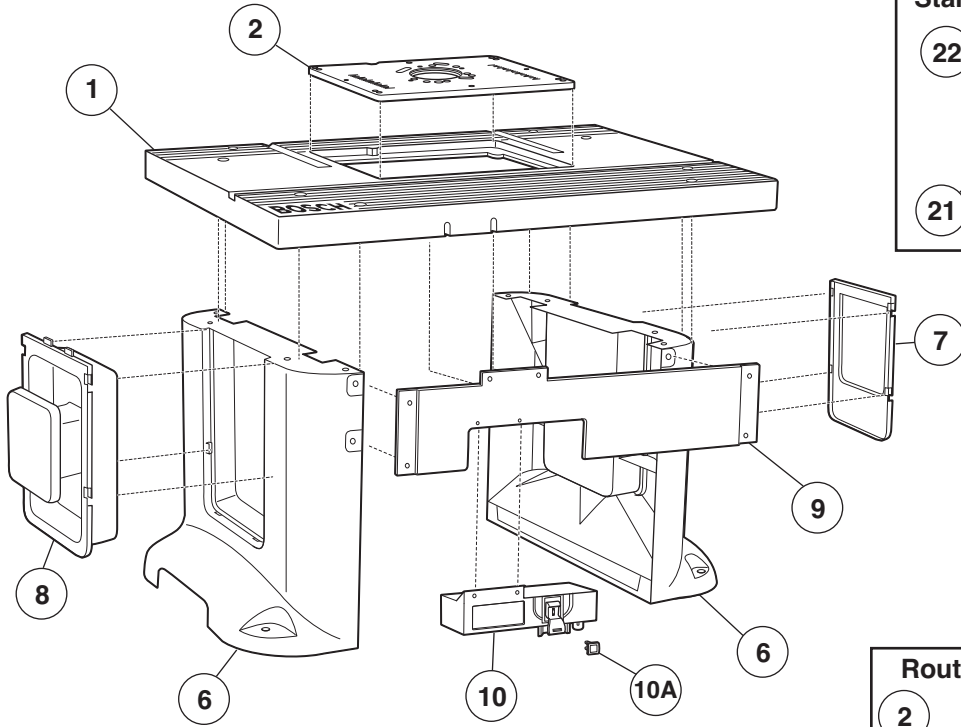
Refer to Parts List below and on pages 8–10.

- ⚠ WARNING** If **ANY** of the parts are missing, **DO NOT** attempt to assemble, install, or use your router table until the missing parts have been found or replaced and your router table has been properly and correctly assembled per this manual.
- For missing parts or technical assistance, call 1-877-BOSCH99 (877-267-2499).**
- In order to simplify handling and to minimize any damage that may occur during shipping, your router table comes mostly unassembled. Note that the switch box and some fasteners are preassembled to facilitate identification and installation.
- Separate all parts from the packaging materials and check each part against the illustrations and the parts lists to make sure that all parts have been included. Do this before discarding any of the packaging material.

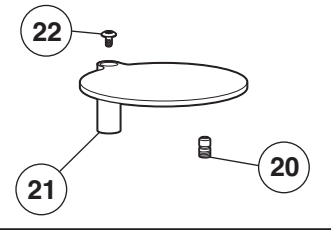
Key No.	Description	Quantity
ROUTER TABLE COMPONENTS		
1	Router Tabletop	1
2	Router Mounting Plate	1
3	Tabletop Insert w/ 1" Dia. Hole	1
4	Tabletop Insert w/ 2" Dia. Hole	1
5	Tabletop Insert w/ 2 ³ / ₄ " Dia. Hole	1
6	Table Leg	2
7	Leg Storage Panel	1
8	Leg Cord Wrap Assembly	1
9	Front Fascia Panel	1
10	Switch Box Assembly With Lockout Key	1
10A	Lockout Key	1
FENCE COMPONENTS		
11	Aluminum Fence	1
12	Fence Facing	2
13	Vacuum Port	1
14	Large Clamping Knob (in hardware bag)	6
15	Overhead Guard	1
16	Spacer (in hardware bag)	6
17	Small Clamping Knob (in hardware bag)	6
18	1/16" Jointing Shim	2
19	Featherboard	2
STARTER PIN COMPONENTS		
20	Starter Pin	1
21	Starter Pin Guard	1
22	#10-32 x 3/8" Truss-Head Phillips Machine Screw	1

Parts List

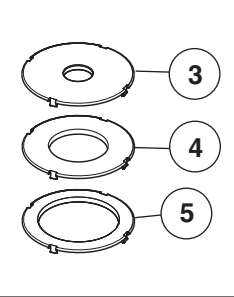
Router Table Components



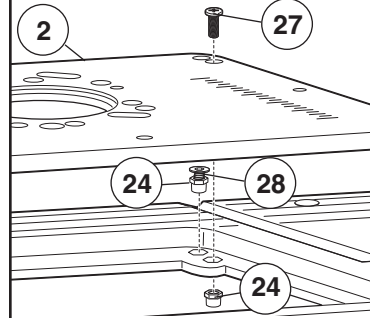
Starter Pin Components



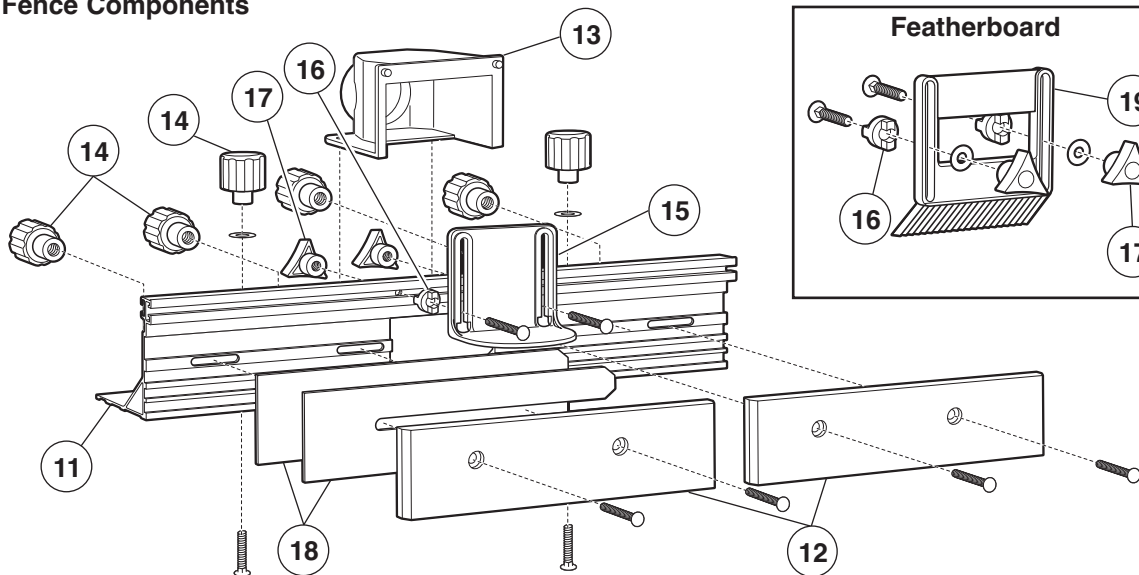
Tabletop Inserts



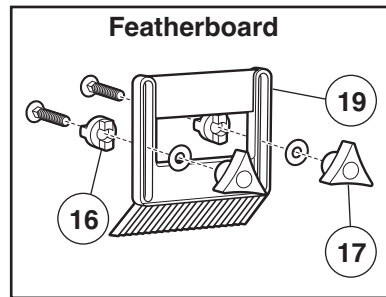
Router Mounting Plate



Fence Components



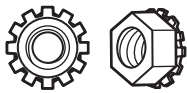
Featherboard



Parts List

Key No.	Description	Quantity
FASTENERS (FOR TABLE ASSEMBLY)		
23	#10-32 KEPS Nut	8
24	#10-32 ESNA Stop Nut	12
25	1/4-20 KEPS Nut	8
26	9/32" ID x 5/8" OD x 1/16" Thick Washer	8
27	#10-32 x 1" Pan-Head Phillips Machine Screw	4
28	#10-32 x 3/4" Countersunk Socket-Head Screw	8
29	#10-32 x 3/4" Truss-Head Phillips Machine Screw	8
30	1/4-20 x 1 1/2" Carriage Bolt	8
31	1/8" Hex Key (Allen Wrench)	1
FASTENERS (FOR FENCE ASSEMBLY)		
23	#10-32 KEPS Nut	2
26	9/32" ID x 5/8" OD x 1/16" Thick Washer	6
32	#10-32 x 5/8" Countersunk Phillips Machine Screw	2
30	1/4-20 x 1 1/2" Carriage Bolt	6
33	1/4-20 x 1" Carriage Bolt	4
34	1/4-20 x 1 3/4" Carriage Bolt	2
FASTENERS (FOR MOUNTING ROUTERS)		
25	1/4-20 KEPS Nut	4
26	9/32" ID x 5/8" OD x 1/16" Thick Washer	2
35	#10-32 x 1/2" Pan-Head Phillips Machine Screw	3
36	#10-16 x 1/2" Pan-Head Phillips Machine Screw	2
37	#10-24 x 1/2" Pan-Head Phillips Machine Screw	4
38	#8-32 x 1/2" Pan-Head Phillips Machine Screw	3
39	5/16-18 x 1/2" Pan-Head Phillips Machine Screw	3
40	M4 x 20 Pan-Head Phillips Machine Screw	3

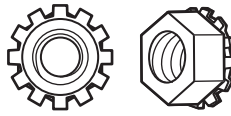
NOTE: The hardware bag contains fasteners for several models. Some fasteners may not be used in the assembly of this model. Refer to the parts list above for the correct sizes and quantities used with this table.



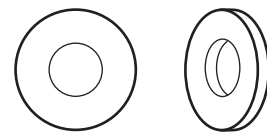
(23) #10-32
KEPS Nut



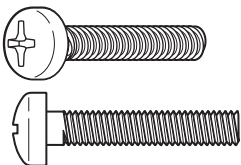
(24) #10-32 ESNA
Stop Nut



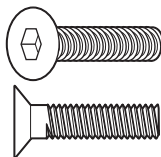
(25) 1/4-20
KEPS Nut



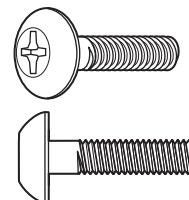
(26) 9/32" ID x 5/8" OD x 1/16"
Thick Washer



(27) #10-32 x 1" Pan-Head
Phillips Machine Screw

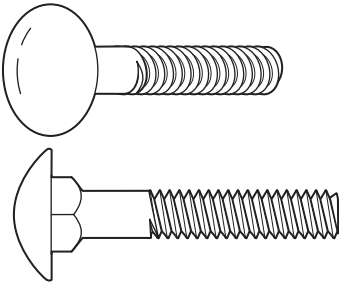


(28) #10-32 x 3/4" Countersunk
Socket-Head Screw

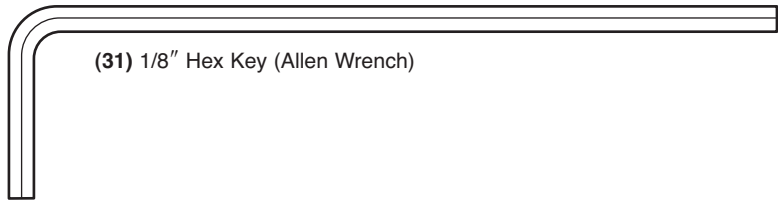


(29) #10-32 x 3/4"
Truss-Head
Phillips Machine Screw

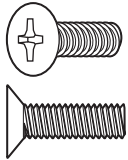
Parts List



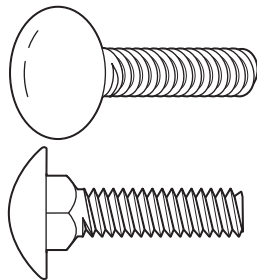
(30) 1/4-20 x 1 1/2" Carriage Bolt



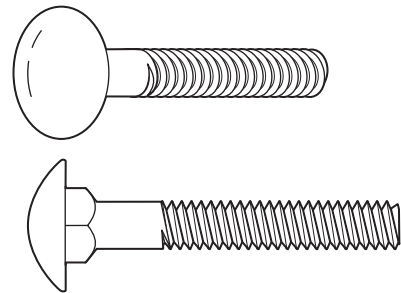
(31) 1/8" Hex Key (Allen Wrench)



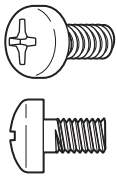
(32) #10-32 x 5/8" Countersunk Phillips Machine Screw



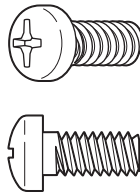
(33) 1/4-20 x 1" Carriage Bolt



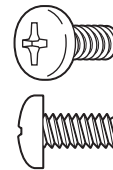
(34) 1/4-20 x 1 3/4" Carriage Bolt



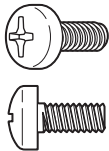
(35) #10-32 x 1/2" Pan-Head Phillips Machine Screw



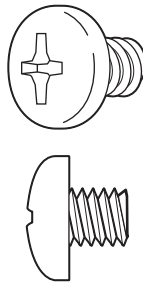
(36) #10-16 x 1/2" Pan-Head Phillips Machine Screw



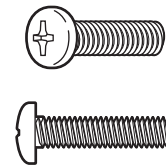
(37) #10-24 x 1/2" Pan-Head Phillips Machine Screw



(38) #8-32 x 1/2" Pan-Head Phillips Machine Screw



(39) 5/16-18 x 1/2" Pan-Head Phillips Machine Screw



(40) M4 x 20 Pan-Head Phillips Machine Screw

Router Table Assembly

ASSEMBLING THE ROUTER TABLE

TABLE LEG INSERTS (Fig. 1)

The router table includes two table leg inserts:

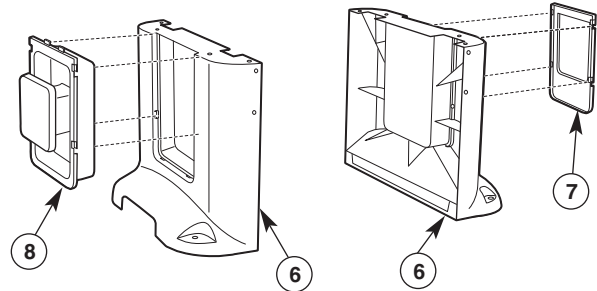
- Leg storage panel (7) for convenient storage of accessories
- Leg cord wrap panel (8)

The table leg inserts must be installed before attaching the tabletop.

1. Place the table leg insert (7 or 8) into the opening in the table leg (6) so that it is positioned at the very top of the opening.
2. Press the insert in so that it is completely flush with the leg.
3. Push the insert down as far as it will go to lock it in place.

NOTE: The cord wrap panel has two tabs at the top of the panel that lock under the table top. These tabs help prevent the panel from coming unhooked when wrapping or unwrapping the cord.

FIG. 1



HELPFUL TOOLS (not included)

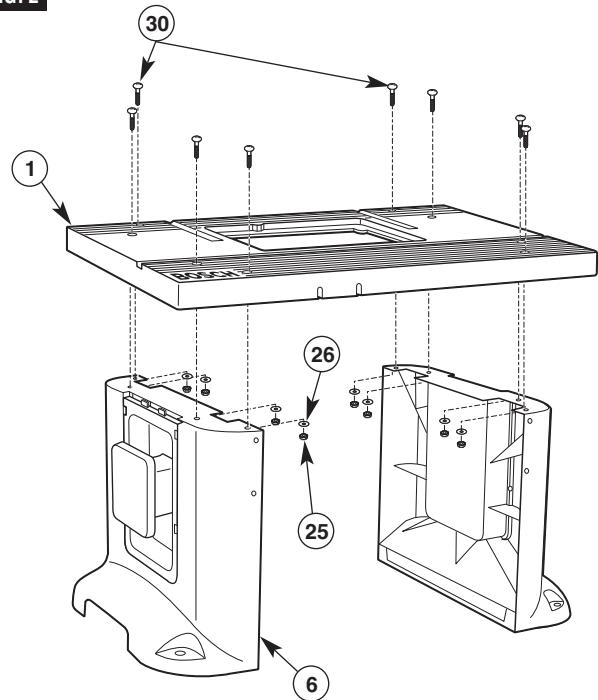
- Phillips screwdriver
- Small sized adjustable wrench
- Tape with adhesive backing (optional)

ROUTER TABLE LEGS (Fig. 2)

1. Insert eight 1/4-20 x 1 1/2" long carriage bolts (30) through the router tabletop (1) as shown in Fig. 2.
2. Assemble the legs (6) to the router table as shown in the figure.
3. Assemble a 9/32" ID x 5/8" OD x 1/16" thick washer (26) and a 1/4-20 KEPS nut (25) onto each of the bolts.
4. Securely tighten the fasteners.

NOTE: It may be easier to assemble the legs by laying the router table on its front or back, or by using adhesive tape over the carriage bolt heads to hold them in place and turning the router table upside down.

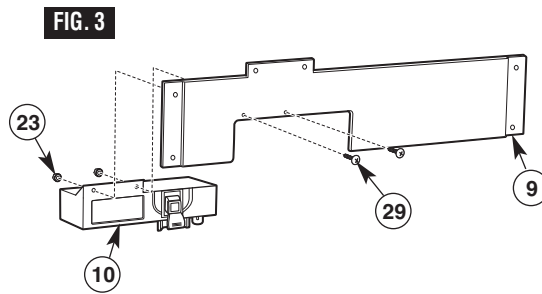
FIG. 2



Router Table Assembly

ATTACH THE SWITCH TO THE FASCIA (Fig. 3)

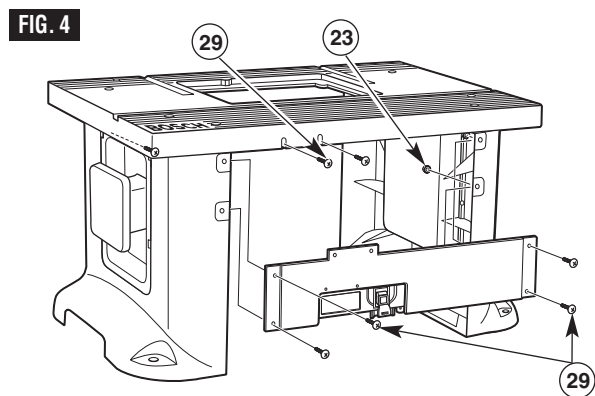
1. Align the two outermost holes on the top of the switch assembly (10) with the holes in the front fascia panel (9), as shown in Fig. 3.
2. Insert two #10-32 KEPS nuts (23) into the hex-shaped recesses in the back of the switch assembly (10), toothed side out, and secure the switch to the fascia panel with two #10-32 x 3/4" truss-head machine screws (29) while holding the KEPS nuts in place in the recess with your finger.



ATTACH THE SWITCH/FASCIA ASSEMBLY TO THE ROUTER TABLE (Fig. 4)

NOTE: The fascia assembles to the inside of both the table legs and the router tabletop.

1. Line up the holes on the fascia panel with the holes in the table legs and the two slots on the front of the router tabletop.
2. Attach the fascia panel to the router table top using two #10-32 x 3/4" truss-head machine screws (29) and two #10-32 KEPS nuts (23), toothed side out, as shown in Fig. 4.
3. Attach the fascia to the legs using four #10-32 x 3/4" truss-head machine screws (29) and four #10-32 KEPS nuts (23), toothed side out, as shown in Fig. 4.
4. TIGHTEN all screws SECURELY.



Router Table Assembly

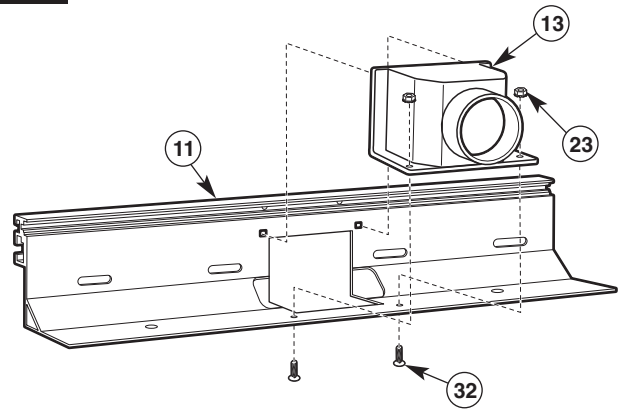
ASSEMBLING THE FENCE

ASSEMBLING THE FENCE (Figs. 5 and 6)

1. Insert the pins molded into the top of the vacuum port (13) into the holes on the rear of the aluminum fence (11), as shown in Fig. 5.
2. From the underside of the fence, insert two #10-32 x 5/8" countersunk machine screws (32) up through the holes in the bottom of the fence and vacuum port. Secure in place with two #10-32 KEPS nuts (23) (Fig. 5).
3. Place the fence (11) right-side up on a flat surface and align the counterbored holes in the fence facings (12) with the slotted holes in the fence. The counterbored side of the facings should face OUT (Fig. 6).
4. Attach both fence facings (12) to the front of the fence, using two 1/4-20 x 1" carriage bolts (33) and two large clamping knobs (14) for each fence facing (Fig. 6).
5. From the front of the overhead guard (15), insert two 1/4-20 x 1 1/2" carriage bolts (30) through the holes in the guard. Slide a spacer (16) on each bolt so that the tabs on the spacers fit into the slots on the guard (Fig. 6).
6. From the front of the fence, insert the carriage bolts through the holes in the top center of the fence. The tabs on the spacers will fit into the top channel on the fence. Secure in place with a small clamping knob (17) on each bolt (Fig. 6).

NOTE: To simplify installation of the router adapter plate and router, do not install the fence onto the router table at this time.

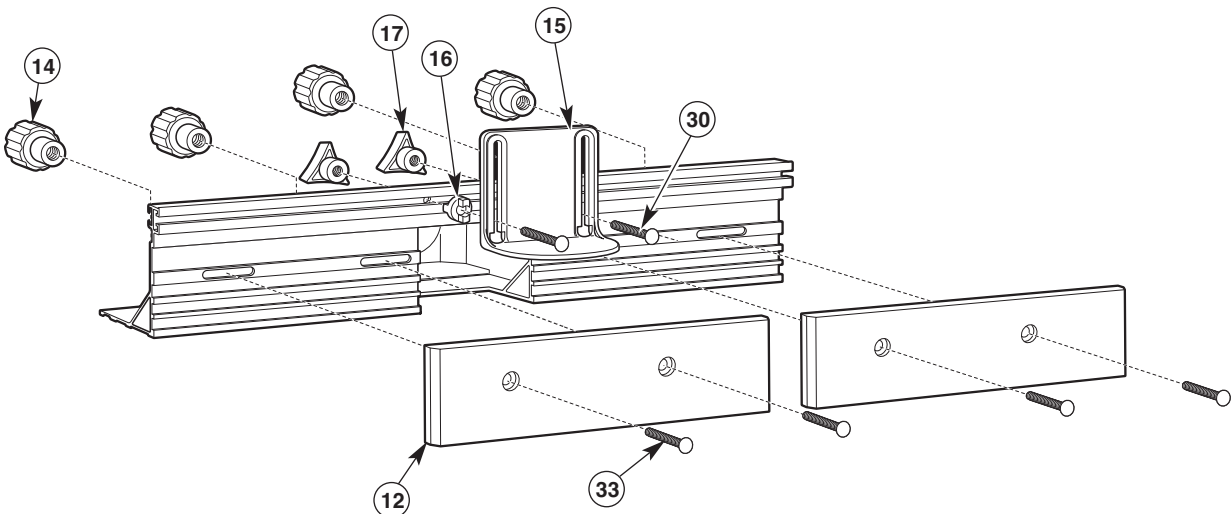
FIG. 5



NOTE: Two plastic jointing shims (18) are included to provide the proper fence offset when jointing. For more about jointing operations and shim placement, see page 28.



FIG. 6



Router Table Assembly

INSTALLING THE ROUTER MOUNTING PLATE

HELPFUL TOOLS

- 1/8" Allen wrench (31) (included)
- Phillips screwdriver (not included)
- Straight edge (not included)
- Small-sized adjustable wrench (not included)

NOTE: The fences must **NOT** be installed on the router table for the following procedures.

PRELIMINARY INSTALLATION OF THE ROUTER MOUNTING PLATE (Figs. 7A–7C)

1. Completely thread a #10-32 ESNA stop nut (24) onto each of the eight #10-32 x 3/4" countersunk socket-head screws (28) as shown in Fig. 7A. The orientation of the stop nut on the screw must be as shown in Fig. 7A.

NOTE: It will be helpful to use the included Allen wrench and an adjustable wrench because the nut has tight-fitting threads.

2. Place the eight assembled screws and nuts into the eight hex-shaped pockets in the recess on the tabletop as shown in Fig. 7B.

The screw threads are to be inserted into the holes at the bottom of the pockets.

3. Place the router mounting plate into the opening in the tabletop so that it rests on the heads of the screws as shown in Fig. 7B.
4. Position a straight edge or level across the mounting plate as shown in Fig. 7C. The straight edge must be long enough to extend completely over the opening in the router tabletop.
5. Insert the Allen wrench through the eight round holes in the mounting plate, engaging the hex socket in the screw heads (Fig. 7C).
6. Raise and lower the mounting plate by turning the screws until the mounting plate is level and flush with the top of the router table.
7. Remove the mounting plate from the tabletop.

NOTE: It may be necessary to make slight adjustments after final installation of the router mounting plate.

FIG. 7A

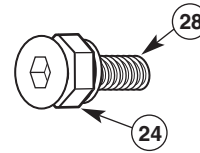


FIG. 7B

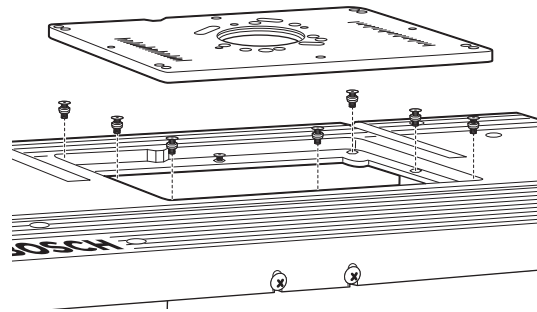
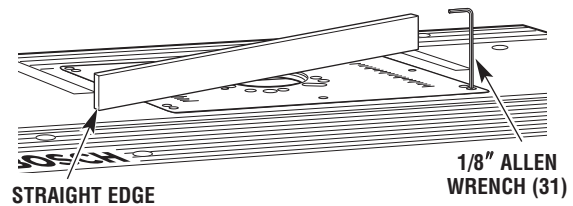


FIG. 7C



Router Table Assembly

⚠ WARNING Before using the router table, verify that the router is securely clamped to the router table base. While working, periodically check the router base fasteners clamping tightness. Router motor vibration can loosen fasteners during use, causing the router to fall from the table.

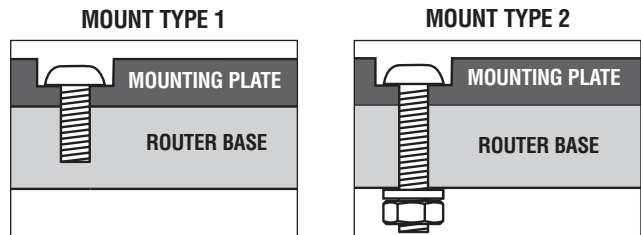
SELECTING THE ROUTER HOLE PATTERN

DETERMINE THE MOUNTING METHOD TO BE USED (see chart on page 16)

If your router model is listed in the chart on page 16, proceed to step 1 below. If it is NOT listed, you must purchase a BOSCH RA1186 Router Adapter Plate, available separately.

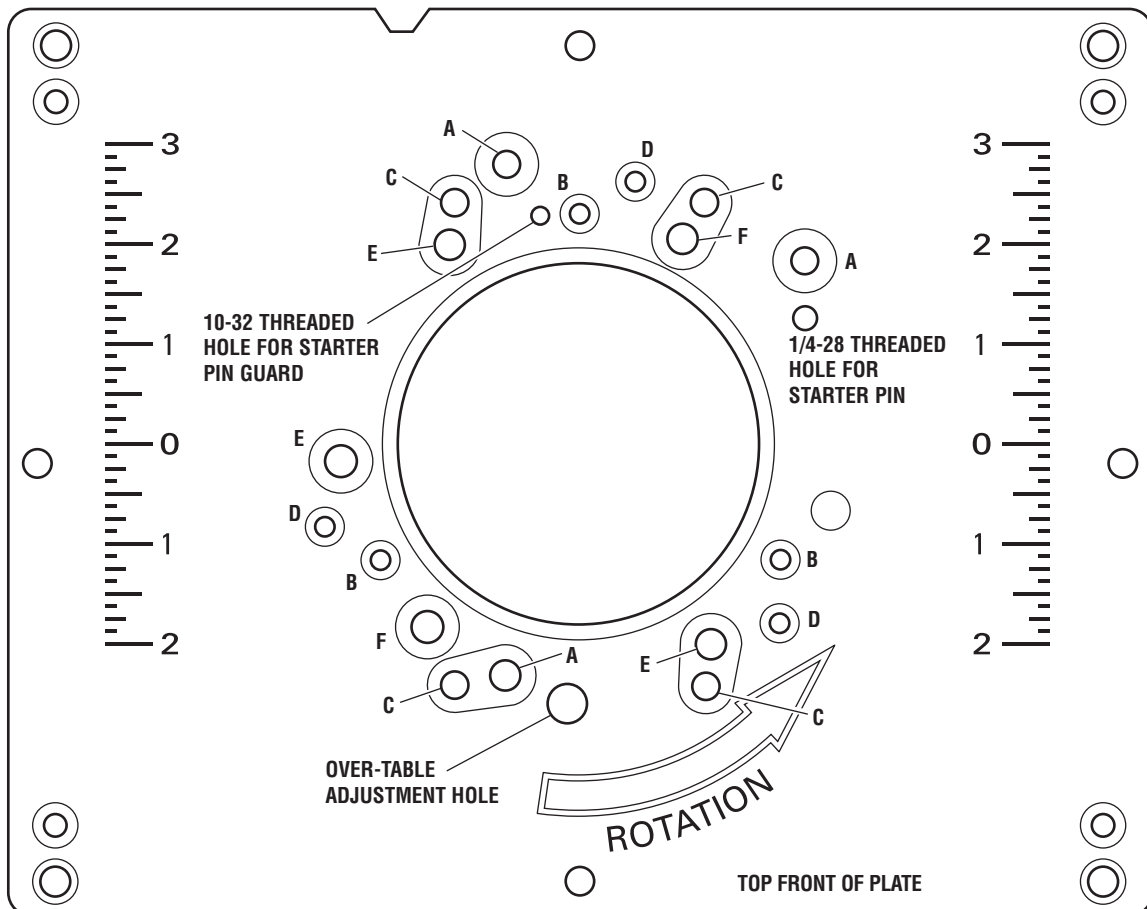
If your router model is listed:

1. Determine the hole pattern that matches the mounting hole pattern for your router.
2. Determine which fasteners you will need to attach the router to the router adapter plate.
3. Determine which mount type (1 or 2) is used for your router model.



MOUNTING PLATE GUIDE FOR COMPATIBLE ROUTERS (Fig. 8)

FIG. 8



Router Table Assembly

CHART 1

Router Brand	Router Model	Hole Pattern	Fasteners Required	Mount Type
Bosch	1613 series	A	#10-16 x 1/2" Pan-head Phillips machine screws (36), washers (26), and 1/4-20 nuts (25)	2
Bosch	1617 series (fixed base models only)	B	#10-24 x 1/2" Pan-head Phillips machine screws (37)	1
Bosch	1619EVS	C	#10-16 x 1/2" Pan-head Phillips machine screws (36), washers (26), and 1/4-20 nuts (25)	2
Bosch	MR Series	B	M4 x 20 Pan-head Phillips machine screws (40)	1
Craftsman	Most Craftsman 1/2" collet routers	E	5/16-18 x 1/2" Pan-head Phillips machine screws (39)	1
DeWalt	DW616, DW618 (fixed base only)	B	#8-32 x 1/2" Pan-head Phillips machine screws (38)	1
Hitachi	M12VC	B	#10-32 x 1/2" Pan-head Phillips machine screws (35)	1
Makita	RF1100, RF1101	B	#10-24 x 1/2" Pan-head Phillips machine screws (37)	1
Milwaukee	5615, 5616	B	#10-24 x 1/2" Pan-head Phillips machine screws (37)	1
Porter-Cable	690 series, 7529 plunge router, and 892-895 series (fixed base only)	B	#10-24 x 1/2" Pan-head Phillips machine screws (37)	1
Ryobi	R161, R162, R163	E	5/16-18 x 1/2" Pan-head Phillips machine screws (39)	1
Ryobi	RE170, RE180 PL	F	5/16-18 x 1/2" Pan-head Phillips machine screws (39)*	1
Skil	1810, 1815, 1820, 1825	D	#10-32 x 1/2" Pan-head Phillips machine screws (35)	1

*RE170 requires the subbase attached for specified fastener length.

ATTACH ROUTER TO MOUNTING PLATE (Figs. 9 and 10)

⚠ WARNING Disconnect the router from the power supply before installing router into the table, making adjustments, changing accessories, removing the router from the table, performing maintenance, or storing the tool. Such precautionary safety measures reduce the risk of unintentional tool operation.

- Remove the plastic subbase from your router (unless otherwise specified in Chart 1) (Fig. 9).
 - If you wish to mount the router with the subbase, you may need to purchase longer fasteners. Using the subbase affects the range of cutting depth.
- If your router has its own dust extraction hood that mounts to the top of the metal router base and you want to use it under the router table, this is a convenient time to install it.
- Using Chart 1, determine the hardware and mount type for your router.
 - For most router models, the screws are driven into threaded holes in the router's base (mount type 1).
 - For some router models, the screws go all the way through the base and are fastened with washers and nuts (mount type 2).
 - Competitor routers are outside of BOSCH's control. Changes made to these routers may affect the compatibility to the fasteners specified and/or supplied with this table.
 - Always make sure the screw is fully seated on the adapter plate and that the router base is firmly against the adapter plate to ensure secure mounting. If the router, plate, and fasteners do not seat together properly, you may need to purchase new fasteners of a different length or size.

⚠ WARNING Before using the router table, verify that the router is securely clamped to the router table base. While working, periodically check the router base fasteners' clamping tightness. Router motor vibration can loosen fasteners during use, causing the router to fall from the table.

- Refer to the mounting plate guide (Fig. 8) on page 15 and align the appropriate mounting plate holes for your router to the router base holes. Make sure that the depth adjustment controls on the router face the front of the mounting plate. Figure 8 shows the proper orientation of the plate when installed on the table.
- Securely mount your router to the mounting plate (Fig. 10).

FIG. 9

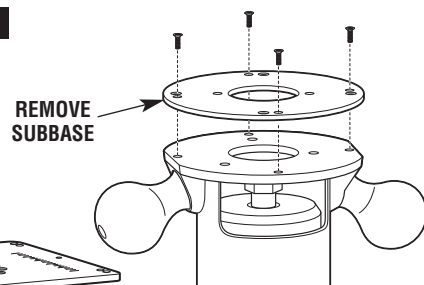
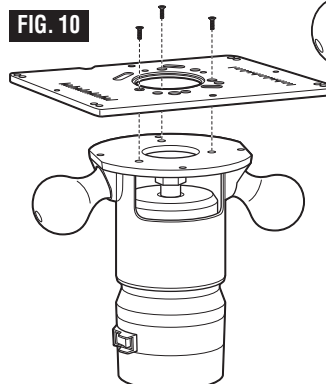


FIG. 10

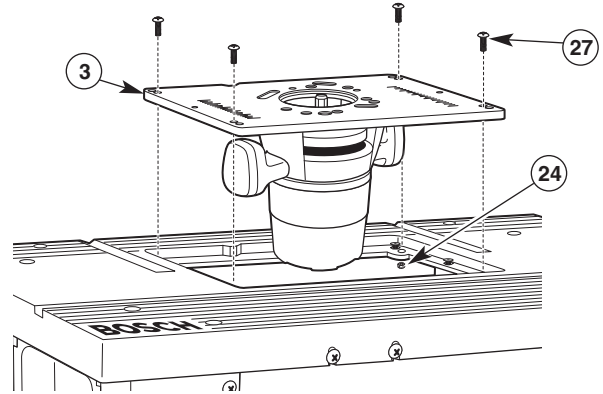


Router Table Assembly

FINAL INSTALLATION OF THE ROUTER MOUNTING PLATE (Fig. 11)

1. Place the router mounting plate, with router attached, on the leveling screws in the tabletop.
NOTE: Be careful not to trap the cord between the router mounting plate and the router tabletop.
2. Recheck the router mounting plate to be sure it is level. If necessary, adjust the leveling screws with the included Allen wrench as needed.
3. Secure the router mounting plate (3) to the table with four #10-32 x 1" pan-head Phillips machine screws (27) through the inner corner holes in the plate and four #10-32 ESNA stop nuts (24) from the underside of the tabletop in the recesses provided (Fig. 11). Tighten the screws snugly, but do not overtighten.

FIG. 11



TO REMOVE THE ROUTER AND/OR ROUTER MOUNTING PLATE

⚠ WARNING Make sure that the router is NOT plugged into a power outlet when installing into the table, removing from table, making adjustments or changing accessories. Router could accidentally start.

THE FENCE MUST BE REMOVED FROM THE ROUTER TABLE WHEN REMOVING OR REINSTALLING THE ROUTER MOUNTING PLATE.

To remove the router without removing the mounting plate, see step 3.

1. Remove the four #10-32 x 1" pan-head Phillips machine screws (27) and four #10-32 ESNA stop nuts (24) holding the router mounting plate to the tabletop (Fig. 11).
2. Lift the router mounting plate and router upwards from the tabletop.
3. Remove the pan-head Phillips machine screws securing the router to the mounting plate.
4. When reinstalling the router mounting plate, be sure that the plate is level with the tabletop. If needed, readjust as described above.

OVER-TABLE HEIGHT ADJUSTMENT

The router adapter plate features an access hole to allow use with the over-table height adjustment feature on the BOSCH 1617 series routers. Refer to your router manual for additional information on using this feature.

For other brands of routers with over-table height adjustment features, it may be necessary to drill an access hole in the router mounting plate as follows:

1. Remove the subbase from the router and align the mounting holes in the subbase with the corresponding mounting holes in the adapter plate. Be sure to orient the subbase so that the router switch will be toward the front of the table.
2. Using a pencil or centerpunch, mark the location of the over-table height adjustment hole on the router adapter plate.
3. Remove the subbase from the adapter plate and carefully drill the over-table height adjustment hole.
4. Make sure that the hole will accommodate the height adjustment tool for your router. Remove any burrs or rough edges with sandpaper.

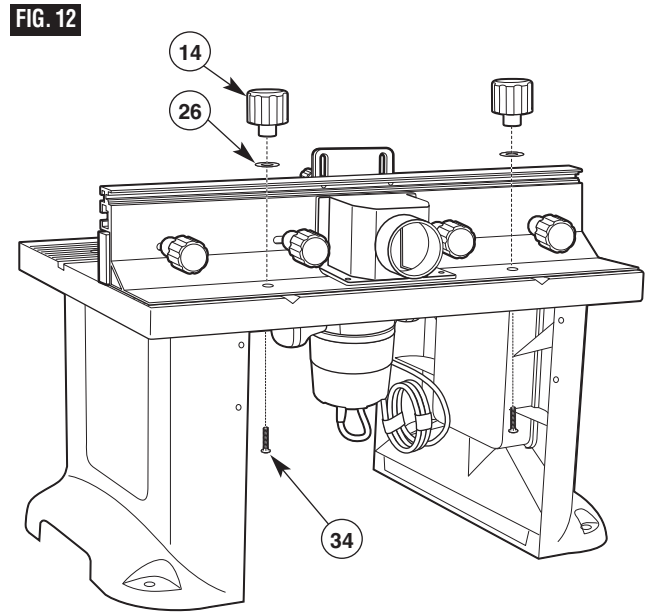
Router Table Assembly

INSTALLING THE FENCE

ATTACHING THE FENCE TO THE TABLE (Fig. 12)

1. From underneath the table, slide two 1/4-20 x 1 3/4" carriage bolts (34) up through the slots in the tabletop and the holes in the bottom of the fence. Slide a washer (26) onto each bolt and loosely attach a large clamping knob (14) onto each bolt.
2. Make sure that the fence assembly slides smoothly from front to back.

NOTE: Use the scale on the tabletop as a guide when aligning the fence for routing operations. Once the fence is positioned and aligned correctly, tighten the clamping knobs **SECURELY**.



Router Table Assembly

MOUNTING THE ROUTER TABLE TO A WORK SURFACE OR WORKBENCH

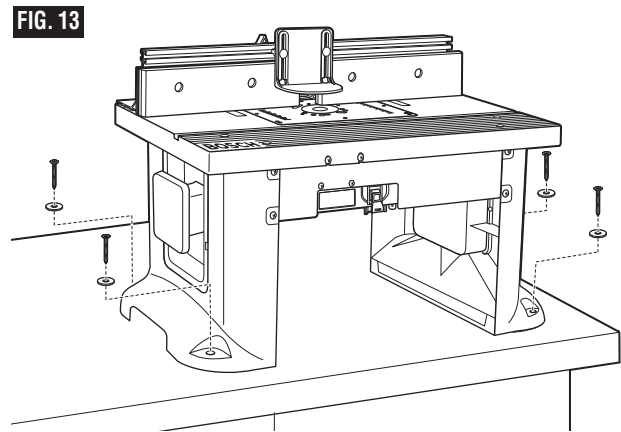
⚠ WARNING Before operating, make sure the entire unit (table with router installed) is placed on and secured to a solid, flat, level surface and will not tip. Use of auxiliary in-feed and out-feed supports is necessary for long or wide workpieces. Long workpieces without adequate support can cause the router table to tip over.

HELPFUL TOOLS AND PARTS (not included)

- Phillips screwdriver
- Small-sized adjustable wrench
- Electric or hand drill with drill bits (depending on mounting method used)
- Fasteners (not included):
 - Four #14, #16, or #18 x 2" pan-head wood screws (for solid wood work surfaces or workbenches), or
 - Four 5/16" pan-head machine screws, washers, and hex nuts, or
 - C-clamps

METHOD 1 (Fig. 13)

1. Set the router table on a workbench or other stable and sturdy surface, with the FRONT (switch side) of the router table facing toward you.
2. While holding the router table in the desired position, mark the location of the four mounting holes (one in each corner).
3. Remove the router table from the workbench and set it aside.
4. Drill a 1/8" pilot hole (for wood screws) or an appropriately sized hole (for machine screws) at the marked locations.
5. Place the router table on the workbench and align the mounting holes in the router table legs with the holes drilled in the workbench.
6. Secure the router table in place using wood screws and washers (not provided) or machine screws, washers, and nuts (not provided). If using wood screws, applying a little bar soap or bees wax to the screw threads will make it easier to thread the screws into the pilot holes.
7. TIGHTEN all screws SECURELY.

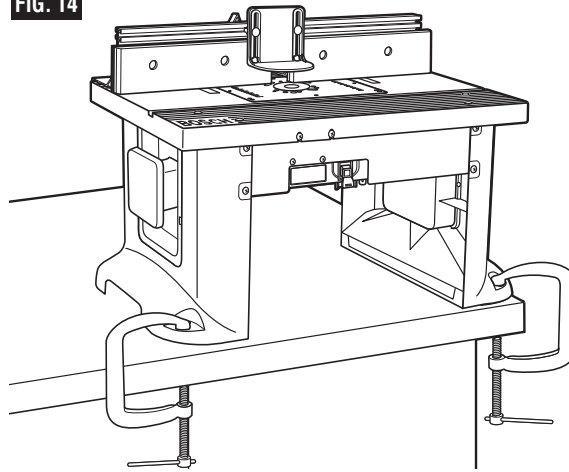


Router Table Assembly

METHOD 2 (Fig. 14)

1. Set the router table on a workbench or other stable and sturdy surface, with the FRONT (switch side) of the router table facing toward you.
2. Secure the router table legs to the workbench with clamps, making sure to tighten them SECURELY. **IMPORTANT:** Be sure the placement of the clamps will not interfere with operation of the router table.

FIG. 14



ALTERNATE METHOD (Figs. 15 and 16)

1. Cut a board 18 $\frac{1}{4}$ " wide by 29" long from a piece of 3/4" thick plywood or other flat stock.
2. Set the router table on the board, with the FRONT (switch side) of the router table facing toward you, so that the spacing between the router table legs and the edges of the board is equal on all sides.
3. While holding the router table in the desired position, mark the location of the four mounting holes (one in each corner).
4. Remove the router table from the board and set it aside.
5. Drill a 1/8" pilot hole (for wood screws) at the marked locations.
6. Place the router table on the board and align the mounting holes in the router table legs with the holes drilled in the board.
7. Secure the router table in place using wood screws and washers (not provided). Applying a little soap to the screw threads will make it easier to thread the screws into the pilot holes.
8. TIGHTEN all screws SECURELY.
9. Place the router table on a workbench or other stable and sturdy surface. Firmly secure the board to the workbench with screws (Fig. 15), clamps (Fig. 16), or other suitable means.

FIG. 15

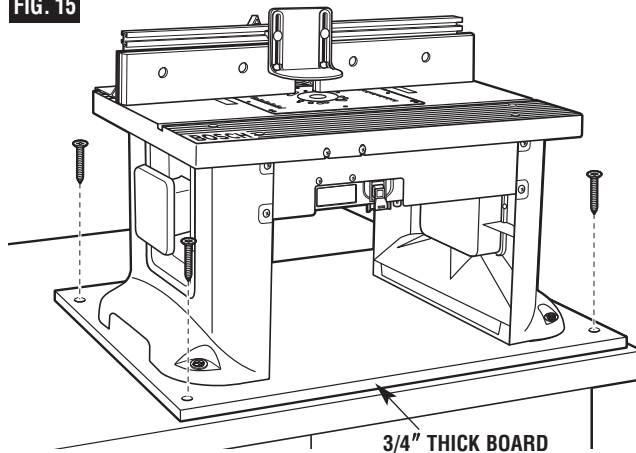
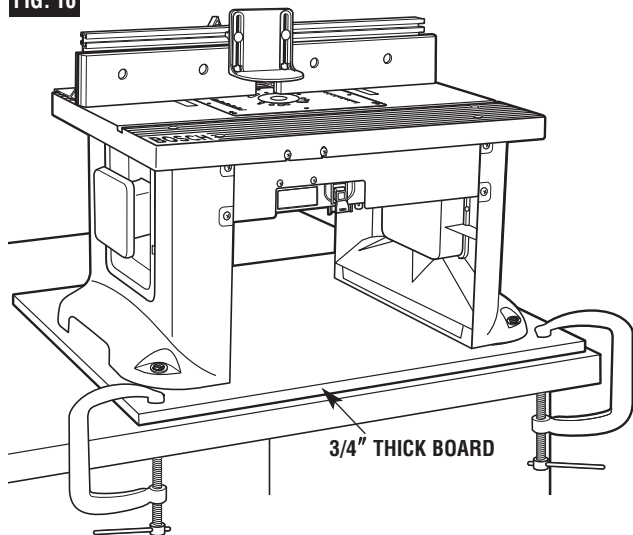


FIG. 16



Router Table Assembly

⚠ WARNING Disconnect the router from the power supply before installing router into the table, making adjustments, changing accessories, removing the router from the table, performing maintenance, or storing the tool. Such precautionary safety measures reduce the risk of unintentional tool operation.

TABLETOP INSERT RINGS (Fig. 17)

This router table includes three insert rings with the following hole sizes:

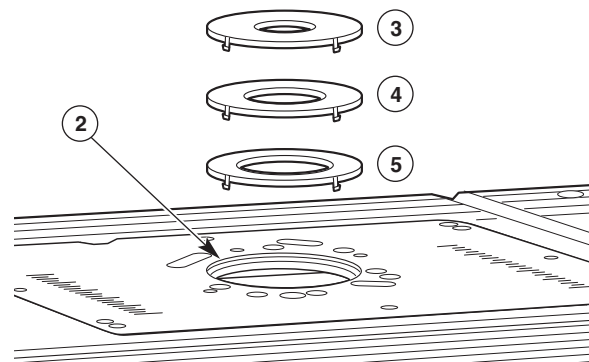
- (3) 1" in diameter, for use with bits with diameters up to $\frac{7}{8}$ "
- (4) 2" in diameter, for use with bits with diameters up to $1\frac{7}{8}$ "
- (5) $2\frac{3}{4}$ " in diameter, for use with bits with diameters up to $2\frac{5}{8}$ "

No insert ring is used for bits with diameters over $2\frac{5}{8}$ " and up to $3\frac{1}{2}$ ".

⚠ WARNING Do not use the router table with bits over $3\frac{1}{2}$ " in diameter. Bits larger than $3\frac{1}{2}$ " exceed the clearance hole in the tabletop insert rings. Bits larger than $3\frac{1}{2}$ " can contact insert plate or insert ring, throwing fragments.

⚠ WARNING Do not alter tabletop insert ring or insert plate bit hole. Match the cutting diameter of the bit to the inner diameter of the insert ring or insert plate bit hole such that the difference is no less than $\frac{1}{16}$ " on a side. Insert rings are meant to reduce the gap between the cutting diameter of the bit and table so that workpieces maintain full support of the table while routing.

FIG. 17



TO INSTALL TABLETOP INSERT RINGS (Fig. 17):

1. Select the insert ring (3–5) that best accommodates the router bit to be used.
2. Press the insert ring (3–5) into the large hole in the router mounting plate (2). If the fence is in the way, loosen the clamping knobs on the fence support brackets and slide the fence back out of the way.
3. Press down evenly over the tabs until the insert ring (3–5) locks into place.
4. To remove, pull up gently until the tabs disengage. When not in use, store insert rings (3–5) behind the storage panel (7) in the table leg or in another convenient place.

⚠ WARNING Do not use, attempt to change, or remove tabletop insert rings from the tabletop unless the router is off and unplugged. Such precautionary safety measures reduce the risk of unintentional tool operation.

Router Table Operation

SWITCH CONTROL BOX

⚠ WARNING Do not plug router motor power cord into standard wall outlet. It **must be plugged into the router table switch**. Power tool switches and controls need to be within your reach in emergency situations.

GENERAL INFORMATION

The power switch is designed for use with most BOSCH Router Tables. It provides the convenience of an ON (RESET)-OFF switch at the front of the table, thus eliminating the need to reach underneath the table to turn the router ON and OFF.

The power switch also provides an optional simultaneous ON-OFF control of an additional accessory, such as a light, wet/dry vac, etc. The switch has an internal, resettable circuit breaker to provide overload protection.

ELECTRICAL REQUIREMENTS

The switch box cord should only be plugged into a 14-gauge (or heavier), three-wire extension cord with a three-hole grounding receptacle and three-prong grounding plug. The extension cord must be plugged into a matching outlet that has been installed by a licensed electrician and grounded in accordance with all local codes and ordinances.

DAMAGED OR WORN EXTENSION CORDS ARE NOT TO BE USED AND ARE TO BE REPLACED IMMEDIATELY.

The electrical outlets at the back of the switch box will accept three-hole extension cords.

The electrical receptacles at the back of the switch box will accept either three-prong or two-prong plugs from a router or accessory.

In the event of a malfunction or breakdown, grounding provides the path of least resistance for electrical current in order to reduce the risk of electrical shock. This switch box is equipped with an electrical cord that has an equipment-grounding connector and a grounding plug.

DO NOT modify the plug from the switch if it does not plug into the extension cord. Obtain an extension cord with the proper outlet.

Improper connection of the equipment-grounding conductor can result in risk of an electrical shock.

The conductor with insulation that has a green outer surface, with or without yellow stripes, is the equipment-grounding conductor.

DO NOT CONNECT THE EQUIPMENT-GROUNDING CONDUCTOR TO A LIVE TERMINAL.

Check with a licensed electrician if the grounding instructions are not completely understood or if there is doubt as to whether the electrical outlet or extension cord is properly grounded.

⚠ WARNING Do not permit fingers to touch terminals of the plug when inserting or removing the plug from the outlet. Risk of Electric Shock.

⚠ WARNING Use the switch box only when properly assembled to the router table. Use only with a router that has also been properly installed on a properly assembled router table. Such precautionary safety measures reduce the risk of injury due to loss of control.

⚠ WARNING Do not exceed a total combined rating of 15 amps when connecting the router and any accessories such as a light or wet/dry vacuum. The switch has a rating of 15 amps.

CONNECTING THE ROUTER POWER CORD TO THE SWITCH

⚠ WARNING Before connecting router to router table switch box, ensure that the router switch is OFF, and that the router table switch box is unplugged. Such precautionary safety measures reduce the risk of unintentional tool operation.

1. Plug the router power cord into one of the electrical outlets on the back of the switch box (10).
2. Form the excess power cord into a coil.
3. Wrap two pieces of friction tape or strong cord around the coiled cord at opposite sides of the coil.
4. Allow some slack so that the cord does not become stretched when it is plugged into the switch box outlets.
5. If desired, at this time plug the power cord from an accessory, such as a wet/dry vac or light, into the other outlet.

⚠ WARNING Before starting to work, ensure that the power cords from the router, accessories, the switch case, and the extension cord do not and cannot come in contact with the router or any moving parts of the router. Such precautionary safety measures reduce the risk of injury due to loss of control.

Router Table Operation

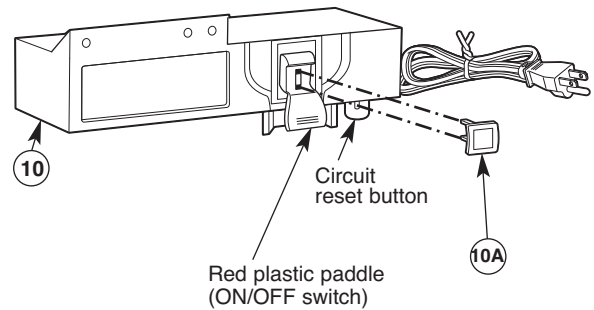
SWITCH OPERATION (Fig. 18)

This section explains the operation and features of the switch box assembly prior to plugging the power cord into a power outlet. The intent is to familiarize the user with the switch operation without actually turning ON the router.

The switch box (10) (Fig. 18) incorporates a lockout key (10A) to help prevent unauthorized use by others.

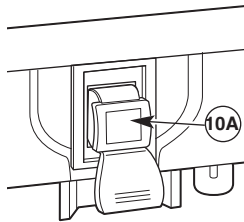
- The lockout key (10A) is the yellow part in the top of the red plastic paddle. The yellow lockout key **must be completely** inserted into the top of the red plastic paddle and switch box (10) before the paddle can be turned ON.
- The circuit reset button for the switch box (10) is on the bottom right side of the box.

FIG. 18

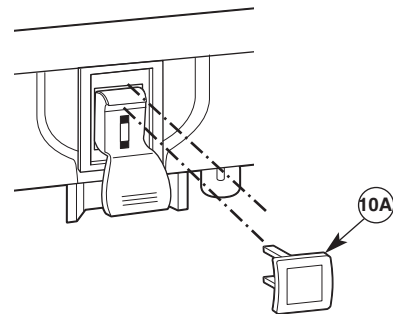


⚠ WARNING Make sure that the extension cord is not plugged into an electrical outlet before proceeding any further.

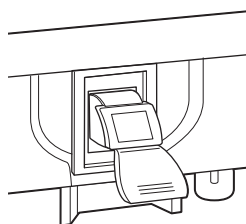
1. Make sure the yellow lockout key (10A) is completely inserted in the top of the red plastic paddle.



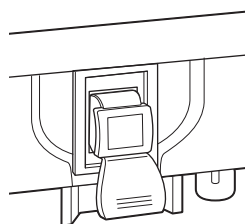
4. To prevent unauthorized use, the switch can be disabled by removing the yellow lockout key (10A) completely from the top of the red plastic paddle.



2. To turn the router ON, lift the red plastic paddle up to the ON position.
3. To turn the router OFF, press the red plastic paddle to the OFF position.



ON
(UP)



OFF
(DOWN)

Router Table Operation

⚠ WARNING Before proceeding any further, make sure the switch on the router is in the OFF position and the switch lever is in the OFF position.

⚠ WARNING Never leave the router unattended while it is running or before it comes to a complete stop.

⚠ WARNING Before starting to work ensure that the power cords from the router, accessories, the switch case, and the extension cord do not and cannot come in contact with the router or any moving parts of the router. Such precautionary safety measures reduce the risk of injury due to loss of control.

The switch power cord can now be plugged into the extension cord.

ROUTER AND SWITCH OPERATION

This section explains operation of the switch with the power cord plugged into the extension cord.

The router will turn ON when the red paddle on the switch box is pulled up to the ON position.

1. Position the ON/OFF switch on the router in the ON position. On certain routers this will require the use of the switch trigger and “LOCK-ON” button. (Consult router owner’s manual.) **Make sure the switch on the switch case is in the OFF position when doing this.**
2. To turn the router ON, pull up the red paddle to the ON position. See page 23.
3. To turn the router OFF, press the red paddle to the OFF position. See page 23.

CIRCUIT RESET BUTTON

NOTE: In the event of an overload, the internal switch circuit breaker will trip the switch to the OFF position. This will interrupt power to the router and any accessory plugged into the switch itself. **If this occurs, proceed as follows:**

1. Push the red plastic paddle to the OFF position and unplug the switch cord from the wall outlet or extension cord.

2. Turn router switch to OFF position.
3. Remove the workpiece from the router table.
4. Correct the cause of the overload situation. For example, if too many accessories are plugged into the switch, or combined amperage exceeds the switch rating, remove the accessory. Other causes include the removal of too much stock or use of too high a feed rate.
5. Press the circuit reset button on the bottom of the switch box.
6. Plug the switch power cord into the wall outlet or extension cord.
7. Restart the router as described in the section **ROUTER AND SWITCH OPERATION** on this page.

⚠ WARNING If the switch case does not work and you have tried to RESET the circuit reset button as described above:

- Unplug ALL electrical connections.
- Remove the switch from the router table and obtain a replacement switch by calling BOSCH customer service at 1-877-BOSCH99.

WHEN THE ROUTER TABLE IS NOT IN USE

1. Make sure the switch is in the OFF position.
2. Remove the lockout key (10A). See page 23.
3. **Store the lockout key in a safe location where it is not available to children and other unauthorized persons.**
4. Unplug the switch power cord from the wall outlet or extension cord.
5. Remove the router bit from the router.
6. Position the router collet assembly below the top of the router table.

NOTE: If the key should become lost or damaged, replacement keys are available by calling BOSCH customer service at 1-877-BOSCH99.

INSTALLING AND USING A WET/DRY VACUUM

⚠ WARNING Before connecting vacuum to router table switch box, ensure that the vacuum switch is OFF, and that the router table switch box is unplugged. Such precautionary safety measures reduce the risk of unintentional tool operation.

⚠ WARNING Do not exceed a total combined rating of 15 amps when connecting the router and any accessories such as a light or wet/dry vacuum. The switch has a rating of 15 amps.

The guard/dust collector assembly has a port for connecting a wet/dry vac hose with a 2½” nozzle. To attach, simply push the nozzle into the port while holding the fence assembly in place.

⚠ CAUTION Operating the router table without a wet/dry vacuum can result in an excessive buildup of sawdust and wood chips under the fence assembly and guard, reducing the performance of the router table and fence assembly.

RECOMMENDATION: To maximize performance, regardless of whether a wet/dry vac is being used, remove the sawdust and wood chips from under the fence assembly and overhead guard as needed.

RECOMMENDATION: It is always a good practice to keep the work area clean. As necessary, remove any accumulated sawdust and wood chips from the top of the router table, as well as from the surrounding work area and floor.

⚠ WARNING Never place your fingers near a spinning bit or under the guard when the router is plugged in. Such precautionary safety measures reduce the risk of personal injury.

Router Table Operation

INSTALLING THE ROUTER BIT (CUTTER)

⚠ WARNING Disconnect the router from the power supply before making adjustments or changing accessories. Such precautionary safety measures reduce the risk of unintentional tool operation.

Install the router bit according to the instructions included with your router. Because of the large variation of router bits, certain router bits may not always operate in the desired manner with this router table.

To ensure that the most popular bits will perform satisfactorily, install the bit so that the router collet engages 3/4" of the router bit shank. If the shank of the router bit bottoms out in the collet, back out the router bit approximately 1/16" to allow for proper tightening.

NEVER INSTALL ROUTER BITS WITH LESS THAN 3/4" OF SHANK ENGAGEMENT IN THE COLLET.

ASSEMBLING THE FEATHERBOARDS (Figs. 19–21)

NOTE: The top/front side of each featherboard is marked to indicate proper feed direction.

Fence Featherboard (Figs. 19 and 20)

1. Insert two 1/4-20 x 1 1/2" carriage bolts (30) through the slotted holes in the featherboard (19). See Fig. 19.
2. Slide a large washer (26) onto each carriage bolt and thread a small clamping knob (17) three or four turns onto each carriage bolt.
3. To install on the fence, slide a spacer (16) over the head of each carriage bolt, aligning the tabs on the spacer with the slot in the featherboard (Fig. 20). Then slide the carriage bolt heads into the T-slot on the top of the fence.

Tabletop Featherboard (Fig. 21)

1. Insert two 1/4-20 x 1 1/2" carriage bolts (30) through the slotted holes in the featherboard (19).
2. Slide a large washer (26) onto each carriage bolt and thread a small clamping knob (17) three or four turns onto each carriage bolt.
3. To install the featherboard in the miter channel on the tabletop, insert the heads of the carriage bolts into the desired pair of keyhole slots on the tabletop (located in the miter channel). Then tighten the clamping knobs securely.

FIG. 19

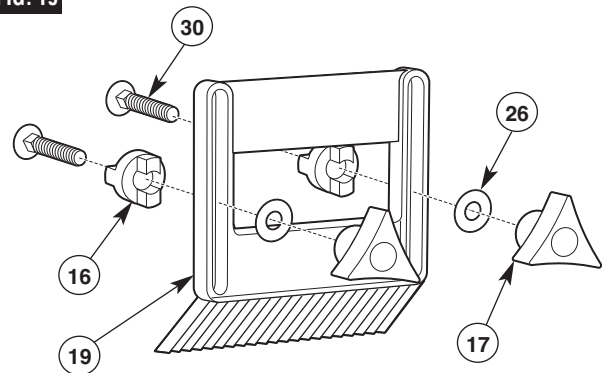


FIG. 20

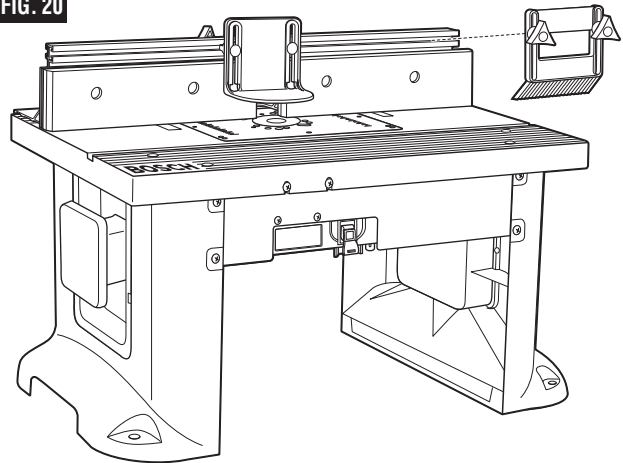
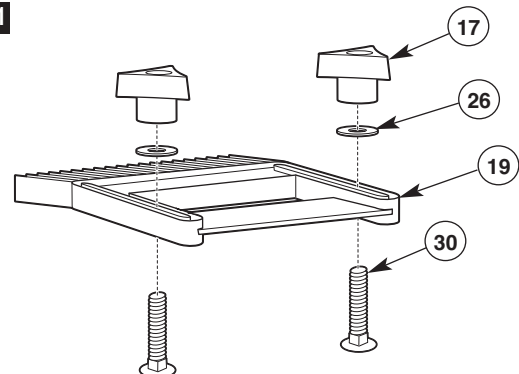


FIG. 21



Router Table Operation

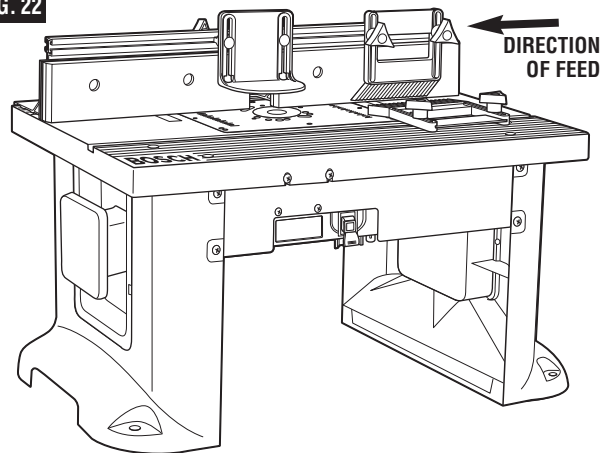
ROUTING USING FEATHERBOARDS (Fig. 22)

Featherboards are helpful in controlling the workpiece while routing and assist in keeping the workpiece flat on the tabletop. The table featherboard, combined with the fence featherboard, helps keep the workpiece pressed against the fence and tabletop. The best location for the featherboards varies according to your application, workpiece size, and other factors.

1. Loosely install the featherboard(s) as described on page 25.
2. Place the workpiece on the router table so that it is squarely against the fence.
3. Position the featherboard so that the featherboard is snug against the workpiece and tighten the clamping knobs.
4. The workpiece should move with some resistance but without requiring a great effort.
5. For wider workpieces, the tabletop featherboard cannot be used. The second featherboard may also be positioned on the fence, if desired.

Additional featherboards, model RA1187, can be purchased from your Bosch retailer.

FIG. 22



⚠ WARNING Never let go of the workpiece when routing until the cut has been completed and the workpiece is completely clear of the bit. Such precautionary safety measures reduce the risk of personal injury and/or property damage.

- Featherboards aid in holding the workpiece in position when routing on a router table.
- They are NOT intended to hold the workpiece in place alone when the workpiece is in contact with the bit, or at any other time when the bit is turning.

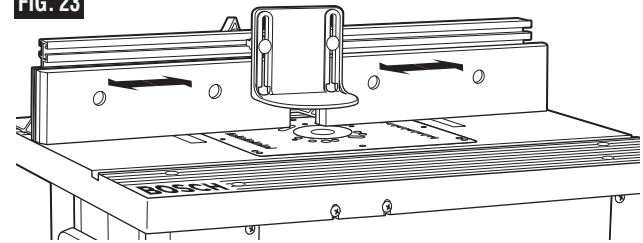
⚠ WARNING For accuracy in routing and improved control, the workpiece should be held against the router table fence when routing.

ADJUSTING THE FENCE FACING (Fig. 23)

The right and left fence facings are attached to the front face of the router table fence and can be adjusted inward or outward from the router bit to allow proper clearance for different-sized bits. To provide the best support during routing operations, the fence facings should be as close to the bit as possible without being able to come in contact with the bit (typically about 1/4" from the bit is a suitable distance).

1. Loosen the two clamping knobs on the backs of the fence facings and slide the facings inward or outward from the router bit as needed.

FIG. 23



⚠ WARNING Always hold the workpiece against the router table fence when routing.

Such precautionary safety measures increase the accuracy in routing and improve the control of the workpiece, reducing the risk of personal injury.

2. Once the fence facings are in the desired position, tighten the clamping knobs **SECURELY**.

Router Table Operation

ADJUSTING DEPTH AND HEIGHT OF CUT (Fig. 24)

1. Select a board that is smooth and straight, with good square edges.
2. Mark lines "A" and "B" on the end of the board, as shown in Detail 24.
 - Line "A" indicates the desired *height of cut*.
 - Line "B" indicates the desired final *depth of cut*.
 - The area outlined by "A," "B," and the edge of the board is the area that will be cut away.
3. Following the instructions that came with your router, adjust the router height of cut until the top of the router bit lines up with line "A."
4. If the desired depth of cut can be cut in a single pass, loosen the fence clamping knobs and move the fence forward or backward until the outermost cutting edge of the router bit is aligned with line "B." It may be necessary to reposition the guard to provide clear access.

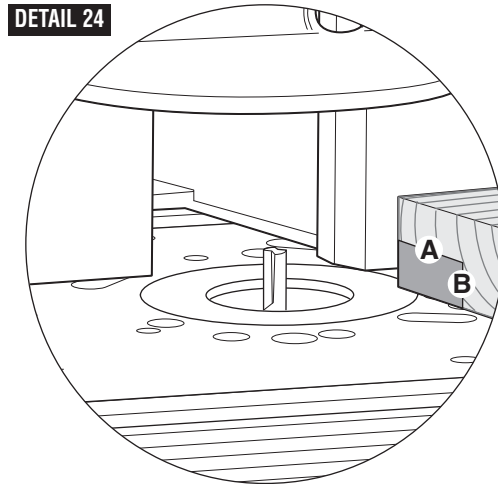
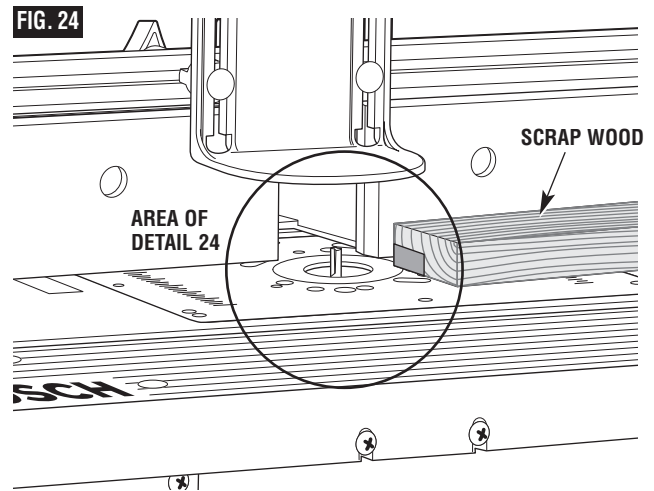
NOTE: For deeper cuts, do NOT attempt to make the cut in a single pass. Make multiple shallower passes, progressively moving the fence backward until the desired depth of cut is reached.

5. Use the scales on the tabletop as a guide to align the fence; then **SECURELY** tighten both fence clamping knobs.

⚠ WARNING Always make sure that the fence and guard cannot come in contact with the router bit. Failure to do so will result in damage to the router table and can cause personal injury.

6. Once all adjustments have been made, double-check that:
 - The router is **SECURELY** tightened in the router base.
 - The router bit is **SECURELY** tightened in the router collet, with at least 3/4" shank engagement.
 - The router base is **SECURELY** tightened to the router mounting plate.
7. Remove the board from the table.

NOTE: When making adjustments, use a piece of scrap wood to make trial cuts before making the cut with the actual workpiece.



Router Table Operation

FULL EDGE CUTTING OR JOINTING (Figs. 25 and 26)

For maximum strength and accuracy, boards that are to be joined together should be smooth and true. The edges should be true to the workpiece surface. You can true the edges using the router table with a straight bit.

NOTE: Use the jointing shim(s) to provide continuous support for the workpiece as it is fed past the router bit.

⚠ WARNING Always make sure that the fence and guard cannot come in contact with the router bit. Failure to do so will result in damage to the router table and can cause personal injury.

1. Loosen the clamping knobs on the left fence facing.
2. Align the slot in the jointing shim(s) with the holes in the fence facing, and slide the jointing shim(s) between the fence and the left fence facing (Fig. 25).
- Use one jointing shim for a 1/16" offset, or both jointing shims for a 1/8" offset.
3. Install a straight bit in the router.
4. Position both fence facings so that they clear the bit by 1/4".
5. Tighten the four clamping knobs holding the fence facings in place.
6. Place a straight edge or a straight piece of wood on the table so that it rests against the left fence facing.
7. Move the fence back until the straight edge lines up with the cutting edge of the bit and is still in contact with the left fence facing.
8. Tighten the clamping knobs.
9. Remove the straight edge or board.
10. Adjust the height of the bit so that it will cut the complete thickness of the workpiece.
11. Position the featherboards, if desired. See ROUTING USING FEATHERBOARDS on page 26.
12. Remove the board from the table and lower the overhead guard to the operating position. Tighten the guard clamping knobs SECURELY.
- NOTE:** When making adjustments, use a piece of scrap wood to make trial cuts before making the cut with the actual workpiece.
13. Make sure that both the router and switch box are OFF; then plug the router into the switch box.

FIG. 25

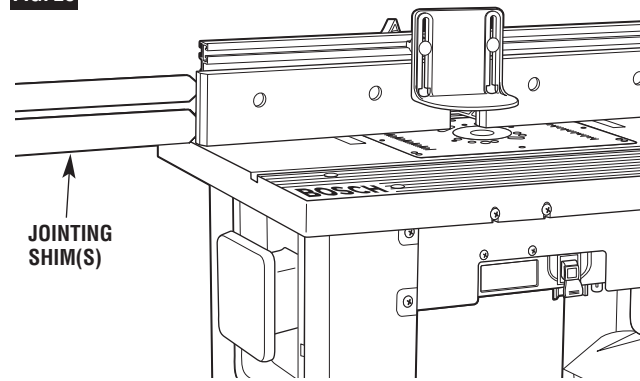
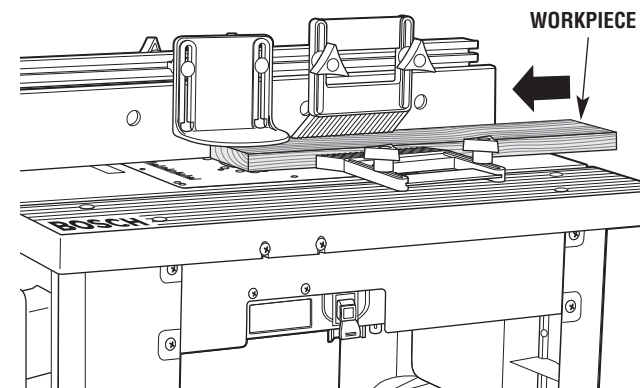


FIG. 26



14. While firmly holding a piece of scrap wood against the fence and down against the router table, feed a piece of scrap wood toward the bit in the direction shown by the arrow in Fig. 26.
15. Using the switch box, turn the router OFF. If any adjustments are needed, unplug the power cord and repeat steps 6–11 until all adjustments are correct. Once you are satisfied with all settings, make the cut with the actual workpiece.

Router Table Operation

EDGE CUTTING WITH NONPILOTED ROUTER BITS (Figs. 27 and 28)

⚠ WARNING Disconnect the router from the power supply before making adjustments or changing accessories. Such precautionary safety measures reduce the risk of unintentional tool operation.

NOTE: If the jointing shim is installed, remove it before proceeding.

When using NONPILOTED router bits, the fence is used to set the depth of cut. For deep cuts, do not try to cut the total depth all in one pass. Repeat the cut, taking multiple smaller cuts.

1. Install the desired bit in the router.
2. Follow the instructions on page 27 to set the desired depth of cut and height of cut (Fig. 27). Make sure that the fence and router are **SECURELY** in place.
3. Position both fence facings so that they clear the bit by 1/4".
4. Tighten the four clamping knobs holding the fence facings in place.
5. Position the featherboards, if desired. See **ROUTING USING FEATHERBOARDS** on page 26.
6. Remove the board from the table and lower the overhead guard to the operating position. Tighten the guard clamping knobs **SECURELY**.

NOTE: When making adjustments, use a piece of scrap wood to make trial cuts before making the cut with the actual workpiece.

7. Make sure that both the router and switch box are **OFF**; then plug the router into the switch box.
8. While firmly holding a piece of scrap wood against the fence and down against the router table, feed a piece of scrap wood toward the bit in the direction shown by the arrow in Fig. 28.
9. Using the switch box, turn the router **OFF**. If any adjustments are needed, unplug the power cord and repeat steps 2–8 until all adjustments are correct. Once you are satisfied with all settings, make the cut with the actual workpiece.

FIG. 27

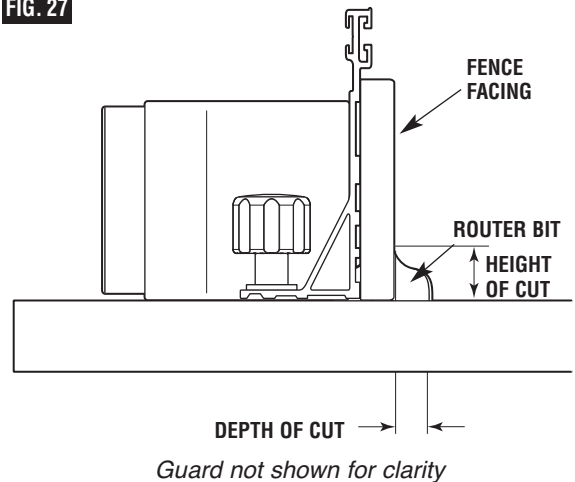
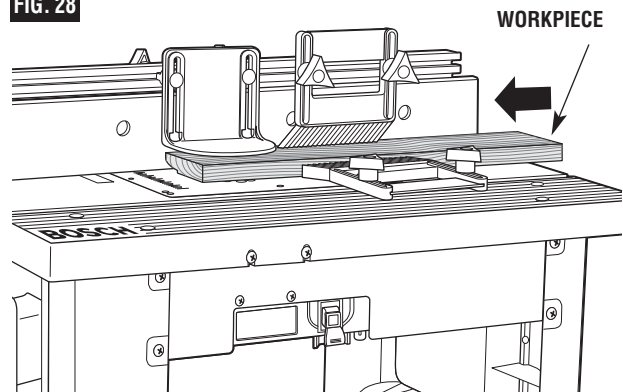


FIG. 28



Router Table Operation

EDGE CUTTING WITH PILOTED ROUTER BITS (Figs. 29 and 30)

⚠ WARNING Disconnect the router from the power supply before making adjustments or changing accessories. Such precautionary safety measures reduce the risk of unintentional tool operation.

NOTE: If the jointing shim is installed, remove it before proceeding.

1. Install the desired piloted bit in the router.
2. Follow the instructions on page 27 to set the desired height of cut (Fig. 29). Make sure that the router is **SECURELY** in place.
3. Adjust the router table fence back just enough that the pilot on the router bit will control the depth of cut. The router bit pilot should just barely protrude past the fence facings. Tighten the fence clamping knobs **SECURELY**.
4. Position both fence facings so that they clear the bit by 1/4".
5. Tighten the four clamping knobs holding the fence facings in place.
6. Remove the board from the table and lower the overhead guard to the operating position. Tighten the guard clamping knobs **SECURELY**.
NOTE: When making adjustments, use a piece of scrap wood to make trial cuts before making the cut with the actual workpiece.
7. Make sure that both the router and switch box are **OFF**; then plug the router into the switch box.
8. While firmly holding a piece of scrap wood against the fence and down against the router table, feed a piece of scrap wood toward the bit in the direction shown by the arrow in Fig. 30.
9. Using the switch box, turn the router **OFF**. If any adjustments are needed, unplug the power cord and repeat steps 2–8 until all adjustments are correct. Once you are satisfied with all settings, make the cut with the actual workpiece.

FIG. 29

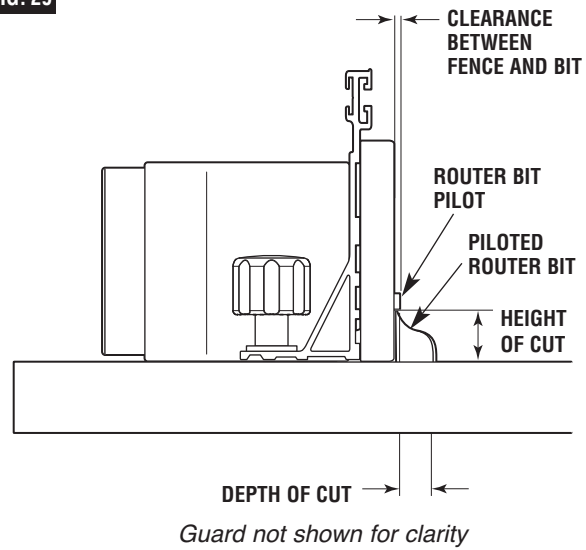
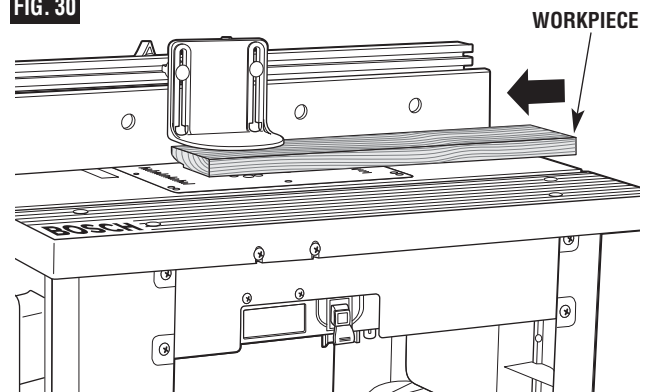


FIG. 30



Router Table Operation

GROOVING, FLUTING, AND VEINING (Figs. 31 and 32)

⚠ WARNING Disconnect the router from the power supply before making adjustments or changing accessories. Such precautionary safety measures reduce the risk of unintentional tool operation.

NOTE: If the jointing shim is installed, remove it before proceeding.

When performing these routing operations, the use of featherboards and a push shoe is recommended.

For best results and maximum accuracy, the side of the workpiece that will be against the fence must be square and straight.

If you are using a wet/dry vac, it should be connected to the vac port on the back of the table cabinet.

1. Install the desired end-cutting bit in the router.
2. Follow the instructions on page 27 to set the desired depth of cut (location of cut) and height of cut (Fig. 31). Make sure that the fence and router are **SECURELY** in place.

IMPORTANT: For deep cuts, do not try to cut the total depth (controlled by the router bit height) all in one pass. Repeat the cut, taking smaller cuts until the desired depth is reached.

3. Position both fence facings so that they provide continuous support of the workpiece.
4. Tighten the four clamping knobs holding the fence facings in place.
5. Position the featherboards, if desired. See **ROUTING USING FEATHERBOARDS** on page 26.
6. Remove the board from the table and lower the overhead guard to the operating position. Tighten the guard clamping knobs **SECURELY**.

NOTE: When making adjustments, use a piece of scrap wood to make trial cuts before making the cut with the actual workpiece.

7. Make sure that both the router and switch box are **OFF**; then plug the router into the switch box.
8. While firmly holding a piece of scrap wood against the fence and down against the router table, feed a piece of scrap wood toward the bit in the direction shown by the arrow in Fig. 32.
9. Using the switch box, turn the router **OFF**. If any adjustments are needed, unplug the power cord and repeat steps 2–8 until all adjustments are correct. Once you are satisfied with all settings, make the cut with the actual workpiece.

FIG. 31

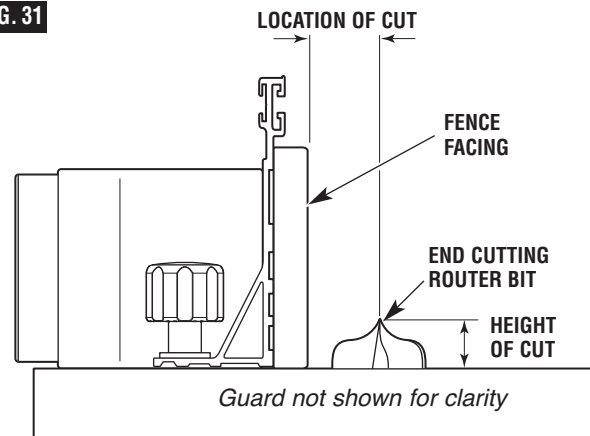
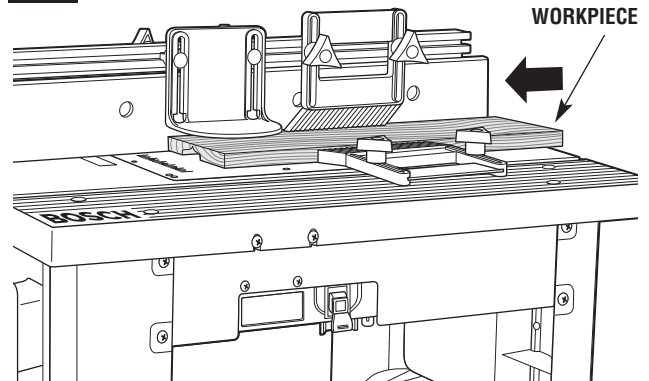


FIG. 32



Router Table Operation

USING THE STARTER PIN FOR EDGE FORMING OF CURVES

The starter pin (20) is used instead of the fence for operations that involve routing curves in the workpiece. It should be used only with bits that have pilot bearings. Thread the starter pin into the threaded hole in the mounting plate and tighten securely with a slotted screwdriver (Fig. 33).

Attach the starter pin guard (21) to the mounting plate by threading a #10-32 x 3/8" truss-head machine screw (22) through the hole in the guard post and into the threaded hole in the mounting plate. Align the guard with the hole in the mounting plate so it is over the bit and securely fasten the guard in place.

- Always use the starter pin guard when routing with the starter pin.
- When using the starter pin, the feed direction of the workpiece is always right to left across the front of the bit (Fig. 34).
- Set the workpiece against the front of the starter pin and swing it slowly into the bit.
- While routing, make sure the workpiece is always in contact with the bit's pilot bearing.

⚠ WARNING Use starter pin guard for this type of operation. Do not attempt to rout very small workpieces. Keep fingers clear of spinning bit.

FIG. 33

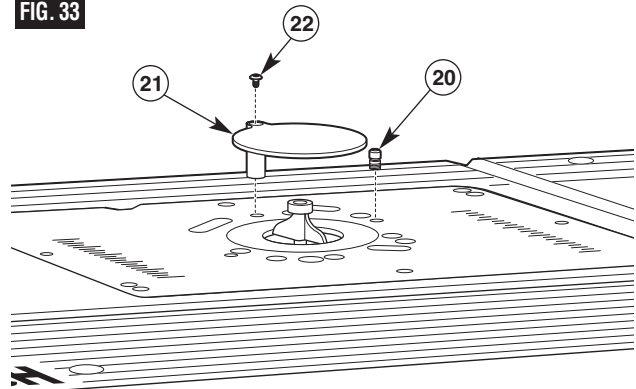
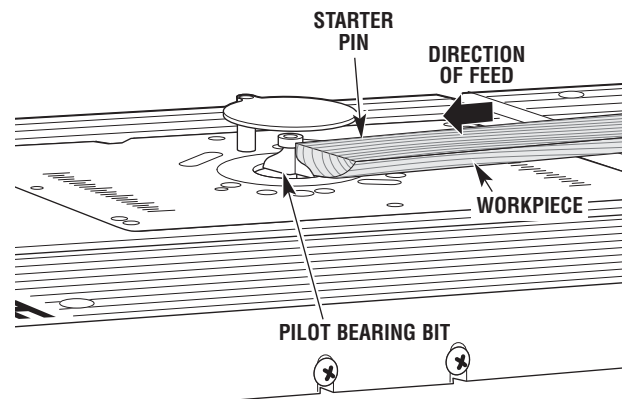


FIG. 34

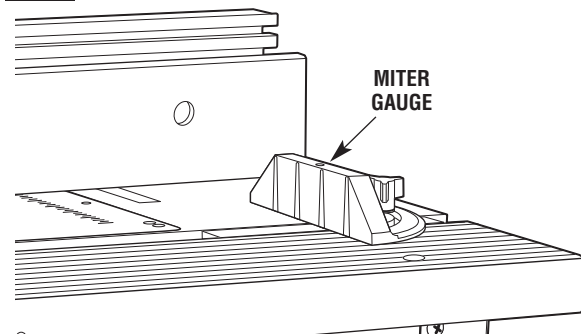


USING A MITER GAUGE (not supplied)

The aluminum miter gauge slot may be used with most stationary table saw miter gauges that measure 3/4" wide x 3/8" deep.

NOTE: For ALL routing operations requiring the use of the miter gauge with the fence, BE SURE to align the fence using the scales on the top of the router table before making any cuts. Miters can be cut by loosening the knob on the protractor head, turning the protractor head up to 60° in either direction and retightening the protractor head knob.

FIG. 35



Notes

Table des Matières

CONSIGNES DE SÉCURITÉ

IMPORTANTS	34-37	Assemblage de la table à toupie	43-53
Liste de pièces	38-42	Fonctionnement de la table à toupie ...	54-65

Consignes de sécurité générales concernant les outils électriques



AVERTISSEMENT Vous devez lire et comprendre toutes les instructions de votre outil et pour l'utilisation de cette table à toupie avec votre toupie. Le non-respect, même partiel, des instructions ci-après entraîne un risque de blessures graves.

CONSERVEZ CES INSTRUCTIONS

Aire de travail


Veillez à ce que l'aire de travail soit propre et bien éclairée. Le désordre et le manque de lumière favorisent les accidents.

N'utilisez pas d'outils électriques dans une atmosphère explosive, par exemple en présence de liquides, de gaz ou de poussières inflammables. Les outils électriques créent des étincelles qui pourraient enflammer les poussières ou les vapeurs.

Tenez à distance les curieux, les enfants et les visiteurs pendant que vous travaillez avec un outil électrique. Ils pourraient vous distraire et vous faire faire une fausse manœuvre.

Sécurité électrique

Les outils avec mise à la terre doivent être branchés sur une prise installée correctement et reliée à la terre conformément à toutes les normes et décrets. **N'enlevez jamais la fiche de terre et ne modifiez jamais la prise. N'utilisez jamais d'adaptateur de prise. Si vous n'êtes pas sûr que votre prise est correctement reliée à la terre, consultez un électricien.** Si l'outil présente une avarie électrique ou tombe en panne, le circuit de terre sert de chemin à faible résistance pour conduire le courant et l'empêcher de passer à travers l'utilisateur. Un outil incorrectement relié à la terre risque de causer un choc électrique, des brûlures ou une électrocution. Les outils avec mise à la terre sont munis d'un cordon à trois fils et d'une prise à trois fiches. *Avant de brancher l'outil, assurez-vous que la tension de la prise correspond, à celle indiquée sur la plaque signalétique. N'utilisez pas d'outils prévus pour courant alternatif seulement avec une source de courant continu.*

Les outils à double isolation sont équipés d'une fiche polarisée (une des lames est plus large que l'autre), qui ne peut se brancher que d'une seule façon dans une prise polarisée. Si la fiche n'entre pas parfaitement dans la prise, inversez sa position; si elle n'entre toujours pas bien, demandez à un électricien qualifié d'installer une prise de courant polarisée. **Ne modifiez pas la fiche de l'outil.** La double isolation  élimine le besoin d'un cordon d'alimentation à trois fils avec mise à la terre ainsi que d'une prise de courant mise à la terre. *Avant de brancher l'outil, assurez-vous que la tension de la prise correspond, à celle indiquée sur la plaque signalétique. N'utilisez pas d'outils prévus pour courant alternatif seulement avec une source de courant continu.*

Évitez tout contact corporel avec des surfaces mises à la terre (tuyauterie, radiateurs, cuisinières, réfrigérateurs, etc.).

Le risque de secousse électrique est plus grand si votre corps est en contact avec la terre. Si l'utilisation de l'outil électrique dans un endroit humide est inévitable, un disjoncteur de fuite à la terre doit être utilisé pour alimenter votre outil. Des chaussures et des gants en caoutchouc d'électricien contribueront à accroître davantage votre sécurité personnelle.

N'exposez pas les outils électriques à la pluie ou à l'eau. La présence d'eau dans un outil électrique augmente le risque de secousse électrique.

Ne maltraitez pas le cordon. Ne transportez pas l'outil par son cordon et ne débranchez pas la fiche en tirant sur le cordon. N'exposez pas le cordon à la chaleur, à des huiles, à des arêtes vives ou à des pièces en mouvement. Remplacez immédiatement un cordon endommagé. Un cordon endommagé augmente le risque de secousse électrique.

Lorsque vous utilisez un outil électrique à l'extérieur, employez une rallonge pour l'extérieur marqué « W-A » ou « W ». Ces cordons sont faits pour être utilisés à l'extérieur et réduisent le risque de secousse électrique. Reportez-vous aux « Information important sur des cordons de rallonge ».

Sécurité des personnes

Restez alerte, concentrez-vous sur votre travail et faites preuve de jugement. N'utilisez pas un outil électrique si vous êtes fatigué ou sous l'influence de drogues, d'alcool ou de médicaments. Un instant d'inattention suffit pour entraîner des blessures graves.

Laissez les gardes en place. Gardez-les en place, en bon état et bien réglés.

Méfiez-vous d'un mise en marche accidentel. Avant de brancher l'outil, assurez-vous que son interrupteur est sur ARRÊT. Le fait de transporter un outil avec le doigt sur la détente ou de brancher un outil dont l'interrupteur est en position MARCHE peut mener tout droit à un accident.

Enlevez les clés de réglage ou de serrage avant de mettre en marche l'outil. Une clé laissée dans une pièce tournante de l'outil peut provoquer des blessures.

Ne vous penchez pas trop en avant. Maintenez un bon appui et restez en équilibre en tout temps. Une bonne stabilité vous permet de mieux réagir à une situation inattendue.

Portez toujours des lunettes de sécurité (protection de la tête). Portez des lunettes de sécurité (conformes à la norme ANSI Z87.1). Portez des souliers de travail non dérapants et un casque, si nécessaire. Portez également un masque facial ou à poussière si l'opération de coupe soulève de la poussière, et des protecteurs d'oreille (bouchons ou casque) si vous utilisez votre instrument longtemps.

Utilisation et entretien des outils

Immobilisez le matériau sur une surface stable au moyen de brides ou de toute autre façon adéquate. Le fait de tenir la pièce avec la main ou contre votre corps offre une stabilité insuffisante et peut amener un dérapage de l'outil.

Ne forcez pas l'outil. Utilisez l'outil approprié à la tâche. L'outil correct fonctionne mieux et de façon plus sécuritaire. Respectez aussi la vitesse de travail qui lui est propre.

N'utilisez pas un outil si son interrupteur est bloqué. Un outil que vous ne pouvez pas commander par son interrupteur est dangereux et doit être réparé.

Débranchez la fiche de l'outil avant d'effectuer un réglage, de changer d'accessoire ou de ranger l'outil. De telles mesures préventives de sécurité réduisent le risque de mise en marche accidentel de l'outil.

Laissez les gardes en place. Gardez-les en place, en bon état et bien réglés.

Rangez les outils hors de la portée des enfants et d'autres personnes inexpérimentées. Les outils sont dangereux dans les mains d'utilisateurs novices.

Ne laissez pas fonctionner l'outil sans surveillance. Assurez-vous que l'outil est complètement arrêté AVANT DE VOUS ÉLOIGNER.

Prenez soin de bien entretenir les outils. Les outils de coupe doivent être toujours bien affûtés et propres. Des outils bien entretenus, dont les arêtes sont bien tranchantes, sont moins susceptibles de coincer et plus faciles à diriger. Toute altération ou modification constitue un usage erroné et peut causer un danger.

Soyez attentif à tout désalignement ou coincement des pièces en mouvement, à tout bris ou à toute autre condition

préjudiciable au bon fonctionnement de l'outil. Si vous constatez qu'un outil est endommagé, faites-le réparer avant de vous en servir. De nombreux accidents sont causés par des outils en mauvais état. Élaborez un calendrier d'entretien périodique de votre outil.

N'utilisez que des accessoires que le fabricant recommande pour votre modèle d'outil. Certains accessoires peuvent convenir à un outil, mais être dangereux avec un autre.

Réparation

La réparation des outils électriques doit être confiée à un réparateur qualifié. L'entretien ou la réparation d'un outil électrique par un amateur peut avoir des conséquences graves. Ainsi, des fils internes peuvent être mal placés ou pincés, des ressorts de rappel de garde peuvent être montés erronément.

Pour la réparation d'un outil, n'employez que des pièces de rechange d'origine. L'emploi de pièces non autorisées ou le non-respect des instructions d'entretien peut créer un risque de secousse électrique ou de blessures. Certains agents nettoyants tels qu'essence, tétrachlorure de carbone, ammoniac, etc., peuvent abîmer les pièces en plastique.

Consignes de sécurité supplémentaires pour la table à toupie

Ne soulevez la table à toupie que par ses bords. Si vous soulevez la table par toute autre surface, il pourrait en résulter des blessures corporelles.

N'utilisez pas la table à toupie avant que toutes les étapes de montage et d'installation n'aient été effectuées. Avant chaque utilisation, vérifiez que les attaches et les pinces de maintien de la toupie soient bien serrées. Une table ou une toupie desserrée est instable et peut se déplacer pendant l'utilisation, ce qui peut provoquer des dommages à la propriété ou des blessures corporelles graves.

Débranchez la toupie de l'alimentation électrique avant d'installer cette toupie sur la table, d'effectuer des réglages, de changer d'accessoires, de retirer la toupie de la table, d'effectuer la maintenance ou encore lors du rangement de l'outil. De telles mesures de sécurité préventives réduisent le risque d'une mise en marche involontaire de l'outil.

Ne branchez pas le cordon d'alimentation du moteur de la toupie dans une prise murale standard. Le cordon d'alimentation de la toupie doit toujours être branché à la boîte de commutation de la table à toupie. Les interrupteurs et commandes des outils électriques doivent être à votre portée en cas d'urgence.

Vos doigts ne doivent pas toucher les bornes de la fiche lorsque vous branchez ou débranchez celle-ci de la prise. Risque de choc électrique.

Avant de connecter votre toupie ou votre aspirateur à la boîte de commutation de la table à toupie, assurez-vous que l'aspirateur est éteint et que la boîte de commutation de la table à toupie est débranchée. De telles mesures de sécurité préventives réduisent le risque d'une mise en marche involontaire de l'outil.

Avant d'utiliser votre table à toupie, vérifiez que la toupie est correctement fixée à la base de la table à toupie. Lorsque vous travaillez, vérifiez périodiquement le serrage de la fixation de la base de la toupie. Les fixations du moteur peuvent se desserrer à cause des vibrations causées par les opérations de coupe et le moteur de la toupie peut se détacher de la table à toupie.

Avant de commencer à travailler, assurez-vous que les cordons d'alimentation des accessoires de toupie et de la boîte de commutation ainsi que la rallonge ne sont pas et ne peuvent pas entrer en contact avec la toupie ou toute pièce rotative de la toupie. De telles mesures de sécurité préventives réduisent le risque de blessure par perte de contrôle.

N'utilisez pas la table à toupie sans le garde supérieur sauf si le retrait du garde est requis pour une opération de coupe particulière. Remettez le garde en place immédiatement après avoir terminé l'opération de coupe. Retirez toute poussière, copeau de bois et autre particule étrangère qui peut affecter son efficacité. Le garde permet d'éviter le contact accidentel des mains avec la fraise en rotation.

N'utilisez pas de fraise ayant un diamètre de coupe supérieur au trou de dégagement de la plaque amovible ou de la bague amovible du plateau de la table. La fraise pourrait toucher la plaque ou la bague amovible et projeter des fragments.

N'utilisez jamais de fraise émoussée ou endommagée. Les fraises endommagées peuvent se casser pendant l'utilisation. Les fraises émoussées nécessitent davantage de force pour pousser la pièce à travailler, ce qui peut causer la rupture de la fraise ou le rebond du matériau.

Manipulez les fraises acérées avec précaution. De telles mesures de sécurité préventives réduisent le risque de blessure.

Ne modifiez pas le trou de fraise de la plaque ou de la bague amovible. Faites correspondre le diamètre de coupe de la fraise avec le diamètre interne de la bague ou plaque amovible de façon à ce que la différence soit inférieure à 1/16 po sur un côté. Les bagues amovibles sont utilisées pour réduire l'espace entre le diamètre de coupe d'une fraise et la table pour que les pièces à travailler reposent entièrement sur la table lors du toupillage.

Installez la fraise conformément aux instructions données dans le manuel d'utilisation de la toupie. Attachez fermement la fraise dans le mandrin à pince avant de couper. Le fait de fixer correctement la fraise avant toute coupe réduit le risque que la fraise ne se desserre pendant son utilisation.

Ne placez jamais vos doigts près d'une fraise en rotation ou sous le garde lorsque la toupie est branchée. De telles mesures de sécurité préventives réduisent le risque de blessure.

Ne tenez jamais la pièce à travailler du côté sortie de la fraise. Le fait de pousser la pièce contre le côté sortie du guide peut provoquer le bourrage du matériau et un rebond potentiel qui pourrait entraîner votre main vers la fraise.

Consignes de sécurité supplémentaires pour la table à toupie

Utilisez le guide pour guider la pièce à travailler et pour garder le contrôle de cette même pièce. Ne placez pas la pièce entre la fraise et le guide lorsque vous toupillez le bord de la pièce. Ce positionnement peut provoquer un coincement du matériau et un risque de rebond.

Les toupies sont conçues pour travailler le bois, les matières semblables au bois, le plastique ou les matières laminées. N'utilisez pas la toupie et la table à toupie pour découper ou façonner des pièces métalliques. Assurez-vous que la pièce ne contient pas de clou ou autre objet dur. Le découpage de clou peut entraîner la perte de contrôle de l'outil ou de la pièce.

Ne démarrez jamais l'outil lorsque la fraise est engagée dans le matériau. Le bord tranchant de la fraise peut accrocher le matériau et entraîner la perte de contrôle de la pièce à travailler.

Avancez la pièce à travailler seulement dans le sens opposé à la rotation de la fraise. Ne faites pas revenir la pièce vers la fraise. Vu depuis le dessus de la table, la fraise tourne dans le sens inverse des aiguilles d'une montre. Si la pièce revient vers la fraise, elle peut « monter » sur la fraise, ce qui entraînera la pièce à travailler et potentiellement votre main vers la fraise en rotation.

Ne faites pas avancer votre pièce à travailler vers la fraise si la majorité de la pièce se trouve entre le guide et la fraise. Ceci crée un coincement contre le guide qui provoque une situation dangereuse avec la fraise exposée. La pièce peut alors être poussée de la table et peut entraîner une perte de contrôle pendant la coupe.

Ne coupez pas les matériaux déformés, branlants ou autrement instables. La table à toupie est conçue pour découper des pièces planes, droites et perpendiculaires. Si le matériau est stable mais légèrement courbé, coupez-le avec le côté concave placé contre la table ou le guide. Le fait de couper le matériau avec le côté concave vers le haut ou en direction opposée à la surface d'appui peut provoquer une perte de contrôle suite au roulement et au rebond du matériau déformé ou instable.

Utilisez des supports auxiliaires d'entrée et de sortie pour les pièces longues ou larges. Les pièces de grandes dimensions qui ne sont pas soutenues correctement peuvent tomber de la table ou faire basculer cette dernière.

Utilisez des poussoirs, des guides biseautés montés à la verticale et à l'horizontale et autres serre-joints pour maintenir la pièce. Ces poussoirs, guides biseautés et serre-joints éviteront que les mains ne se trouvent à proximité de la fraise pour tenir la pièce.

Ne lâchez jamais la pièce à travailler pendant le toupillage avant que la coupe ne soit terminée et que la pièce à travailler ne soit complètement dégagée de la fraise. De telles mesures de sécurité préventives réduisent le risque de blessure et de dommages à la propriété. Les guides biseautés permettent de maintenir la pièce à travailler en position lors du toupillage sur une table à toupie. Ils ne sont pas conçus pour maintenir, à eux seuls, la pièce à travailler lorsque cette pièce entre en contact avec la fraise ou à tout autre moment où la fraise est en rotation.

Veillez toujours maintenir la pièce à travailler contre le guide lorsque vous toupillez. De telles mesures de sécurité préventives augmentent la précision du toupillage et améliorent le contrôle de la pièce à travailler, réduisant ainsi le risque de blessure.

Ne laissez jamais la toupie sans surveillance si elle est en marche ou si elle n'est pas complètement arrêtée. De telles mesures de sécurité préventives réduisent le risque de blessure et de dommages à la propriété.

N'utilisez pas la table comme établi ou plan de travail. En utilisant votre table pour tout autre but que de toupiller, vous risquez de l'endommager et de rendre son utilisation dangereuse.

Ne montez jamais sur la table et ne l'utilisez jamais comme une échelle ou un échafaudage. La table pourrait basculer ou l'outil de coupe pourrait être accidentellement touché.

Lorsque vous effectuez l'entretien de votre outil, n'utilisez que des pièces de rechange recommandées par Bosch. Veuillez suivre les instructions dans la section Maintenance de ce manuel. L'utilisation de pièces non autorisées ou le non-respect des consignes de maintenance peut provoquer des blessures corporelles.

Les travaux à la machine tel que ponçage, sciage, meulage, perçage et autres travaux du bâtiment peuvent créer des poussières contenant des produits chimiques qui sont des causes reconnues de cancer, de malformation congénitale ou d'autres problèmes reproductifs. Ces produits chimiques sont, par exemple :

- Le plomb provenant des peintures à base de plomb
- Les cristaux de silices provenant des briques, du ciment, et d'autres produits de maçonnerie
- L'arsenic et le chrome provenant des bois traités chimiquement

Le niveau de risque dû à cette exposition varie avec la fréquence de ces types de travaux. Pour réduire l'exposition à ces produits chimiques, il faut travailler dans un lieu bien ventilé et porter un équipement de sécurité approprié tel que certains masques à poussière conçus spécialement pour filtrer les particules microscopiques.

Emplacement du guide et sens d'avance incorrects

⚠ AVERTISSEMENT Ne faites pas avancer votre pièce à travailler vers la fraise si la majorité de la pièce se trouve entre le guide et la fraise. Ceci crée un « coincement du guide » qui est dangereux pour deux raisons :

- Le devant de la fraise est exposé lors de la coupe (Fig. A).
- La fraise peut monter où la fraise pénètre dans la pièce à travailler dans la même direction que la direction d'engagement. La pièce peut alors être poussée de la table et peut entraîner une perte de contrôle pendant la coupe (Fig. A).

⚠ AVERTISSEMENT Avancez la pièce à travailler seulement dans le sens opposé à la rotation de la fraise. Ne faites pas revenir la pièce à travailler dans la fraise. Vu depuis le dessus de la table, la fraise tourne dans le sens inverse des aiguilles d'une montre. Le retour de la pièce vers la fraise est dangereux pour deux raisons :

- Elle peut « monter » sur la fraise où la pièce à travailler est poussée de la surface de la table dans la direction de la rotation de la fraise, ce qui entraînera la pièce à travailler et potentiellement vos mains vers la fraise en rotation (Fig. B).
- Il est difficile de maintenir la pièce à travailler contre le guide parce que la rotation de la fraise tendrait à l'en éloigner.

Fig. A

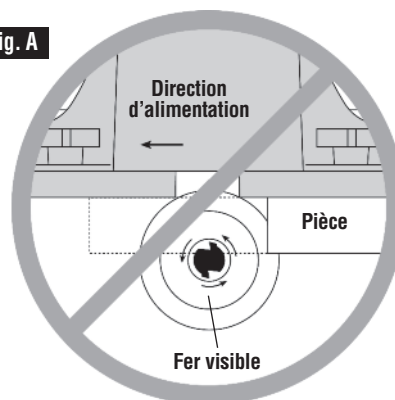
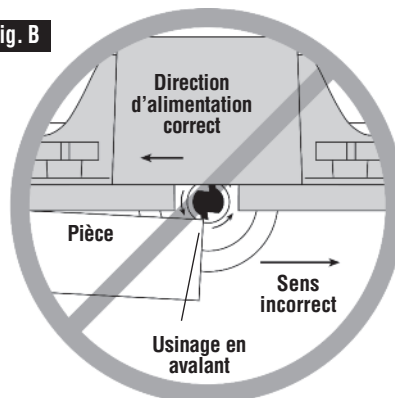


Fig. B



Information importante pour les cordons de rallonge

⚠ AVERTISSEMENT Une rallonge avec des conducteurs de dimensions adéquates pouvant supporter le courant nécessaire à votre outil doit être utilisée. Ceci préviendra une baisse excessive de tension, une perte de courant ou une surchauffe. Les outils mis à la terre doivent être utilisés avec des rallonges à 3 brins pourvues de fiches et de prises à trois broches.



REMARQUE : Plus le calibre est petit, plus le fil est gros.

DIMENSIONS DE RALLONGES RECOMMANDÉES OUTILS 120 VOLTS COURANT ALTERNATIF

Intensité nominale de l'outil	Calibre A.W.G.				Calibre en mm ²			
	Longueur en pieds				Longueur en mètres			
	25	50	100	150	15	30	60	120
3-6	18	16	16	14	0,75	0,75	1,5	2,5
6-8	18	16	14	12	0,75	1,0	2,5	4,0
8-10	18	16	14	12	0,75	1,0	2,5	4,0
10-12	16	16	14	12	1,0	2,5	4,0	—
12-16	14	12	—	—	—	—	—	—

Symboles

IMPORTANT : Certains des symboles suivants peuvent être utilisés sur votre outil. Veuillez les étudier et apprendre leur signification. Une interprétation appropriée de ces symboles vous permettra d'utiliser l'outil de façon plus efficace et plus sûre.

Symbole	Nom	Désignation/Explication
V	Volts	Tension (potentielle)
A	Ampères	Courant
Hz	Hertz	Fréquence (cycles par seconde)
W	Watt	Puissance
kg	Kilogrammes	Poids
min	Minutes	Temps
s	Secondes	Temps
∅	Diamètre	Taille des mèches de perceuse, meules, etc.
n ₀	Vitesse à vide	Vitesse de rotation, à vide
.../min	Tours ou mouvement alternatif par minute	Tours, coups, vitesse en surface, orbites, etc., par minute
0	Position d'arrêt	Vitesse zéro, couple zéro ...
1, 2, 3, ... I, II, III, ...	Réglages du sélecteur	Réglages de vitesse, de couple ou de position Un nombre plus élevé signifie une vitesse plus grande
	Sélecteur variable à l'infini avec arrêt	La vitesse augmente depuis le réglage 0
	Flèche	Action dans la direction de la flèche
	Courant alternatif	Type ou caractéristique du courant
	Courant continu	Type ou caractéristique du courant
	Courant alternatif ou continu	Type ou caractéristique du courant
	Construction classe II	Désigne des outils construits avec double isolation
	Borne de terre	Borne de mise à la terre
	Symbole d'avertissement	Alerte l'utilisateur aux messages d'avertissement.
	Sceau Ni-Cad RBRCmc	Désigne le programme de recyclage des piles Ni-Cad.



Ce symbole signifie que cet outil se conforme aux normes mexicaines NOM



Ce symbole signifie que cet outil est approuvé par l'Association canadienne de normalisation.




Ce symbole signifie que cet outil est approuvé par Underwriters Laboratories et qu'il a été homologué selon les normes canadiennes par Underwriters Laboratories.



Ce symbole signifie que des composantes de cet outil sont reconnues par Underwriters Laboratories et sont reconnues selon les normes canadiennes par Underwriters Laboratories.

Liste de pièces

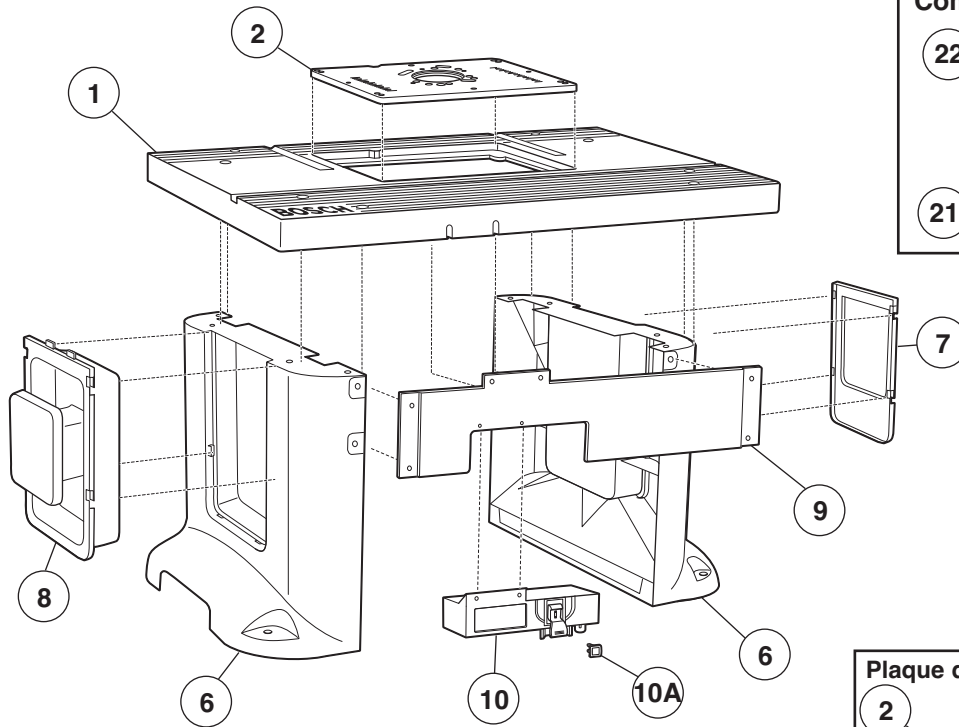
Référez-vous à la liste de pièces ci-dessous et aux pages 40 à 42.

-  **AVERTISSEMENT** Si **UNE OU PLUSIEURS** pièces sont manquantes quelles qu'elles soient, N'ESSAYEZ PAS de monter, installer, ou utiliser votre table à toupie tant que la pièce manquante n'a pas été trouvée et votre table à toupie correctement assemblée conformément aux instructions de ce manuel.
- Pour les pièces manquantes ou l'assistance technique appelez aux 1-877-BOSCH99 (877-267-2499).
- Pour simplifier la manutention et réduire au minimum le risque d'endommagement durant le transport, votre table à toupie vient démontée. Prenez note que la boîte de commutation et certaines fixations sont préassemblées afin de faciliter l'identification et l'installation.
- Séparez toutes les pièces des matériaux d'emballage et comparez chaque pièce avec son illustration et la liste de pièces, afin de vous assurer que toutes les pièces sont comprises. Faites cela avant de vous défaire de tout matériau d'emballage.

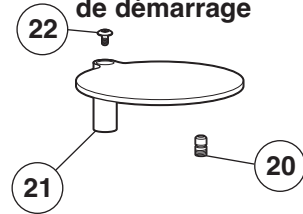
N° rep.	Description	Quantité
COMPOSANTS DE LA TABLE À TOUPIE		
1	Dessus de la table à toupie	1
2	Plaque de montage de toupie	1
3	Bagues de dessus de la table avec trou de 1 po	1
4	Bagues de dessus de la table avec trou de 2 po	1
5	Bagues de dessus de la table avec trou de 2¼ po	1
6	Patte de table	2
7	Panneau de rangement de patte	1
8	Panneau d'enroulement de cordon de patte	1
9	Tableau de bord	1
10	Ensemble de interrupteur avec clé de verrouillage	1
10A	Clé de verrouillage	1
COMPOSANTS DU GUIDE		
11	Guide d'aluminium	1
12	Parement du guide	2
13	Orifice d'aspiration	1
14	Gros bouton de serrage (dans le sac à quincaillerie)	6
15	Garde supérieur	1
16	Bague d'espacement (dans le sac à quincaillerie)	6
17	Petit bouton de serrage (dans le sac à quincaillerie)	6
18	Cale d'assemblage de 1/16 po	2
19	Guide biseauté	2
COMPOSANTS DE GOUPILLE DE DÉMARRAGE		
20	Goupille de démarrage	1
21	Protecteur de goupille de démarrage	1
22	Vis à métaux a tête bombée n° 10-32 x 3/8 po	1

Liste de pièces

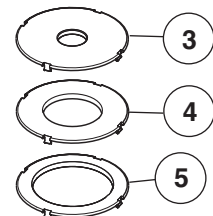
Composants de la table à toupie



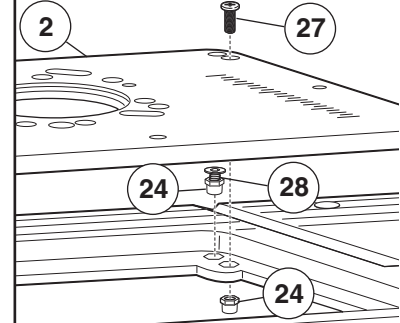
Composants de goupille de démarrage



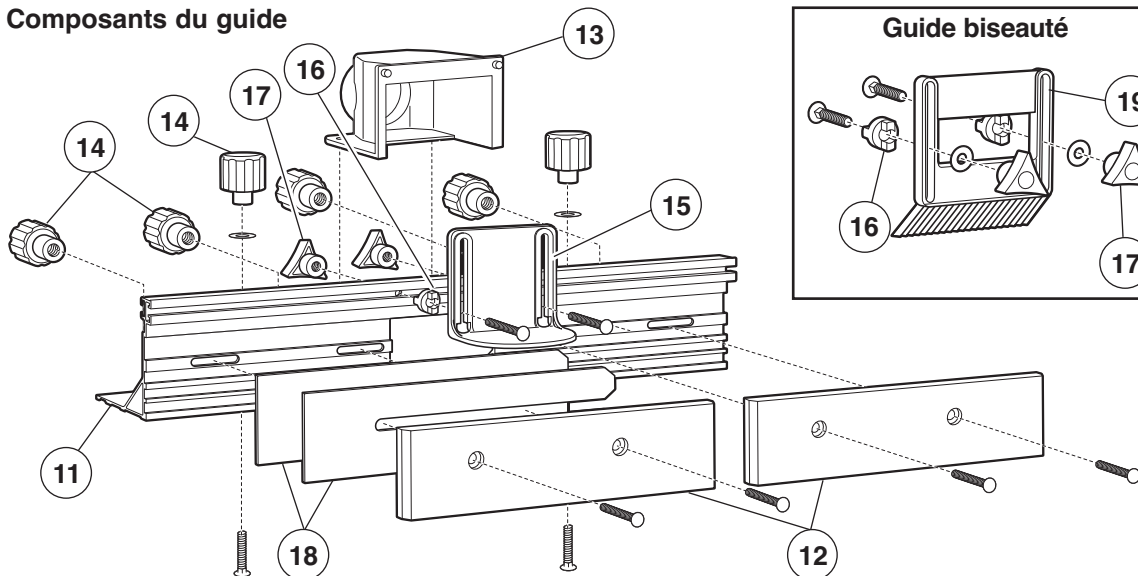
Bagues du dessus de la table



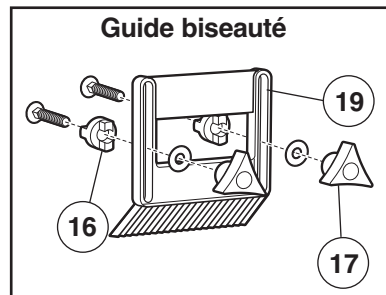
Plaque de montage de la toupie



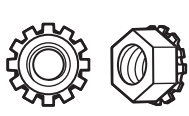
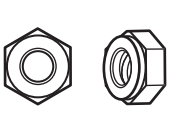
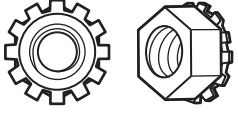
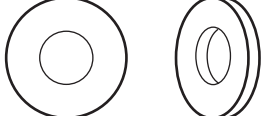
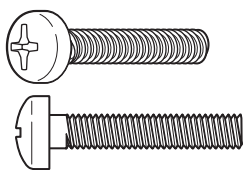
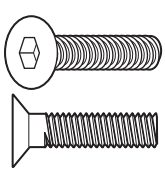
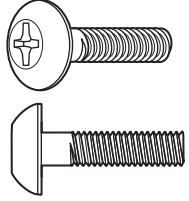
Composants du guide



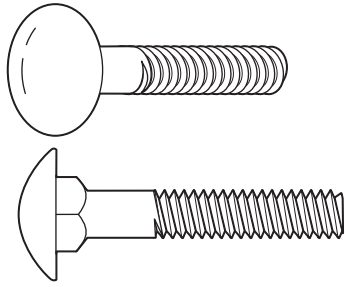
Guide biseauté



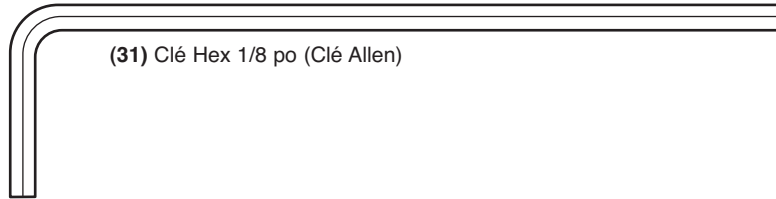
Liste de pièces

N° Rep.	Description	Quantité
B	ATTACHES FOURNIS (POUR L'ASSEMBLAGE DE LA TABLE)	
23	Écrou «KEPS» n° 10-32	8
24	Écrou de blocage ESNA n° 10-32	12
25	Écrou «KEPS» 1/4-20	8
26	Rondelle 9/32 po D.I. x 5/8 po D.E. x 1/16 po	8
27	Vis à métaux Phillips à tête ronde n° 10-32 x 1 po	4
28	Vis à métaux Allen à tête fraisée n° 10-32 x 3/4 po	8
29	Vis à métaux Phillips à tête bombée n° 10-32 x 3/4 po	8
30	Boulon de carrosserie 1/4-20 x 1 1/2 po	8
31	Clé Hex 1/8 po (Clé Allen)	1
	ATTACHES FOURNIS (POUR L'ASSEMBLAGE DU GUIDE)	
23	Écrou «KEPS» n° 10-32	2
26	Rondelle 9/32 po D.I. x 5/8 po D.E. x 1/16 po	6
32	Vis à métaux Phillips à tête fraisée n° 10-32 x 5/8 po	2
30	Boulon de carrosserie 1/4-20 x 1 1/2 po	6
33	Boulon de carrosserie 1/4-20 x 1 po	4
34	Boulon de carrosserie 1/4-20 x 1 3/4 po	2
	ATTACHES FOURNIS (POUR LE MONTAGE DES TOUPIES)	
25	Écrou «KEPS» 1/4-20	4
26	Rondelle 9/32 po D.I. x 5/8 po D.E. x 1/16 po	2
35	Vis à métaux Phillips à tête ronde n° 10-32 x 1/2 po	3
36	Vis à métaux Phillips à tête ronde n° 10-16 x 1/2 po	2
37	Vis à métaux Phillips à tête ronde n° 10-24 x 1/2 po	4
38	Vis à métaux Phillips à tête ronde n° 8-32 x 1/2 po	3
39	Vis à métaux Phillips à tête ronde 5/16-18 x 1/2 po	3
40	Vis à métaux Phillips à tête ronde M4 x 20	3
<p>REMARQUE : Le sac de quincaillerie contient des attaches pour plusieurs modèles. Certaines attaches ne peuvent pas être utilisées pour assembler votre modèle. Consultez la liste de pièces ci-dessus pour trouver la bonne taille et la bonne quantité d'attaches à utiliser avec ce tableau.</p>		
<div style="display: flex; justify-content: space-around; align-items: flex-start;"> <div style="text-align: center;">  <p>(23) Écrou «KEPS» n° 10-32</p> </div> <div style="text-align: center;">  <p>(24) Écrou de blocage ESNA n° 10-32</p> </div> <div style="text-align: center;">  <p>(25) Écrou «KEPS» 1/4-20</p> </div> <div style="text-align: center;">  <p>(26) Rondelle 9/32 po D.I. x 5/8 po D.E. x 1/16 po</p> </div> </div> <div style="display: flex; justify-content: space-around; align-items: flex-start;"> <div style="text-align: center;">  <p>(27) Vis à métaux Phillips à tête ronde n° 10-32 x 1 po</p> </div> <div style="text-align: center;">  <p>(28) Vis à métaux Allen à tête fraisée n° 10-32 x 3/4 po</p> </div> <div style="text-align: center;">  <p>(29) Vis à métaux Phillips à tête bombée n° 10-32 x 3/4 po</p> </div> </div>		

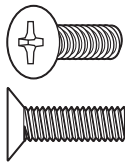
Liste de pièces



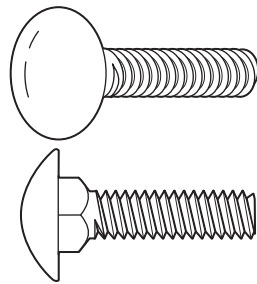
(30) Boulon de carrosserie
1/4-20 x 1 1/2 po



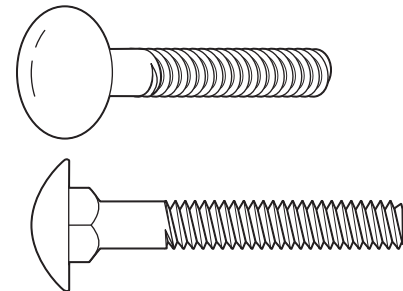
(31) Clé Hex 1/8 po (Clé Allen)



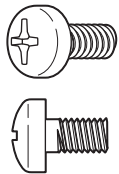
(32) Vis à métaux
Phillips à tête fraisée
n° 10-32 x 5/8 po



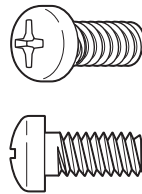
(33) Boulon de carrosserie
1/4-20 x 1 po



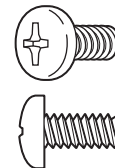
(34) Boulon de carrosserie
1/4-20 x 1 3/4 po



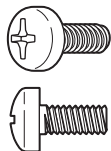
(35) Vis à métaux Phillips à tête
ronde n° 10-32 x 1/2 po



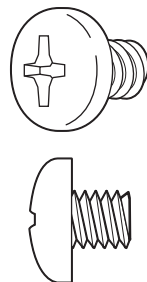
(36) Vis à métaux Phillips à tête
ronde n° 10-16 x 1/2 po



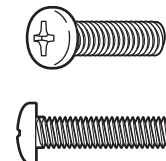
(37) Vis à métaux Phillips à tête
ronde n° 10-24 x 1/2 po



(38) Vis à métaux Phillips à tête
ronde n° 8-32 x 1/2 po



(39) Vis à métaux Phillips à tête
ronde n° 5/16-18 x 1/2 po



(40) Vis à métaux Phillips à
tête ronde M4 x 20

Assemblage de la table à toupie

ASSEMBLAGE DE LA TABLE À TOUPIE

PIÈCES RAPPORTÉES POUR PATTES DE TABLE (FIG. 1)

La table à toupie comporte deux pièces rapportées pour pattes de table.

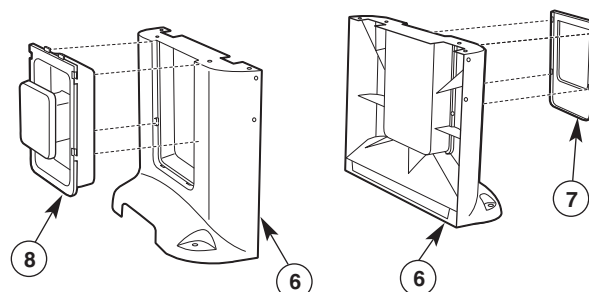
- Panneau de rangement de patte (7), pour faciliter le rangement des accessoires
- Panneau d'enroulement de cordon de patte (8)

Pour fixer les pièces rapportées aux pattes de la table à toupie, suivez ces étapes :

1. Placez la pièce rapportée (7 ou 8) dans l'ouverture de la patte (6) de sorte qu'elle soit positionnée tout en haut de l'ouverture.
2. Appuyez sur la pièce sorte qu'elle s'enfonce et soit à égalité avec la patte.
3. Poussez la pièce rapportée vers le bas jusqu'à ce qu'elle verrouille en place.

REMARQUE : Le panneau d'enroulement de cordon possède deux languettes en haut du panneau qui se verrouillent sous la surface de la table. Ces languettes permettent d'empêcher le panneau de se détacher pendant l'enroulement ou le déroulement du cordon.

Fig. 1



OUTILS UTILES (non compris)

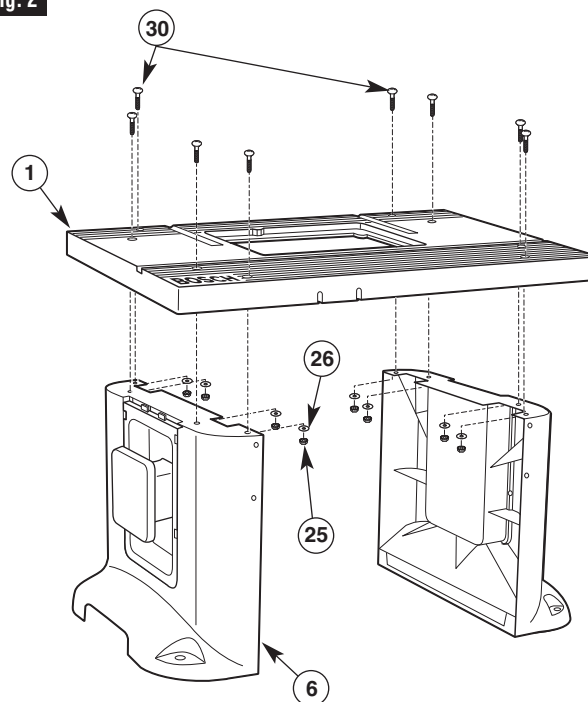
- Tournevis Phillips
- Petite clé réglable
- Ruban adhésif

PATTES DE LA TABLE À TOUPIE (FIG. 2)

1. Insérez huit boulons à carrosserie 1/4-20 x 1 1/2 po de long (30) dans le dessus de table à toupie (1), tel qu'illustré à la figure 2.
2. Assemblez une des pattes (6) de la table à toupie, tel qu'illustré ci-contre.
3. Placez une rondelle de 9/32 po D.I. x 5/8 po D.E. x 1/16 po d'épaisseur (26) et un écrou « KEPS » 1/4-20 (25) sur chacun des boulons.
4. Serrez fermement toutes les attaches.

REMARQUE : Il peut être plus facile d'assembler les pattes en posant la table à toupie sur l'avant ou l'arrière ou en utilisant un ruban adhésif sur les têtes des boulons de carrosserie pour les maintenir en place et en retournant la table à toupie à l'envers.

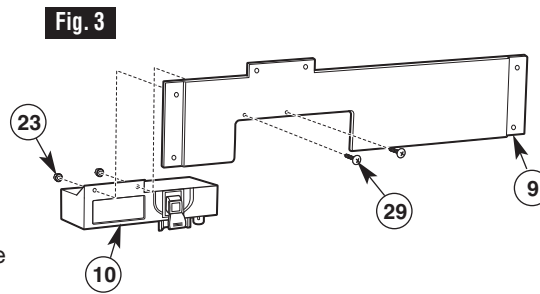
Fig. 2



Assemblage de la table à toupie

FIXEZ L'INTERRUPTEUR AU TABLEAU DE BORD (FIG. 3)

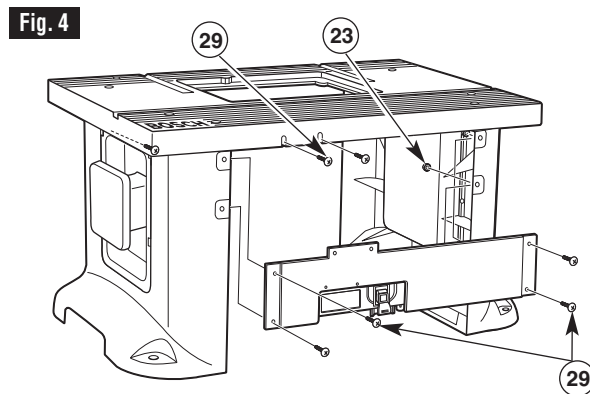
1. Alignez les deux trous les plus éloignés en haut de l'ensemble d'interrupteur (10) aux trous du tableau de bord (9), comme l'indique la figure 3.
2. Insérez deux écrous KEPS n° 10-32 (23) dans les enfoncements de forme hexagonale au dos de l'ensemble de l'interrupteur (10), face dentée vers l'extérieur, et fixez ce dernier à son support de montage avec deux vis à métaux à tête ronde n° 10-32 x 3/4 po (29) tout en maintenant les écrous en place dans l'enfoncement avec votre doigt.



FIXEZ L'ASSEMBLAGE DE L'INTERRUPTEUR ET PANNEAU AVANT À LA TABLE À TOUPIE (FIG. 4)

REMARQUE : Le panneau avant se fixe à l'intérieur des deux pattes et du dessus de la table à toupie.

1. Alignez les trous du panneau avant avec les trous des pattes et les deux fentes sur le devant du dessus de la table à toupie.
2. Fixez le panneau avant au dessus de la table à toupie à l'aide de deux vis à métaux à tête bombée n° 10-32 x 3/4 po (29) et de deux écrous « KEPS » n° 10-32 (23), face dentée vers l'extérieur, tel qu'illustré à la figure 4.
3. Fixez le panneau avant aux pattes à l'aide de quatre vis à métaux à tête bombée n° 10-32 x 3/4 po (29) et de quatre écrous « KEPS » n° 10-32 (23), face dentée vers l'extérieur, tel qu'illustré à la figure 4.
4. SERREZ FERMEMENT toutes les vis.



Assemblage de la table à toupie

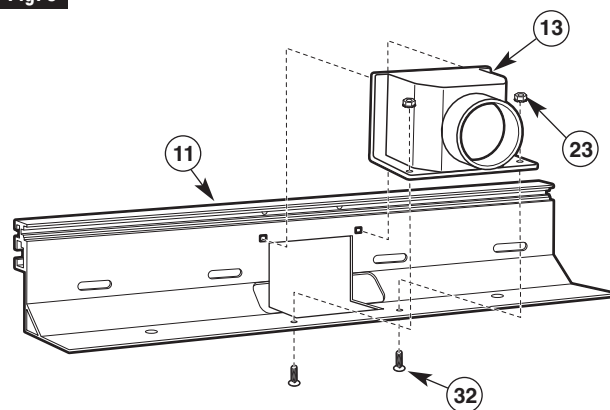
ASSEMBLAGE DU GUIDE

ASSEMBLAGE DU GUIDE (FIGS. 5 ET 6)

1. Insérez les taquets moulés sur l'orifice d'aspiration (13) dans les trous en la derrière du guide en aluminium (11) comme l'indique la figure 5.
2. En partant du bas du guide, insérez deux vis à tête noyée n° 10-32 x 5/8 po (32) afin qu'ils atteignent les trous situés en bas du guide d'onglets et de l'entrée d'aspiration. Fixez à l'aide de deux écrous KEPS n° 10-32 (23) (Fig. 5).
3. Placez le guide (11) vers le haut sur une surface plate et alignez les trous chambrés de la surface du guide (12) aux fentes du guide. Le côté chambré de la surface doit être tourné vers L'EXTÉRIEUR (Fig. 6).
4. Fixez les deux surfaces du guide (12) à l'avant du guide, à l'aide de deux boulons de carrosserie de 1/4-20 x 1 po (33) et deux gros boutons de serrage (14) pour chaque surface du guide (Fig. 6).
5. En partant du devant de la garde (15), insérez deux boulons de carrosserie de 1/4-20 x 1 1/2 po (30) dans les trous de la garde. Faites glisser une bague d'espacement (16) sur chaque boulon de manière à ce que les taquets des bagues d'espacement entrent dans les fentes du guide d'onglets (Fig. 6).
6. En partant du devant du guide, insérez les boulons de carrosserie dans les trous situés au centre du guide. Les taquets de la bague d'espacement s'alignent avec la fente en T du guide. Fixez à l'aide d'un petit bouton de serrage (17) sur chaque boulon (Fig. 6).

REMARQUE : Pour simplifier l'installation de la plaque d'adaptation de la toupie et de la toupie, n'installez pas pour l'instant le guide d'onglets dans la table à toupie.

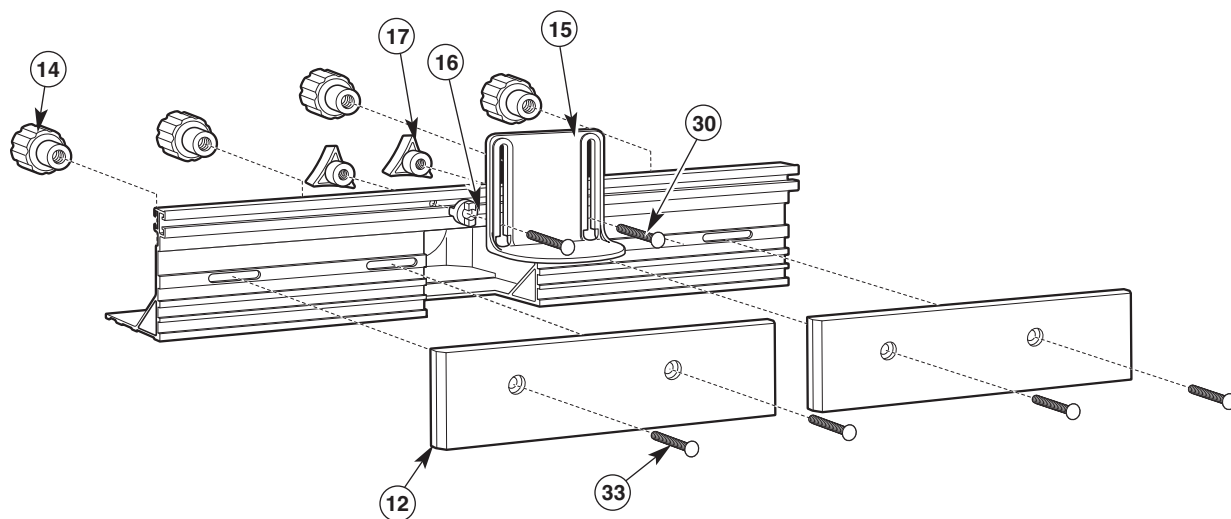
Fig. 5



REMARQUE : Deux cales d'assemblage en plastique (18) sont incluses pour assurer un bon décalage lors de l'assemblage. Pour de plus amples renseignements sur les manœuvres d'assemblage et l'emplacement de la cale, voir la page 61.



Fig. 6



Assemblage de la table à toupie

INSTALLER LA PLAQUE DE MONTAGE DE LA TOUPIE

UTILS UTILES (non compris)

- Clé Allen 1/8 po (31) (comprise)
- Tournevis Phillips (non compris)
- Règle droite (non compris)
- Petite clé réglable (non compris)

REMARQUE : Les cloisons **NE** doivent **PAS** être installées sur la table à toupie pour les procédures suivantes.

INSTALLATION PRÉLIMINAIRE DE LA PLAQUE DE MONTAGE DE LA TOUPIE (FIGS. 7A-7C)

1. Vissez complètement un écrou de blocage ESNA n° 10-32 (24) sur chacune des huit vis à tête creuse fraisée n° 10-32 x 3/4 po (28), tel qu'illustré à la figure 7A. L'écrou de blocage doit être inséré sur la vis dans le sens indiqué à la Fig. 7A.

REMARQUE : Une clé Allen et une clé anglaise vous seront utiles, car l'écrou est pourvu d'un filet serré.

2. Placez les huit ensembles vis et écrous dans les huit orifices hexagonaux de la dépression au centre de la table, tel qu'illustré à la Fig. 7B.

Les filets de vis doivent être introduits dans les trous au fond des orifices.

3. Placez la plaque de montage de la toupie dans l'ouverture du dessus de table de manière à ce qu'elle repose sur les têtes de vis, tel qu'illustré à la Fig. 7B.
4. Placez une règle droite ou un niveau, sur la plaque de montage, tel qu'illustré à la Fig. 7C. La règle doit être assez longue pour couvrir entièrement l'ouverture dans le dessus de la table à toupie.
5. Insérez une clé Allen (31) dans les huit trous ronds de la plaque de montage jusqu'au fond de la tête creuse des vis (Fig. 7C).
6. Levez et abaissez la plaque de montage en tournant les vis jusqu'à ce que la plaque soit de niveau et à égalité avec le dessus de la table à toupie.
7. Enlevez la plaque de montage du dessus de la table.

REMARQUE : Il pourrait s'avérer nécessaire d'apporter quelques petits ajustements une fois terminée l'installation finale de la plaque de montage de la toupie.

Fig. 7A

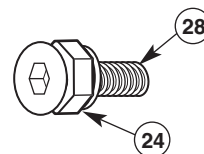


Fig. 7B

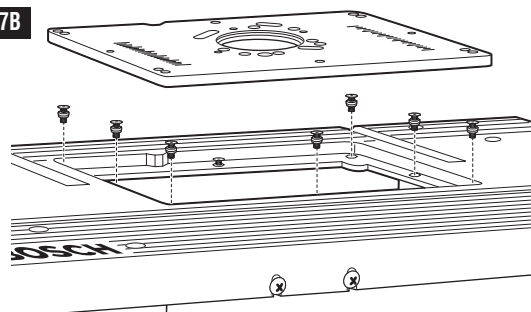
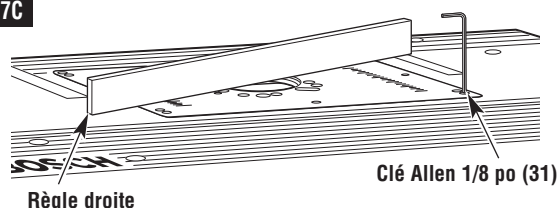


Fig. 7C



Assemblage de la table à toupie

AVERTISSEMENT Avant d'utiliser votre table à toupie, vérifiez que la toupie est correctement fixée à la base de la table à toupie. Lorsque vous travaillez, vérifiez périodiquement le serrage de la fixation de la base de la toupie. Les vibrations du moteur de la toupie peuvent desserrer les fixations pendant l'utilisation, provoquant la chute de la toupie de la table.

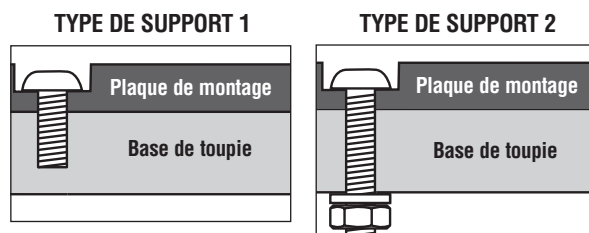
CHOIX DU SCHÉMA DE TROUS DE LA TOUPIE

DÉTERMINEZ LA MÉTHODE DE MONTAGE À UTILISER (VOIR LE TABLEAU À LA PAGE 48)

Si le modèle de votre toupie figure dans le tableau de la page 48, passez à l'étape 1 ci-dessous. S'il ne figure PAS, vous devez acheter une plaque d'adaptation de toupie BOSCH RA1186, en vente séparément.

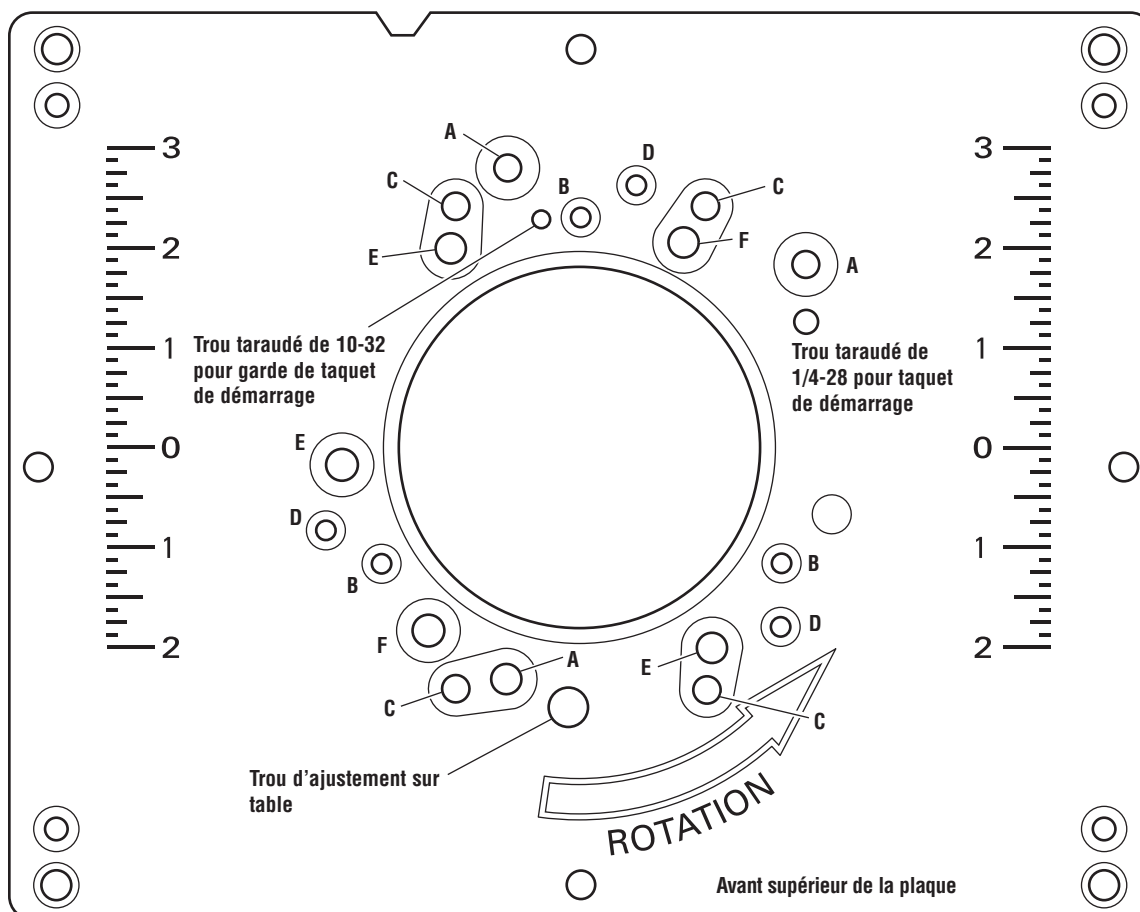
Si le modèle de votre toupie figure est sur la liste :

1. Trouvez le schéma de trous qui correspond au schéma de trous de montage de votre toupie.
2. Trouvez les fixations dont vous aurez besoin pour fixer la toupie à la plaque d'adaptation de toupie.
3. Trouvez le type de support (1 ou 2) qui est utilisée pour votre modèle de toupie.



GUIDE DE PLAQUE DE MONTAGE POUR TOUPIES COMPATIBLES (FIG. 8)

Fig. 8



Assemblage de la table à toupie

TABEAU 1

Marque de toupie	Modèle de toupie	Schéma de trous	Fixations requises	Type de montage
Bosch	série 1613	A	Vis à métaux Phillips n° 10-16 x 1/2 po (36), rondelles (26), et écrous 1/4-20 (25)	2
Bosch	série 1617 (bases fixes uniquement)	B	Vis à métaux Phillips n° 10-24 x 1/2 po (37)	1
Bosch	1619EVS	C	Vis à métaux Phillips n° 10-16 x 1/2 po (36), rondelles (26), et écrous 1/4-20 (25)	2
Bosch	série MR	B	Vis à métaux Phillips M4 x 20 (40)	1
Craftsman	Plupart de toupies Craftsman avec de 1/2 po	E	Vis à métaux Phillips 5/16-18 x 1/2 po (39)	1
DeWalt	DW616, DW618 (base fixe uniquement)	B	Vis à métaux Phillips n° 8-32 x 1/2 po (38)	1
Hitachi	M12VC	B	Vis à métaux Phillips n° 10-32 x 1/2 po (35)	1
Makita	RF1100, RF1101	B	Vis à métaux Phillips n° 10-24 x 1/2 po (37)	1
Milwaukee	5615, 5616	B	Vis à métaux Phillips n° 10-24 x 1/2 po (37)	1
Porter-Cable	série 690, 7529 toupie de défonçage, et séries 892-895 (base fixe uniquement)	B	Vis à métaux Phillips n° 10-24 x 1/2 po (37)	1
Ryobi	R161, R162, R163	E	Vis à métaux Phillips 5/16-18 x 1/2 po (39)	1
Ryobi	RE170, RE180 PL	F	Vis à métaux Phillips 5/16-18 x 1/2 po (39)*	1
Skil	1810, 1815, 1820, 1825	D	Vis à métaux Phillips n° 10-32 x 1/2 po (35)	1

*RE170 exige que la sous-base soit fixée pour la longueur de fixation spécifiée.

FIXATION DE LA TOUPIE À LA PLAQUE DE MONTAGE (FIGS. 9 ET 10)

⚠ AVERTISSEMENT Débranchez la toupie de l'alimentation électrique avant d'installer la toupie sur la table, d'effectuer des réglages, de changer d'accessoires, de retirer la toupie de la table, d'effectuer la maintenance ou encore lors du rangement de l'outil. De telles mesures de sécurité préventives réduisent le risque d'une mise en marche involontaire de l'outil.

1. Enlevez la sous-base en matière plastique de votre toupie (Sauf indication contraire dans le tableau 1) (Fig. 9).
 - Si vous voulez monter la toupie avec la sous-base, il est possible que vous ayez besoin de fixations plus longues. L'utilisation de la sous-base a une influence sur la portée de la profondeur de coupe.
2. Si votre toupie a sa propre hotte d'extraction de la poussière qui va en haut de la base de toupie en métal et si vous voulez l'utiliser sous la table de toupie, c'est le moment de l'installer.
3. Dans le tableau 1, trouvez la quincaillerie et le type de montage pour votre toupie.
 - Pour la plupart des modèles de toupies, les vis passent dans les trous taraudés de la base de toupie (montage de type 1).
 - Pour certains modèles, les vis passent complètement à travers la base et sont fixées au moyen de rondelles et d'écrous (montage de type 2).
 - BOSCH n'a aucun contrôle sur les toupies de ses concurrents. Tout changement apporté à ces toupies peut avoir un effet sur la compatibilité aux fixations spécifiées et/ou à celles livrées avec cette table.
 - Assurez-vous toujours que la vis est bien installée sur la plaque d'adaptation et que la base de la toupie colle bien à la plaque d'adaptation pour assurer un bon montage. Si la plaque de toupie et les fixations ne se fixent pas bien ensemble, il est possible que vous ayez besoin d'acheter de nouvelles fixations d'une longueur différente.

⚠ AVERTISSEMENT Avant d'utiliser votre table à toupie, vérifiez que la toupie est correctement fixée à la base de la table à toupie. Lorsque vous travaillez, vérifiez périodiquement le serrage de la fixation de la base de la toupie. Les vibrations du moteur de la toupie peuvent desserrer les fixations pendant l'utilisation, provoquant la chute de la toupie de la table.

4. Consultez le guide de plaque de montage (Fig. 8) à la page 47 et alignez les bons trous de plaque de montage pour votre toupie aux trous de la base de toupie. Assurez-vous que les contrôles d'ajustement de profondeur sur la toupie soient face à l'avant de la plaque de montage. La Fig. 8 montre la bonne orientation de la plaque quand on l'installe sur la table.
5. Montez solidement votre toupie à la plaque de montage (Fig. 10).

Fig. 9

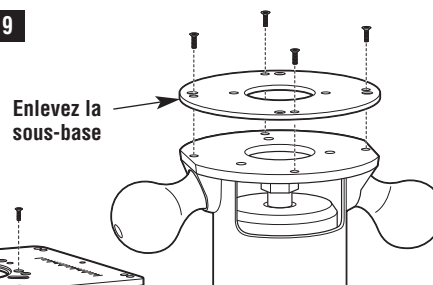
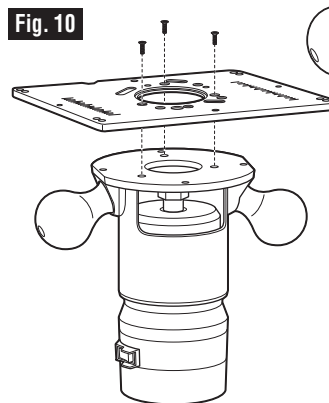


Fig. 10

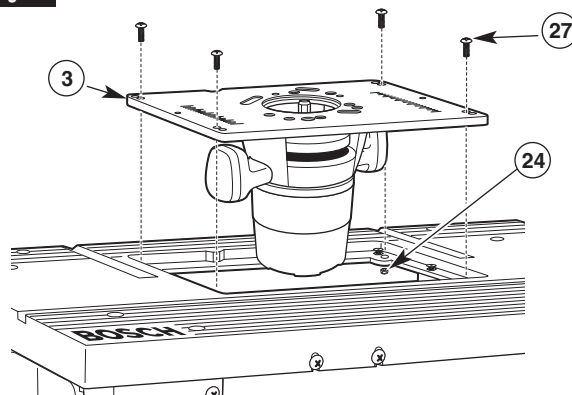


Assemblage de la table à toupie

FIXATION DE LA PLAQUE DE MONTAGE DE LA TOUPIE (FIG. 11)

1. Placez la plaque de montage de la toupie, avec la toupie attachée, aux vis de mise à niveau du haut de la plaque. **REMARQUE :** Faites attention de ne pas coincer le cordon entre la plaque de montage de la toupie et le haut de la table de toupie.
2. Vérifiez à nouveau la plaque de montage de la toupie afin de vous assurer qu'elle est bien horizontale. Si nécessaire, desserrez les écrous de blocage et ajustez les vis de mise à niveau à l'aide de la clé Allen le cas échéant.
3. Fixez la plaque de montage de la toupie (3) sur la table à l'aide de quatre vis à métaux à tête bombée n° 10-32 x 1 po (27) vissées dans les trous des coins intérieurs de la plaque et quatre écrous de blocage ESNA n° 10-32 (24) posés (depuis le dessous du dessus de table) dans les dépressions existantes (Fig. 11). Serrez les vis fermement, sans excès.

Fig. 11



POUR ENLEVER LA TOUPIE ET (OU) LA PLAQUE DE MONTAGE DE LA TOUPIE

⚠ AVERTISSEMENT Assurez-vous que la toupie n'est PAS branchée sur une prise électrique lors de l'installation sur la table, le démontage de la table, les réglages ou les changements d'accès. La toupie pourrait démarrer accidentellement.

VOUS DEVEZ ENLEVER LE GUIDE DE LA TABLE A TOUPIE LORSQUE VOUS ENLEVEZ OU REINSTALLEZ LA PLAQUE DE MONTAGE.

Pour enlever la toupie de la plaque de montage sans enlever la plaque de la table, voyez l'étape 3.

1. Ôter les quatre vis à métaux à tête bombée Phillips n° 10-32 x 1 po (27) et quatre écrous de blocage ESNA n° 10-32 (24) qui fixent la plaque de montage de toupie au dessus de table (Fig. 11).
2. Soulevez la plaque de montage et la toupie vers le haut pour les dégager du dessus de la table.
3. Enlevez les vis à métaux Phillips à tête ronde qui fixent la toupie à la plaque de montage.
4. Lorsque vous réinstallez la plaque de montage de la toupie, vérifiez le nivellement de la plaque avec la table. Si nécessaire, faites les petits ajustements comme décrit ci-dessus.

AJUSTEMENT DE HAUTEUR SUR LA TABLE

La plaque d'adaptateur de toupie possède un trou d'accès qui permet de l'utiliser avec la caractéristique d'ajustement de hauteur sur la table sur les toupies BOSCH série 1617. Consultez votre manuel de toupie pour des renseignements additionnels pour utiliser cette caractéristique.

Pour les autres marques de toupies dotées de dispositifs d'ajustement de hauteur au dessus de la table, il peut s'avérer nécessaire de percer un trou d'accès dans la plaque de montage de la toupie comme suit :

1. Enlevez la sous-base de la toupie et alignez les trous de montage de la sous-base aux trous de montage correspondants de la plaque de l'adaptateur. Assurez-vous d'orienter la sous-base de manière à ce que l'interrupteur de la toupie se trouve orienté vers l'avant de la table.

2. En utilisant un crayon ou un pointeau, marquez l'emplacement du trou d'ajustement de hauteur sur la table sur la plaque de l'adaptateur de la toupie.
3. Enlevez la sous-base de la plaque de l'adaptateur et faites soigneusement le trou d'ajustement de la hauteur.
4. Assurez-vous que le trou convienne à l'outil d'ajustement de la hauteur pour votre toupie. Enlevez toute bavure ou arête coupante avec du papier de verre.

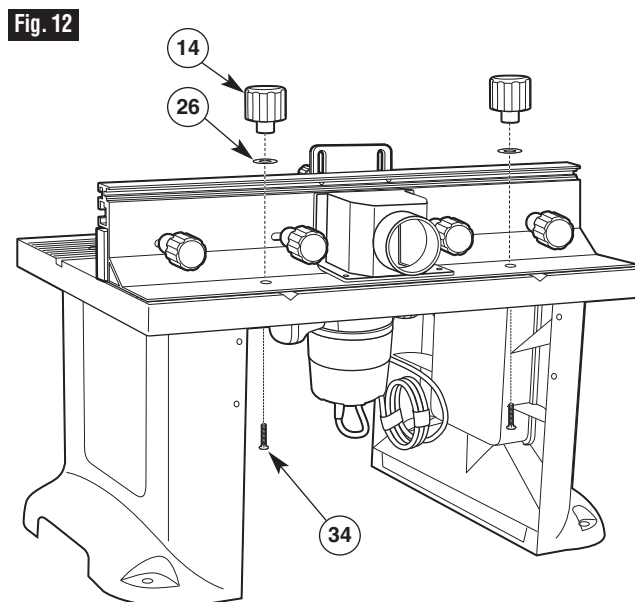
Assemblage de la table à toupie

INSTALLATION DU GUIDE

FIXEZ LE GUIDE À LA TABLE (FIG. 12)

1. Par-dessous, insérez deux boulons de carrosserie 1/4-20 x 1³/₄ po (34) à travers les deux trous dans le guide et fixez-les avec une grande rondelle (26) et un gros bouton de serrage (14) sur chacun.
2. Faites glisser l'ensemble du guide et assurez-vous qu'elle glisse librement du devant à l'arrière.

REMARQUE : Utilisez les graduations sur le dessus de la table comme guide pour aligner le guide pour les manœuvres de toupillage. Une fois que le guide est en position et correctement aligné, serrez les boutons de serrage À FOND.



Assemblage de la table à toupie

FIXER LA TABLE À TOUPIE À UNE SURFACE DE TRAVAIL OU À UN ÉTABLI

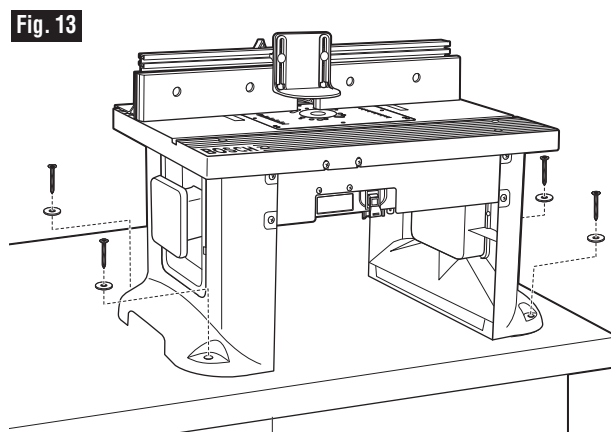
⚠ AVERTISSEMENT Avant la mise en marche, assurez-vous que l'ensemble de l'appareillage (la table sur laquelle a été installée la toupie) est placé sur, et attaché à, une surface solide, plane et de niveau, et qu'il ne peut pas basculer. L'utilisation de supports auxiliaires d'entrée et de sortie est nécessaire pour les pièces longues ou larges. Les pièces longues qui n'ont pas de support adéquat peuvent tomber de la table ou la faire basculer.

OUTILS ET PIÈCES UTILES (non compris)

- Tournevis Phillips
- Petite clé réglable
- Perceuse à main ou électrique avec mèches (suivant la méthode d'assemblage utilisée)
- Attaches (non comprises) :
 - Quatre vis à bois à tête cylindrique n° 14, n° 16 ou n° 18 de 2 po (pour les surfaces de travail ou les établis en bois massif) ou
 - Quatre vis à métaux à tête cylindrique de 5/16 po, rondelles et écrous hexagonaux, ou
 - Serre-joints

MÉTHODE 1 (FIG. 13)

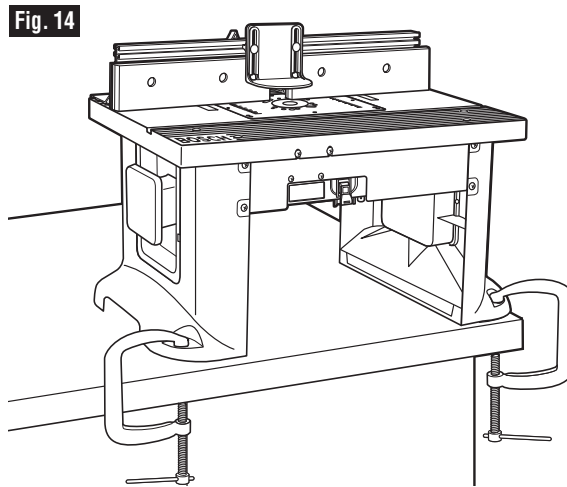
1. Placez la table à toupie sur un établi ou toute autre surface stable et solide, l'AVANT (côté interrupteur) face à vous.
2. Tout en maintenant la table à toupie dans la position voulue, marquez l'emplacement des quatre trous de montage (un à chaque coin).
3. Enlevez la table à toupie de l'établi et mettez-la de côté.
4. Percez un avant-trou de 1/8 po (pour les vis à bois) ou un trou de dimension appropriée (pour les vis à métaux) aux emplacements marqués.
5. Placez la table à toupie sur l'établi et alignez les trous de montage des pattes de la table à toupie aux trous percés dans l'établi.
6. Fixez solidement en place la table à toupie à l'aide des vis à bois y rondelles (non comprises) ou des vis à métaux, rondelles et écrous (non compris). Si vous utilisez des vis à bois, appliquer un peu de savon aux filets de vis facilitera le filetage des vis dans les avant-trous.
7. SERREZ FERMEMENT toutes les vis.



Assemblage de la table à toupie

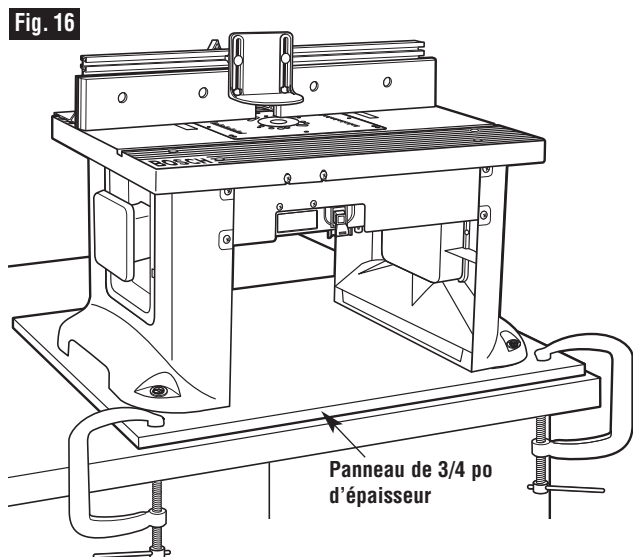
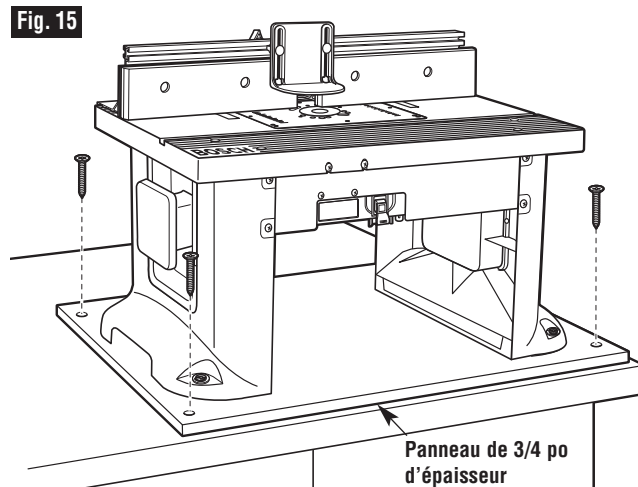
MÉTHODE 2 (FIG. 14)

1. Placez la table à toupie sur un établi ou toute autre surface stable et solide, l'AVANT (côté interrupteur) face à vous.
2. Fixez les pattes de la table à toupie à l'établi avec des serre-joints, en vous assurant de les serrer FERMEMENT.
IMPORTANT : Soyez sûr que l'emplacement des serre-joints ne nuira pas au fonctionnement de la table à toupie.



AUTRE MÉTHODE (FIGS. 15 ET 16)

1. Découpez un panneau de 18¼ po de large par 29 po de long dans un morceau de bois ou en tout autre matériau plat de 3/4 po d'épaisseur.
2. Placez la table à toupie sur ce panneau, l'AVANT (côté interrupteur) face à vous, de sorte que l'espace entre les pattes de la table à toupie et les bords du panneau soit égal de tous les côtés.
3. Tout en maintenant la table à toupie dans la position voulue, marquez l'emplacement des quatre trous de montage (un à chaque coin).
4. Enlevez la table à toupie du panneau et mettez-la de côté.
5. Percez un avant-trou de 1/8 po (pour les vis à bois) aux emplacements marqués.
6. Placez la table à toupie sur le panneau et alignez les trous de montage des pattes de la table à toupie aux trous percés dans le panneau.
7. Fixez solidement en place la table à toupie à l'aide des vis à bois et rondelles (non comprises). Appliquer un peu de savon aux filets de vis facilitera le filetage des vis dans les avant-trous.
8. SERREZ FERMEMENT toutes les vis.
9. Placez la table à toupie sur un établi ou toute autre surface stable et solide. Fixez solidement le panneau à l'établi au moyen de vis (Fig. 15), de serre-joints (Fig. 16) ou d'autres attaches appropriées.



Assemblage de la table à toupie

⚠ AVERTISSEMENT Débranchez la toupie de l'alimentation électrique avant d'installer la toupie sur la table, d'effectuer des réglages, de changer d'accessoires, de retirer la toupie de la table, d'effectuer la maintenance ou encore lors du rangement de l'outil. De telles mesures de sécurité préventives réduisent le risque d'une mise en marche involontaire de l'outil.

BAGUES D'INSERTION DU DESSUS DE LA TABLE (FIG. 17)

Cette table à toupie comprend trois bagues d'insertion du dessus de la table ayant des trous dont les diamètres intérieurs sont les suivants :

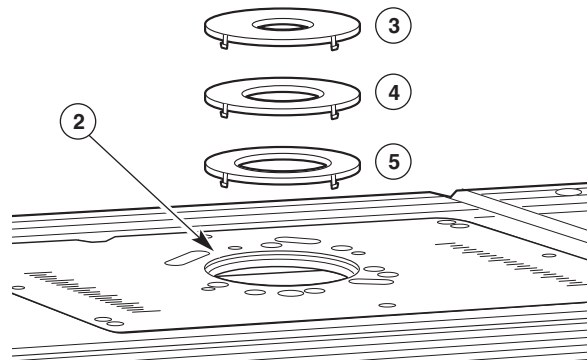
- (3) 1 po de diamètre pour utiliser avec les fraises ayant jusqu'à 7/8 po de diamètre
- (4) 2 po de diamètre pour utiliser avec les fraises ayant jusqu'à 1 1/8 po de diamètre
- (5) 2 3/4 po de diamètre pour utiliser avec les fraises ayant jusqu'à 2 5/8 po de diamètre

On n'utilise aucune bague d'insertion pour les fraises dont le diamètre varie de plus que 2 5/8 po jusqu'à 3 1/2 po.

⚠ AVERTISSEMENT N'utilisez pas la table à toupie avec des fraises d'un diamètre supérieur à 3 1/2 po. Les fraises d'un diamètre supérieur à 3 1/2 po sont trop larges pour le trou de dégagement des bagues d'insertion de la surface de la table. Les fraises de diamètre supérieur à 3 1/2 po pourraient toucher la plaque ou la bague d'insertion et projeter des fragments.

⚠ AVERTISSEMENT Ne modifiez jamais la bague d'insertion du dessus de la table ou le trou de fraise de la plaque d'insertion. Faites correspondre le diamètre de coupe de la fraise au diamètre intérieur de la bague d'insertion ou du trou de fraise de la plaque d'insertion à ce que la différence ne soit pas supérieure à 1/16 po d'un côté. Les bagues d'insertion visent à réduire l'espace libre entre le diamètre de coupe de la fraise et celui de la table, de manière à ce que les pièces de travail conservent un soutien complet de la table quand vous fraisez.

Fig. 17



INSTALLEZ LES BAGUES D'INSERTION DU DESSUS DE LA TABLE (FIG. 17) :

1. Choisissez la bague d'insertion (3–5) qui convient le mieux à la fraise de toupie que vous allez utiliser.
2. Pressez la bague d'insertion (3–5) dans le grand trou de la plaque d'installation de la toupie (2). Si le guide gêne, desserrez les boutons de serrage du guide et glissez le guide à l'arrière de la table.
3. Pressez uniformément au-dessus des languettes jusqu'à ce que la bague d'insertion (3–5) se bloque en place.
4. Pour enlever, tirez doucement jusqu'à ce que les taquets sortent. Quand vous ne l'utilisez pas, rangez les bagues d'insertion (3–5) derrière le panneau de rangement (7) dans le pied de la table ou dans tout autre endroit pratique.

⚠ AVERTISSEMENT N'utilisez pas ou n'essayez pas de changer ou de retirer les bagues d'insertion du dessus de la table de la surface de travail sans que la toupie soit arrêtée et débranchée. De telles mesures de sécurité préventives réduisent le risque d'une mise en marche involontaire de l'outil.

Fonctionnement de la table à toupie

BOÎTE DE L'INTERRUPTEUR

⚠ AVERTISSEMENT Ne branchez le câble d'alimentation du moteur de la défonceuse dans une prise murale standard. Il doit être branché sur l'interrupteur de la table à toupie. Les interrupteurs et les commandes des outils mécaniques doivent être à portée pour les situations d'urgence.

RENSEIGNEMENTS GÉNÉRAUX

L'interrupteur est conçu pour être utilisé avec la plupart des tables à toupie de BOSCH. Placé à la portée de la main, l'interrupteur MARCHE (REMISE EN MARCHE)-ARRÊT est situé sur le devant de la table, vous évitez ainsi de le chercher sous la table pour mettre la toupie en MARCHE ou pour l'ARRÊTER.

L'interrupteur est également muni d'un contrôle simultané MARCHE-ARRÊT facultatif pour un accessoire additionnel, par exemple une lumière ou un aspirateur eaux et poussières. L'interrupteur comprend un disjoncteur réenclencheur interne pour vous protéger contre les surcharges.

EXIGENCES ÉLECTRIQUES

Le cordon de la boîte de commutation ne doit être branché que dans une rallonge à trois brins de calibre 14 (ou supérieur) équipée d'une prise et d'une fiche à trois broches avec terre. La rallonge doit être branchée dans une prise adaptée, elle-même correctement installée par un électricien agréé et raccordée à la terre, conformément à tous les codes et réglementations locaux.

NE PAS UTILISER LES CORDONS RALLONGES ENDOMMAGÉS OU USÉS ET REMPLACEZ-LES IMMÉDIATEMENT.

Vous pourrez raccorder un cordon rallonge à trois trous aux prises d'alimentation situées à l'arrière de la boîte de commutation.

Les prises électriques situées à l'arrière de la boîte de commutation pourront recevoir les fiches à deux ou trois broches de la toupie ou de l'accessoire.

Dans le cas d'un dysfonctionnement ou d'une décharge disruptive, la mise à la terre assure un trajet de résistance moindre du courant électrique de façon à réduire le risque de choc électrique. La présente boîte de commutation est équipée d'un cordon d'alimentation qui comprend un connecteur de protection et une fiche de mise à la terre.

NE modifiez **PAS** la fiche de l'interrupteur si elle ne peut pas se raccorder au cordon rallonge. Procurez-vous plutôt un cordon rallonge muni d'une prise appropriée.

Un raccordement non conforme du conducteur de protection peut entraîner un risque de choc électrique. Le conducteur à isolation dont la surface est verte avec ou sans rayures jaunes désigne le conducteur de protection.

NE BRANCHEZ PAS LE CONDUCTEUR DE PROTECTION À UNE BORNE SOUS TENSION.

Vérifiez auprès d'un électricien qualifié si vous ne saisissez pas parfaitement le mode d'emploi de mise à la terre ou si vous doutez de la prise d'alimentation ou de l'état de la mise à la terre du cordon rallonge.

⚠ AVERTISSEMENT Vos doigts ne doivent pas toucher les bornes de la fiche lorsque vous branchez ou débranchez celle-ci de la prise. Risque de choc électrique.

⚠ AVERTISSEMENT Utilisez la boîte de commutation seulement lorsque cette dernière est correctement fixée à la table à toupie. Utilisez-la seulement avec une toupie qui a également été correctement installée sur une table à toupie correctement montée. De telles mesures de sécurité préventives réduisent le risque de blessure par perte de contrôle.

⚠ AVERTISSEMENT Ne dépassez pas un total de 15 ampères lorsque vous branchez la toupie et tout autre accessoire tel qu'une lampe ou un aspirateur eau et poussières. L'interrupteur a un calibre de 15 ampères.

RACCORDEMENT DU CORDON D'ALIMENTATION DE LA TOUPIE À L'INTERRUPTEUR

⚠ AVERTISSEMENT Avant de connecter votre toupie à la boîte de commutation de la table à toupie, assurez-vous que l'interrupteur de la toupie est sur ARRÊT et que la boîte de commutation de la table à toupie est débranchée. De telles mesures de sécurité préventives réduisent le risque d'une mise en marche involontaire de l'outil.

1. Branchez le cordon d'alimentation de la toupie sur l'une des prises électriques situées à l'arrière de la boîte de commutation (10).
2. Embobinez le cordon d'alimentation superflu.
3. Enroulez deux morceaux de ruban isolant ou d'une corde solide autour du cordon embobiné, à deux endroits opposés.
4. Laissez un peu de jeu pour que le cordon ne soit pas trop tendu une fois qu'il sera branché sur les prises de la boîte de commutation.
5. Si vous le souhaitez, branchez alors le cordon d'alimentation d'un accessoire comme une lumière ou un aspirateur à eaux/poussières dans l'autre prise au dos du boîtier de l'interrupteur.

⚠ AVERTISSEMENT Avant de commencer à travailler, assurez-vous que les cordons d'alimentation de la toupie, des accessoires de toupie et de la boîte de commutation ainsi que la rallonge ne sont pas et ne peuvent pas entrer en contact avec la toupie ou toute pièce rotative de la toupie. De telles mesures de sécurité préventives réduisent le risque de blessure par perte de contrôle.

Fonctionnement de la table à toupie

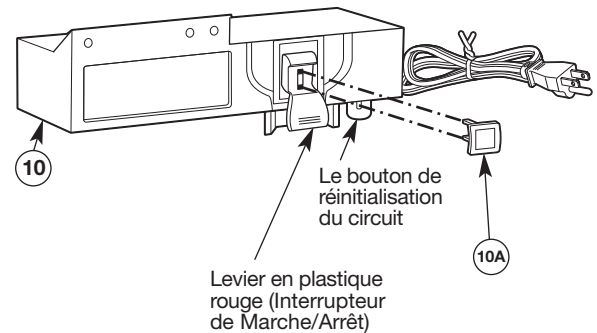
FONCTIONNEMENT DE L'INTERRUPTEUR (FIG. 18)

Cette section vous explique le fonctionnement et les caractéristiques de l'assemblage de la boîte de commutation avant de brancher le cordon d'alimentation dans une prise électrique. Le but est de familiariser l'utilisateur avec le fonctionnement de l'interrupteur sans mettre la toupie en MARCHÉ.

La boîte de commutation (10) (Fig. 18) comprend une clé de verrouillage (10A) pour éviter toute utilisation non autorisée par un tiers.

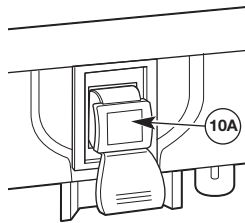
- La clé de verrouillage (10A) est la partie jaune sur le haut du levier en plastique rouge. La clé de verrouillage jaune **doit être complètement** insérée dans le haut du levier en plastique rouge et dans la boîte de commutation (10) avant que le levier ne puisse être mis sur MARCHÉ.
- Le bouton de réinitialisation du circuit de la boîte de commutation (10) est situé sur le côté inférieur droit de la boîte.

Fig. 18

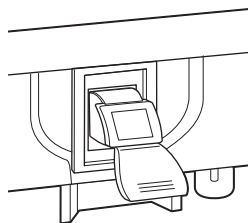


⚠ AVERTISSEMENT Assurez-vous que la rallonge n'est pas branchée dans une prise électrique avant de continuer.

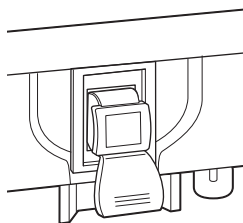
1. Assurez-vous que la clé de verrouillage jaune (10A) est complètement insérée dans le haut du levier en plastique rouge.



2. Pour allumer la toupie, levez le levier en plastique rouge dans la position MARCHÉ.
3. Pour éteindre la toupie, abaissez le levier en plastique rouge dans la position ARRÊT.

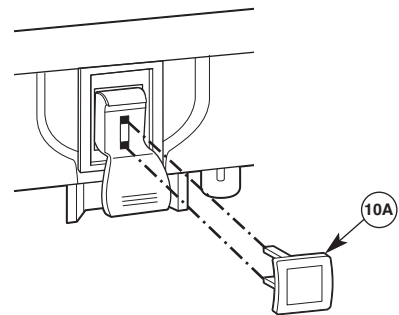


MARCHÉ (HAUT)



ARRÊT (BAS)

4. Pour éviter toute utilisation non autorisée, l'interrupteur peut être désactivé en retirant la clé de verrouillage jaune (10A) du haut du levier en plastique rouge.



Fonctionnement de la table à toupie

⚠ AVERTISSEMENT Avant de continuer, assurez-vous que l'interrupteur de la toupie est en position **ARRÊT** et que le levier de l'interrupteur est en position **ARRÊT**.

⚠ AVERTISSEMENT Ne laissez jamais la toupie sans surveillance si elle est en marche ou si elle n'est pas complètement arrêtée.

⚠ AVERTISSEMENT Avant de commencer à travailler, assurez-vous que les cordons d'alimentation de la toupie, des accessoires de toupie et de la boîte de commutation ainsi que la rallonge ne sont pas et ne peuvent pas entrer en contact avec la toupie ou toute pièce rotative de la toupie. De telles mesures de sécurité préventives réduisent le risque de blessure par perte de contrôle.

Le cordon d'alimentation de l'interrupteur doit maintenant être branché à la rallonge.

FONCTIONNEMENT DE LA TOUPIE ET DE L'INTERRUPTEUR

Cette section vous explique le fonctionnement de l'interrupteur avec le cordon d'alimentation branché à la rallonge.

La toupie sera mise en MARCHE lorsque le levier rouge de la boîte de commutation est levé dans la position MARCHE.

1. Placez l'interrupteur MARCHE/ARRÊT de la toupie sur MARCHE. Sur certaines toupies, il sera nécessaire d'utiliser le déclencheur mécanique et le bouton de « VERROUILLAGE ACTIVÉ ». (Consultez le manuel d'utilisation de la toupie.) **Assurez-vous que l'interrupteur de la boîte de commutation est sur la position ARRÊT.**
2. Pour allumer la toupie, levez le levier en plastique rouge dans la position MARCHE. Référez-vous à la page 55.
3. Pour éteindre la toupie, abaissez le levier en plastique rouge dans la position ARRÊT. Référez-vous à la page 55.

BOUTON DE RÉINITIALISATION DU CIRCUIT

REMARQUE : En cas de surcharge, le disjoncteur interne déclenchera l'assemblage de la boîte de commutation dans la position ARRÊT. L'alimentation électrique de la toupie et de toute accessoire branché à l'interrupteur sera coupée. **Dans ce cas, procédez comme suit:**

1. Poussez le levier en plastique rouge dans la position ARRÊT et débranchez le cordon d'alimentation de l'interrupteur de la prise murale ou de la rallonge.
2. Mettez l'interrupteur de la toupie dans la position ARRÊT.
3. Retirez la pièce à travailler de la table à toupie.
4. Corrigez la raison de cette surcharge. Par exemple, si un trop grand nombre d'accessoires est branché à l'interrupteur ou si l'ampérage global dépasse les caractéristiques de l'interrupteur, retirez l'accessoire en question. D'autres raisons peuvent inclure le retrait d'une trop grande portion de bois ou l'utilisation d'une vitesse trop importante.
5. Appuyez sur le bouton du disjoncteur sur le bas de la boîte de commutation.
6. Branchez le cordon d'alimentation dans la prise murale ou dans la rallonge.
7. Redémarrez la toupie comme indiqué dans la section **FONCTIONNEMENT DE LA TOUPIE ET DE L'INTERRUPTEUR** sur cette page.

⚠ AVERTISSEMENT Si la boîte de commutation ne fonctionne pas et vous avez déjà essayé de RÉINITIALISER le bouton de réinitialisation comme décrit ci-dessus :

- Débranchez TOUTES les connexions électriques.
- Retirez l'interrupteur de la table à toupie et commandez un interrupteur de remplacement en appelant le service à la clientèle BOSCH au 1-877-BOSCH99.

LORSQUE VOUS N'UTILISEZ PAS LA TABLE À TOUPIE

1. Assurez-vous que l'interrupteur est dans la position d'ARRÊT.
2. Retirez la clé de verrouillage (10A). Référez-vous à la page 55.
3. **Rangez la clé de verrouillage dans un endroit sûr, hors de portée des enfants et de toute personne non autorisée.**
4. Débranchez le cordon d'alimentation de l'interrupteur de la prise murale ou de la rallonge.
5. Retirez la fraise de la toupie.
6. Placez l'assemblage du mandrin à pince de la toupie sous le plan de travail de la table à toupie.

REMARQUE : S'il advenait que la clé soit perdue ou endommagée, des clés de remplacement sont disponibles en appelant le service à la clientèle BOSCH au 1-877-BOSCH99.

Fonctionnement de la table à toupie

CORDEMENT ET UTILISATION DE L'ASPIRATEUR EAUX ET POUSSIÈRES

⚠ AVERTISSEMENT Avant de connecter votre aspirateur à la boîte de commutation de la table à toupie, assurez-vous que l'interrupteur de l'aspirateur est sur la position **ARRÊT** et que la boîte de commutation de la table à toupie est **débranchée**. De telles mesures de sécurité préventives réduisent le risque d'une mise en marche involontaire de l'outil.

⚠ AVERTISSEMENT Ne dépassez pas un total de **15 ampères** lorsque vous branchez la toupie et tout autre accessoire tel qu'une lampe ou un aspirateur eau et poussières; L'interrupteur a un calibre de 15 ampères.

La cloison est munie d'un orifice pour le branchement d'un tuyau d'aspiration eaux et poussières dont la buse est de 2½ po de diamètre. Il suffit, pour le raccordement, de pousser la buse dans l'orifice tout en tenant en place la cloison.

⚠ MISE EN GARDE L'utilisation de la table à toupie sans l'emploi d'un aspirateur eaux et poussières peut entraîner une accumulation excessive de sciures et de copeaux de bois sous la cloison et le capot de protection, ce qui réduit du même coup l'efficacité de la table à toupie et de la cloison.

RECOMMANDATION : Afin d'optimiser l'efficacité, retirez au besoin, avec ou sans l'aspirateur eaux et poussières, les sciures et les copeaux de bois sous la cloison et le capot de protection.

RECOMMANDATION : Prenez l'habitude de toujours garder l'aire de travail propre. Retirez au besoin toute accumulation de sciures et de copeaux de bois tant sur le plateau de la table à toupie qu'autour de l'aire de travail et sur le sol.

⚠ AVERTISSEMENT Ne placez jamais vos doigts près d'une fraise en rotation ou sous le garde lorsque la toupie est branchée. De telles mesures de sécurité préventives réduisent le risque de blessure corporelle.

INSTALLATION DE LA FRAISE À DÉFONCER

⚠ AVERTISSEMENT Débranchez la toupie de l'alimentation électrique avant de faire des réglages ou de changer d'accessoire. De telles mesures de sécurité préventives réduisent le risque d'une mise en marche involontaire de l'outil.

Installez la fraise de la toupie selon les instructions fournies avec votre toupie. A cause de la grande diversité de fraises, certaines d'entre elles risquent de ne pas fonctionner de la façon prévue avec cette table à toupie.

Pour vous assurer que les fraises courantes fonctionneront de façon satisfaisante, installez la fraise de manière à ce que le mandrin à pince de la toupie recouvre 3/4 po de la queue de la fraise. Si la queue de la fraise est au point le plus bas dans le mandrin à pince, faites-la sortir d'environ 1/16 po pour permettre un serrement adéquat.

NE FIXEZ JAMAIS LES FRAISES EN LAISSANT MOINS DE 3/4 PO DE LA QUEUE INTRODUITE DANS LE MANDRIN À PINCE.

Fonctionnement de la table à toupie

ASSEMBLAGE DES GUIDES BISEAUTÉS (FIGS. 19-21)

REMARQUE : Le haut et l'avant de chaque guide à biseaute est marqué pour indiquer la bonne direction d'alimentation.

Guide biseauté du guide (Figs. 19 et 20)

1. Insérez deux boulons de carrosserie 1/4-20 x 1½ po (30) dans les fentes du guide biseauté (19). Voir la Fig. 19.
2. Faites glisser une grande rondelle (26) dans chaque boulon de carrosserie et vissez un petit bouton d'assemblage (17) en lui faisant faire trois ou quatre tours, dans chaque boulon de carrosserie.
3. Pour installer sur le guide, insérez une bague d'espacement (16) sur la tête de chaque boulon de carrosserie, en alignant les taquets de la bague d'espacement à la fente du guide biseauté (Fig. 20). Faites ensuite glisser les têtes de boulons de carrosserie dans la fente en T en haut du guide.

Guide biseauté de la table (Fig. 21)

1. Insérez deux boulons de carrosserie 1/4-20 x 1½ po (30) dans les fentes du guide biseauté (19).
2. Faites glisser une grande rondelle (26) dans chaque boulon de carrosserie et vissez un petit bouton d'assemblage (17) en lui faisant faire trois ou quatre tours, dans chaque boulon de carrosserie.
3. Pour installer le guide biseauté dans la fente de guide d'onglets sur la table, insérez les têtes des boulons de carrosserie dans la paire choisie de fentes en forme de clés sur la table (situées dans la fente du guide d'onglets). Resserrez ensuite fort les boutons de blocage.

Fig. 19

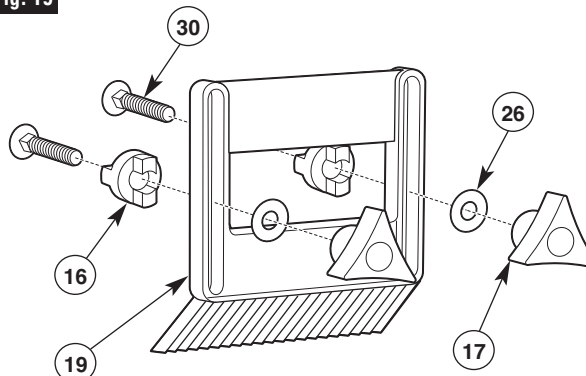


Fig. 20

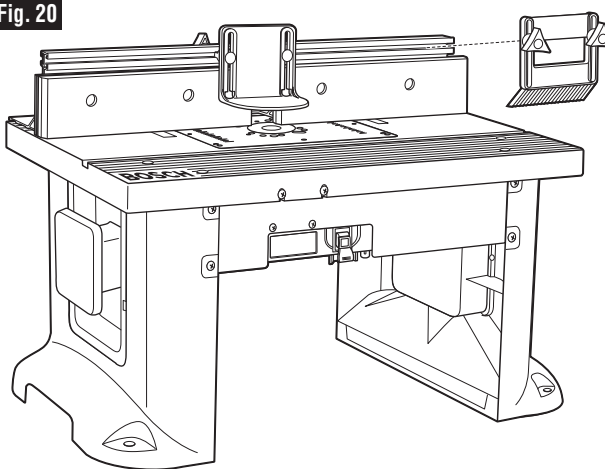
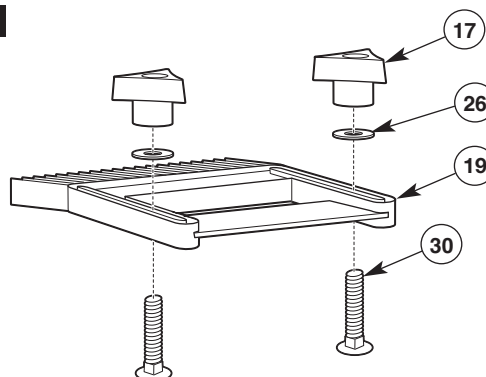


Fig. 21



Fonctionnement de la table à toupie

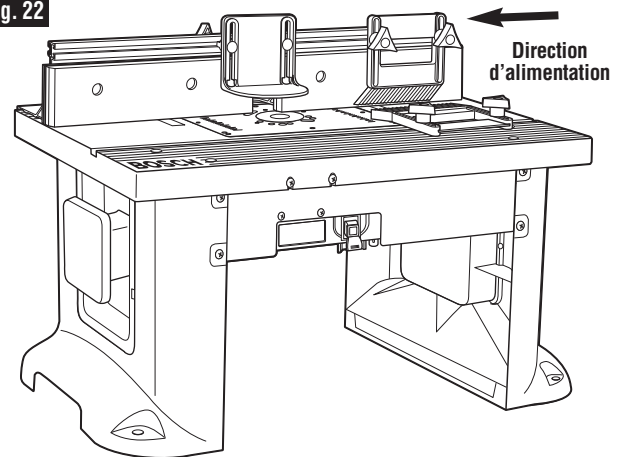
TOUPILLAGE À L'AIDE DES GUIDES BISEAUTÉS (FIG. 22)

Les guides biseautés sont très utiles pour contrôler la pièce à toupiller et aident à conserver la pièce à plat sur l'établi. Le guide biseauté de la table, combiné au guide biseauté du guide, aide à conserver la pièce à toupiller pressée contre la garde et la table. Le meilleur emplacement pour les guides biseautés varie selon votre application, la taille de la pièce à toupiller et d'autres facteurs.

1. Installez le guide biseauté sans serrer comme l'indique la page 58.
2. Placez la pièce à toupiller sur la table à toupie de manière à ce qu'elle soit carrément contre la garde.
3. Placez les guides biseautés contre la pièce à toupiller et serrez les boutons de serrage.
4. La pièce à toupiller devrait bouger avec une certaine résistance mais sans nécessiter un grand effort.
5. Pour des pièces à toupilles plus grandes, vous ne pouvez pas utiliser le guide à languettes de table à toupie. Vous pouvez mettre le second guide à languettes contre la garde, le cas échéant.

Vous pouvez acheter d'autres guides biseautés modèle RA1187 chez votre détaillant Bosch.

Fig. 22



⚠ AVERTISSEMENT Ne lâchez jamais la pièce à travailler pendant le toupillage avant que la coupe ne soit terminée et que la pièce à travailler ne soit complètement dégagée de la fraise. De telles mesures de sécurité préventives réduisent le risque de blessure corporelle et/ou de dommages à la propriété.

- Les guides biseautés permettent de maintenir la pièce à travailler en position lors du toupillage sur une table à toupie.
- Ils ne sont pas conçus pour maintenir, à eux seuls, la pièce à travailler lorsque cette pièce entre en contact avec la fraise ou à tout autre moment où la fraise est en rotation.

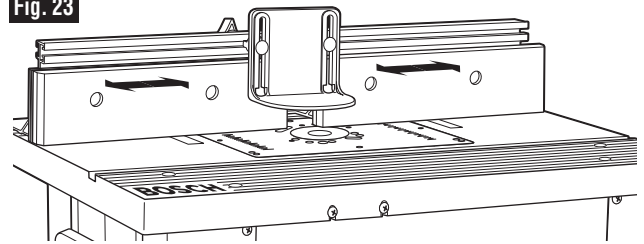
⚠ AVERTISSEMENT Pour un toupillage de précision et un meilleur contrôle, la pièce à travailler doit être maintenue contre le guide de la table à toupie lors du toupillage.

RÉGLAGE DU PAREMENT DU GUIDE (FIG. 23)

Les parements de gauche et de droite du guide sont fixés à la face frontale du guide de la table à toupie et ils peuvent être réglés vers l'intérieur ou l'extérieur par rapport à la fraise de la toupie afin d'obtenir le jeu qui convient pour les différentes tailles de fraise. Afin de bénéficier du meilleur soutien possible durant les manœuvres de toupillage, les parements du guide devraient être aussi près que possible de la fraise sans entrer en contact avec elle (la distance optimale est normalement ca. 1/4 po de la fraise).

1. Desserrez les deux boutons de serrage au dos des parements du guide et faites glisser les parements vers l'intérieur ou l'extérieur par rapport à la fraise de la toupie selon le besoin.

Fig. 23



⚠ AVERTISSEMENT Veuillez toujours maintenir la pièce à travailler contre le guide lorsque vous toupillez. De telles mesures de sécurité préventives augmentent la précision du toupillage et améliorent le contrôle de la pièce à travailler, réduisant ainsi le risque de blessure corporelle.

2. Une fois que les parements du guide sont à la position désirée, serrez les boutons de serrage À FOND.

Fonctionnement de la table à toupie

RÉGLAGE DE LA PROFONDEUR ET DE LA HAUTEUR DE LA COUPE (FIG. 24)

1. Choisissez une planche qui est lisse et droite, avec des bords bien carrés.
2. Marquez les lignes A et B au bout de la planche, comme illustré au détail 24.
 - La ligne A indique la *hauteur de coupe* souhaitée.
 - La ligne B indique la *profondeur de coupe* souhaitée.
 - La zone délimitée par A et B et le bord de la planche est la zone qui sera découpée.
3. En suivant les instructions livrées avec votre toupie, réglez la hauteur de coupe de la toupie jusqu'à ce que le haut de la fraise de la toupie soit aligné avec la ligne A.
4. Si la profondeur de coupe souhaitée peut être découpée en une seule passe, desserrez les boutons de serrage du guide et avancez ou reculez celui-ci jusqu'à ce que le bord de coupe le plus externe de la fraise de la toupie soit aligné avec la ligne B. Vous devrez peut-être repositionner le garde afin d'avoir un libre accès.

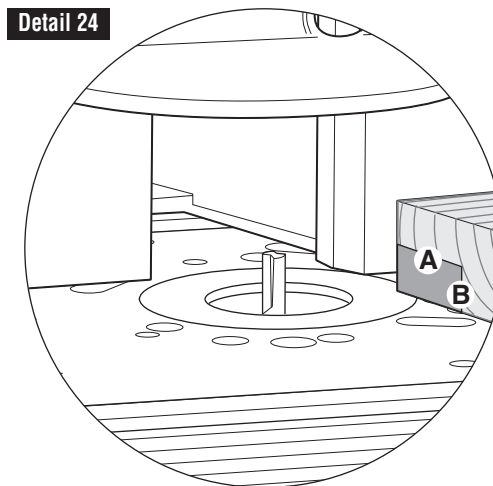
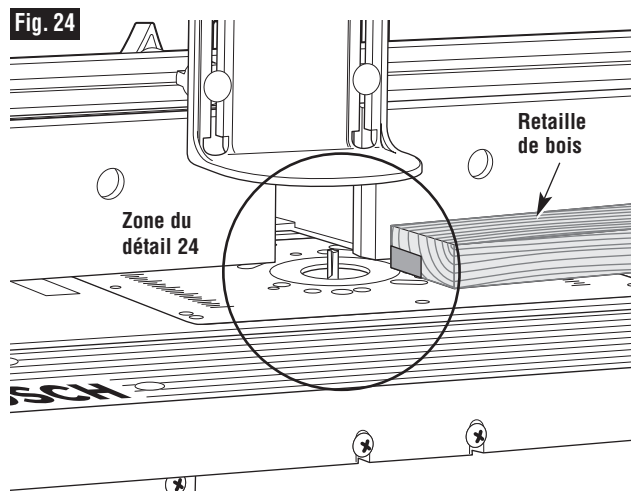
REMARQUE : Pour les coupes plus profondes, N'essayez PAS d'effectuer la coupe en une seule passe. Effectuez plusieurs coupes moins profondes, en avançant progressivement le guide vers l'arrière jusqu'à ce que vous atteigniez la profondeur de coupe souhaitée.

5. Utilisez les échelles sur le dessus de la table pour aligner le guide, puis serrez À FOND les deux boutons de serrage du guide.

⚠ AVERTISSEMENT Assurez-vous que le guide et le garde ne peuvent entrer en contact avec la fraise de la toupie. Le non-respect de cette règle peut entraîner des dommages à la table à toupie ou provoquer des blessures corporelles.

6. Une fois que tous les réglages sont faits, vérifiez une deuxième fois afin de vous assurer que :
 - la toupie est SOLIDEMENT serrée dans sa base;
 - la fraise de la toupie est SOLIDEMENT serrée dans le collet de la toupie avec un engagement d'au moins 3/4 po dans le mandrin;
 - la base de la toupie est SOLIDEMENT serrée sur le dessus de la table de la toupie.
7. Retirez la planche de la table.

REMARQUE : Lorsque vous effectuez des réglages, utilisez une retaille de bois pour effectuer des coupes d'essai avant de pratiquer la coupe sur la pièce à travailler véritable.



Fonctionnement de la table à toupie

COUPE EN BORD OU ASSEMBLAGE (FIGS. 25 ET 26)

Pour un maximum de solidité et de précision, les planches qui doivent être assemblées doivent être lisses et d'équerre. Les bords devraient être d'équerre avec les surfaces de la pièce à travailler. Vous pouvez dresser les bords en utilisant la table à toupie avec une fraise à dents droites.

REMARQUE : La cale d'assemblage peut être utilisée afin d'assurer un soutien continu pour la pièce à travailler au fur et à mesure qu'elle dépasse la fraise de la toupie.

⚠ AVERTISSEMENT Assurez-vous que le guide et le garde ne peuvent entrer en contact avec la fraise de la toupie. Le non-respect de cette règle peut entraîner des dommages à la table à toupie ou provoquer des blessures corporelles.

1. Desserrez les boutons de blocage sur le guide de gauche vous faisant face.
2. Alignez la fente de la/des cale/s d'épaisseur aux trous du guide vous faisant face et faites glisser la/les cale/s d'épaisseur entre le guide et le guide de gauche vous faisant face (Fig. 25).
Utilisez un cale pour une coupe de 1/16 po. ou deux cales pour une coupe de 1/8 po.

3. Installez une fraise à dents droites sur la toupie.
4. Mettez en position les parements du guide de façon qu'il y ait un dégagement de 1/4 po de la fraise.
5. Serrez les quatre boutons de serrage qui maintiennent les parements du guide en place.
6. Placez une règle ou un morceau de bois droit sur la table afin qu'elle repose contre le parement du guide de gauche.
7. Reculez le guide jusqu'à ce que la règle soit en alignement avec le bord de coupe de la fraise et est toujours en contact avec le parement du guide de gauche.
8. Serrez les boutons de serrage.
9. Enlevez la règle ou la planche.
10. Réglez la hauteur de la fraise de façon qu'elle coupe sur l'épaisseur totale de la pièce à travailler.
11. Mettez en place les guides biseautés, le cas échéant. Consultez TOUPILLAGE À L'AIDE DES GUIDES BISEAUTÉS à la page 59.
12. Enlevez la planche de la table et abaissez le garde supérieur à la position de fonctionnement. Serrez À FOND les boutons de serrage du garde.

REMARQUE : Lorsque vous effectuez des réglages, utilisez une retaille de bois pour effectuer des coupes d'essai avant d'effectuer la coupe sur la pièce réelle à travailler.

13. Assurez-vous que non seulement la toupie mais également la boîte de l'interrupteur sont à l'ARRÊT, puis branchez la toupie dans la boîte de l'interrupteur.

Fig. 25

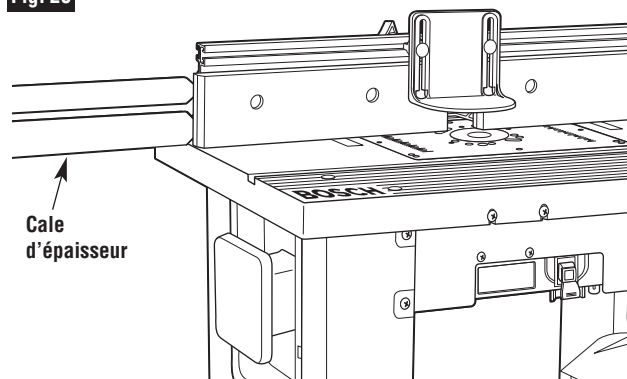
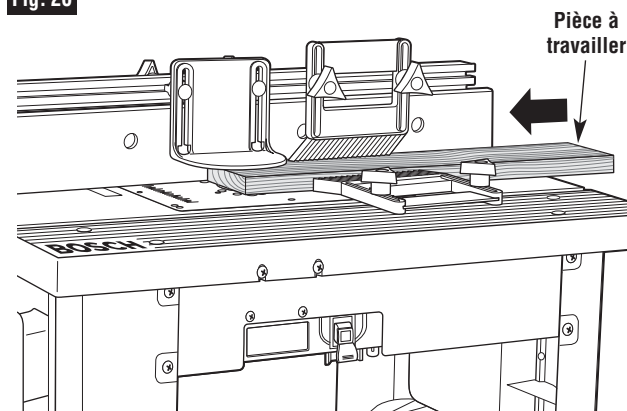


Fig. 26



14. Tout en tenant fermement une retaille de bois contre le guide et en l'appuyant contre la table de la toupie, faites avancer une retaille de bois vers la mèche dans le sens de la flèche à la Fig. 26.
15. À l'aide de la boîte de commutation, mettez la toupie à l'ARRÊT. Si vous devez effectuer des réglages, débranchez le cordon d'alimentation et répétez les étapes 6 à 11 jusqu'à ce que tous les réglages soient corrects. Une fois que vous êtes satisfait de tous les réglages, effectuez la coupe sur la pièce à travailler véritable.

Fonctionnement de la table à toupie

COUPE EN BORD AVEC DES FRAISES DE TOUPIE NON-PILOTÉE (FIGS. 27 ET 28)

⚠ AVERTISSEMENT Débranchez la toupie de l'alimentation électrique avant de faire des réglages ou de changer d'accessoire. De telles mesures de sécurité préventives réduisent le risque d'une mise en marche involontaire de l'outil.

REMARQUE : Si la cale d'assemblage est installée, retirez-la avant de continuer.

Lorsque vous utilisez des fraises à toupie SANS AVANT-TROUS, le guide sert à déterminer la profondeur de coupe. Pour les coupes profondes, n'essayez pas d'effectuer la profondeur de coupe totale en une passe. Répétez la coupe, en effectuant plusieurs coupes plus petites.

1. Posez la fraise souhaitée dans la toupie.
2. Suivez les instructions données à la page 60 pour régler la profondeur et la hauteur de coupe souhaitées (Fig. 27). Assurez-vous que le guide et la toupie sont SOLIDEMENT en place.
3. Mettez en position les deux parements de guide afin qu'il y ait un dégagement de 1/4 po autour de la fraise.
4. Serrez les quatre boutons de serrage qui maintiennent les parements du guide en place.
5. Mettez en place les guides biseautés, le cas échéant. Consultez TOUPILLAGE À L'AIDE DES GUIDES BISEAUTÉS à la page 59.
6. Retirez la planche de la table et abaissez le garde supérieur à la position de fonctionnement. Serrez À FOND les boutons de serrage.

REMARQUE : Lorsque vous effectuez des réglages, utilisez une retaille de bois pour effectuer une coupe d'essai avant d'effectuer la coupe sur la pièce à travailler véritable.

7. Assurez-vous que non seulement la toupie mais la boîte de commutation sont à l'ARRÊT, puis branchez la toupie dans la boîte de l'interrupteur.
8. Tout en tenant fermement une retaille de bois contre le guide et en l'appuyant contre la table de la toupie, faites avancer une retaille de bois vers la fraise dans la direction de la flèche à la Fig. 28.
9. À l'aide de la boîte de commutation, mettez la toupie à l'ARRÊT. Si des réglages sont nécessaires, débranchez le cordon d'alimentation et répétez les étapes 2 à 8 jusqu'à ce que tous les réglages soient corrects. Une fois que vous êtes satisfait de tous les réglages, effectuez la coupe sur la pièce à travailler.

Fig. 27

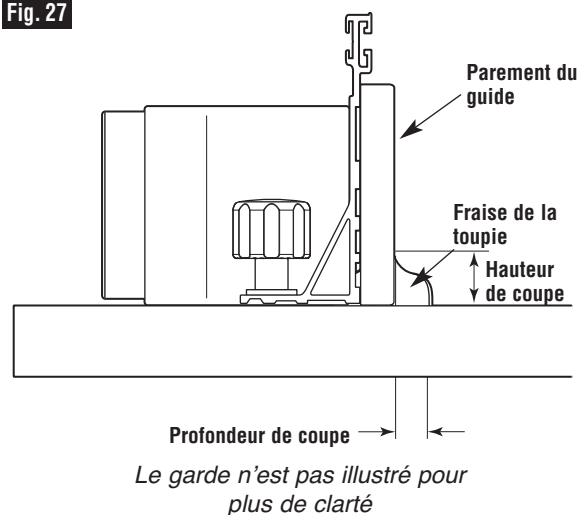
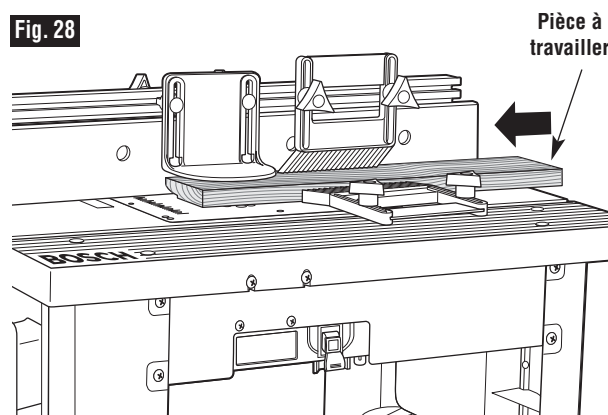


Fig. 28



Fonctionnement de la table à toupie

COUPE EN BORD AVEC DES FRAISES DE TOUPIE À AVANT-TROU (FIGS. 29 ET 30)

⚠ AVERTISSEMENT Débranchez la toupie de l'alimentation électrique avant de faire des réglages ou de changer d'accessoire. De telles mesures de sécurité préventives réduisent le risque d'une mise en marche involontaire de l'outil.

REMARQUE : Si la cale d'assemblage est installée, retirez-la avant de continuer.

1. Installez la fraise à avant-trous souhaitée dans la toupie.
2. Suivez les instructions données à la page 60 pour régler la hauteur de coupe souhaitée (Fig. 29). Assurez-vous que la toupie et SOLIDEMENT en place.
3. Réglez le dos du guide de la table de la toupie juste assez pour que l'avant-trou sur la fraise de la toupie détermine la profondeur de coupe. L'avant-trou de la fraise de la toupie devrait à peine dépasser les parements du guide. Serrez les boutons de serrage du guide À FOND.
4. Mettez en position les parements du guide afin qu'il y ait un dégagement de 1/4 po autour de la fraise.
5. Serrez les quatre boutons de serrage qui maintiennent les parements du guide en place.
6. Retirez la planche de la table et abaissez le garde supérieur à la position de fonctionnement. Serrez À FOND les boutons de serrage.

REMARQUE : Lorsque vous effectuez des réglages, utilisez une retaille de bois pour effectuer une coupe d'essai avant d'effectuer la coupe sur la pièce à travailler véritable.

7. Assurez-vous que non seulement la toupie mais la boîte de commutation sont à l'ARRÊT, puis branchez la toupie dans la boîte de l'interrupteur.
8. Tout en tenant fermement une retaille de bois contre le guide et en l'appuyant contre la table de la toupie, faites avancer une retaille de bois vers la fraise dans la direction de la flèche à la Fig. 30.
9. À l'aide de la boîte de commutation, mettez la toupie à l'ARRÊT. Si des réglages sont nécessaires, débranchez le cordon d'alimentation et répétez les étapes 2 à 8 jusqu'à ce que tous les réglages soient corrects. Une fois que vous êtes satisfait de tous les réglages, effectuez la coupe sur la pièce à travailler.

Fig. 29

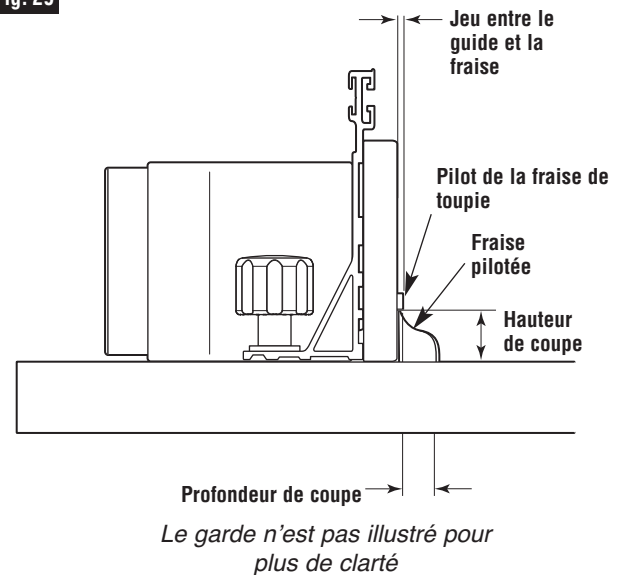
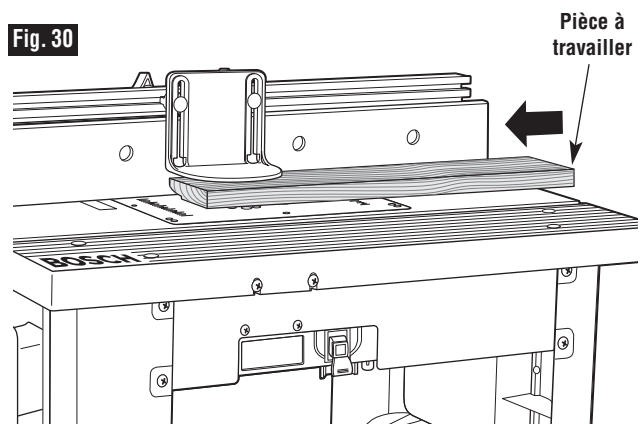


Fig. 30



Fonctionnement de la table à toupie

RAINURAGE, GOUGEAGE ET NERVURAGE (FIGS. 31 ET 32)

⚠ AVERTISSEMENT

Débranchez la toupie de l'alimentation électrique avant de faire des réglages ou de changer d'accessoire. De telles mesures de sécurité préventives réduisent le risque d'une mise en marche involontaire de l'outil.

REMARQUE : Si la cale d'assemblage est installée, retirez-la avant de continuer.

Lorsque vous toupillez, il est recommandé d'utiliser des guides biseautés et un pousoir.

Pour de meilleurs résultats et un maximum de précision, le côté de la pièce à travailler qui s'appuiera contre le guide doit être d'équerre et droit.

Si vous utilisez un aspirateur à eaux/ poussières, il faut le brancher à l'orifice prévu à cet effet au dos du meuble de la table.

1. Installez la fraise de coupe en bout souhaitée dans la toupie.
2. Suivez les instructions en page 60 pour régler la profondeur et la hauteur de coupe souhaitée (Fig. 31). Assurez-vous que le guide et la toupie sont **SOLIDEMENT** en place.

IMPORTANT : Pour les coupes profondes, n'essayez pas de couper la profondeur totale (déterminée par la hauteur de la fraise de la toupie) en une seule passe. Répétez la coupe, en effectuant des coupes plus petites jusqu'à ce que vous atteigniez la profondeur de coupe souhaitée.

3. Mettez en position les parements du guide de façon à ce qu'ils offrent un soutien continu à la pièce à travailler.
4. Serrez les quatre boutons de serrage qui maintiennent les parements du guide en place.
5. Mettez en place les guides biseautés, le cas échéant. Consultez TOUPILLAGE À L'AIDE DES GUIDES BISEAUTÉS à la page 59.
6. Retirez la planche de la table et abaissez le garde supérieur à la position de fonctionnement. Serrez À FOND les boutons de serrage.

REMARQUE : Lorsque vous effectuez des réglages, utilisez une retaille de bois pour effectuer une coupe d'essai avant d'effectuer la coupe sur la pièce à travailler véritable.

7. Assurez-vous que non seulement la toupie mais la boîte de commutation sont à l'ARRÊT, puis branchez la toupie dans la boîte de l'interrupteur.

Fig. 31

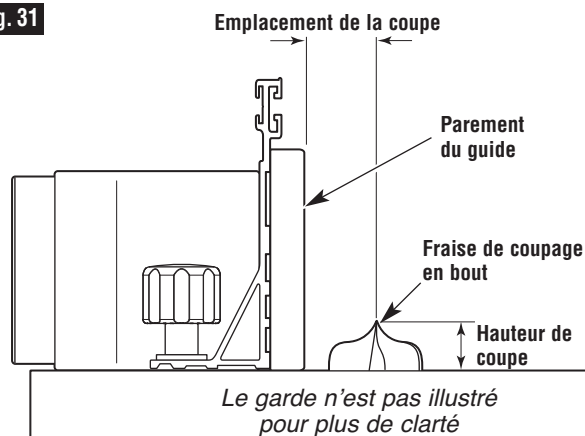
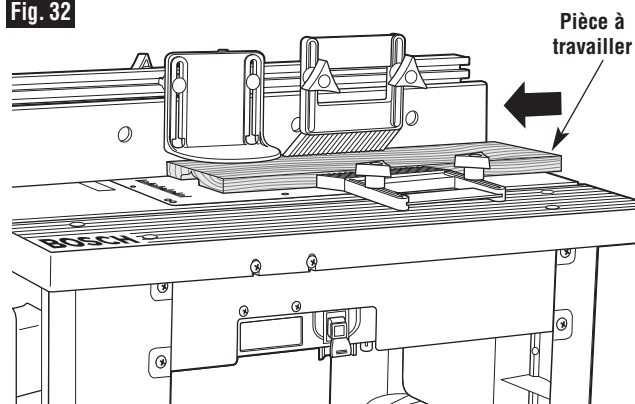


Fig. 32



8. Tout en tenant fermement une retaille de bois contre le guide et en l'appuyant contre la table de la toupie, faites avancer une retaille de bois vers la fraise dans la direction de la flèche à la figure 32.
9. À l'aide de la boîte de commutation, mettez la toupie à l'ARRÊT. Si des réglages sont nécessaires, débranchez le cordon d'alimentation et répétez les étapes 2 à 8 jusqu'à ce que tous les réglages soient corrects. Une fois que vous êtes satisfait de tous les réglages, effectuez la coupe sur la pièce à travailler.

Fonctionnement de la table à toupie

UTILISATION DE LA GOUPILLE DE DÉMARRAGE POUR LA FORMATION DES BORDS DE COURBE

La goupille de démarrage (20) est utilisée au lieu de la cloison pour les opérations qui nécessitent la taille des profils courbes de la pièce. Elle doit être utilisée seulement avec les fraises qui possèdent des paliers pilotes. Vissez le taquet de départ dans le trou taraudé de la plaque de montage et fixez solidement à l'aide d'un tournevis pour écrou à fente (Fig. 33).

Attachez le protecteur (21) de la goupille de démarrage à la plaque de montage en vissant une vis à métaux à tête bombée n° 10-32 x 3/8 po (22) dans le trou du montant du protecteur et dans le trou fileté de la plaque de montage. Alignez la garde au trou de la plaque de montage de manière à ce qu'elle soit au dessus de la fraise et fixez solidement la garde en place.

- Utilisez toujours le protecteur de la goupille de démarrage pour toupiller avec la goupille de démarrage.
- Lors de l'utilisation de la goupille de démarrage, le sens de l'avance de la pièce est toujours de droite à gauche (Fig. 34).
- Réglez la pièce contre l'avant de la goupille de démarrage et basculez-la lentement dans la fraise.
- Pendant le toupillage, assurez-vous que la pièce est toujours en contact avec le palier pilote de la lame.

⚠ AVERTISSEMENT Utilisez le garde du taquet de démarrage pour ce type d'opération. N'essayez pas de toupiller de toutes petites pièces. Éloignez les doigts de la fraise en rotation.

Fig. 33

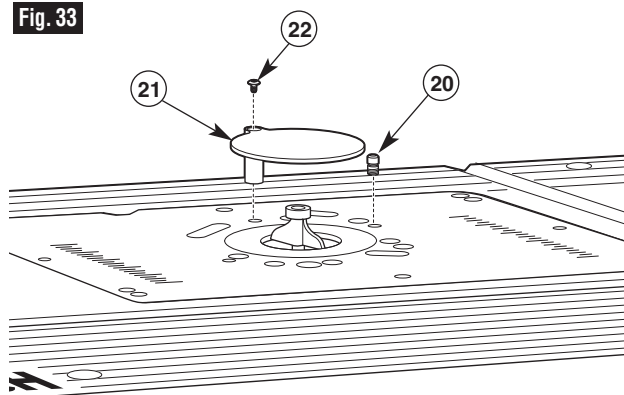
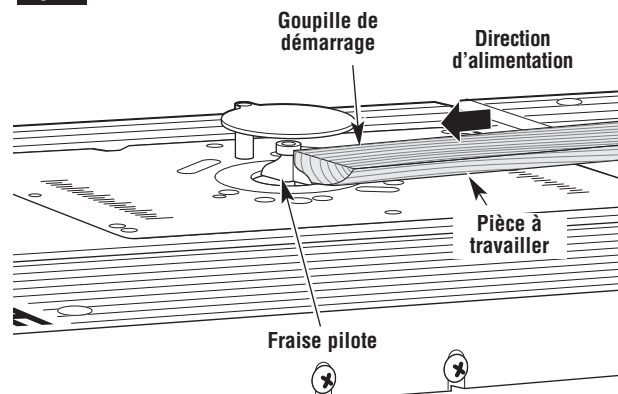


Fig. 34

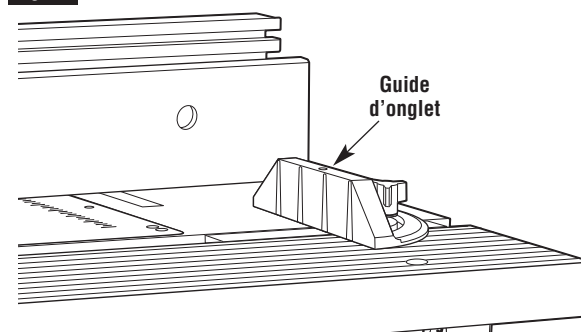


UTILISATION D'UN GUIDE D'ONGLET (non fourni)

On peut se servir de la fente prévue pour guide d'onglet en aluminium avec la plupart des guides d'onglet de banc de scie qui mesurent 3/4 po de largeur x 3/8 po de profondeur.

REMARQUE : Pour tous les toupillages qui exigent l'utilisation d'un guide d'onglet avec le guide de la table à toupie, assurez-vous d'aligner ce dernier avec la fente du guide d'onglet dans la table à toupie avant d'effectuer une coupe quelconque. On peut couper des onglets en desserrant le bouton sur la tête du rapporteur d'angles, en tournant la tête du rapporteur d'angles à 60° dans un sens ou dans l'autre et en resserrant le bouton de la tête du rapporteur d'angles.

Fig. 35



Contenido

INSTRUCCIONES IMPORTANTES

DE SEGURIDAD	66–70	Montaje de la mesa de fresado	74–84
Lista de piezas	70–73	Operación de la mesa de fresado	85–96

Normas de seguridad para herramientas mecánicas

⚠ ADVERTENCIA Lea y entienda el manual de se fresador y estas instrucciones. El incumplimiento de todas las instrucciones indicadas a continuación puede dar lugar a lesiones personales graves.

CONSERVE ESTAS INSTRUCCIONES

Area de trabajo

Mantenga el área de trabajo limpia y bien iluminada. Las mesas desordenadas y las áreas oscuras invitan a que se produzcan accidentes.

No utilice herramientas mecánicas en atmósferas explosivas, tales como las existentes en presencia de líquidos, gases o polvos inflamables. Las herramientas mecánicas generan chispas y éstas pueden dar lugar a la ignición del polvo o los vapores.

Mantenga a las personas que se encuentren presentes, a los niños y a los visitantes alejados al utilizar una herramienta mecánica. Las distracciones pueden hacer que usted pierda el control.

Seguridad eléctrica

Las herramientas con conexión a tierra deben enchufarse en un tomacorriente instalado y conectado a tierra adecuadamente de acuerdo con todos los códigos y ordenanzas. Nunca quite el terminal de conexión a tierra ni modifique el enchufe de ninguna forma. No utilice enchufes adaptadores. Consulte a un electricista calificado si tiene dudas sobre si el tomacorriente está conectado a tierra adecuadamente. En caso de que las herramientas tengan algún funcionamiento defectuoso o avería de tipo eléctrico, la conexión a tierra proporciona una ruta de resistencia baja para transportar la electricidad alejándola del usuario. La conexión incorrecta a tierra puede causar sacudidas eléctricas, quemar o electrocutar. Las herramientas con conexión a tierra están equipadas con un cordón de tres conductores y enchufes del tipo de tres terminales. *Antes de enchufar la herramienta, asegúrese de que la tensión del tomacorriente suministrada se encuentre dentro del margen de la tensión especificada en la placa del fabricante. No utilice herramientas con capacidad nominal "AC solamente" ("AC only") con una fuente de energía DC.*

Las herramientas con aislamiento doble están equipadas con un enchufe polarizado (un terminal es más ancho que el otro). Este enchufe entrará en un tomacorriente polarizado solamente de una manera. Si el enchufe no entra por completo en el tomacorriente, déle la vuelta. Si sigue sin entrar, póngase en contacto con un electricista competente para instalar un tomacorriente polarizado. No haga ningún tipo de cambio en el enchufe. El aislamiento doble elimina la necesidad del sistema de cordón de energía de tres hilos conectado a tierra y la fuente de energía conectada a tierra. *Antes de enchufar la herramienta, asegúrese de que la tensión del tomacorriente suministrada se encuentre dentro del margen de la tensión especificada en la placa del fabricante. No utilice herramientas con capacidad nominal "AC solamente" ("AC only") con una fuente de energía DC.*

Evite el contacto del cuerpo con las superficies conectadas a tierra tales como tuberías, radiadores, estufas de cocina y refrigeradores. Hay mayor riesgo de que se produzcan sacudidas eléctricas si su cuerpo está conectado a tierra. Si la utilización de la herramienta mecánica en lugares húmedos es inevitable, se debe usar un interruptor de circuito para fallos a tierra para

suministrar la energía a la herramienta. Los guantes de goma para electricista y el calzado antideslizante aumentarán más la seguridad personal.

No exponga las herramientas mecánicas a la lluvia ni a situaciones húmedas. La entrada de agua en una herramienta mecánica aumentará el riesgo de que se produzcan sacudidas eléctricas.

No abuse del cordón. Nunca use el cordón para llevar las herramientas ni para sacar el enchufe de un tomacorriente. Mantenga el cordón alejado del calor, el aceite, los bordes afilados o las piezas móviles. Cambie los cordones dañados inmediatamente. Los cordones dañados aumentan el riesgo de que se produzcan sacudidas eléctricas.

Al utilizar una herramienta mecánica a la intemperie, utilice un cordón de extensión para intemperie marcado "W-A" o "W." Estos cordones tienen capacidad nominal para uso a la intemperie y reducen el riesgo de que se produzcan sacudidas eléctricas. Consulte "Información importante para cordones de extensión" en el manual de la operación de su fresadora.

Seguridad personal

Manténgase alerta, fíjese en lo que está haciendo y use el sentido común cuando utilice una herramienta mecánica. No use la herramienta cuando esté cansado o se encuentre bajo la influencia de drogas, alcohol o medicamentos. Un momento de distracción al utilizar herramientas mecánicas puede dar lugar a lesiones personales graves.

Mantenga los protectores de seguridad en su lugar. Mantenga los protectores de seguridad en orden, ajustados y alineados correctamente.

Evite el arranque accidental. Asegúrese de que el interruptor esté en la posición "OFF" (apagado) antes de enchufar la herramienta. El llevar las herramientas con el dedo en el interruptor o el enchufar herramientas que tengan el interruptor en la posición "ON" (encendido) invita a que se produzcan accidentes.

Quite las llaves de ajuste o de tuerca antes de encender la herramienta. Una llave de ajuste o de tuerca que se deje puesta en una pieza giratoria de la herramienta puede ocasionar lesiones personales.

No intente alcanzar demasiado lejos. Mantenga un apoyo de los pies y un equilibrio adecuados en todo momento. El apoyo de los pies y el equilibrio adecuados permiten un mejor control de la herramienta en situaciones inesperadas.

Utilice gafas de seguridad (protección para la cabeza): Utilice gafas de seguridad (deben cumplir con el estándar Z87.1 de ANSI) en todo momento. Utilice calzado antideslizante y un casco fuerte, si es apropiado. Utilice también una máscara para la cara o para evitar el polvo si la operación de corte produce polvo, y protectores para los oídos (tapones u orejeras) durante periodos prolongados de operación.

Normas de seguridad para herramientas mecánicas

Utilización y cuidado de las herramientas

Utilice abrazaderas u otro modo práctico de fijar y soportar la pieza de trabajo a una plataforma estable. La sujeción de la pieza de trabajo con la mano o contra el cuerpo resulta inestable y puede ocasionar pérdida de control.

No fuerce la herramienta. Use la herramienta correcta para la aplicación que desea. La herramienta correcta hará el trabajo mejor y con más seguridad a la capacidad nominal para la que está diseñada.

No utilice la herramienta si el interruptor no la enciende o apaga. Toda herramienta que no se pueda controlar con el interruptor es peligrosa y debe ser reparada.

Desconecte el enchufe de la fuente de energía antes de hacer cualquier ajuste, cambiar accesorios o guardar la herramienta. Estas medidas de seguridad preventivas reducen el riesgo de arrancar la herramienta accidentalmente.

Mantenga los protectores de seguridad en su lugar. Mantenga los protectores de seguridad en orden, ajustados y alineados correctamente.

Guarde las herramientas que no esté usando fuera del alcance de los niños y otras personas no capacitadas. Las herramientas son peligrosas en las manos de los usuarios no capacitados.

Nunca deje las herramientas sin vigilancia. Apague la corriente. NO se aleje de la herramienta hasta que haya parado por completo.

Mantenga las herramientas con cuidado. Conserve las herramientas de corte afiladas y limpias. Las herramientas mantenidas adecuadamente, con bordes de corte afilados, tienen menos probabilidades de atascarse y son más fáciles de controlar.

Toda alteración o modificación constituye un uso incorrecto y puede tener como resultado una situación peligrosa.

Compruebe la desalineación o el atasco de las piezas móviles, la ruptura de piezas y cualquier otra situación que pueda afectar el funcionamiento de las herramientas. Si la herramienta está dañada, haga que realicen un servicio de ajustes y reparaciones a la herramienta antes de usarla.

Muchos accidentes son causados por herramientas mantenidas deficientemente. Establezca un programa de mantenimiento periódico para la herramienta.

Utilice únicamente accesorios que estén recomendados por el fabricante de su modelo. Los accesorios que pueden ser adecuados para una herramienta pueden volverse peligrosos cuando se utilizan en otra herramienta.

Servicio

El servicio de ajustes y reparaciones de una herramienta debe ser realizado únicamente por personal de reparaciones competente. El servicio o mantenimiento realizado por personal no competente podría ocasionar un peligro de que se produzcan lesiones. Por ejemplo: Los cables internos pueden colocarse mal o pellizcarse, los resortes de retorno de los protectores de seguridad pueden montarse inadecuadamente.

Al realizar servicio de ajustes y reparaciones de una herramienta, utilice únicamente piezas de repuesto idénticas. El uso de piezas no autorizadas o el incumplimiento de las instrucciones de mantenimiento puede ocasionar un peligro de que se produzcan sacudidas eléctricas o lesiones. Ciertos agentes de limpieza, tales como gasolina, tetracloruro de carbono, amoníaco, etc., pueden dañar las piezas de plástico.

Instrucciones adicionales de seguridad para la mesa de fresado

Levante la mesa de fresado sólo de los bordes. Levantar la mesa de otra superficie puede provocar lesiones personales.

No utilice la mesa de fresado hasta que se hayan completado todos los pasos de montaje y de instalación. Antes de cada uso, verifique que las fijaciones y las abrazaderas de la fresadora se encuentren ajustadas. Una mesa o fresadora flojas son inestables y pueden moverse durante el uso, lo que puede ocasionar daños a la propiedad o lesiones personales graves.

Desconecte la fresadora de la fuente de energía antes de instalar la fresadora en la mesa, efectuar ajustes, cambiar accesorios, quitar la fresadora de la mesa, realizar mantenimiento o almacenar la herramienta. Dichas medidas de seguridad reducen el riesgo de un accionamiento accidental de la herramienta.

No enchufe el cable de energía del motor de la fresadora en un tomacorriente de pared común. Siempre enchufe el cable de la fresadora dentro de la caja del interruptor de la mesa de fresado. Los interruptores y controles de las herramientas eléctricas deben hallarse a su alcance en situaciones de emergencia.

No toque con los dedos las terminales del enchufe cuando instale o quite el enchufe del tomacorriente. Riesgo de Descarga Eléctrica.

Antes de conectar la fresadora o aspiradora a la caja del interruptor de la mesa de fresado, verifique que la fresadora o el interruptor de la aspiradora estén apagados y que la caja del interruptor de la mesa de fresado se encuentre desenchufada. Dichas medidas de seguridad reducen el riesgo de un accionamiento accidental de la herramienta.

Antes de utilizar la mesa de fresado, verifique que la fresadora esté bien sujeta a la base de la mesa de fresado. Mientras trabaja, verifique periódicamente que las abrazaderas de sujeción de la base de la fresadora estén bien fijadas. Las vibraciones de las operaciones de corte pueden aflojar las abrazaderas del motor de la fresadora y éste podría caerse de la mesa.

Antes de comenzar a trabajar, verifique que los cables de energía de los accesorios de la fresadora, la caja del interruptor y el cable de extensión no puedan entrar en contacto con la fresadora o con cualquier pieza en movimiento de la fresadora. Dichas medidas de seguridad reducen el riesgo de lesiones debido a la pérdida de control.

No utilice la mesa de fresado sin la protección superior a menos que sea necesario para una operación de corte en particular.

Vuelva a colocar la protección inmediatamente después de finalizar la operación de corte. Quite todo el polvillo, astillas y otras partículas extrañas que pueden afectar su función. La protección ayudará a que las manos no entren en contacto accidental con la broca giratoria.

No utilice brocas de un diámetro de corte que supere el orificio de espacio de la placa de inserción de la superficie de la mesa o de los anillos de inserción. La broca podría entrar en contacto con las placas de inserción o anillos de inserción, lo que podría arrojar fragmentos.

Nunca use brocas desafiladas o dañadas. Las brocas dañadas pueden saltar durante el uso. Las brocas desafiladas requieren más fuerza para empujar la pieza de trabajo, lo que posiblemente puede provocar la rotura de la broca o el contragolpe del material.

Manipule las brocas afiladas con cuidado. Dichas medidas de seguridad reducen el riesgo de lesiones.

No modifique los anillos de inserción o los orificios de la broca de la placa de inserción. Coincida el diámetro de corte de la broca con el diámetro interno del anillo de inserción o del orificio de la broca de la placa de inserción de modo que la diferencia no sea menor a 1/16" sobre un lado. Los anillos de inserción se utilizan para reducir el espacio entre el diámetro de corte de la broca y la mesa para que las piezas de trabajo reciban un soporte total de la mesa.

Instale la broca de acuerdo con las instrucciones del manual de la fresadora. Sujete firmemente la broca de la fresadora en el portabrocas antes de efectuar cortes. Sujetar la broca antes de efectuar los cortes reduce el riesgo de que ésta se afloje durante el funcionamiento.

Nunca coloque los dedos cerca de una broca giratoria o bajo la protección cuando la fresadora se encuentra enchufada. Dichas medidas de seguridad reducen el riesgo de una lesión.

Nunca sostenga la pieza de trabajo en el lado de alimentación de salida de la broca. Presionar la pieza de trabajo contra el lado de alimentación de salida de la guía puede hacer que el material se trabo y provoque un contragolpe, lo que acercará su mano a la broca.

Controle la pieza de trabajo con la guía para mantener el control de la misma. No coloque la pieza de trabajo entre la broca de la fresadora y la guía mientras realiza el fresado sobre los bordes. Esta colocación hará que el material se trabaje, posiblemente provocando un contragolpe.

Sólo utilice las fresadoras para trabajar con madera, productos similares a la madera, plástico o laminados. No utilice la fresadora y la mesa de fresado para cortar metales o darles forma. Asegúrese de que la pieza de trabajo no contenga clavos u otros objetos duros. Cortar clavos puede provocar la pérdida de control de la herramienta o de la pieza de trabajo.

Nunca arranque la herramienta cuando la broca se encuentre dentro del material. El lado de corte de la broca puede trabar el material, provocando la pérdida de control de la pieza de trabajo.

Alimente la pieza de trabajo sólo en dirección opuesta a la rotación de la broca. No alimente la pieza de trabajo “desde atrás” dentro de la broca. La broca gira en sentido contrario a las agujas del reloj observada desde la parte superior de la mesa. La alimentación “desde atrás” hará que la pieza de trabajo “salte” sobre la broca, jalando la pieza de trabajo y posiblemente sus manos en dirección de la broca giratoria.

No alimente la pieza de trabajo dentro de la broca donde se encuentra la mayor parte de la pieza de trabajo entre la guía y la broca. Esto crea una “trampa de guía”, una situación peligrosa debido a que la broca queda expuesta. Esto hará que la pieza “salte y se aleje” de la superficie de la mesa, lo que podría provocar la pérdida de control durante el funcionamiento.

No corte material que se encuentre torcido, flojo o inestable. La mesa de fresado se encuentra diseñada para cortar material plano y recto. Si el material está un poco torcido, pero aún así se halla estable, corte el material con el lado cóncavo contra la mesa o la guía. Cortar el material con el lado cóncavo hacia arriba o alejado de la guía puede provocar que el material torcido o flojo ruede y genere un contragolpe, en cuyo caso el usuario perdería el control.

Utilice soportes auxiliares de alimentación de entrada y salida para piezas de trabajo largas o anchas. Las piezas de trabajo largas o grandes sin un soporte adecuado pueden saltar de la mesa o hacer que la mesa se vuelque.

Utilice empujadores, tablas de biselado montadas en forma vertical u horizontal (varillas con resorte) y otras portapiezas para sostener la pieza de trabajo. Los empujadores, tablas de biselado y portapiezas eliminan la necesidad de sostener la pieza de trabajo cerca de la broca giratoria.

Cuando esté fresando, nunca suelte la pieza de trabajo hasta finalizar el corte y la pieza ya no toque la broca. Dichas medidas de seguridad reducen el riesgo de lesiones y daños a la propiedad. Las tablas de biselado ayudan a sostener la pieza de trabajo en su lugar cuando utiliza una mesa de fresado. No están diseñadas para sostener la pieza de trabajo en su lugar cuando la pieza de trabajo está en contacto con la broca, o en cualquier otro momento en que la broca está girando.

Siempre sostenga la pieza de trabajo contra la guía de la mesa de fresado mientras trabaja. Dichas medidas de precaución aumentan la precisión del fresado y mejoran el control de la pieza de trabajo, lo que reduce el riesgo de lesiones.

Nunca deje la fresadora sin atención mientras se encuentra funcionando o antes de que se detenga por completo. Dichas medidas de seguridad reducen el riesgo de lesiones y daños a la propiedad.

No utilice la mesa como un banco o superficie de trabajo. Utilizarla con un objetivo diferente al original puede provocar daños y hacerla insegura durante el fresado.

Nunca se pare sobre la mesa ni la utilice como una escalera o andamio. La mesa podría inclinarse o la herramienta de corte podría contactarse accidentalmente.

Cuando realice un mantenimiento de la herramienta, sólo utilice piezas de repuesto BOSCH. Siga las instrucciones de la Sección de Mantenimiento de este manual. El uso de piezas no autorizadas o no seguir las instrucciones de mantenimiento pueden provocar lesiones personales.

Cierto polvo generado por el lijado, aserrado, amolado y taladrado mecánicos, y por otras actividades de construcción, contiene agentes químicos que se sabe que causan cáncer, efectos de nacimiento u otros daños sobre la reproducción. Algunos ejemplos de estos agentes químicos son:

- Plomo de pinturas a base de plomo
- Silice cristalina de ladrillos, cemento, y otros productos de mampostería
- Arsénico y cromo de madera tratada químicamente

Su riesgo por causa de estas exposiciones varía, dependiendo de con cuánta frecuencia realice este tipo de trabajo. Para reducir su exposición a estos agentes químicos: trabaje en un área bien ventilada y trabaje con equipo de seguridad aprobado, como por ejemplo máscaras antipolvo que estén diseñadas especialmente para impedir mediante filtración el paso de partículas microscópicas.

Ubicación incorrecta de la guía y avance incorrecto de la pieza de trabajo

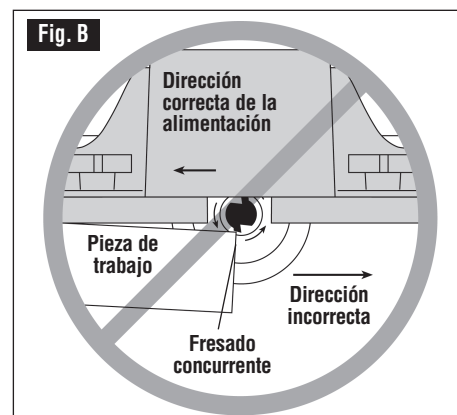
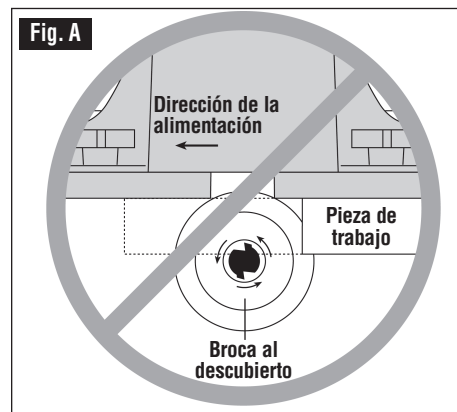
⚠ ADVERTENCIA No alimente la pieza de trabajo cuando la mayor parte de la misma se encuentre entre la guía y la broca. Esto crea un “trampa de la guía” que es peligrosa por dos razones:

- La parte frontal de la broca está expuesta durante la operación de corte (Fig. A).
- La broca puede realizar un “fresado concurrente”, donde la broca ingresa a la pieza de trabajo en la misma dirección que la dirección de la alimentación. Es probable que esto ocasione que la pieza de trabajo se “monte” fuera del inserto y que se pierda el control durante la operación (Fig. A).

⚠ ADVERTENCIA Alimente la pieza de trabajo sólo contra la rotación de la pieza.



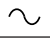
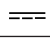
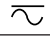



No “retroalimente” el trabajo en la broca. La broca gira en dirección contraria a las agujas del reloj, como se ve desde la parte superior de la mesa. “Retroalimentar” el trabajo es peligroso por dos razones:

- Ocasionará un fresado concurrente donde la pieza de trabajo se podrá “montar” fuera de la mesa, en la dirección de la rotación de la broca, desplazando la pieza de trabajo, y posiblemente sus manos, en la rotación de la broca (Fig. B).
- Es difícil mantener la pieza de trabajo contra la cara de la guía, ya que la rotación de la broca desplazará la pieza de trabajo fuera de la guía.



Símbolos

IMPORTANTE: Es posible que algunos de los símbolos siguientes se usen en su herramienta. Por favor, estúdielos y aprenda su significado. La interpretación adecuada de estos símbolos le permitirá utilizar la herramienta mejor y con más seguridad.

Símbolo	Nombre	Designación/explicación
V	Volts	Tensión (potencial)
A	Ampere	Corriente
Hz	Hertz	Frecuencia (ciclos por segundo)
W	Watt	Potencia
kg	Kilogramo	Peso
min	Minuto	Tiempo
s	Segundo	Tiempo
∅	Diámetro	Tamaño de las brocas taladradoras, muelas, etc.
n ₀	Velocidad sin carga	Velocidad rotacional sin carga
.../min	Revoluciones o alternación por minuto	Revoluciones, golpes, velocidad de superficie, órbitas, etc., por minuto
0	Posición "off" (apagado)	Velocidad cero, par motor cero...
1, 2, 3, ... I, II, III,	Graduaciones del selector	Graduaciones de velocidad, par motor, o posición Un número más alto significa mayor velocidad
	Selector infinitamente variable con apagado	La velocidad aumenta desde la graduación de 0
	Flecha	Acción en la dirección de la flecha
	Corriente alterna	Tipo o una característica de corriente
	Corriente continua	Tipo o una característica de corriente
	Corriente alterna o continua	Tipo o una característica de corriente
	Construcción de clase II	Designa las herramientas de construcción con aislamiento doble
	Terminal de toma de tierra	Terminal de conexión a tierra
	Símbolo de advertencia	Alerta al usuario sobre mensajes de advertencia
	Sello RBRCTM de Ni-Cd	Designa el programa de reciclaje de baterías de Ni-Cd



Este símbolo indica que esta herramienta cumple con la norma mexicana oficial (NOM).



Este símbolo indica que esta herramienta está catalogada por la Canadian Standards Association.



Este símbolo indica que esta herramienta está catalogada por Underwriters Laboratories y que Underwriters Laboratories la ha catalogado según las normas canadienses.



Este símbolo indica que componentes de esta herramienta estén reconocida por Underwriters Laboratories y que Underwriters Laboratories la ha reconocida según las normas canadienses.

Informaciones importantes sobre los cables de extensión

⚠ ADVERTENCIA Si es necesario un cable de extensión, se debe usar uno con conductores de tamaño adecuado que sea capaz de transportar la corriente necesaria para la herramienta. Esto evitará caídas de tensión excesivas, pérdida de potencia o el recalentamiento. Las herramientas conectadas a tierra deben usar cables de extensión de 3 hilos que tengan enchufes de 3 terminales y receptáculos para 3 terminales.

NOTA: Cuanto más pequeño es el número de calibre, más es el cable.

TAMAÑOS RECOMENDADOS DE CORDONES DE EXTENSION HERRAMIENTAS DE 120 V CORRIENTE ALTERNA

Capacidad nominal en amperes de la herramienta	Tamaño del cordón en A.W.G.				Tamaños del cable en mm ²			
	Longitud del cordón en pies				Longitud del cordón en metros			
	25	50	100	150	15	30	60	120
3-6	18	16	16	14	0,75	0,75	1,5	2,5
6-8	18	16	14	12	0,75	1,0	2,5	4,0
8-10	18	16	14	12	0,75	1,0	2,5	4,0
10-12	16	16	14	12	1,0	2,5	4,0	—
12-16	14	12	—	—	—	—	—	—

Lista de piezas

Consulte la lista de piezas siguiente y en las páginas 71–73.

- **⚠ ADVERTENCIA** Si falta **ALGUNA** de las piezas, no intente armar, instalar o usar su mesa de fresado hasta que todas las piezas faltantes estén en sus manos o las haya reemplazado y su mesa de fresado esté armada en forma correcta y completa según lo indicado en este manual.
- **Para piezas faltantes o si necesita asistencia técnica, llame al 1-877-BOSCH99 (877-267-2499).**
- A fin de simplificar el trabajo manual y de minimizar cualquier daño que pueda ocurrir durante el envío, la

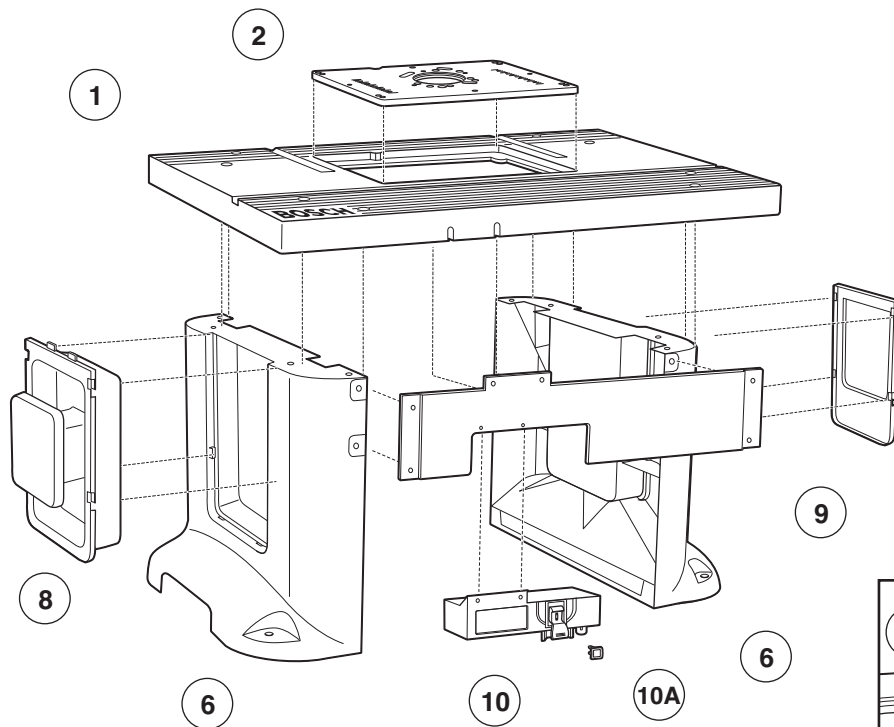
mesa de fresado viene casi totalmente desensamblada. Observe que el interruptor y algunos sujetadores fueron ensamblados previamente para facilitar la identificación e instalación.

- Separe todas las piezas de los materiales de empaque y compruebe cada pieza comparándola con las ilustraciones y la lista de piezas, para así asegurarse de que se hayan incluido todas las piezas. Hágalo antes de desechar cualquiera de los materiales de embalaje.

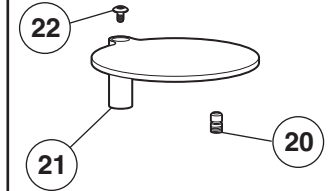
Clave No.	Descripción	Cantidad
COMPONENTES DE LA MESA DE FRESADO		
1	Superficie de la mesa de fresado	1
2	Placa de montaje de fresado	1
3	Inserto de la superficie de la mesa con diam. del orificio de 1"	1
4	Inserto de la superficie de la mesa con diam. del orificio de 2"	1
5	Inserto de la superficie de la mesa con diam. del orificio de 2 ³ / ₄ "	1
6	Pata de mesa	2
7	Panel de almacenamiento de las patas	1
8	Panel de envoltura del cable de las patas	1
9	Panel delantero de la fascia	1
10	Ensambladura del interruptor con llave de bloqueo	1
10A	Llave de bloqueo amarilla	1
COMPONENTES DE LA GUÍA		
11	Guía de aluminio	1
12	Refrentado de la guía	2
13	Abertura de vacío	1
14	Perilla de fijación grande (en bolsa de accesorios)	6
15	Protección superior	1
16	Espacador (en bolsa de accesorios)	6
17	Perilla de fijación pequeña (en bolsa de accesorios)	6
18	Cuña de unión de 1/16"	2
19	Tabla de biselado	2
COMPONENTES DE LA PATA DE ARRANQUE		
20	Pata de arranque	1
21	Protector de seguridad de la pata de arranque	1
22	Tornillo de máquina Phillips de cabeza segmental #10-32 x 3/8"	1

Lista de piezas

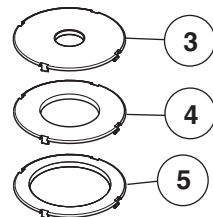
Componentes de la mesa de fresado



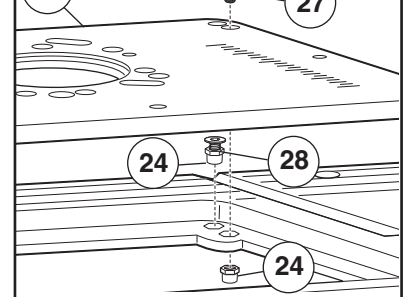
Componentes de la pata de arranque



Insertos de la superficie de la mesa



Placa de montaje de fresado



Componentes de la guía

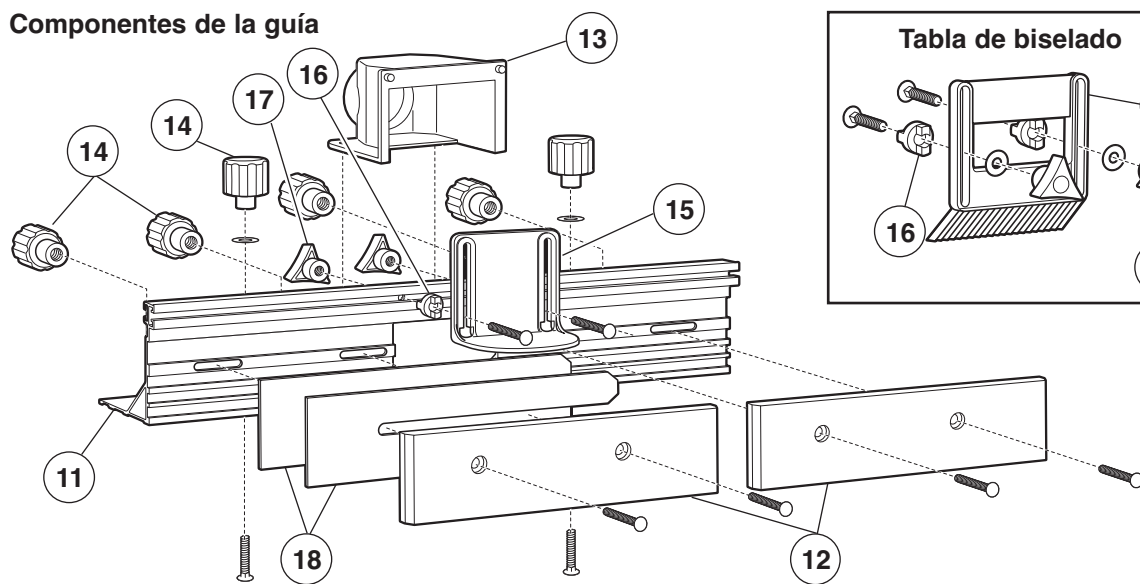
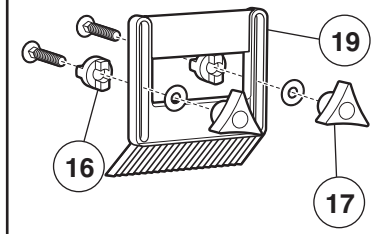


Tabla de biselado



Lista de piezas

Clave No.	Descripción	Cantidad
SUJETADORES (PARA EL ENSAMBLADO DE LA MESA DE FRESADO)		
23	Tuerca KEPS #10-32	8
24	Tuerca ESNA #10-32	12
25	Tuerca KEPS 1/4-20	8
26	Arandela 9/32" D.I. x 5/8" D.E. x 1/16"	8
27	Tornillo de máquina Phillips #10-32 x 1"	4
28	Tornillo de cabeza hueca embutida #10-32 x 3/4"	8
29	Tornillo de máquina Phillips de cabeza segmental #10-32 x 3/4"	8
30	Perno de carruaje 1/4-20 x 1 1/2"	8
31	Llave hexagonal de 1/8" (Llave Allen)	1
SUJETADORES (PARA EL ENSAMBLADO DE LA GUÍA)		
23	Tuerca KEPS #10-32	2
26	Arandela 9/32" D.I. x 5/8" D.E. x 1/16"	6
32	Tornillo de máquina Phillips embutido #10-32 x 5/8"	2
30	Perno de carruaje 1/4-20 x 1 1/2"	6
33	Perno de carruaje 1/4-20 x 1"	4
34	Perno de carruaje 1/4-20 x 1 3/4"	2
SUJETADORES (PARA MONTAR LAS FRESADORAS)		
25	Tuerca KEPS 1/4-20	4
26	Arandela 9/32" D.I. x 5/8" D.E. x 1/16"	2
35	Tornillo de máquina Phillips #10-32 x 1/2"	3
36	Tornillo de máquina Phillips #10-16 x 1/2"	2
37	Tornillo de máquina Phillips #10-24 x 1/2"	4
38	Tornillo de máquina Phillips #8-32 x 1/2"	3
39	Tornillo de máquina Phillips 5/16-18 x 1/2"	3

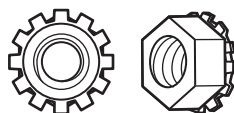
NOTA: La bolsa de herramientas contiene tornillos para varios modelos. Algunos de los cuales podrían no ser utilizados en la ensambladura de este modelo. Consulte la lista de partes anterior para verificar las cantidades y los tamaños correctos que se usan con esta mesa.



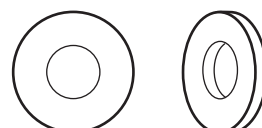
(23) Tuerca KEPS #10-32



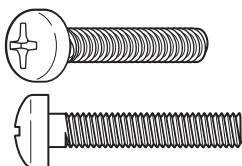
(24) Tuerca ESNA #10-32



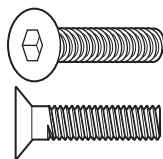
(25) Tuerca KEPS 1/4-20



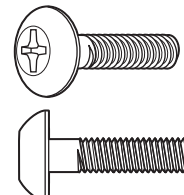
(26) Arandela 9/32" D.I. x 5/8" D.E. x 1/16"



(27) Tornillo de máquina Phillips #10-32 x 1"

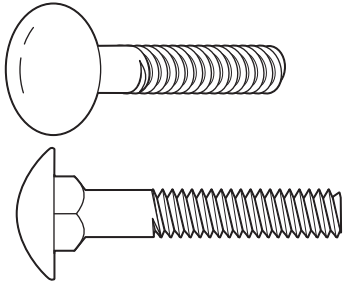


(28) Tornillo de cabeza hueca embutida #10-32 x 3/4"

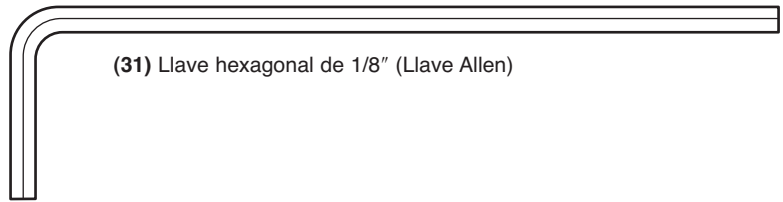


(29) Tornillo de máquina Phillips de cabeza segmental #10-32 x 3/4"

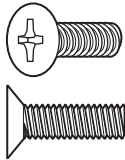
Lista de piezas



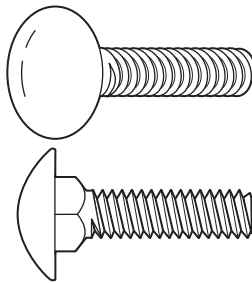
(30) Perno de carruaje 1/4-20 x 1 1/2"



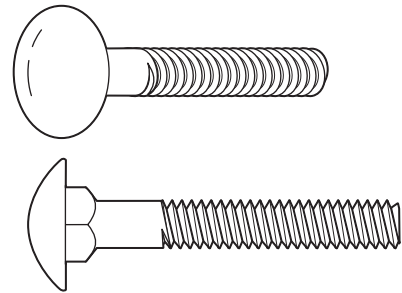
(31) Llave hexagonal de 1/8" (Llave Allen)



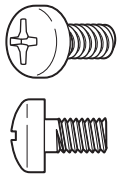
(32) Tornillo de máquina Phillips embutido #10-32 x 5/8"



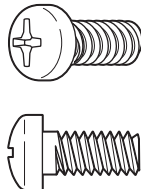
(33) Perno de carruaje 1/4-20 x 1"



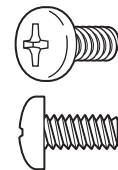
(34) Perno de carruaje 1/4-20 x 1 3/4"



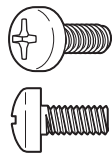
(35) Tornillo de máquina Phillips #10-32 x 1/2"



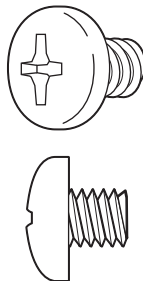
(36) Tornillo de máquina Phillips #10-16 x 1/2"



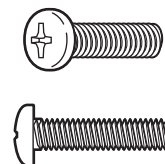
(37) Tornillo de máquina Phillips #10-24 x 1/2"



(38) Tornillo de máquina Phillips #8-32 x 1/2"



(39) Tornillo de máquina Phillips 5/16-18 x 1/2"



(40) Tornillo de máquina Phillips M4 x 20

Montaje de la mesa de fresado

MONTAJE DE LA MESA DE FRESADO

INSERTOS DE LAS PATAS DE LA MESA (FIG. 1)

La mesa de fresado incluye dos insertos para las patas de la mesa:

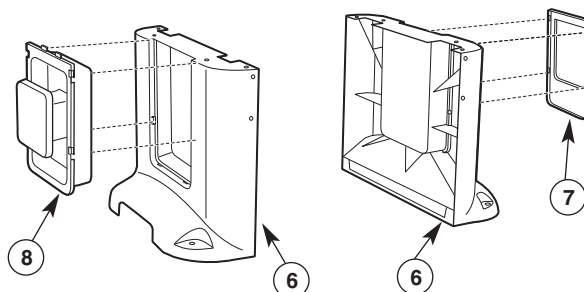
- Panel de almacenamiento para la mesa de las patas (7)
- Panel de envoltura del cable de las patas (8)

Se deben instalar los insertos de las patas de la mesa antes de unir la parte superior de la mesa.

1. Coloque el inserto de la pata de la mesa (7 o 8) en la abertura de la pata de la mesa (6) de manera que quede posicionado en la parte superior de la abertura.
2. Presione el inserto hasta que quede completamente nivelado con la pata.
3. Empuje el inserto hacia abajo lo más que pueda hasta que quede seguro en su lugar.

NOTA: El panel de envoltura del cable tiene dos lengüetas en la parte superior del panel que se ajustan debajo de la superficie de la mesa. Estas lengüetas ayudan a evitar que el panel se suelte mientras se envuelve o desenvuelve el cable.

Fig. 1



HERRAMIENTAS NECESARIAS (no incluidas)

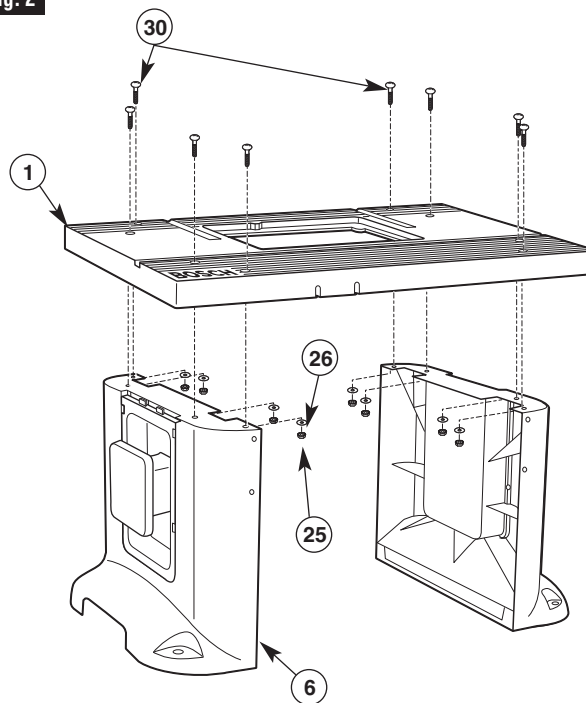
- Destornillador de estrella
- Llave pequeña ajustable
- Cinta con respaldo adhesivo (opcional)

PATAS DE LA MESA DE FRESADO (FIG. 2)

1. Inserte ocho pernos de carruaje 1/4-20 x 1 1/2" de largo (30) en la parte superior de la mesa de fresado (1) como lo muestra la Figura 2.
2. Ensamble las patas (6) a la mesa de fresado como lo muestra en la figura.
3. Ensamble una arandela de 9/32" de D.I. x 5/8" de D.E. x 1/16" (26) y una tuerca KEPS de 1/4-20 (25) en cada uno de los pernos.
4. Apriete fuertemente los sujetadores.

NOTA: Puede ser más fácil ensamblar las patas colocando la mesa de fresado sobre el frente o la parte posterior, o utilizando cinta adhesiva en las cabezas de los pernos de carruaje para sostenerlas en su lugar y voltear la mesa de fresado.

Fig. 2

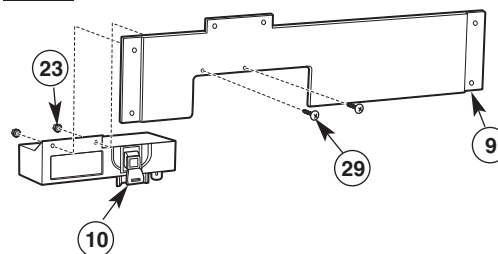


Montaje de la mesa de fresado

UNA EL INTERRUPTOR A LA FASCIA (FIG. 3)

1. Alinee los dos orificios más extremos en la parte superior de la ensambladura del interruptor (10) con los orificios en el panel delantero de la fascia (9), como se muestra en la Fig. 3.
2. Inserte dos tuercas KEPS #10-32 (23) en las muescas hexagonales en la parte posterior de la ensambladura del interruptor (10), con el lado dentado hacia afuera, y asegure el interruptor al panel de la fascia con dos tornillos de máquina de cabeza segmental #10-32 x 3/4" (29) mientras sostiene las tuercas KEPS en la muesca con el dedo.

Fig. 3

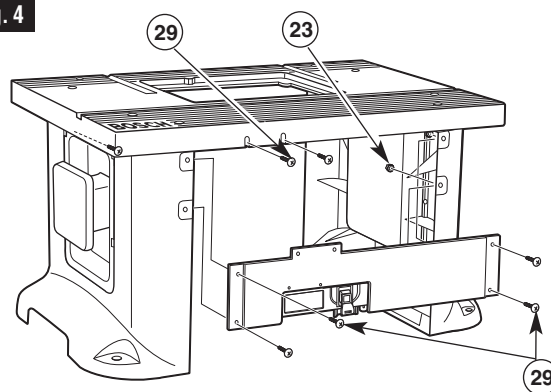


UNA EL MONTAJE DEL INTERRUPTOR / FAJA A LA MESA DE FRESADO (FIG. 4)

NOTA: La faja se arma al interior tanto de las patas de la mesa como de la parte superior de la mesa de fresado.

1. Alínee los orificios de la faja con los orificios de las patas de la mesa y con las dos ranuras del frente de la parte superior de la mesa de fresado.
2. Una la faja a la parte superior de la mesa de fresado utilizando dos tornillos de máquina de cabeza segmental #10-32 x 3/4" (29) de largo y dos tuercas KEPS #10-32 (23), con el lado dentado hacia afuera, como lo muestra la Fig. 4.
3. Una la faja a las patas utilizando cuatro tornillos de máquina de cabeza segmental #10-32 x 3/4" de largo (29) y cuatro tuercas KEPS #10-32 (23), con el lado dentado hacia afuera, como lo muestra la Fig. 4.
4. APRIETE todos los tornillos FIRMEMENTE.

Fig. 4



Montaje de la mesa de fresado

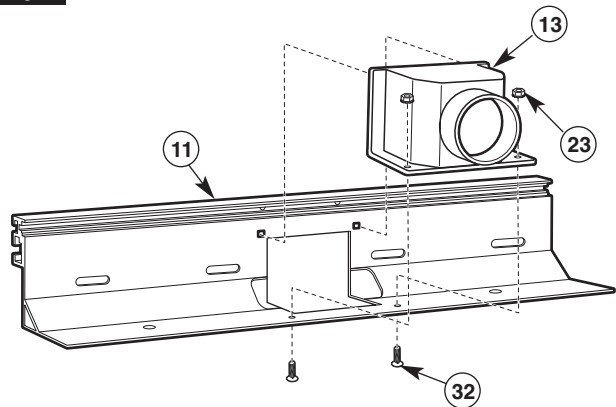
CÓMO ARMAR LA GUÍA

CÓMO ARMAR LA GUÍA (FIGS. 5 Y 6)

1. Inserte los pasadores moldeados en la parte superior del puerto de vacío (13) dentro de los orificios en la parte posterior de la guía de aluminio (11) como se muestra en la Fig. 5.
2. Desde la parte inferior de la guía, inserte dos tornillos de máquina embutidos #10-32 x 5/8" (32) hacia arriba a través de los orificios en la base de la guía y el puerto de vacío. Asegure en su lugar con dos tuercas KEPS #10-32 (23) (Fig. 5).
3. Coloque la guía (11) con el lado derecho hacia arriba en una superficie plana y alinee los orificios embutidos en los refrentados de la guía (12) con los orificios ranurados en la guía. El lado embutido de los refrentados debe estar hacia AFUERA (Fig. 6).
4. Una ambos refrentados de la guía (12) hacia el frente de la guía, con dos pernos de carruaje 1/4-20 x 1" (33) y dos perillas abrazaderas grandes (14) para cada refrentado de la guía (Fig. 6).
5. Desde el frente de la guía (15), inserte dos pernos de carruaje 1/4-20 x 1 1/2" (30) a través de los orificios en el dispositivo de seguridad. Deslice un espaciador (16) en cada perno de manera que las lengüetas en los espaciadores calcen en las ranuras del dispositivo de seguridad (Fig. 6).
6. Desde el frente de la guía, inserte los pernos de carruaje a través de los orificios en el centro superior de la guía. Las lengüetas en los espaciadores calzarán en el canal superior en la guía. Asegure en su lugar con una pequeña perilla abrazadera (17) en cada perno (Fig. 6).

NOTA: Para simplificar la instalación de la placa adaptadora de la fresadora y la fresadora, no instale la guía en la mesa de fresado en este momento.

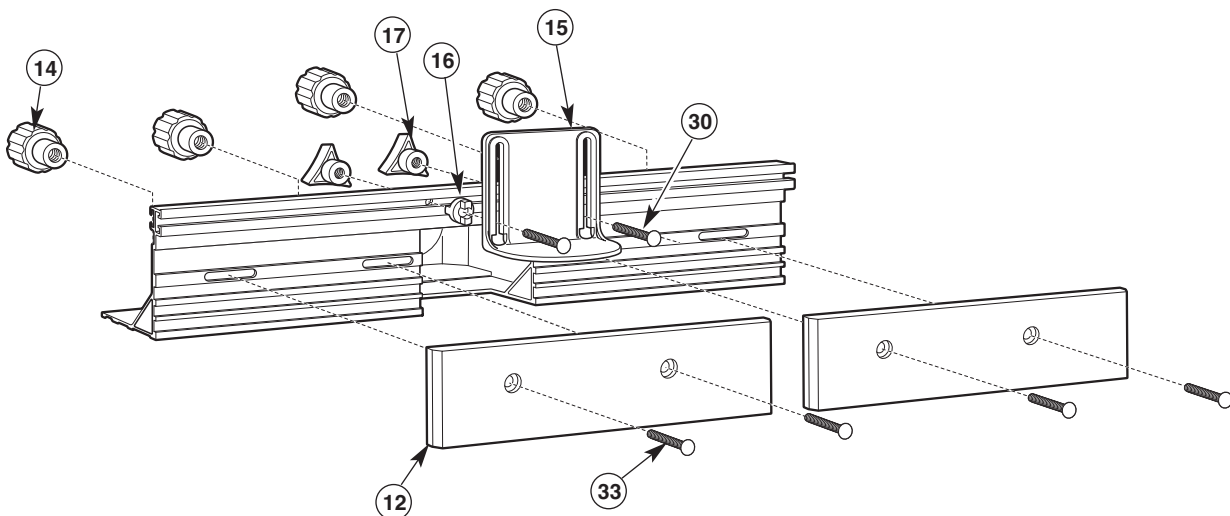
Fig. 5



NOTA: Se incluyen dos cuñas de unión (18) para permitir la compensación correcta de la guía al hacer uniones. Para mayores detalles sobre las operaciones de uniones y la colocación de cuñas, consulte la página 92.



Fig. 6



Montaje de la mesa de fresado

CÓMO INSTALAR LA PLACA DE MONTAJE DE LA FRESADORA

HERRAMIENTAS NECESARIAS

- Llave Allen 1/8" (31) (incluida)
- Destornillador de estrella (no incluida)
- Borde recto (no incluida)
- Llave ajustable pequeña (no incluida)

NOTA: Las guías **NO** se deben instalar en la mesa de fresado para los siguientes procedimientos.

INSTALACIÓN PRELIMINAR DE LA PLACA DE MONTAJE DE LA FRESADORA (FIGS. 7A-7C)

1. Enrosque completamente una tuerca de tope ESNA #10-32 (24) en cada uno de los ocho tornillos de cabeza hueca embutida #10-32 x 3/4" (28) como se muestra en la Fig. 7A. La orientación de la tuerca de tope sobre el tornillo debe ser como se muestra en la Fig. 7A.

NOTA: Sería de gran utilidad utilizar la llave Allen y una llave ajustable debido a que la tuerca tiene roscas de ajuste apretado.

2. Coloque los ocho tornillos y tuercas armados en los ocho bolsillos de forma hexagonal en la hendidura de la parte superior de la mesa como lo muestra la Fig. 7B.

Las roscas del tornillo se deben insertar en los orificios de la parte inferior de los bolsillos.

3. Coloque la placa de montaje de fresado en la abertura en la parte superior de la mesa de forma que descance sobre las cabezas de los tornillos como se muestra en la Fig. 7B.
4. Coloque un borde recto o nivel a lo largo de la placa de montaje como lo muestra la Fig. 7C. El borde recto debe ser lo suficientemente largo para extenderse por completo sobre la abertura de la parte superior de la mesa de fresado.
5. Inserte la llave Allen (31) a través de los ocho orificios redondos de la placa de montaje, engranando los orificios hexagonales en las cabezas del tornillo (Fig. 7C).
6. Levante y baje la placa de montaje girando los tornillos hasta que el plato adaptador esté a nivel y a la misma altura que la parte superior de la mesa de fresado.
7. Retire la placa de montaje de la parte superior de la mesa.

NOTA: Puede ser necesario hacer leves ajustes después de la instalación final de la placa de montaje de la fresadora.

Fig. 7A

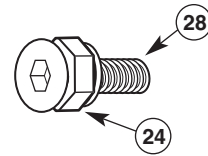


Fig. 7B

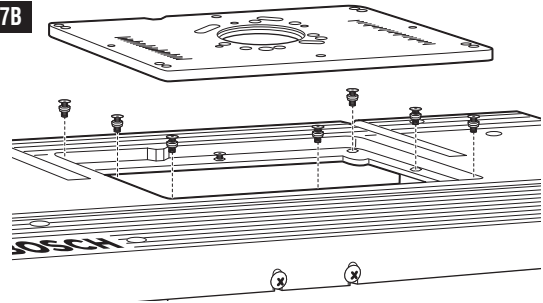
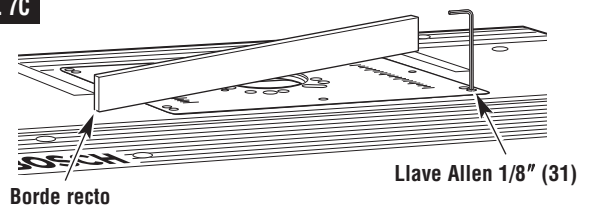


Fig. 7C



Montaje de la mesa de fresado

⚠ ADVERTENCIA Antes de usar la mesa de fresado, verifique que la fresadora esté sujeta de forma segura en la base de la mesa de fresado. Al trabajar, controle de forma periódica que los sujetadores de la base estén agarrados en forma segura. La vibración del motor de la fresadora puede aflojar los sujetadores durante el uso, haciendo que la fresadora caiga de la mesa.

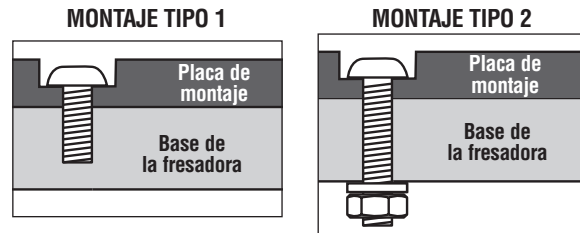
CÓMO ELEGIR EL PATRÓN DE ORIFICIOS DE LA FRESADORA

DETERMINE EL MÉTODO DE MONTAJE A USAR (vea la tabla en la página 79)

Si su modelo de fresadora aparece en la página 79, siga el paso 1 a continuación. Si NO aparece, usted debe comprar una placa adaptadora para fresadora BOSCH RA1186, la cual está disponible por separado.

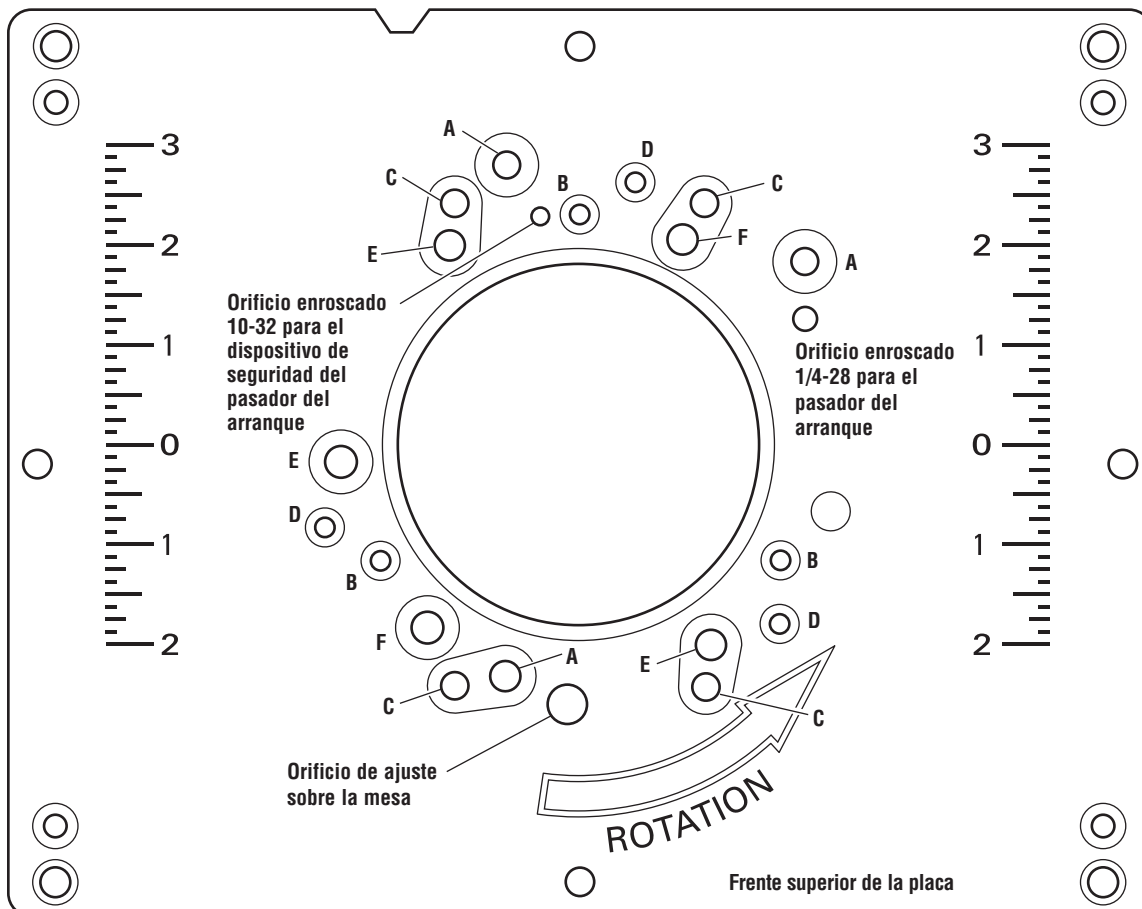
Si su modelo de fresadora aparece en la lista:

1. Determine el patrón de orificios que coincida con el patrón de orificios de montaje para su fresadora.
2. Determine qué tornillos necesita para instalar la fresadora en la placa adaptadora de la fresadora.
3. Determine qué tipo de montaje (1 ó 2) se usa para su modelo de fresadora.



GUÍA DE LA PLACA DE MONTAJE PARA FRESADORAS COMPATIBLES (Fig. 8)

Fig. 8



Montaje de la mesa de fresado

Tabla 1

Marca de fresadora	Modelo de fresadora	Patrón de orificios	Tornillos necesarios	Tipo de montaje
Bosch	Serie 1613	A	Tornillos de máquina Phillips #10-16 x 1/2" (36), arandelas (26), y tuercas 1/4-20 (25)	2
Bosch	Serie 1617 (bases fijas únicamente)	B	Tornillos de máquina Phillips #10-24 x 1/2" (37)	1
Bosch	1619EVS	C	Tornillos de máquina Phillips #10-16 x 1/2" (36), arandelas (26), y tuercas 1/4-20 (25)	2
Bosch	Serie MR	B	Toenillos de máquina Phillips M4 x 20 (40)	1
Craftsman	Más fresadoras Craftsman con portabroca de 1/2"	E	Tornillos de máquina Phillips 5/16-18 x 1/2" (39)	1
DeWalt	DW616, DW618 (base fija únicamente)	B	Tornillos de máquina Phillips #8-32 x 1/2" (38)	1
Hitachi	M12VC	B	Tornillos de máquina Phillips #10-32 x 1/2" (35)	1
Makita	RF1100, RF1101	B	Tornillos de máquina Phillips #10-24 x 1/2" (37)	1
Milwaukee	5615, 5616	B	Tornillos de máquina Phillips #10-24 x 1/2" (37)	1
Porter Cable	Serie 690, 7529 fresadora de superficie, Serie 892-895 (bases fijas únicamente)	B	Tornillos de máquina Phillips #10-24 x 1/2" (37)	1
Ryobi	R161, R162, R163	E	Tornillos de máquina Phillips 5/16-18 x 1/2" (39)	1
Ryobi	RE170, RE180 PL	F	Tornillos de máquina Phillips 5/16-18 x 1/2" (39)*	1
Skil	1810, 1815, 1820, 1825	D	Tornillos de máquina Phillips E10-32 x 1/2" (35)	1

*RE170 requiere que la sub-base se encuentre unida para una longitud de fijación específica.

UNA LA FRESADORA A LA PLACA DE MONTAJE (FIGS. 9 Y 10)

⚠ ADVERTENCIA Desconecte la fresadora del tomacorriente antes de instalar la fresadora en la mesa, realizar ajustes, cambios de accesorios, retirar la fresadora de la mesa, realizar el mantenimiento o guardar la herramienta. Dichas medidas de precaución reducen el riesgo de funcionamiento no intencional de las herramientas.

1. Retire la sub-base plástica de la fresadora (a menos que se lo especifique de otra manera en la Tabla 1) (Fig. 9).
 - Si desea montar la fresadora con la sub-base, necesitará comprar fijaciones más largas. Cuando se utiliza la sub-base, se ve afectado el rango de la profundidad de corte.
2. Si la fresadora tiene su propia campana de extracción de polvo que se instala en la parte superior de la base de metal de la fresadora y desea usarla debajo de la mesa de fresado, este es el momento ideal para instalarla.
3. Siguiendo la tabla 1, determine las piezas y el tipo de montaje para la fresadora.
 - Para la mayoría de modelos de fresadoras, los tornillos se meten en orificios enroscados en la base de la fresadora (montaje tipo 1).
 - Para algunos modelos de fresadoras, los tornillos entran completamente hasta la base y se sujetan con arandelas y tuercas (montaje tipo 2).
 - Las fresadoras de la competencia se encuentran fuera del control de BOSCH. Los cambios efectuados a estas fresadoras pueden afectar la compatibilidad con las fijaciones especificadas y/o provistas con la presente mesa.
 - Verifique siempre que el tornillo se encuentre bien colocado sobre la placa adaptadora y que la base de la fresadora esté bien firme contra la placa adaptadora para garantizar un montaje seguro. Si la fresadora, placa o fijaciones no encajan bien, tendrá que adquirir fijaciones nuevas de una longitud o tamaño diferentes.

⚠ ADVERTENCIA Antes de usar la mesa de fresado, verifique que la fresadora esté sujeta de forma segura en la base de la mesa de fresado. Al trabajar, controle de forma periódica que los sujetadores de la base estén agarrados en forma segura. La vibración del motor de la fresadora puede aflojar los sujetadores durante el uso, haciendo que la fresadora caiga de la mesa.

4. Consulte la guía de la placa de montaje (Fig. 8) en la página 76 y alinee los orificios de la placa de montaje apropiados para la fresadora con los orificios de la base de la fresadora. Verifique que los controles de ajuste de profundidad en la fresadora estén orientados hacia el frente de la placa de montaje. La Figura 8 muestra la orientación correcta de la placa cuando está instalada en la mesa.
5. Instale firmemente la fresadora en la placa de montaje (Fig. 10).

Fig. 9

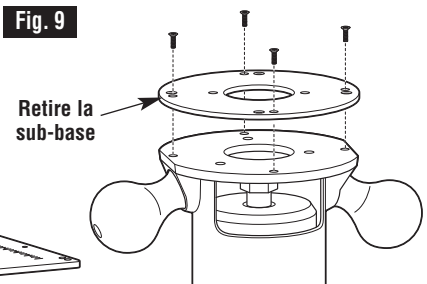
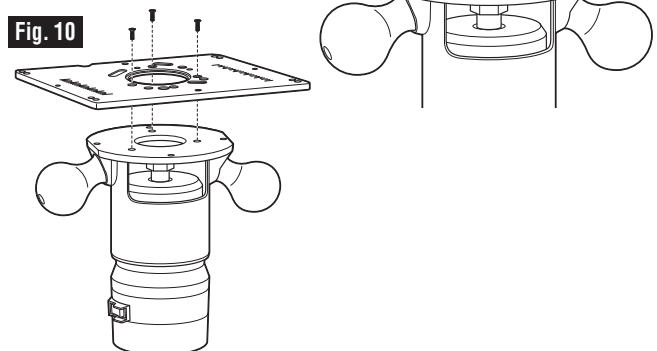


Fig. 10

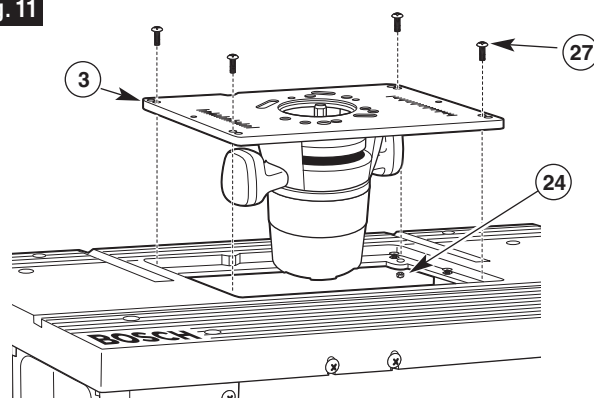


Montaje de la mesa de fresado

INSTALACIÓN FINAL DE LA PLACA DE MONTAJE DE LA FRESADORA (FIG. 11)

1. Coloque la placa de montaje de la fresadora, con la fresadora unida, sobre los tornillos niveladores en la superficie de la mesa. **NOTA:** Tenga cuidado de no atrapar el cable entre la placa de montaje de la fresadora y la superficie de la mesa de fresado.
2. Revise nuevamente la placa de montaje de la fresadora para verificar que esté nivelada. Si es necesario, afloje las tuercas de bloqueo y ajuste los tornillos niveladores con la llave Allen según sea necesario.
3. Atornille la placa de montaje de la fresadora (7) a la mesa con cuatro tornillos Phillips de cabeza plana n° 10-32 x 1" (E), a través de los orificios interiores de las esquinas de la placa y cuatro tuercas de tope ESNA n° 10-32 (B) desde la parte inferior de la mesa en los espacios provistos (Fig. 13). Ajuste bien los tornillos, pero no en exceso.

Fig. 11



PARA RETIRAR LA FRESADORA Y / O LA PLACA DE MONTAJE DE LA FRESADORA

⚠ ADVERTENCIA Siempre asegúrese de que la fresadora o el interruptor **NO ESTÉN CONECTADOS** a la corriente eléctrica cuando se esté retirando la fresadora de la mesa de fresado. La fresadora podría arrancar accidentalmente.

LA GUÍA DEBE RETIRARSE DE LA MESA DE FRESADO AL RETIRAR O VOLVER A INSTALAR LA PLACA DE MONTAJE DE LA FRESADORA.

Para retirar la fresadora sin retirar la placa de montaje, vea paso 3.

1. Retire los cuatro tornillos Phillips de cabeza plana n° 10-32 x 1" (E) y las cuatro tuercas de tope n° 10-32 ESNA (B) sosteniendo la placa de montaje de la fresadora sobre la mesa (Fig. 13).
2. Levante la placa de montaje de la fresadora y la fresadora hacia arriba de la superficie de la mesa.
3. Retire los tornillos de máquina que aseguran la fresadora a la placa de montaje.
4. Verifique que la placa esté nivelada con la mesa. Si es necesario, vuelva a ajustar según se describe en la sección arriba.

AJUSTE DE ALTURA DE SOBREMESA

La placa adaptadora de la fresadora tiene un orificio de acceso para permitir el uso con la función de ajuste de altura de sobremesa en las fresadoras de la serie BOSCH 1617. Consulte el manual de la fresadora para información adicional para usar esta función.

Con fresadoras de otras marcas con características de ajuste en altura sobre la mesa, es posible que deba perforar un orificio de acceso sobre la placa de montaje de la fresadora de la siguiente manera:

1. Retire la sub-base de la fresadora y alinee los orificios de montaje en la sub-base con los orificios de montaje correspondientes en la placa adaptadora. Cerciórese de orientar la sub-base de manera que el interruptor de la fresadora quede hacia el frente de la mesa.
2. Con un lápiz o perforadora, marque la ubicación del orificio de ajuste de altura de sobremesa en la placa adaptadora.
3. Retire la sub-base de la placa adaptadora y con cuidado perfora el orificio de ajuste de altura de la sobremesa.
4. Verifique que el orificio acomode la herramienta de ajuste de altura para la fresadora. Retire cualquier rebaba o bordes ásperos con papel lija.

Montaje de la mesa de fresado

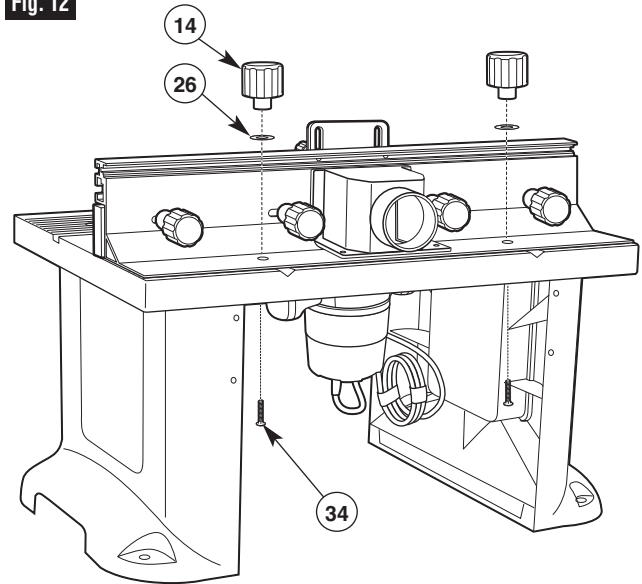
INSTALACIÓN DE LA GUÍA

CÓMO SUJETAR LA GUÍA A LA MESA (FIG. 12)

1. Desde la parte inferior, coloque dos pernos de carruaje de 1/4-20 x 1³/₄" (34) a través de los orificios de la superficie de la mesa y los orificios de la parte inferior de la guía. Deslice una arandela (26) en cada perno y sujete ligeramente una perilla de fijación grande (14) en cada perno.
2. Verifique que la guía se deslice libremente de adelante hacia atrás.

NOTA: Utilice la regla de la superficie de la mesa como referencia al alinear la guía para realizar operaciones de fresado. Una vez que la guía se encuentra ubicada y alineada correctamente, ajuste las perillas de sujeción **FIRMEMENTE**.

Fig. 12



Montaje de la mesa de fresado

CÓMO MONTAR LA MESA FRESADORA A UNA SUPERFICIE O BANCO DE TRABAJO

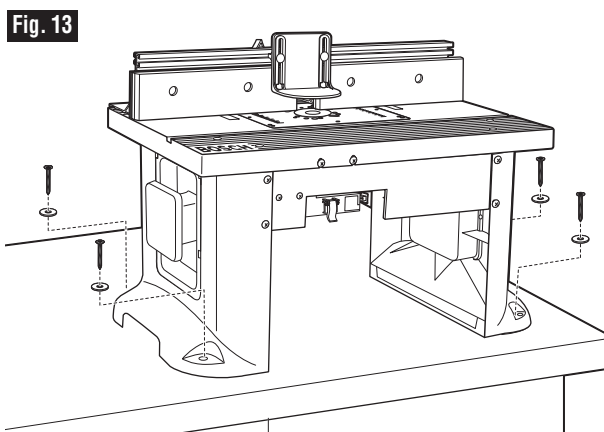
⚠ ADVERTENCIA Antes de operar, cerciúrese de que toda la unidad (mesa con fresadora instalada) se coloque y se asegure en una superficie sólida, plana, a nivel y que no se incline. Para piezas de trabajo largas o anchas, utilice soportes auxiliares de alimentación hacia dentro y hacia fuera. Las piezas de trabajo largas sin un soporte adecuado pueden voltear la mesa o causar que ésta se incline.

HERRAMIENTAS NECESARIAS (no incluidas)

- Destornillador de estrella
- Llave pequeña ajustable
- Taladro eléctrico o manual con brocas (dependiendo del método de montaje usado)
- Sujetadores (no incluidos):
 - Cuatro tornillos de madera troncocónica de madera #14, #16, ó #18 x 2" (para superficies o bancas sólidas de trabajo en madera), o
 - Cuatro tornillos de máquina de cabeza troncocónica 5/16", arandelas y tuercas hexagonales, o
 - Presillas

MÉTODO 1 (FIG. 13)

1. Fije la mesa de fresado en una banca de trabajo o en otra superficie estable y fuerte, con el FRENTE (lado del interruptor) de la mesa de fresado hacia usted.
2. Mientras sostiene la mesa de fresado en la posición deseada, marque la ubicación de los cuatro orificios de montaje (uno en cada esquina).
3. Retire la mesa de fresado de la banca de trabajo y póngala a un lado.
4. Perfore un orificio piloto de 1/8" (para tornillos de madera) o un orificio de tamaño apropiado (para tornillos de máquinas) en los puntos marcados.
5. Coloque la mesa de fresado en la banca de trabajo y alinee los orificios de montaje en las patas de la mesa con los orificios perforados en la banca de trabajo.
6. Asegure la mesa de fresado en su lugar usando tornillos de madera y arandelas (no incluidos) o tornillos de máquina, arandelas y tuercas (no incluidas). Si usa tornillos de madera, aplicar un poco de jabón a las ranuras hará que sea más fácil atornillarlos en los orificios piloto.
7. APRIETE todos los tornillos FIRMEMENTE.



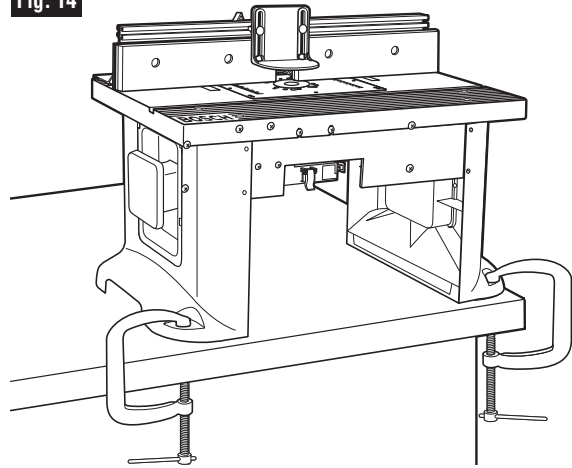
Montaje de la mesa de fresado

MÉTODO 2 (FIG. 14)

1. Fije la mesa de fresado en una banca de trabajo u otra superficie estable y fuerte, con el FRENTE (lado del interruptor) de la mesa de fresado hacia usted.
1. Asegure las patas de la mesa de fresado a la banca de trabajo con presillas, asegurándose de apretarlas FIRMEMENTE.

IMPORTANTE: Asegúrese que colocar las presillas no interfiera con la operación de la mesa de fresado.

Fig. 14



MÉTODO ALTERNO (FIGS. 15 Y 16)

1. Corte una tabla de 18¼" de ancho por 29" de largo de un pedazo de madera u otro material plano de ¾" de espesor.
2. Fije la mesa de fresado en la tabla, con el FRENTE (lado del interruptor) de la mesa de fresado hacia usted, de manera que el espacio entre las patas de la mesa de fresado y los bordes de la tabla sean iguales en todos los lados.
3. Mientras sostiene la mesa de fresado en la posición deseada, marque la ubicación de los cuatro orificios de montaje (uno en cada esquina).
4. Retire la mesa de fresado de la tabla y póngala a un lado.
5. Perfore un orificio piloto de 1/8" (para tornillos de madera) en los puntos señalados.
6. Coloque la mesa de fresado en la tabla y alinee los orificios de montaje en las patas de la mesa con los orificios perforados en la tabla.
7. Fije la mesa de fresado en su lugar usando tornillos de manera y arandelas (no incluidos). Aplicar un poco de jabón a las ranuras del tornillo hará que sea más fácil atornillarlos en los orificios piloto.
8. APRIETE todos los tornillos FIRMEMENTE.
9. Coloque la mesa de fresado en una banca de trabajo u otra superficie estable y fuerte. Asegure firmemente la tabla a la banca de trabajo con tornillos (Fig. 15), presillas (Fig. 16) u otros medios adecuados.

Fig. 15

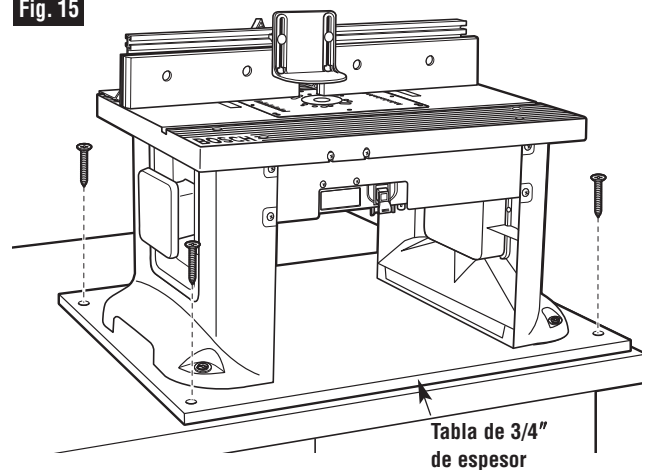
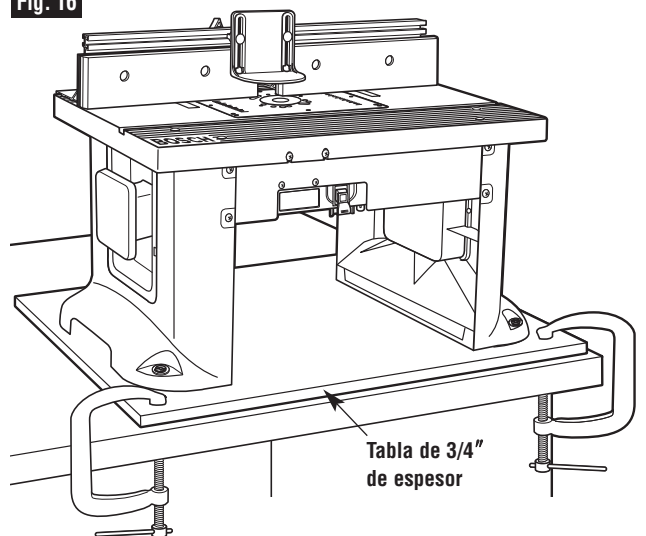


Fig. 16



Montaje de la mesa de fresado

⚠ ADVERTENCIA Desconecte la fresadora del tomacorriente antes de instalar la fresadora en la mesa, realizar ajustes, cambios de accesorios, retirar la fresadora de la mesa, realizar el mantenimiento o guardar la herramienta. Dichas medidas de precaución reducen el riesgo de funcionamiento no intencional de las herramientas.

ANILLOS DE INSERCIÓN DE LA SUPERFICIE DE LA MESA (FIG. 17)

Esta mesa de fresado viene con tres anillos de inserción, en los tamaños de agujeros siguientes:

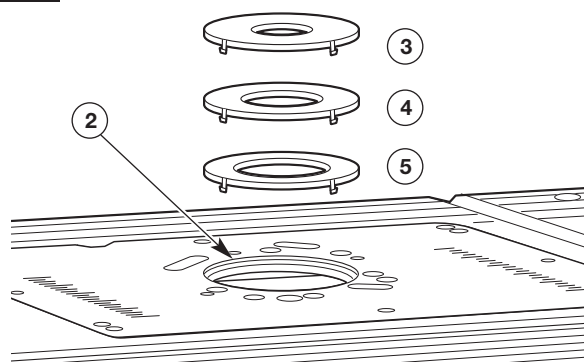
- (3) Diámetro de 1" para uso con brocas de la fresadora con diámetros de hasta 7/8".
- (4) Diámetro de 2" para uso con brocas de la fresadora con diámetros de hasta 1 1/8".
- (5) Diámetro de 2 3/4" para uso con brocas de la fresadora con diámetros de hasta 2 5/8".

Para brocas de la fresadora con diámetros más 2 5/8" hasta 3 1/2", no utilizar un anillo de inserción.

⚠ ADVERTENCIA No utilice la mesa fresadora con brocas de más de 3 1/2" de diámetro. Las brocas de más de 3 1/2" exceden el orificio de los anillos de inserción de la superficie de la mesa. Las brocas de más de 3 1/2" pueden hacer contacto con la placa de inserción o anillo de inserción, lo que arrojará fragmentos.

⚠ ADVERTENCIA No modifique el anillo de inserción de la superficie de la mesa o el orificio de la broca de placa. Ajuste el diámetro de corte de la broca con el diámetro interno del anillo de inserción o el orificio de la broca de placa de modo que la diferencia no sea menor a 1/16" sobre un lado. El objetivo de los anillos de inserción es reducir la brecha entre el diámetro de corte de la broca y la mesa para que las piezas de trabajo mantengan un soporte completo de la mesa mientras se realiza el fresado.

Fig. 17



INSTALACIÓN DE LOS ANILLOS DE INSERCIÓN DE LA SUPERFICIE DE LA MESA (FIG. 17):

1. Seleccionar el anillo de inserción (3-5) que acomoda la broca de la fresadora que se va a utilizar.
2. Montar el anillo de inserción (3-5) en el orificio grande en la placa de montaje de la fresadora (2). Si la guía está en el camino, aflojar las perillas de fijación en la guía y deslice la guía de vuelta del camino.
3. Ejercer presión por igual sobre las lengüetas en el anillo de inserción (3-5), a fin de que las lengüetas encajen en posición.
4. Para quitar, hale hacia arriba suavemente hasta que las lengüetas se liberen. Cuando no estén en uso, guarde los anillos de inserción de la superficie de la mesa (3-5) detrás del panel de almacenamiento (7) en la pata de la mesa o en otro lugar que convenga.

⚠ ADVERTENCIA No use, trate de cambiar o quite los anillos de inserción de la superficie de la mesa a menos que la fresadora se encuentre apagada y desenchufada. Dichas medidas de seguridad reducen el riesgo de un accionamiento accidental de la herramienta.

Operación de la mesa de fresado

INSTRUCCIONES PARA EL INTERRUPTOR

⚠ ADVERTENCIA No enchufe el cable de corriente del motor de la fresadora en un toma-corriente estándar. Siempre enchufe el cable de la fresadora en el interruptor de la mesa de la fresadora. Los interruptores de corriente de la herramienta y los controles deberán estar a su alcance en casos de emergencia.

INFORMACIÓN GENERAL

El interruptor de energía se encuentra diseñado para ser utilizado con la mayoría de las mesas de fresado BOSCH. Ofrece la comodidad de un interruptor de ENCENDIDO (RECONFIGURACIÓN)/APAGADO en la parte frontal de la mesa, lo que elimina la necesidad de tener que colocar las manos debajo de la mesa para encender o apagar la fresadora.

El interruptor de energía también ofrece un control opcional y simultáneo de ENCENDIDO/APAGADO para un accesorio adicional, como una luz, una aspiradora seca/húmeda, etc. El interruptor cuenta con un interruptor de circuitos interno reconfigurable para ofrecer protección contra sobrecargas.

REQUISITOS ELÉCTRICOS

La caja del interruptor sólo debe enchufarse en un cable de extensión de tres hilos de calibre 14 (o mayor) con un receptáculo de conexión a tierra de tres orificios y un enchufe con conexión a tierra de tres espigas. El cable de extensión debe enchufarse en un tomacorriente similar instalado por un electricista con licencia y con conexión a tierra de acuerdo con todos los códigos y ordenanzas locales.

NO SE DEBEN USAR Y SE DEBEN REEMPLAZAR DE INMEDIATO LOS CABLES DE EXTENSIÓN GASTADOS.

Los receptáculos eléctricos en la parte posterior de la caja del interruptor aceptará ya sea un cable de extensión de tres orificios.

Los receptáculos eléctricos en la parte posterior de la caja del interruptor aceptarán ya sea enchufes de dos o tres terminales de una fresadora o accesorio.

En el caso de una falla, la conexión a tierra ofrece la ruta de menor resistencia para la corriente eléctrica con el fin de reducir el riesgo de choque eléctrico. Esta caja interruptora viene equipada con un cable eléctrico que tiene un conector y un enchufe para conexión a tierra.

NO modifique el enchufe del interruptor si no se conecta en el cable de extensión. Obtenga un cable de extensión con la toma eléctrica correcta.

La conexión incorrecta del conductor de conexión a tierra del equipo puede resultar en riesgo de choque eléctrico. El conductor con aislamiento que tiene una superficie exterior verde con o sin las rayas amarillas, es el conductor de conexión a tierra del equipo.

NO CONECTE EL CONDUCTOR DE CONEXIÓN A TIERRA DEL EQUIPO A UNA TERMINAL ACTIVA.

Consulte con un electricista con licencia si las instrucciones para conexión a tierra no se entienden claramente o si hay duda respecto a la conexión a tierra correcta de la toma o extensión eléctrica.

⚠ ADVERTENCIA No permita que sus dedos tengan contacto con las terminales del enchufe al instalar o quitar el enchufe del toma-corriente. Riesgo de Descarga Eléctrica.

⚠ ADVERTENCIA Use la caja del interruptor sólo cuando esté ensamblada adecuadamente en la mesa de la fresadora. Use la misma sólo con una fresadora que haya sido instalada de forma adecuada en la mesa de fresado ensamblada correctamente. Tales medidas de precaución reducen el riesgo de lesiones debido a la pérdida de control.

⚠ ADVERTENCIA En total, no se deberán superar los 15 amperes al conectar la fresadora y cualquier otro accesorio tal como una luz o aspiradora. El interruptor posee una capacidad de 15 amperes.

CÓMO CONECTAR EL CABLE ELÉCTRICO DE LA FRESADORA AL INTERRUPTOR

⚠ ADVERTENCIA Antes de conectar la caja del interruptor de la mesa de la fresadora, asegúrese de que el interruptor de la fresadora esté APAGADO y que la caja del interruptor de la mesa de la fresadora esté desenchufada. Dichas medidas de precaución reducen el riesgo de un funcionamiento no intencional de la herramienta.

1. Conecte el cable eléctrico de la fresadora en una de las tomas eléctricas en la parte posterior de la caja del interruptor (10).
2. Enrolle el cable sobrante.
3. Envuelva dos pedazos de cinta de fricción o cable fuerte alrededor del cable enrollado en ambos extremos del rollo.
4. Deje cierta holgura de manera que el cable no se estire cuando se conecte en las tomas eléctricas de la caja del interruptor.
5. Si así lo desea, en este momento puede enchufar el cable eléctrico de un accesorio, como una aspiradora de secado/mojado o una luz eléctrica, en la otra toma.

⚠ ADVERTENCIA Antes de comenzar a trabajar, asegúrese de que los cables de corriente de la fresadora, accesorios, la caja del interruptor y el prolongador no puedan de ningún modo tener contacto con la fresadora o cualquier parte móvil de la misma. Tales medidas de precaución reducen el riesgo de lesión debido a la pérdida de control.

Operación de la mesa de fresado

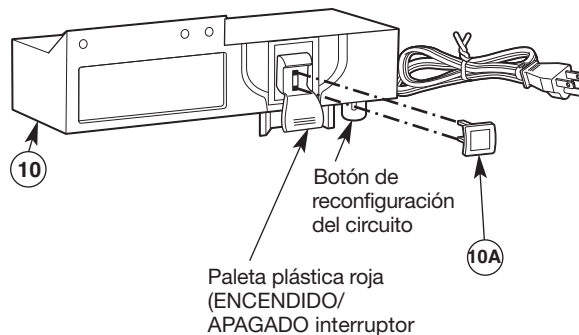
FUNCIONAMIENTO DEL INTERRUPTOR (FIG. 18)

Esta sección explica el funcionamiento y las aracterísticas del montaje de la caja del interruptor antes de enchufar el cable de energía en un tomacorriente. El objetivo es familiarizar al usuario con el funcionamiento del interruptor sin tener que encender (ON) la fresadora.

La caja del interruptor (10) (Fig. 18) incluye una llave de bloqueo (10A) para prevenir el uso sin autorización de terceros.

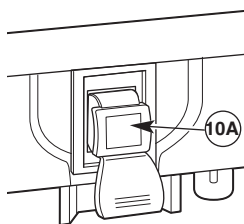
- La llave de bloqueo (10A) es la parte amarilla ubicada en la parte superior de la paleta plástica roja. La llave de bloqueo amarilla **debe introducirse por completo** dentro de la parte superior de la paleta plástica roja y de la caja del interruptor (10) antes de que la paleta pueda encenderse (ON).
- El botón de reconfiguración del circuito de la caja del interruptor (10) se encuentra en el lado inferior derecho de la caja.

Fig. 18

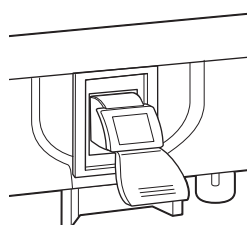
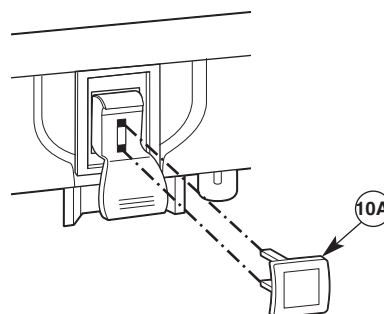


⚠ ADVERTENCIA Asegúrese de que el prolongado no esté conectado a un tomacorriente eléctrico antes de continuar.

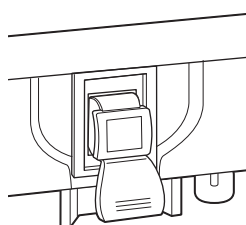
1. Verifique que la llave de bloqueo amarilla (10A) se encuentre introducida por completo en la parte superior de la paleta plástica roja.
4. Para evitar un uso no autorizado, el interruptor puede desactivarse quitando la llave de bloqueo amarilla (10A) por completo de la parte superior de la paleta plástica roja.



2. Para encender (ON) la fresadora, levante la paleta plástica roja a la posición ENCENDIDO (ON).
3. Para apagar (OFF) la fresadora, presione la paleta plástica roja hasta la posición APAGADO (OFF).



ENCENDIDO (ARRIBA)



APAGADO (ABAJO)

Operación de la mesa de fresado

⚠ ADVERTENCIA Antes de continuar, asegúrese de que el interruptor de la fresadora esté en la posición de APAGADO y que la ficha del interruptor esté en la posición de APAGADO.

⚠ ADVERTENCIA Nunca deje de prestar atención a la fresadora mientras esté funcionando o antes de detenerse completamente.

⚠ ADVERTENCIA Antes de comenzar a trabajar, asegure que los cables de corriente de la fresadora, accesorios, la caja del interruptor y el prolongador no puedan de ningún modo tener contacto con la fresadora o cualquier parte móvil de la misma. Tales medidas de precaución reducen el riesgo de lesiones debido a la pérdida de control.

El cable de energía del interruptor ahora puede enchufarse en un cable de extensión.

OPERACIÓN DE LA FRESADORA Y DEL INTERRUPTOR

Esta sección explica la operación del interruptor con el cable de energía enchufado a un cable de extensión.

La fresadora se encenderá (ON) cuando se levante la paleta roja de la caja del interruptor a la posición ON (encendido).

1. Coloque el interruptor ON/OFF (encendido/apagado) en la posición ON (encendido). En algunas fresadoras esto requerirá el uso del interruptor de gatillo y del botón "LOCK-ON" (bloqueo en encendido). (Consulte el manual del propietario de la fresadora.) **Verifique que el interruptor de la caja del interruptor se encuentre en la posición OFF (apagado) antes de hacerlo.**
2. Para encender la fresadora, levante la paleta plástica roja a la posición ON (encendido). Ver página 86.
3. Para apagar la fresadora, presione la paleta plástica roja hasta la posición OFF (apagado). Ver página 86.

BOTÓN DE RECONFIGURACIÓN DE CIRCUITO

NOTA: En el caso de una sobrecarga, el interruptor de circuito accionará la caja del interruptor a la posición OFF (apagado). Esto interrumpirá la energía hacia la fresadora y hacia cualquier accesorio enchufado dentro del interruptor.

Si esto ocurre, haga lo siguiente:

1. Presione la paleta plástica roja en la posición OFF (apagado) y desenchufe el cable del interruptor del tomacorriente o cable de extensión.
2. Presione el interruptor de la fresadora en la posición OFF (apagado).
3. Quite la pieza de trabajo de la mesa de fresado.
4. Corrija la causa de la sobrecarga. Por ejemplo, si hay demasiados accesorios enchufados en el interruptor o el amperaje combinado supera la clasificación del interruptor, quite el accesorio. Otras causas incluyen la remoción de demasiado material o el uso de una velocidad de alimentación demasiado elevada.
5. Presione el botón del interruptor de circuitos ubicado en la parte inferior de la caja del interruptor.
6. Enchufe el cable de energía del interruptor dentro del tomacorriente o cable de extensión.
7. Vuelva a accionar la fresadora como se indica en la sección **OPERACIÓN DE LA FRESADORA Y DEL INTERRUPTOR** de esta página.

⚠ ADVERTENCIA Si la caja del interruptor no funciona e intento **REINICIAR** el circuito presionando el botón de reinicio como se describe a continuación:

- **Desenchufe TODAS las conexiones eléctricas.**
- **Retire el interruptor de la mesa de la fresadora y reemplace el interruptor, llamando a servicio al cliente de BOSCH al 1-877-BOSCH99.**

CUANDO LA MESA DE FRESADO NO ESTÁ EN USO

1. Verifique que el interruptor se encuentre en la posición OFF (apagado).
2. Quite la llave de bloqueo (10A). Ver página 86.
3. **Guarde la llave de bloqueo en un lugar seguro donde no puedan alcanzarla niños u otras personas sin autorización de uso.**
4. Desenchufe el cable de energía del interruptor del tomacorriente o cable de extensión.
5. Quite la broca de la fresadora.
6. Coloque el montaje del anillo de la fresadora debajo de la parte superior de la mesa de fresado.

NOTA: Si la llave se perdiera o se dañara, puede adquirir llaves de reposición llamando al servicio de atención al cliente de BOSCH al 877-BOSCH99.

Operación de la mesa de fresado

CÓMO INSTALAR UNA ASPIRADORA SECA/HÚMEDA

INSTALACIÓN DE UNA ASPIRADORA SECA/HÚMEDA AL RECEPTÁCULO DE POLVO

⚠ ADVERTENCIA Antes de conectar la aspiradora a la caja del interruptor de la mesa de la fresadora, asegúrese de que el interruptor de la aspiradora esté **APAGADO** y que la caja del interruptor de la mesa de la fresadora esté **desenchufada**. Tales medidas de precaución reducen el riesgo de un funcionamiento no intencional de la herramienta.

⚠ ADVERTENCIA En total, no se deberán superar los **15 amperes al conectar la fresadora y cualquier otro accesorio tal como una luz o aspiradora**. El interruptor posee una capacidad de 15 amperes.

El conjunto de recolección de polvo/tapa tiene un puerto para conectar una manguera de aspiración húmeda/seca con una boquilla de 2½". Para unirla, simplemente presione la boquilla al puerto mientras sostiene el conjunto de la guía en su lugar.

⚠ PRECAUCIÓN Operar la mesa de fresado sin una aspiradora húmeda/seca puede resultar en una acumulación excesiva de aserrín y astillas de madera debajo del conjunto de la guía y tapa superior, reduciendo el rendimiento de la mesa de fresado y el conjunto de la guía.

RECOMENDACIÓN: Para maximizar el rendimiento, sin importar si se usa una aspiradora húmeda/seca, retire el aserrín y las astillas de la parte de abajo del conjunto de la guía y tapa superior según sea necesario.

RECOMENDACIÓN: Es una buena práctica mantener el área de trabajo limpia. Según sea necesario, retire el aserrín y las astillas acumulados de la superficie de la mesa de fresado, así como del área circundante de trabajo y del piso.

⚠ ADVERTENCIA Nunca coloque los dedos cerca de una broca que esté girando ni debajo de los protectores de seguridad cuando la fresadora se encuentre enchufada. Tales medidas de precaución reducen el riesgo de lesiones personales.

CÓMO INSTALAR LA BROCA DE LA FRESADORA (CORTADOR)

⚠ ADVERTENCIA Siempre cerciórese de que la fresadora esté **APAGADA** y el cable eléctrico esté **DESCONECTADO** antes de hacer cualquier ajuste.

Instale la broca de fresado según las instrucciones que se incluyen con la fresadora. Dada la gran variación de las brocas de la fresadora, es posible que ciertas brocas no operen siempre de la forma deseada con esta mesa de fresado.

Para asegurar que la mayoría de las brocas comunes tengan un desempeño satisfactorio, instale la broca de manera que el portabrocas de la fresadora encaje 3/4" de la espiga de la broca de fresado. Si la espiga de la broca de fresado se sale del portabrocas, retroceda la broca de la fresadora aproximadamente 1/16" para permitir apretarla correctamente.

NUNCA INSTALE BROCAS DE FRESADO CON MENOS DE 3/4" DE ENCAJE DE LA ESPIGA EN EL PORTABROCAS.

Operación de la mesa de fresado

CÓMO ARMAR LAS TABLAS DE BISELADO (FIGS. 19–21)

NOTA: El costado superior/ delantero de cada tabla de biselado está marcada para indicar la dirección correcta de alimentación.

Tabla de biselado de la guía (Figs. 19 y 20)

1. Inserte dos pernos de carruaje 1/4-20 x 1½" (30) a través de los orificios ranurados en la tabla de biselado (19). Ver Fig. 19.
2. Deslice una arandela grande (26) en cada perno de carruaje y enrosque una perilla de fijación pequeña (17) tres o cuatro giros en cada perno de carruaje.
3. Para instalar en la guía, deslice un espaciador (16) sobre la cabeza de cada perno de carruaje, alinee las lengüetas en el espaciador con la ranura en la tabla de biselado (Fig. 20). Luego, deslice las cabezas de los pernos de carruaje en la ranura en T en la parte superior de la guía.

Tabla de biselado para la superficie de la mesa (Fig. 21)

1. Inserte dos pernos de carruaje 1/4-20 x 1½" (30) a través de los orificios ranurados en la tabla de biselado (19).
2. Deslice una arandela grande (26) en cada perno de carruaje y enrosque una perilla de fijación pequeña (17) tres o cuatro giros en cada perno de carruaje.
3. Para instalar la tabla de biselado en el canal de inglete sobre la superficie de la mesa, inserte las cabezas de los pernos de carruaje en el par de ranuras de bocallave que desee sobre la superficie de la mesa (ubicados en el canal de inglete). Luego apriete las perillas de fijación firmemente.

Fig. 19

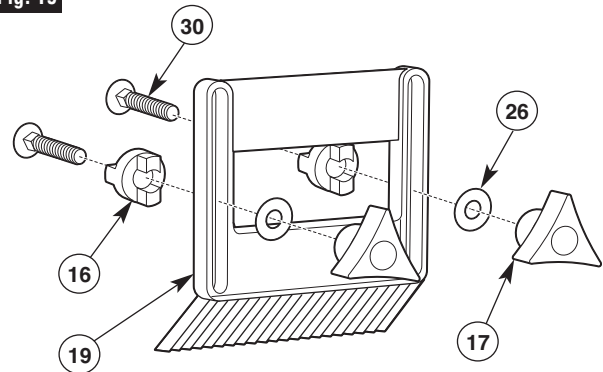


Fig. 20

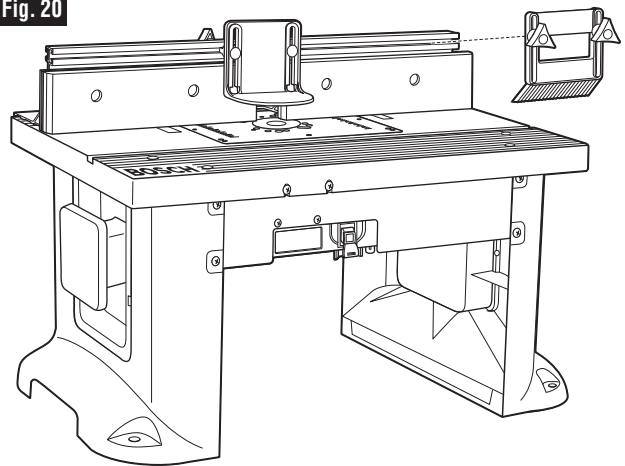
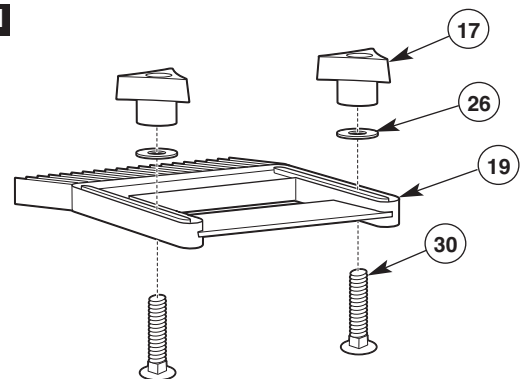


Fig. 21



Operación de la mesa de fresado

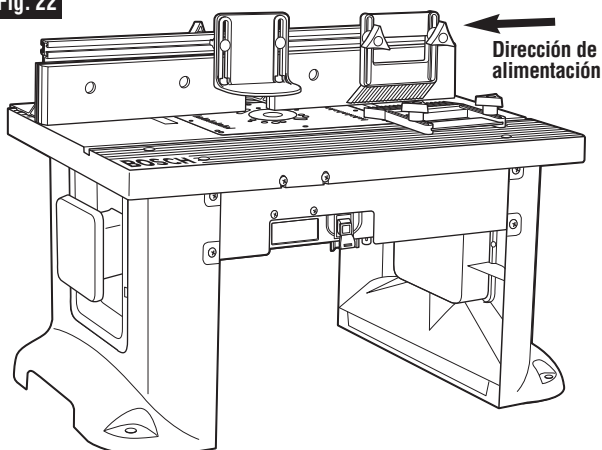
CÓMO FRESAR UTILIZANDO TABLAS DE BISELADO (FIG. 22)

Las tablas de biselado son de utilidad para controlar la pieza de trabajo mientras se realiza el trabajo de fresado, y sirven para mantener la pieza de trabajo plana sobre la mesa. La tabla de biselado de la superficie de la mesa, en combinación con la tabla de biselado de la guía ayuda a mantener la pieza de trabajo presionada contra la guía y la superficie de la mesa. La mejor ubicación para las tablas de biselado varía según la aplicación, el tamaño de la pieza de trabajo y otros factores.

1. Sin apretar, instale la(s) tabla(s) de biselado(s) según se describe en la página 89.
2. Coloque la pieza de trabajo en la mesa de fresado de manera que quede cuadrada contra la guía.
3. Coloque ambas tablas de biselado cómodamente contra la pieza de trabajo y apriete las perillas abrazaderas.
4. La pieza de trabajo se debe mover con cierta resistencia pero sin necesidad de un gran esfuerzo.
5. Para piezas de trabajo más anchas, no se puede usar la tabla de biselado de la superficie de la mesa. La segunda tabla de biselado también se puede posicionar en la guía, si se desea.

Se pueden adquirir tablas de biselado adicionales, modelo RA1187 a través de la tienda minorista Bosch más cercana.

Fig. 22



⚠ ADVERTENCIA Nunca suelte la pieza de trabajo cuando esté realizando un fresado hasta haber completado el corte y que la pieza de trabajo esté completamente alejada de la broca. Tales medidas de precaución reducen el riesgo de lesiones personales y/o daños de la propiedad.

- Las tablas de biselado sirven de ayuda para sostener la pieza de trabajo en posición al fresar en una mesa de fresado.
- Su función NO es únicamente sostener la pieza de trabajo en su lugar cuando la misma esté en contacto con la broca, o en cualquier otro momento en que la broca esté girando.

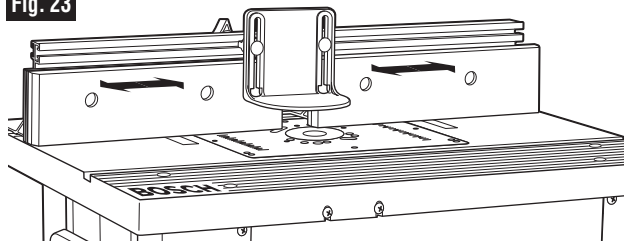
⚠ ADVERTENCIA Para fresar de forma precisa y con mayor control, la pieza de trabajo se deberá sostener contra la guía de la mesa de fresado al fresar.

CÓMO AJUSTAR EL REFRENTADO DE LA GUÍA (FIG. 23)

Las caras derecha e izquierda de la guía se encuentran sujetas a la cara frontal de la guía de la mesa fresadora, y se las puede ajustar hacia adentro o hacia fuera desde la broca de la fresadora a fin de permitir espacios adecuados para brocas de distintos tamaños. Para obtener la mejor sujeción durante las operaciones de fresado, los refrentados de la guía deben ubicarse lo más cerca posible de la broca, sin llegar a entrar en contacto con la misma (normalmente ca. 1/4" de la broca).

1. Afloje las dos perillas de sujeción en la parte posterior del refrentado de la guía y coloque las caras hacia adentro o hacia fuera desde la broca de la fresadora, según sea necesario.

Fig. 23



⚠ ADVERTENCIA Siempre sostenga la pieza de trabajo contra la guía de la mesa de fresado al fresar. Tales medidas de seguridad incrementan la precisión al fresar y mejoran el control de la pieza de trabajo, reduciendo el riesgo de lesiones personales.

2. Una vez que el refrentado de la guía se encuentra en la posición deseada, ajuste las perillas de sujeción FIRMEMENTE.

Operación de la mesa de fresado

CÓMO AJUSTAR LA PROFUNDIDAD Y LA ALTURA DEL CORTE (FIG. 24)

1. Seleccione una tabla suave y recta, con buenos bordes cuadrados.
2. Marque las líneas "A" y "B" en el extremo de la tabla, como aparece en el detalle 24.
 - La línea "A" indica la *altura de corte deseada*.
 - La línea "B" indica la *profundidad de corte deseada*.
 - El área delineada por "A," "B," y el borde de la tabla es el área que se va a cortar.
3. Siguiendo las instrucciones que vienen con la fresadora, ajuste la altura de corte de la fresadora hasta que la parte superior de la broca de la fresadora se alinee con la línea "A".
4. Si puede lograrse la profundidad de corte deseada en una sola pasada, desajuste las perillas de fijación de la guía y desplace la guía hacia delante o hacia atrás hasta que el filo exterior de la broca se encuentre alineado con la línea "B". Puede ser necesario tener que volver a colocar el protector a fin de brindar un acceso más fácil.

NOTA: Si desea realizar cortes más profundos, NO lo intente de una sola pasada. Realice varias pasadas menos profundas, y de manera progresiva desplace la guía hacia atrás hasta alcanzar la profundidad de corte deseada.

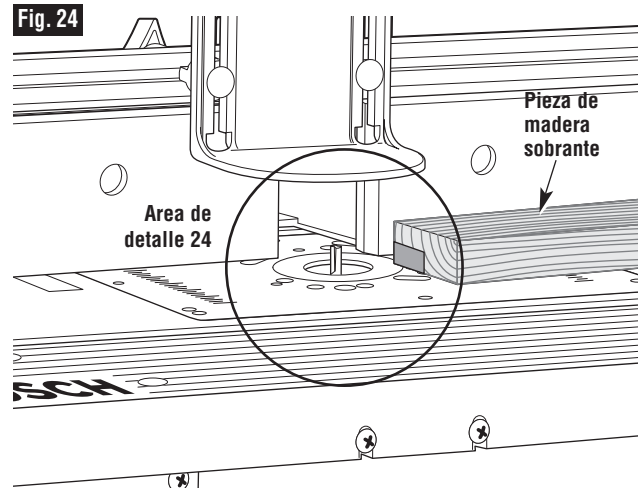
5. Revise nuevamente que la guía esté paralela a la ranura de la barra de inglete, luego apriete FIRMEMENTE ambas perillas abrazaderas de la guía.

⚠ ADVERTENCIA Siempre asegúrese de que la guía y el protector de seguridad no puedan tener contacto con la broca de fresado. Si esto no se hace de dicho modo, se producirán daños sobre la mesa de fresado y esto podrá ocasionar lesiones personales.

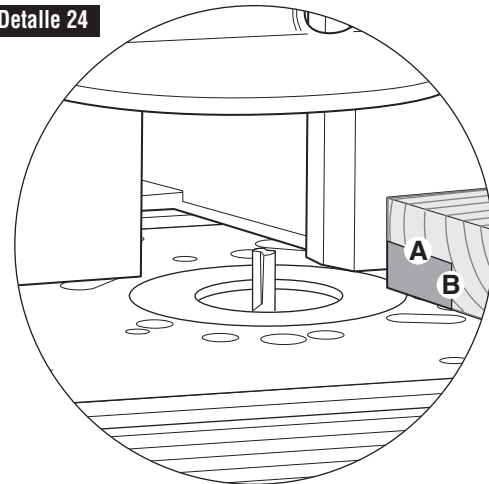
6. Una vez se realicen todos los ajustes, verifique que:
 - La fresadora esté FIRMEMENTE apretada en la base de la fresadora.
 - La broca de la fresadora esté FIRMEMENTE apretada en el portabrocas de la fresadora, con al menos 3/4" de enganche de la espiga.
 - La base de la fresadora esté FIRMEMENTE apretada a la placa de montaje de la mesa de fresado.

7. Retire la plancha de la mesa.

NOTA: Al hacer los ajustes, use una pieza de madera sobrante para hacer los cortes de ensayo antes de hacer el corte con la pieza de trabajo real.



Detalle 24



Operación de la mesa de fresado

CORTE O UNIÓN DEL BORDE COMPLETO (FIGS. 25 Y 26)

Para una mayor fuerza y exactitud, las tablas a unirse deben estar lisas y cuadradas. Los bordes deben estar alineados con las superficies de la pieza de trabajo. Se pueden nivelar los bordes mediante el uso de una mesa de fresado con una **broca recta**.

NOTA: la cuña de empalme puede utilizarse para otorgar un soporte continuo a la pieza de trabajo a medida que se alimenta la broca de la fresadora.

⚠ ADVERTENCIA Siempre asegúrese de que la guía y el protector de seguridad no puedan tener contacto con la broca de fresado. Si esto no se hace de dicho modo, se producirán daños sobre la mesa de fresado y esto podrá ocasionar lesiones personales.

1. Afloje las perillas abrazaderas en el refrentado izquierdo de la guía.
2. Alinee la ranura en la(s) cuña(s) de unión con los orificios en el refrentado de la guía, y deslice la(s) cuña(s) de unión entre la guía y el refrentado izquierdo de la guía (Fig. 25).
Use una cuña de unión para una compensación de 1/16", o ambas cuñas de unión para una compensación de 1/8".
3. Instale una broca recta en la fresadora.
4. Coloque los dos refrentados de la guía de modo que estén a una distancia de 1/4" de la broca.
5. Ajuste las cuatro perillas de fijación que sostienen en su lugar a los refrentados de la guía.
6. Coloque una regla o un pedazo de madera plano sobre la mesa para que se apoye sobre el refrentado de la guía izquierda.
7. Desplace la guía hacia atrás hasta que la regla se alinee con el borde de corte de la broca y todavía se encuentre en contacto con el refrentado de la guía izquierda.
8. Ajuste las perillas de fijación.
9. Retire la regla o madera plana.
10. Ajuste la altura de la broca de modo que pueda cortar el espesor total de la pieza de trabajo.
11. Coloque las tablas de biselado, si se desea. Consulte la sección CÓMO FRESAR UTILIZANDO TABLAS DE BISELADO, en la página 90.
12. Retire la tabla de la mesa y baje la protección superior hasta la posición de operación. Ajuste las perillas de fijación de seguridad **FIRMEMENTE**.
NOTA: Al hacer ajustes, utilice una pieza de madera sobrante para realizar cortes de prueba antes de llevar a cabo el corte con la pieza de trabajo real.
13. Cerciórese de que tanto la fresadora como la caja del interruptor estén apagadas (OFF), luego conecte la fresadora en la caja del interruptor.

Fig. 25

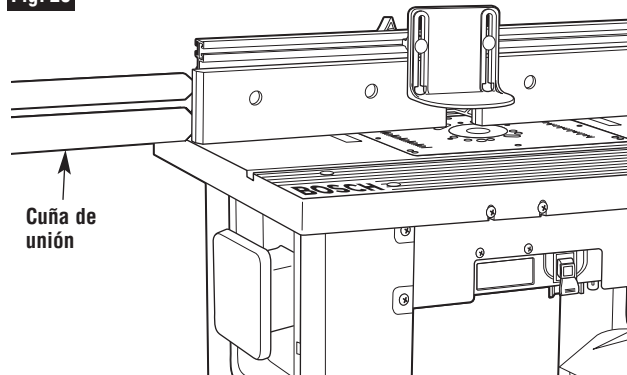
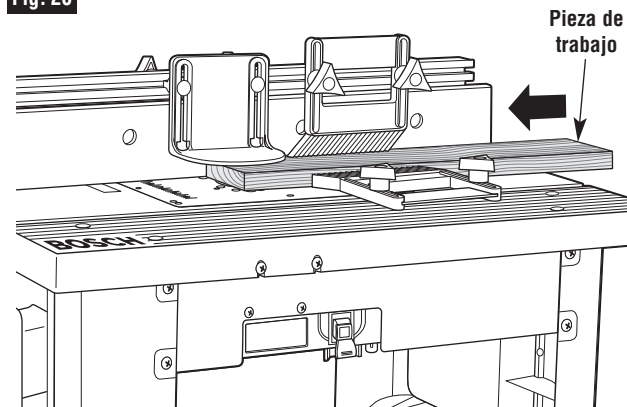


Fig. 26



14. Mientras sostiene firmemente una pieza de sobrante de madera contra la guía y hacia abajo contra la mesa de fresado, alimente una pieza sobrante de madera hacia la broca en la dirección que indica la flecha en la Fig. 26.
15. Usando la caja del interruptor, apague la fresadora. Si se necesita algún ajuste, desconecte la fresadora y repita los pasos 6 a 11 hasta que todos los ajustes estén correctos. Una vez esté satisfecho con todos los niveles, haga el corte con la pieza de trabajo verdadera.

Operación de la mesa de fresado

CORTE DE LOS BORDES CON BROCAS DE FRESADO NO PILOTEADAS (FIGS. 27 Y 28)

⚠ ADVERTENCIA Desconecte la fresadora del enchufe de corriente antes de realizar ajustes o cambiar accesorios. Tales medidas de precaución reducen el riesgo de un funcionamiento no intencional de la herramienta.

NOTA: Si la cuña de empalme se encuentra instalada, retírela antes de comenzar a trabajar.

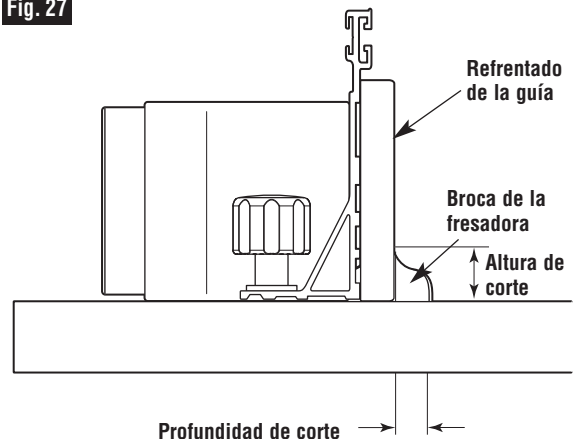
Cuando use brocas de fresado NO PILOTEADAS, debe utilizar la guía para establecer la profundidad de corte. Para hacer cortes profundos, no intente cortar la profundidad total de una sola pasada. Repita el movimiento, dando pequeños cortes.

1. Instale la broca deseada en la fresadora.
2. Siga las instrucciones de la página 91 a fin de establecer la profundidad y altura de corte deseadas (Fig. 27). Asegúrese de que la guía y la fresadora estén FIRMEMENTE en su lugar.
3. Coloque los dos refrentados de la guía de modo que estén a una distancia de 1/4" de la broca.
4. Ajuste las cuatro perillas de fijación que sostienen los refrentados de la guía en su lugar.
5. Coloque las tablas de biselado, si se desea. Consulte la sección CÓMO FRESAR UTILIZANDO TABLAS DE BISELADO, en la página 90.
6. Retire la tabla de la mesa y baje la protección superior hasta la posición de operación. Ajuste las perillas de fijación de seguridad FIRMEMENTE.

NOTA: Al hacer ajustes, utilice una pieza de madera sobrante para realizar cortes de prueba antes de llevar a cabo el corte con la pieza de trabajo real.

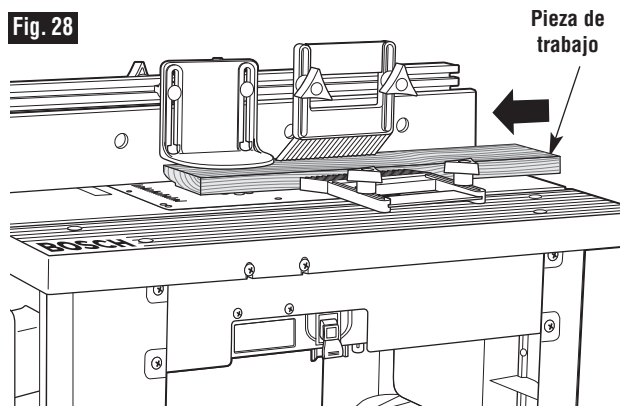
7. Cerciórese de que tanto la fresadora como la caja del interruptor estén apagadas (OFF), luego conecte la fresadora en la caja del interruptor.
8. Mientras sostiene firmemente una pieza de sobrante de madera contra la guía y hacia abajo contra la mesa de fresado, alimente una pieza sobrante de madera hacia la broca en la dirección que indica la flecha en la Fig. 28.
9. Usando la caja del interruptor, apague la fresadora. Si se necesita algún ajuste, desconecte la fresadora y repita los pasos 2 a 8 hasta que todos los ajustes estén correctos. Una vez esté satisfecho con todos los niveles, haga el corte con la pieza de trabajo verdadera.

Fig. 27



La protección de seguridad no aparece para facilitar la claridad de visión.

Fig. 28



Operación de la mesa de fresado

CORTE DE LOS BORDES CON BROCAS DE FRESADO PILOTEADAS (FIGS. 29 Y 30)

⚠ ADVERTENCIA Desconecte la fresadora del enchufe de corriente antes de realizar ajustes o cambiar accesorios. Tales medidas de precaución reducen el riesgo de un funcionamiento no intencional de la herramienta.

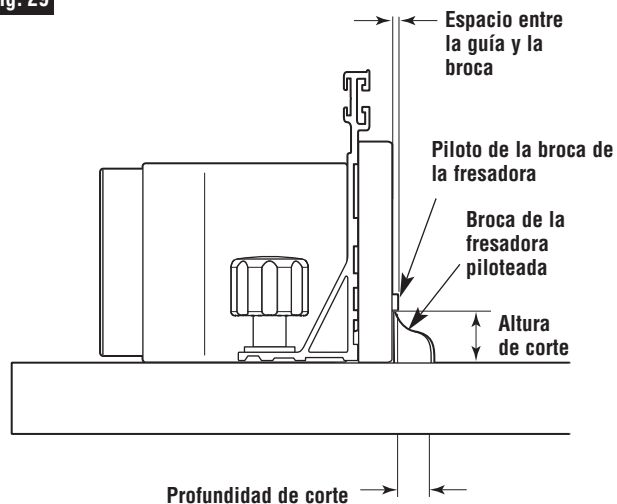
NOTA: Si la cuña de empalme se encuentra instalada, retírela antes de comenzar a trabajar.

1. Instale la broca piloteada que desee en la fresadora.
2. Siga las instrucciones de la página 91 para establecer la altura de corte deseada (Fig. 29). Asegúrese de que la fresadora se encuentre FIRMEMENTE en su lugar.
3. Ajuste la guía de la mesa fresadora hacia atrás de modo que el piloto de la broca de fresado pueda controlar la profundidad de corte. El piloto de la broca de fresado debe apenas sobresalir los refrentados de la guía. Ajuste las perillas de fijación de la guía FIRMEMENTE.
4. Coloque los dos refrentados de la guía de modo que estén a una distancia de 1/4" de la broca.
5. Ajuste las cuatro perillas de fijación que sostienen los refrentados de la guía en su lugar.
6. Retire la tabla de la mesa y baje la protección superior hasta la posición de operación. Ajuste las perillas de fijación de seguridad FIRMEMENTE.

NOTA: Al hacer ajustes, utilice una pieza de madera sobrante para realizar cortes de prueba antes de llevar a cabo el corte con la pieza de trabajo real.

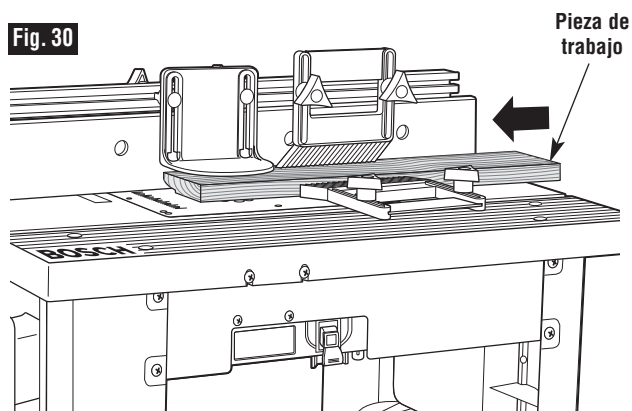
7. Cerciórese de que tanto la fresadora como la caja del interruptor estén apagadas (OFF), luego conecte la fresadora en la caja del interruptor.
8. Mientras sostiene firmemente una pieza de sobrante de madera contra la guía y hacia abajo contra la mesa de fresado, alimente una pieza sobrante de madera hacia la broca en la dirección que indica la flecha en la Fig. 30.
9. Usando la caja del interruptor, apague la fresadora. Si se necesita algún ajuste, desconecte la fresadora y repita los pasos 2 a 8 hasta que todos los ajustes estén correctos. Una vez esté satisfecho con todos los niveles, haga el corte con la pieza de trabajo verdadera.

Fig. 29



La protección de seguridad no aparece para facilitar la claridad de visión

Fig. 30



Operación de la mesa de fresado

RANURAS, ACANALADURAS Y VETAS (FIGS. 31 Y 32)

⚠ ADVERTENCIA Desconecte la fresadora del enchufe de corriente antes de realizar ajustes o cambiar accesorios. Tales medidas de precaución reducen el riesgo de un funcionamiento no intencional de la herramienta.

NOTA: Si la cuña de empalme se encuentra instalada, retírela antes de comenzar a trabajar.

Para estas operaciones de fresado, se recomienda la utilización de tablas de biselado y de un zapato empujador.

Para obtener los mejores resultados y alcanzar la mayor precisión, el lado de la pieza de trabajo que se ubicará contra la guía debe estar completamente apoyado y derecho.

Si está utilizando una aspiradora de mojado/secado, debe conectarla al puerto de vacío ubicado en la parte posterior del gabinete de la mesa.

1. Instale la broca de corte de extremo deseada en la fresadora.
2. Siga las instrucciones de la página 91 para establecer la profundidad de corte (ubicación del corte) y altura de corte deseadas (Fig. 31). Asegúrese de que la guía y la fresadora se encuentren FIRMEMENTE en su lugar.

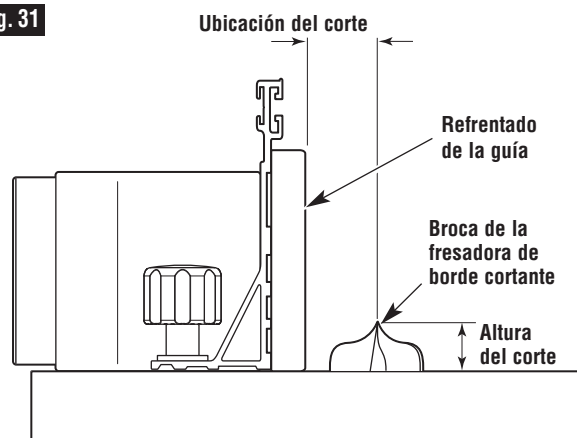
IMPORTANTE: Para hacer cortes profundos, no intente cortar la profundidad total (controlada por la altura de broca de la fresadora) de una sola pasada. Repita el movimiento, dando pequeños cortes hasta lograr la profundidad deseada.

3. Ubique los dos refrentados de la guía de modo que otorguen un soporte continuo a la pieza de trabajo.
4. Ajuste las cuatro perillas de fijación que sostienen a los refrentados de la guía en su lugar.
5. Coloque las tablas de biselado, si se desea. Consulte la sección CÓMO FRESAR UTILIZANDO TABLAS DE BISELADO, en la página 90.
6. Retire la tabla de la mesa y baje la protección superior hasta la posición de operación. Ajuste las perillas de fijación de seguridad FIRMEMENTE.

NOTA: Al hacer ajustes, utilice una pieza de madera sobrante para realizar cortes de prueba antes de llevar a cabo el corte con la pieza de trabajo real.

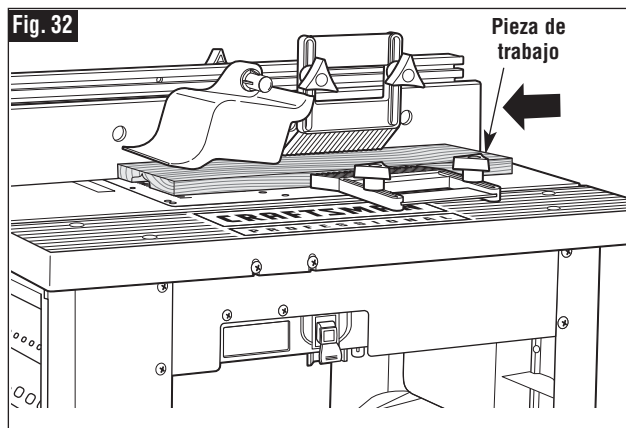
7. Cerciérese de que tanto la fresadora como la caja del interruptor estén apagadas (OFF), luego conecte la fresadora en la caja del interruptor.

Fig. 31



La protección de seguridad no aparece para facilitar la claridad de visión

Fig. 32



8. Mientras sostiene firmemente una pieza de sobrante de madera contra la guía y hacia abajo contra la mesa de fresado, alimente una pieza sobrante de madera hacia la broca en la dirección que indica la flecha en la Fig. 32.
9. Usando la caja del interruptor, apague la fresadora. Si se necesita algún ajuste, desconecte la fresadora y repita los pasos 2 a 8 hasta que todos los ajustes estén correctos. Una vez esté satisfecho con todos los niveles, haga el corte con la pieza de trabajo verdadera.

Operación de la mesa de fresado

USO DE LA PATA DE ARRANQUE PARA FORMAR LOS BORDES DE LAS CURVAS

La pata de arranque (20) se utiliza en vez de la guía para las operaciones que involucran el fresado de curvas en la pieza de trabajo. Se debe usar únicamente con brocas que tienen cojinetes de piloto. Enrosque el pasador de arranque en el orificio enroscado en la placa de montaje y apriete firmemente con un destornillador ranurado (Fig. 33).

Una el protector de la pata de arranque (21) a la placa de montaje enroscando un tornillo (22) de máquina de cabeza segmental #10-32 x 3/8" a través del orificio en el poste de protección hacia al orificio enroscado en la placa de montaje. Alinee el dispositivo de seguridad con el orificio en la placa de montaje de manera que quede encima de la broca y firmemente sujete el dispositivo de seguridad en su lugar.

- Siempre utilice el protector de seguridad de la pata de arranque al fresar con la pata de arranque.
- Cuando utilice la pata de arranque, la dirección de alimentación de la pieza de trabajo es siempre de derecha a izquierda por el frente de la broca (Fig. 34).
- Fije la pieza de trabajo contra el frente de la pata de arranque y balancéelo lentamente hacia la broca.
- Mientras esté fresando, cerciórese de que la pieza de trabajo esté siempre en contacto con el cojinete piloto de la broca.

⚠ ADVERTENCIA Use la clavija del protector de seguridad de encendido para este tipo de operación. No intente fresar piezas muy pequeñas. Mantenga los dedos alejados cuando la broca esté girando.

Fig. 33

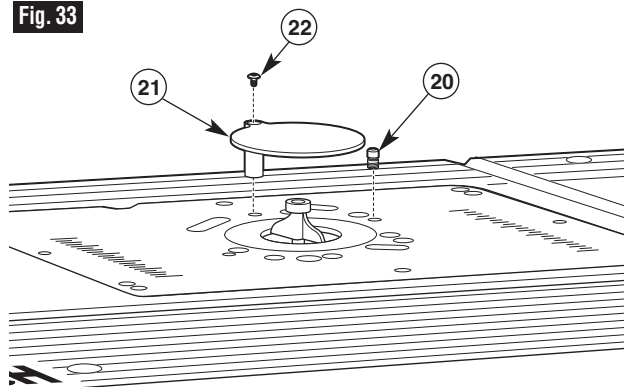
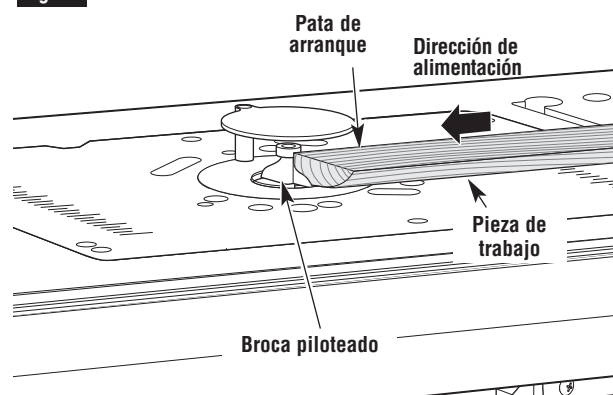


Fig. 34

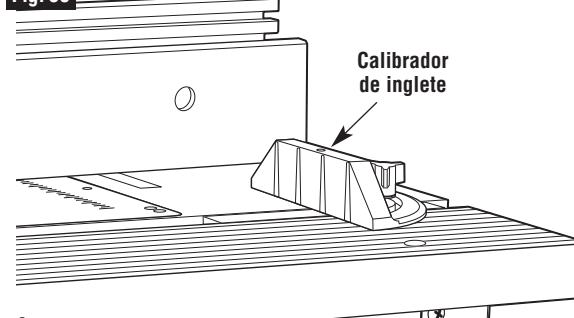


CÓMO UTILIZAR UN CALIBRADOR DE INGLETE (no incluido)

La ranura de calibración de inglete de aluminio puede utilizarse en la gran mayoría de las ranuras de inglete de sierra de mesa fija que miden 3/4" de ancho x 3/8" de profundidad.

NOTA: Para TODAS las operaciones de fresado que requieran el uso del calibrador del inglete con la guía, ASEGÚRESE de alinear la guía con la ranura del calibrador del inglete de la mesa fresadora antes de realizar cualquier tipo de corte. Los ingletes pueden cortarse si se desajusta la perilla de la cabeza del transportador, se gira la cabeza del transportador a 60° en cualquier dirección y se vuelve a ajustar la perilla.

Fig. 35



© Robert Bosch Tool Corporation, 1800 W. Central Road, Mt. Prospect, IL 60056-2230
Exportado por: Robert Bosch Tool Corporation, Mt. Prospect, IL 60056-2230, E.U.A.
Importado en México por: Robert Bosch, S.A. de C.V., Calle Robert Bosch No. 405, Zona Industrial,
Toluca, Edo. de México, C.P. 50070, Tel. (722) 2792300