

VICTROLA



THE LAWRENCE

MODEL: VTA-255B
INSTRUCTION MANUAL
PLEASE READ THIS INSTRUCTION MANUAL CAREFULLY BEFORE USE AND KEEP IT FOR FUTURE REFERENCE.

Important Safety Instructions 3
Product Overview 4
Setup / Basic Operation 7
Listening to a Vinyl Record 7
Listening to the FM Radio 8
Listening to an External Audio Device (AUX Mode) 8
Listening to an External Audio Device (Bluetooth Mode) 9
Maintenance / Proper Handling 9
Specifications 11
Troubleshooting Guide 12
FCC Statement and other warnings 13
Warranty 13

CAUTION
RISK OF ELECTRIC SHOCK
DO NOT OPEN

AVERTISSEMENT:
RISQUE DE CHOC ÉLECTRIQUE – NE PAS OUVRIR.

-This lightning flash with arrowhead symbol within an equilateral triangle is intended to alert the user to the presence of non-insulated "dangerous voltage" within the product's enclosure that may be of sufficient magnitude to constitute a risk of electric shock.
-Warning: To reduce the risk of electric shock, do not remove cover (or back) as there are no user-serviceable parts inside. Refer servicing to qualified personnel. The exclamation point within an equilateral triangle is intended to alert the user to the presence of important operating and maintenance instructions in the literature accompanying the appliance.

CAUTION: To reduce the risk of fire or electric shock, do not expose this appliance to rain or moisture.
WARNING: To prevent electric shock, do not use this (polarized) plug with an extension cord, receptacle or other outlet unless the blades can be fully inserted to prevent blade exposure

This equipment is a Class II or double insulated electrical appliance. It has been designed in such a way that it does not require a safety connection to electrical earth.

Important Safety Instructions

- Read these instructions – All the safety and operating instructions should be read before this product is operated
- Keep these instructions–The safety and operating instructions should be retained for future reference.
- Heed all warnings –All warnings on the appliance and in the operating instructions should be adhered to.
- Follow all instructions – All operating and use instructions should be followed.
- Do not use this apparatus near water – The appliance should not be used near water or moisture – for example, in a wet basement or near a swimming pool, and the like.
- Clean only with dry cloth.
- Do not block any ventilation openings. Install in accordance with the manufacturer's instructions.
- Do not install near any heat sources such as radiators, heat registers, stoves, or other apparatus (including amplifiers) that produce heat.
- Do not defeat the safety purpose of the polarized or grounding plug. A polarized plug has two blades with one wider than the other. A grounding plug has two blades and a third grounding prong. The wide blade or the third prong is provided for your safety. If the provided plug does not fit into your outlet, consult an electrician for replacement of the obsolete outlet.
- Protect the power cord from being walked on or pinched particularly at the plugs, convenience receptacles, and at the point where they exit from the apparatus.
- Use only attachments/accessories specified by the manufacturer.
- Use only with the cart, stand, tripod, bracket, or table specified by the manufacturer, or sold with the apparatus. When a cart or rack is used, use caution when moving the cart/apparatus combination to avoid injury from tip-over.
- Unplug the apparatus during lightning storms or when unused for long periods of time.
- Refer all servicing to qualified personnel. Servicing is required when the apparatus has been damaged in any way, such as power supply cord or plug is damaged, liquid has been spilled or objects have fallen into the apparatus has been exposed to rain or moisture, does not operate normally, or has been dropped.

CAUTION
RISK OF ELECTRIC SHOCK
DO NOT OPEN

AVERTISSEMENT:
RISQUE DE CHOC ÉLECTRIQUE – NE PAS OUVRIR.

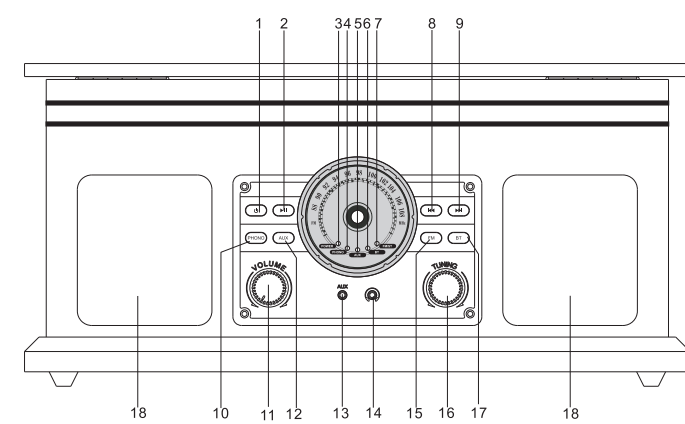
-This lightning flash with arrowhead symbol within an equilateral triangle is intended to alert the user to the presence of non-insulated "dangerous voltage" within the product's enclosure that may be of sufficient magnitude to constitute a risk of electric shock.
-Warning: To reduce the risk of electric shock, do not remove cover (or back) as there are no user-serviceable parts inside. Refer servicing to qualified personnel. The exclamation point within an equilateral triangle is intended to alert the user to the presence of important operating and maintenance instructions in the literature accompanying the appliance.

CAUTION: This equipment is a Class II or double insulated electrical appliance. It has been designed in such a way that it does not require a safety connection to electrical earth.
The mains plug is used as disconnect for the device, the disconnect of the device shall remain readily operable.
To reduce the risk of fire or electric shock, do not expose this apparatus to rain or moisture. The apparatus shall not be exposed to dripping or splashing and that no objects filled with liquids, such as vases, shall not be placed on apparatus.
Use the equipment in a moderate climate.

- ACCESSORIES INCLUDED**
- RCA LINE OUT CABLE
 - INSTRUCTION MANUAL
 - WARRANTY (BACK OF MANUAL)
 - 45 RPM ADAPTER
 - BONUS: EXTRA TURNTABLE NEEDLE

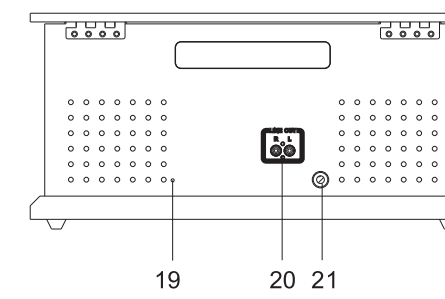
Product Overview

Front View



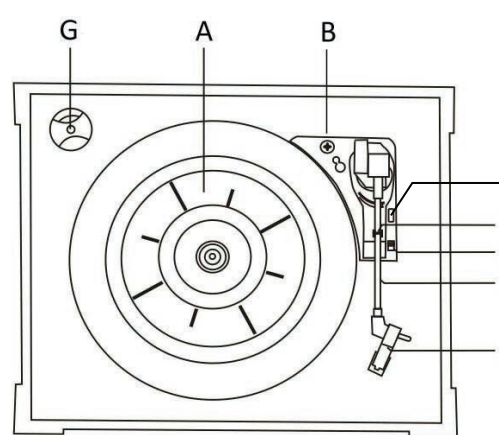
- POWER 0 (STANDBY)** Push to turn the unit ON or OFF.
- PLAY/PAUSE** Press to start playback, press again to pause. (Note: This button only works in Bluetooth mode.)
- STANDBY INDICATOR** Illuminates Red when powering on the unit.
- PHONO INDICATOR** Illuminates Green when in PHONO mode.
- AUX INDICATOR** Illuminates Red when in AUX mode.
- BLUETOOTH INDICATOR** Blue light flashes when the unit is waiting to pair. Blue light stays lit when the external device is connected to the unit.
- FM INDICATOR** Orange light illuminates when station is in stereo playing
- PREVIOUS** track.
- NEXT** track.
- PHONO** Press to enter the PHONO mode.
- VOLUME KNOB** Turn to adjust volume.
- AUX** Press to enter the AUX mode.
- 3.5mm AUX IN JACK** Connects your external source to the AUX IN jack.
- 3.5mm HEADPHONE JACK** - Accepts headphone/earphone plugs.
- FM RADIO** Press to enter the FM mode.
- RADIO TUNER KNOB** In FM mode, turn to tune in a station.
- BT** Press to enter the Bluetooth mode.
- STEREO SPEAKERS**

Rear View



- FM Wire Antenna** While tuned to a station in FM mode, extend the wire and reposition to adjust for best reception.
- LINE OUT Jacks** For amplifier device with RCA auxiliary input sockets, insert the white and red plugs on the RCA cable into the unit. Insert the opposite end into the amplifier device. Be sure to connect the white plug to the white jack and the red plug to the red jack.
- AC Power Cord** Connect the AC plugs into a wall outlet. It is strongly recommended that this product should be operated only from the type of power source indicated on the marking label.

Parts of the Turntable



- Turntable.**
- Safety Screw (for transport)** Before using the unit, turn the screw clockwise using a coin or screwdriver. **Important:** When you transport the unit, turn the screw counterclockwise to secure the turntable.
- Speed Selector.**
- Tone Arm holder.**
- Tone Arm.** Before use, completely loosen the plastic tie on the tone arm and lift the tone arm up.
- STYLUS**
- 45 RPM adapter.**
- Cue Lever.**

Setup / Basic Operation

- Setup**
- Remove white protective needle cover by gently pulling towards front of unit.
 - Remove any packaging materials from the unit.
 - Connect the AC power cord to a wall outlet.

Note: It is strongly recommended that this product should be operated only from the type of power source indicated on the marking label.
To prevent interference, avoid bundling audio signal cables together with the AC power cord.

- Basic Operation**
- Push the **STANDBY** button to turn the unit on.
 - Select the source by pressing the **PHONO/AUX/FM/BT** button.
 - Rotate the **VOLUME** knob to adjust to the desired sound level.

Listening through RCA LINE OUT
For amplifier device listening, first reduce the volume level to minimum. Insert the white and red plugs on the RCA cable into the unit, then insert the opposite end into the amplifier device. Be sure to connect the white plug to the white jack and the red plug to the red jack.

Listening through Earphones/Headphones (not included)
For private listening, first reduce the volume level to minimum. Insert your headphones' plug into the 3.5mm jack, then adjust the volume up by turning the **VOLUME** knob.

Note: The speakers will automatically be deactivated while headphones are plugged in.

CONDENSATION WARNINGS: When the unit is moved from a cold or warm place, or is used following a sudden temperature change, there is the danger that water vapor in the air may condense on the unit, preventing proper operation. In such cases, leave the unit for 1-2 hours after plugging it into an AC outlet to allow it to stabilize at the temperature of its surroundings.

Listening to a Vinyl Record

- Before use, completely loosen the **TRANSPORTATION SCREW** by turning it clockwise with a coin or screwdriver. Detach the stylus guard (white plastic cover).
- Turn the unit ON by pressing the **STANDBY** button.
- Press the **PHONO** button to enter the **PHONO** mode.
- Gently open the dust cover. Be careful not to pinch your finger.
- Put the record on the turntable. Select the speed. When playing a 45 RPM record, use the included 45 adapter.
- Gently push the **CLAMPER** to the right to release the **TONE ARM**.
- Raise the **CUE LEVER** to lift the **TONE ARM** off the tone arm support.
- Move the **TONE ARM** gently to the edge of the record (or the starting point of a track). The turntable will begin to turn.

Listening to the FM Radio

- Press the **FM** button to enter FM mode.
- Tune to the desired station using the **Radio Tune Knob**.
NOTE: In FM mode, the "FMST" indicator lights up orange when the station reception is in stereo.

Adjusting for Best Reception
FM broadcast: Extend and reposition the FM antenna.

Listening to an External Audio Device (AUX Mode)

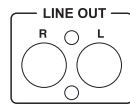
In **AUX (auxiliary) mode**, this unit can play audio from an external audio source (iPod, MP3 Player, Portable CD Player, etc.)

Playing via 3.5mm AUX-IN Jack on the Front of Unit:

- Turn the unit ON by pressing the **STANDBY** button.
- Press the **AUX** button to enter the **AUX IN** mode.
- Connect the 3.5mm aux-in cable (NOT included) into the 3.5mm AUX-IN Jack to play an external audio source, such as CD player, tablet, MP3 player, etc.

LINE-OUT Jacks on the Back of Unit:

If you play this device through external powered speakers, you can connect the unit with an RCA component cable (included). Make sure to connect the white plug to white jack (left) and the red plug to the red jack (right).



Listening to an External Audio Device (Bluetooth Mode)

In **BT (Bluetooth) mode**, this unit can play music from external devices which have a built-in Bluetooth feature.

GETTING CONNECTED USING BLUETOOTH

- Press the **BT** button to enter the Bluetooth mode.
- The Bluetooth indicator will flash blue.
- Turn ON the Bluetooth function on your external device.
NOTE: The effective distance between your external device and this apparatus is 10 meters (33ft).
- Wait for "Victrola Lawrence" to appear on the paired devices list of your external device and press "Victrola Lawrence". In some instances: a window will ask you a password. Fill in "0000" then press "OK" on your external device.
- A few seconds later your Bluetooth connection is successful and the blue indicator stays lit.
- Press the **PLAY/PAUSE** button (▶||) to begin playback.
- To temporarily pause playback, press the **PLAY/PAUSE** button (▶||). Press again to resume.
- To skip to the previous or next tracks, press the corresponding skip button (◀◀ or ▶▶) to listen.

NOTE: Stop, fast forward / rewind are only available on your external device.

Maintenance / Proper Handling

Handling Vinyl Records

- Do not touch the record's grooves. Only handle records by the edges or the label with clean hands. Touching the record surface will cause your record's quality to deteriorate.
- To clean a record, use a soft anti-static cloth to gently wipe the record surface.
- Keep records in their protective sleeves when not in use.
- Always store records upright on their edges.
- Avoid playing records in direct sunlight, close to a heat source (radiators, stoves, etc.) or in a location subject to vibration, excessive dust, heat, cold or moisture.

General Care

- When removing the power plug from the wall outlet, always pull directly on the plug. Never pull the cord.
- To keep the laser pickup clean, do not touch it, and do not forget to dose the disc tray.
- Do not attempt to clean the unit with chemical solvents as this might damage the finish.
- For cleaning, only use a clean, dry cloth.
- In order to shut off the power to this product completely, unplug the power cord from the wall outlet. Be sure to unplug the unit if you do not intend to use it for an extended period of time.

How to Replace the Turntable Stylus (Replacement Needle # ITNP-S1)
The stylus should last about 50 hours under normal use. However, it is recommended that the stylus be replaced as soon as you notice a change in sound quality. Prolonged use of a worn-out stylus may damage the record. The highest speed of 78 RPM records would wear the stylus more quickly.

Removing the Stylus from the Cartridge

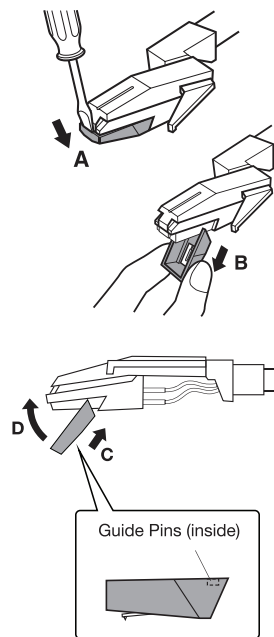
- Set a screwdriver at the tip of the stylus and push down to the direction "A".
WARNING: When applying force to stylus, too much may damage or break the stylus.
- Pull the stylus out toward the direction "B".

Installing the Stylus

- Hold the tip of the stylus and insert the other edge by pressing toward direction "C".
- Skip the stylus up toward direction "D" until it locks at the tip.

Caution:

- Do not remove or bend the stylus needle.
- Do not touch the needle to avoid injury to your hand.
- Turn off the unit's power before you replace the stylus.
- Keep out of reach of children.



Specifications

GENERAL	
Power Requirements.....	AC 120V ~ 60Hz
Power Consumption.....	30W
AMPLIFIER	
Output Power.....	5W + 5W
Frequency Response.....	60 to 20,000 Hz
SPEAKER SYSTEM	
Type.....	2-way
Impedance.....	8 ohms
Output Power.....	Max. 6W
FM Radio	
Frequency.....	88 to 108 MHz
RECORD PLAYER	
Motor.....	DC servo motor
Drive System.....	Belt Drive
Speed.....	33-1/3 rpm, 45 rpm and 78 rpm
S/N Ratio.....	More than 50 dB
Cartridge Type.....	Ceramic Stereo Cartridge
Stylus.....	ITNP-S1
BLUETOOTH	
Bluetooth Version.....	Bluetooth V5.0
Bluetooth Profiles.....	A2DP, AVRCP
Bluetooth Frequency range.....	2.402GHz-2.480GHz
Operating Distance.....	10 meters (33 ft.)

Please note: As a result of continual improvements, the design and specifications of this product are subject to change without notice.

Made in China.

Bluetooth is a registered trademark of Bluetooth SIG, Inc. Other trademarks and trade names are those of their respective owners.

Troubleshooting Guide

	Symptom	Possible Cause	Solution
GENERAL	• Unit will not power on.	• Unit is unplugged.	• Connect the unit to the AC power supply.
	• No sound output from speakers.	• The volume level is set too low. • The input selector does not match the playback source.	• Adjust the volume. • Select the correct input source.
FM RADIO	• Noise/Distortion in sound output.	• The unit is too close to a TV set or another interfering device.	• Turn off the TV or other appliance, and relocate the unit.
	• Unit fails to respond.	• It might result from external factors such as ESD (Electro-static discharge).	• Disconnect the power cord and external audio device. Re-plug the power cord after one minute.
PHONO	• Cannot listen to any station, or signal appears weak.	• The station is not tuned-in properly. • A TV set is interfering with nearby and is interfering with the radio reception.	• Properly tune-in the desired station. • Turn-off the interfering TV set.
	• The sound is distorted.	• The antenna is not oriented properly.	• Re-orient the antenna until reception improves.
AUX	• Decline in turntable audio performance	• The turntable stylus is worn out	• Replace the stylus.
	• No sound output with external audio device plugged into rear AUX (i) Jack.	• Both AUX in jacks (front and rear) are plugged.	• Unplug the front AUX in Jack.
BLUETOOTH	• No sound	• The unit is not switched to Bluetooth mode • Your device's and/or the unit's volume is not turned up. • Your device is too far from the unit or there're some obstacle between your device and the unit	• Ensure the unit is switched to BT mode. • Move your Bluetooth device closer to unit • Turn up the volume on your portable device and/or the unit. • Turn OFF your Bluetooth device and unit. Then power them both back ON
	• Sound has a lot of static	• Your device is too far away	• Bring your device closer to the turntable
	• Unable to pair with a Bluetooth device	• Your device doesn't have Bluetooth connectivity. • The Bluetooth pairing is not successful	• Confirm that your device is Bluetooth compatible. • Re-pair the unit and device again.

FCC Statement

Warning: Changes or modifications to this unit not expressly approved by the party responsible for compliance could void the safety authority to operate the equipment.

NOTE: This equipment has been tested and found to comply with the limits for Class B digital device, pursuant to part 15 of the FCC Rules. These limits are designed to provide reasonable protection against harmful interference in a residential installation. This equipment generates, uses and can radiate radio frequency energy and, if not installed and used in accordance with the instructions, may cause harmful interference to radio communications. However, there is no guarantee that interference will not occur in a particular installation. If this equipment does cause harmful interference to radio or television reception, which can be determined by turning the equipment off and on, the user is encouraged to try to correct the interference by one or more of the following measures:
-Reorient or relocate the receiving antenna.
-Increase the separation between the equipment and the receiver.
-Connect the equipment into an outlet on a circuit different from that to which the receiver is connected.
-Consult the dealer or an experienced radio/TV technician for help.

This device complies with Part 15 of the FCC Rules. Operation is subject to the following two conditions: (1) This device may not cause harmful interference, and (2) this device must accept any interference received, including interference that may cause undesired operation.

FCC Radiation Exposure Statement This equipment complies with FCC radiation exposure limits set forth for an uncontrolled environment. This equipment should be installed and operated with minimum distance 20cm between the radiator & your body.

-English:
This device complies with Industry Canada's license-exempt RSSs. Operation is subject to the following two conditions:
(1) This device may not cause interference, and
(2) This device must accept any interference, including interference that may cause undesired operation of the device.

-French:
Le présent appareil est conforme aux CNR d'Industrie Canada applicables aux appareils radio exempts de licence. L'exploitation est autorisée aux deux conditions suivantes:
(1) l'appareil ne doit pas produire de brouillage, et
(2) l'utilisateur de l'appareil doit accepter tout brouillage radioélectrique subi, même si le brouillage est susceptible d'en compromettre le fonctionnement.

IC WARNING

-English:
This device complies with Industry Canada's license-exempt RSSs. Operation is subject to the following two conditions:
(1) This device may not cause interference, and
(2) This device must accept any interference, including interference that may cause undesired operation of the device.

-French:
Le présent appareil est conforme aux CNR d'Industrie Canada applicables aux appareils radio exempts de licence. L'exploitation est autorisée aux deux conditions suivantes:
(1) l'appareil ne doit pas produire de brouillage, et
(2) l'utilisateur de l'appareil doit accepter tout brouillage radioélectrique subi, même si le brouillage est susceptible d'en compromettre le fonctionnement.

Warranty

United States
Victrola (Innovative Technology Electronics, LLC) warrants to the original retail purchaser that this product will be free from defective materials and workmanship for one (1) year from the date of purchase, subject to the limitations below. This warranty period is not extended if we replace the product.

To obtain a replacement under the terms of this warranty, you must contact the dealer from which it was purchased with your original receipt. If assistance from the dealer from which it was purchased is impossible, you may contact our customer service for warranty assistance at vicrola.com/contact.

Except as limited below, if the product proves defective in either material or workmanship within one (1) year from the date of purchase, Victrola will replace the product at no charge. If the product model is no longer available and cannot be replaced with an identical model, Victrola will issue a merchandise credit for the purchase price to be redeemed at vicrola.com.

Limitations:
• This limited warranty does not cover failure of the product arising, in whole or in part, from improper installation, storage, transportation, misuse, abuse, accident, neglect, mishandling, unauthorized repair, modification, or wear from ordinary use or environmental deterioration.
• This limited warranty does not cover cosmetic damage, including paint damage, or consequential damage to other components or premises which may result for any reason from the failure of the product.

• This limited warranty is null and void for products not used in accordance with Victrola's instructions.
• This limited warranty terminates if the original retail purchaser sells or otherwise transfers this product.
• This limited warranty is null and void for defects or damage caused by installation or repair performed by any person or entity other than a Victrola authorized installer or dealer.

This warranty gives you specific legal rights, and you may also have other rights which vary from state to state, jurisdiction or country to country. All express and implied warranties for the product, including but not limited to any implied warranties of merchantability and fitness for a particular purpose, are limited in time to the term of this warranty. Some states, jurisdictions or countries do not allow the exclusion of certain implied warranties or conditions, or limitations on how long an implied warranty or condition lasts, so this limitation may not apply to you. Victrola's responsibility for malfunctions and defects in hardware is limited to replacement or repair as set forth in this warranty statement. Victrola does not accept liability for special, punitive, consequential or incidental damages or losses, whether direct or indirect, including without limitation, any liability for third party claims against you for damages or losses or for products not being available for use. The maximum liability for which Victrola may be responsible will be no more than the amount you paid for the product that is the subject of the claim. Some states, jurisdictions or countries do not allow the exclusion or limitation of special, indirect, incidental or consequential damages, so the above limitation or exclusion may not apply to you.

Canada and US Territories
The Warranty on this product shall comply with applicable law when sold to a consumer in Canada or a US Territory. To obtain any applicable warranty service, please contact the dealer from which you purchased the product, or the distributor that supplied the product, with your original receipt. If assistance from the dealer from which it was purchased is impossible, you may contact our customer service for warranty assistance at vicrola.com/contact.

If this product proves defective in either material or workmanship, Victrola will replace the product at no charge. If the product model is no longer available and cannot be repaired effectively or replaced with an identical model, Victrola at its sole option may replace the unit with a current model of equal or greater value.

Outside the U.S., Canada, and US Territories
The Warranty on this product shall comply with applicable law when sold to a consumer outside of the United States, Canada, and US Territories. To obtain any applicable warranty service, please contact the dealer from which you purchased the product, or the distributor that supplied the product, with your original receipt.