

Haier SERVICE MANUAL

COLOR TV

Customer Model:HL22FO1

Service Model:HL22FO1a

Chassis:MTK5380LC



WARNING

This service information is designed for experienced repair technicians only and is not designed for use by the general public. It does not contain warnings or cautions to advise non-technical individuals of potential dangers in attempting to service a product. Products powered by electricity should be serviced or repaired only by experienced professional technicians. Any attempt to service or repair the product dealt with in this service information by anyone else could result in serious injury or death.

@2009(Full name of the company who issues the service information)
All rights reserved. Unauthorized copying and distribution is a violation of law.

CONTENTS

Table of contents	2
1. General Information	3
1-1. General Guidelines.....	3
1-2. Important notice.....	3
1-3. How to read this Service Manual.....	4
2. Specifications	6
3. Location of Controls and Components	7
3-1.Board Location.....	7
3-2. Main Board & AV Board.....	7
3-3. Power Board.....	9
3-4. LCD Panel.....	10
4. Disassemble and assemble	11
4-1 Remove the Pedestal	12
4-2 Remove the Back Cover.....	12
4-3 Remove the adhesive tape.....	12
4-4 Remove the Terminal Bracket.....	12
4-5 Remove the power module.....	13
4-6 Remove the Main board.....	13
4-7 Remove the small power board.....	13
4-8 Remove the speaker	13
4-9 Remove the remote control board	13
5. Installation Instructions	14
5-1 External Equipment Connections	14
5-2 HDMI Connections	16
6. Operation Instructions	19
6-1 Front Panel Controls	19
6-2 Back Panel Controls	19
6-3 Universal Remote Controller.....	19
7. Electrical parts	21
7-1. Block diagram	21
7-2. Circuit Diagram.....	21
7-3 .Wiring Connection Diagram.....	36
8. Measurements and Adjustments	37
8-1. Service Mode	37

8-1-1.How to enter into Service Mode	37
8-1-2.How to exit	37
8-2. Measurements and Adjustments	37
9. Trouble shooting	43
9-1. Simple check	43
9-2. Power Supply Board failure check	44
9-3. Main board failure check	45
9-4. Pannel failure	47

1. General Information

1-1 General Guidelines

When servicing, observe the original lead dress. If a short circuit is found, replace all parts which have been overheated or damaged by the short circuit.

After servicing, see to it that all the protective devices such as insulation barriers, insulation papers shields are properly installed.

After servicing, make the following leakage current checks to prevent the customer from being exposed to shock hazards.

- 1) Leakage Current Cold Check
- 2) Leakage Current Hot Check
- 3) Prevention of Electro Static Discharge(ESD)to Electrostatically Sensitive

1-2 Important notice

1-2-1. Follow the regulations and warnings

Most important thing is to list up the potential hazard or risk for the service personnel to open the units and disassemble the units. For example, we need to describe properly how to avoid the possibility to get electrical shock from the live power supply or charged electrical parts (even the power is off).

This symbol indicates that high voltage is present inside. It is dangerous to make any kind of contact with any inside part of this product.



This symbol indicates that there are important operating and maintenance instructions in the literature accompanying the appliance

1-2-2. Be careful to the electrical shock

To prevent damage which might result in electric shock or fire, do not expose this TV set to rain or excessive moisture. This TV must not be exposed to dripping or splashing water, and objects

Filled with liquid, such as vases, must not be place on top of or above the TV

1-2-3. Electro static discharge (ESD)

Some semiconductor (solid state) devices can be damaged easily by static electricity. Such Components commonly are called Electrostatically Sensitive (ES) Devices. The following tech-niquesshouldbeusedtohelpreducetheincidenceofcomponentdamagecausedbyelectro Static discharge (ESD).

1-2-4. About lead free solder (PbF)

This product is manufactured using lead-free solder as a part of a movement within the consumer products industry at large to be environmentally responsible. Lead-free solder must be used in the servicing and repair of this product.

1-2-5. Use the genuening parts (specified parts)

Special parts which have purposes of fire retardant (resistors),high-quality sound (capacitors), low noise(resistors), etc. are used.

When replacing any of components, be sure to use only manufacture's specified parts shown in the parts list.

Safety Component

- Components identified by mark have special characteristics important for safety.

1-2-6. Photo used in this manual

The illustration and photos used in this Manual may not base on the final design of products, which may differ from your products in some way.

1-2-7. Safety Check after Repairment

Confirm that the screws ,parts and wiring which were removed in order to service are put in the original positions, or whether there are the portions which are deteriorated around the serviced places serviced or not. Check the insulation between the antenna terminal or external metal and the AC cord plug blades. And be sure the safety of that.

Insuration Test

1. Unplug the plug from the AC outlet.
2. Remove the antenna terminal on TV and turn on the TV.
3. Insulation resistance between the cord plug terminals and the eternal exposure metal should be more than M ohm by using the 500V insulation resistance meter
4. If the insulation resistance is less than M ohm, the inspection repair should be required. If you have not the 500V insulation resistance meter, use a Tester.
External exposure metal: Antenna terminal Headphone jack

1-2-8. Ordering Spare Parts

Please include the following informations when you order parts. (Particularly the Version letter)

1. Model number and Version letter
The model number can be found on the back of each product and the Version letter can be found at the end of the serial number.
2. Part No. and Description
You can find them in your service manual

1-3. How to read this Service Manual

1-4-1. Using Icons

Icons are used to attract the attention of the reader to specific information. The meaning of each icon is described in the table below:



A “note” provides information that is not indispensable, but may nevertheless be valuable to the reader, such as tips and tricks.

Caution:

A “caution” is used when there is danger that the reader, through incorrect manipulation,



may damage equipment, loose data, get an unexpected result or has to restart(part of) a procedure.

Warning:



A “warning” is used when there is danger of personal injury.

Reference:

A “reference” guides the reader to other places in this binder or in this manual, where he/she will find additional information on a specific topic.

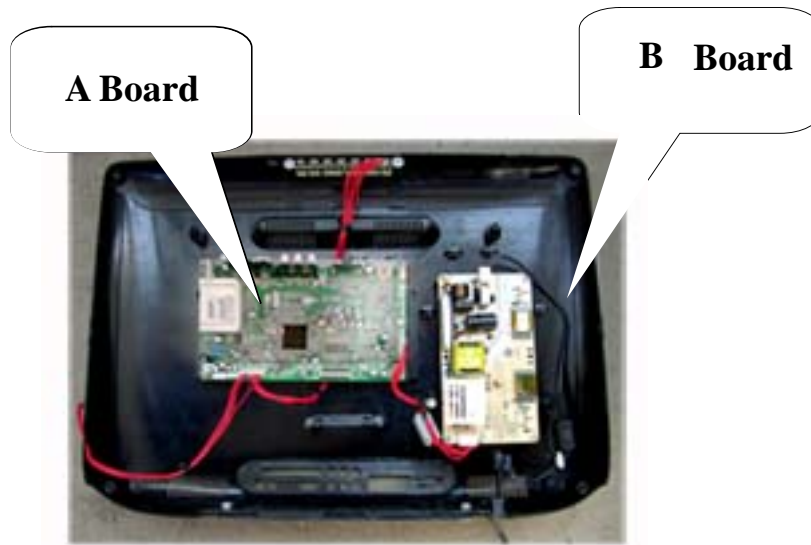


2. Specification

Model	HL22FO1
Screen size	21.6inch
Aspect ratio	16:9
Resolution	1366 x 768
Contrast Ratio	1000:1
Angel of view	H:170/V:160
Color display	16.7M
OSD language	English
Color system	ATSC/NTSC
Color Temperature	Cold/Standard/Warm
Audio output power(Built-in)(W)	3Wx2
Power Consmption(in Standby)	1W
Total power input (W)	50W
Voltage range (V)	120V±10% V
Power frequency (Hz)	60HZ
Time of sleep timer(MINS)	240Min
Net weight(KG)	4.5
Gross weight(KG)	5.6
Net dimension(MM)	534/164/392
Packaged dimension(MM)	600/210/460

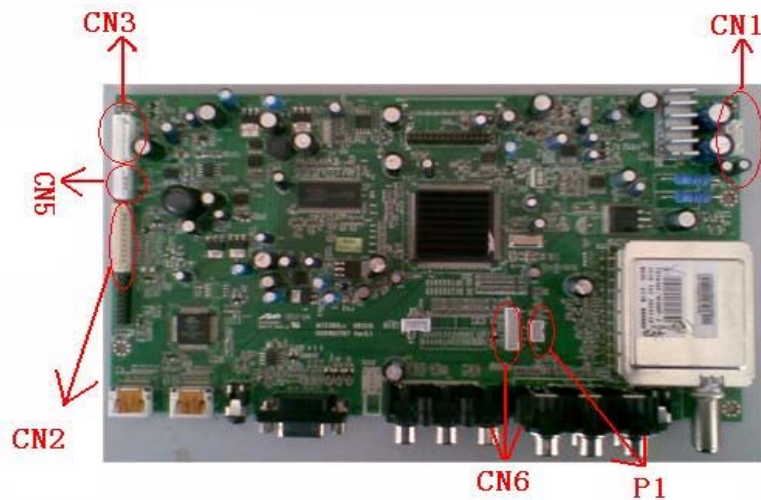
3. LOCATION OF CONTROLS AND COMPONENTS

3-1 Board Location



No.	Parts number	Description
A Board		Main Board
B Board		Power Board

3-2 Main Board & AV Board



3-2-1 Function Description:

Main Board:

Process signal which incept from exterior equipment, then translate into signal that panel can display.

3-2-2 Connector definition

Main board connector

Power connectors (CN3, CN5)

CN3	CN5
-----	-----

Pin number	Signal name	Pin number	Signal name
1	+12V	1	+12V
2	+12V	2	GND
3	BL	3	GND
4	DIM	4	+5V
5	GND	5	STB
6	GND		
7	SW		

Notes:

CN3-Pin 3: Backlight on/off:

The system can turn on or turn off the backlight of TFT LCD Panel through the power supply unit path.

CN3-Pin 7: System power on / standby

System board will use this pin to control system power.

CN3-Pin 4: Control the luminance of backlight

The system can generate the PWN signal to control the strength of TFT LCD Panel's backlight through this connector.

Keypad and remote connector (CN2)

Pin number	Signal name	Description
1	IR_IN	IR
2	CPU5V	5V
3	LED_G	LAMP GREEN
4	GND	GND
5	LED_R	LAMPRED
6	K7	POWER
7	K6	MENU
8	K5	P_
9	K4	P+
10	K3	V_
11	K2	V+
12	K1	SOURCE

Speaker connector (CN1)

Pin number	Signal name	Description
1	LSPK	LSPK
2	GND	GND
3	GND	GND
4	RSPK	RSPK

DVD VIDEO Connector: CN6

Pin number	Signal name	Description
------------	-------------	-------------

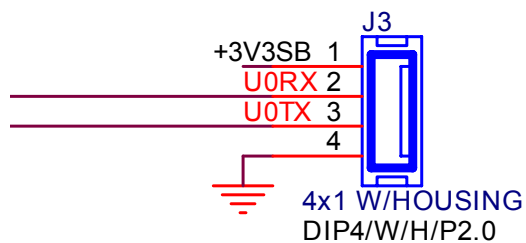
1	GPIO	GPIO
2	PB_IN	PB1 IN
3	Y_IN	Y1_IN
4	GND	GND
5	PR_IN	PR1 IN
6	GND	GND
7	IR	DVD IR

DVD AUDIO Connector: P1

Pin number	Signal name	Description
1	LI	YPBPR1L_IN
2	RI	YPBPR1R_IN
3	GND	GND

Other connectors:

CN19 to Upgrade the program of MTK5380LC (U13) AND FLASH (U17)



3-3. Power Board



3-3-1 Function Description:

Supply power for Main board, Panel.

3-3-2 Connector definition

INPUT CONNECTOR (CN6)

CN10	Signal name
------	-------------

1	N
2	GND
3	GND
4	DIM
5	EN
6	+12V
7	+12V

3-4. LCD Panel



⌀ (V16B-101)

3-4-1 Function Description: Display the signal.

3-4-2 Connector definition

Pin number	Signal name	Description
1-3	LVDSVDD	Power for panel
4-6	GND	Ground
7	A0N	LVDS EVEN 0 - Signal
8	A0P	LVDS EVEN 0 + Signal
9	A1N	LVDS EVEN 1 - Signal
10	A1P	LVDS EVEN 1 + Signal
11	A2N	LVDS EVEN 2 - Signal
12	A2P	LVDS EVEN 2 + Signal
13,14	GND	Ground
15	CK1N	LVDS EVEN Clock - Signal
16	CK1P	LVDS EVEN Clock + Signal
17	A3N	LVDS EVEN 3 - Signal
18	A3P	LVDS EVEN 3 + Signal
19	A4N	LVDS ODD 0 - Signal
20	A4P	LVDS ODD 0 + Signal
21	A5N	LVDS ODD 1 - Signal

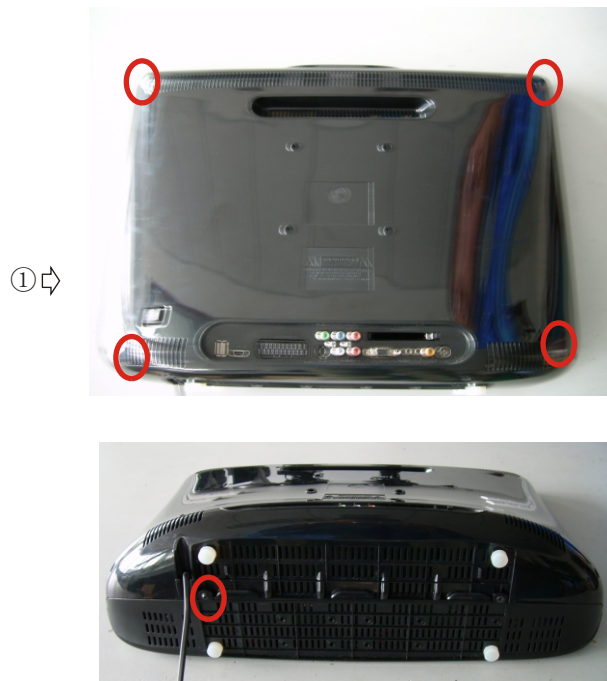
22	A5P	LVDS ODD 1 + Signal
23	A6N	LVDS ODD 2 - Signal
24	A6P	LVDS ODD 2 + Signal
25,26	GND	Ground
27	CK2N	LVDS ODD Clock - Signal
28	CK2P	LVDS ODD Clock + Signal
29	A7N	LVDS ODD 3 - Signal
30	A7P	LVDS ODD 3+ Signal

CN1 (Header):S14B-PH-SM4-TB (D)(LF)(JST) or equivalent.

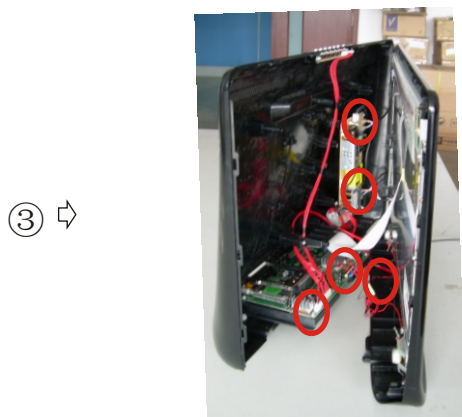
Pin No.	Symnbol	Description
1	VBL	+5.0V Power input
2		
3		
4	GND	Ground
5		
6		
13		
14		
25		
26	LVDS EVEN	LVDS EVEN Signal
7-12		
15		
16		
17	LVDS ODD	LVDS ODD Signal
18		
19-24		
27		
28		
29		
30		

4. Disassemble and assemble

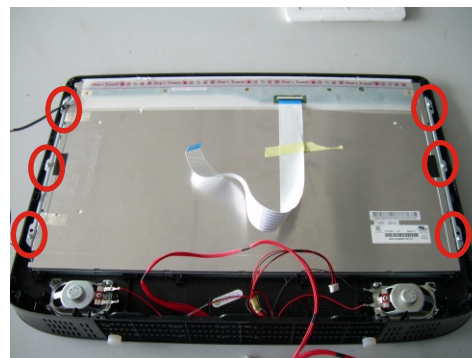
4 . 1 Remove the Front Cover



- ① Remove the six screw indicated with ○.
- ②. Stand up the TV, open the TV from the bottom.
- ③ Remove pin indicated with ○.
- ④ Then remove the front cover from the unit.

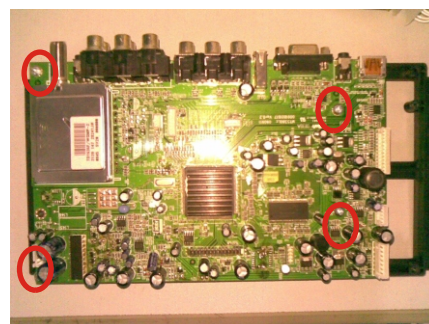
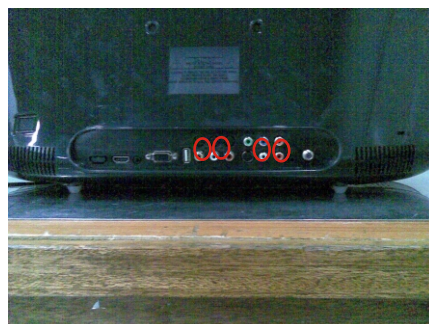


4 . 2 Remove the LCD panel



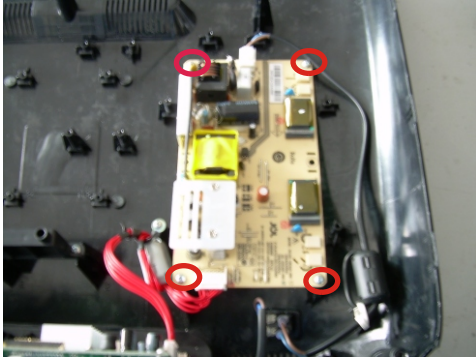
- ① Remove the four screw indicated with ○.
- ②. Then remove the panel.

4 . 3 Remove the Main Board



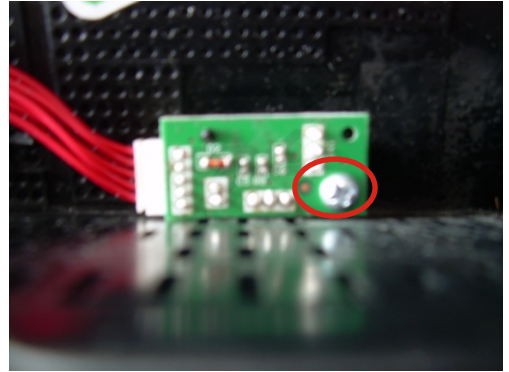
- ① Remove the four screw indicated with ○.
- ② Remove the four screw indicated with ○.
- ③ Then remove the Main Board.

4 . 5 Remove the Power Board



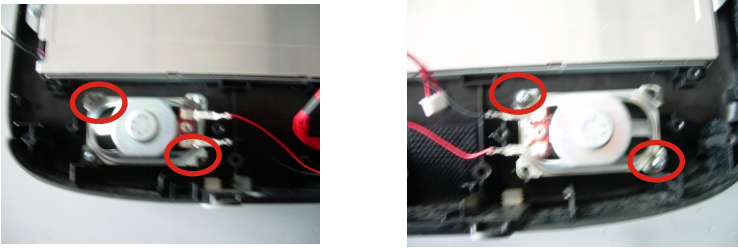
- ① Remove the four screws indicated with ○.
- ② Then remove the Power Board.

4 . 8 Remove the Remote Control Board



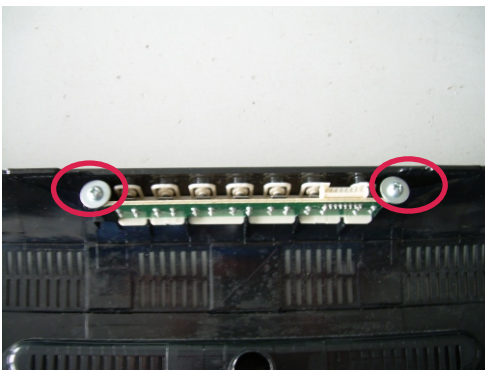
- ① Remove the one screw indicated with ○.
- ② Then remove the Remote Control Board.

4 . 6 Remove the Speaker



- ① Remove the four screws indicated with ○.
- ② Then remove the Speaker.

4 . 7 Remove the Keypad Assembly



- ① Remove the two screws indicated with ○.
- ② Then remove the Keypad Assembly.

5. Installation Instructions

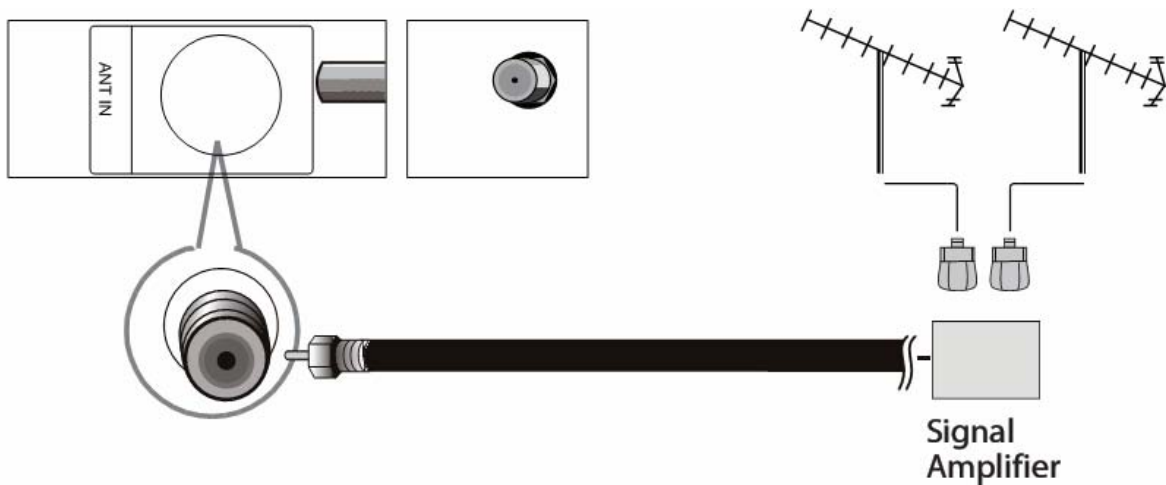
5-1 External Equipment Connections

Antenna Connection

Connect one end of a coaxial cable (not included) to the ANT IN jack on the back of your TV/DVD combo, then connect the other end of the cable into the antenna or cable TV wall outlet.



To improve picture quality from an antenna in a poor signal area, install a signal amplifier.



If you need to split the antenna signal to connect two TVs, install a two-way splitter.

Choose Your Connection

There are several ways to connect your television, depending on the components you want to connect

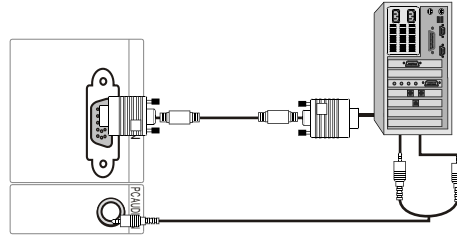
and the quality of the signal you want to achieve. The following are examples of some different ways to connect your TV with different input sources. Choose the connection which is best for you.

VGA Setup

You can use your LCD-TV as a monitor for your personal computer using a VGA cable (not supplied).

Connection and use steps:

1. Read the user guide supplied with your computer and ensure that it has a VGA connector;
2. Make sure that the power of the LCD-TV and the PC are off;
3. Connect a D type 15-pin PC interface cable (not supplied) to the PC video interface connector on the PC. Then connect the other end to the PC video interface connector on the back of the LCD-TV. Tighten the screws on the PC connectors once they are firmly connected;
4. Turn on the power of the LCD-TV first, and then turn on the power of the PC;
5. Press **INPUT** button to set the video input mode of the LCD-TV to PC; Once the input for PC is selected and if you see no image press function F8 on your pc.
6. Check the image on your TV. There may be noise associated with the resolution, vertical pattern, contrast or brightness in PC mode. If noise is present, change the PC mode to another resolution, change the refresh rate to another rate or adjust the brightness and contrast on the menu until the picture is clear. If the refresh rate of the PC graphic card can not be changed, change the PC graphic card or consult the manufacturer of the PC graphic card.



Resolution

Mode	Resolution	Line frequency(KHz)	Frame frequency(Hz)
VGA	640x480	31.5	60
SVGA	800x600	37.9	60
XGA	1024x768	48.4	60

Note: All above listed are subject to VESA criteria.

Component Setup

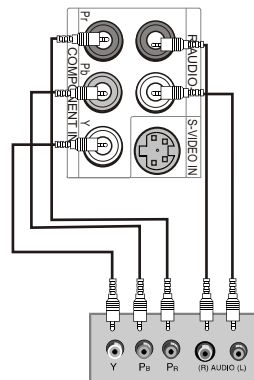
How to connect

Connect the DVD video outputs (Y, PB, PR) to the Component (Y, Pb, Pr) IN jacks on the TV and connect the DVD audio outputs to the AUDIO IN jacks on the TV, as shown in the figure.

NOTE: If your DVD player does not have component video output, use S-Video.

How to use

1. Turn on the DVD player, insert a DVD.
2. Use **INPUT** button on the remote control to select the proper input.



Cable TV Setup

After subscribing to a cable TV service from a local provider you can watch cable TV programming unless a TV tuner device or cable TV converter box is connected to the TV.

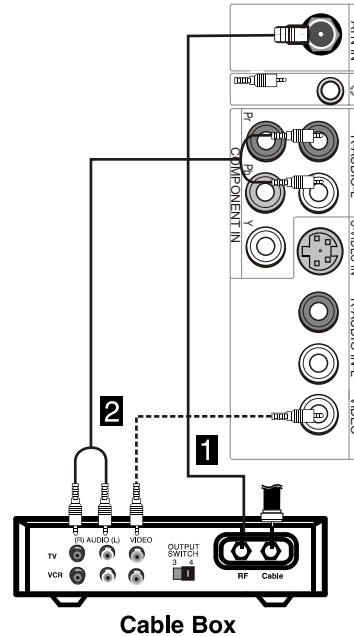
For further information regarding cable TV service, contact your local cable TV service provider(s).

Connection Option 1

1. Select 3 or 4 with channel switch on cable box.
2. Tune the TV channel to the same selected output channel on cable box.
3. Select channels at the cable box or with the cable box remote control.

Connection Option 2

1. Connect the audio and video cables from the Cable Box's output jacks to the TV input jacks, as shown in the figure. When connecting the TV to a Cable Box, match the jack colors (Video = yellow, Audio Left = white, and Audio Right = red).
2. Select the input source by using the **INPUT** button on the remote control.
3. Select your desired channel with the remote control for cable box.



External Component Source Setup

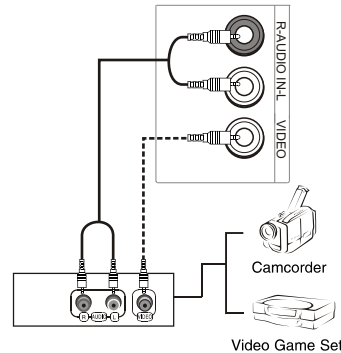
How to connect

Connect the audio and video cables from the external equipment's output jacks to the TV input jacks, as shown in the figure.

When connecting the TV to external equipment, match the jack colors (Video = yellow, Audio Left = white, and Audio Right = red).

How to use

1. Select the input source by using the **INPUT** button on the remote control.
2. Operate the corresponding external equipment. Refer to external equipment operating guide.



5-2 HDMI Connections

When the source device(DVD player or Set Top Box) supports HDM

How To Connect

1. Connect the source device to HDMI port of this TV with an HDMI cable(not supplied with this product).
2. No separated audio connection is necessary.

How To Use

If the source device supports Auto HDMI function, the output resolution of the source device will be automatically set to 1280x720p.

If the source device does not support Auto HDMI, you need to set the output resolution appropriately.

To get the best picture quality, adjust the output resolution of the source device to 1280x720p. Select HDMI input source in input source option of Select Main source menu.

When the source device(DVD player or Set Top Box) supports DVI

How To Connect

1. Connect the source device to HDMI port of this TV with a HDMI-to-DVI cable(not supplied with this product).
2. A separated audio connection is necessary.
3. If the source device has an analog audio output connector, connect the source device audio output to DVI Audio

In port located on the left side of HDMI port.

How To Use

If the source device supports Auto DVI function, the output resolution of the source device will be automatically set to 1280x720p.

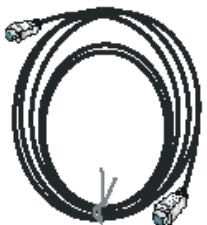
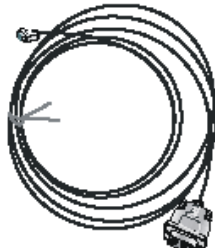
If the source device does not support Auto DVI, you need to set the output resolution appropriately.

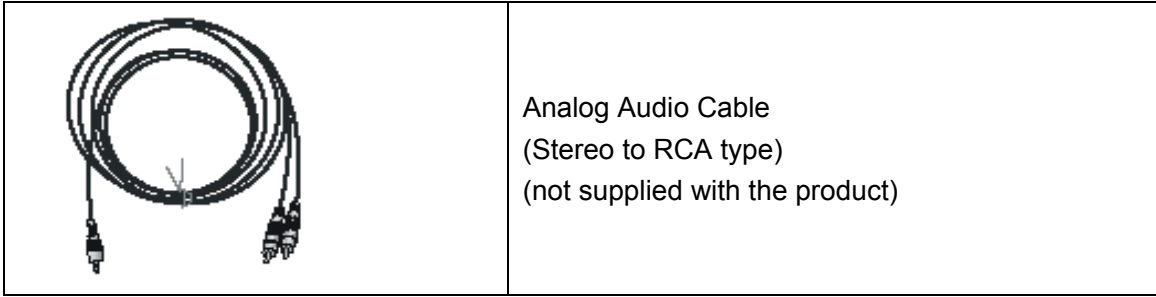
To get the best picture quality, adjust the output resolution of the source device to 1280x720p.

Press the INPUT button to select HDMI input source in input source option of Select Main source menu.

Installation

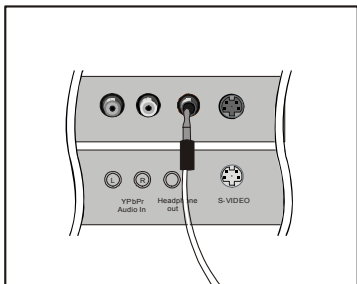
Cable sample

	HDMI Cable (not supplied with the product)
	HDMI to DVI Cable (not supplied with the product)



Connecting Headphones

You can connect a set of headphones to your set if you wish to watch a TV programmer without disturbing the other people in the room.

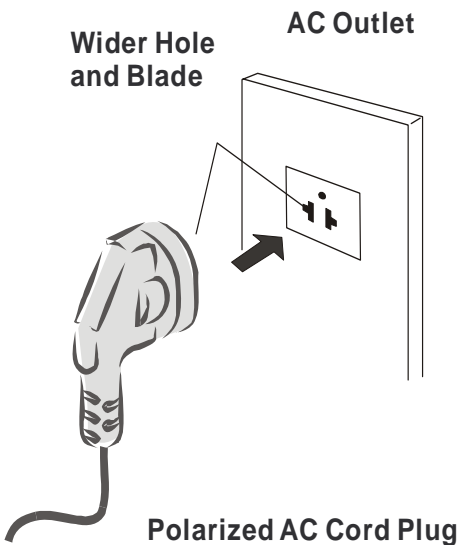


Plug a set of headphones into the 3.5mm mini-jack socket on the rear panel of the set.

Note:

- Prolonged use of headphones at a high volume may damage your hearing.
- You will not receive sound from the speakers when you connect headphones to the system.

Power source



TO USE AC POWER SOURCE

Use the AC polarized line cord provided for operation on AC. Insert the AC cord plug into a standard polarized AC outlet.

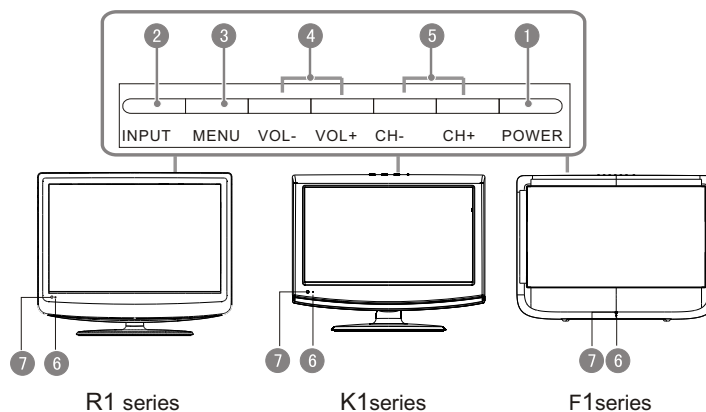
NOTES:

- Never connect the AC line cord plug to other than the specified voltage. Use the attached power cord only.
- If the polarized AC cord does not fit into a non-polarized AC outlet, do not attempt to file or cut the blade. It is the user's responsibility to have an electrician replace the obsolete outlet.
- If you cause a static discharge when touching the unit and the unit fails to function, simply unplug the unit from the AC outlet and plug it back in. The unit should return to normal operation.

6. Operation Instructions

Basal information

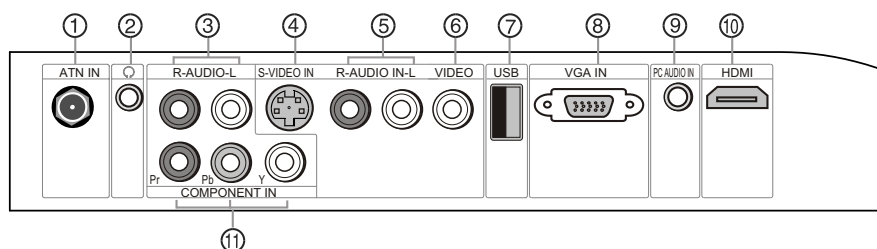
6-1 Front panel controls



Control Panel Function

- 1. POWER** Press to turn on and off the TV.
- 2. INPUT** Selects the input signals.
- 3. MENU** Menu display. Press to access the on-screen menu display.
- 4. VOL-** Volume down / Left button to adjust the item in the OSD.
VOL+ Volume up/ Right button to adjust the item in the OSD /Press to enter.
- 5. CH-** TV channel down / to select the item in the menu.
CH+ TV channel up / to select the item in the menu.
- 6. Power indicator**
- 7. Remote Sensor** Receivers IR signals from the remote control. Do not put anything near the sensor ,which may block the remote control signal.

6-2 Back panel controls



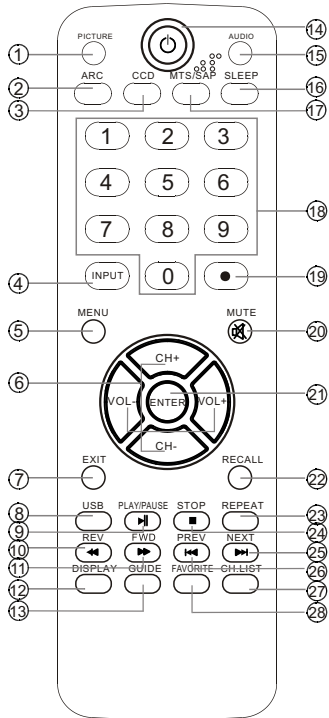
- 1. ANT IN(Antenna Input)** Connect cable or antenna signals to the TV, either directly or through your cable box.
- 2. Headphone jack :** Headphone audio output terminal.
- 3. Audio in** Connect audio output from an external device to these jacks.
- 4. S-VIDEO** Connect S-Video out from an S-Video device to the jacks.
- 5. Audio in** Connect audio output from an external device to these jacks.
- 6. Video in** Connect video output from an external device to this jack.
- 7. USB input** Connect a USB flash drive to view JPEG images or listen to MP3 songs.
- 8. VGA** Connect to the VGA 15PIN analog output connector of a PC graphics card to use set as a PC display.
- 9. PC audio in** Connect the audio output from the pc to the PC audio input port.
- 10. HDMI:** Connect a HDMI device to receive digital audio and uncompressed digital video.
- 11. Component Input** Connect a component video device to these jacks.

6-3 Setting Up Your Remote Control

After it has been set up properly, your remote control can operate in six different modes: TV, VCR, CABLE, DVD, SETBOX or AUDIO. Pressing the corresponding button on the remote control

Remote Control Key Functions

When using the remote control, aim it towards the remote sensor on the TV



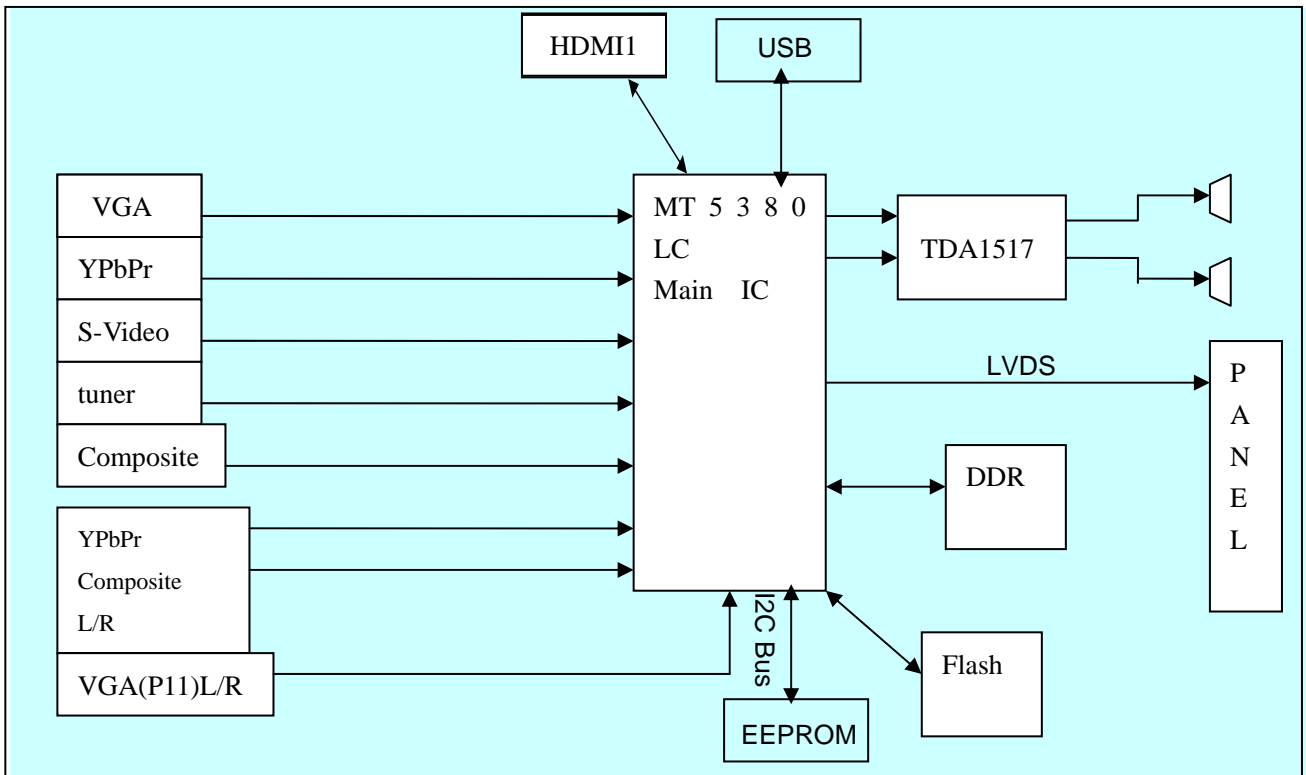
(For TV without DVD)

1. Press repeatedly to cycle through the available picture modes
2. Press to change the aspect ratio
3. Select a closed caption
4. Show the input source
5. Press to open the on-screen menu
6. Volume/Channel Selection
7. Exit On Screen Display
8. Press to switch input source to USB in
9. DVD PLAY/PAUSE
10. DVD fast reverse
11. DVD fast forward
12. Press to display the TV status information on the top of the TV screen
13. Shows program schedule in TV
14. Press to turn on and off the TV
15. Press to cycle through different sound settings
16. Press to display the sleep timer option
17. Select MONO, STEREO, SAP in NTSC system
18. Press to change a channel
19. Press to select digital channels. For example, to enter "54-3", press "54", " " and "3".
20. Switches the video sound on or off
21. Accesses the highlighted item in the on-screen menu
22. Press to jump back and forth between two channels
23. DVD REPEAT
24. DVD STOP
25. DVD Next Chapter
26. DVD Previous Chapter
27. Open the channel list in TV
28. Open the favorite channel list in TV

Note: the instruction on this manual takes remote of TV with DVD for example.

7. Electrical parts

7-1. Block diagram



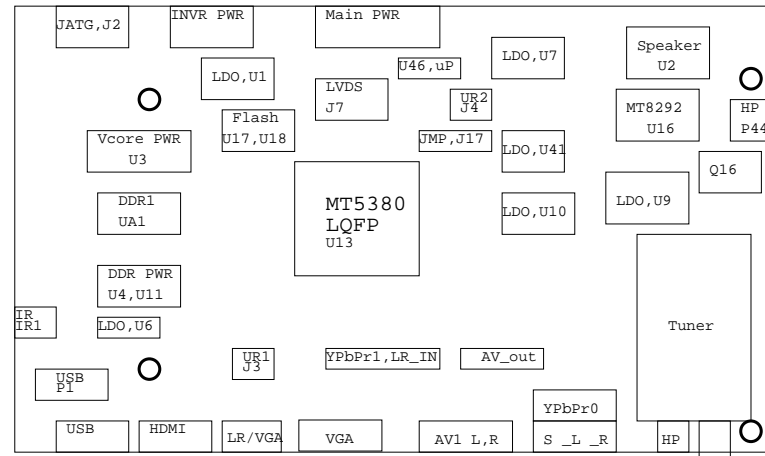
7-2. Circuit Diagram

MT5380 (DDR1) MODEL NAME: MT5380P1-V2

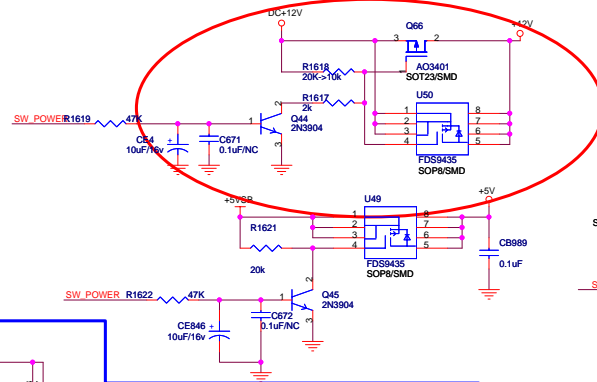
01. INDEX
02. DIGITAL POWER
03. ANALOG POWER
04. PERIPHERAL
05. ANALOG PLL/USB2.0/TUNER
06. DDR1 MEMORY
07. FLASH/JTAG/UART/IR/TRAP
08. HDMI/SPEAKER
09. LVDS/MUTE
10. YPBPR/L/R
11. VGA IN/LR
12. AV IN/LR/CVBSO
13. LINE OUT/HP
14. BACK LIGHT /MAIN POWER

GPIO Definition	
GPIO_0	System EEPROM Write Protect
GPIO_1	Unused
GPIO_3	Unused
GPIO_4	Headphone Detect
GPIO_5	Audio Mute Control
GPIO_6	HDMI EEPROM Write Protect
GPIO_7	HDMI HDP
GPIO_8	Speaker Mute
GPIO_9	LVDS Power Control
GPIO_10	LVDS Panel Control(Reserve)
GPIO_11	LVDS Panel Control(Reserve)
GPIO_12	U2RX
GPIO_13	U2TX
OPCTRL0	CEC Function
OPCTRL1	VGA EEPROM Write Protect
OPCTRL2	Back Light Control
OPCTRL3	Unused
OPCTRL4	Trap
OPCTRL5	Trap
AIN1,2,4	Unused
OPWM0(GPIO 40)	Unused
VCXO(GPIO 67)	Unused

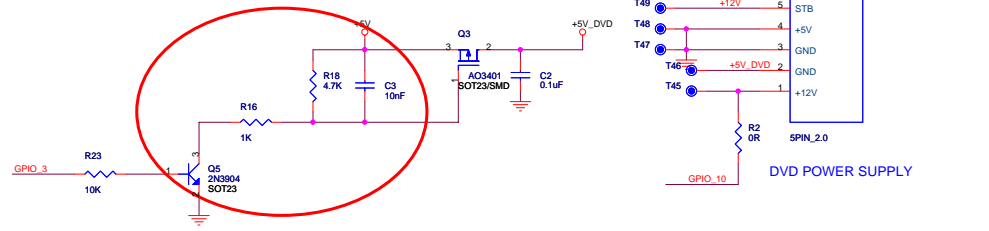
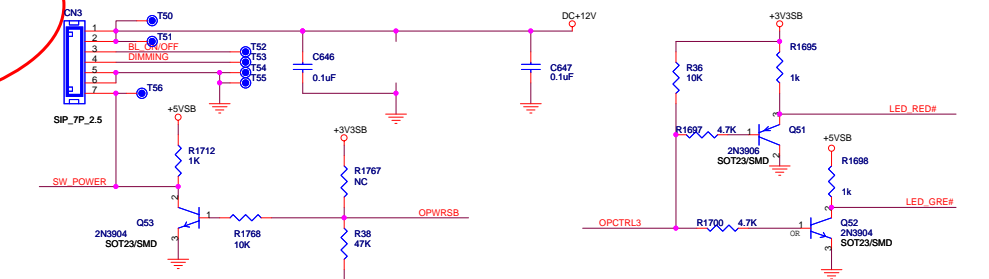
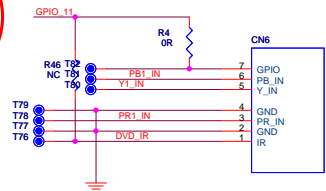
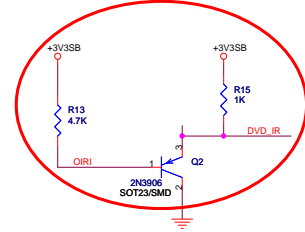
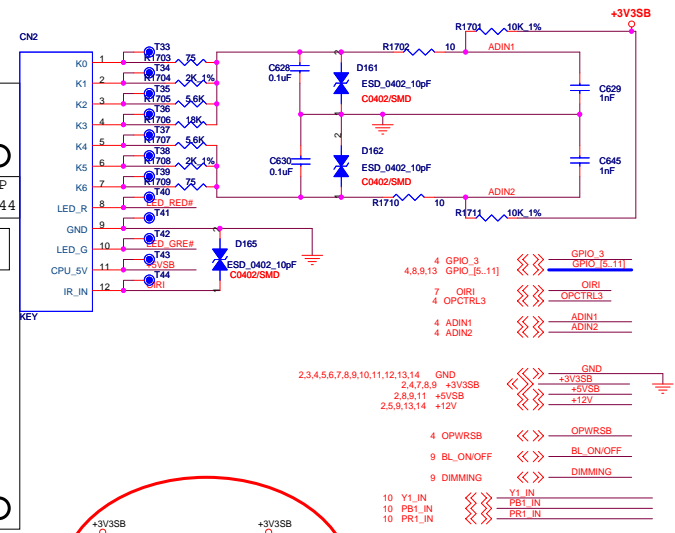
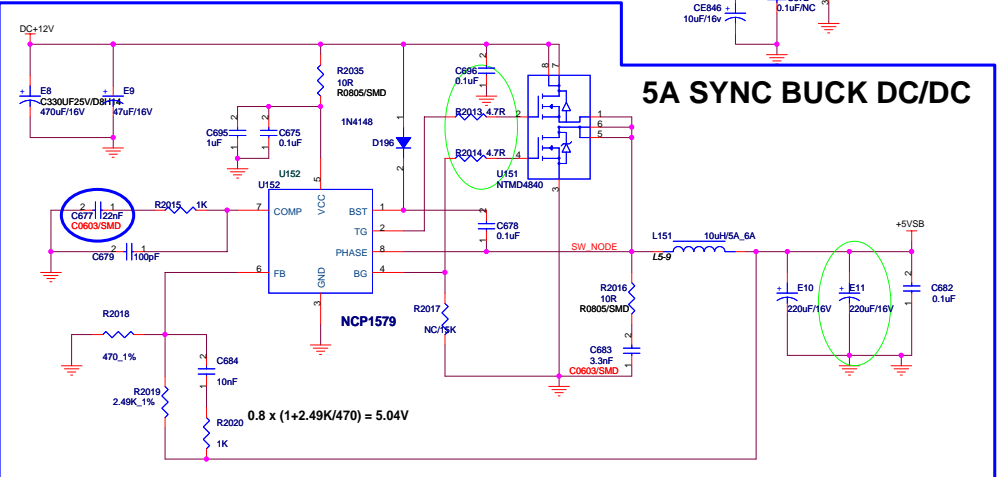
GPIO Definition	
RF_AGC(GPIO 62)	Unused
AIN3_L(GPIO 74)	Unused
AIN3_R(GPIO 75)	Unused

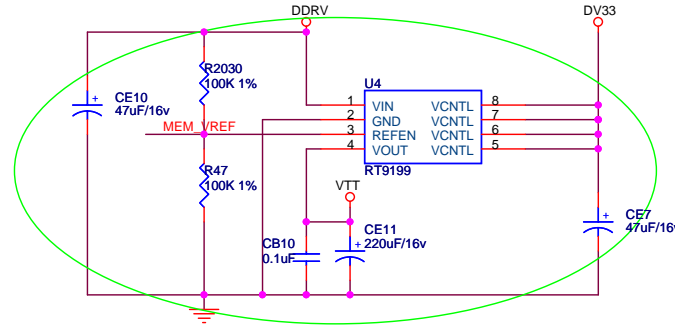
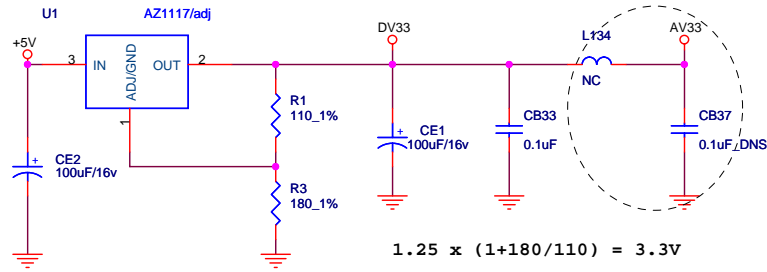


Rev	History	Note	DATE
V1	INITIAL VERSION		2007/04/09
V2	1. Change Vcore Voltage. 2. Add FB for DV33 and AV33 Reserve		2007/06/11
	3. Add R49, R50 for A version IC. 4. Change C20, C21 for crystal capacitors.		2007/06/11
	5. Add DRAM Serial resistors. 6. Add CEC uP. 7. Add U16 MT8292		2007/06/11

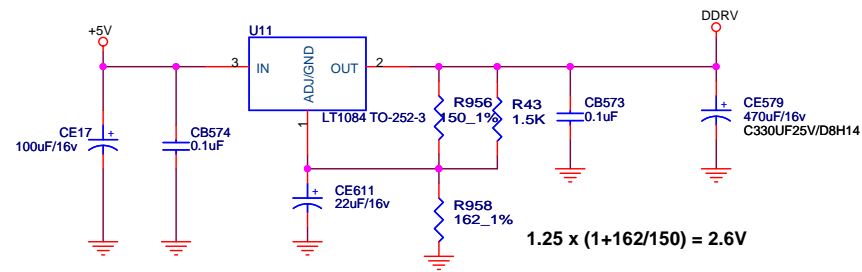
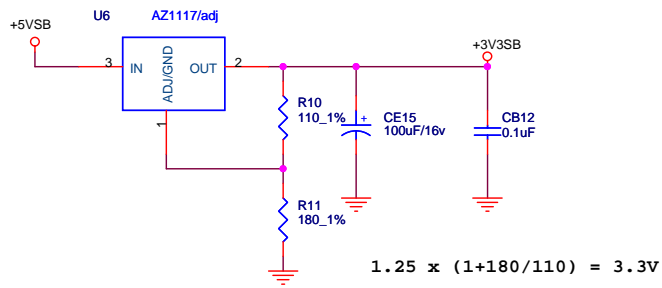
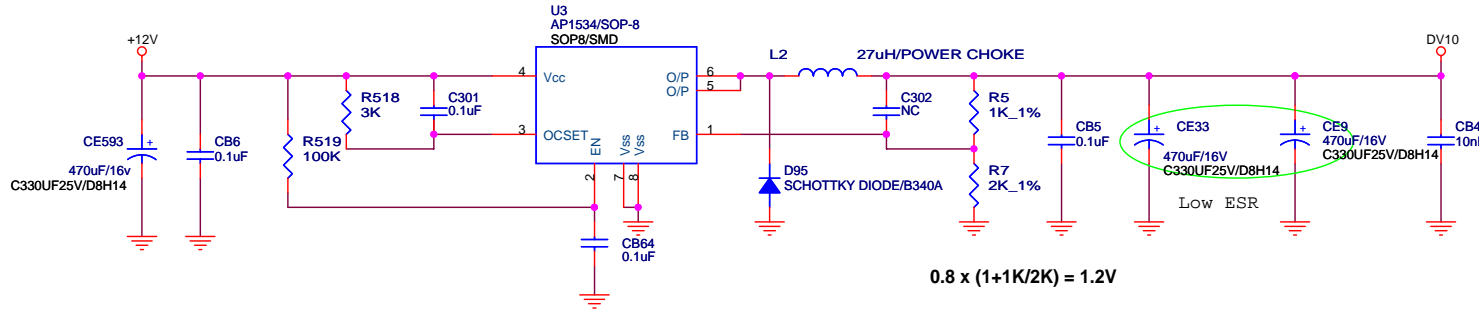


5A SYNC BUCK DC/DC



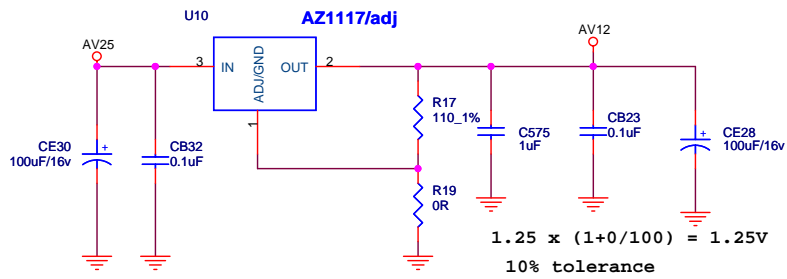
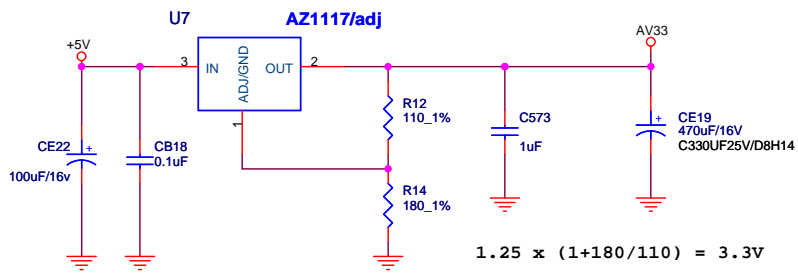


- 1,3,4,5,6,7,8,9,10,11,12,13,14 GND
- 1,8,9,11 +5VSB
- 1,4,7,8,9 +3V3SB
- 7 DV10
- 6 MEM_VREF
- 6 VTT
- 6,7 DDRV
- 3,5,8,9,13 AV33
- 1,5,9,13,14 +12V

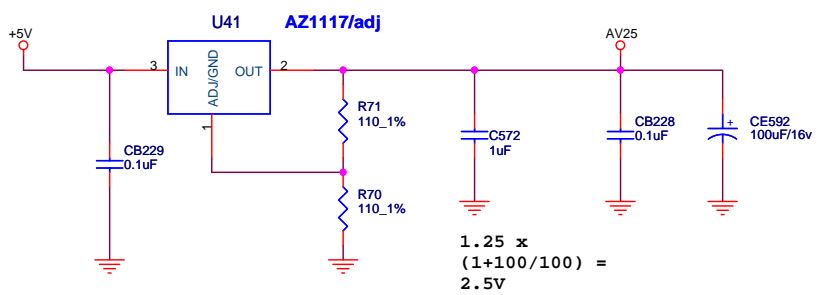


NUSTC_5380P1_V2

	MediaTek Inc.		
	No.1-2, Innovation Rd 1, SBIP, Hsin-Chu City 300 TEL:(03)567-0766 FAX:(03)578-7610		
DIGITAL POWER			
Size	Document Number	Drawn	Rev
B	MT5380P1-V2		V1
Date:	Thursday, December 04, 2008	Sheet	2 of 15

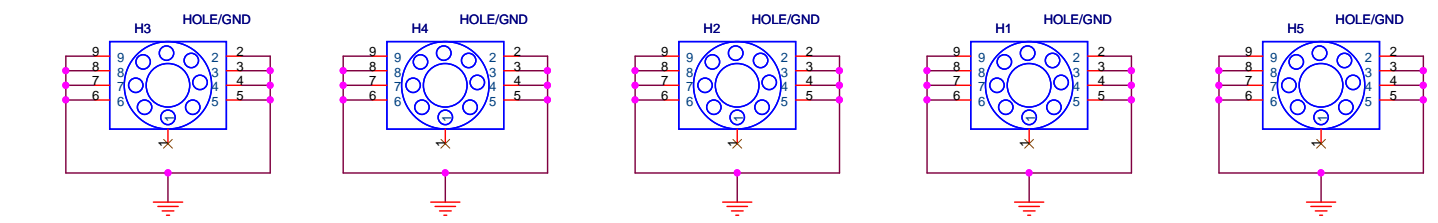
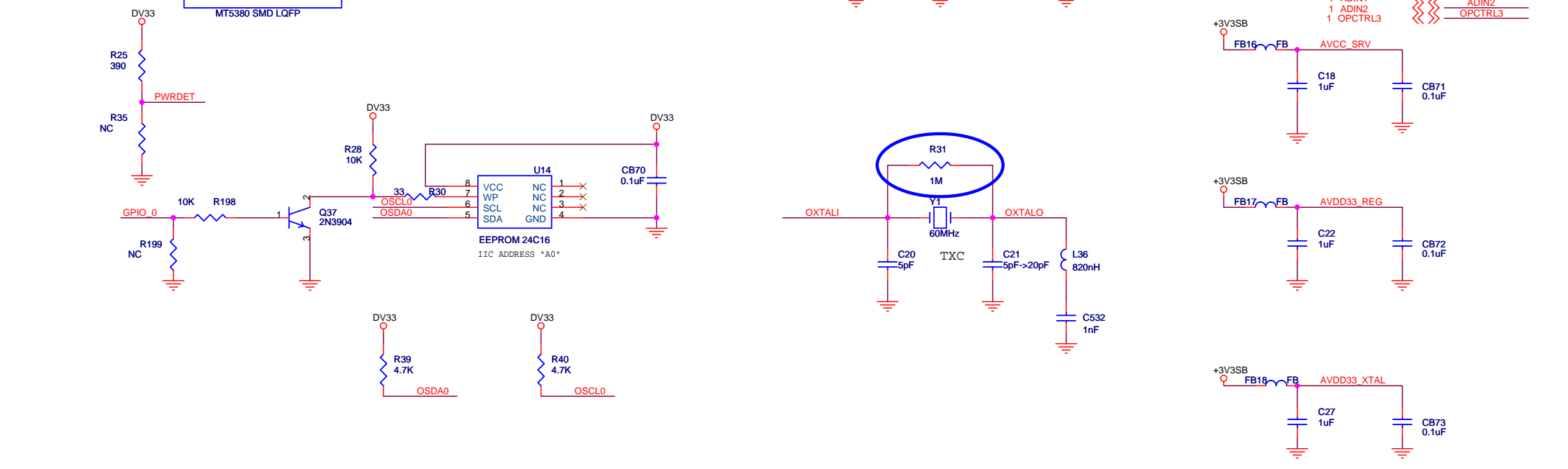
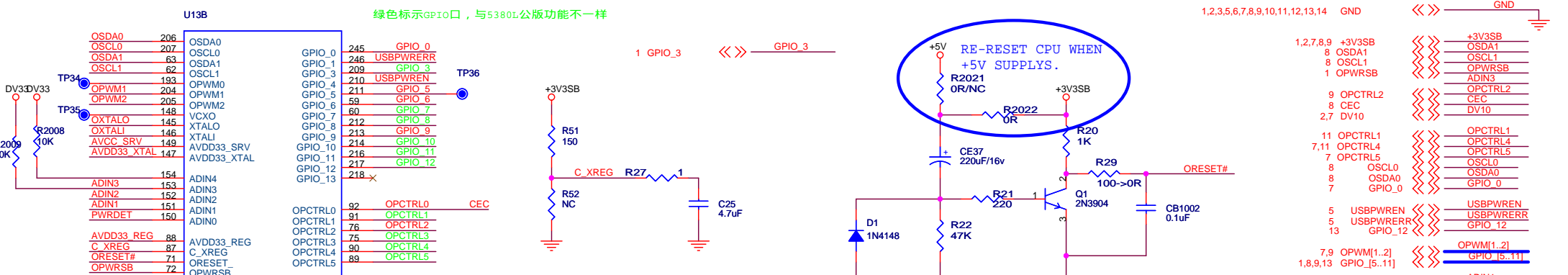


- 1,2,4,5,6,7,8,9,10,11,12,13,14 GND
- 2,5,8,9,13 AV33
- 5,8,10 AV12
- 5,12 AV25
- 1,2,5,9,13,14 +12V



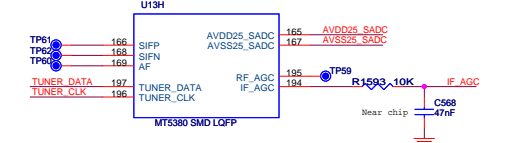
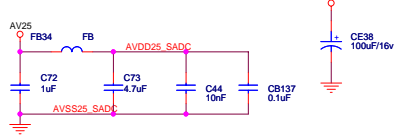
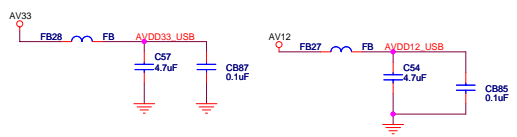
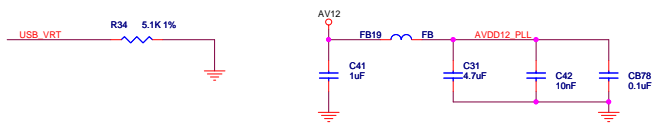
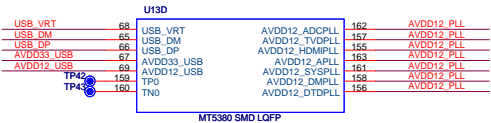
NUSTC_5380P1_V2

	MediaTek Inc.			No.1-2, Innovation Rd 1, SBIP, Hsin-Chu City 300 TEL:(03)567-0766 FAX:(03)578-7610	
	ANALOG POWER				
Size B	Document Number MT5380P1-V2	Drawn	Rev V1		
Date:	Thursday, December 04, 2008		Sheet	3	of 15

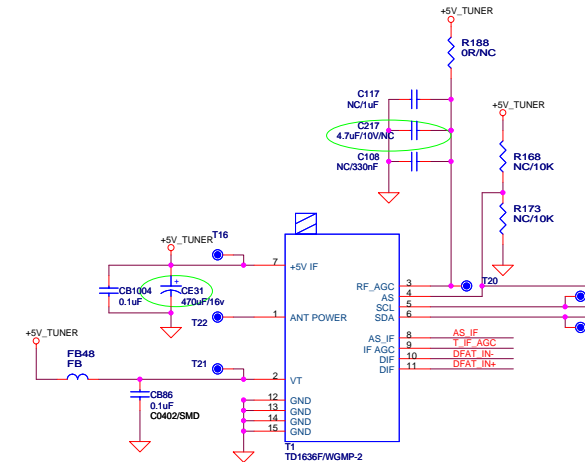
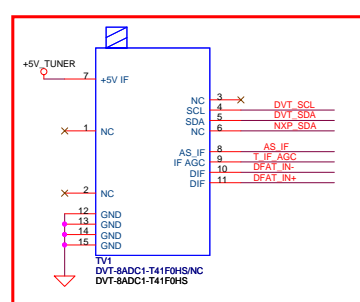
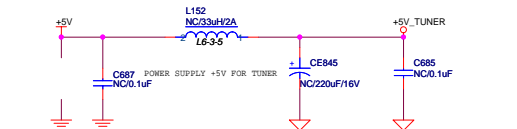


NUSTC_5380P1_V2

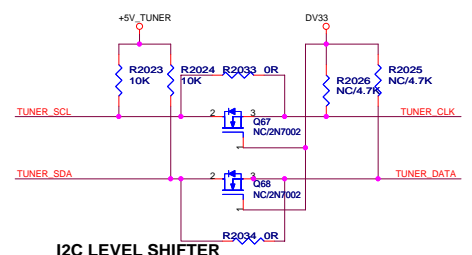
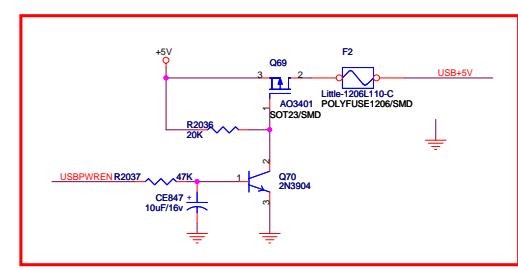
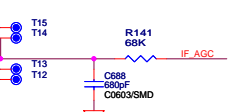
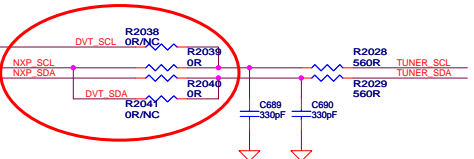
	MediaTek Inc. No.1-2, Innovation Rd 1, SBIP, Hsin-Chu City 300 TEL:(03)561-0766 FAX:(03)578-7610		
	PERIPHERAL		
Size	Document Number	Drawn	Rev
B	MT5380P1-V2		V1
Date:	Friday, December 05, 2008	Sheet	4 of 15



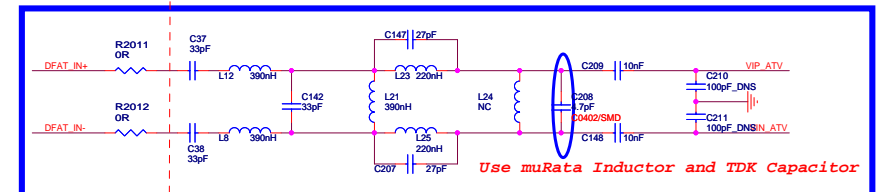
use this POLYSWITCH PTC to avoid over current.
 tyco nanoSMDC110F :
 Ihold=0.8A
 Itrip=1.6A @60°C



DVT AND NXP OPTION.

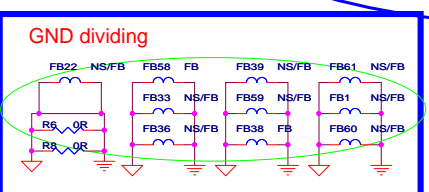
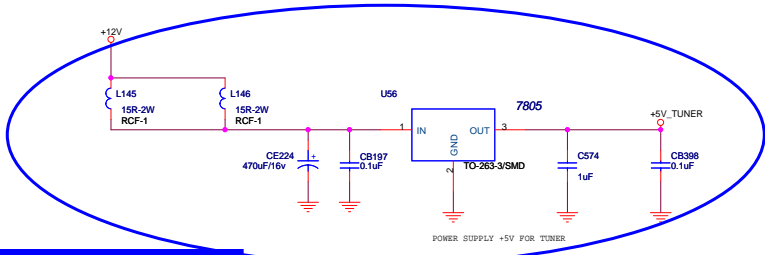


Near Tuner Near MT538X



muRata: LQM18NNR22K00 和 LQM18NNR39K00

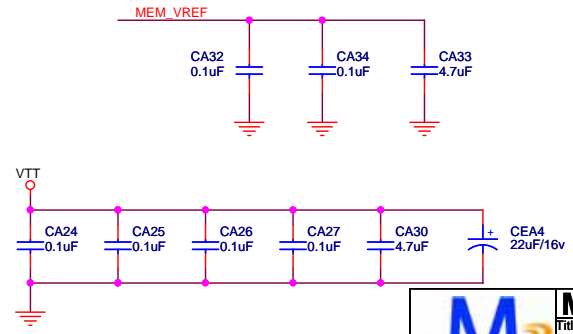
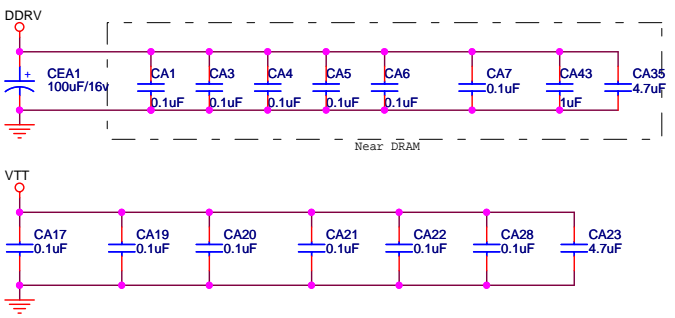
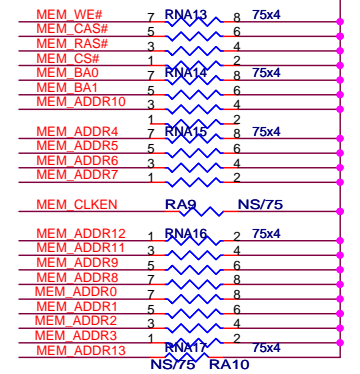
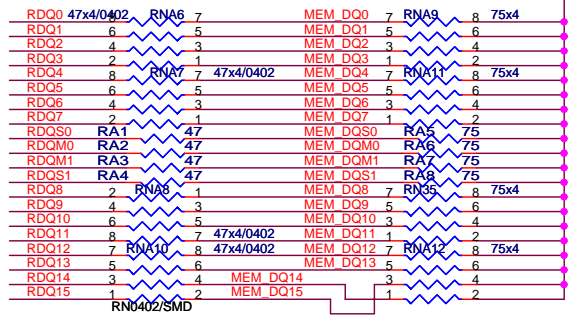
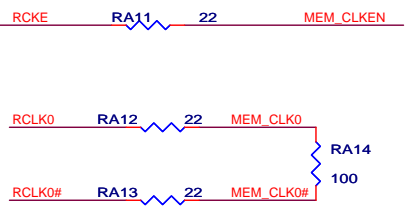
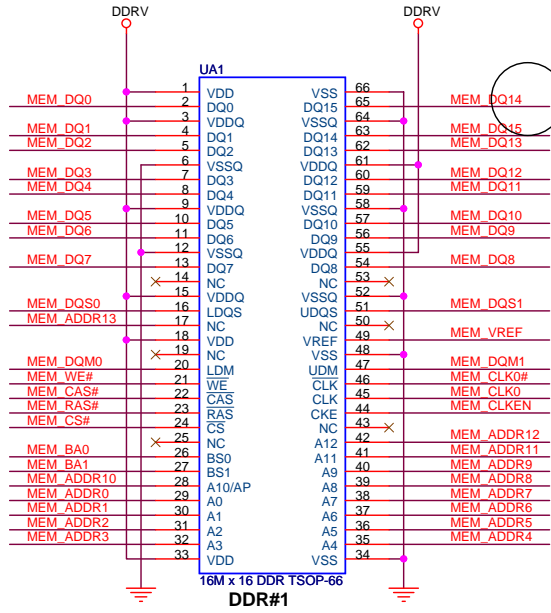
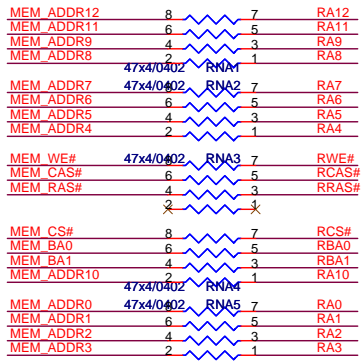
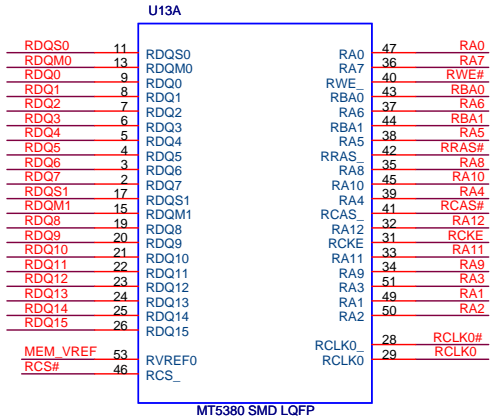
Use muRata Inductor and TDK Capacitor



MediaTek Inc. No.1-2, Innovation Rd 1, S&P, Hsin-Chu City 300
 TEL: (86)887-6288 FAX: (86)887-6210

File NUSTC_5380P1_V2
Document Number MTS380P1-V2
Size C
Date Thursday, December 04, 2008

Drawn V1
Sheet 5 of 15

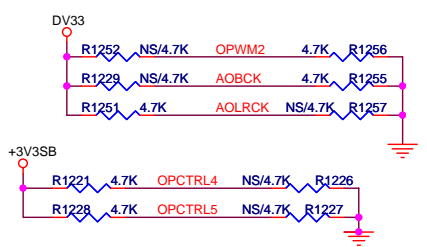
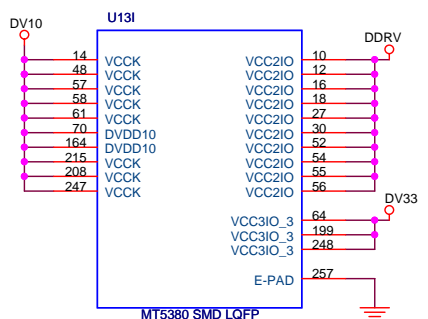
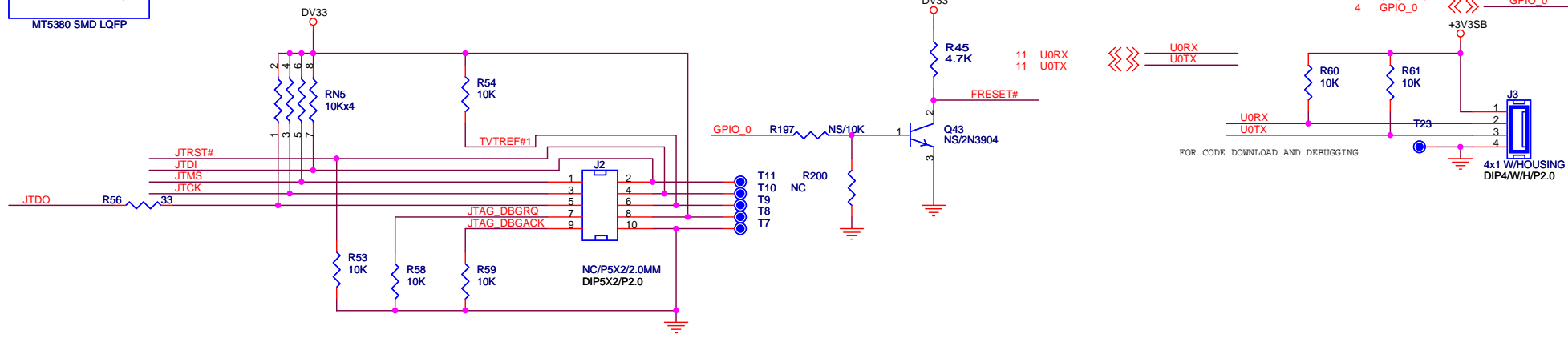
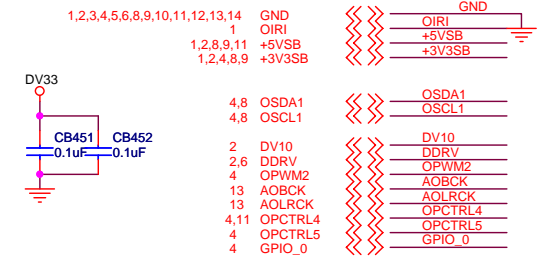
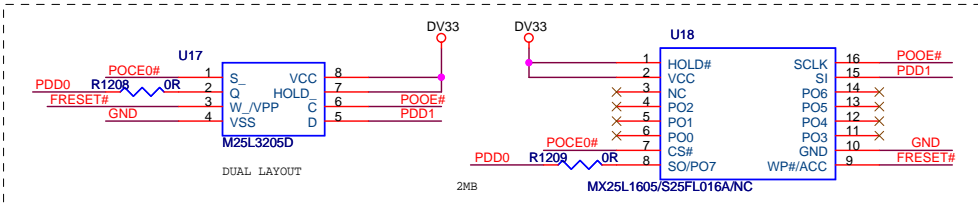
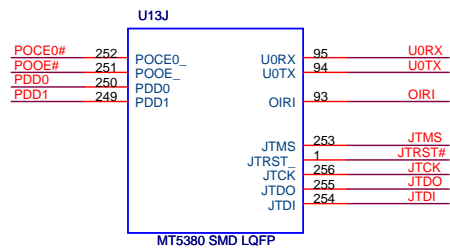


NUSTC_5380P1_V2

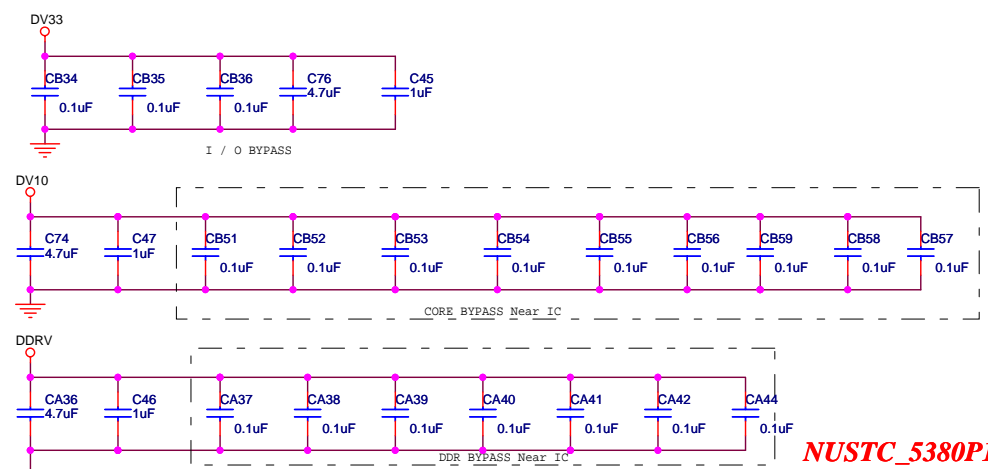
MediaTek Inc. No.1-2, Innovation Rd 1, SBIP, Hsin-Chu City 300
TEL:(03)567-0766 FAX:(03)578-7610

DDR1 MEMORY

Size B	Document Number MT5380P1-V2	Drawn	Rev V1
Date:	Thursday, December 04, 2008	Sheet 6 of 15	



Trap Mode	OPWM2	AOBCK	AOLRCK
Normal mode	0	0	0
ICE mode	0	0	1
Trap Mode	OPCTRL5	OPCTRL4	
Core Reset 1 us	1	1	



NUSTC_5380P1_V2

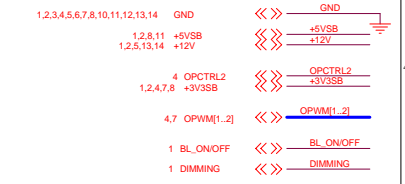
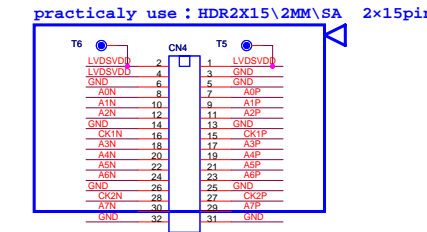
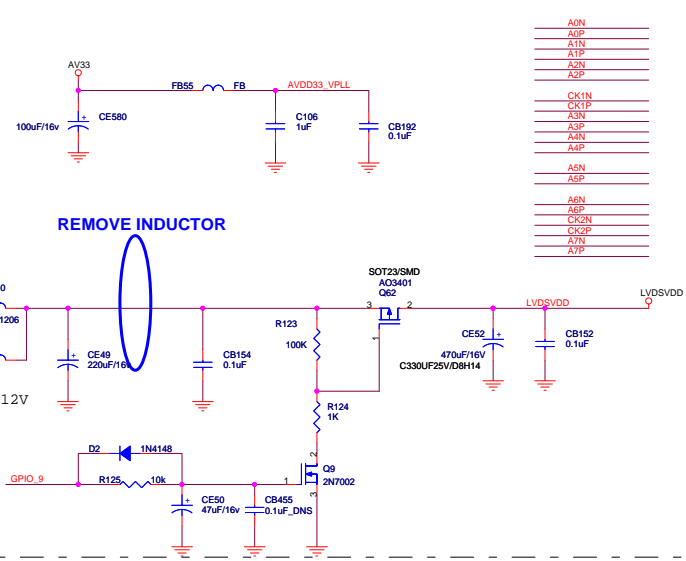


MediaTek Inc. No.1-2, Innovation Rd 1, SBIP, Hsin-Chu City 300
TEL:(03)561-0766 FAX:(03)578-7610

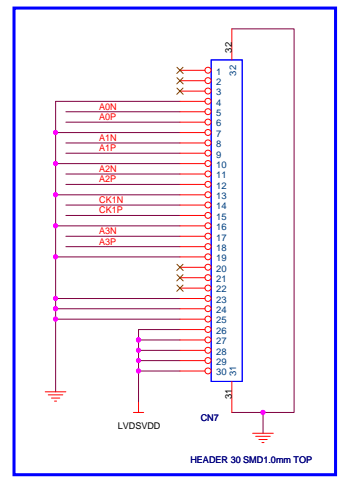
FLASH/JTAG/UART/IR/TRAP

Size B	Document Number MT5380P1-V2	Drawn	Rev V1
Date:	Thursday, December 04, 2008	Sheet	7 of 15

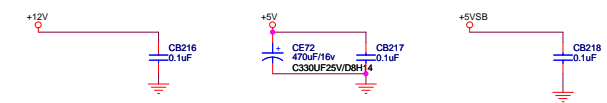
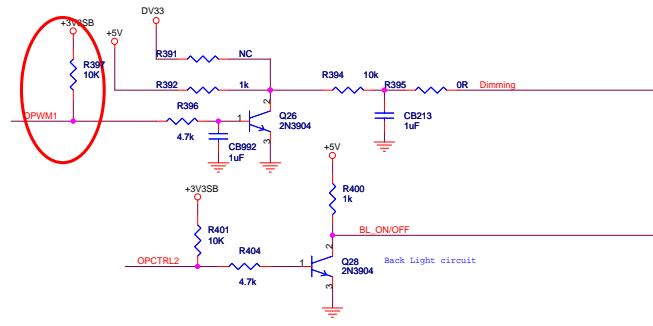
U13C	
A0N	244
A0P	243
A1N	242
A1P	241
A2N	238
A2P	238
CK1N	237
CK1P	236
A3N	235
A3P	234
A4N	233
A4P	232
A5N	230
A5P	229
A6N	228
A6P	227
CK2N	226
CK2P	225
A7N	224
A7P	223



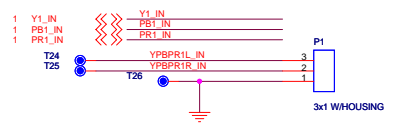
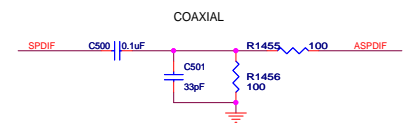
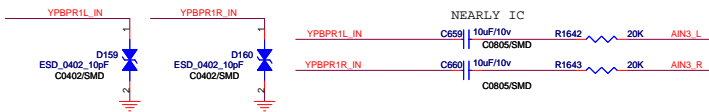
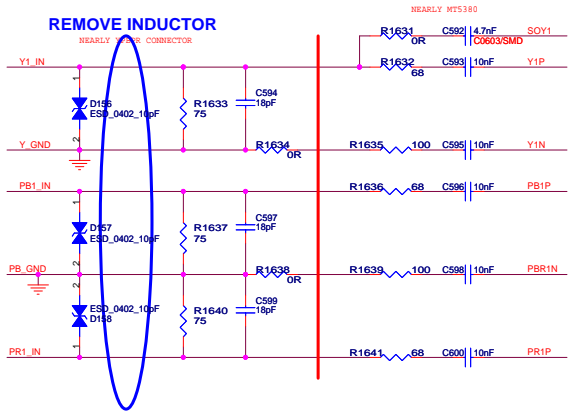
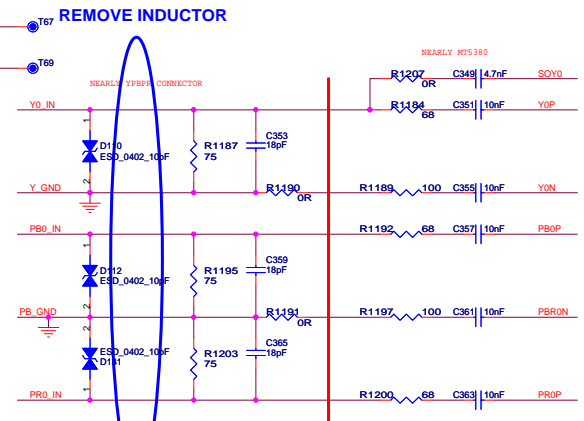
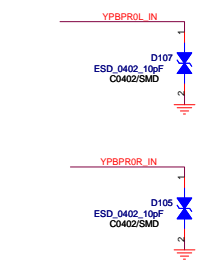
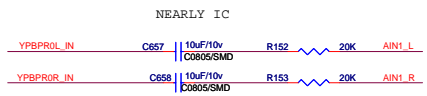
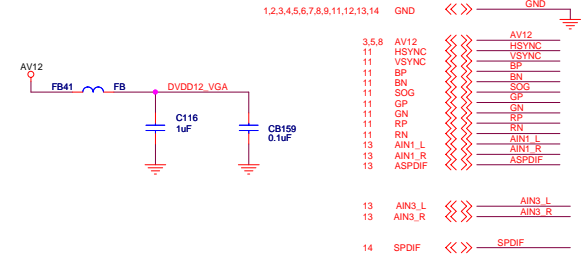
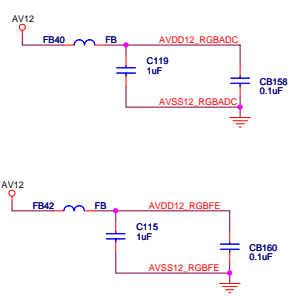
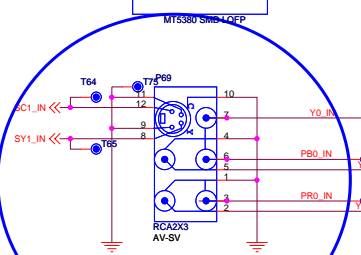
For +5V
For +12V
HI => LVDS POWER ON
LO => LVDS POWER OFF



use for 21.6 inch panel with TCON CMO

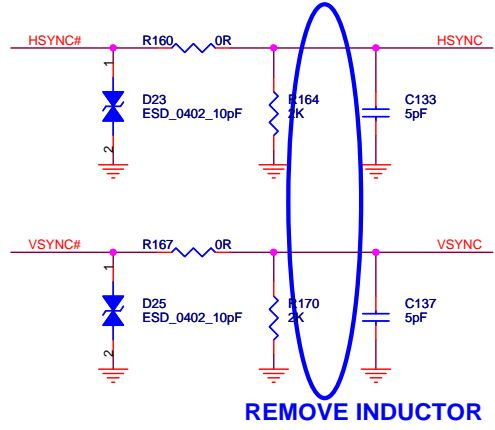
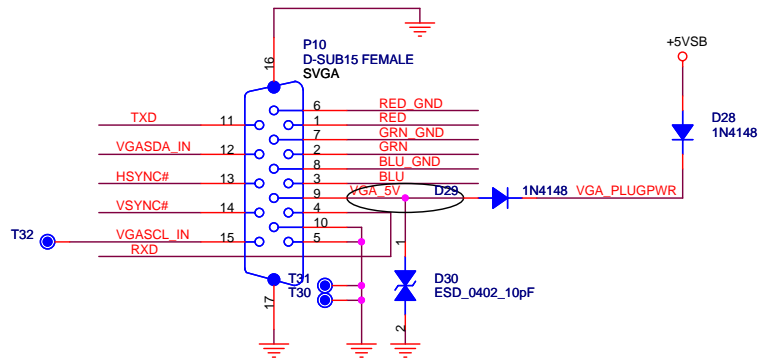


U13E			
SOY0	107	SOY0	DVDD12_VGA
Y0P	108	Y0P	AVSS12_RGBADC
Y0N	109	Y0N	AVDD12_RGBADC
PB0P	114	Y0N	AVDD12_RGBADC
PB0N	115	PB0P	AVSS12_RGBPFE
PR0P	116	PB0N	AVDD12_RGBPFE
SOY1	118	PR0P	RP
Y1P	119	SOY1	RN
Y1N	120	Y1P	BP
PB1P	121	Y1N	BN
PB1N	122	PB1P	GP
PR1P	123	PB1N	GN
TP47	112	PR1P	GN
TP48	111	TP47	VSYNC
TP1	111	TP48	HSYNC
		TP1	SOG

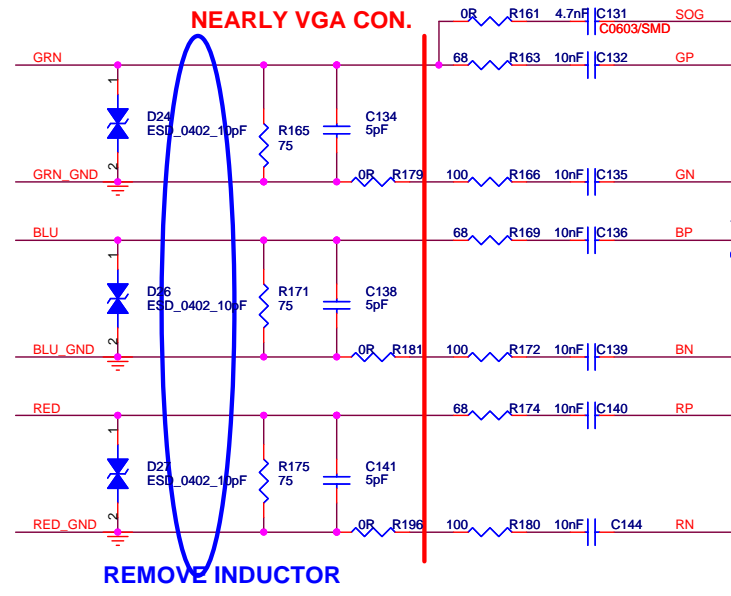
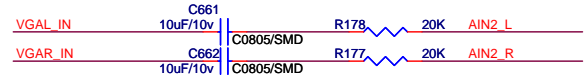


NUSTC_5380P1_V2

	MediaTek Inc.		
	No.1-2, Innovation Rd 1, S&IP, Hsin-Chu City 300 TEL: (86)887-6788 FAX: (86)887-6610		
File	YpPr/LR		
Size	Document Number	Drawn	Rev
C	MT5380P1-V2		V1
Date:	Thursday, December 04, 2008	Sheet	10 of 15

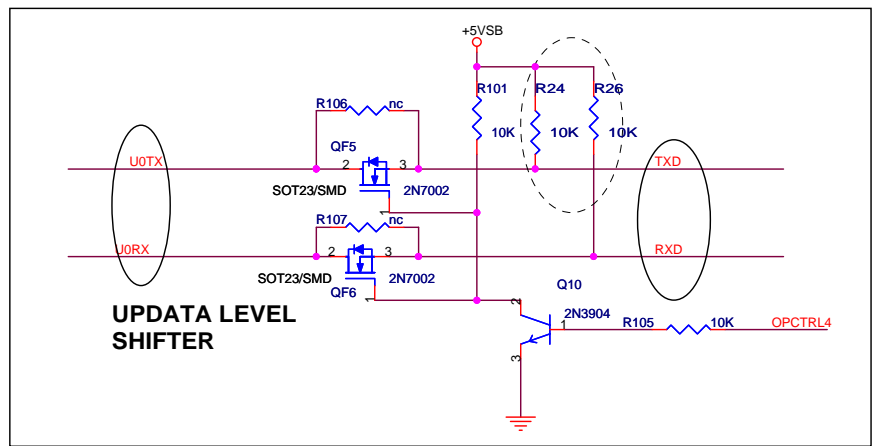
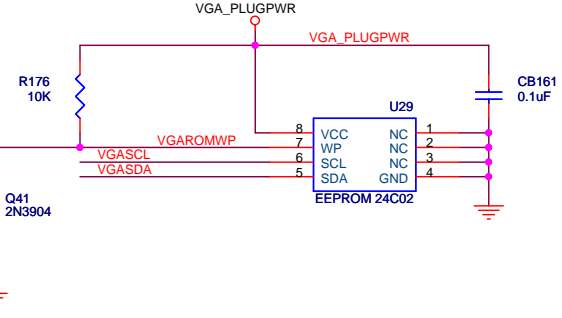
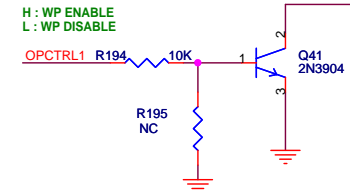
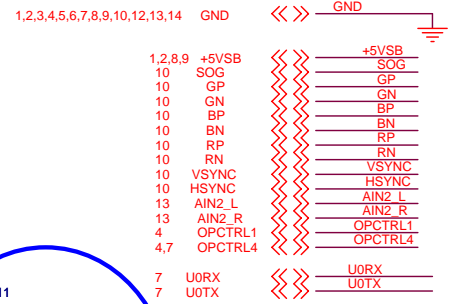
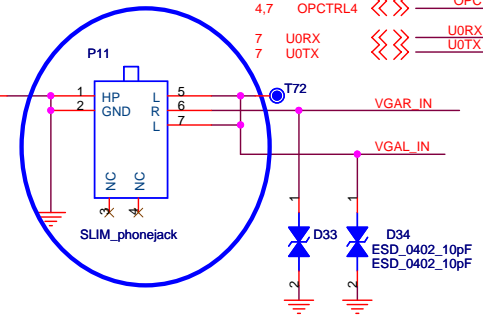


REMOVE INDUCTOR

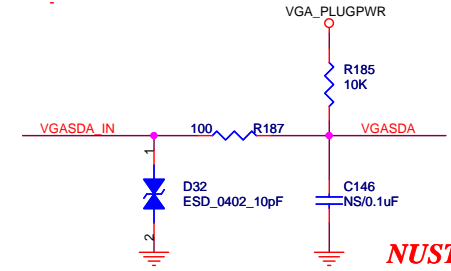
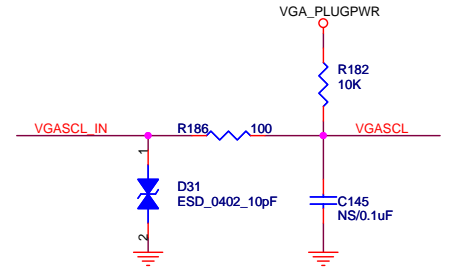


REMOVE INDUCTOR

NEARLY IC

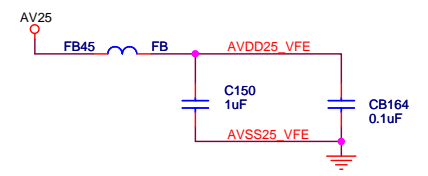
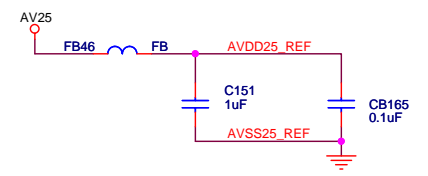
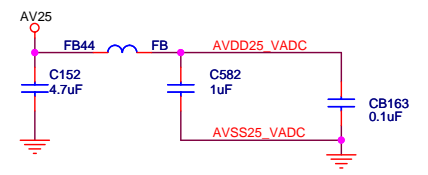
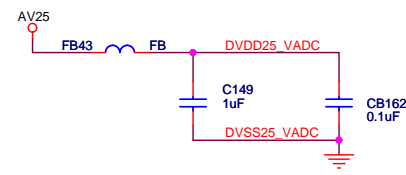
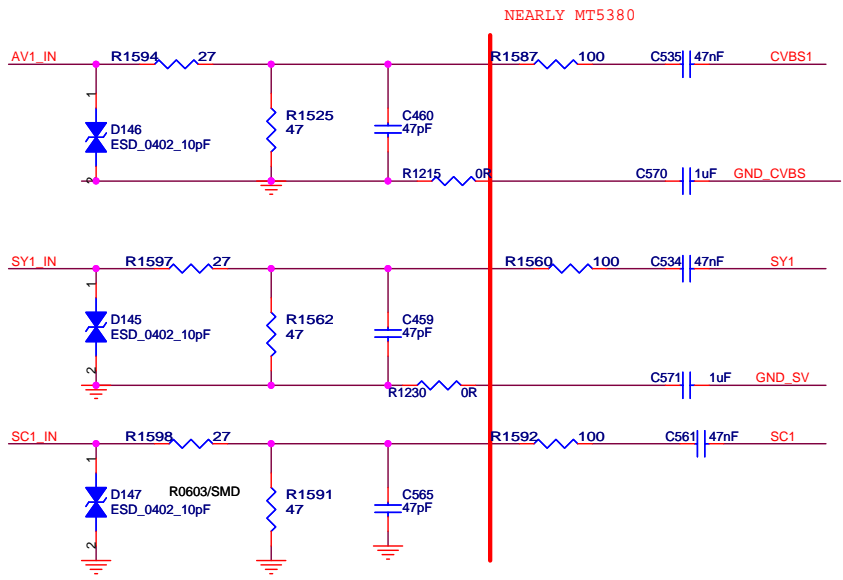
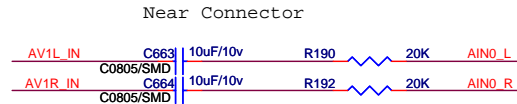
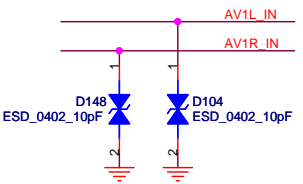
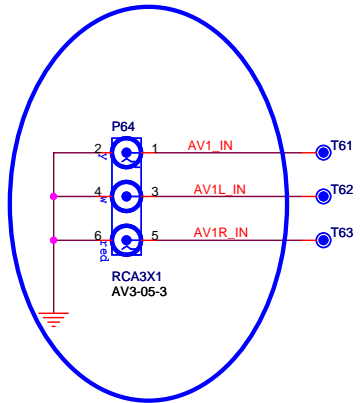
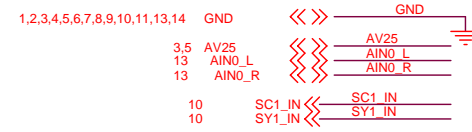
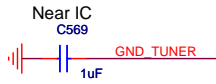
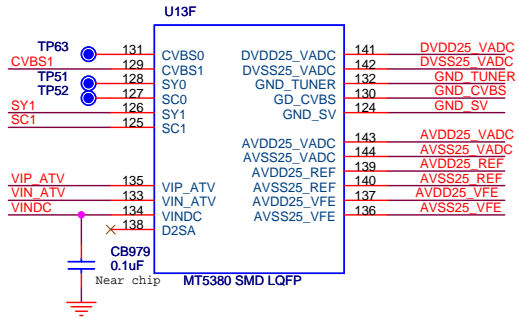


UPDATA LEVEL SHIFTER



NUSTC_5380P1_V2

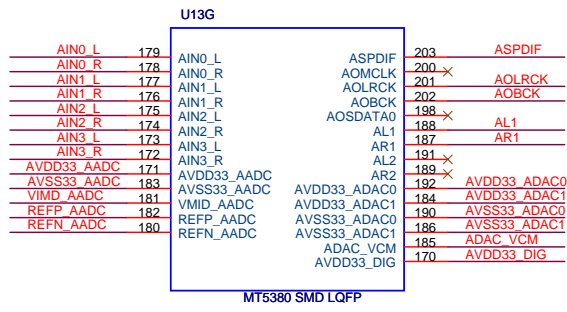
	MediaTek Inc. No.1-2, Innovation Rd 1, SBIP, Hsin-Chu City 300 TEL:(03)567-0766 FAX:(03)578-7610		
	VGA IN/LR		
Size B	Document Number MT5380P1-V2	Drawn	Rev V1
Date:	Thursday, December 04, 2008	Sheet 11	of 15



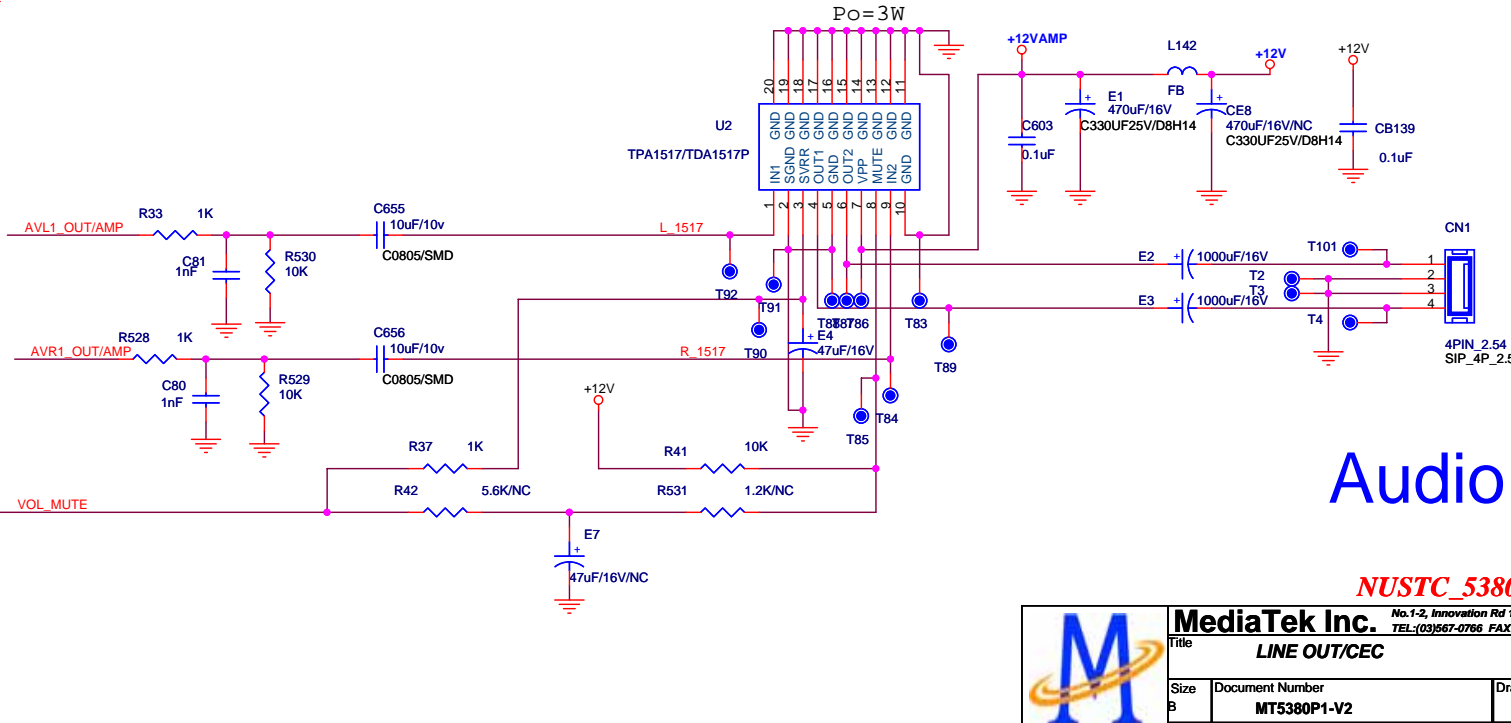
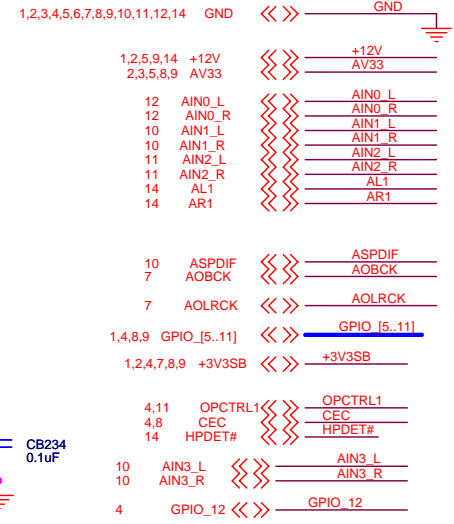
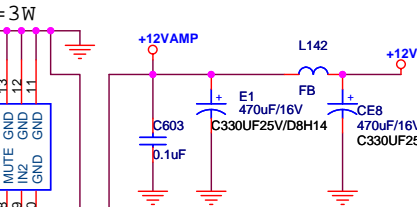
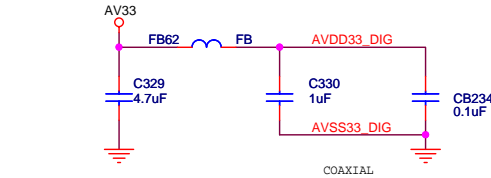
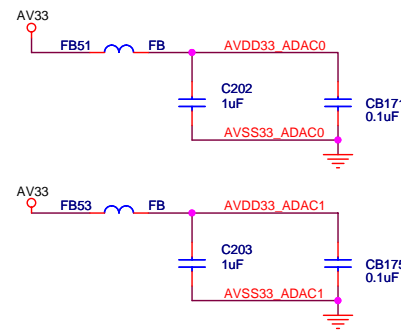
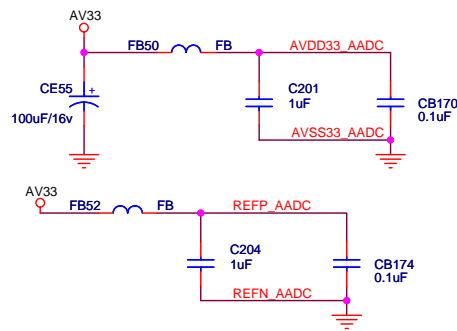
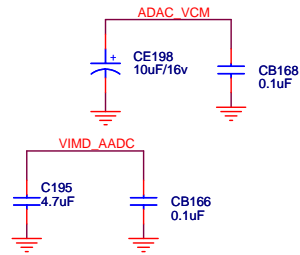
NO VIDEO OUTPUT

NUSTC_5380P1_V2

	MediaTek Inc.			<small>No.1-2, Innovation Rd 1, SBIP, Hsin-Chu City 300 TEL:(03)567-0766 FAX:(03)578-7610</small>	
	AV IN/L/CVBS0				
Size	Document Number	Drawn	Rev		
B	MT5380P1-V2		V1		
Date:	Thursday, December 04, 2008	Sheet	12	of	15



Need fine tune timing

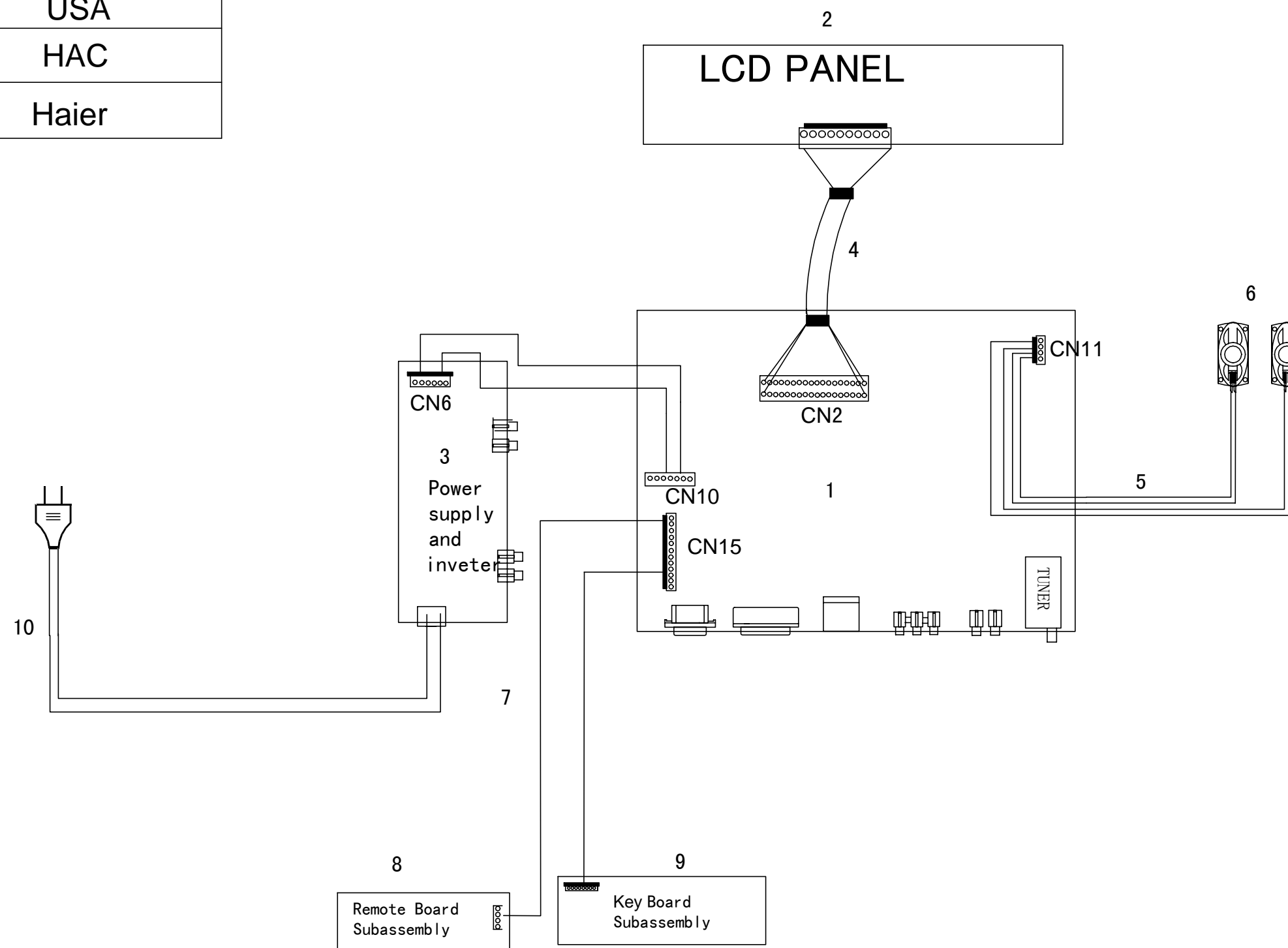


Audio AMP

NUSTC_5380P1_V2

	MediaTek Inc. No.1-2, Innovation Rd 1, SBIP, Hsin-Chu City 300 TEL:(03)567-0766 FAX:(03)578-7610		
	LINE OUT/CEC		
Size	Document Number	Drawn	Rev
b	MT5380P1-V2		V1
Date:	Thursday, December 04, 2008	Sheet	13 of 15

Customer Model	HL22FO1
Factory Model	LA22F3W
Serial No.	DC14C0E0B00
Job Order No.	AT08SR0328US02
Country	USA
Customer	HAC
Brand	Haier



NO.	NAME	Serial NO.	Spec	Quantity			
1	Mainboard subassembly	DC14C0E0C00M	0090719615	1			
2	LCD Panel	0094001227CA		1			
3	Power supply board	0094001224B		1			
4	LVDS wire	0090402338		1			
5	Speaker wire	0090402274		1			
6	Speaker	0094015071		2			
7	Combination wire	0090403157C		1			
8	Remote Control Board Assembly	0090714708		1			
9	Keypad Assembly	0090701136		1			
10	Power cord	0090403211A		1			
Workout		Auditing		Standard-ization		Approve	

8. Measurements and Adjustments

8-1. Service Mode

8-1-1. How to enter into Service Mode

The way to the factory mode menu:

1st, press menu,

2en, input 8893,

3rd, press "ok"

Finished these operations , system will be into the factory mode menu.

8-1-2. How to exit

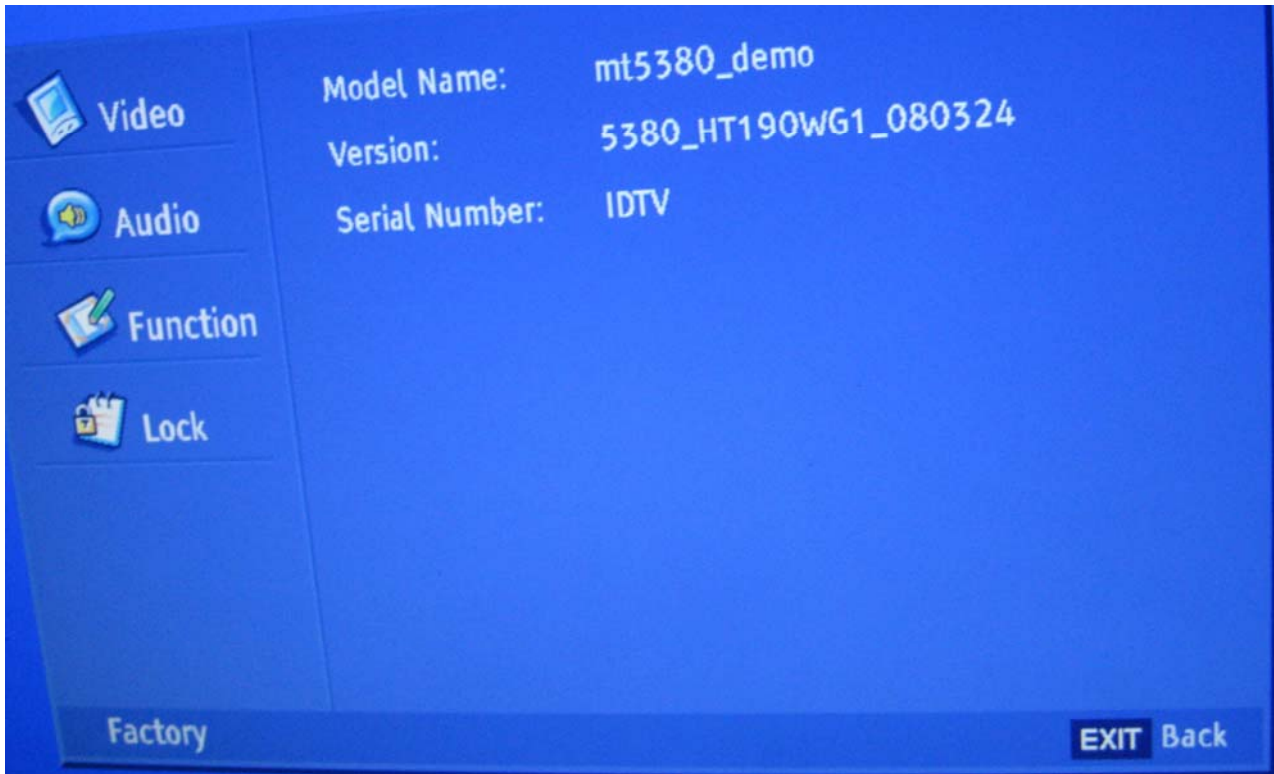
IF want to exit this factory menu, please press the botton "Exit" in the remoter.

8-2 Measurements and Adjustments



8-2-1 Version ,S/N, Panel Resoution

Version: The first line is the model Name and the second line is current software version.



8-2-2 Video

Auto Color

The option could only be used in the VGA and Component model. When we found the color in the two

models was abnormal. Then we can use the function to adjust it automatically.

Color Temperature

The function could adjust the Color Temperature., used when debugging.



8-2-3 Audio

Dolby Banner: When turn it "ON", the model will be in Dolby authentication state.

Compression: Compression style. RF: atv line: AV/S-Video/YPbPr/VGA

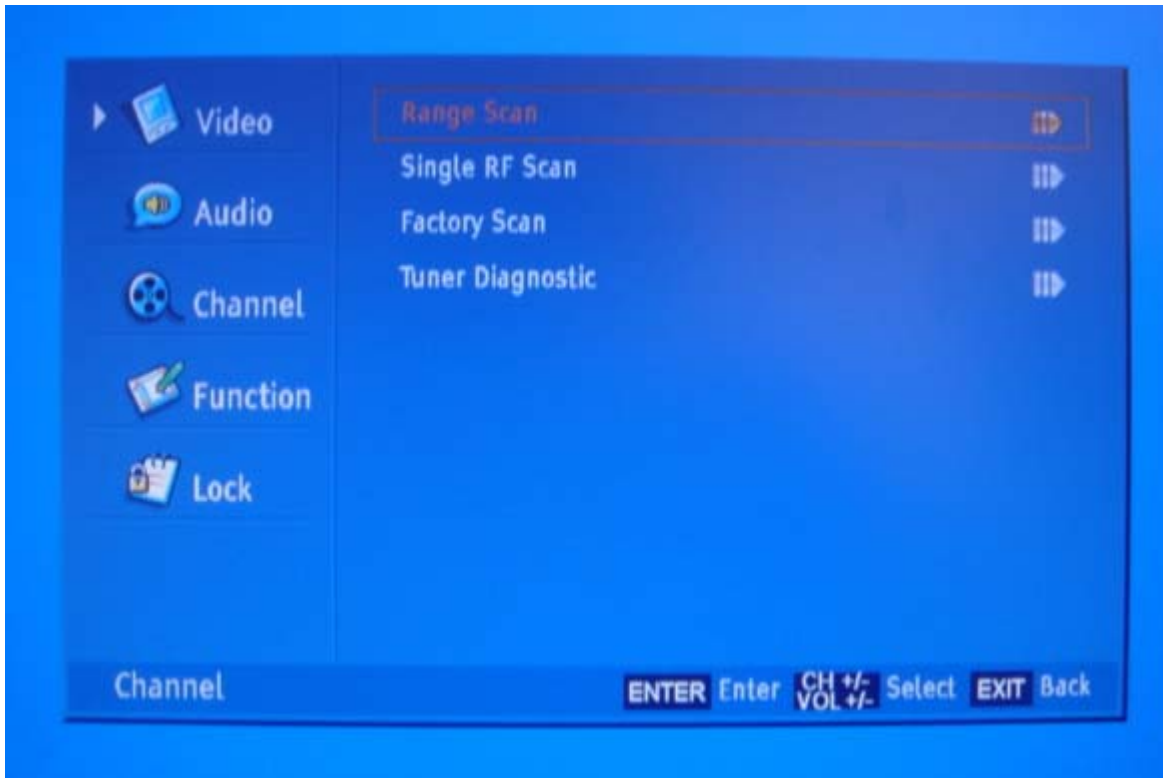
Compression Factor: Compression state.

Downmix: output model. MTS System: used when debugging. The parameters only used when debugging, no need to be modified.

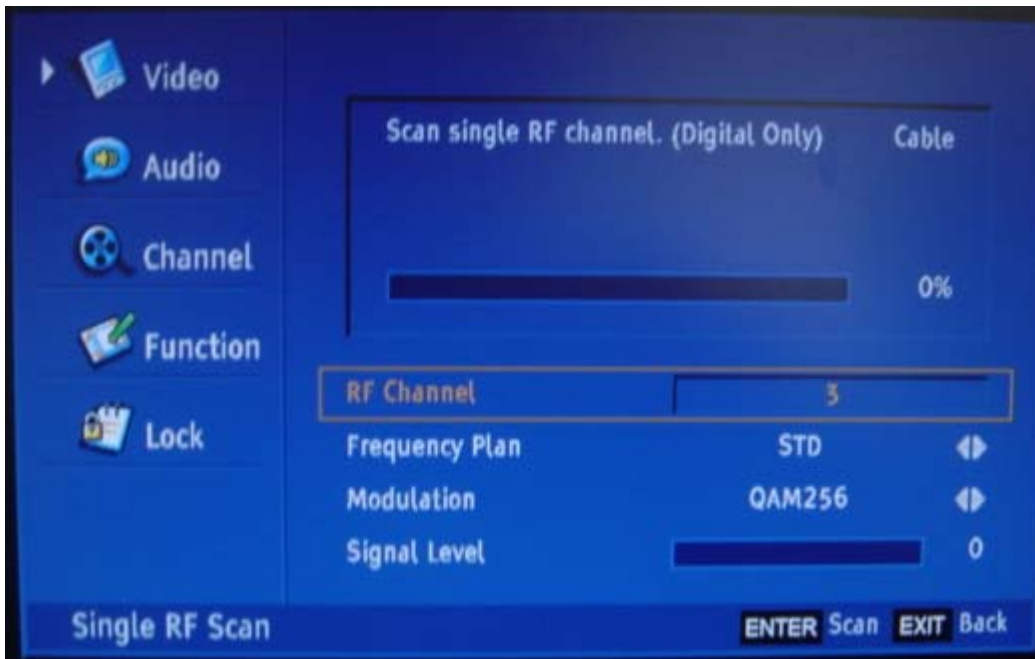


8-2-4 Channel

Range Scan: The function could make it to search the channels by differentiation the analog and digital channels.



Single RF Scan: Search channels in the frequency scope set in advance.



Factory Scan: According to ANTENNA-ANALOG---> ANTENNA-DIGITAL---> CABLE-ANALOG---> CABLE- DIGITAL to search channels, used only in project debugging.

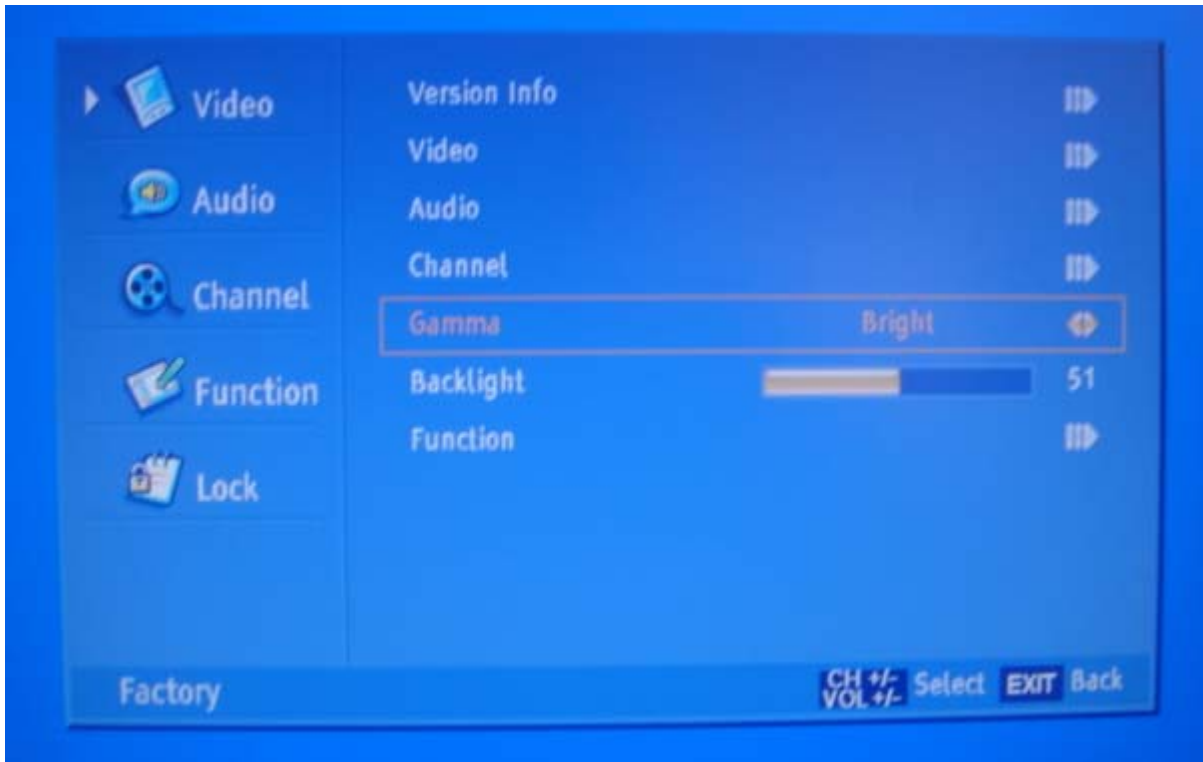


Tuner Diagnostic: Project debugging setting, used to inspect the audio function.

8-2-5Gamma

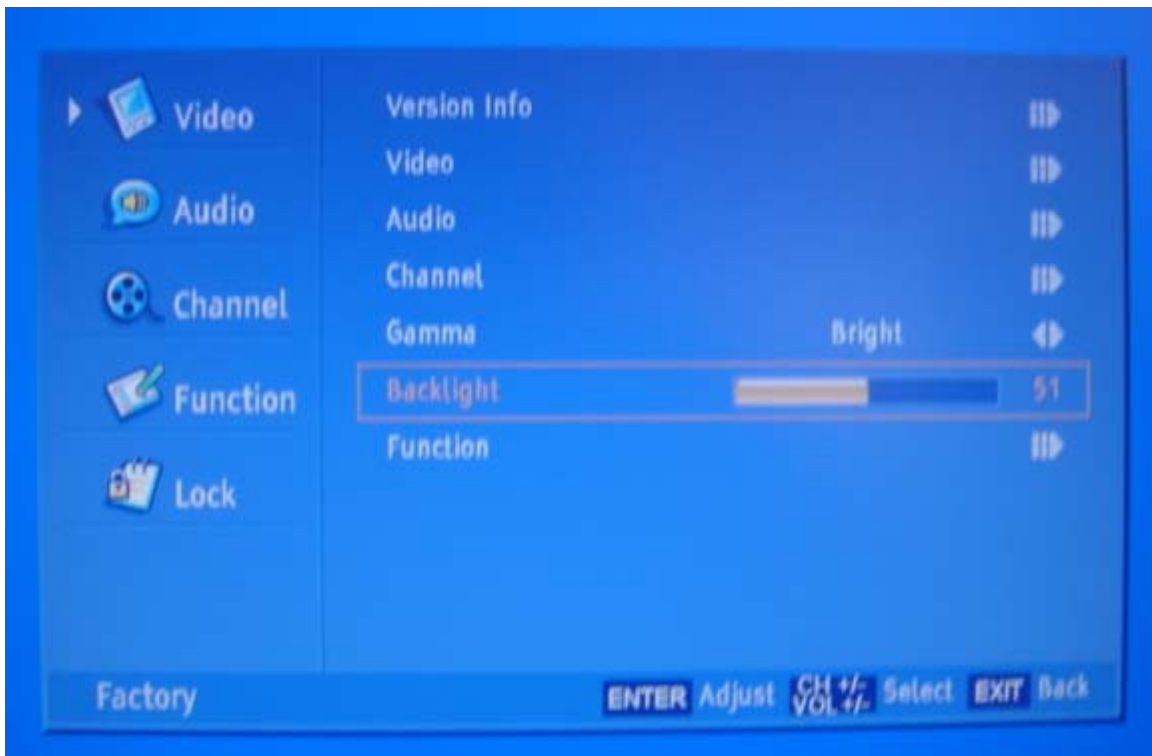
Gamma:

Bright: GAMMA0.8 Middle: default settings in the program Dark: GAMMA1.2



8-2-6 Backlight

Backlight: adjust the backlight.



8-2-7 Function

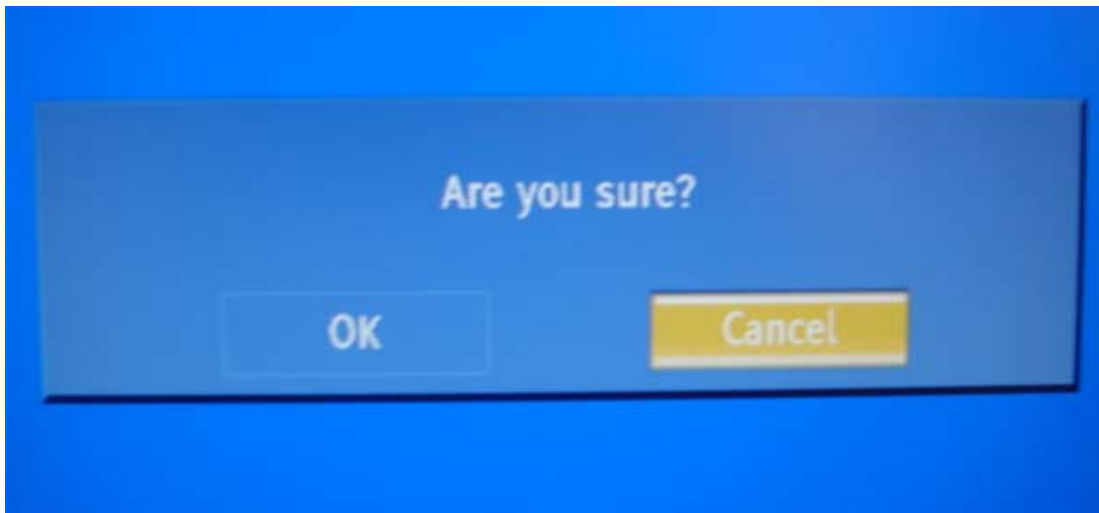
Burning Mode:

Turn it "ON" to enter the aging model, This is for factory run-in testing. The screen would display red, green, blue and black screen repeatedly. Each color screen could be exam at that time.



Clean Storage: The function could make the model turn back to the factory default setting.





Remark:

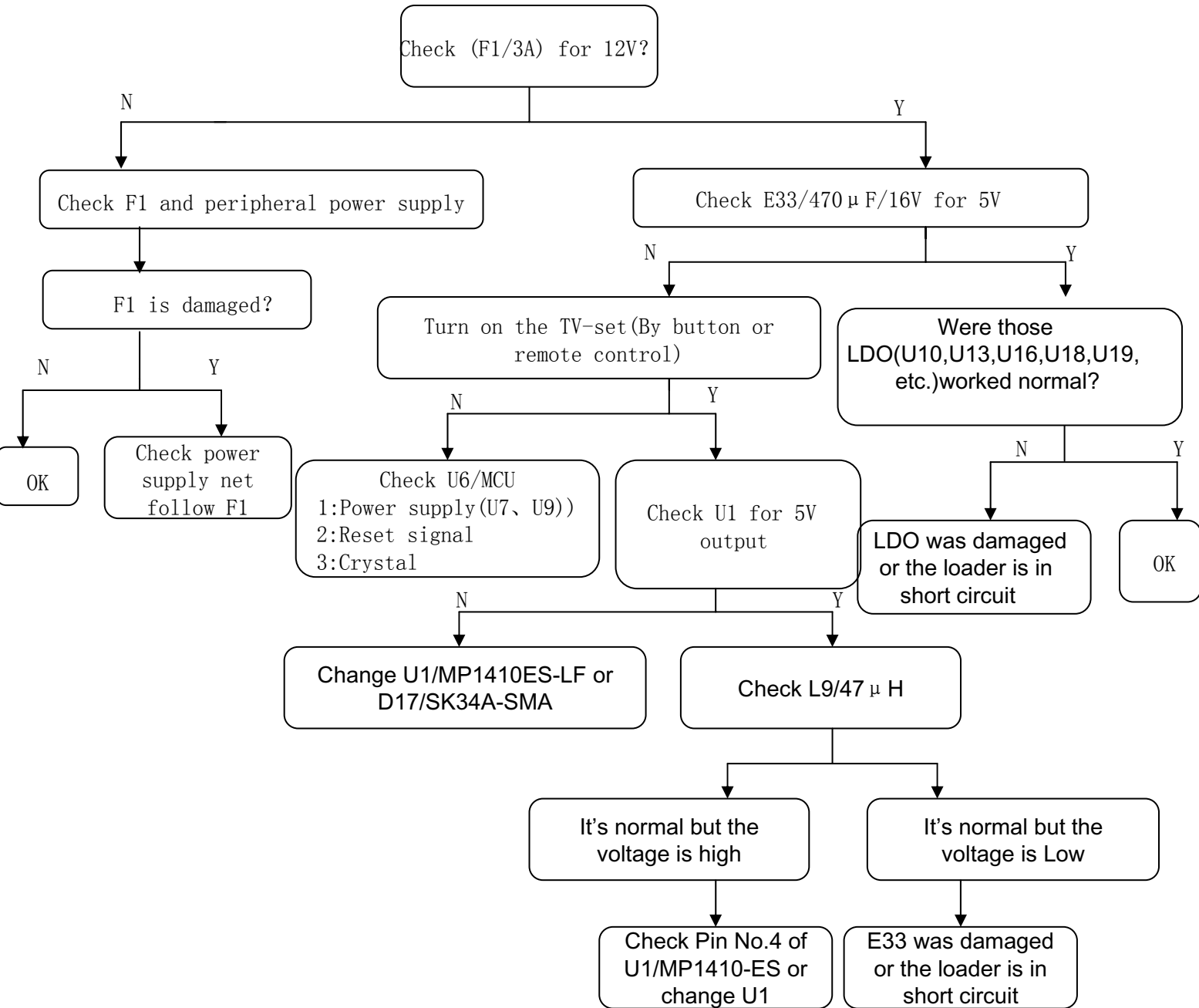
The date of the chart only is a example, please don't adjust the factory mode base on it.

9. Trouble shooting

9-1. Simple check

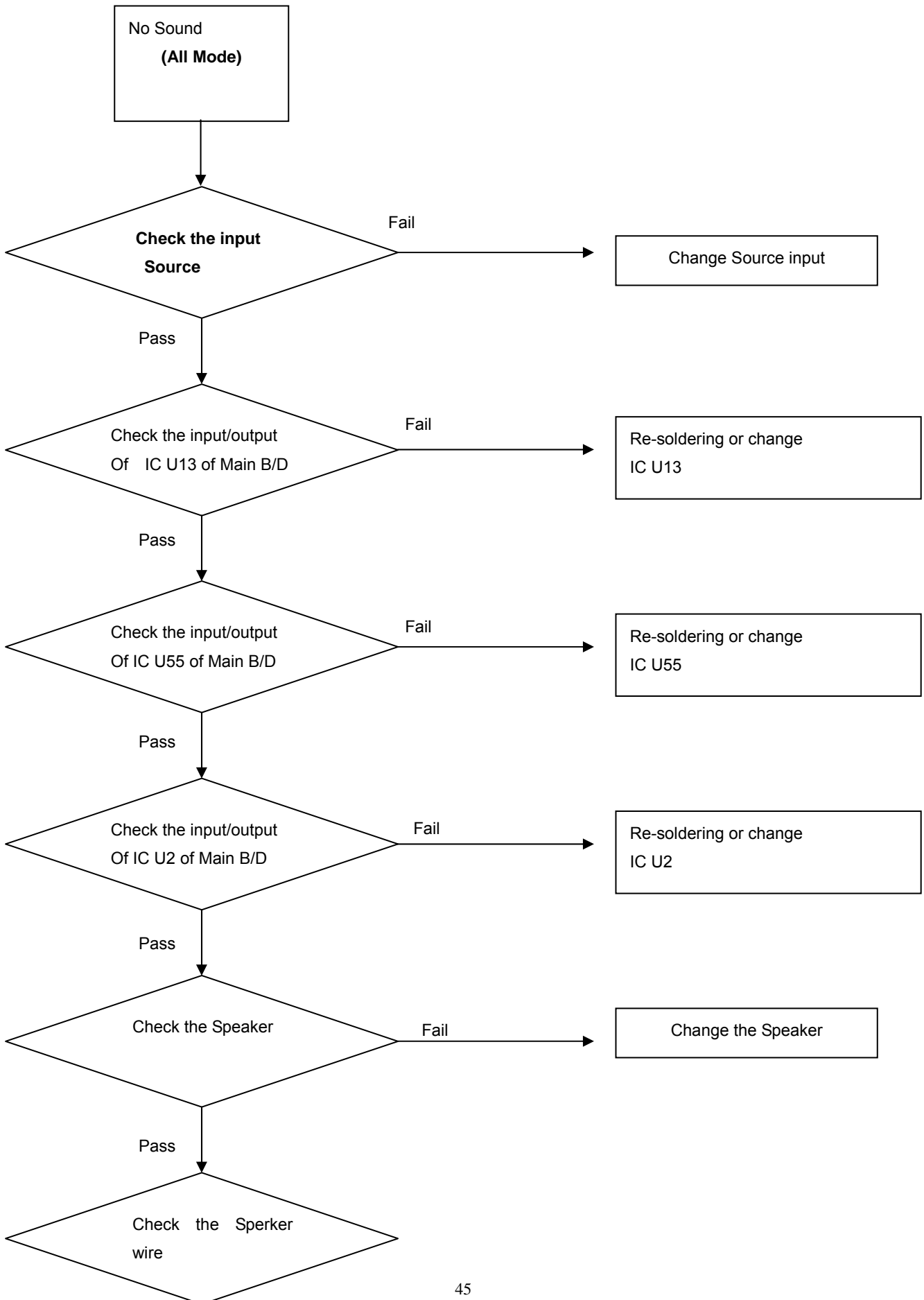
No Picture,no sound	Verify if the television is properly plugged Verify if the television is properly supplied power Verify if electricity is available
Blank screen	Verify if correct signals are input Press INPUT button to change signal input to TV input Restart the television of power supply is interrupted
No sound	Press Mute button and verify if Mute mode is set. Switch to otger channel and verify if the same problem happens. Press VOL+ button to see of he problem can be solved.
Poor sound	Verufy if sound system is correct .Refer to some chapter for adjust.
No picture in some channel	Verify if correct channel is selected. Adjust the antenna. Make adjustments by Fine Tune and MANUAL Scan.
No color for some channel program(black and white)	Verify if the same problem exists in other channels. check out of picture and sound system. Refer to relative instructions in the Manual for color adjust.
Spots with some or all pictures	Verify if the antennal is correctly connected. Verify if the antennal is in good condition. Make fine adjustment of channel.

9-2. Power Supply Board failure check.

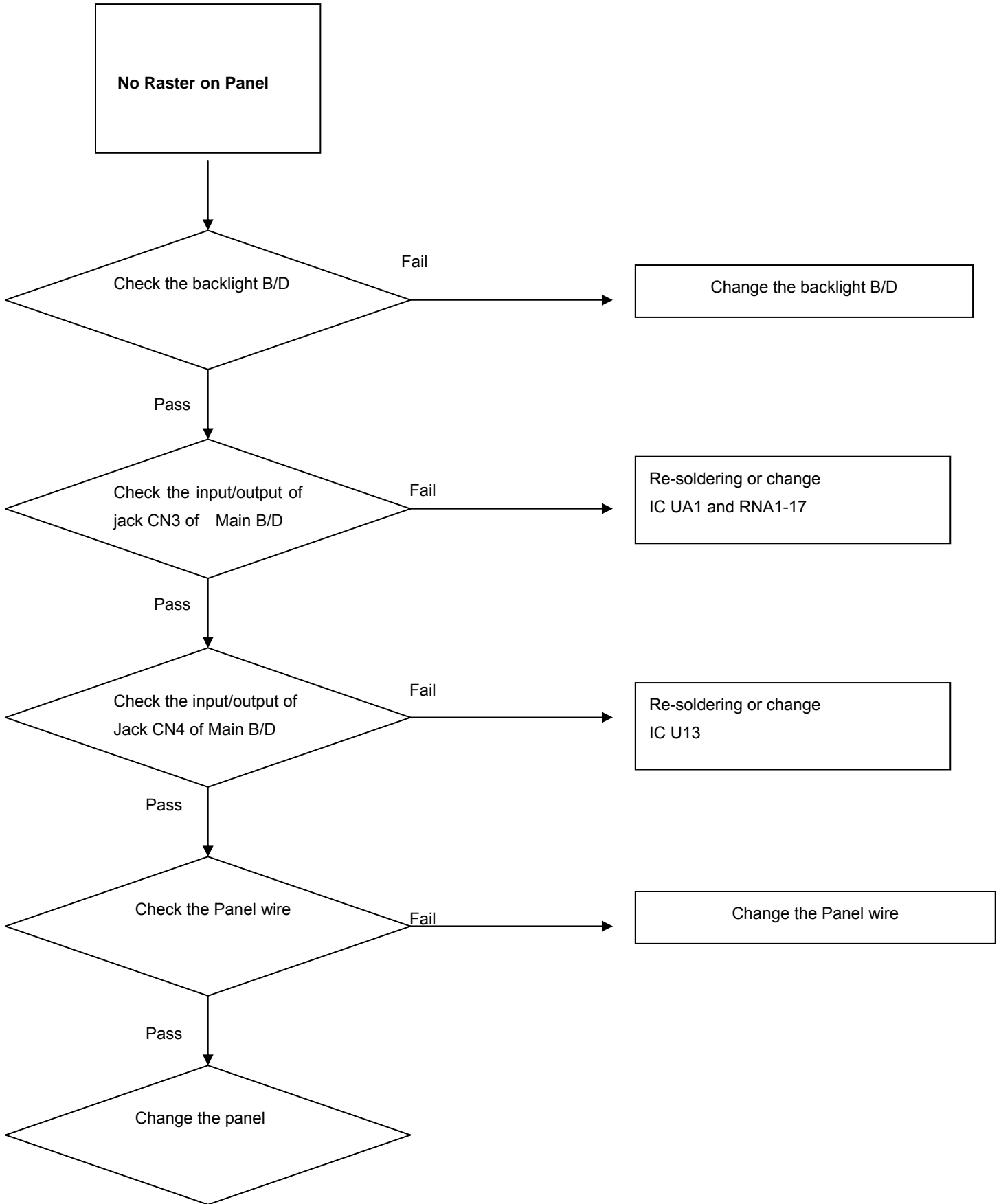


9-3. Main board failure check

State: No Sound

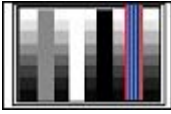
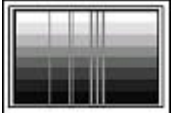
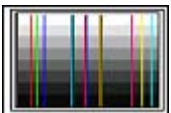

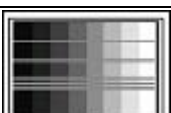
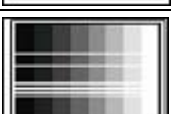


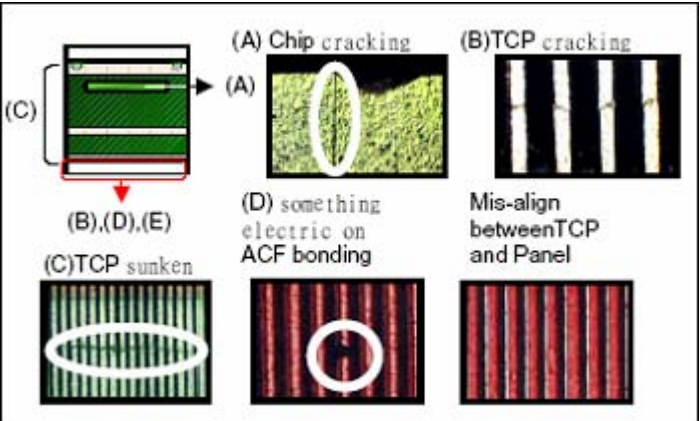
State: No picture



9-4. Pannel failure

Failure Mode





Part	Name	Description	Phenomena	Failure cause
TCP	V B/D	Vertical bar		Block Defect :TCP cracking or cracking Dim or L/D :TCP Sunken :TCP lead cracking :ACF bonding short :Awful environment and something electric enter into LCD :Mis-align between TCP and Panel :Panel failure :TCP failure
	V Dim	Vertical gray line		
	V L/D	Vertical color line(light or dark forever)		
	H B/D	Horizontal bar		
	H Dim	Horizontal gary line		
	H L/D	Horizontal line(light or dark forever)		




(A) Chip cracking (B) TCP cracking



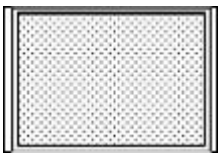
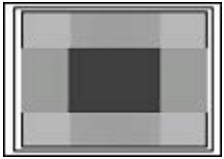
(C) TCP sunken (D) something electric on ACF bonding (E) Mis-align between TCP and Panel

Failure Mode




Part	Name	Description	Phenomena	Failure cause
Panel or Polarizer	Dot Defect	Bright dot dark dot in pannel		Incoming Inspection Standard
	Polarizer Bubble	Bladder in Polarizer		Bladder between Polarizer and top glass
	Polarizer Scratch	Polarizer Scratch		Tine or rigidity arose
	F/M inside Polarizer	Eyewinker inside Polarizer		Eyewinker inside Polarizer
Circuit	Abnormal Display	Abnormal Display		1. Chip lose action 2. IC ahort or jointiog bad


	Flashing	Bright and dark display alternately		3. Panel and vsc connect bad
--	----------	-------------------------------------	---	------------------------------

Failure Mode



Part	Name	Description	Phenomena	Failure cause
Circuit	White Screen	B/L normal, only white screen display		Maybe caused by surge current and EDS
	Black Screen	B/L normal, only Black screen display		
	Flicker	Crosstalk		LCD Vcom imbalance
	Abnormal Color	Only abnormal color		Capacitance improper bring crosstalk inside LCD panel
	Abnormal Color	Only abnormal color		1. Chip lose action 2. IC short or joint bad 3. Panel and vsc connect bad

Failure Mode

Part	Name	Description	Phenomena	Failure cause
	Mechanical Noise	When turn panel, appear cacophony		Caused by Mechanical noise of backlight unit
	Ripple	Concentric circle		Caused by between mechanism and panel
	B/L off	B/L lose action		*Connect badness between wire and electrode
	B/L dark	B/L brightness darker than normal		*Connect badness Short between wire and electrode
	B/L wire damaged	B/L wire damaged		Operation abnormal or systemic noise

	B/L wire open	Without backlight		Operation abnormal or systemic noise
	B/L shutdown	B/L shutdown in sometime		Short between lamp housing and wire, Because consume power too much
	F/M	F/M in B/L, white, black Rotundity or wirelike		F/M in B/L unit

Failure Mode

Part	Name	Description	Phenomena	Failure cause
Mechanical or B/L	Light leakage	Brightness at bottom of LCM brighter than normal		B/L unit badness
	Uniformity	B/L brightness asymmetric		Sheet in B/L unit is uneven
	Mount hole	Lack screw or screw damage		*Lack screw Screw damage

Sincere Forever