

WhisperWarm® DC™ Ventilation Fan/Heater Combo

WhisperWarm® DC™
VENTILATION FAN

Fan/Heater model: FV-0511VH1

Fan/Heater/Light model: FV-0511VHL1



HEALTHY AIR, HEALTHY HOME

HVI-certified True Flow ratings at **0.375"** static pressure provide powerful CFM output to assure code compliant, healthy homes.*

KEY FEATURES

- Precision spot ventilation fan/heater combo pairs a powerful ECM motor with SmartFlow™ technology for optimum airflow and CFM output
- Built-in 1600W Positive Temperature Coefficient heater delivers instant warm-up for ultimate comfort and Panasonic's legendary long-life operation
- Unique, adjustable grille with built-in diffuser offers superior directional heating
- Pick-A-Flow™ and SmartFlow™ work together to assure required airflow (50-80-110 CFM), optimal exhaust power, code compliance and reduced callbacks
- Optional 10W dimmable LED chip panel with <1W LED night light is JA-8 compliant for CA Title 24 (night light wired separately)
- Flex-Z Fast™ bracket enables fast, flexible room side installation
- Can be used to comply with ASHRAE 62.2

ADDITIONAL PRODUCT DETAILS

- Fits in 2x8 construction for easy bathroom renovations and upgrades
- Integrated 4" or 6" dual duct adapter offers greater installation flexibility
- Low-profile design and grille assembly delivers more power in a smaller footprint
- Built-in damper reduces back drafting and helps with blower door testing
- Minimum 20 Amp dedicated circuit required.
- Warranty: 6 years on ECM Motor, 5 years on LED light, 3 years on all other parts

* Industry research indicates static pressure in typical installations ranges from 0.20" to 0.375" wg.



The all-in-one solution for warmth, comfort and healthy indoor air

As indoor comfort becomes a necessity in today's *from-home* lifestyle, the next-generation WhisperWarm DC packs a slew of new features to deliver healthy air and instant warmth to chilly bathrooms. A powerful new ECM motor and larger 1600-watt heating element enables builders and remodelers to enjoy easy, code-compliant installations, while delivering high-output exhaust ventilation and space heating for occupants.

For homes with little or no heat in bathrooms or for added comfort in assisted living residences, WhisperWarm DC comes to the rescue.

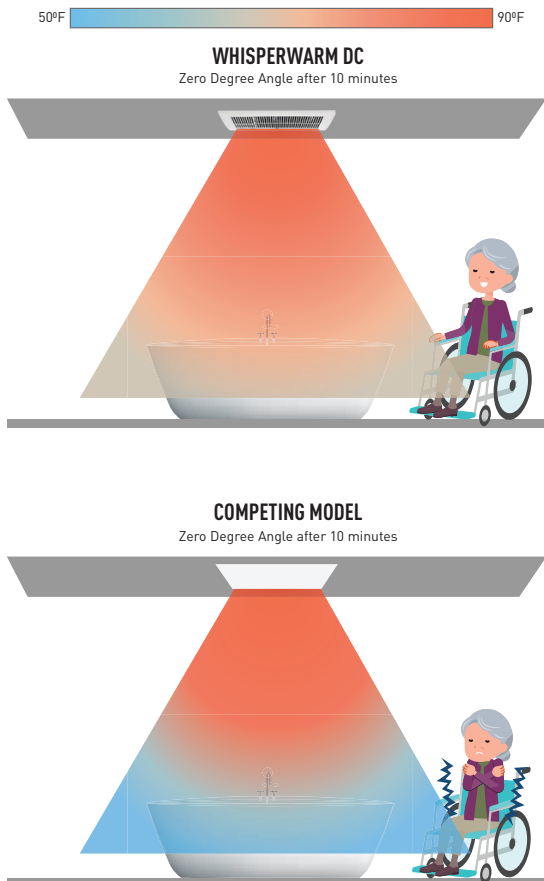
Powerful ventilation



Featuring our high-powered **ECM motor with SmartFlow™** technology, WhisperWarm DC™ is engineered and field-tested to perform as rated and meet code when installed in real world applications. When static pressure is detected, fan speed increases automatically to ensure optimal CFM output and exhaust strength. Installers can complete jobs worry-free without compromising fan performance or code requirements.

Safer, better space heating

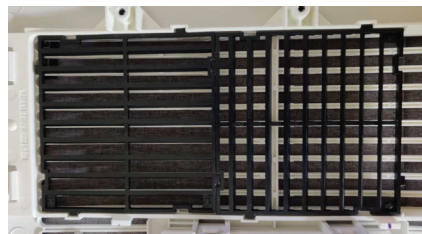
WhisperWarm's new 1600W **Positive Temperature Coefficient (PTC) heater** provides greater heat transfer and safer operation. Because the heater is self-regulating it will not overheat. Electrical consumption automatically decreases as it reaches ideal operating temperature, increasing energy efficiency, safety and product life.



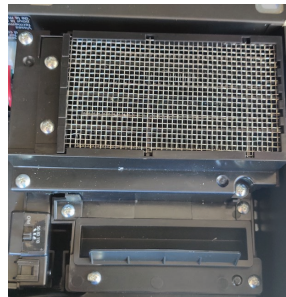
Installation Note: Minimum 20 amp dedicated circuit required. For best performance install heater no more than eight (8) feet from floor to ceiling.

Directional room-warming comfort

Comfy and toasty was never this easy. Quickly warm-up your bathroom where you need it most. The unique, **adjustable grille with built-in diffuser** and directional louvers produces higher output velocity for dispersing and directing warm air faster and wider.



Adjustable Grille with Built-in Diffuser



1600W PTC Heater

Clean & simple installation

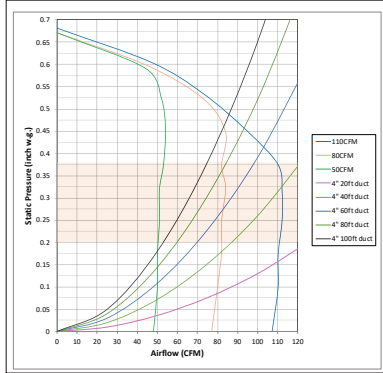
Flex-Z Fast installation bracket enables speedy roomside installation from below the ceiling. The ingeniously designed double-hinged bracket offers flexible, fast installation on new construction and renovation projects without the need to climb and carry your tools into tight attics.



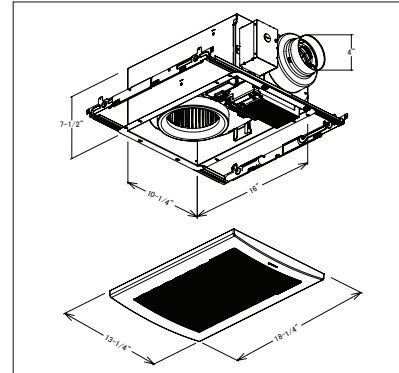
Flex-Z Fast installation bracket



FV-0511VH1



FV-0511VH1



Specifications		WhisperWarm [®] DC™ (Fan/Heater)								
		FV-0511VH1								
		4"			4"			4"		
Characteristics (HVI tested data)	Static Pressure in inches w.g.	0.1	0.25	0.375	0.1	0.25	0.375	0.1	0.25	0.375
	Air Volume (CFM)	110	112	110	80	82	82	50	51	53
	Noise (sones)	0.7	1.5	-	<0.3	1.0	-	<0.3	0.8	-
	Power Consumption (watts)	12	19.0	26.0	7.7	13.3	18.2	4.7	8.6	12.3
	Energy Efficiency (CFM/Watt)	9.2	5.9	4	10.4	6.2	4.5	10.6	5.9	4.3
	Speed (RPM)	861	1090	1249	736	1008	1173	638	930	1112
	Current (amps)	0.24	0.37	0.49	0.16	0.26	0.35	0.10	0.18	0.25
	MAX. Current(amps)	0.50								
	Power Rating (W/Hz)	120/60								
Specifications	Motor Type	ECM (DC)								
	Type of Motor Bearing	Ball								
	Thermal Fuse Protection	Yes								
	Blower Wheel Type	Sirocco								
	ENERGY STAR Qualified	No								
Installation	Duct Diameter (Inches)	4" or 6"								
	Mounting Opening (Inches sq.)	10-1/4" x 16"								
	Grille Size (Inches sq.)	13-1/4" x 18-1/4"								
Shipping	Gross Weight (lbs)	16.3								
Approved Code/ Standard/Regulation	UL tub/Shower Enclosure	No								
	Wall installation	No								
	California Title 24 Compliant(LED)	Yes								
	Mfg in ISO 9001 Certified Facility	Yes								

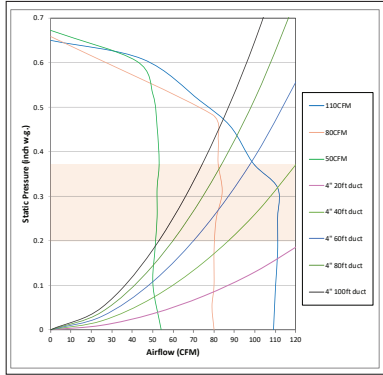
*Industry research indicates static pressure in typical installations ranges from 0.20" to 0.375".



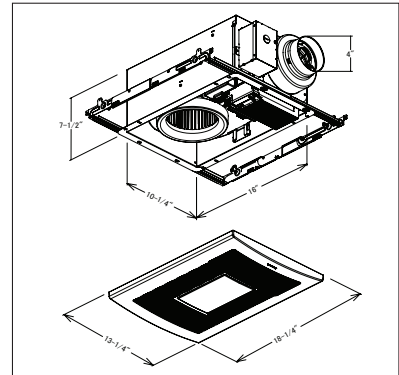
LED Lighting:

Includes a 10 Watt Dimmable LED chip panel/3000 Kelvin Warm White/≥90CRI/750 lumens/≥70 LPW/ENERGY STAR 2.0 certified/JA-8 compliant for CA Title 24/50,000 hours rated average life /<1W LED night light included.

FV-0511VHL1



FV-0511VHL1



Specifications		WhisperWarm® DC™ (Fan/Heater/Light)								
		FV-0511VHL1								
		4"			4"			4"		
Characteristics (HVI tested data)	Static Pressure in inches w.g.	0.1	0.25	0.375	0.1	0.25	0.375	0.1	0.25	0.375
	Air Volume (CFM)	110	111	99	80	81	82	50	52	53
	Noise (sones)	0.7	1.5	-	<0.3	1.0	-	<0.3	0.7	-
	Power Consumption (watts)	12.4	19.8	26.0	7.4	13.1	18.6	4.7	8.9	12.7
	Energy Efficiency (CFM/Watt)	8.9	5.6	3.8	10.8	6.2	4.4	10.6	5.9	4.2
	Speed (RPM)	885	1115	1265	745	1022	1194	654	943	1130
	Current (amps)	0.25	0.39	0.48	0.15	0.27	0.37	0.10	0.18	0.26
	MAX. Current(amps)	0.50								
Specifications	Power Rating (V/Hz)	120/60								
	Motor Type	ECM (DC)								
	Type of Motor Bearing	Ball								
	Thermal Fuse Protection	Yes								
	Blower Wheel Type	Sirocco								
Installation	ENERGY STAR Qualified	No								
	Duct Diameter (Inches)	4" or 6"								
	Mounting Opening (Inches sq.)	10-1/4" x 16"								
Light Specifications	Grille Size (Inches sq.)	13-1/4" x 18-1/4"								
	Lamp Watts	10								
	Lumens (lm)	750								
	Lumens Per Watt (LPW)	≥70								
	Color Rendering Index	≥90								
	Color Temperature (Kelvin)	3000K								
	Rated Life (hours)	50000								
	Lamp Model #	N/A								
Night Light Specs	Type of Lamp Socket	LED chip								
	Night Light Watts	0.2								
Shipping	Gross Weight (lbs)	17.4								
Approved Code/ Standard/Regulation	UL tub/Shower Enclosure	No								
	Wall installation	No								
	California Title 24 Compliant(LED)	Yes								
	Mfg in ISO 9001 Certified Facility	Yes								

*Industry research indicates static pressure in typical installations ranges from 0.20" to 0.375".