

**Serie | 8, Built-in oven, 60 x 60 cm,
Stainless steel
HBG6753S1A**



Included accessories

1 x grill tray
suit. pyrol. clean.
2 x combination grid
1 x universal pan

Optional accessories

HEZ327000 : Pizza stone
HEZ530000 : Half tray
HEZ531010 : Baking tray, non-stick ceramic coated
HEZ638370 : 3 level telescopic rails, full ext,pyro

**The built-in oven, which you get perfect
baking and roasting results.**

- **AutoPilot 10:** every dish is a perfect success thanks to 10 pre-set automatic programmes.
- **TFT display control:** easy-to-use thanks to the Bosch control ring with full text and symbols.
- **Pyrolytic self-cleaning:** no cleaning effort thanks to automatic self-cleaning.
- **SoftMove door with SoftOpen and SoftClose:** the oven door opens and closes especially gently and quietly.
- **4D Hotair:** even heat distribution for perfect results – on any level.

Technical Data

Color / Material Front : Stainless steel
Built-in / Free-standing : Built-in
Door opening : Drop down
Integrated Cleaning system : Pyrolytic+Hydrolytic
Control Panel Material : Stainless steel
Door Material : Glass
Dimensions : 595 x 594 x 548 mm
Dimensions of the packed product (HxWxD) : 670 x 680 x 670 mm
Min. required niche size for installation (HxWxD) : 585-595 x 560-568 x 550 mm
Cavity dimensions : 357 x 480 x 415 mm
Usable volume of cavity : 71 l
Number of interior lights : 1
Net weight : 40.7 kg
Gross weight : 43.2 kg
EAN code : 4242002827025
Connection Rating : 3600 W
Fuse protection : 16 A
Voltage : 220-240 V
Frequency : 60; 50 Hz
Length electrical supply cord : 120 cm



Serie | 8, Built-in oven, 60 x 60 cm, Stainless steel HBG6753S1A

The built-in oven, which you get perfect baking and roasting results.

Technical Information

- Total connected load electric: 3.6 KW
- Appliance dimension (HxWxD): 595 mm x 594 mm x 548 mm
- Installation dimensions (HxWxD): 585 mm - 595 mm x 560 mm - 568 mm x 550 mm
- Length of mains cable: 120 cm
- Please reference the built-in dimensions provided in the installation drawing

Heating Functions

- Oven with 13 PC heating methods:
 - 4D Hot Air
 - Defrost
 - Full width grill
 - HotAir Eco
 - Half width grill
 - Top/Bottom heating
 - Top/bottom heating Eco
 - Pizza setting
 - Low temperature / slow cooking
 - Bottom heating
 - Hot-air grilling
 - Plate warming
 - Keep warm
- Temperature range 30 °C - 300 °C
- Cavity volume: 71 l

Design

- Bosch Control Ring
- Stainless steel bar handle
- Full glass inner door

Convenience

- TFT Touch Symbol Display
- Automatic Temperature control for each function
 - Actual temperature display
 - Temperature control indicator
 - AutoPilot Automatic programming
- Automatic rapid heat function
- Child lock
 - Residual heat indicator
 - Automatic switch off
 - Start button
 - Door contact safety switch
 - Door lock
- Halogen lighting
- Cooling fan
- Stainless-steel fan
- Info button
- Pull out system: 2 level telescopic shelf rails, full extension, safety stop function
- Maximum window temperature 30° C

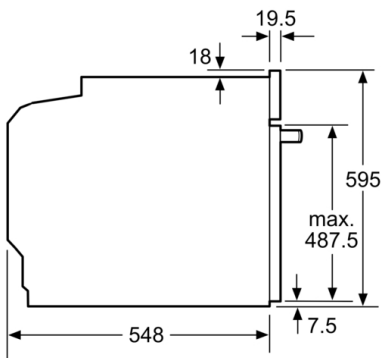
Cleaning

- Pyrolytic cleaning function
- Pyrolytic proof trayholder and baking tray

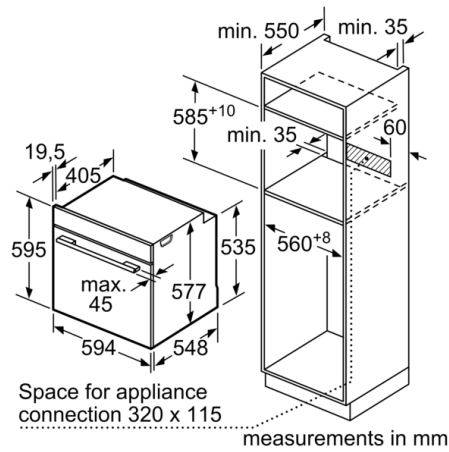
Accessories

- grill tray, suit. pyrol. clean., combination grid, universal pan

Serie | 8, Built-in oven, 60 x 60 cm, Stainless steel
HBG6753S1A



measurements in mm

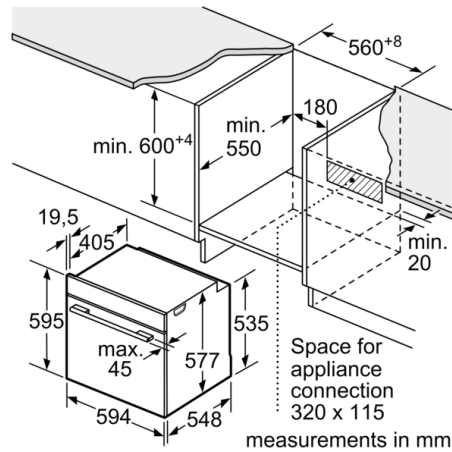


Space for appliance connection 320 x 115

measurements in mm

If the appliance will be installed underneath a hob, the following worktop thicknesses (including substructure if necessary) must be taken into account.

Hob type	min. worktop thickness	
	fitted	flush
Induction hob	37 mm	38 mm
Full surface Induction hob	47 mm	48 mm
Gas hob	30 mm	38 mm
Electric hob	27 mm	30 mm



measurements in mm