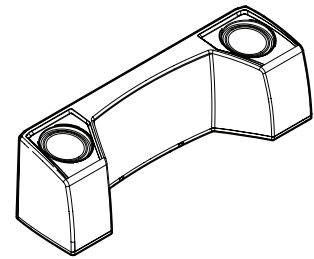


MODEL SPKACC SENSONIC[™] SPEAKER ACCESSORY



FEATURES

- Dual High-Fidelity Sensonic[™] speakers with *Bluetooth*[®] wireless technology.
- Quickly and easily add the Speaker to most Broan or NuTone QT-series Ventilation Fans.
- Brilliant audio performance concealed behind the fan grille when installed.
- Play any audio through most *Bluetooth*[®] wireless technology enabled devices.
- Volume adjustment and song selection are controlled from the mobile device.
- After initial setup, pairing with mobile device occurs automatically.
- 3-Year Warranty

FOR USE WITH

- Works with most Broan and NuTone QT-series Fans and Fan/Lights.
- Does not work with fans with humidity sensing, fans equipped with heaters, and fans controlled with variable speed controls.
- The SPKACC can be used only with the models shown in the chart on Page 2.



The *Bluetooth*[®] word mark and logos are registered trademarks owned by *Bluetooth*[®] SIG, Inc. and any use of such marks by Broan-NuTone LLC is under license. Other trademark and trade names are those of their respective owners.

ELECTRICAL SPECIFICATIONS

- 120 Volts, 60 Hertz, 0.2 Amps.
- *Bluetooth*[®]:
V4.0; Class 2; *Bluetooth*[®] QDID No. 62779.
- Add Speaker Current to Fan Current for total current draw.
- Speaker power:
5 Watts per channel (10 total Watts).
- Signal to Noise Ratio (SNR):
Greater than 80 dB.
- Frequency Response:
60 Hz – 20 kHz.
- *Bluetooth*[®] Pairing Mechanism:
Secure Simple Pairing.
- *Bluetooth*[®] Profiles Supported:
Advanced Audio Distribution Profile (A2DP) and Hands-Free Profile 1.5.
- *Bluetooth*[®] Range:
10 meters (33 feet).
- Safety tested for use in USA and Canada (UL File No. E17814).
- Meets all applicable FCC and Canadian IC requirements.
- Can be used to comply with California Title 24.
- For dimensional information, see page 2.



Broan-NuTone LLC Hartford, Wisconsin www.broan.com 800-558-1711 www.nutone.com 888-336-3948

REFERENCE	QTY.	REMARKS	Project
			Location
			Architect
			Engineer
			Contractor
			Submitted by Date

MODEL SPKACC SPEAKER ACCESSORY

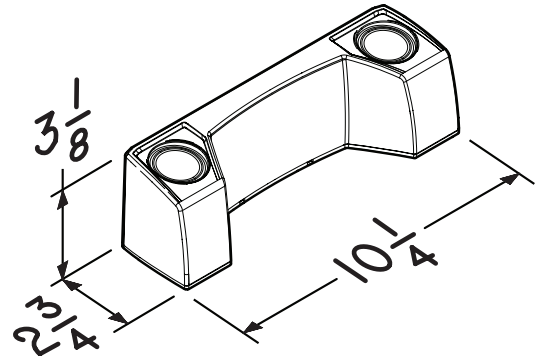
FOR USE WITH THESE MODELS

BROAN MODELS	NUTONE MODELS	BROAN MODELS CANADA	NUTONE MODELS CANADA
QT110E	QTN110E	QTR090C	QTN130EC *
QT130E *	QTN110LE	QTR090LC	QTRN090C
QT130LE *	QTN130E *	QTR090RC	QTRN110C
QT140LE *	QTN130LE	QTR100C	QTRN110LC
QT140E *	QTN80E	QTR110C	QTRN130EC *
QTR080	QTN80L	QTR110LC	QTREN070C
QTR080L	QTREN080	QTR110RC	QTREN070FLC
QTR110	QTREN080FLT	QTRE050RF	QTREN080C
QTR110L	QTREN110	QTRE070C	QTREN090C
QT110LE	QTREN110FLT	QTRE070FLC	QTREN090FLC
QTR140	QTRN080	QTRE075C	QTREN110C
QTR140L	QTRN080L	QTRE080C	QTREN110FLC
QTRE080	QTRN110	QTRE080C2S	QTXEN050C
QTRE080FLT	QTRN110L	QTRE090C	QTXEN080C
QTRE080R	QTN130LE1 *	QTRE090FLC	QTXEN090C
QTRE110	QTXEN050	QTRE110C	QTXEN110C
QTRE110FLT	QTXEN080	QTRE110RC	QTXEN150C *
QTRE110FLFT	QTXEN080FLT	QTRE110RF	
QTXE050	QTXEN110	QTRE110FLC	
QTXE080	QTXEN110FLT	QTXE050C	
QTXE080FLT	QTXEN150 *	QTXE080C	
QTXE110	QTXEN150FLT *	QTXE090C	
QTXE110FLT	QTREN080F	QTXE110C	
QTXE150 *	QTREN080FLFT	QTXE150C *	
QTXE150FLT *	QTREN110F	FQTR110C	
QTR050F	QTREN110FLFT	FQTRE050C	
QTR080F	QTRN050F	FQTRE070C	
QTR110F	QTRN080F	FQTRE080C	
QTRE080F	QTRN110F	FQTRE110C	
QTRE080FLFT	QTXRN000HF	FQTRE110MG	
QTRE110F	QTXRN000HL	FQTXE050C	
QT80E		FQTXE110C	
QT80L			
QT90E			
QT90L			
SSQTXE080			
SSQTXE110			

* The SPKACC speaker accessory WILL ONLY FIT these models if the models were manufactured **before** October 2015. These models have one of two styles of metal motor bracket shown in the SPKACC installation manual.

The SPKACC speaker accessory WILL NOT FIT these models if the models were manufactured **after** October 2015. These models have the motor surrounded by a round, black plastic housing/casing.

DIMENSIONS



The *Bluetooth*® word mark and logos are registered trademarks owned by *Bluetooth*® SIG, Inc. and any use of such marks by Broan-NuTone LLC is under license. Other trademark and trade names are those of their respective owners.

NOTE: This equipment has been tested and found to comply with the limits for a Class B digital device, pursuant to Part 15 of the FCC Rules. These limits are designed to provide reasonable protection against harmful interference in a residential installation. This equipment generates, uses and can radiate radio frequency energy and, if not installed and used in accordance with the instructions, may cause harmful interference to radio communications. However, there is no guarantee that interference will not occur in a particular installation. If this equipment does cause harmful interference to radio or television reception, which can be determined by turning the equipment off and on, the user is encouraged to try to correct the interference by one or more of the following measures:

- Reorient or relocate the receiving antenna.
- Increase the separation between the equipment and receiver.
- Connect the equipment into an outlet on a circuit different from that to which the receiver is connected.
- Consult the dealer or an experienced radio/TV technician for help.

This device complies with Part 15 of the FCC Rules and RSS-210 of Canada. Operation is subject to the following two conditions:

(1) This device may not cause interference, and (2) this device must accept any interference received, including interference that may cause undesired operation.

FCC ID: 2ADLL-99528551 IC: 2143B-99528551

This *Bluetooth*® wireless technology enabled Speaker complies with FCC radiation exposure limits set forth for an uncontrolled environment. End users must follow the specific operating instructions for satisfying exposure compliance. This speaker must not be co-located or operate in conjunction with any other antenna or transmitter.

Changes or modifications not expressly approved by the party responsible for compliance could void the user's authority to operate the equipment.

BROAN® NuTone®

Broan-NuTone LLC Hartford, Wisconsin www.broan.com 800-558-1711 www.nutone.com 888-336-3948