

MODEL OL-1H



WARNING

WARNING — THE INSTALLATION MUST BE CARRIED OUT BY A QUALIFIED ELECTRICIAN.

1. LED Security Lights are suitable for using in dry and damp locations
2. Please keep the LED Security Lights away from any corrosive substance, and please use dry cloth when you clean it
3. LED Security Lights can only be installed by a qualified electrician
4. Before installation or maintenance, please disconnect the power to prevent electric shock

Application Notice

1. To reduce the risk of death, personal injury or property damage from fire, electric shock, falling parts, cuts / abrasions and other hazards, please read all warnings and instructions included with and on this product prior to installation
2. For commercial installation, service and maintenance of this product should be performed by a qualified, licensed electrician
3. For residential installation, if you are unsure about the installation or maintenance of this product, consult a qualified licensed electrician
4. DO NOT mount the unit against flammable surfaces
5. This security light is compatible with ORTECH OL-SWH sensor
6. The security light should NOT be used in areas with limited ventilation or high ambient temperatures
7. This product is intended to be connected to a properly installed and grounded UL listed junction box

WARNING — RISK OF ELECTRICAL SHOCK

- Turn OFF electrical power at fuse or circuit breaker box before wiring product to the power supply
- Verify if the supply voltage is correct before installing (110V-240V)
- Make all electrical and grounded connections in accordance with the National Electric Code and any applicable local code requirements
- All wiring connections should be capped with UL listed wire connectors

WARNING — RISK OF PRODUCT DAMAGE

- NEVER connect components with power ON
- DO NOT mount or support product in a manner that can cut the outer jacket or damage the wire insulation
- Avoid covering LED products with insulation, foam or other materials that will prevent convection or conduction cooling
- NEVER connect an LED product directly to dimmer packs, occupancy sensors, timing devices, or other related control devices, unless individual product specifications deem otherwise
- DO NOT exceed product's maximum temperatures unless individual product deems otherwise
- LED products are Polarity Sensitive. Ensure proper polarity before installation
- Electrostatic Discharge (ESD), can cause damage to LED products. Wear personal grounding equipment during installation and service of the product
- DO NOT touch the individual electronic components, as it may cause ESD (Electronic Discharge). ESD will shorten lamp lifetime or alter performance

WARNING — RISK OF INJURY

- Wear gloves and safety glasses at ALL TIMES when removing fixture from carton, installing or servicing the product
- Avoid direct eye exposure to the light source while it is ON. LED lights are extremely bright, under no circumstances should you stare directly into an LED light, as it may cause irreparable damage to the eyes
- Please dispose of packaging materials and account for all small parts as these can be hazardous to small children

WARNING — RISK OF BURN

- Allow fixture to cool completely before handling. DO NOT touch enclosure of light source
- DO NOT exceed maximum wattage marked on the label
- Keep combustible and other materials that can burn away from the light, lamp / lens

MODEL OL-1H

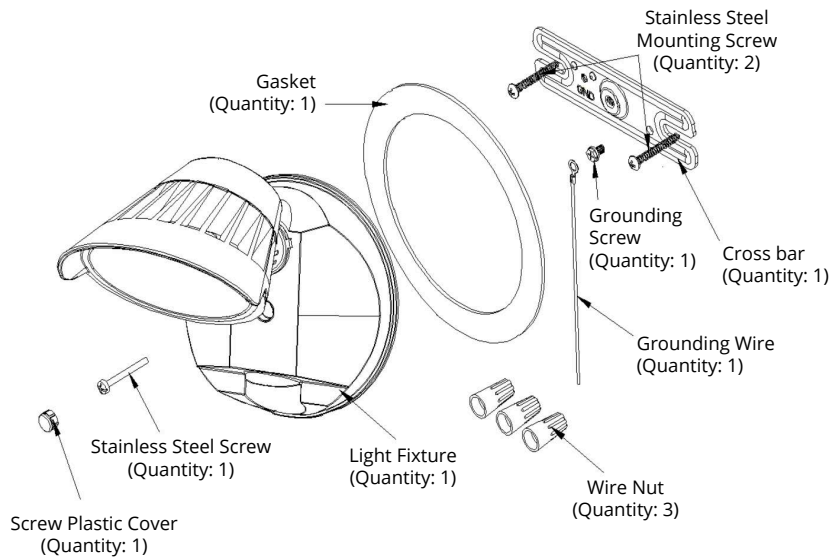
CAUTION

PLEASE READ INSTRUCTION BEFORE COMMENCING INSTALLATION AND RETAIN FOR FUTURE REFERENCES.

Electrical products can cause death or injury, or damage to property.

If in any doubt about the installation or use of this product, consult a competent electrician.

INSTALLATION GUIDE



** Silicon Sealant required (not included)

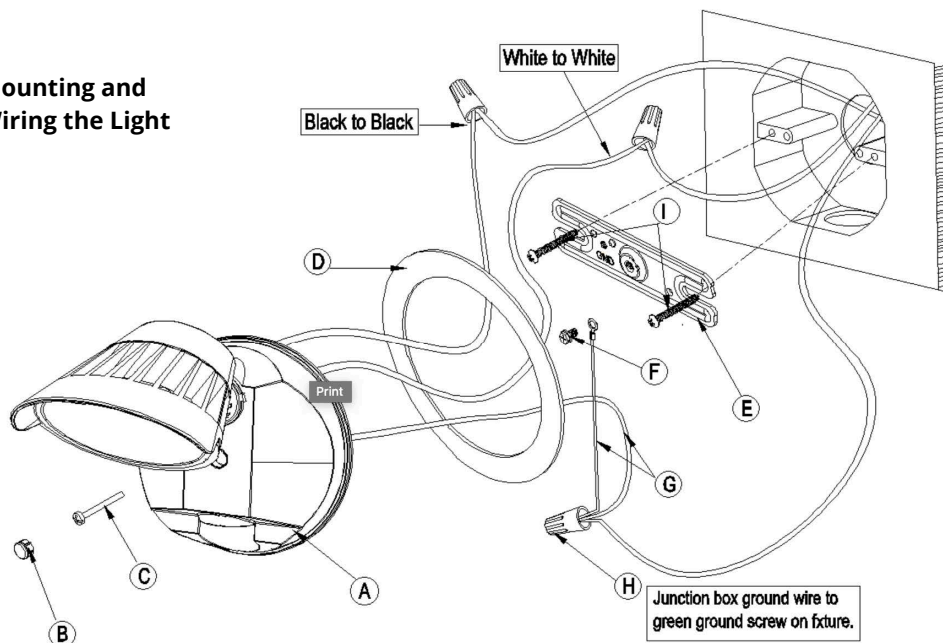
Tool Required for Installation

- Phillips screw driver and level

DO NOT MOUNT ON THE GROUND.

Recommended installatio height is 6-1/2 ft to 10 ft.

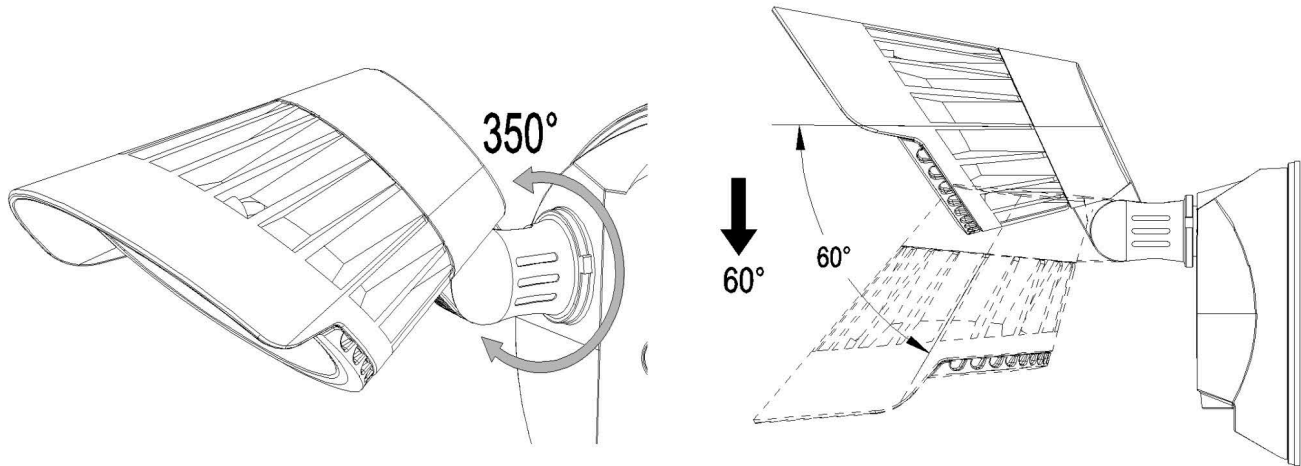
Mounting and Wiring the Light



1. Turn OFF power to the circuit breaker box. DO NOT rely on only the switch power being turned OFF
2. Install the cross bar (E) to the junction box and secure with the (2) mounting screws (F). If installing to a wall or building, pre-drill holes and use appropriate masonry plugs. Then, install the cross bar to the surface using the (2) mounting screws (F)
3. On the cross bar, you will see a GREEN / YELLOW wire (labeled GND). This is your ground wire. Use a wire nut (H) to connect to the house ground wire (typically copper). For proper connection, place wire nut over wires and twist clockwise until tight
4. Connect supply wires with wire nuts (H) as shown in the figure on the left. BLACK supply wire connects to the BLACK power supply wire (Live). WHITE product wire connects to the WHITE supply wire (Neutral)
5. You may use the optional gasket (D) at this time round
6. Install the light fixture (A) to the cross bar grounding screw (F). Use the silicone sealant around the perimeter of the light to seal for moisture
7. Turn on your electricity after installation has been completed

INSTALLATION GUIDE

Adjusting Your Light Heads



Your light heads can be adjusted by turning the individual light head to desired position. You can also adjust your light head up and down to your desired position.

TROUBLESHOOTING

If the light does NOT come on:

- Check if the power is turned ON at the switch and breaker
- Check if the product is properly wired
- Check if the line voltage is correct (110V-240V)

MAINTENANCE

To clean the surface of the light, use mild soap and water. DO NOT use scouring pads, powders, steel wool or any other abrasive materials.

ORTECH reserves the right to modify at any time, without notice, any or all of our product's features, designs, components and specifications to meet market changes.