

609L UltimateTaste french door refrigerator, natural stainless with ice & water & convertible compartment

RRP AUS \$4,999.00



Product Details

FEATURES

TasteSealFlex -23C to 7C

TasteLockAuto

TwinTech Cooling System

WaterStream with Autolce

Connectivity

TasteGuard deodorizer

Asymmetrical Doors

FlexStor

BENEFITS

THE COMPLETE COOLING SOLUTION

The TasteSealFlex convertible compartment easily adapts to the temperature required, giving you the freedom to store everything from cheeses & deli meats to cold drinks and ice-cream. You can even store meat and fish without freezing (chilled -2C), avoiding the need for inconvenient defrosting. Always find the right space to keep your food fresh and full of flavour by choosing one of the five temperature settings from -23C to 7C.

FRESH FRUIT AND VEG, ALL WEEK

TasteLockAuto crispers do what they say they do - lock in taste automatically. These sealed crispers with automatic humidity control maintain the right humidity levels for fruit and vegetables, removing excess moisture, reducing condensation and keeping your produce fresher for longer.

OPTIMAL COOLING, OPTIMAL TASTE

TwinTech Cooling technology keeps your fresh food tasty and juicy for longer. Two independent cooling systems optimise humidity levels in your fridge to ensure that cold air doesn't dry out your fresh food, maintaining taste and texture for longer.

ICE AND WATER ON DEMAND

Enjoy chilled water and cubed or crushed ice through the fridge door whenever you need a refreshing drink. You don't even have to compromise on storage space with the slim design.

COOL, CALM AND CONNECTED

Fresh ingredients form the most important part of every meal. With Electrolux Life App you can be confident that your produce is stored in optimal conditions by remotely monitoring and adjusting the temperature of the fridge. Set the TasteSealFlex convertible zone to 0C when you're out buying drinks so that you have the ideal storage conditions when you get home. With automatic push notifications, you'll never have to worry about leaving the fridge door open or forgetting to change the water filter.

CLEAN, HYGIENIC STORAGE

TasteGuard uses a carbon filter to keep your fridge fresh, hygienic and free from unwanted odours* that can change the taste and smell of your food.

MINIMISE THE ESCAPE

Cool air escapes every time that you open the fridge or freezer door, slowing down the preservation process. Our SmartSplit door design has created 2 separate openings - one for larger items and the other for smaller. This means you don't have to open both at the same time to access items, preventing cool air from escaping & maximising energy usage.

CUSTOMISABLE DOOR BIN DESIGN

Customise your fridge just the way you want it. FlexStor makes it simple to arrange the fridge to your needs with adjustable door bins and shelves. Different sized compartments effortlessly accommodate items big or small

Specifications

PRODUCT PROFILE

Domestic warranty details (yrs)	2
Additional domestic warranty for the sealed refrigeration system only (yrs)	3
Refrigerator Type	french door
Exterior door finish	Stainless steel
Handle design	integrated
Fridge door opening	left and right
Cooling system	frost free
Freezer door opening	left and right
Refrigerant	R600a
Dispenser type	ice and water
Plumbed water supply required	Yes

DIMENSIONS

Total height (mm)	1782
Cabinet height (mm)	1756
Total width (mm)	913
Cabinet width (mm)	908
Total depth (mm)	749
Cabinet depth (mm)	625
Depth door open 90degree (mm)	1189
Air space above cabinet (mm)	25
Food Compartment Capacity (L) - AS/NZS 4474.1 2007 (IEC 62552- 2015) *	371
Freezer Compartment Capacity (L) - AS/NZS 4474.1 2007 (IEC 62552- 2015) *	147
Convertible Compartment Capacity (L) - AS/NZS 4474.1 2007 (IEC 62552- 2015) *	91
Total Capacity (L) - AS/NZS 4474.1 2007 (IEC 62552- 2015) *	609

DIMENSIONS

Food compartment capacity (gross in litres)	413
--	-----

Freezer compartment capacity (gross in litres)	167
---	-----

Convertible Compartment/Drawer capacity (gross in litres)	100
---	-----

Total Gross Capacity (L)	680
--------------------------	-----

Food compartment capacity (net in litres)	363
--	-----

ENERGY

Energy Star Rating - AS/NZS 4474.1 2007 (IEC 62552- 2015) *	3.5
---	-----

Energy Consumption (kWh/year) - AS/NZS 4474.1 2007 (IEC 62552- 2015) *	501
---	-----

Energy Star Rating AS/NZS 4474.2:2009	3.0
--	-----

Energy consumption AS/NZS 4474.2:2009 (kWh/yr)	560
--	-----

REFRIGERATOR SYSTEM

Controls	electronic (with display)
----------	---------------------------

Controls location	internal
-------------------	----------

Controls type	touch
---------------	-------

Control functions	quick freeze function,quick chill,lock,sabbath mode,ice maker
-------------------	---

Door alarm	fridge and freezer
------------	--------------------

FOOD COMPARTMENT

SHELVING

Shelf material	glass
Type of shelf	spill safe shelf,adjustable shelf
Flip up shelf	1
1/3 width shelves	1
2/3 width shelves	1

LIGHTING

Feature lighting	LED
Main light	LED

FOOD COMPARTMENT DOOR

BINS

Deep bottle bin	1
Shallow bin	2
1/3 width bins	1

CRISPERS

Crisper lid/shelf	plastic
Crispers Runner system	rollers
Crisper features	automatic humidity control,fully sealed
1/3 width crisper	1
2/3 width crisper	1

OTHER PROPERTIES

Other Properties-FOOD COMPARTMENT	Egg tray,Snack zone
-----------------------------------	---------------------

DAIRY COMPARTMENT

Half width, with lid	1
----------------------	---

Expandable bin 1

SPECIAL COMPARTMENTS

Small items bin 1

CONVERTIBLE COMPARTMENT/DRAWER

SHELVING

Shelving glass shelf

Type of shelf slide out shelf with wine rack

Number of shelves 2

FREEZER COMPARTMENT

ICE FACILITY

Ice Maker Automatic

BASKET/DRAWER

EXTERNAL

Dispenser through door ice and water

CONVERTIBLE COMPARTMENT DOOR

Door bins - full width 2

SHELVING

Shelving glass shelf

Type of shelf slide out shelf

Number of shelves 2

LIGHTING

Full width freezer drawer 1

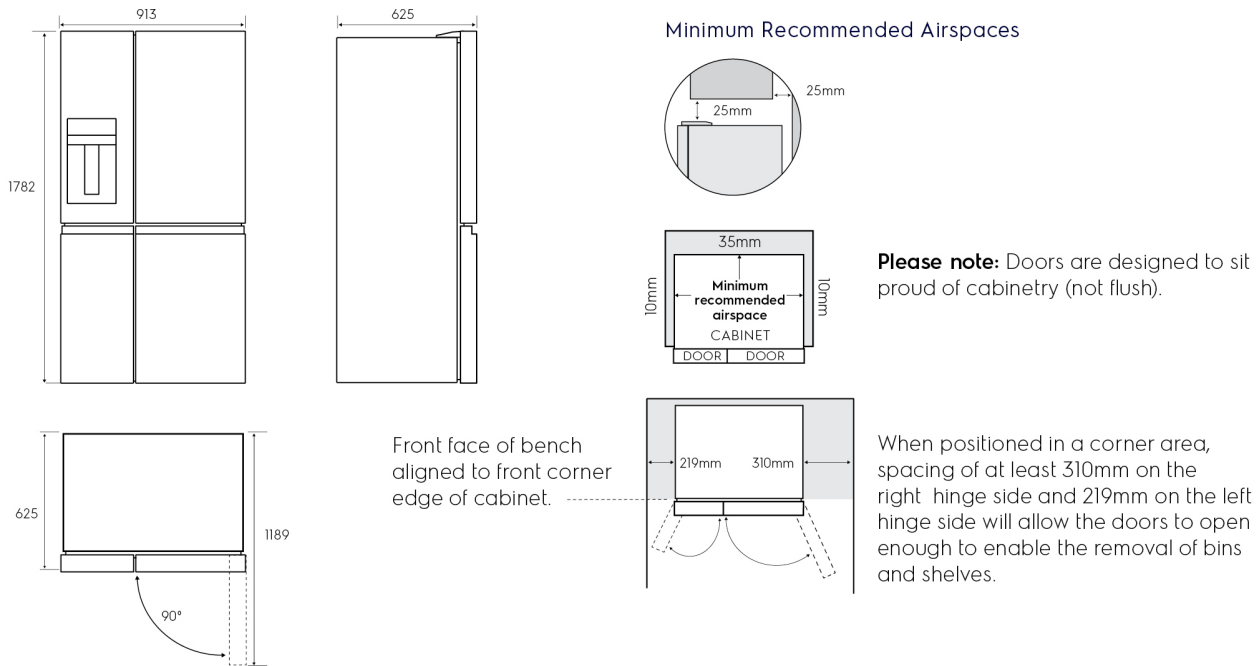
Main light LED

FREEZER DOOR

INTERNAL

Freezer door bins - full width 2

Dimensions



Dimensions	Product Height	Product Width	Product Depth	Product Depth (Door Open)	Airspace	Side - both	Top	Behind
EHE5267BC	1782	913	625	1189	EHE5267BC	10	25	35
EHE5267SC	1782	913	625	1189	EHE5267SC	10	25	35

For connection kit installation instructions go to electrolux.com.au

Important! Please ensure that the access to your kitchen (including doorways, corridors, island benches, etc) allows sufficient clearance to move your fridge into position.

Please note! Dimensions to be used as a guide only. All customers MUST refer to the user manual supplied with the product for detailed installation instructions.

© 2021 Electrolux Home Products Pty Ltd. E_DIM_EQE6870BA-SA_Sep21

Terms and Conditions

IMPORTANT

This is a guide of product dimensions only. For complete installation instructions, refer to the manual provided with product.

PRODUCT INFORMATION

The descriptors and illustrations in this publication apply to the specific products and models described as at the date of issue. Under our policy of continuous product development, product specifications may change without notice. Prospective purchasers should therefore check with their retailer to ensure this publication correctly describes the products that are being offered for sale. All information supplied is to be used for general reference purposes only and is on the understanding that Electrolux Home Products Pty Ltd (Australia) and Electrolux (NZ) Ltd (New Zealand) will not be liable for any loss, liability or damage of whatever kind arising as a result of reliance on such information. Colours of products illustrated are as close as printing limitations allow. Electrolux will at all times comply with its obligations pursuant to law including Trade Practices (Australian Consumer Law) Act and Regulations.

WARRANTY

This warranty only applies to Appliances purchased and used in Australia or New Zealand and used in normal domestic applications and is in addition to (and does not exclude, restrict, or modify in any way) any non-excludable statutory warranties in Australia or New Zealand. All warranties are subject to the conditions set out in the warranty card accompanying the product when purchased.

ELECTROLUX HOME PRODUCTS AUSTRALIA

telephone: 1300 363 640

fax: 1800 350 067

email: customercare@electrolux.com.au

web: www.electrolux.com.au

ELECTROLUX HOME PRODUCTS NEW ZEALAND

telephone: 09 573 2230

fax: 09 573 2221

email: customercare@electrolux.co.nz

web: www.electrolux.co.nz