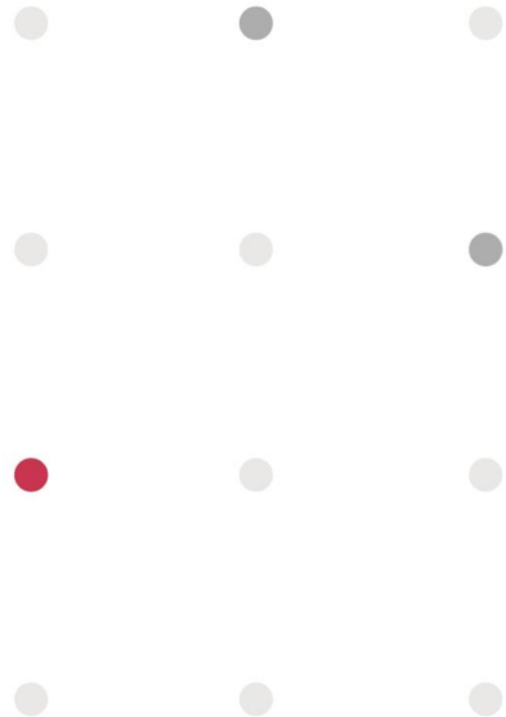


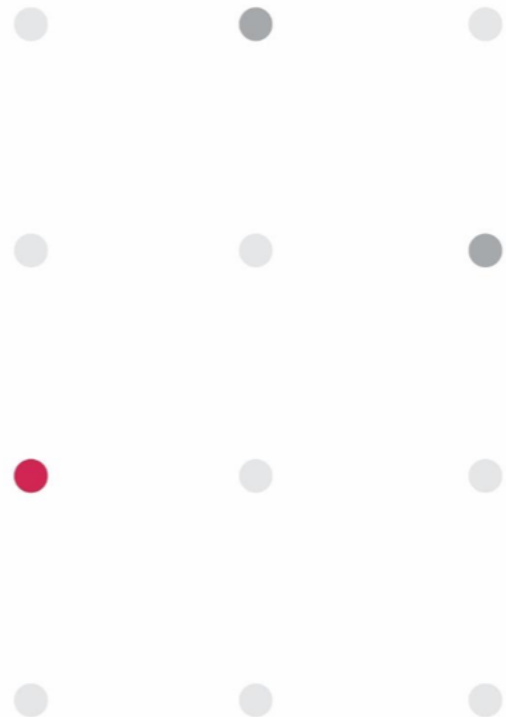
Manufacturer: SHENZHEN XINDINGXING ELEC. CO., LTD.

Address: 8F, Building 4, Honghui Industrial Park, Liuxian 2nd Road, Bao'an District, Shenzhen



PSA

PASSIVE SYSTEM ALLIANCE
INPAQ TECHNOLOGY CO., LTD.



K7

Presented by
FangTan Jin

INPAQ Technology Co., Ltd.

2024/01/22

Version	Date	Description	Author
V01	2024/01/22	New Release	FangTan Jin

OUTLINE

1. Measurement Information

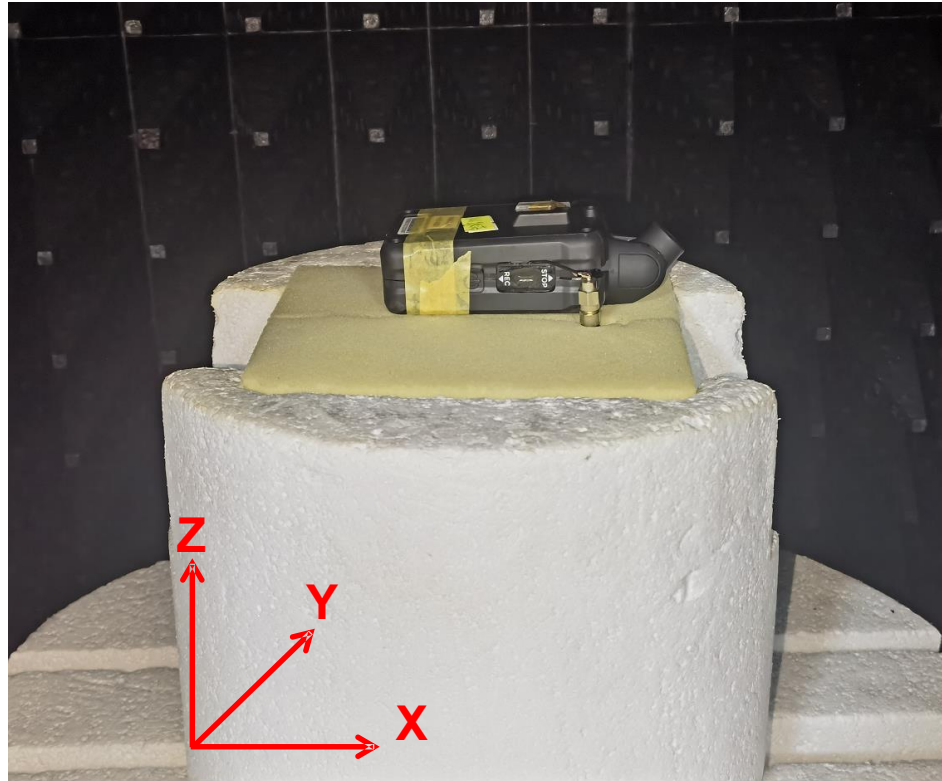
- 1.1 Experimental Setup
- 1.2 Antenna Solution Detail
- 1.3 Antenna Type

2. Antenna Characteristics

- 2.1 S-Parameter
- 2.2 Antenna Efficiency and Peak Gain
- 2.3 3D Pattern & 2D Radiation Patterns
- 2.4 Summary Table

1. Measurement Information

1.1 Experimental Setup

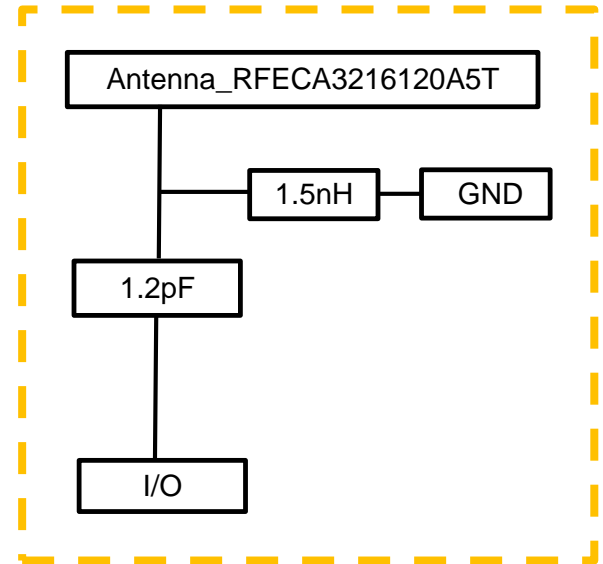


1. Measurement Information

1.2 Antenna Solution Detail

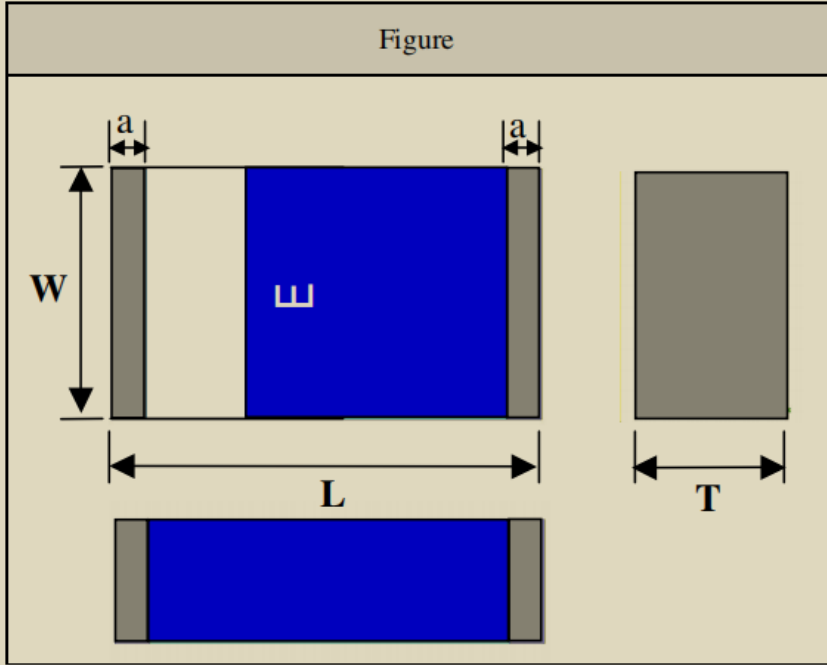


Matching values



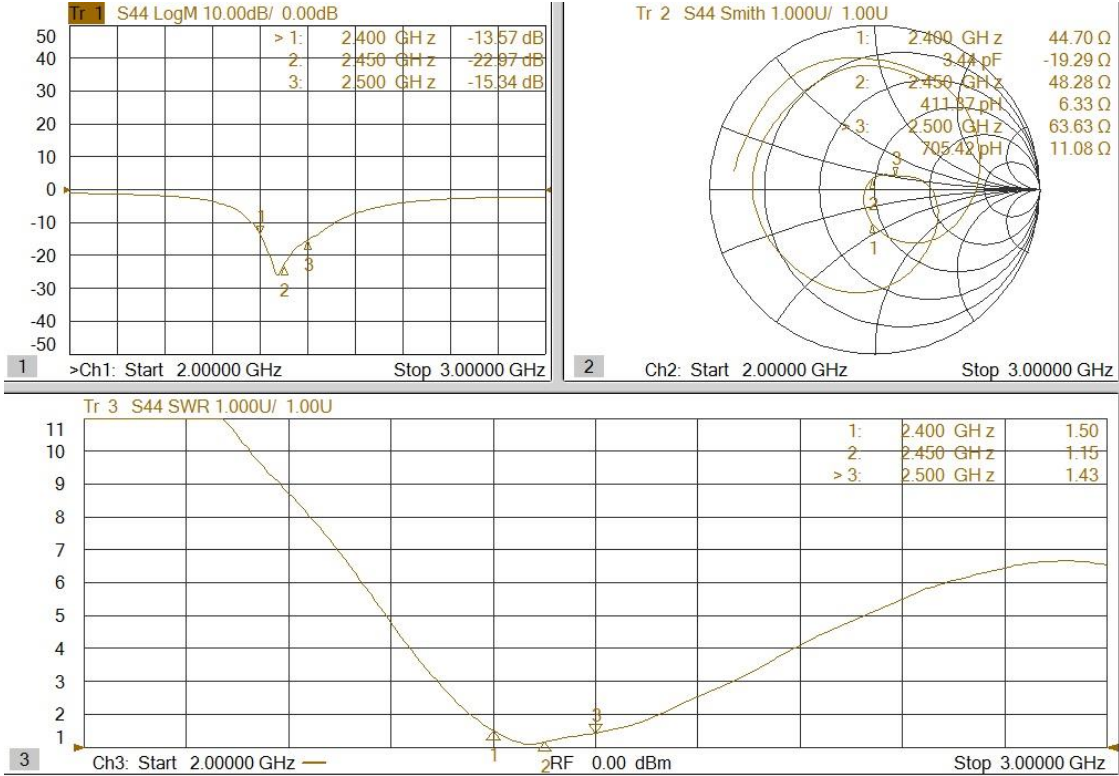
1. Measurement Information

1.3 Antenna Type: Chip antenna

Figure	Symbol	Dimension (mm)
 <p>The figure illustrates the dimensions of a chip antenna. It includes three views: a top view showing a blue rectangular antenna element with two gray pads on the left and right sides, with dimensions L (total length), W (width), and a (pad width); a side view showing the thickness T; and a bottom view showing the antenna element and pads from the reverse side.</p>	L	3.20 ± 0.20
	W	1.60 ± 0.10
	T	1.20 ± 0.10
	a	0.25 ± 0.15

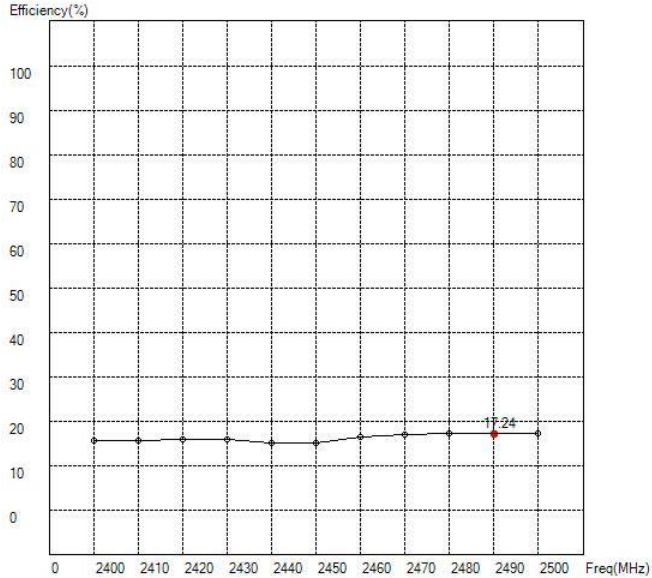
2. Antenna Characteristics

2.1 S-Parameter

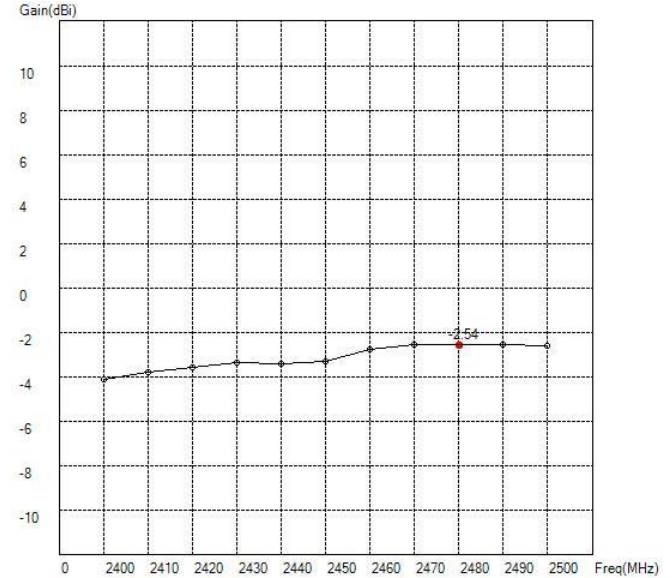


2. Antenna Characteristics

2.2 Antenna Efficiency and Peak Gain



Maximum Efficiency at 2490MHz : 17.24 %

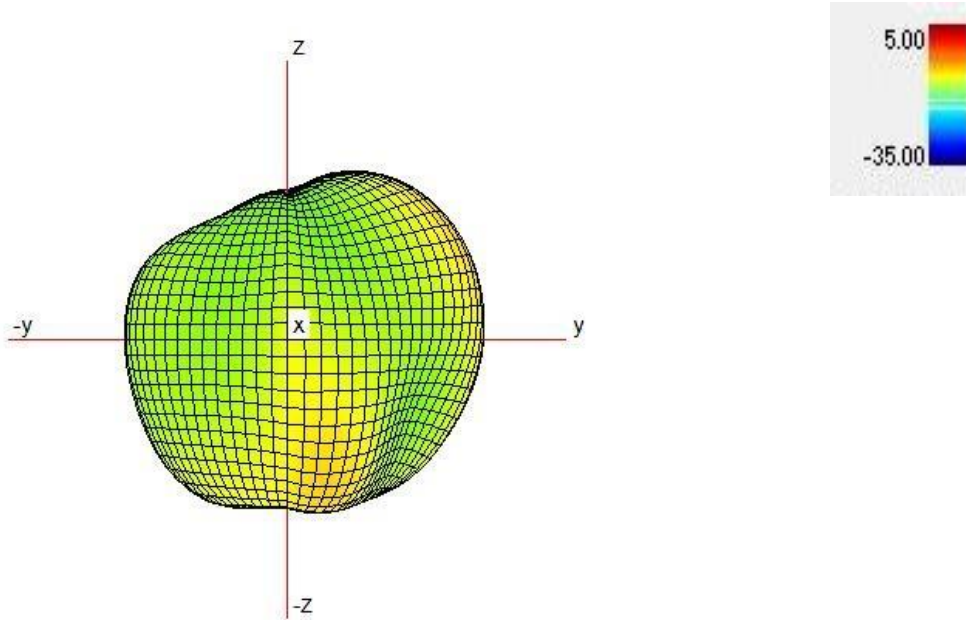


Maximum Peak Gain at 2480 MHz : -2.54 dBi

2. Antenna Characteristics

2.3 3D Pattern

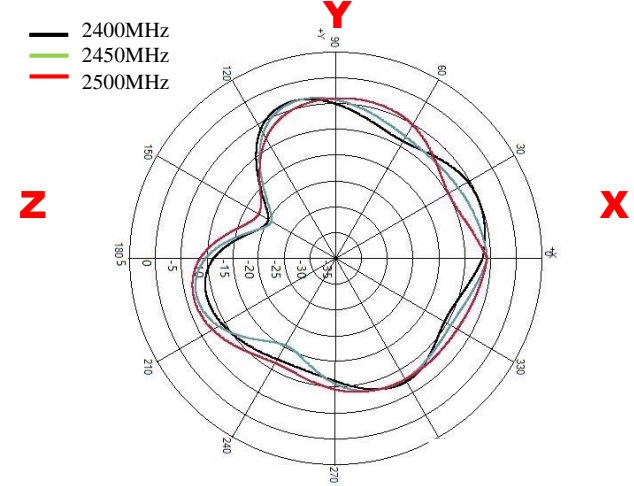
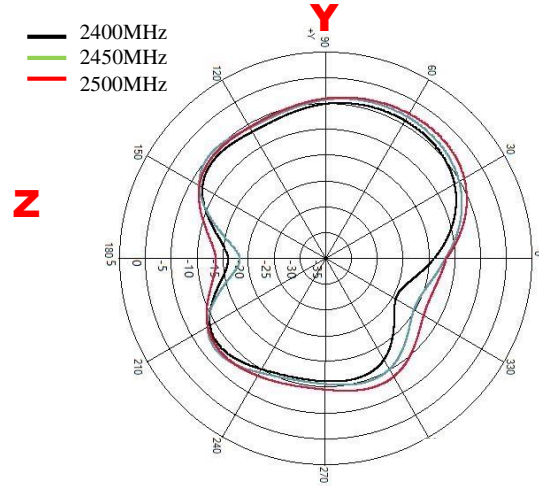
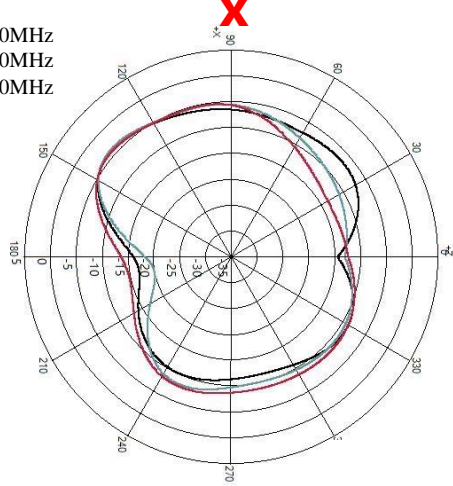
2450 MHz



2. Antenna Characteristics

2.3 2D Radiation Patterns

— 2400MHz
— 2450MHz
— 2500MHz



	ZX plane		ZY plane		XY plane	
Frequency [MHz]	Max Value [dBi]	Average [dBi]	Max Value [dBi]	Average [dBi]	Max Value [dBi]	Average [dBi]
2400	-5.11	-8.48	-4.18	-8.27	-5.03	-8.21
2450	-4.96	-8.49	-3.27	-7.29	-4.25	-8.13
2500	-5.04	-8.37	-2.60	-6.71	-3.98	-7.59

2. Antenna Characteristics

2.4 Summary Table

ANT				
Frequency (MHz)	2400	2450	2480	2500
Efficiency (%)	15.55	15.21	17.19	17.19
Peak gain (dBi)	-4.12	-3.27	-2.54	-2.60

Thank you

This message and any attachments are confidential and may be legally privileged. Any unauthorized review, use or distribution by anyone other than the intended recipient is strictly prohibited. If you are not the intended recipient, please immediately notify the sender, completely delete this documents, and destroy all copies. Your cooperation will be highly appreciated.