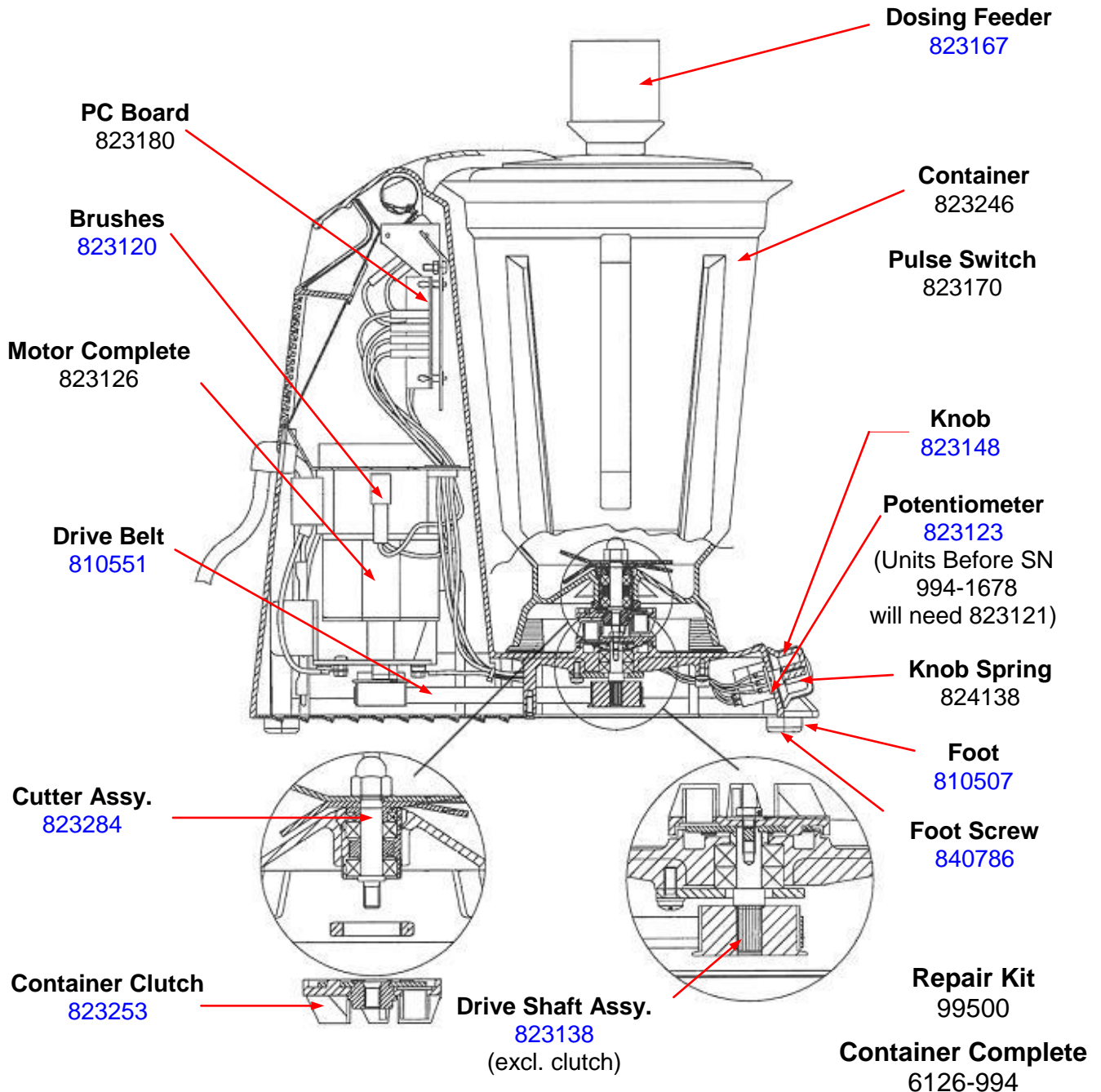


Parts and Accessories Diagram

PROPRIETARY RIGHTS NOTICE This document and all information contained within it is the property of Hamilton Beach/Proctor-Silex, Inc. (HB/PS). It is confidential and proprietary and has been provided to you for a limited purpose. It must be returned upon request or destroyed as set forth in the Specification Notice. Disclosure, reproduction or use of this document and any information contained within it, in full or in part, for any purpose is forbidden without the prior written consent of HB/PS. No photographs may be taken of any article fabricated or assembled from this document without the prior written consent of HB/PS.



HAMILTON BEACH / PROCTOR-SILEX, INC. 4421 WATERFRONT DRIVE GLEN ALLEN, VA 23060		DOC9436 - Remove Obsolete Parts			ISSUE CODE	
DRAWN BY: SN	ENG. IN CHG. TAG	DATE: 10/19/2018	APPROVED BY: DOC9436			
INITIAL USE: 994	Initial Product Type	SHEET 1of1	DRAWING NO. 5100147XX	REV. B		