

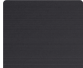
DVG46BG6500V

SAMSUNG

7.5 cu. ft. AI Smart Dial Gas Dryer with Super Speed Dry and MultiControl™



Available Color

 **Brushed Black**
DVG46BG6500V

Features

- Super Speed Dry
- AI Smart Dial
- MultiControl™
- Steam Sanitize+
- ENERGY STAR® Certified
- Flexible Installation
- Wi-Fi Connectivity¹
- Sensor Dry
- Large 7.5 cu. ft. Capacity
- Vent Sensor
- Lint Filter Indicator
- Premium Tempered Glass Door
- Interior Drum Light
- Reversible Dryer Door
- ADA Compliant²
- 19 Total Drying Cycles
- 14 Options
- 5 Temperature Settings
- 9 Timed Dry Settings
- 3-Way Venting

Convenience

- Child Lock
- Filter Check Indicator

Electrical Requirements

120 V / 60 Hz
15 Amps



Specifications

19 Total Drying Cycles:

Steam Refresh, Wrinkle Away, Steam Sanitize+, Super Speed, Eco Normal, Normal, Heavy Duty, Towels, Permanent Press, Activewear, Bedding, Delicates, Wool, Shirts, Denim, Time Dry, Air Fluff, Small Load, Rack Dry

14 Options:

Damp Alert, Wrinkle Prevent, AntiStatic, My Cycles, Smart Control, Eco Dry, Drum Light, Child Lock, Alarm, AI Pattern, Wi-Fi, Language, Vent Blockage Test, Factory Reset

5 Temperature Settings:

High, Medium, Medium Low, Low, Extra Low

5 Dry Levels:

Very Dry, More Dry, Normal Dry, Less Dry, Damp Dry

Warranty

One (1) Year Parts and Labor

Product Dimensions & Weight (WxHxD)

Dimensions: 27" x 38³/₄" x 31⁵/₁₆"
Weight: 119 lbs

Shipping Dimensions & Weight (WxHxD)

Dimensions: 29³/₈" x 42⁹/₁₆" x 33¹/₂"
Weight: 125.7 lbs

| Gas Dryer | Model # | UPC Code |
|-----------------|--------------|--------------|
| Brushed Black | DVG46BG6500V | 887276660172 |
| Electric Dryer | | |
| Brushed Black | DVE46BG6500V | 887276660073 |
| Matching Washer | | |
| Brushed Black | WF46BG6500AV | 887276659794 |

| Optional Accessories | Model # | UPC Code |
|------------------------------------|---------|--------------|
| Brushed Black Pedestal | WE402NV | 887276310145 |
| Brushed Black Riser | WE272NV | 887276197630 |
| MultiControl™ Kit and Stacking Kit | SKK-8MC | 887276597959 |
| Vent Kit | DV-2A | 887276146416 |
| Gas to Propane Converter Kit | LPKIT-4 | 887276352787 |

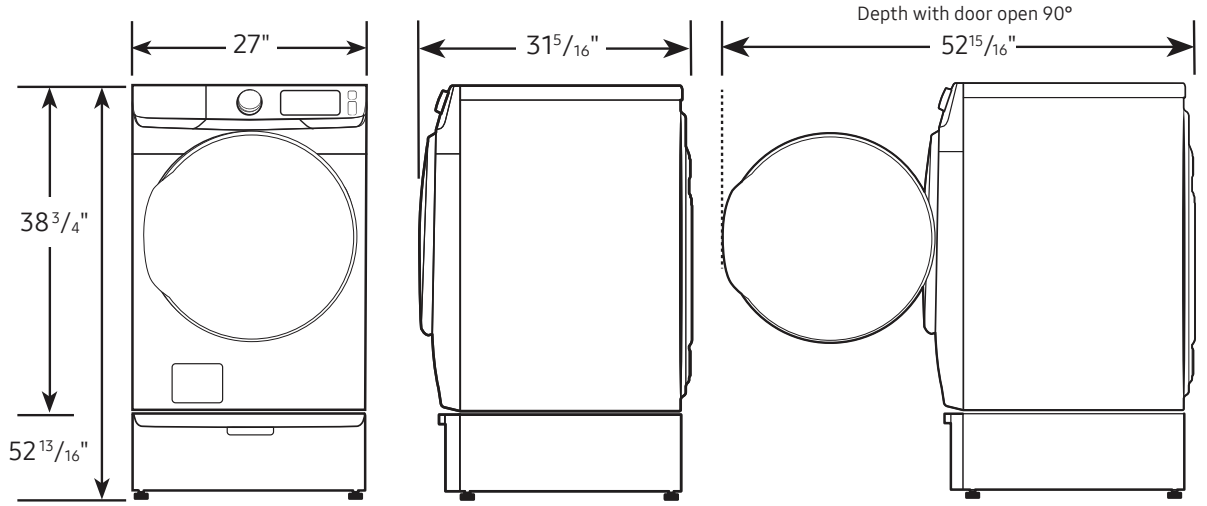
¹Requires wireless network, Samsung account and SmartThings App. The Samsung SmartThings App supports Android OS 4.0 (ICS) or later which is optimized for Samsung smartphones (Galaxy S and Galaxy Note series). This app also supports iOS 7 or later for iPhone models. SmartThings App available in App Store and Play Store. Only monitoring enabled on Gas Dryers for safety reasons.

²ADA Compliant when using 27" wide riser. (Riser model codes: WE272NV, WE272NW, WE272NC)

7.5 cu. ft. AI Smart Dial Gas Dryer with Super Speed Dry and MultiControl™

Dimensions

Required dimensions for installation with pedestal:

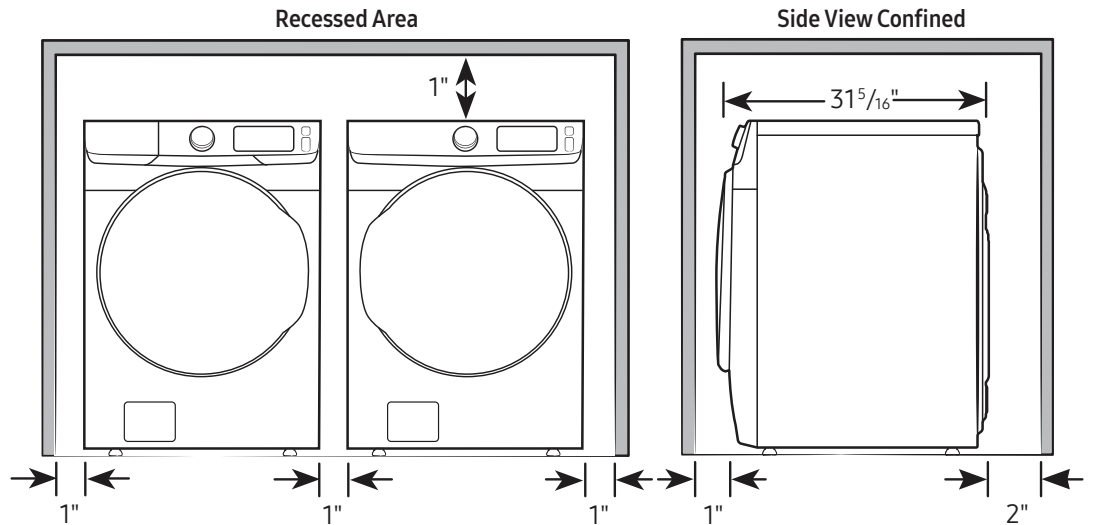


Installation Specifications – Side-by-Side

If the washer and dryer are installed together or the dryer alone, the closet front must have two unobstructed air openings for a combined minimum total area of 72-inch². Your washer alone does not require a specific air opening.

Alcove or closet installation

Minimum clearance for closet and alcove installations:



Connection Dimensions

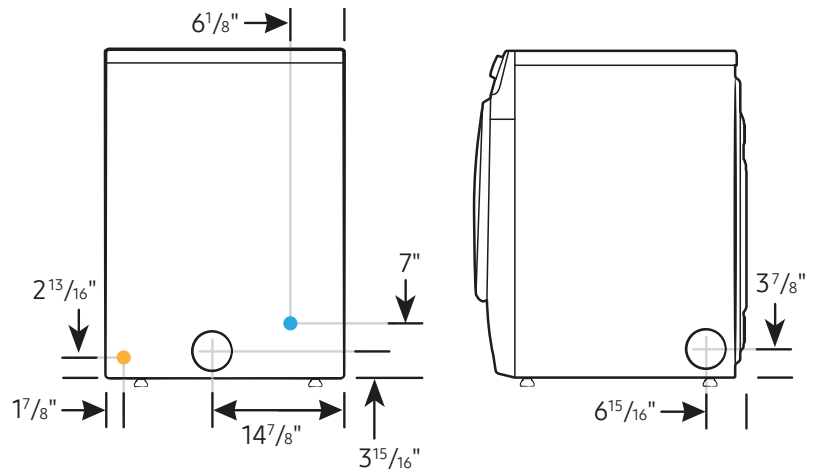
Back and side view of dryer

LEGEND:

- Cold Water Connection
- Gas Connection

Actual color may vary. Design, specifications, and color availability are subject to change without notice. Non-metric weights and measurements are approximate.

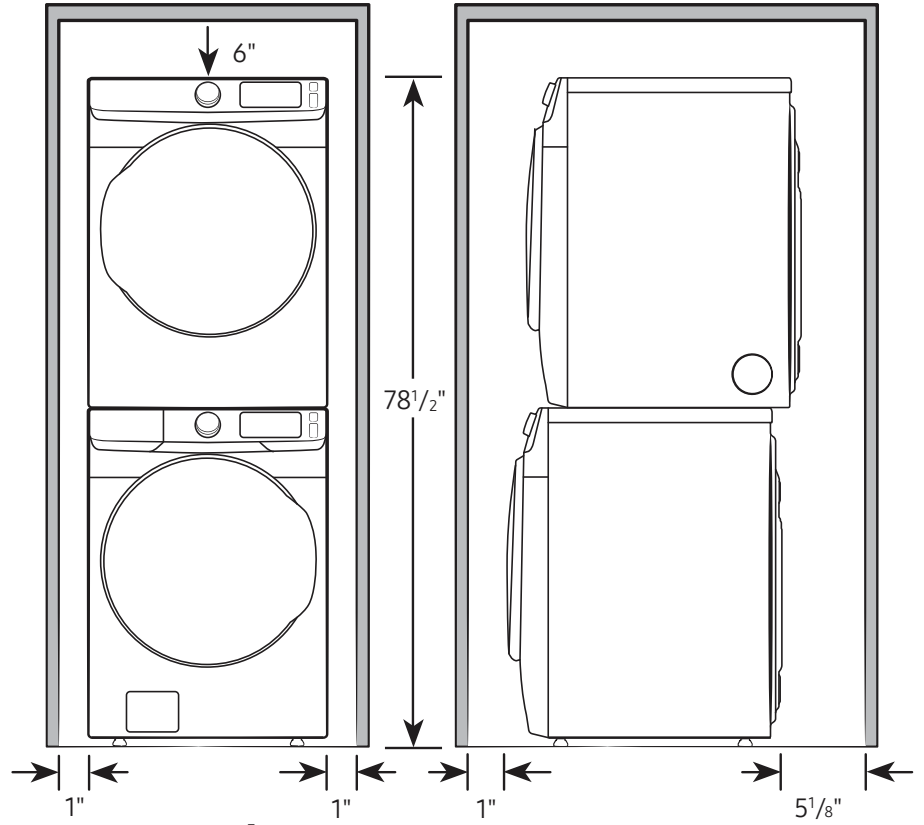
©2022 Samsung Electronics America, Inc., 85 Challenger Road, Ridgefield Park, NJ 07660. Tel: 800-SAMSUNG.samsung.com. Samsung is a registered trademark of Samsung Electronics Co., Ltd.



7.5 cu. ft. AI Smart Dial Gas Dryer with Super Speed Dry and MultiControl™

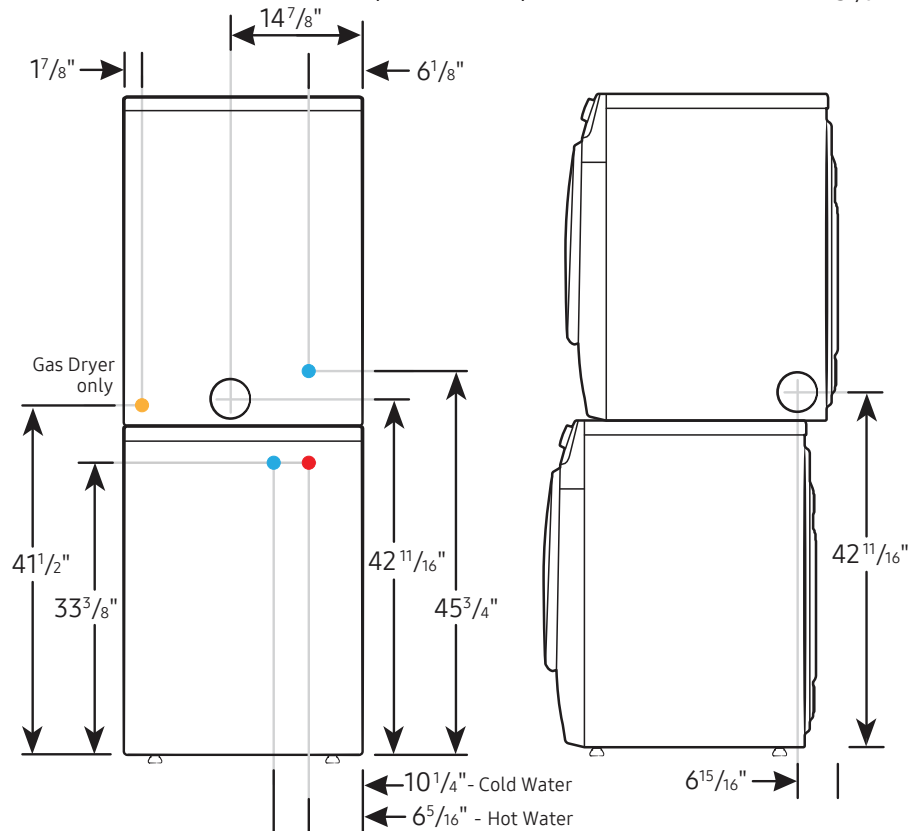
Installation Specifications – Stacked Pair

Clearances indicated are for stacked pairs. The closet front must have two unobstructed air openings for a combined minimum total area of 72-inch².



Connection Dimensions

Back and side views of stacked pair



- LEGEND:**
- Cold Water Connection
 - Hot Water Connection
 - Gas Connection

Actual color may vary. Design, specifications, and color availability are subject to change without notice. Non-metric weights and measurements are approximate.