



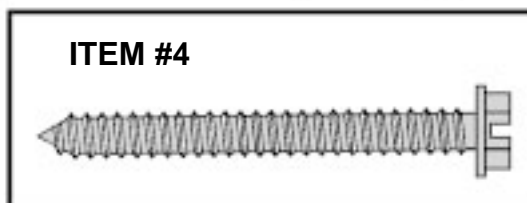
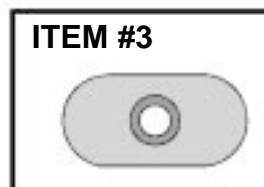
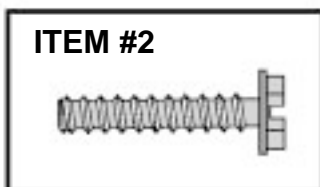
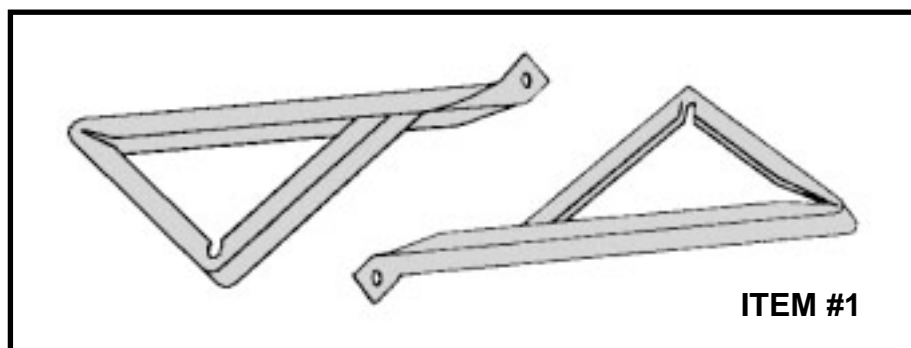
## THICK WALL SUPPORT BRACKET (TWSB) INSTALLATION INSTRUCTIONS

**NOTE:** The following instructions refer only to support bracket installation for thick wall applications. For all other remaining installation details and instructions, check the standard installation instructions provided with the room air conditioner.

The following instructions are for standard chassis model groups distinguished by the first two letters of the model designations and cabinet sizes listed below.

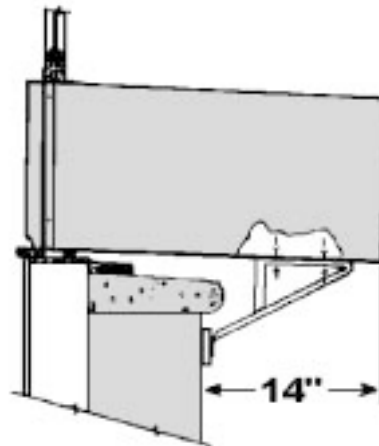
GROUPS	CABINET SIZE (H x W x D)
SMALL CHASSIS - SS, ES, YS, KS, RS, EK	15-15/16" x 25-15/16" x 27-3/8" (405 mm x 660 mm x 695 mm)
MEDIUM CHASSIS - SM, EM, YM, KM, RM, EK	17-15/16" x 25-15/16" x 27-3/8" (455 mm x 660 mm x 695 mm)

### ACCESSORY DETAIL

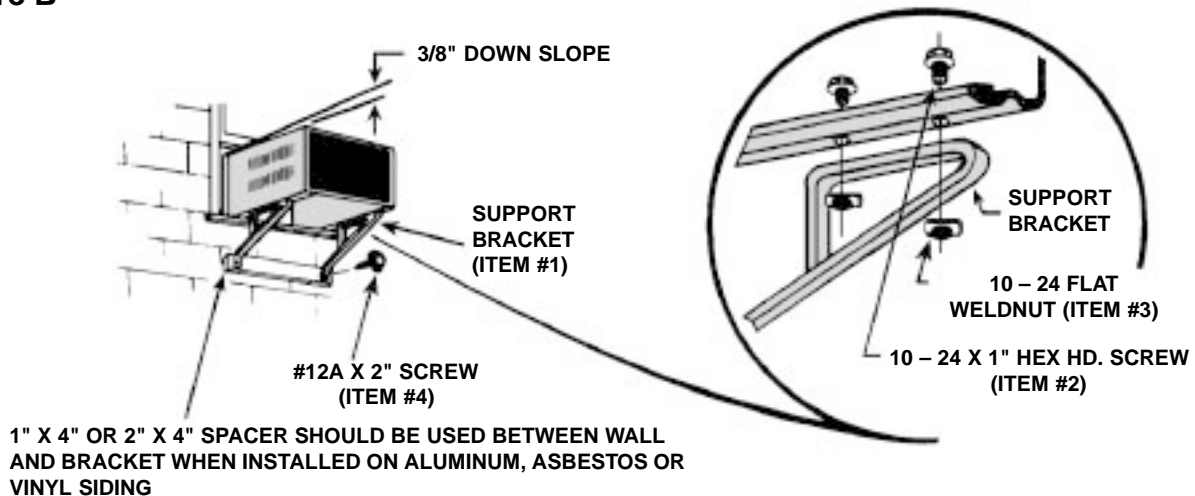


The brackets referenced in these instructions should only be used when the distance from the end of the air conditioner shell to the wall is less than 14 inches. (See Illustration A.) For dimensions in excess of 14 inches, the standard mounting brackets provided in the window installation kit should be used.

**Figure A**

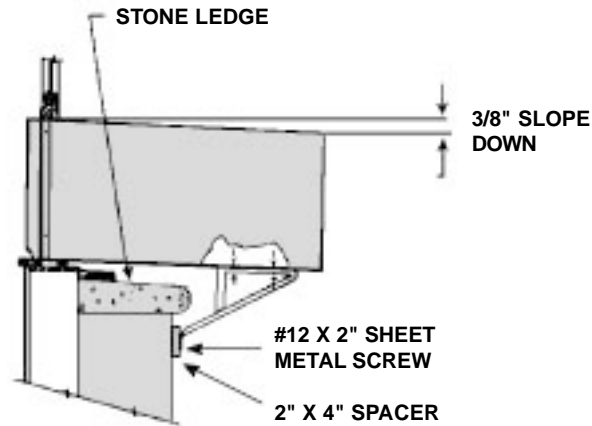


**Figure B**



**OUTSIDE SUPPORT MOUNTING:** Assemble the support brackets (Item #1) to the bottom rails of the cabinet with four (4) 10-24 1" long screws (Item #2) and four (4) 10-24 flat nuts (Item #3). Adjust the support brackets to bring the bottom pads in contact with the wall surface. **(A 1" x 4" or 2" x 4" SPACER SHOULD BE USED BETWEEN THE WALL AND THE SUPPORT BRACKETS WHEN INSTALLED ON ALUMINUM OR VINYL SIDING).** Drill 5/32" dia. pilot holes and secure the brackets to the wall with two (2) #12A x 2" long screws (Item #4). Adjust the support brackets to provide an approximate 3/8" down slope toward the outside for drainage. (See Figure B). Tighten all screws.

**Figure C**



This concludes the special instructions required for the Thick Wall Support Bracket Kit. At this point, continue to follow the standard instructions supplied with your air conditioner

### **ACCESSORIES AVAILABLE:**

#### **DC-2 DRAIN KIT - PART NO. 01900235**

In some installations, excess condensate water caused by extremely humid conditions, may result in an undesirable water drip such as on a patio or over an entryway. MODEL DC-2 DRAIN KIT (Part No. 01900-235) can be installed to drain the overflow.

#### **WINDOW INSTALLATION KITS**

TwinTemp or Heat/Cool room air conditioners are shipped without window mounting hardware because they are seldom mounted in the window. For those instances when these units are being mounted in the window, there are window installation kits available. Depending upon the chassis size for which an installation kit is desired, order:

- ✦ WKS for Small Chassis
- ✦ WIKM for Medium Chassis
- ✦ WIKL for Large Chassis

**THESE ACCESSORIES CAN BE ORDERED FROM YOUR FRIEDRICH DEALER.**

# **Friedrich**

**FRIEDRICH AIR CONDITIONING CO.**

- Post Office Box 1540 • San Antonio, Texas 78295-1540
- 4200 N. Pan Am Expressway • San Antonio, Texas 78218-5212
- (210) 357-4400 • FAX (210) 357-4480

Visit us on the Internet at [www.friedrich.com](http://www.friedrich.com)

Printed in the U.S.A.