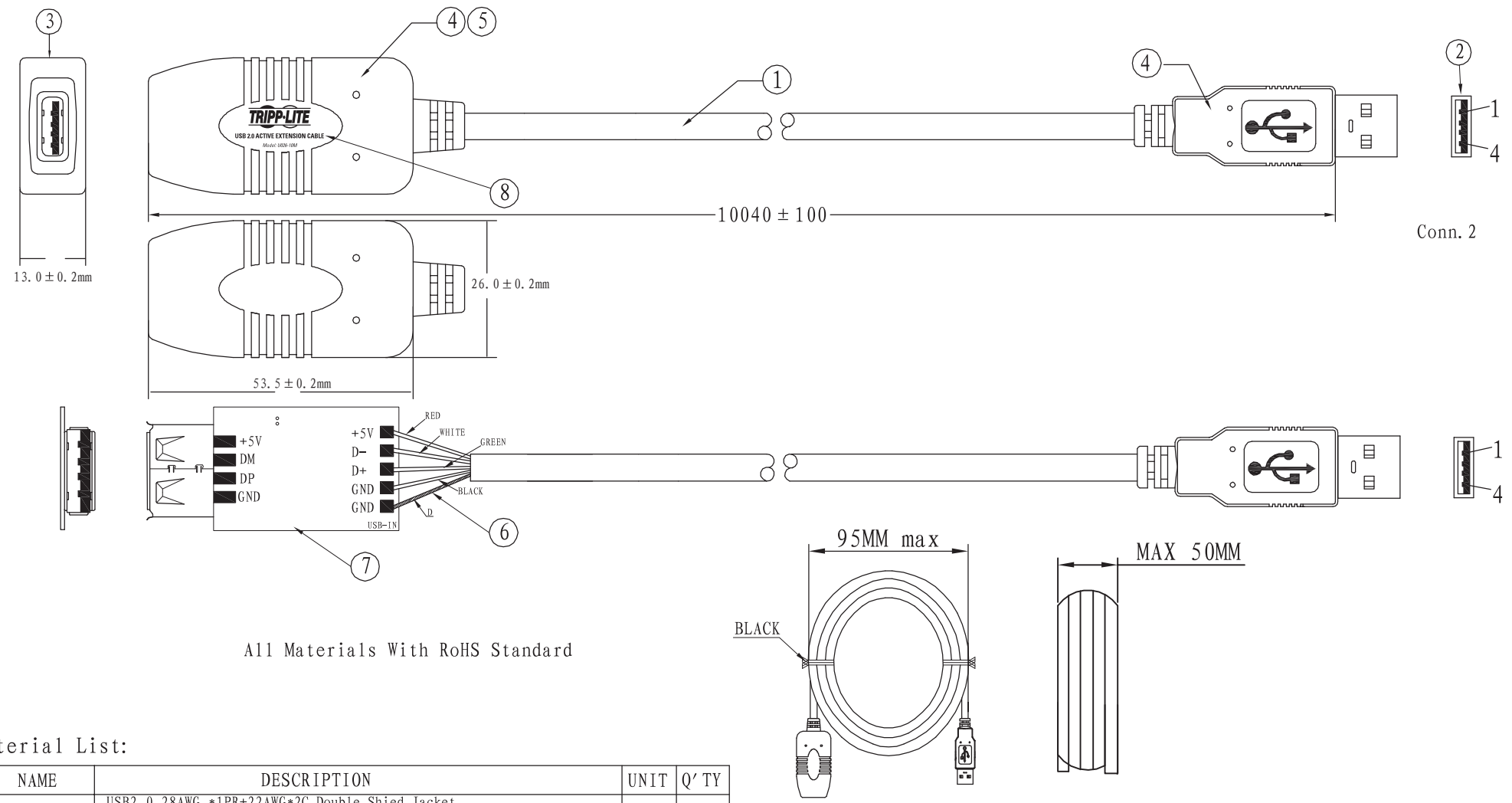


USB AM T/N:	A-002-004	REV	DATE	CHANGE BEFORE	CHANGES	DRAW
T/N:	Inner mould: A-022-004-A Outer mould: A-022-004-B	△	13. 01. 18			HuangPengFei



All Materials With RoHS Standard

Material List:

NO.	NAME	DESCRIPTION	UNIT	Q' TY
1	CABLE	USB2.0 28AWG *1PR+22AWG*2C Double Shield Jacket Color: transprence brown OD: 4.7	mm	10000
2	CONNECTOR	USB ("A") male Solder Type Insulation Color:White Pin Gold Plated Terminal:Shell Gold Plated	set	1
3	CONNECTOR	USB ("A") Female Solder Type Insulation Color:White Pin Gold Plated Terminal:Shell Nickel Plated	set	1
4	INNER MOLD	LD PE	g	5
5	OUTER MOLD	50P PVC COLOR : transprence brown	g	12
6	TUBE	OD: 0.8 L: 5mm	pcs	1
7	PCB	PCB	pcs	1
8	STICKER	23.5*11mm "TRIPP-LITE" <small>TRIPP-LITE CORPORATION</small>	pcs	1

REV: B	DRAWN BY:
UNIT: mm	CHECKED BY:
SCALE: NONE	APPROVED BY:
PART NO: U026-10M	