

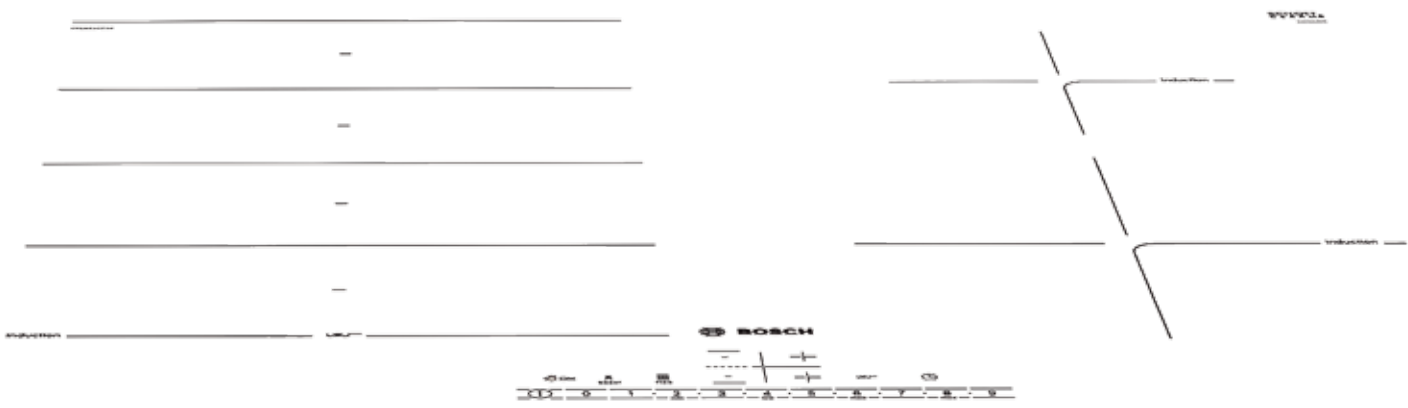
BOSCH

Invented for life



Your essential guide to technical diagrams.

For Ovens, Hobs and Hoods



Technical Diagrams | Series 8 Ovens

All descriptions and technical diagrams are intended as a guide only. For additional technical information, full dimensional and installation details, please refer to the instruction and installation manuals supplied with the appliance.

60cm Built-in Ovens

HBG633BS1B, HBG6753S1A, HBG635BB1J, HBG656RS1B, HSG636ES1, HNG6764S1A

The diagrams illustrate the dimensions and installation requirements for 60cm built-in ovens. Key features include:

- Top View Dimensions:**
 - Overall width: 595 mm
 - Internal width: 548 mm
 - Depth: 595 mm
 - Max. depth: 577 mm
 - Max. depth: 45 mm
 - Top panel depth: 405 mm
 - Top panel thickness: 19.5 mm
 - Top panel offset: 585⁺¹⁰ mm
 - Top panel offset: 550 mm
 - Top panel offset: 35 mm
 - Top panel offset: 35 mm
 - Top panel offset: 60 mm
 - Top panel offset: 560⁺⁸ mm
- Side View Dimensions:**
 - Overall height: 595 mm
 - Internal height: 535 mm
 - Max. height: 487.5 mm
 - Bottom offset: 7.5 mm
 - Top offset: 18 mm
 - Top offset: 19.5 mm
 - Top offset: 35 mm
- Detail A:** Shows the pivoting range of the fascia with dimensions: 19.5 mm, 18 mm, 75 mm, 0 mm, 19.5 mm, 10 mm, 15 mm, 0 mm, 30 mm, 55 mm, 65 mm, 70 mm.
- Installation with a hob:** Shows the required worktop thickness and minimum distance from the hob to the oven.
 - For recessed depth, see hob dimensional drawing.
 - Min. distance:
 - Induction hob: 5 mm
 - Gas hob: 5 mm
 - Electric hob: 2 mm
 - Worktop thickness: 577 mm
 - Min. worktop thickness: 600 mm
 - Bottom offset: 7.5 mm
- Worktop Thickness Requirements:**

If the appliance will be installed underneath a hob, the following worktop thicknesses (including substructure if necessary) must be taken into account.

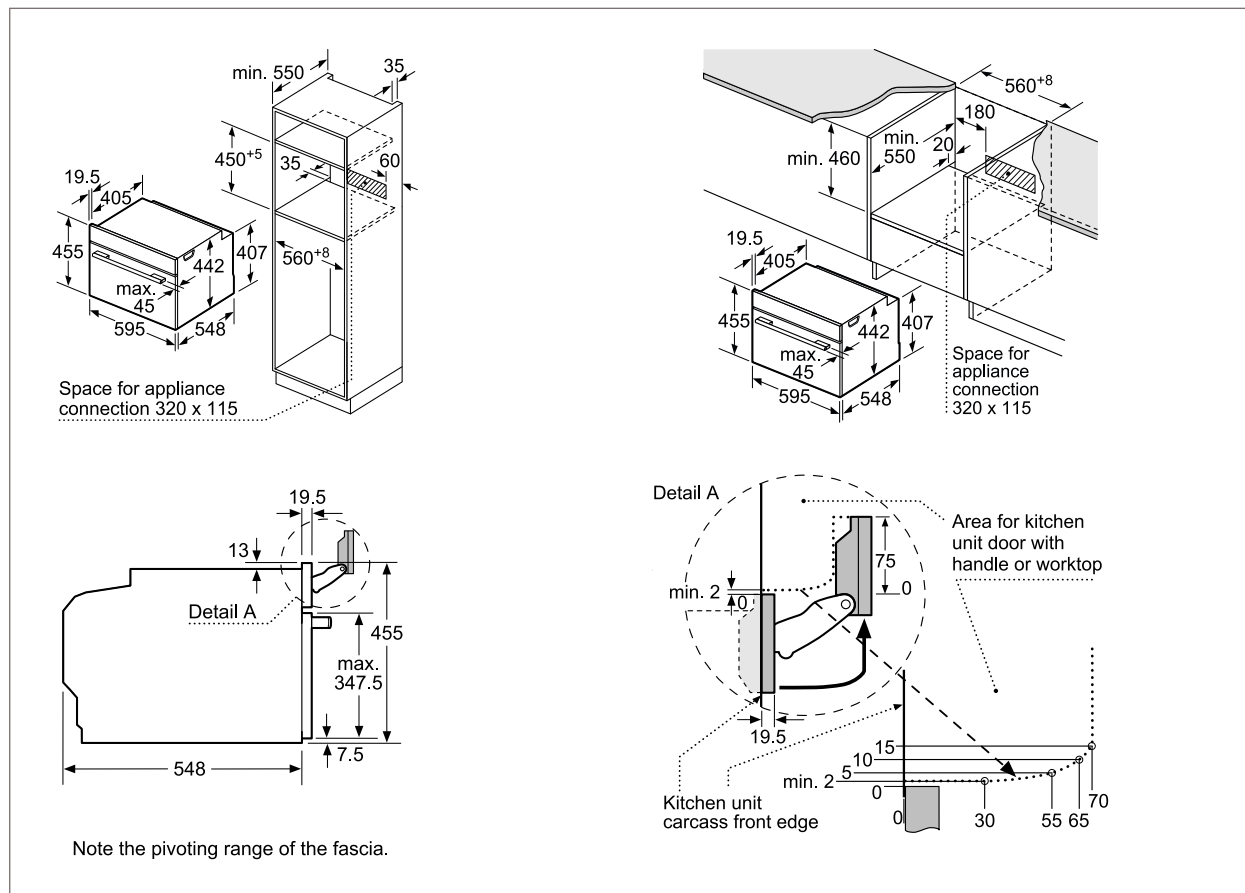
Hob type	min. worktop thickness	
	fitted	flush
Induction hob	37mm	38mm
Full surface induction hob	43mm	48mm
Gas hob	30mm	38mm
Electric hob	22mm	24mm

Technical Diagrams | Series 8 Ovens and Warming Drawer

All descriptions and technical diagrams are intended as a guide only. For additional technical information, full dimensional and installation details, please refer to the instruction and installation manuals supplied with the appliance.

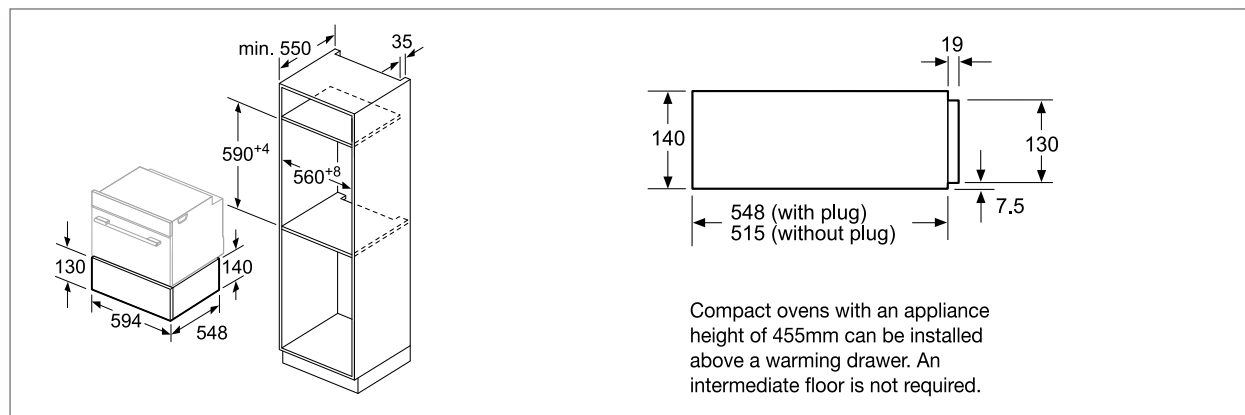
45cm Compact Built-in Ovens/Steamer

CDG634BS1, CMG633BS1B



14cm Warming Drawer

BIC630NS1B



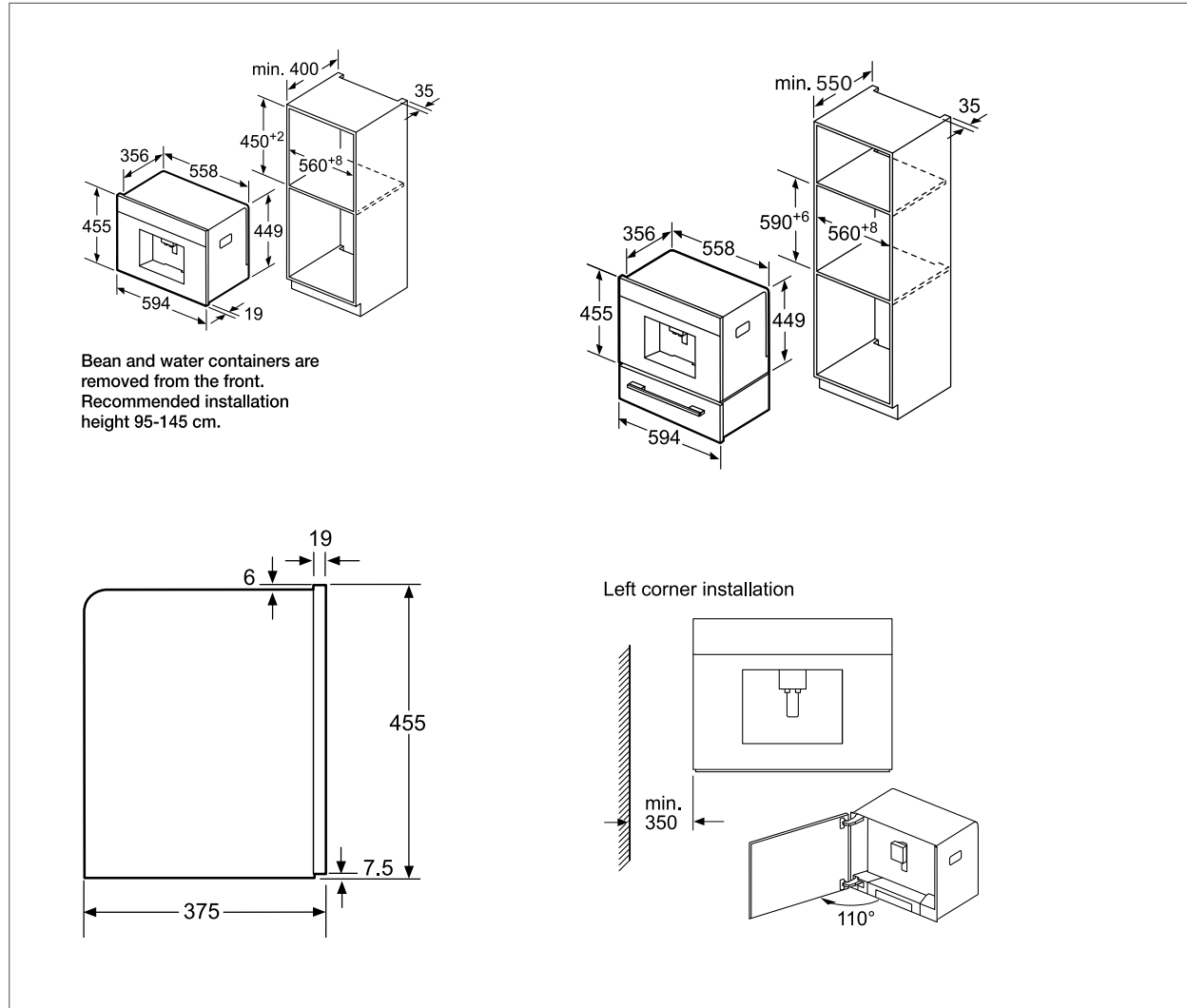
All measurements are in mm.

Technical Diagrams | 45cm Series 8 Coffee Machine

All descriptions and technical diagrams are intended as a guide only. For additional technical information, full dimensional and installation details, please refer to the instruction and installation manuals supplied with the appliance.

45cm Built-in Fully Automatic Coffee Machine

CTL636ES6

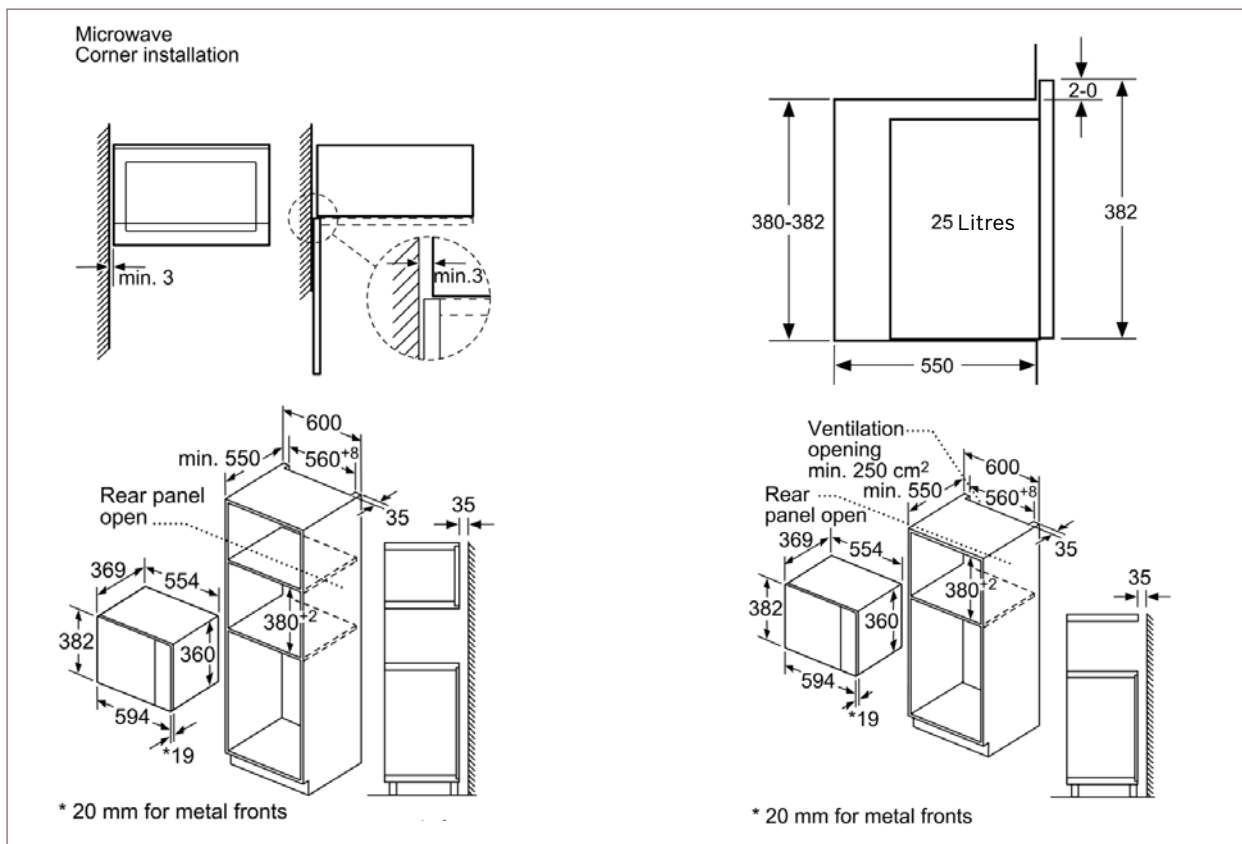


Technical Diagrams | Other Bosch Series Ovens

All descriptions and technical diagrams are intended as a guide only. For additional technical information, full dimensional and installation details, please refer to the instruction and installation manuals supplied with the appliance.

38cm Built-in Microwave Oven

BEL554MS0K

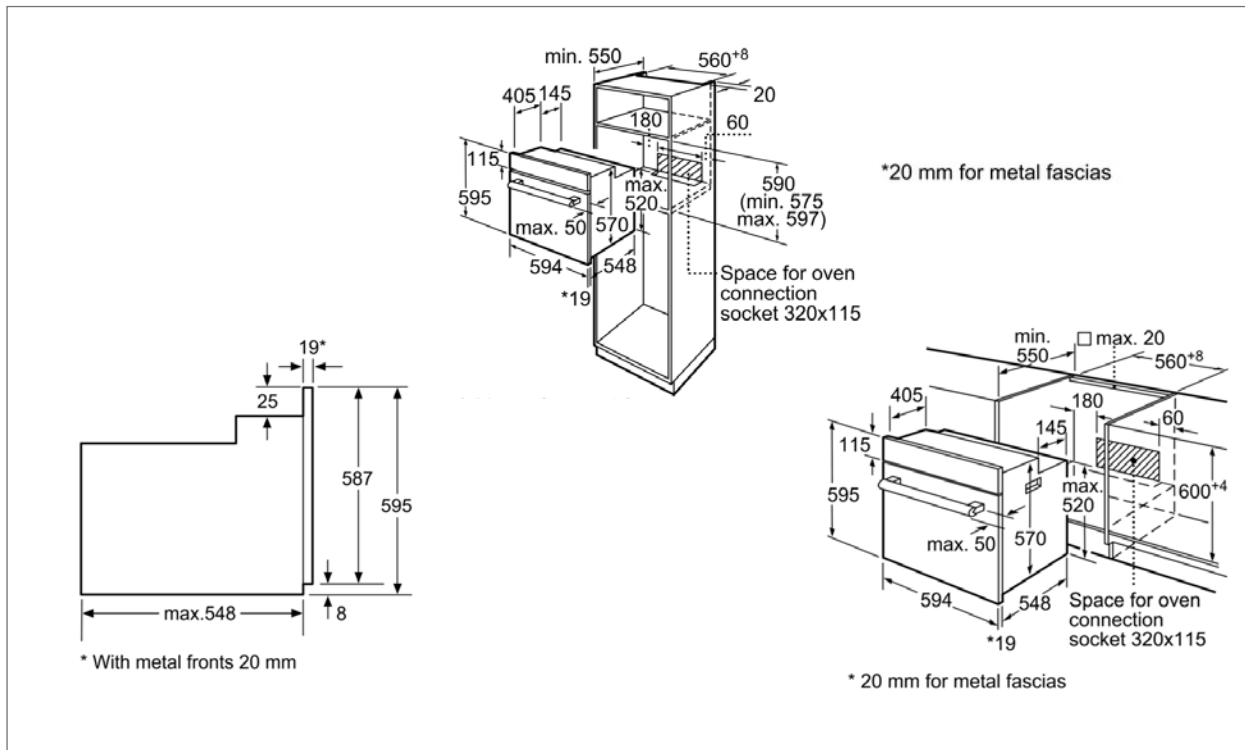


Technical Diagrams | Other Bosch Series Ovens

All descriptions and technical diagrams are intended as a guide only. For additional technical information, full dimensional and installation details, please refer to the instruction and installation manuals supplied with the appliance.

60cm Built-in Oven

HBF114BR0K, HBF134BS0K



Technical Diagrams | Other Bosch Series Ovens

All descriptions and technical diagrams are intended as a guide only. For additional technical information, full dimensional and installation details, please refer to the instruction and installation manuals supplied with the appliance.

60cm Built-in Oven

HBA5780S0B

Installation with a cooktop.

For recessed depth, see hob dimension and drawing

Clearance min.:
 Induction cooktop: 5 mm
 Gas cooktop: 5 mm
 Electric cooktop: 2 mm

min. 600

570

7.5

19.5

25

595

max. 487.5

548

7.5

min. 550

min. 35

585⁺¹⁰

min. 20

60

19.5

405

96

595

max. 50

570

535

560⁺⁸

Space for appliance hook-up 320 x 115

If the appliance is installed beneath a cooktop, the following countertop thickness (possibly incl. substructure) must be observed.

Cooktop Type	Min. Countertop Thickness	
	Fitted	Flush
Induction Cooktop	37mm	38mm
Full-surface Induction Cooktop	47mm	48mm
Gas Cooktop	30mm	38mm
Electric Cooktop	27mm	30mm

min. 600⁺⁴

min. 550

180

min. 20

19.5

405

96

595

max. 50

570

535

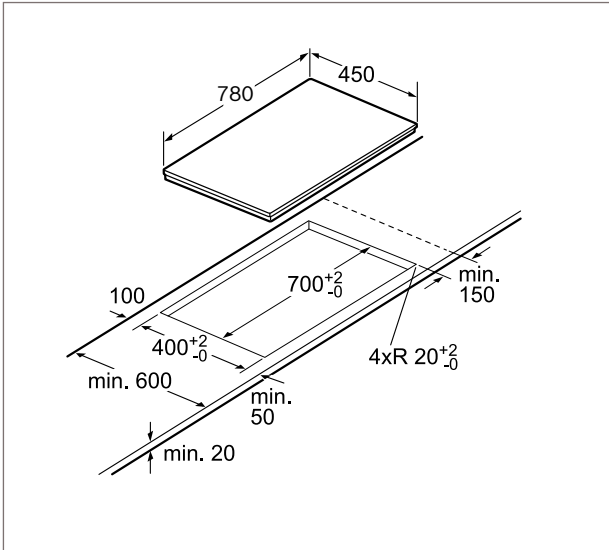
560⁺⁸

Space for appliance hook-up 320 x 115

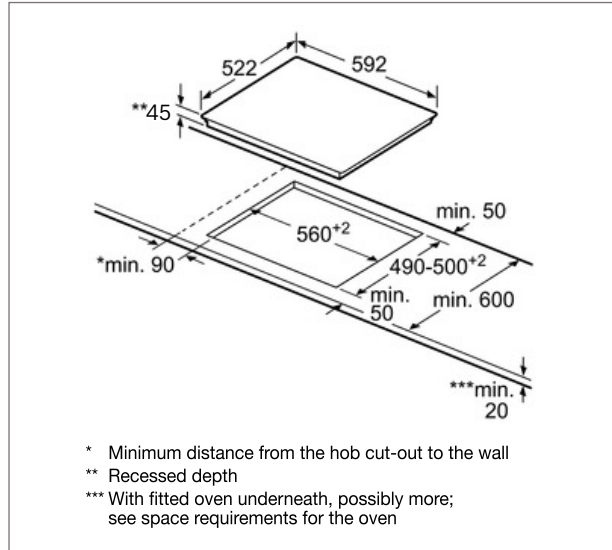
Technical Diagrams | Electric Hobs

All descriptions and technical diagrams are intended as a guide only. For additional technical information, full dimensional and installation details, please refer to the instruction and installation manuals supplied with the appliance.

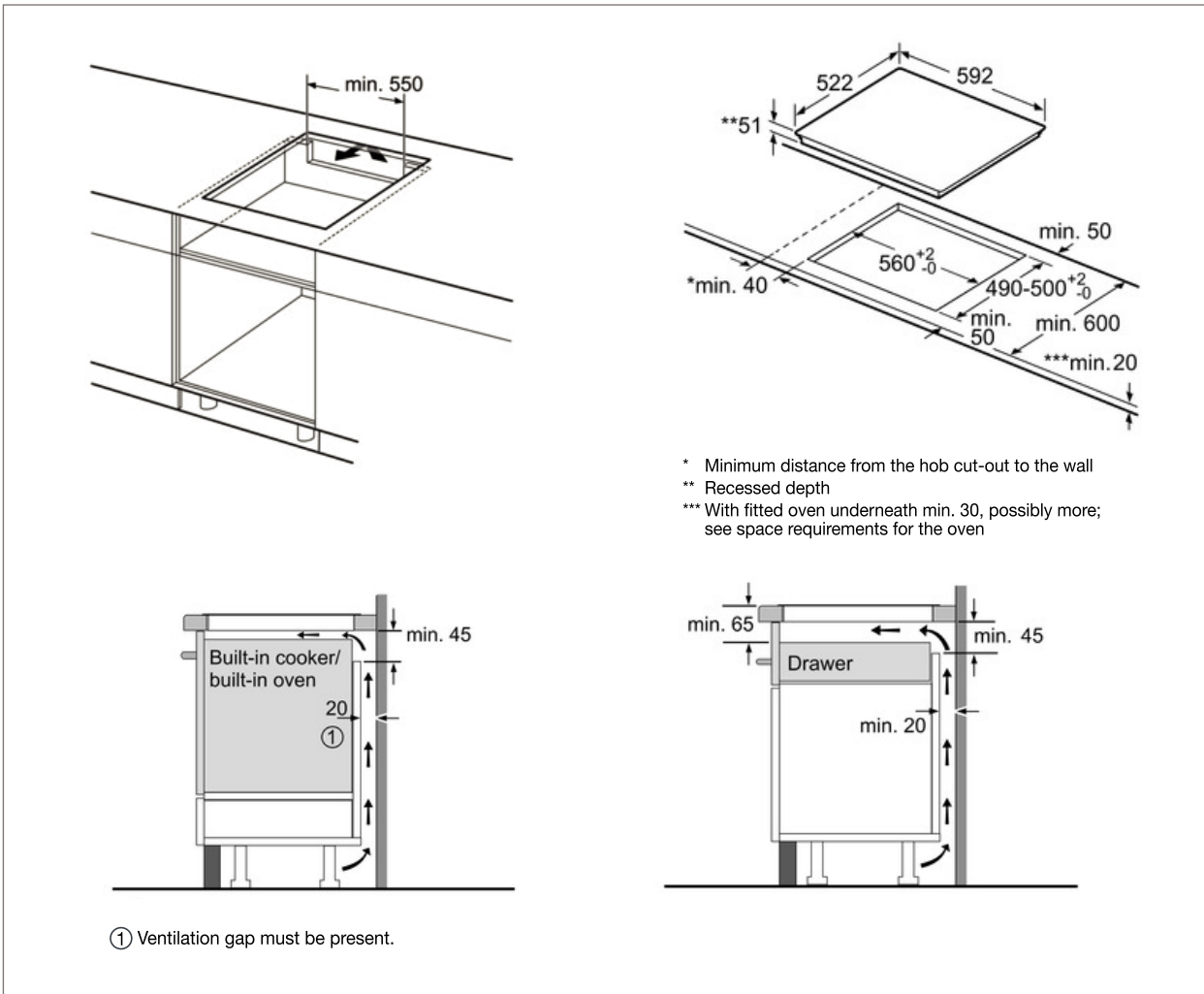
PPI82560MS



PKK651FP1E



PID631BB1E

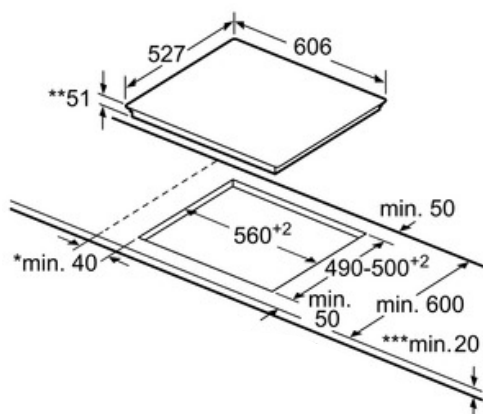


Technical Diagrams | Electric Hobs

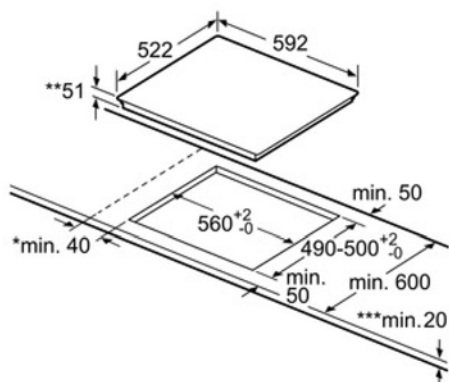
All descriptions and technical diagrams are intended as a guide only. For additional technical information, full dimensional and installation details, please refer to the instruction and installation manuals supplied with the appliance.

PXE675DC1E / PIE631FB1E

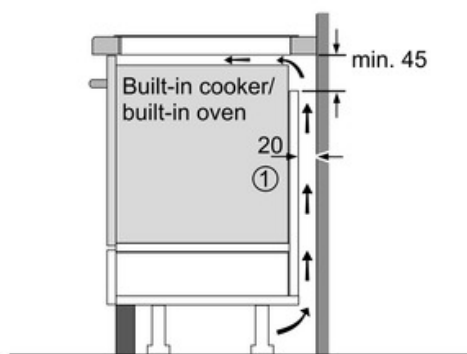
PXE675DC1E



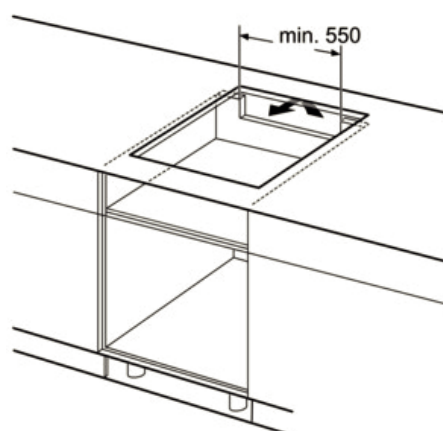
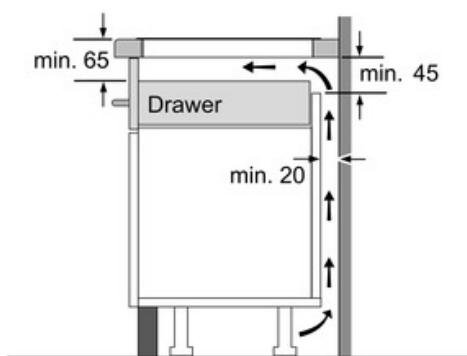
PIE631FB1E



- * Minimum distance from the hob cut-out to the wall
- ** Recessed depth
- *** With fitted oven underneath, possibly more; see space requirements for the oven



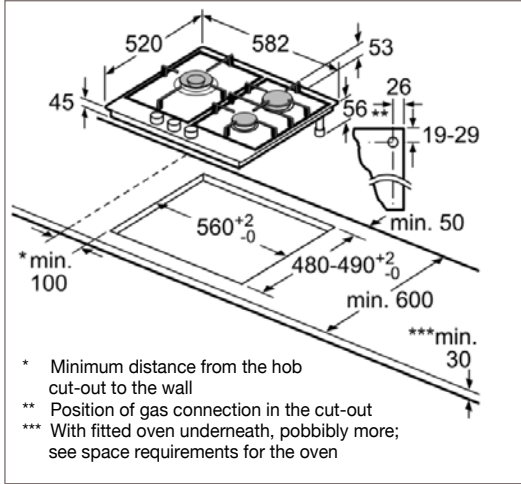
① Ventilation gap must be present.



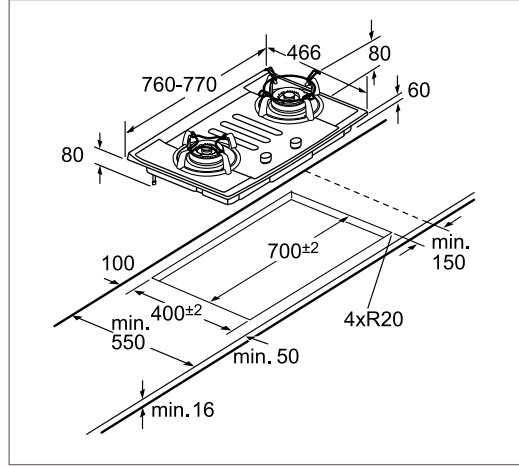
Technical Diagrams | Gas Hobs

All descriptions and technical diagrams are intended as a guide only. For additional technical information, full dimensional and installation details, please refer to the instruction and installation manuals supplied with the appliance.

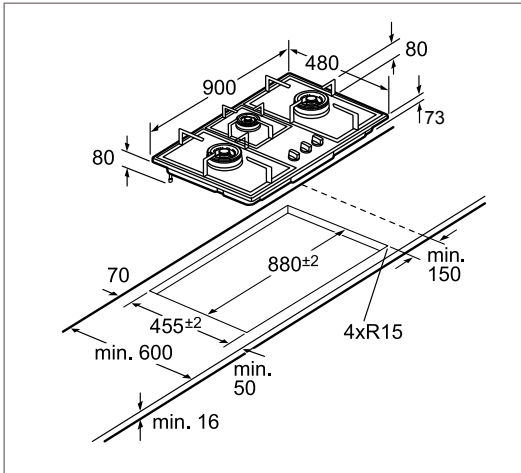
PCC6A5B90 / PCC6A5B90K



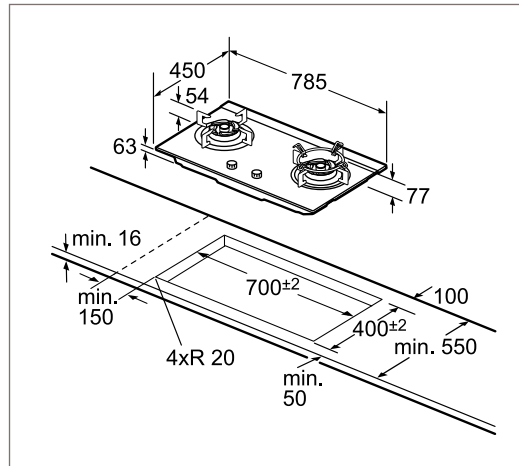
PBD7251SG, PBD7351SG



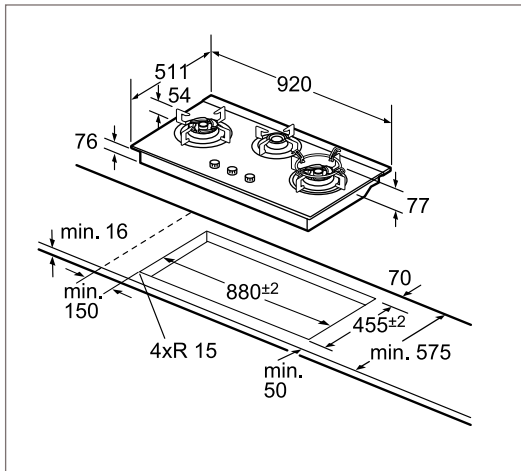
PBD9351SG



PBD7331SG, PBD7332SG, PBD7231SG, PBD7232SG



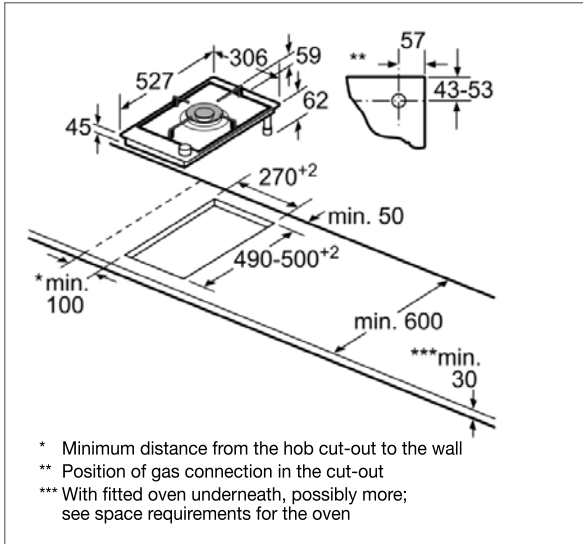
PBD9331SG



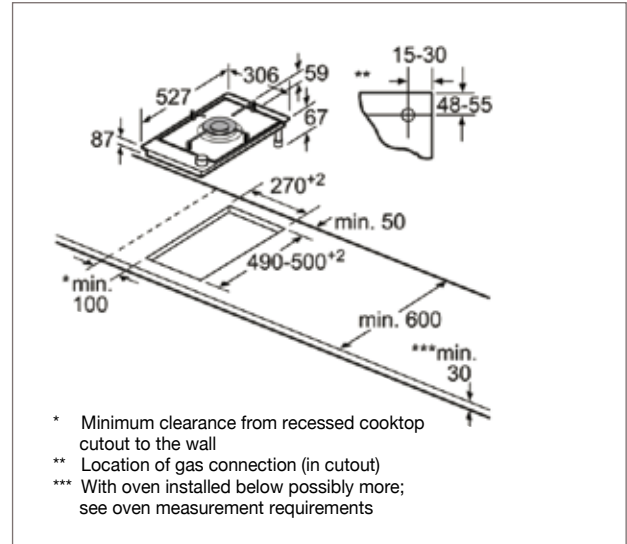
Technical Diagrams | Domino Hobs

All descriptions and technical diagrams are intended as a guide only. For additional technical information, full dimensional and installation details, please refer to the instruction and installation manuals supplied with the appliance.

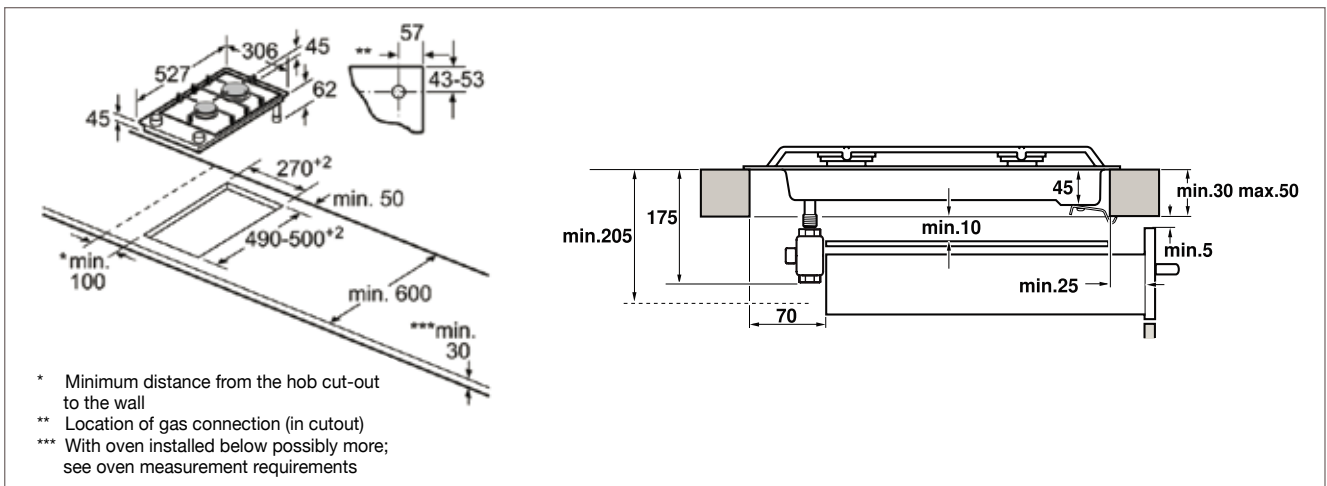
PRA3A6D70



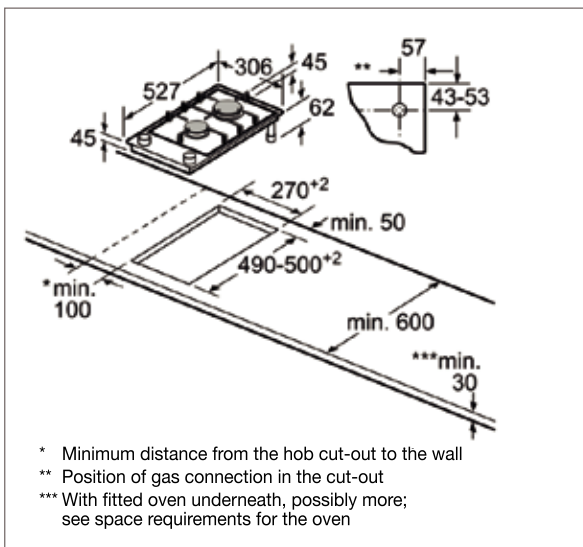
PRA3B6B70K



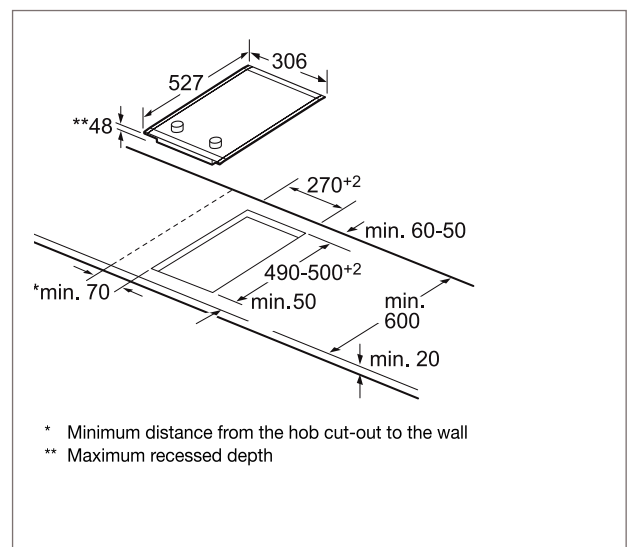
PRB3B6B70K



PRB3A6D70



PKF375CA1E

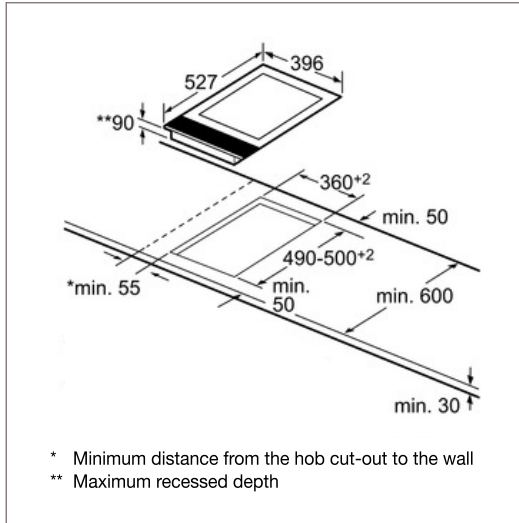


All measurements are in mm.

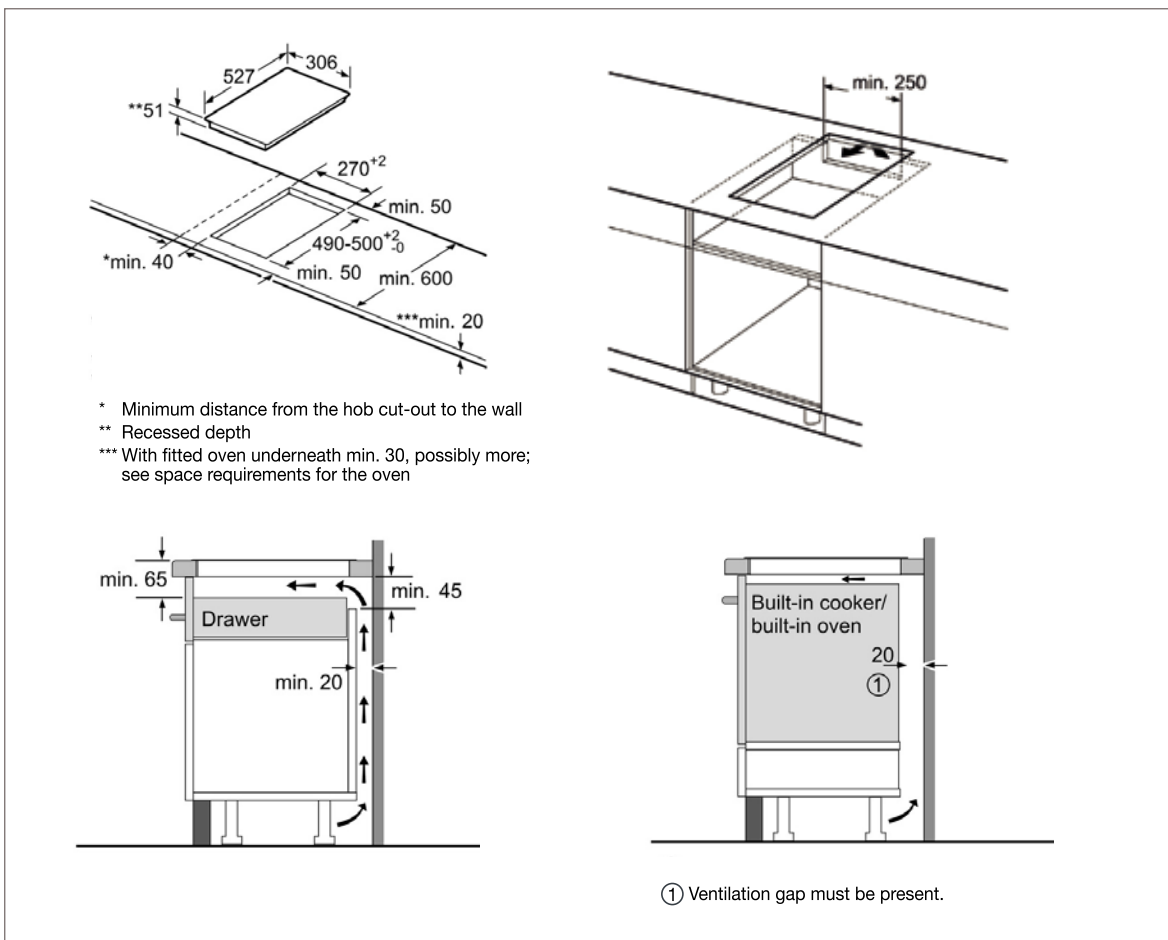
Technical Diagrams | Domino Hobs

All descriptions and technical diagrams are intended as a guide only. For additional technical information, full dimensional and installation details, please refer to the instruction and installation manuals supplied with the appliance.

PKY475FB1E



PIB375FB1E



Technical Diagrams | Domino Hobs

All descriptions and technical diagrams are intended as a guide only. For additional technical information, full dimensional and installation details, please refer to the instruction and installation manuals supplied with the appliance.

PRA3B6B70K, PRA3A6D70, PRB3A6D70, PRB3B6B70K, PKF375CA1E, PIB375FB1E, PKY475FB1E

Assembly kit (HEZ394301) for Domino

L	X
306	882
396	972

L	X
606	876
816	1086
916	1186

L	X
306	576
396	666

L	X
606	1182
816	1392
916	1492

When installing two or more Domino units side-by-side, one or more assembly kits are required (2 units = 1 assembly kit, 3 units = 2 assembly kits, etc)

When installing two Domino units right next to a hob, two assembly kits (HEZ394301) are required.

If two or more elements are installed right next to one another, one or several installation kits are required (2 elements 1 installation kit, 3 elements 2 installation kits, etc).

Cutout dimension (X) depending on the combination see table:

Domino combination possibilities with corresponding device and cutout dimensions

	A	B	C	D	L	X
2x30	306	306	-	-	612	576
1x30, 1x40	306	396	-	-	702	666
1x30, 1x60	306	606	-	-	912	876
1x30, 1x70 *	306	710	-	-	1016	980
1x30, 1x80	306	816	-	-	1122	1086
1x30, 1x90	306	916	-	-	1222	1186
2x40	396	396	-	-	792	756
1x40, 1x60	396	606	-	-	1002	966
1x40, 1x70 *	396	710	-	-	1106	1070
1x40, 1x80	396	816	-	-	1212	1176
1x40, 1x90	396	916	-	-	1312	1276
3x30	306	306	306	-	918	882

* Not possible with 70cm induction cooktop

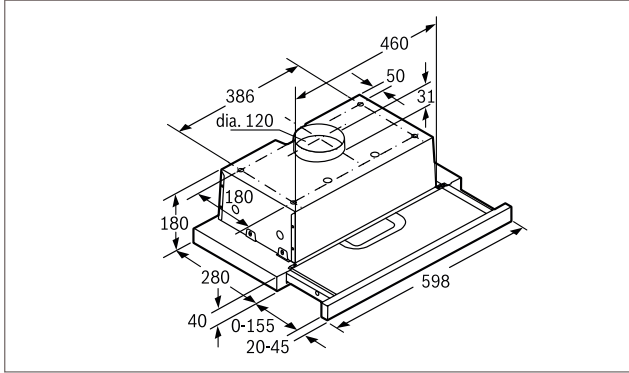
Width type: 30 40 60 70 80 90
Device width: 306 396 606 710 816 916

	A	B	C	D	L	X
2x30, 1x40	306	306	396	-	1008	972
2x30, 1x60	306	306	606	-	1218	1182
2x30, 1x70 *	306	306	710	-	1322	1286
2x30, 1x80	306	306	816	-	1428	1392
2x30, 1x90	306	306	916	-	1528	1492
1x30, 2x40	306	396	396	-	1098	1062
1x30, 1x40, 1x60	306	396	606	-	1308	1272
1x30, 1x40, 1x70	306	396	710	-	1412	1376
1x30, 1x40, 1x80	306	396	816	-	1518	1482
1x30, 1x40, 1x90	306	396	916	-	1618	1582
2x40, 1x60	396	396	606	-	1398	1362
4x30	306	306	306	306	1224	1188
3x30, 1x40	306	306	306	396	1314	1278
1x30, 1x75	306	750	-	-	1056	1020
1x40 1x75	396	750	-	-	1146	1110
2x30, 1x75	306	306	750	-	1362	1326
1x30 1x40 1x75	306	396	750	-	1452	1416

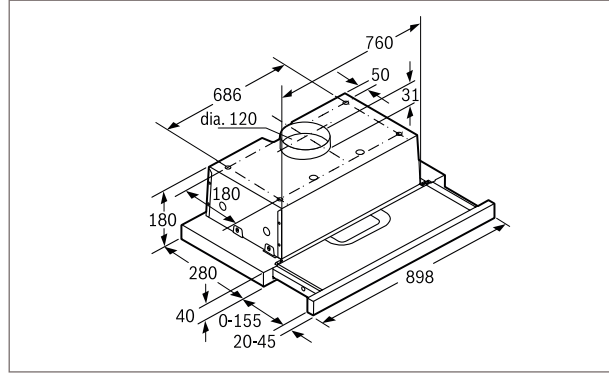
Technical Diagrams | Hoods

All descriptions and technical diagrams are intended as a guide only. For additional technical information, full dimensional and installation details, please refer to the instruction and installation manuals supplied with the appliance.

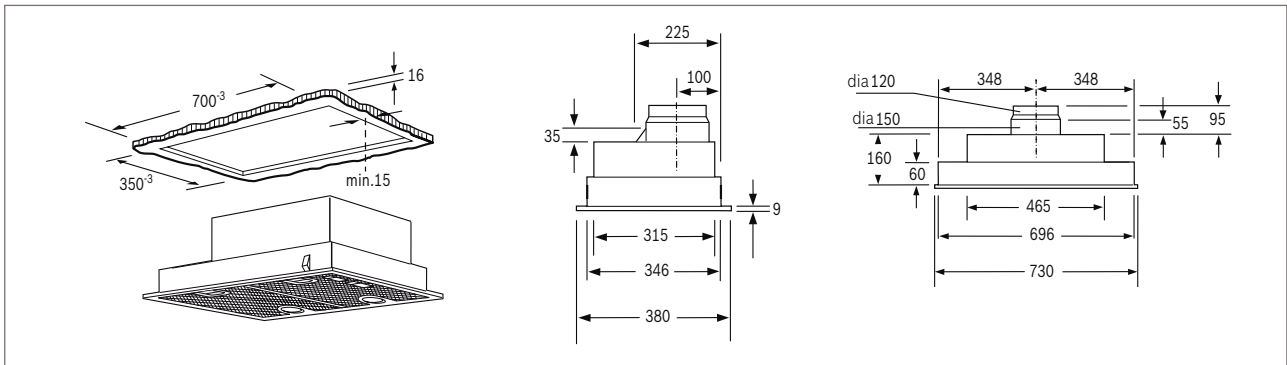
DHI623GSG



DHI923GSG

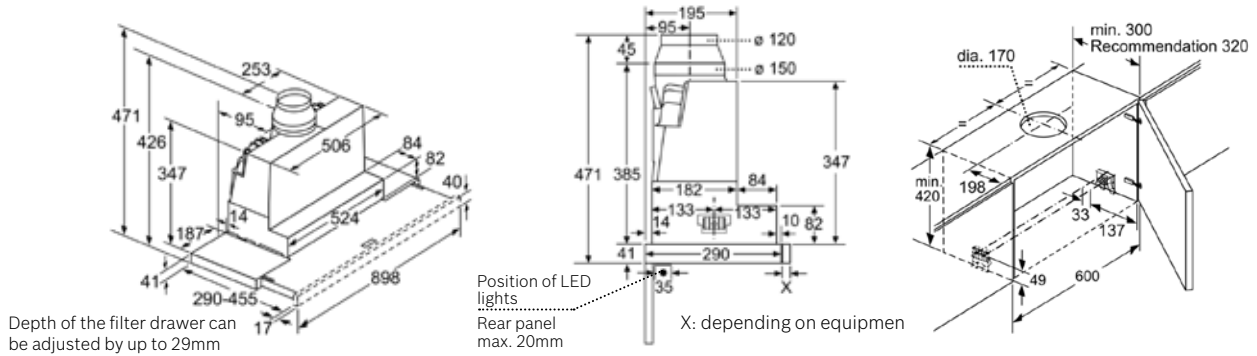


DHL755BL

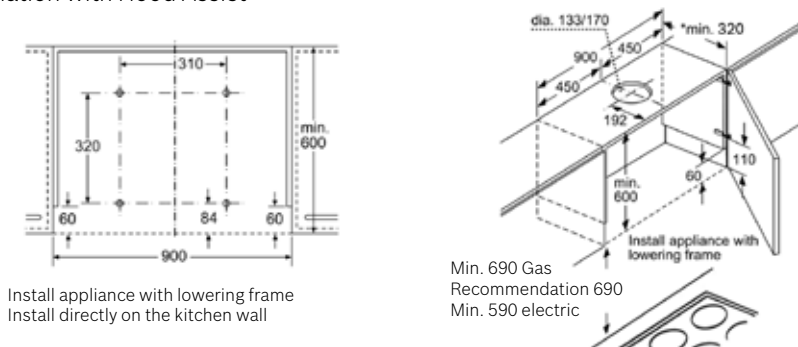


DFS097A50B

Installation without Hood Assist



Installation with Hood Assist



All measurements are in mm.

Technical Diagrams | Hoods

All descriptions and technical diagrams are intended as a guide only. For additional technical information, full dimensional and installation details, please refer to the instruction and installation manuals supplied with the appliance.

DFS098K53

Installation without Hood Assist

Depth of the filter drawer can be adjusted by up to 29mm

Position of LED lights
Rear panel max. 20mm

Installation with Hood Assist

Install appliance with lowering frame
Install directly on the kitchen wall

Min. 690 Gas
Recommendation 690
Min. 590 electric

DSZ4960

Hood Assist

Combination table for 90cm appliances with Hood Assist

Design if the appliance in the cupboard	Appliance installation depth with lowering frame	Depth of the handle strip (X)	Overall installation depth	Kitchen unit Carcass depth
Bosch DFS097A50B	301	17	318	min.320
Bosch DFS098K53	301	32	333	min.335

When using recess panelling of >5mm, the lowering frame must be supported from below. The kitchen unit carcass depth must be adjusted accordingly.

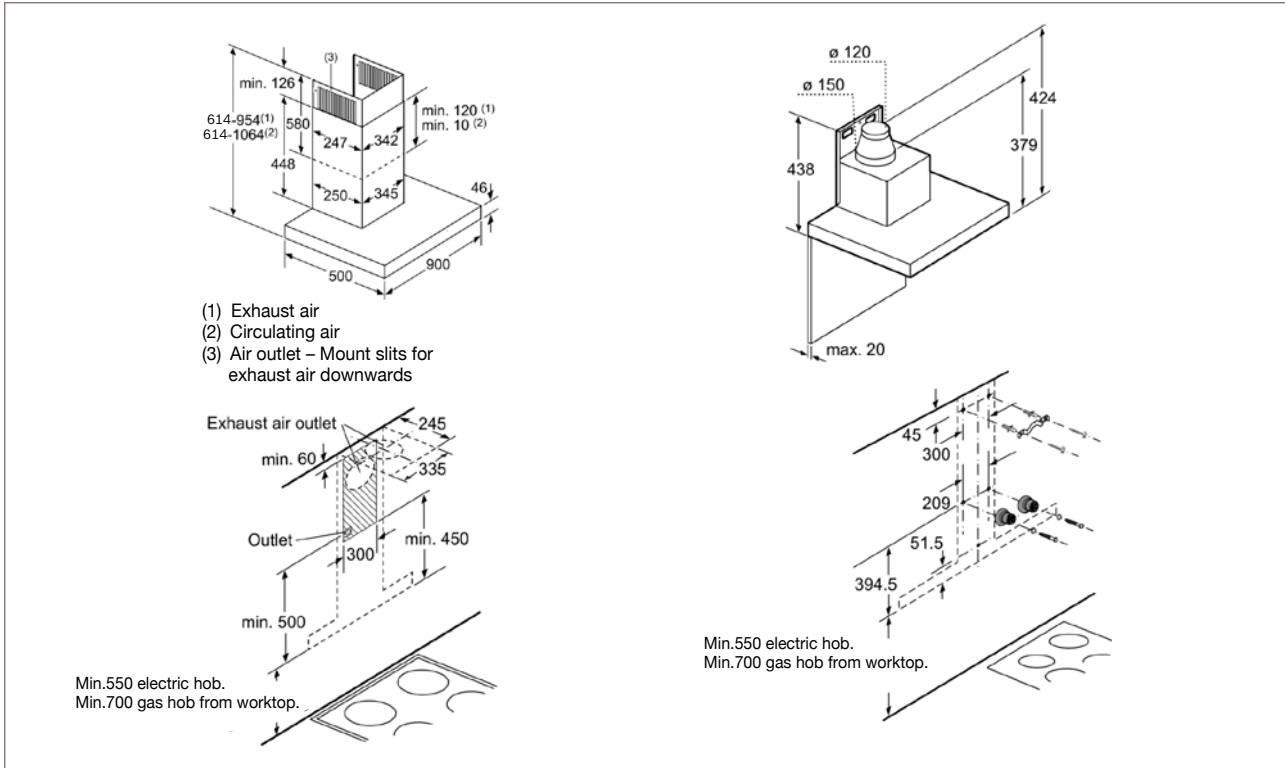
Please take note of the appliance depth and height during installation.

All measurements are in mm.

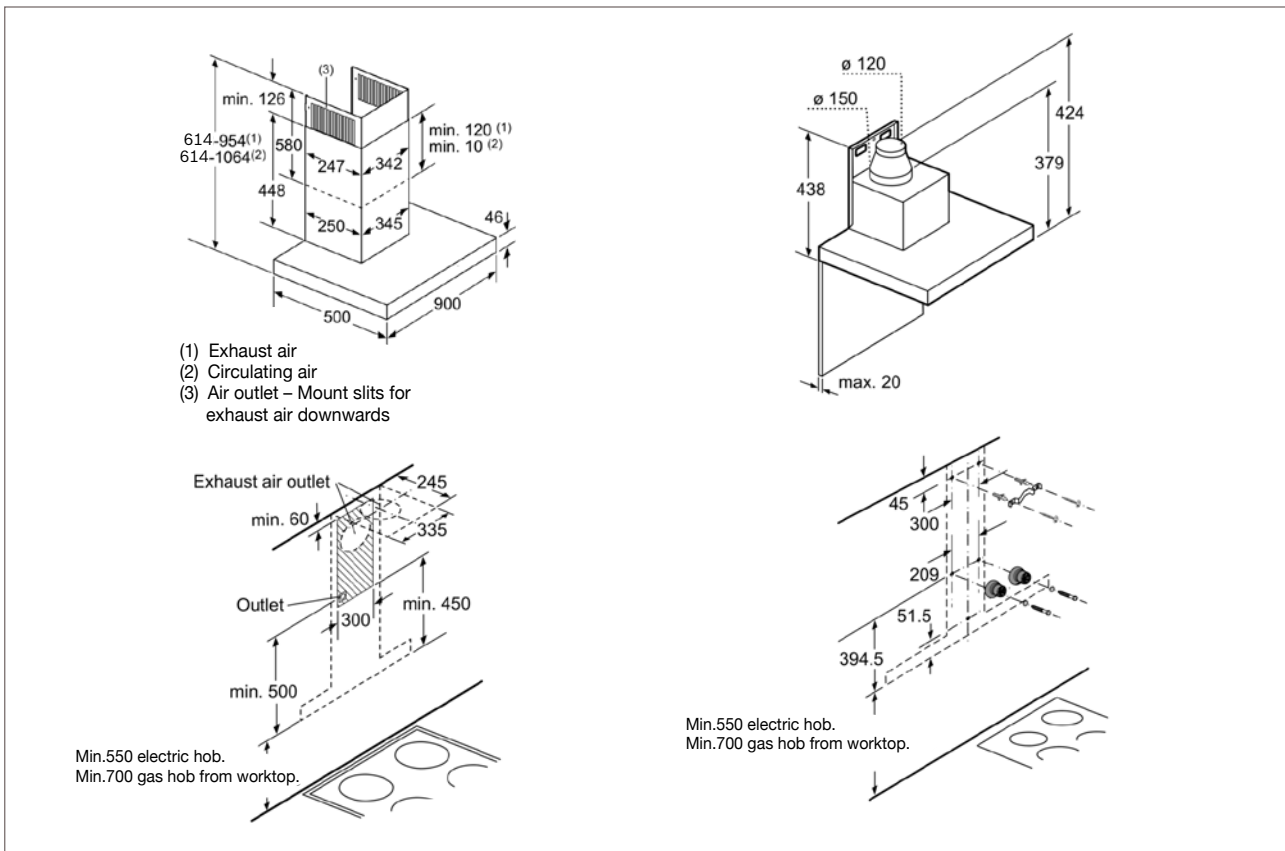
Technical Diagrams | Hoods

All descriptions and technical diagrams are intended as a guide only. For additional technical information, full dimensional and installation details, please refer to the instruction and installation manuals supplied with the appliance.

DWB97CM50B



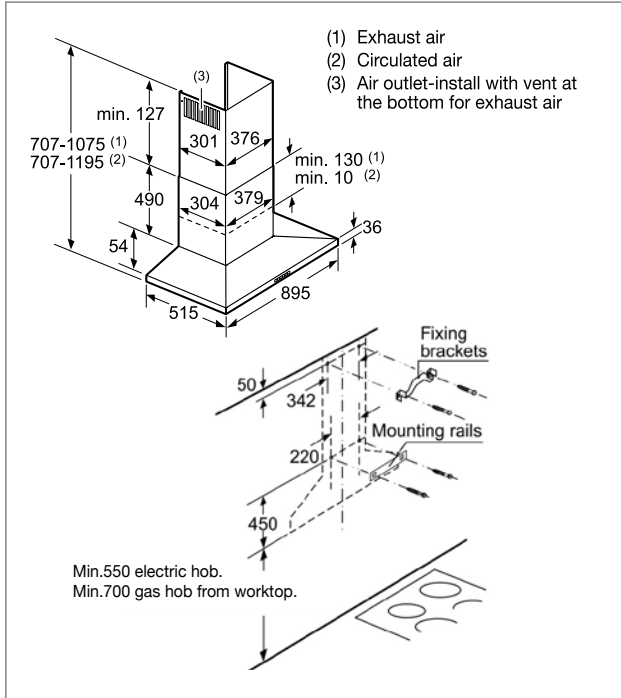
DWB98JQ50B



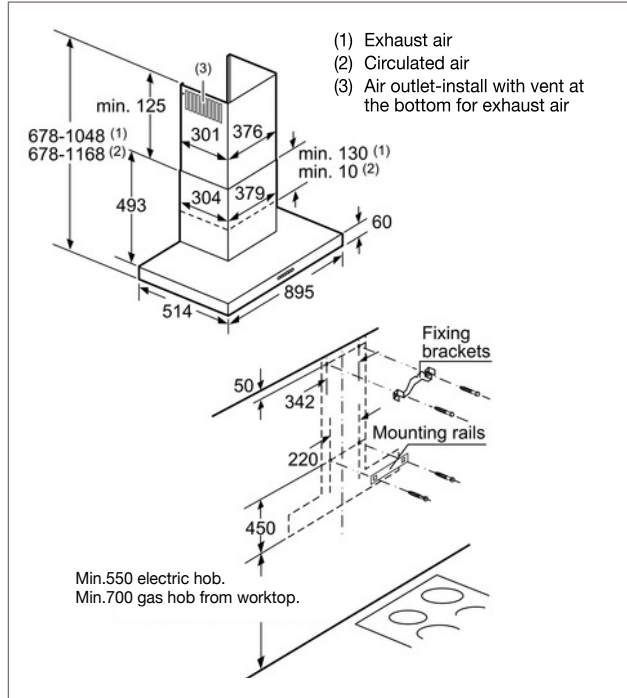
Technical Diagrams | Hoods

All descriptions and technical diagrams are intended as a guide only. For additional technical information, full dimensional and installation details, please refer to the instruction and installation manuals supplied with the appliance.

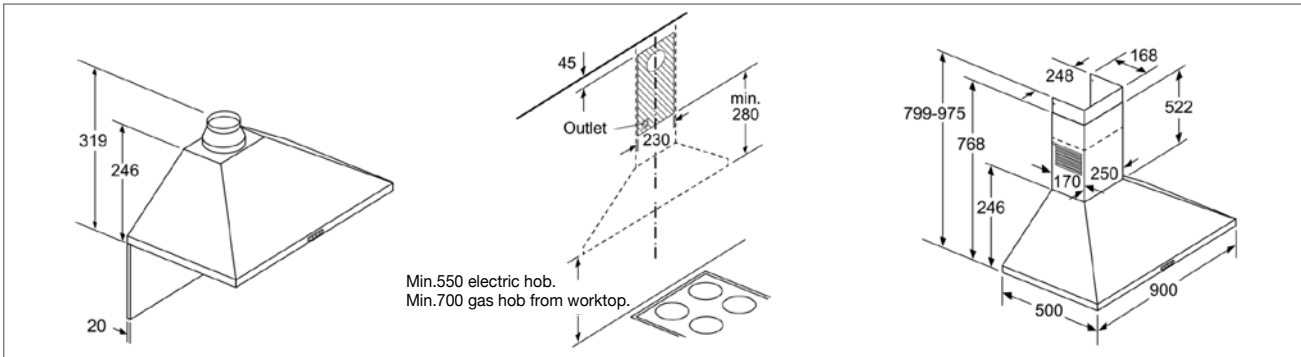
DEE928PSG



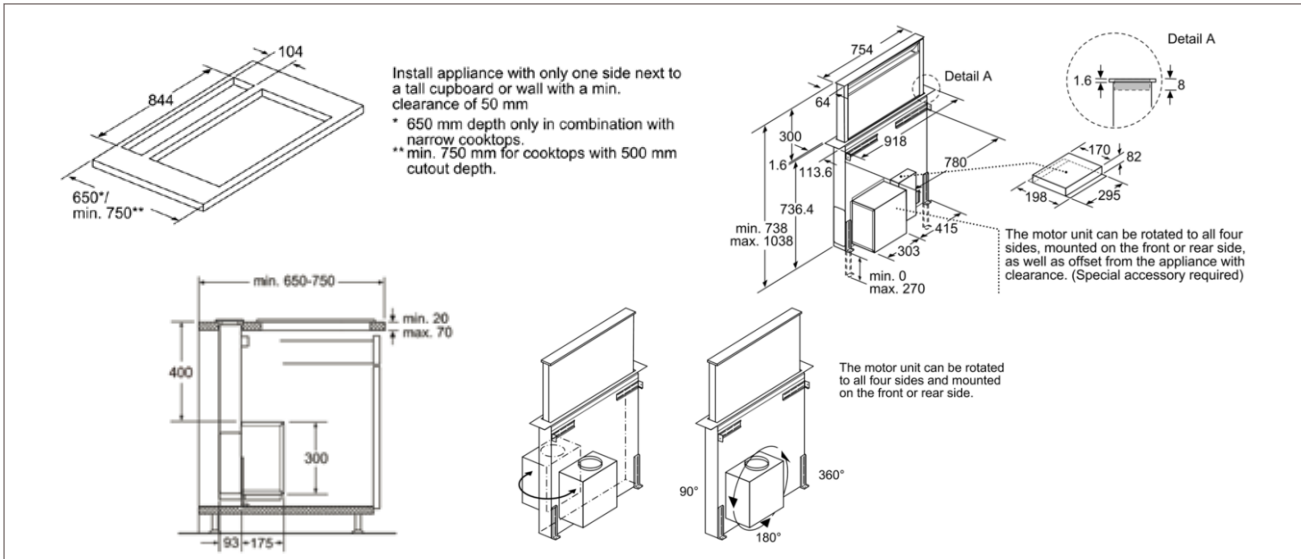
DEE928BSG



DWP96BC50B



DDD97BM60B

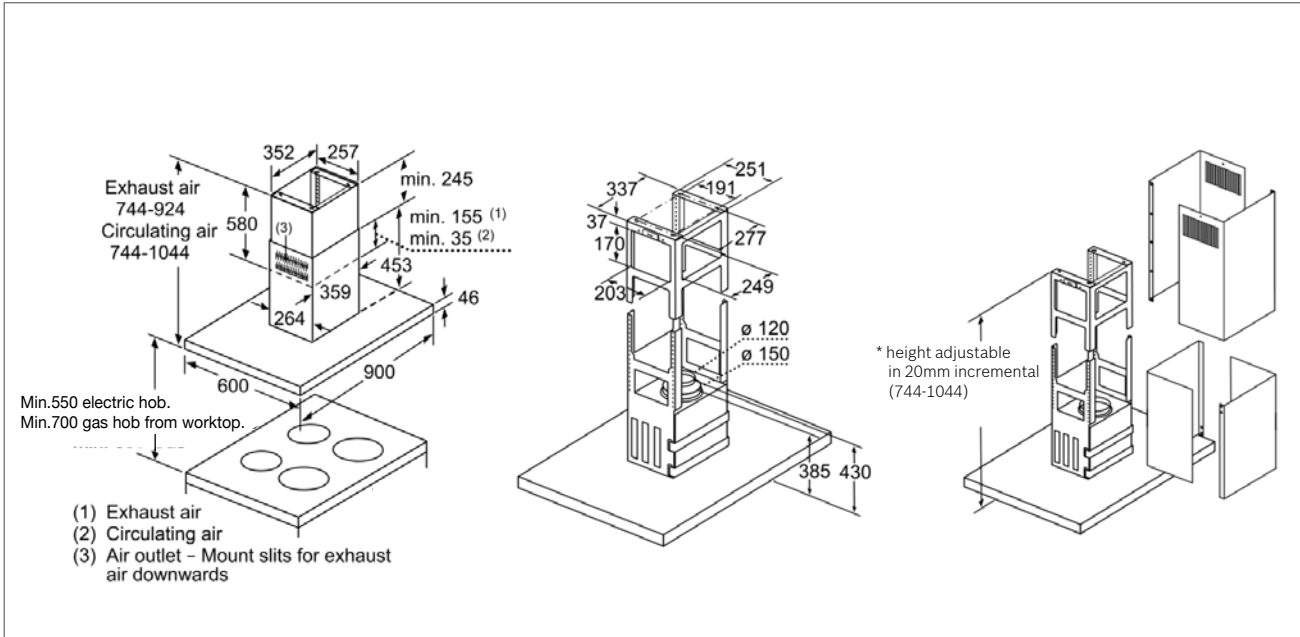


All measurements are in mm.

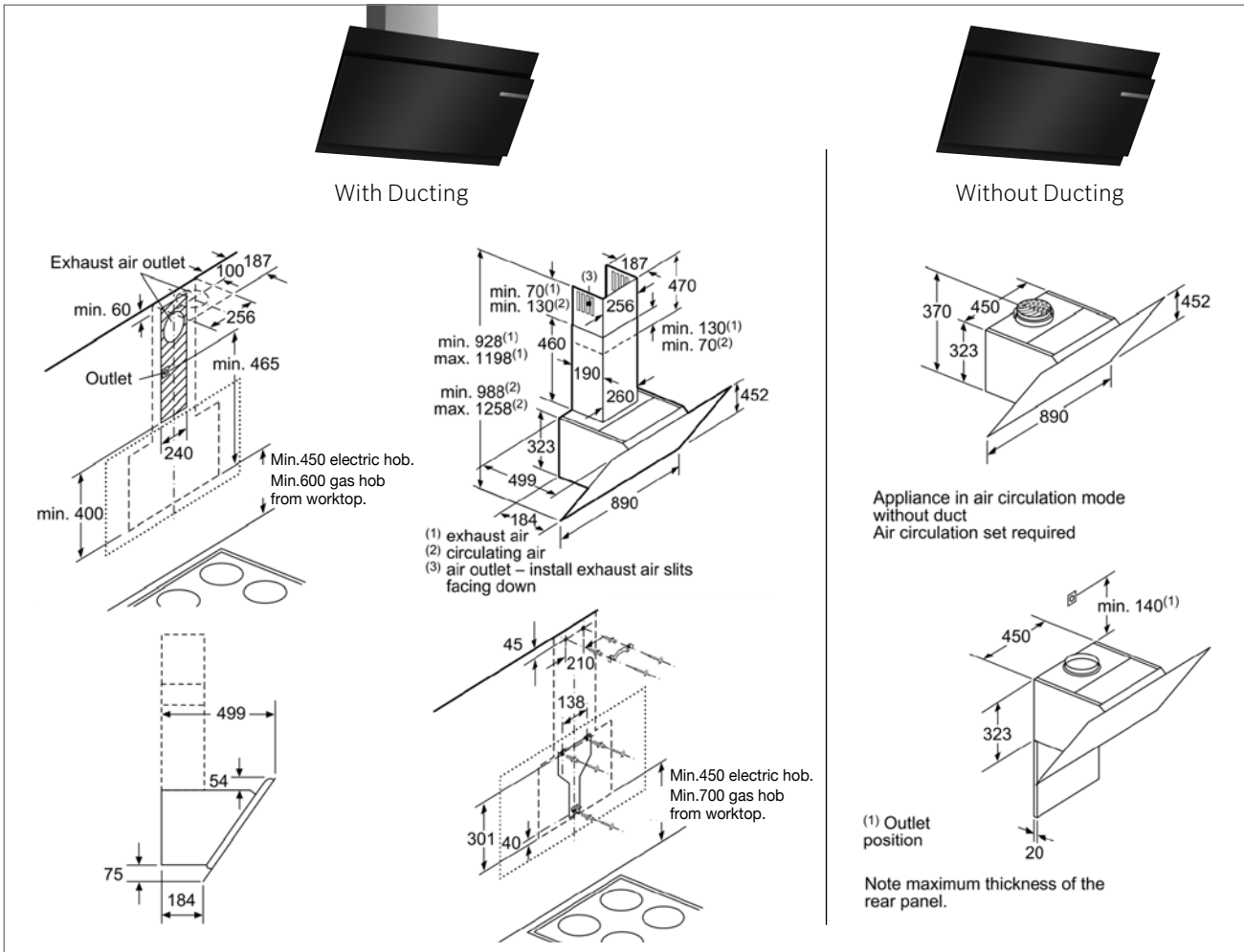
Technical Diagrams | Hoods

All descriptions and technical diagrams are intended as a guide only. For additional technical information, full dimensional and installation details, please refer to the instruction and installation manuals supplied with the appliance.

DIB98JQ50



DWK98JM60

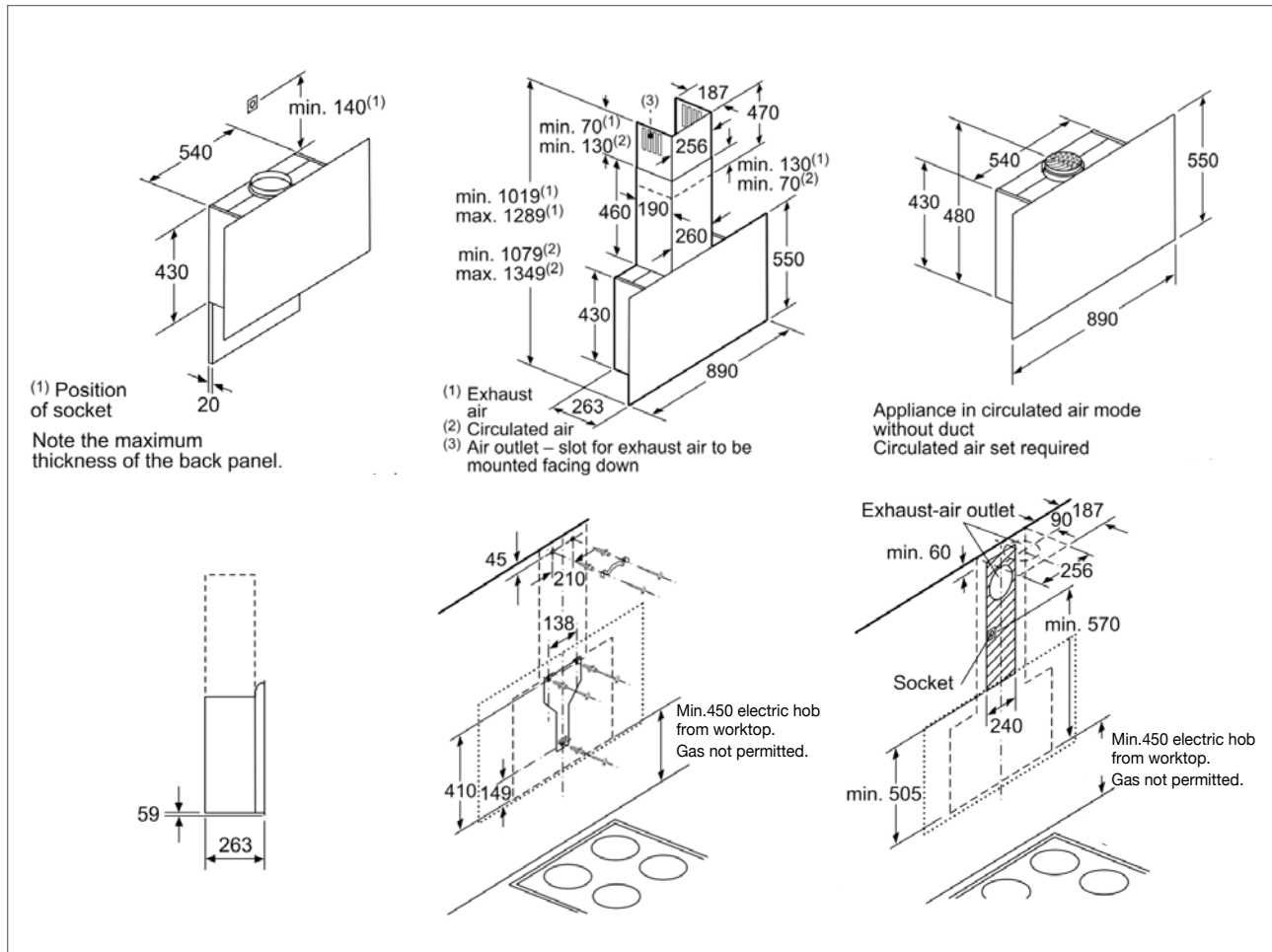


All measurements are in mm.

Technical Diagrams | Hoods

All descriptions and technical diagrams are intended as a guide only. For additional technical information, full dimensional and installation details, please refer to the instruction and installation manuals supplied with the appliance.

DWF97RU60



All measurements are in mm.

BSH Home Appliances Pte. Ltd. (Reg. No: 199608497E)

11 Bishan Street 21 Bosch Building #04-02

Singapore 573943

Toll Free: 1800-MY-BOSCH (1800-69-26724)

Fax: (65) 6507 3818

www.bosch-home.com.sg

