

产 品 说 明 书

Product Instruction Manual

产品名称: LED 筒灯

Product Name: LED downlight

型号编码:

Model No.: 53818101,53821101

生产商: 广东德豪润达电气股份有限公司

Manufacturer: Elec-tech International.,Co.Ltd

地 址: 广东省珠海市唐家湾镇金凤路 1 号

Address: Guangdong Province Zhihai City, Tanjiawan, No.1 Jinfeng Rd

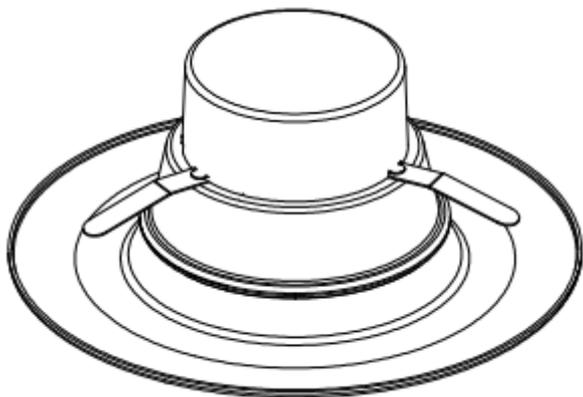
电 话 Tel: 0756-3390990

传 真 Fax: 0756-3390778

网 址 Web: www.electech.com.cn

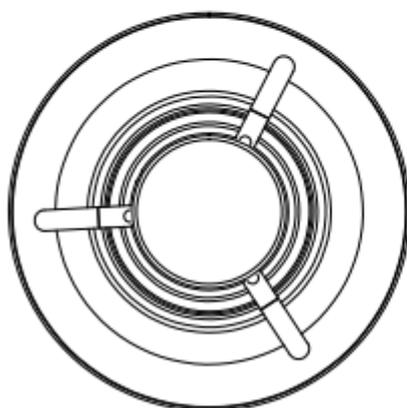
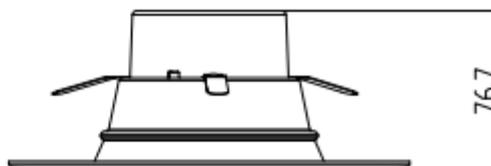
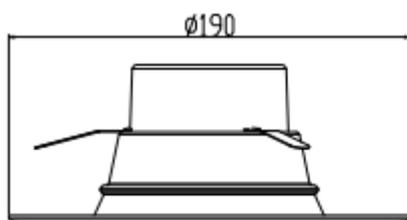
1. 产品简介 Product Introduction

1.1. 产品描述: Product Description :



1.2. 产品示意图:

Product schematic diagram:



2. 产品特性 Product features

1.1 技术参数 Specification

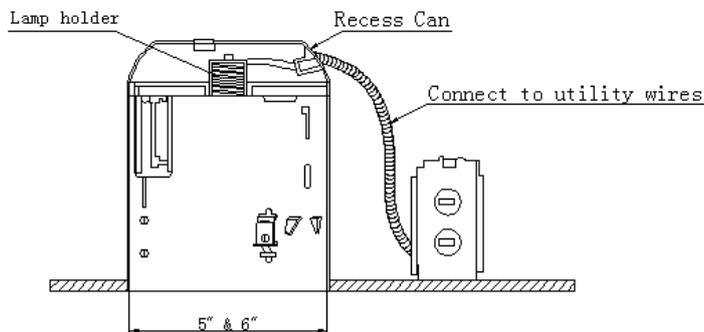
项目 / 单位	参数	
电气参数 Electronic ratings		
Model	53821101	53818101
整灯功率 /W Rated Power/W	9.5W	8W
输入电压 /V Rated Input voltage/V	AC 120V	
工作频率/Hz Frequency/Hz	60Hz	
电源效率/% Rated Power efficiency	>90%	
功率因数 (PF) Rated Power Factor	>0.9	
调光方式 Dimming method	可控硅调光, 蓝牙	
光源参数 Photometric ratings		
LED 类型/数量 LED Type/Quantity	2835/47pcs	
整灯光通量 /Lm Lumen	670lm	
色温/K Temperature/K	2700-5000K, R+G+B	
显色指数/Ra CRI	90	93
物理参数 Physical information		
材质 Material	AL、PC	
工作温度 operating temperature	45°C	
防护等级 IP rating	IP20	
灯具规格(L×W×H)/mm Luminaire dimension(L×W×H)/mm	190*190*76.7mm	

2 使用方法 Method of application

2.1 安装示意图(A) Installation schematic diagram(A)

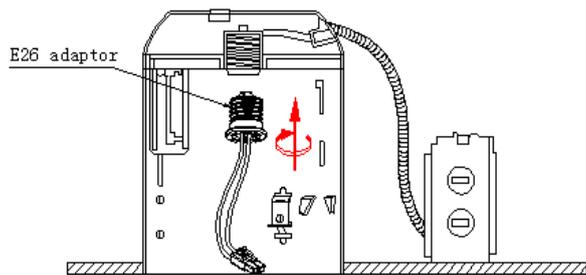
A 切断电源，检查安装筒尺寸。

A: Turn off the power supply. Check the dimension of recessed can and the lamp holder type to see whether the retrofit kit can fit the luminaire.



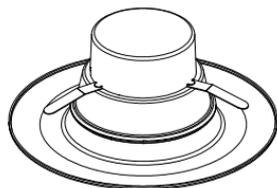
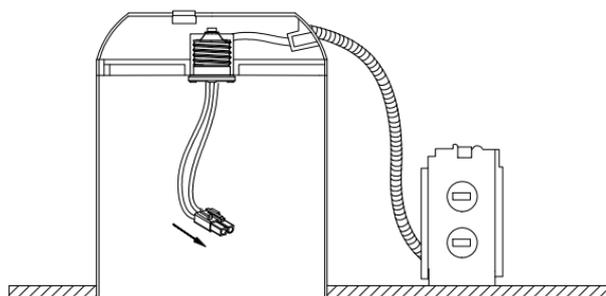
B: 将 E26 灯头旋进并旋紧

B: crew clockwise the E26 adaptor into the lamp holder. Tighten.



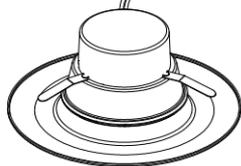
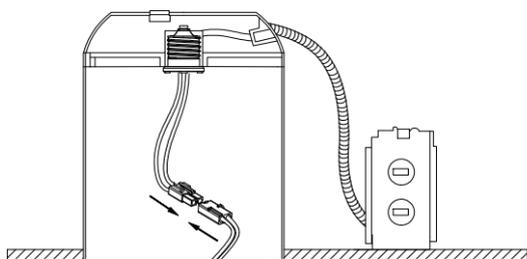
C: 连接好连接器。

C: Connect the male to the female connector.



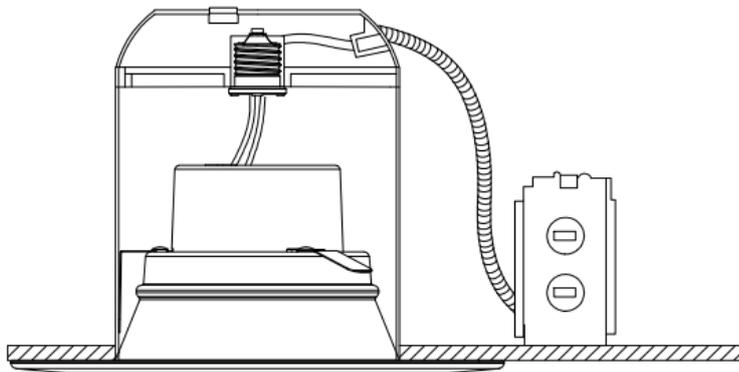
D: 将筒灯装进安装筒并卡紧。

D: Squeeze the “V shape” clips to match the grooves on the inside of the can, and slide the luminaire up into the can firmly.



E: 导通电源

E: Make sure the trim ring is flush with ceiling. Turn on the light to check the luminaire working status.



蓝牙 APP 使用说明

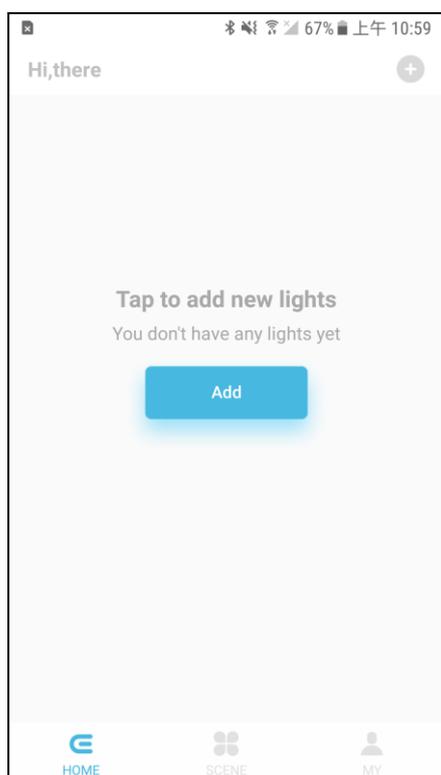
Controlling the Light with Bluetooth® wireless technology

1 添加灯

Turn on your LED downlight.

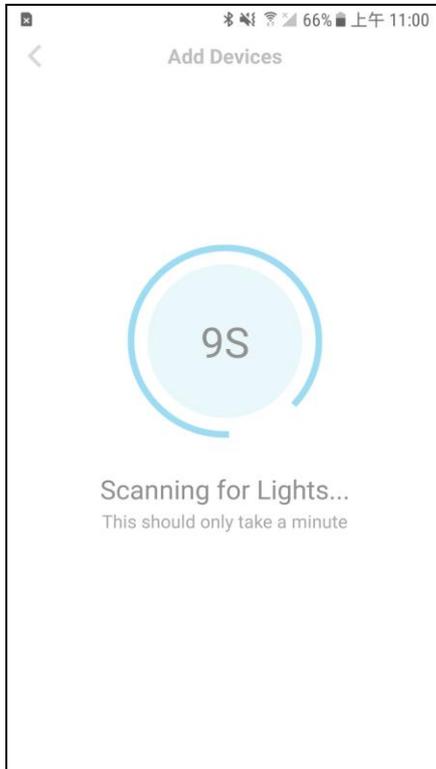
Enable Bluetooth on your smart device.

Open the Commercial Electric™ Lighting app, wait for the smart device to detect the downlight, and select the downlight to pair the device to the light. The light will blink four times if pairing is successful.

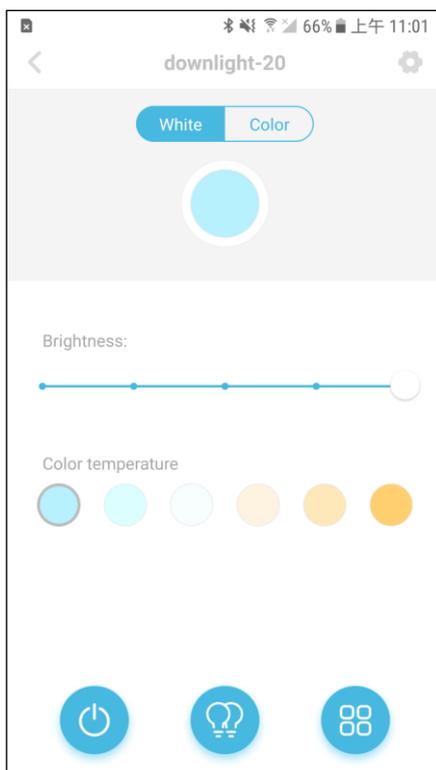


2 扫描灯

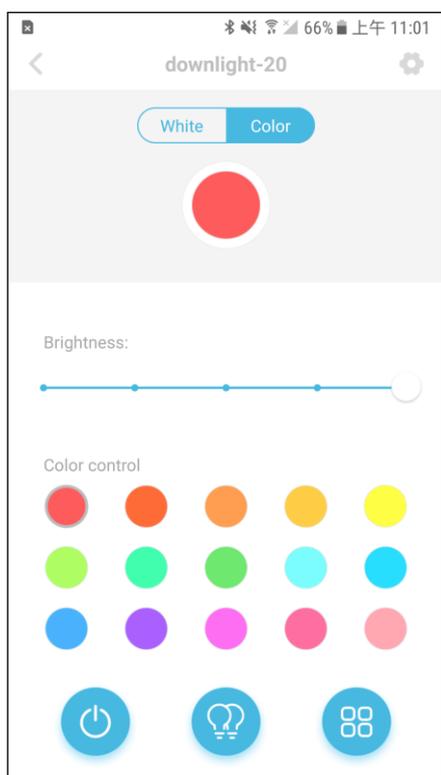
Now that the downlight is paired with your Bluetooth wireless technology enabled device, you can directly control the light whenever it is in range.



3 白光使用界面 White Light(CCT) User Screen



4 RGB 使用界面 Color Light(RGB) User Screen



3.3 维护说明 Maintenance Instruction

*为延长使用寿命请勿使用酒精等挥发性溶剂擦拭灯体；

*Do Not use volatile solvent such as alcohol to clean the troffer.

*清洁时可以使用柔棉布沾肥皂水拧干后擦拭灯体；

*Use soft cotton cloth with suds to clean the troffer .

*非专业人士请勿拆修灯具；

*Non-professional do Not attempt to take apart and repair the troffer .

*不可拆卸软缆或软线，如果损坏须请专业人士或制造厂商更换。

*No disassemble the soft cord, if broken, please invite professional personnel or ask the manufacturer to change

3 环境要求 Environmental requirement

使用环境温度 Operating temperature: 45°C；

4 警告语

FCC Statement

This equipment has been tested and found to comply with the limits for a Class B digital device, pursuant to Part 15 of the FCC Rules. These limits are designed to provide reasonable protection against harmful

interference in a residential installation. This equipment generates uses and can radiate radio frequency energy and, if not installed and used in accordance with the instructions, may cause harmful interference to radio communications. However, there is no guarantee that interference will not occur in a particular installation. If this equipment does cause harmful interference to radio or television reception, which can be determined by turning the equipment off and on, the user is encouraged to try to correct the interference by one or more of the following measures:

- Reorient or relocate the receiving antenna.
- Increase the separation between the equipment and receiver.
- Connect the equipment into an outlet on a circuit different from that to which the receiver is connected.
- Consult the dealer or an experienced radio/TV technician for help.

FCC COMPLIANCE STATEMENT:

This device complies with part 15 of the FCC Rules. Operation is subject to the following two conditions: (1) This device may not cause harmful interference, and (2) this device must accept any interference received, including interference that may cause undesired operation. Changes or modifications not expressly approved by the party responsible for compliance could void the user's authority to operate the equipment.

The distance between user and products should be no less than 20cm

IC WARNING

This device contains licence-exempt transmitter(s)/receiver(s) that comply with Innovation, Science and Economic Development Canada's licence-exempt RSS(s). Operation is subject to the following two conditions:

- (1) This device may not cause interference.
- (2) This device must accept any interference, including interference that may cause undesired operation of the device

The distance between user and products should be no less than 20cm

ADVERTENCIA IC

Cet appareil contient des émetteurs / récepteurs exemptés de licence conformes aux RSS (RSS) d'Innovation, Sciences et Développement économique Canada. Le fonctionnement est soumis aux deux conditions suivantes :

- (1) Cet appareil ne doit pas causer d'interférences.
- (2) Cet appareil doit accepter toutes les interférences, y compris celles susceptibles de provoquer un fonctionnement indésirable de l'appareil.

La distance entre l'utilisateur et de produits ne devrait pas être inférieure à 20cm