

Installation Instructions
Notice d'installation
Instrucciones de instalación

9001117065 (9511)



Important Safety Instructions: Please READ and SAVE this information

To avoid possible injury or property damage, **OBSERVE ALL WARNINGS AND CAUTIONS.**

These instructions are intended for use by qualified installers only. The dishwasher must be installed by a qualified service technician or installer.

- In addition to these instructions, the dishwasher shall be installed to meet all electrical and plumbing codes and ordinances (both national and local).

Read these installation instructions completely and follow them carefully. They will save you time and effort and help to ensure safety and optimum dishwasher performance.

IMPORTANT

- The dishwasher drain hose must be installed with a portion of it at least 20" (508 mm) off the cabinet floor; otherwise the dishwasher may not drain properly.
- This dishwasher is intended for indoor residential use only, and should not be used in commercial food service establishments.
- This dishwasher is designed to be enclosed on the top and both sides by cabinetry.
- **NEW INSTALLATION** - If the dishwasher is a new installation, ensure all connections are properly made before the dishwasher is moved into place.
- **REPLACEMENT** - If the dishwasher is replacing another dishwasher, check the existing dishwasher connections for compatibility with the new dishwasher, and replace parts as necessary.
- This appliance has been found to be in compliance with CAN/CSA-C22.2 No. 167/UL 749. It is the responsibility of the owner and the installer to determine if additional requirements and standards apply in specific installations.
- Not for outdoor use.

WARNING

Avoiding General Hazards



Do not use the dishwasher until it is completely installed. When opening the door on an uninstalled dishwasher, carefully open the door while supporting the rear of the unit. Failure to follow this warning can cause the dishwasher to tip over and result in serious injury.

Before installing the “L”-shaped supplied countertop mounting brackets (select models), decide which method will be used to secure the dishwasher into its opening. Once these mounting brackets are installed on the dishwasher, removing them is difficult and will damage the mounting brackets and the dishwasher.

In some conditions, hydrogen gas can form in a hot water system that has not been used for weeks. Hydrogen gas is explosive. Before filling a dishwasher from a system that has been off for weeks, run the water from a nearby faucet in a well ventilated area until there is no sound or evidence of gas.

Temperatures required for soldering and sweating will damage the dishwasher’s base and water inlet valve. If plumbing lines are to be soldered or sweated, keep the heat source at least 6 inches (152.4 mm) away from the dishwasher’s base and water inlet valve.

Removing any cover or pulling the dishwasher from the cabinet can expose hot water connections, electrical power and sharp edges or points. Handle with care.



Avoiding Electrical Shock/Fire Hazards

Do not allow the electrical and water supply lines to touch.

Do not work on an energized circuit. Doing so could result in serious injury or death. Only qualified electricians should perform electrical work. Do not attempt any work on the dishwasher electric supply circuit until you are certain the circuit is de-energized.

Make sure electrical work is properly installed. There should be no loose electrical connections. Ensure all electrical connections are properly made.

The customer has the responsibility of ensuring that the dishwasher electrical installation is in compliance with all national and local electrical codes and ordinances. The dishwasher is designed for an electrical supply of 120 V, 60 Hz, AC, connected to a dishwasher-dedicated, properly grounded electrical circuit with a fuse or breaker rated for 15 amps. Electrical supply conductors shall be a minimum #14 AWG copper only wire rated at 75°C (167°F) or higher.

This appliance must be connected to a grounded metal, permanent wiring system, or an equipment-grounding conductor must be run with the circuit conductors and connected to the equipment-grounding terminal or lead on the appliance. Do not use extension cords.



Avoiding Plumbing/Scalding Hazards

Do not perform any work on a charged hot water line. Serious injury could result. Only a qualified plumber should perform plumbing work. Do not attempt any work on the dishwasher hot water supply plumbing until you are certain the hot water supply is shut off.

Do not over tighten the 90° elbow. Doing so may damage the water inlet valve and cause a water leak.

Check local plumbing codes for approved plumbing procedures and accessories. All plumbing should be done in accordance with national and local codes.

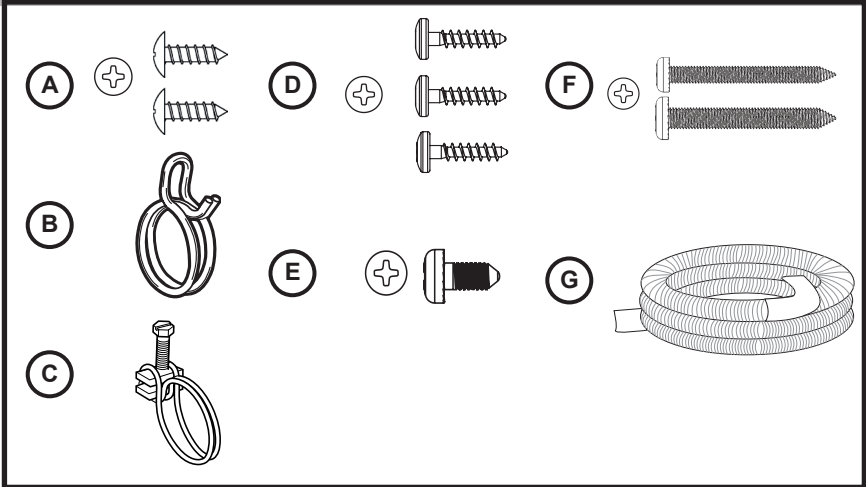
These instructions depict an installation method for stainless steel braided hose or PEX hot water supply lines. If using copper tubing or other material for water supply, defer to a licensed plumber for proper installation.

Inspect the Dishwasher

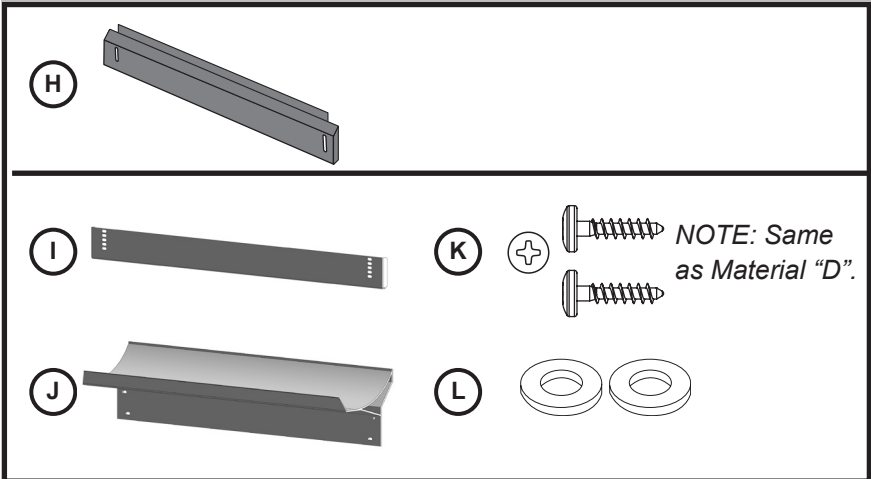
After unpacking the dishwasher and prior to installation, thoroughly inspect the dishwasher for possible freight or cosmetic damage. Report any damage immediately. Cosmetic defects must be reported within 30 days of installation.

NOTE: Do not discard any bags or items that come with the original package until after the entire installation has been completed.

Materials Supplied (all models)



Materials Supplied (model dependent)



Materials Needed



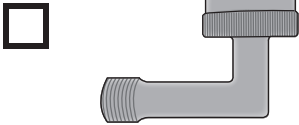
Electrical Supply Cable - Minimum #14 AWG, 2 conductor, 1 ground, insulated copper conductors rated 75°C (167°F) or higher.



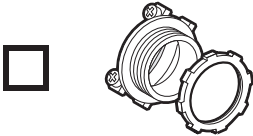
Hot Water Supply Line - Minimum 3/8" O.D. copper tubing, PEX, or metal braided dishwasher supply line.



Shut-off Valve and fittings appropriate for hot water supply line (copper tubing/ compression fitting, or braided hose).

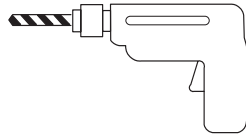
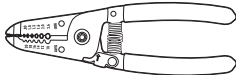
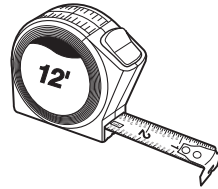
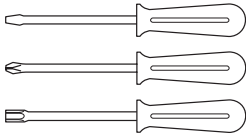
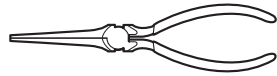
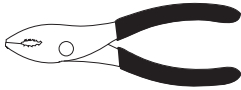
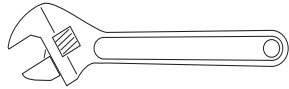
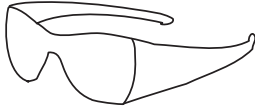
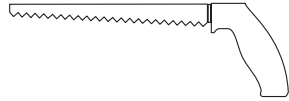
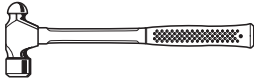


90° elbow with 3/4" N.P.T. female threads on one leg, and sized to fit your water supply line (copper tubing/ compression fitting, or braided hose) on the other leg.



UL listed conduit connector or strain relief.

Tools Needed

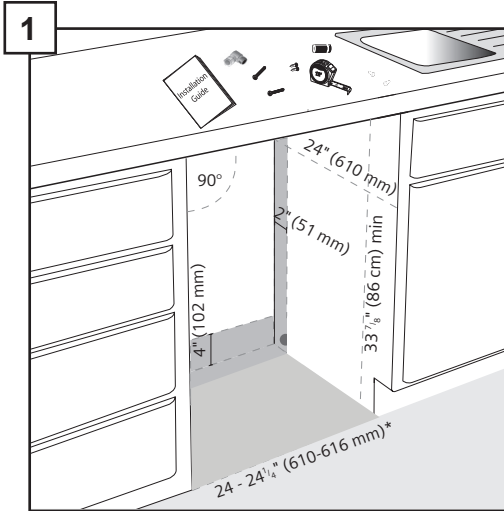


IMPORTANT!

Before you begin, you must read the safety instructions.

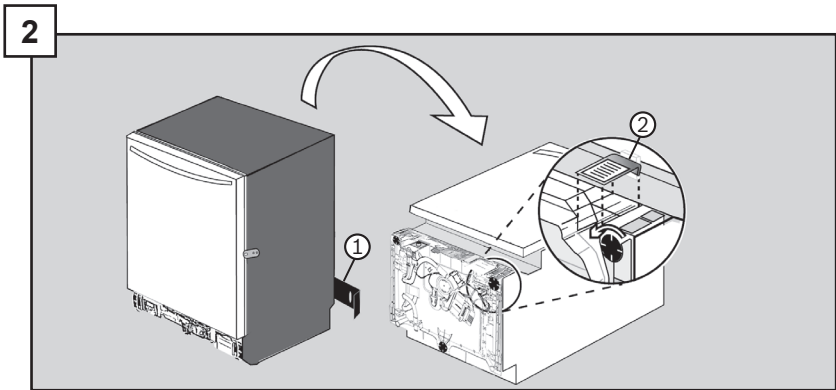
PRE-INSTALL CHECKLIST

- Unpack unit. Retain packing material until successful installation is complete.
- Remove all packing material from inside the dishwasher.
- Inspect parts to ensure you have all the necessary materials.
- Flush household hot water supply for at least two minutes.
- Measure the enclosure area.
- Is the opening at least 34" (863.6 mm) high and 24" (609.6 mm) wide?
- Is the opening near enough to the sink for the water line and drain hoses to access plumbing?
- Will the unit be installed close enough to the sink so that drain hose length does not exceed 92" (2336.8 mm) and so that a portion of the drain hose is raised at least 20" (508 mm) above the floor?
- Do the openings for electric cable, water line, and drain hose routing through cabinet fit within the shaded area in Figure 1?
- Are the openings sanded smooth if wood or covered by a protective gasket if metal?
- Is your water heater set at 120°F (49°C) and does water pressure measure 15-145 psi (1-10 bar)?
- If installing in a corner, will the dishwasher door clear cabinet hardware?
- Determine mounting method based on dishwasher model and countertop type (see Figures 6-8, 20).
- Only use included hardware for install. If replacing dishwasher, dispose of old hose and other equipment properly.

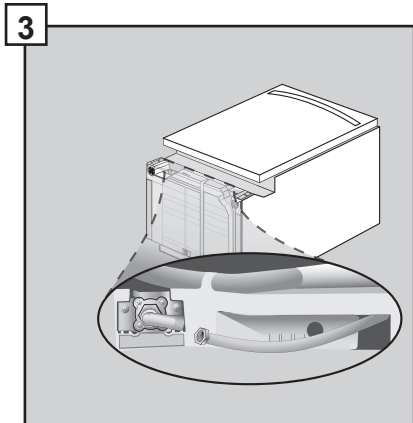


24" (600 mm) with side strips removed.

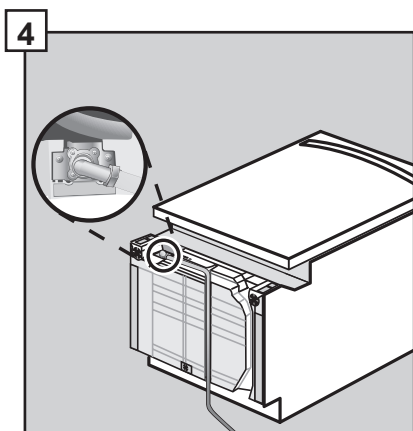
Minimum hole size for drain hose is 1 1/2" (38.1 mm). Minimum hole size if drain hose and inlet hose are through same hole is 2" (50.8 mm).



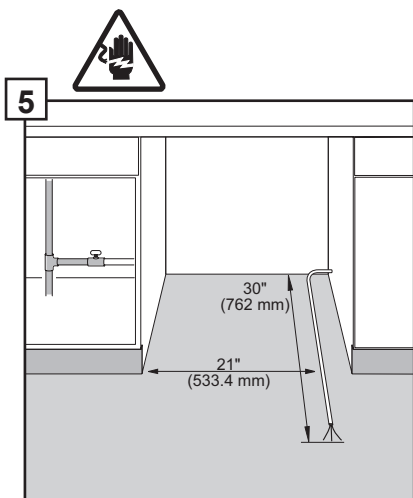
Remove the toe panel(s) (Part H **or** Parts I and J depending on model) (1) from the unit and retain for attachment to the front at a later time. Loosen the leg levelers slightly. Remove junction box cover and retain for later use (2). Discard the small piece of protective styrofoam.



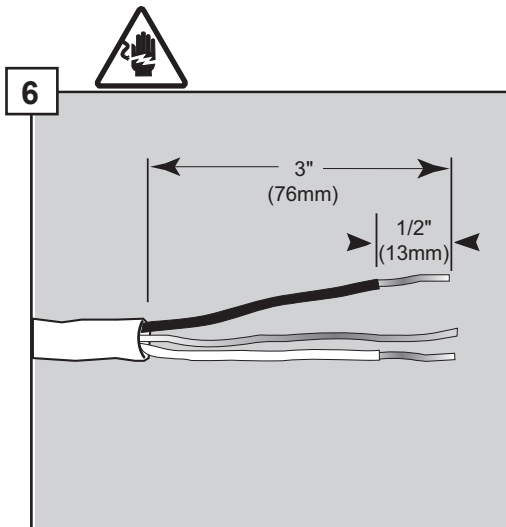
Attach 90° elbow joint to dishwasher oriented as shown. Do not over-tighten.



Attach hot water line to 90° elbow and route underneath machine toward hot water connection. Ensure the hose does not contact any moving parts beneath the unit.

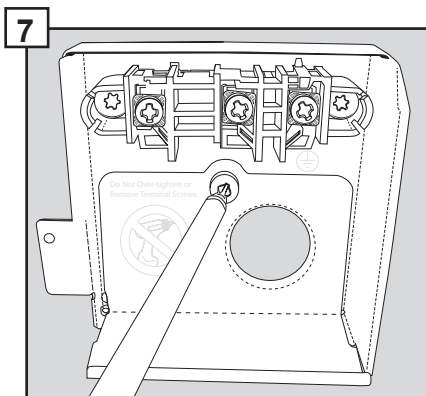


Turn power off at fuse box. Extend cable approximately 21" (533.4 mm) from the opening's left side. Extend the cable 30" (762 mm) from the back wall.



Strip outer casing of electrical wire to expose 3" (76.2 mm) of the inner wires. Then strip 1/2" (12.7 mm) casing from each individual wire.*

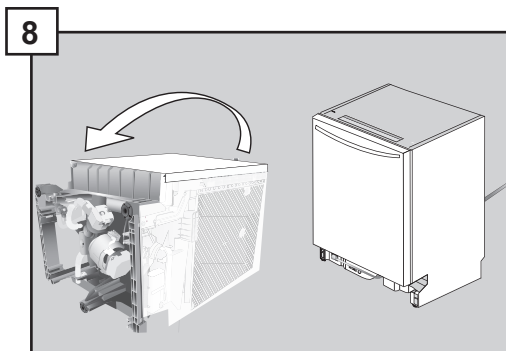
* If the dishwasher will be plugged into an electric receptacle, contact customer service (1-800-735-4328) to order approved power cord accessory kit (SKU # SGZPC001UC).



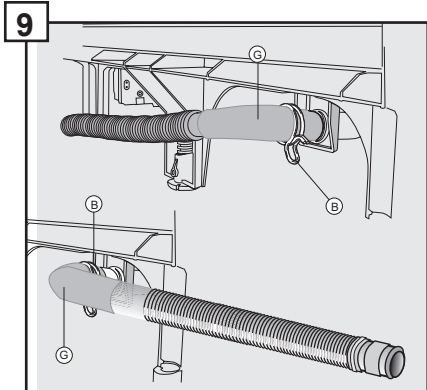
Remove strain relief plate. **Do not discard!** This will be reinstalled later.

Dishwasher Electrical Rating

Volts	Hertz	Amperes	Watts
120	60	12	1,450 (max)

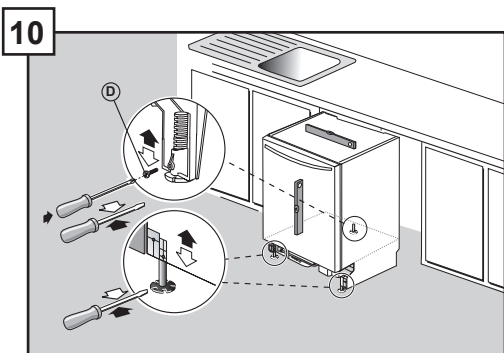


Flip unit back upright, ensuring waterline is not pinched.



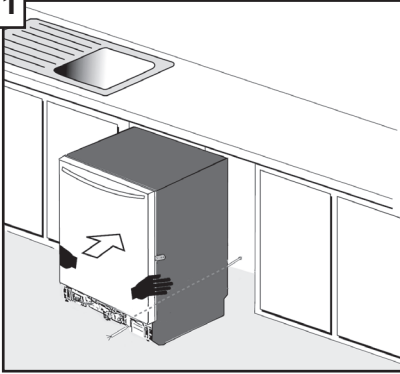
Orient hose toward direction of sink.

IMPORTANT: Route hose toward sink PRIOR TO connection. Do not turn after attachment. Attach drain hose elbow (Part G) to back of unit using pliers to install the spring clamp (Part B).



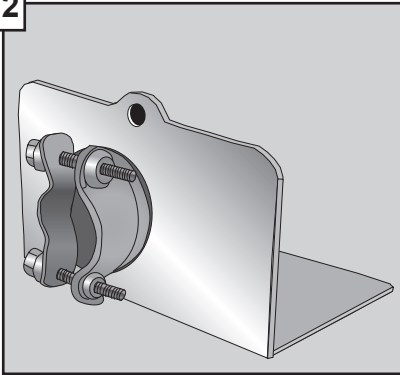
Pre-level unit before positioning under counter by turning feet clockwise to raise or counter-clockwise to lower. Maximum height the unit can be raised with feet fully extended is 34.5" (876.3 mm). Position unit under counter to verify that it is level. If adjustment is needed, remove unit from under counter and adjust as necessary. Once the unit is at a satisfactory height, insert leg leveler locking screw (Part D) in back foot. Step 18 will complete the leveling process.

11



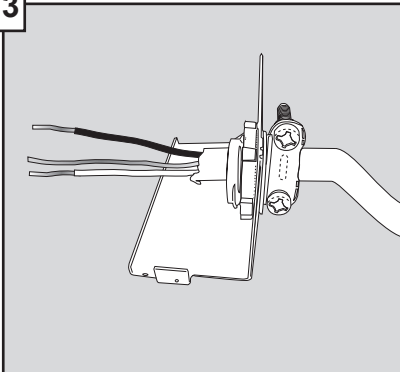
IMPORTANT: Do not allow leg levelers to scratch or mark floor. Place hands where pictured to push into place. As you slide the unit in, guide the water line and drain hose beneath the sink, and electric line beneath the unit toward the junction box at the front right side. Ensure that the excess drain hose is pushed through to the cabinet housing the sink. Units are typically positioned so that the door is flush with cabinet door and drawer fronts. For optimal noise reduction, ensure side strips are in contact with cabinet.

12



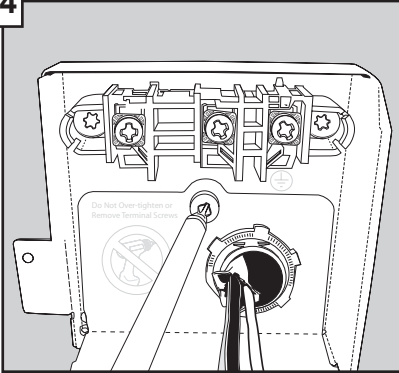
Attach the strain relief (not included) to the strain relief plate. The two screws on the back of the strain relief should be positioned as shown to prevent interferences during assembly. Tighten the strain relief lock nut to prevent the strain relief from turning.

13



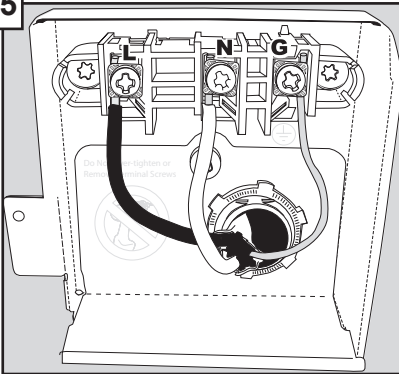
Pass wires through strain relief and plate. Tighten clamp around wires, oriented as shown. Bending the electrical cable as shown will ease installation of the strain relief plate.

14



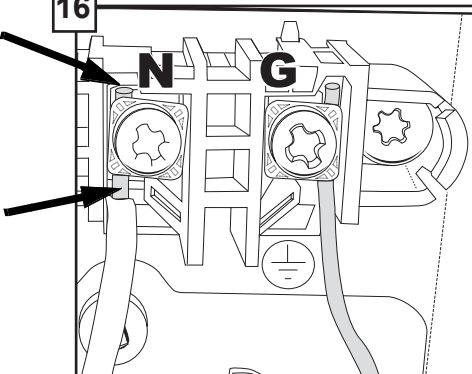
Place the assembled strain relief plate back into the junction box and re-attach the screw. Make sure the tab on the right side of the strain relief plate is outside the junction box as you slide it into place.

15



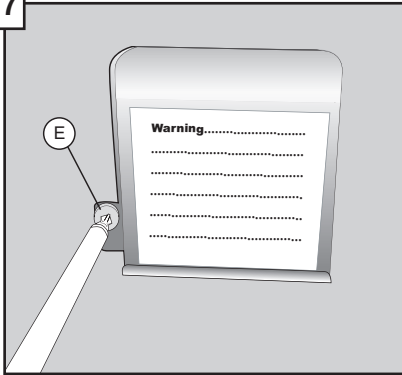
Note: Do not loosen or remove terminal screws! Damage may occur. Bend the wires so the exposed leads can reach the appropriate contacts. Insert the black (hot) wire into the left opening on the terminal strip marked “L”, the white (neutral) wire in the middle opening of the terminal strip marked “N”, and the bare copper or green (ground) wire into the right opening of the terminal strip marked “G”. **Hand tighten only. Do not use power tools.**

16



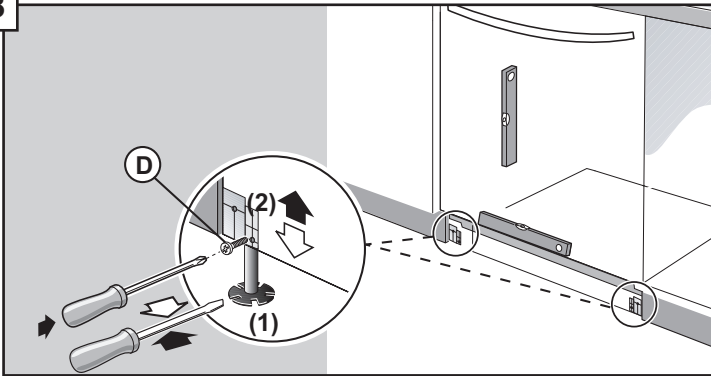
Make sure that the exposed (non-insulated) portion of each stripped wire shows above and below the terminal screw. Securely tighten the terminal screws, but do not **over-tighten** or damage may occur.

17



Replace junction box cover. Make sure the cover is seated behind the front lip of the strain relief plate. Attach the cover with the screw (Part E) from the installation kit.

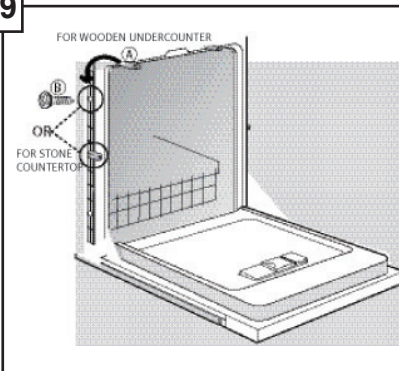
18



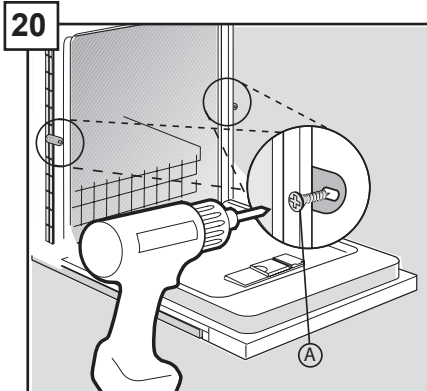
Level the dishwasher horizontally by turning feet (1) clockwise to raise or counter-clockwise to lower front of unit. Once level, (2) insert leg leveler locking screws (Part D) and tighten.

Note: If your countertop is wood, skip to Step 20.

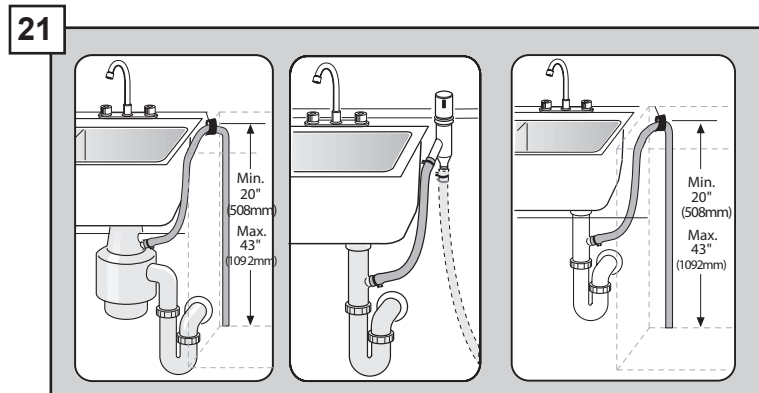
19



If your countertop is stone, detach mounting brackets (A) from the top and position them at either points on the side. Insert screw (B) through pre-positioned brackets on each side of the unit and attach the brackets.



Insert screws (Part A) through pre-positioned mounting brackets on each side of the unit and attach to enclosure (pre-drilling of holes recommended). Remove upper rack before inserting screws.



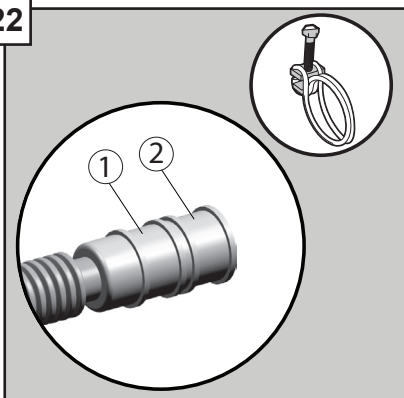
Route drain hose to household plumbing.

Note: Plumbing installations will vary - refer to local codes.

Always include a loop in the drain hose for proper function:

- Height of loop - Min. 20" (508 mm) - Max. 43" (1092.2 mm)
- Length of drain hose included on Dishwasher is 92" (2336.8 mm)
- Length of Hose Extension Kit SGZ1010UC is 76" (1930.4 mm). When adding an extension to the drain hose, the maximum length for proper Dishwasher function is 168" (4267.2 mm). Always use Drain Hose Extension Kit SGZ1010UC when extending the drain hose.

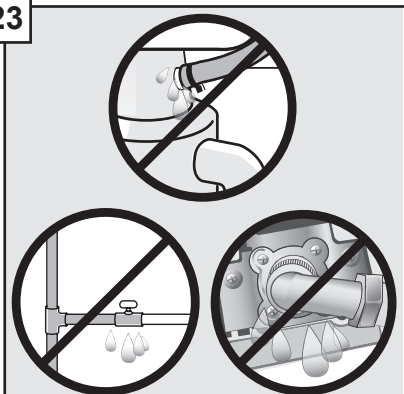
22



Attach drain hose to plumbing with screw clamp (position 1 for 1/2" [12.7 mm] connection or position 2 for 3/4" [19 mm] connection) and tighten. Do not cut drain hose.



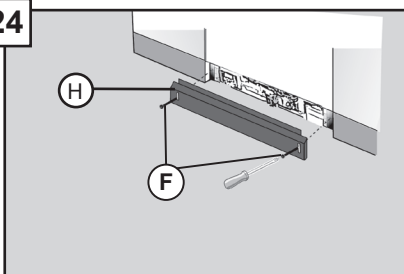
23



Attach water line to incoming hot water shut off valve. Turn on water and check for leaks. Turn power back on at fuse box. Start dishwasher and listen for water and pump for water distribution. Press Cancel/Reset to drain and check for leaks.

NOTE: If your dishwasher came with a fleece kit, follow the directions supplied in that kit to install the fleece.

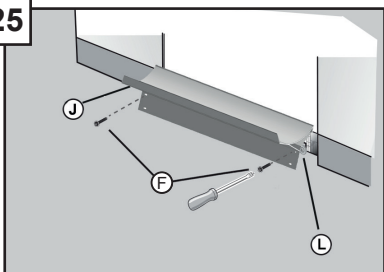
24



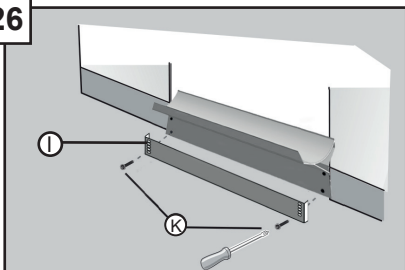
NOTE: If your toe panel is plastic, skip this step and go to steps 25-26.

Attach the metal toe panel (Part H) with screws (Part F) so it is flush with the floor.

Success! Your installation is now complete.

25

Slide screw (Part F), on the right side first, through the upper hole on the plastic toe panel (Part J), place washer (Part L) on the end of the screw, and attach the toe panel to the dishwasher by tightening the screw. Repeat for the left side.

26

Attach screws (Part K) through the metal toe panel (Part I) to the lower holes of the plastic toe panel so it is flush with the floor. Success! Your installation is now complete.

Customer Service

Your dishwasher requires no special care other than that described in the Care and Maintenance section of the Use and Care Manual. If you are having a problem with your dishwasher, before calling for service please refer to the Troubleshooting section in the Use and Care Manual. If service is necessary, contact your dealer or installer or an authorized service center.

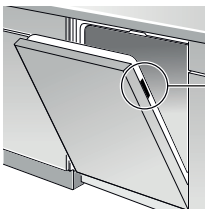
Do not attempt to repair the appliance yourself. Any work performed by unauthorized personnel may void the warranty. If you are having a problem with your dishwasher and are not pleased with the service you have received, please take the following steps (in the order listed below) until the problem is corrected to your satisfaction:




1. Contact your installer or the Authorized Service Contractor in your area.
2. Write us at the address below:
BSH Home Appliances Corporation
1901 Main Street
Irvine, CA 92614
3. Call us at the Customer Service phone number before calling retailer for technical problems :
1-800-944-2904

Please be sure to include (if you are writing), or have available (if you are calling), the following information:

- Model number (SH_____UC)
- Serial number (FD_____)
- Date of original purchase (mm/dd/yyyy)
- Date the problem originated (mm/dd/yyyy)
- Explanation of the problem
- Daytime phone number where you can be reached.

Please make a copy of your invoice and keep it with this manual. The customer must show proof of purchase to obtain warranty service.



BOSCH	Cust. Service (SERVICE CLIENTÈLE): 1-800-944-2904			ENERGY STAR RATED BY EPA
MODEL NUMBER (NUMERO DE MODELE)	~ 120 V 12.0 A 60 Hz	C US	(RESIDENTIAL)	
SH#####UC/06	0.2 kW ~ITL 1.2 kW	LISTED (LISTE)		
FD910300001	Made in the USA of US and imported parts (Fabrique aux E.-U. de pieces E.-U. et importees)	7666 DISHWASHER (LAVE-VAISSELLE E103022	Certified residential dishwashers are not intended for use in food establishments. Les lave-vaisselle domestiques certifies ne sont pas destines aux etablissements alimentaires professionnels.	EP9132762
SN6P5B	10103098989100011			



Consignes de sécurité importantes: Veuillez LIRE et CONSERVER ces informations

Afin d'éviter toute possibilité de blessures ou de dommages matériels VEUILLEZ OBSERVER TOUS LES AVERTISSEMENTS ET PRÉCAUTIONS.

Ces instructions sont destinées uniquement à l'usage des installateurs qualifiés. L'installation du lave-vaisselle doit être effectuée par un technicien de maintenance ou un installateur qualifié.

- Outre ces instructions, l'installation du lave-linge doit être effectuée conformément à tous les codes et ordonnances nationaux et locaux en matière d'électricité et de plomberie.

Lire cette notice d'installation entièrement et s'y conformer scrupuleusement. Cette notice vous permettra d'économiser du temps et des efforts et vous aidera à assurer la sécurité et l'efficacité optimale de votre lave-vaisselle.

IMPORTANT

- Le tuyau de vidange du lave-vaisselle doit être installé de façon à ce qu'une partie du tuyau soit à 20 pouces (508 mm) minimum au-dessus du plancher de l'armoire ; autrement, le lave-vaisselle risque de ne pas se vidanger correctement.
- Ce lave-vaisselle est destiné à un usage domestique uniquement et ne doit pas être utilisé par des établissements de service alimentaire commerciaux.
- Ce lave-vaisselle est conçu pour être fermé sur le dessus et les deux côtés par des armoires.
- NOUVELLE INSTALLATION - Si le lave-vaisselle est installé pour la première fois, la plupart des travaux d'installation doivent être réalisés avant que l'appareil ne soit mis en place.
- REMPLACEMENT - Si le lave-vaisselle est installé en remplacement d'un autre, vérifier les raccordements du lave-vaisselle existant pour vous assurer qu'ils sont compatibles à ceux du nouveau lave-vaisselle, et remplacer les pièces qui doivent l'être.
- Cet appareil a été trouvé conforme à la norme CAN/CSA-C22.2 n° 167/UL 749. Le propriétaire et l'installateur ont la responsabilité de déterminer si des exigences et normes supplémentaires s'appliquent à des installations spécifiques.
- Non pour l'usage en extérieur.



AVERTISSEMENT

Prévention des dangers d'ordre général



Ne pas utiliser le lave-vaisselle tant que l'installation n'est pas complètement terminée. Pour ouvrir la porte d'un lave-vaisselle dont l'installation n'est pas terminée, agir avec prudence et en soutenant la partie arrière de l'appareil. Le non respect de cet avertissement peut entraîner le basculement du lave-vaisselle et provoquer de graves blessures.

Avant d'installer les pattes de fixation pour comptoir en « L » (certains modèles) fournies, déterminer la méthode à utiliser pour fixer solidement le lave-vaisselle dans l'ouverture. Une fois les pattes de fixation installées sur le lave-vaisselle, il sera difficile de les retirer sans les abîmer ainsi que le lave-vaisselle.

Sous certaines conditions, un chauffe-eau peut produire de l'hydrogène s'il n'a pas été utilisé pendant plusieurs semaines. L'hydrogène est un gaz explosif. Avant de remplir un lave-vaisselle en utilisant de l'eau fournie par un chauffe-eau qui n'a pas fonctionné pendant plusieurs semaines, faites couler l'eau d'un robinet situé à proximité, dans un endroit bien aéré, jusqu'à ce qu'il n'y ait plus de bruit et qu'aucun dégagement de gaz ne se manifeste de façon visible.

Le retrait d'une paroi ou le fait de tirer le lave-vaisselle hors de son encastrement peut exposer les conduites d'eau chaude, l'alimentation électrique et certains rebords et angles tranchants. Effectuer ces manœuvres avec prudence.



Éviter les chocs électriques / Feu Dangers

Ne pas tenter d'intervenir sur un circuit sous tension. Vous risquez autrement des blessures graves, voire la mort. Seuls les électriciens qualifiés doivent effectuer des travaux sur l'installation électrique. Ne pas tenter d'intervenir sur le circuit électrique du lave-vaisselle à moins d'être certain que celui-ci est hors tension.

Vérifier que l'installation électrique est correctement réalisée. Il ne doit y avoir aucun raccordement électrique lâche. Vérifier que tous les branchements électriques sont correctement effectués.

Le client a la responsabilité de vérifier que l'installation électrique du lave-vaisselle est conforme à tous les codes et ordonnances électriques nationaux et locaux. Le lave-vaisselle a été conçu pour fonctionner avec une alimentation électrique en courant alternatif de 120 volts, 60 Hz, connectée à un circuit électrique correctement mis à la terre, adapté au lave-vaisselle, avec protection par fusible ou disjoncteur d'une puissance de 15 ampères. Les conducteurs d'alimentation électrique doivent être uniquement en fil de cuivre de calibre 14 AWG minimum pour une température nominale de 75°C (167°F) ou plus.

Cet appareil doit être raccordé à un système de câblage en métal permanent mis à la terre ou un conducteur de terre de l'appareil doit être utilisé avec les conducteurs de circuit et raccordé à la borne ou au fil de terre du lave-vaisselle. Ne pas utiliser de rallonge.

Prévention des dangers d'ébouillantage et liés aux travaux de plomberie



Ne pas tenter de travailler sur une conduite d'eau chaude chargée. De graves blessures pourraient survenir. Seuls les plombiers qualifiés doivent effectuer des travaux sur la tuyauterie. Ne pas tenter d'intervenir sur la tuyauterie d'alimentation d'eau chaude du lave-vaisselle tant que vous n'êtes pas certain que l'alimentation d'eau chaude est coupée.

Les températures nécessaires pour souder et exsuder risquent d'endommager la base et le robinet d'arrivée d'eau du lave-vaisselle. Si certains tuyaux doivent être soudés ou exsudés, maintenir la source de chaleur au à 6 pouces (152,4 mm) minimum de distance de la base et du robinet d'arrivée d'eau du lave-vaisselle.

Consulter les codes de plomberie locaux pour connaître les procédures et accessoires de plomberie approuvés. Tous les travaux de plomberie doivent être réalisés conformément aux codes nationaux et locaux.

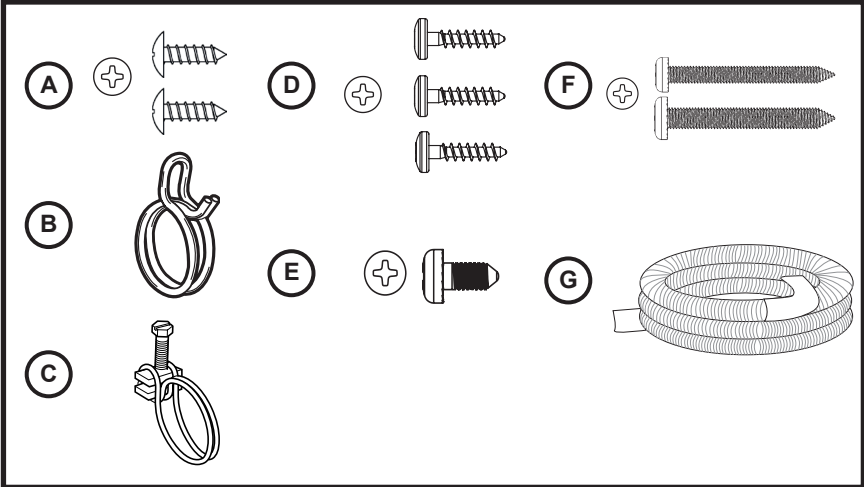
Ces instructions décrivent la méthode d'installation des flexibles tressés en acier inoxydable ou des conduites d'eau chaude en polyéthylène réticulé. Si vous utilisez des tubes en cuivre ou d'un matériau différent pour l'alimentation en eau, faire appel à un plombier autorisé afin d'assurer une installation adéquate.

Inspection du lave-vaisselle

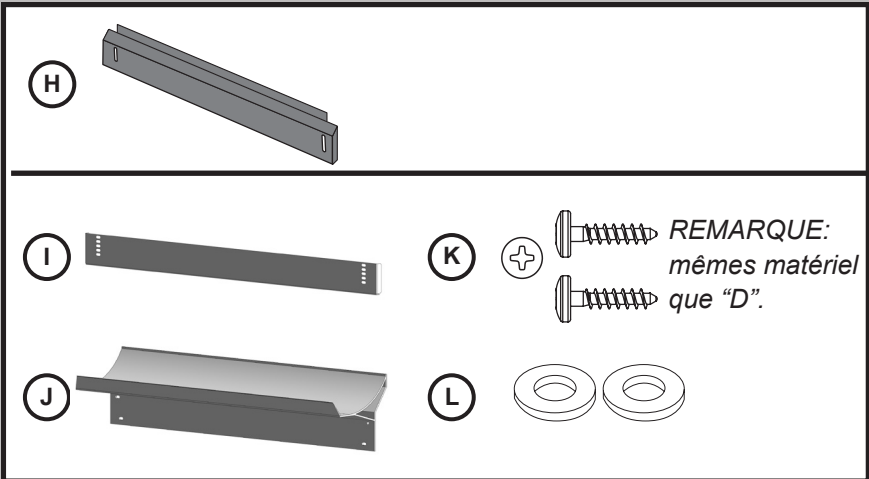
Après avoir déballé le lave-vaisselle et avant son installation, examinez-le attentivement pour déceler d'éventuels dégâts esthétiques ou liés au transport. Signaler immédiatement tout dégât. Les défauts esthétiques doivent être signalés dans un délai de 30 jours à compter de l'installation.

REMARQUE : ne pas jeter les sacs ou les éléments contenus dans l'emballage d'origine avant d'avoir complètement terminé l'installation du lave-vaisselle.

Matériel Fourni (tous les modèles)



Matériel Fourni (selon le modèle)



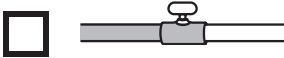
Matériel Nécessaires



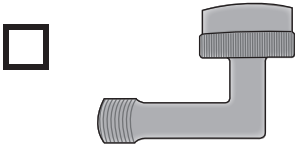
Câble d'alimentation électrique - Minimum n° 14 AWG, 2 conducteurs, 1 mise à la terre, conducteur en cuivre isolé coté 75°C (167°F) ou plus.



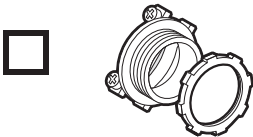
Tuyau de canalisation en eau chaude - Tuyau en cuivre, minimum 3/8 po O.D., PEX, ou canalisation en métal bridé.



Soupape d'arrêt et raccords appropriés pour canalisation en eau chaude (tuyau en cuivre/raccord à compression ou tuyau bridé).

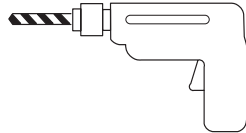
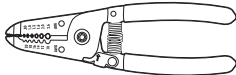
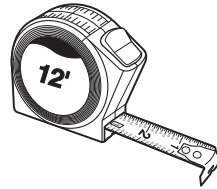
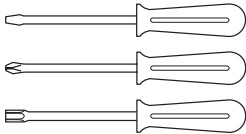
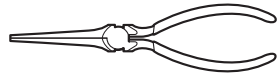
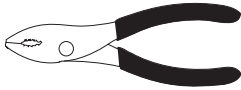
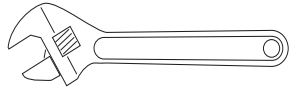
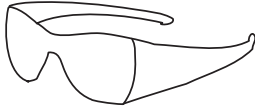
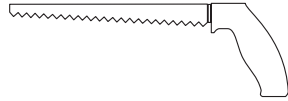
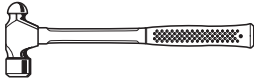


Coude 90° avec filets femelle 3/4 po N.P.T. sur un pied, dont la dimension s'ajuste à la canalisation en eau (tuyau en cuivre/raccord à compression ou tuyau bridé) sur l'autre pied.



Connecteur de conduit listé UL ou soupape de sécurité.

Outils Nécessaires

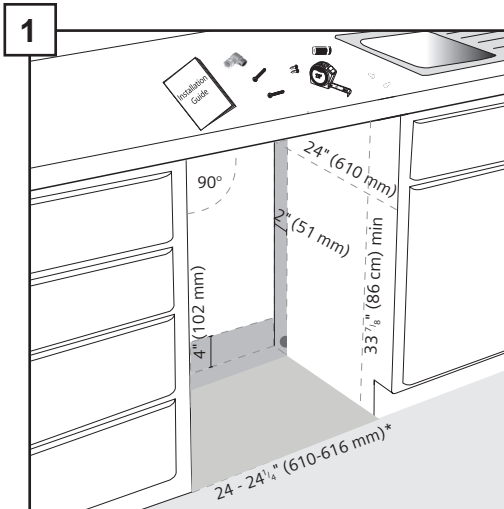


IMPORTANT !

Avant de commencer l'installation, vous devez lire les règles de sécurité figurant au dos de cette page.

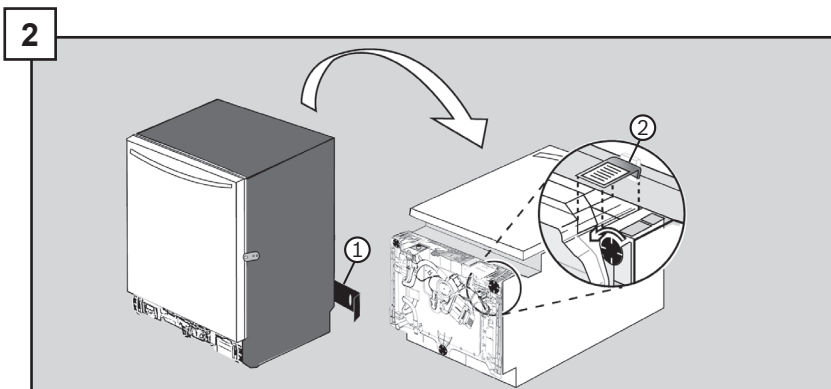
VÉRIFICATIONS AVANT L'INSTALLATION

- Déballer le lave-vaisselle. Conserver le matériel d'emballage jusqu'à ce que l'installation soit parfaitement terminée.
- Retirer tout le matériel d'emballage qui se trouve à l'intérieur du lave-vaisselle.
- Vérifier chaque pièce pour être sûr de bien avoir tout le matériel nécessaire.
- Faire couler le robinet d'eau chaude pendant au moins deux minutes.
- Mesurer les dimensions de l'emplacement dans lequel sera placé le lave-vaisselle.
- Cet emplacement a-t-il une hauteur minimum de 34 po (863.6 mm) et une largeur minimum de 24 po (609.6 mm) ?
- Cet emplacement est-il assez près de l'évier afin de faciliter l'accès au tuyau d'alimentation en eau et au tuyau de vidange ?
- Le lave-vaisselle sera-t-il placé assez près de l'évier afin que le tuyau de vidange n'excède pas une longueur de 92 po (2336.8 mm) et qu'une partie de ce tuyau soit surélevée d'au moins 20 po (508 mm) par rapport au niveau du sol ?
- Est-ce que l'espace à travers lequel vont passer le câble électrique, le tuyau d'alimentation en eau et le tuyau de vidange est assez grand ? Il doit correspondre à la zone grisée du schéma 1.
- Si le placard est en bois, cet espace est-il correctement poncé ou, si le placard est en métal est-il recouvert d'un joint protecteur ?
- Est-ce que votre chauffe-eau est réglé sur 120°F (49°C) et la pression de l'eau est-elle comprise entre 15 et 145 livres/ po² (1-10 bars) ?
- Si votre lave-vaisselle doit être installé dans un angle de la cuisine, y a-t-il suffisamment d'espace pour que la porte du lave-vaisselle puisse s'ouvrir complètement ?
- Déterminer la méthode de montage en fonction du modèle de lave-vaisselle et du matériau du plan de travail (voir les schémas 6-8, 20).
- Utilisez seulement le matériel inclus pour installer. Si remplaçant le lave-vaisselle, débarrassez-vous du vieux tuyau et de tout autre équipement correctement.

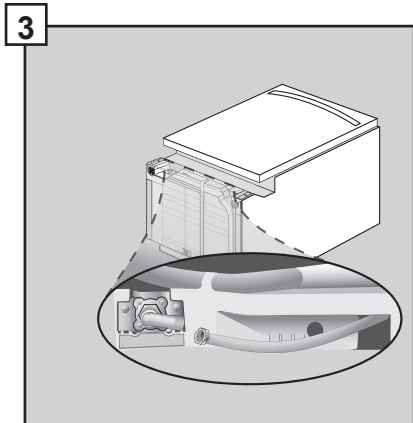


24" (600 mm) avec les bandes latérales enlevées.

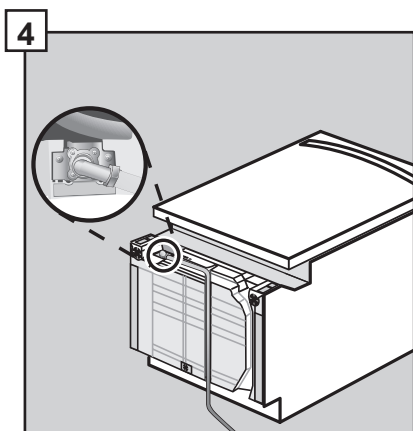
El tamaño mínimo del agujero para la manga de desagüe es 1 1/2". El tamaño mínimo del agujero si la manga de desagüe y la manguera de la entrada están a través del mismo agujero es 2".



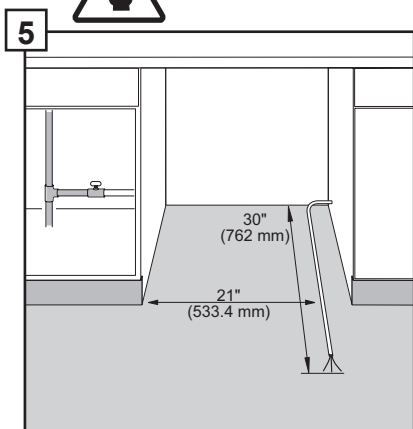
Coucher le lave-vaisselle sur sa partie arrière. Retirer le panneau inférieur. Desserrer les niveleurs des pieds (2). Enlever le couvercle de la boîte de jonction et le mettre de côté pour pouvoir le replacer plus tard.



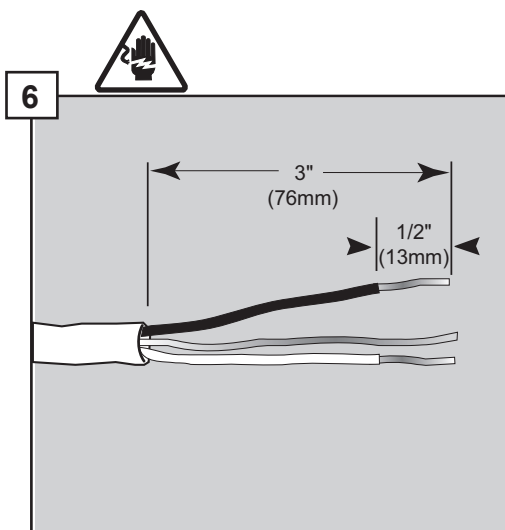
Fixer le raccord coude 90° au lave-vaisselle en l'orientant comme indiqué sur le schéma. Ne pas trop serrer.



Raccorder le tuyau d'eau chaude au coude 90° et dirigez au-dessous de la machine vers la connexion chaude d'eau. S'assurer que le tuyau n'entre pas en contact avec les pièces mobiles de l'appareil.

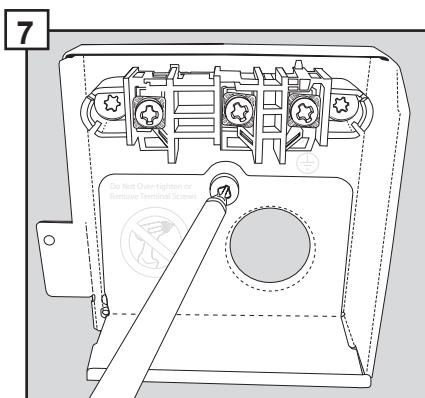


Couper le courant électrique qui doit alimenter le lave-vaisselle. Indépendamment d'où vient le câble électrique, il faut le placer à 21 po (533.4 mm) de distance du côté gauche de l'emplacement réserver au lave-vaisselle et le faire courir sur 30 po (762 mm) depuis le mur du fond.



Dénuder le câble électrique de 3 po (76 mm) afin de faire apparaître les fils électriques intérieurs. Dénuder ensuite chacun de ces fils de 1/2 po (13 mm).*

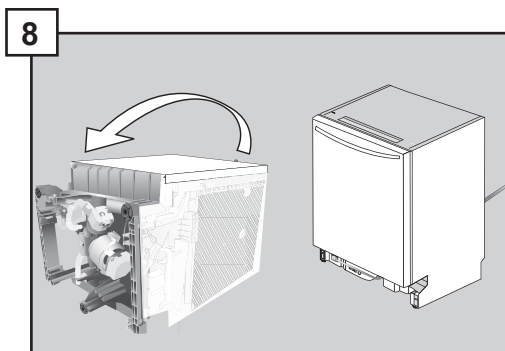
* Si le lave-vaisselle doit être connecté à un réceptacle électrique, contacter le service clientèle pour commander un autre kit d'installation qui sera adapté (SKU # SGZPC001UC).



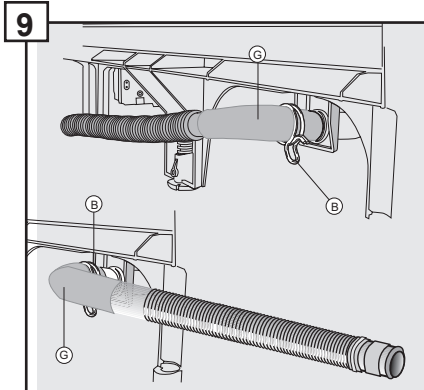
Retirer la plaque du réducteur de tension. Ne pas jeter! Elle devra être replacer plus tard.

Cote électrique du lave-vaisselle

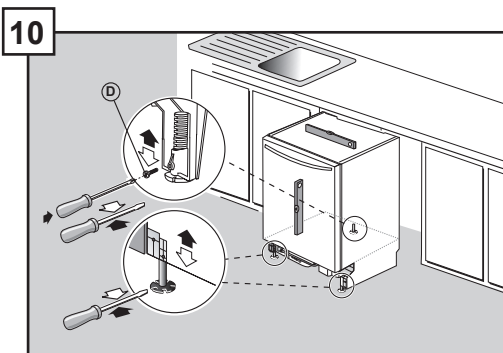
Volts	Hertz	Amperes	Watts
120	60	12	1,450 (max)



Faire basculer le lave-vaisselle vers l'avant pour qu'il soit à nouveau debout en s'assurant, d'une part, que le tuyau d'alimentation d'eau ne soit pas écrasé et, d'autre part.

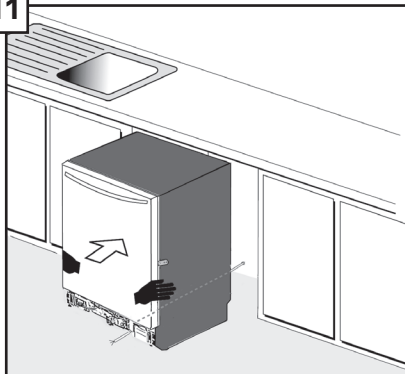


Orienter le tuyau vers la direction d'évier. **IMPORTANT** : Le tuyau de route vers l'évier AVANT la connexion. Ne pas tourner après attachement. Connectez le tuyau de vidange (G) au dos de lave-vaisselle en utilisant des pinces pour serrer la pince (B).



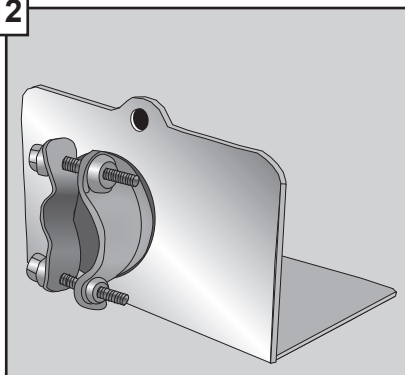
L'unité pré-égale avant de disposer sous le compteur en tournant des pieds dans le sens des aiguilles d'une montre s'élever ou contrarier-dans le sens des aiguilles d'une montre abaisser. La hauteur maximale de l'appareil peut être élevée, avec les pieds complètement sortis, à 34,5 (876.3 mm) po. Position dans l'unité de compteur pour vérifier qu'il est de niveau. Si un réglage est nécessaire, retirez sous unité de comptoir et ajuster si nécessaire. Une fois l'appareil à une hauteur satisfaisante, insérer la vis de verrouillage du pied niveleur (D) sur le pied arrière. L'étape 18 compléteront le procédé nivelant.

11



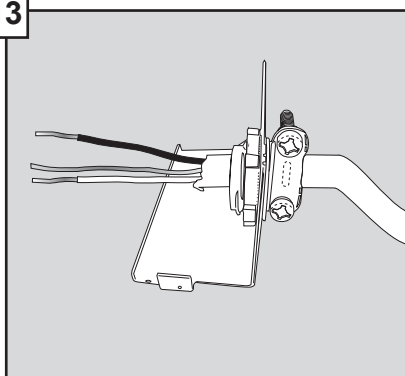
IMPORTANT : Ne pas permettre levelers à la jambe pour gratter ou marquer le plancher. L'endroit transmet où a imaginé pour pousser à sa place. Positionner les mains comme illustré pour pousser l'appareil dans l'ouverture. Acheminer la canalisation d'eau et le tuyau de drainage vers l'évier et l'alimentation électrique sous l'appareil vers le boîte de jonction du côté avant droit. S'assurer que l'excès de tuyau de drainage est poussé par l'armoire abritant l'évier. L'appareil est généralement positionné de façon à ce que la porte soit à égalité avec la porte de l'armoire et les tiroirs avant. Pour une réduction optimale du bruit, s'assurer que les bandes sont en contact avec l'armoire.

12



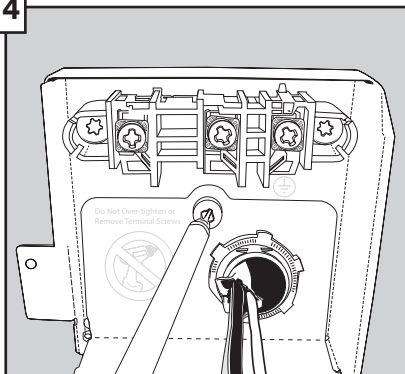
Disposer le réducteur de tension (non inclus) dans la plaque du réducteur de tension. Fixer le réducteur de tension à sa plaque. Les deux vis à l'arrière du réducteur de tension doivent être positionnées comme indiqué sur le schéma afin de prévenir toute interférence pendant l'assemblage. Serrer l'écrou du réducteur de tension afin d'éviter que celui-ci ne bouge.

13



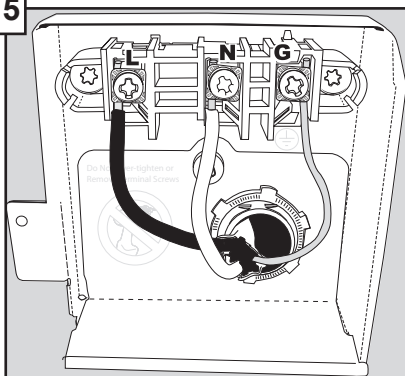
Faire passer le câble électrique à travers le réducteur de tension et la plaque. Serrer le serre-joint comme indiqué sur le schéma. À l'aide d'une pince, plier l'extrémité du câble électrique comme indiqué sur le schéma. Ceci facilitera l'installation de la plaque du réducteur de tension.

14



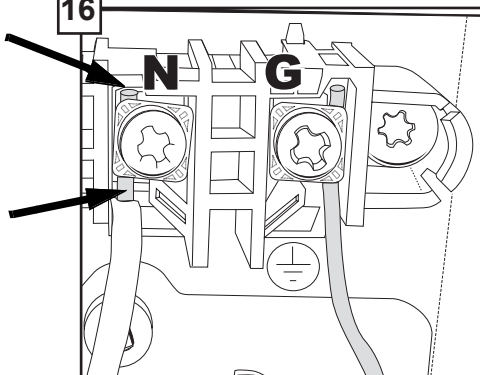
Replacer alors la plaque du réducteur de tension dans la boîte de jonction et replacer la vis. S'assurer que l'étiquette située en bas de la plaque se trouve à l'extérieur de la boîte de jonction au moment de l'assemblage.

15



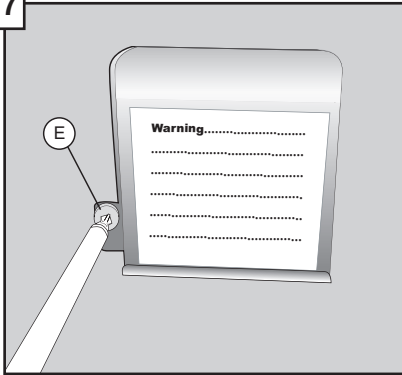
Important : Ne pas desserrer ou retirer les vis principales! Cela risque d'engendrer des dégâts matériels. À l'aide d'une pince, tordre les fils électriques afin qu'ils soient bien positionnés. Introduire le fil noir (chaud) dans le trou de gauche indiqué par la lettre « L »; le fil blanc (neutre) dans le trou du milieu indiqué par la lettre « N » et le fil en cuivre ou du couleur verte (terre) dans le trou de droite indiqué par la lettre « G ». La main serrent seulement. **N'utilisez pas les machines-outils.**

16



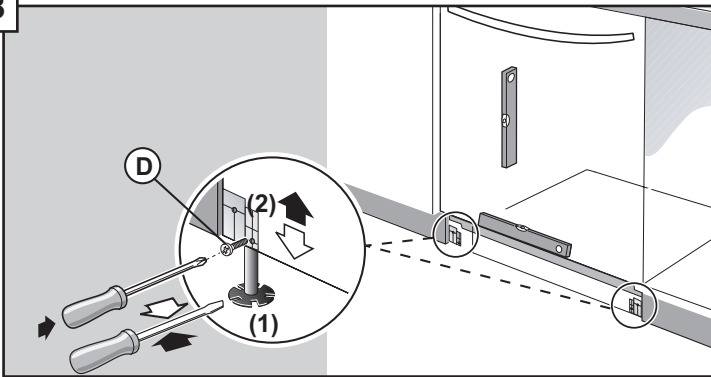
S'assurer que la partie dénudée (non isolée) de chaque fil soit bien visible au-dessous et au-dessus de chaque vis principale. Visser avec soin ces dernières **sans serrer trop fort** car cela pourrait entraîner des dégâts matériels.

17



Remplacer le couvercle de la boîte de jonction. S'assurer qu'il soit bien placé derrière la face avant de la plaque du réducteur de tension. Fixer la plaque grâce à la vis (pièce E du kit d'installation).

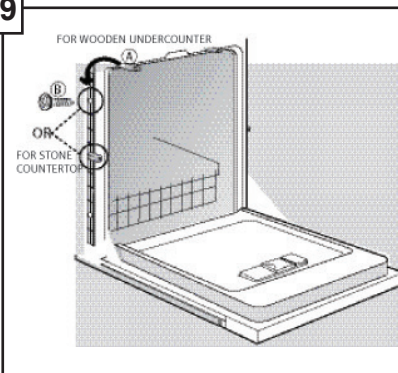
18



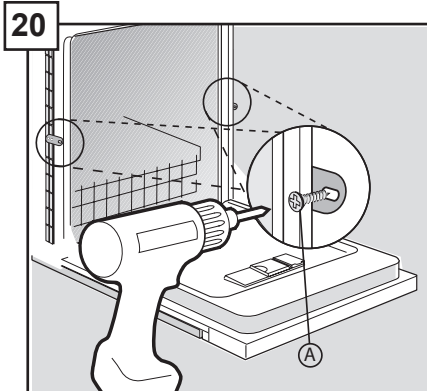
Mettre le lave-vaisselle horizontalement à niveau le lave-vaisselle en tournant les niveleurs des pieds avant (1) dans le sens des aiguilles d'une montre pour soulever la partie avant du lave-vaisselle ou dans le sens inverse des aiguilles d'une montre pour l'abaisser. Une fois que le lave-vaisselle est bien stable, (2) placer et visser la vis (D) qui permettra de bloquer définitivement le niveau choisi.

Remarque : Si votre comptoir est en bois, passez à l'étape 20.

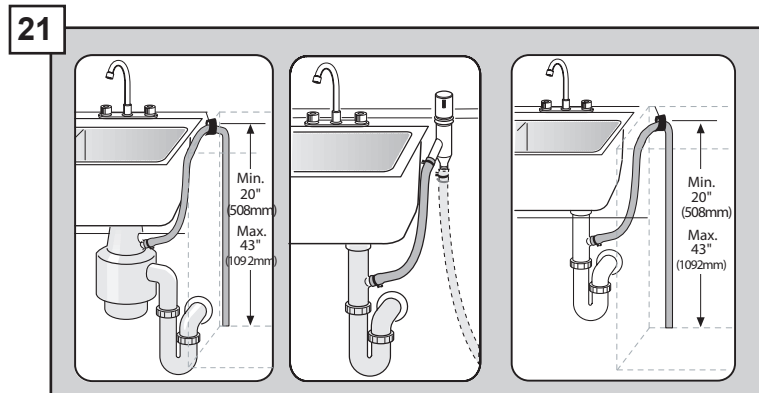
19



Si votre comptoir est en pierre, détacher les supports de montage (A) par le haut et leur position à chaque points sur le côté. Introduire la vis (B) par le biais de pré-supports situés de chaque côté de l'unité et fixez les supports.

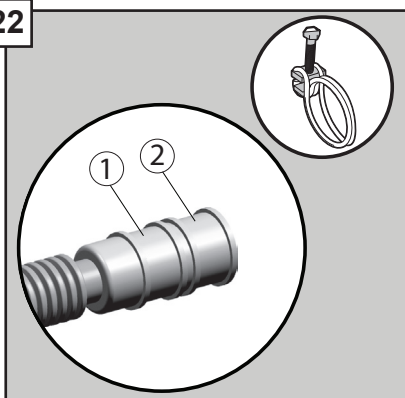


Placer les vis (pièces A du kit d'installation) dans les fixations et visser afin que le lave-vaisselle soit solidement fixé au plan de travail (il est recommandé de percer préalablement les trous dans le plan de travail). Enlever la grille supérieure avant d'insérer les vis.



Le tuyau d'égoût de route à la plomberie de ménage.
 Important : les travaux de plomberie peuvent suivre des règles différentes en fonctions des normes régionales. La longueur maximum du tuyau de vidange, en incluant la partie qui mène à l'évacuation de la vapeur, doit être de 150 po (3810 mm). S'assurer qu'une partie du tuyau de vidange soit surélevée d'au moins 20 po (508 mm) par rapport au niveau du sol.

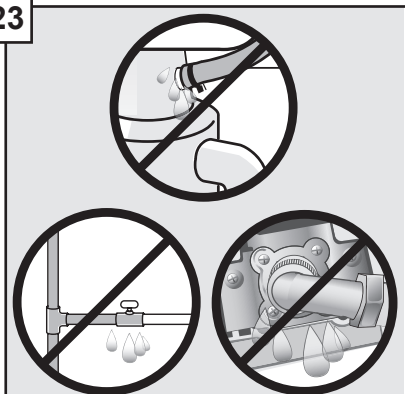
22



Attacher le tuyau d'égout la plomberie avec le serre-joint de vis (dispose 1 pour 1/2" ou dispose 2 pour 3/4") et resserre. Ne pas couper le tuyau d'égout.



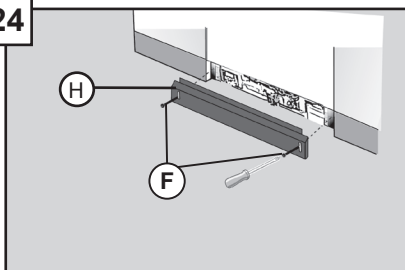
23



Relier le tuyau d'alimentation en eau à la valve d'arrivée d'eau chaude. Faire couler l'eau et vérifier qu'il n'y ait pas de fuite. Rétablir le courant électrique. Démarrer le lavage, écouter l'eau affluée et la pompe de distribution de l'eau. Presser arrêter la vidange/ Reponga et vérifier qu'il n'y ait pas de fuite.

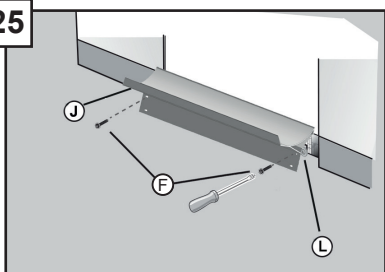
REMARQUE : Si votre viande avec lave-vaisselle kit polaire, suivez les instructions fournies dans le kit à installer que le voile.

24

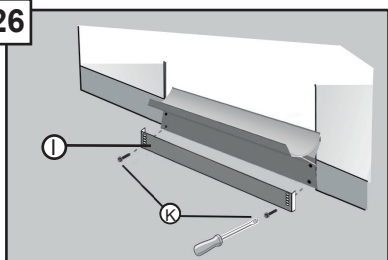


REMARQUE : si votre panneau de plancher est en plastique, sautez cette étape et passez aux étapes 25-26.

Recouvrir le tout avec le panneau inférieur en métal (pièce H) en utilisant les vis (pièce F) pour qu'il soit bien aligner avec le sol. Félicitations! L'installation est maintenant terminée.

25

Glissez la vis (pièce F), du côté droit en premier, à travers le trou supérieur du panneau de plancher en plastique (pièce J), placez la rondelle (pièce L) à l'extrémité de la vis et fixez le panneau de plancher au lave-vaisselle en serrant la vis. Répétez ces étapes pour le côté gauche.

26

Fixez les vis (pièce K) à travers le panneau de plancher métallique (pièce I) aux trous inférieurs du panneau de plancher en plastique de façon à ce qu'il soit au niveau avec le plancher. Félicitations! L'installation est maintenant terminée.

Service à la Clientèle

Ce lave-vaisselle ne requiert aucun entretien spécial autre que ce qui est décrit dans la section Entretien de le guide d'utilisation et d'entretien. En cas de problème avec le lave-vaisselle, avant d'effectuer un appel de service, voir la section Aide. Si un service est nécessaire, communiquer avec le marchand ou l'installateur ou un centre de service autorisé. Ne pas tenter d'effectuer soi-même la réparation. Toute réparation effectuée par un personnel non autorisé peut annuler la garantie.

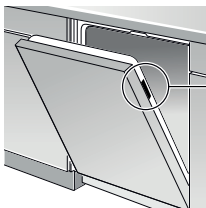
Si l'on a un problème avec le lave-vaisselle et que l'on n'est pas satisfait du service reçu, prendre les mesures suivantes (dans l'ordre indiqué ci-dessous) jusqu'à ce que le problème soit corrigé :




1. Communiquer avec l'installateur ou le centre de service dans la région.
2. Nous contacter par notre site web. Voir le guide d'utilisation et d'entretien pour les instructions.
3. Écrire à :
BSH Home Appliances Corporation
1901 Main Street
Irvine, CA 92614
4. Téléphoner au service à la clientèle au numéro indiqué sur l'étiquette placée sur le bord droit de la porte du lave-vaisselle.
1-800-944-2904

S'assurer d'inclure (par écrit) ou avoir sous la main (par téléphone) l'information suivante :

- Numéro de modèle (SH _____ UC)
- Numéro de série (FD _____)
- Date d'achat d'origine (mm/dd/yyyy)
- Date du début du problème (mm/dd/yyyy)
- Explication du problème

Se il vous plaît faire une copie de votre facture et la conserver dans ce manuel. Le client doit présenter une preuve d'achat pour obtenir un service de garantie.



BOSCH Cust. Service (SERVICE CLIENTÈLE): 1-800-944-2904		 C US			ENERGY VERIFIED BY EPA/DOE/ICC ENERGY STAR
MODEL NUMBER (NUMERO DE MODELE) SH#####UC/06		~ 120 V 12.0 A 60 Hz			
FD910300001		① 0.2 kW ~ 1.2 kW		RESIDENTIAL	
SN6P5B 1010309899100011		Made in the USA of US and imported parts (Fabriqué aux É.-U. et pièces É.-U. et importées)		E 103002	
				Certified residential dishwashers are not intended for commercial establishments. Les lave-vaisselle résidentiels certifiés ne sont pas destinés aux établissements commerciaux agréés.	



Instrucciones de seguridad importantes: Por favor lea y guarde esta información

Para evitar posibles lesiones o daños materiales, RESPETE TODAS LAS ADVERTENCIAS Y PRECAUCIONES. Estas instrucciones están diseñadas para ser usadas únicamente por instaladores calificados. La lavadora de platos debe ser instalada por un técnico de servicio técnico o instalador calificado.

- Además de estas instrucciones, la lavadora de platos debe instalarse de conformidad con todos los códigos y las ordenanzas de electricidad y de plomería (nacionales y locales).

Lea estas instrucciones de instalación completamente y sígalas con cuidado. Le ahorrarán tiempo y esfuerzo, y le ayudarán a asegurarse de que el rendimiento de la lavadora de platos sea óptimo y seguro.

IMPORTANTE

- La manguera de drenaje de la lavadora de platos debe instalarse manteniendo una parte de esta, al menos, a una distancia de 20" (508 mm) del piso del gabinete; de lo contrario, es posible que la lavadora de platos no drene correctamente.
- Esta lavadora de platos ha sido diseñada para uso residencial en interiores únicamente y no debe usarse en establecimientos comerciales de servicios de comidas.
- Este lavavajillas está diseñado para ser cerrado en la parte superior y ambos lados por los gabinetes.
- **NUEVA INSTALACIÓN:** si la lavadora de platos es una instalación nueva, la mayoría del trabajo debe realizarse antes de que la lavadora de platos sea colocada en su lugar.
- **REEMPLAZO:** si la lavadora de platos reemplaza a otra lavadora de platos, verifique las conexiones de la lavadora de platos existente para ver la compatibilidad con la nueva lavadora de platos y reemplace las piezas según sea necesario.
- Este electrodoméstico cumple con la norma CAN/CSA-C22.2 n.º 167/UL 749. Es responsabilidad del propietario y del instalador determinar si se aplican otros requisitos y normas en instalaciones específicas.
- Esta unidad no está destinada para uso en exteriores.



ADVERTENCIA

Cómo evitar peligros generales



Use la lavadora de platos únicamente cuando esté completamente instalada. Al abrir la puerta de una lavadora de platos que no está instalada, abra la puerta con cuidado mientras sostiene la parte posterior de la unidad. No seguir esta advertencia puede provocar que la lavadora de platos se caiga, lo que ocasiona lesiones graves.

Antes de instalar los soportes de montaje en “L” para la encimera suministrados con la unidad (solo en algunos modelos), decida qué método se usará para asegurar la lavadora de platos en su abertura. Una vez que estos soportes de montaje están instalados en la lavadora de platos, es difícil retirarlos, y esto daña los soportes de montaje y la lavadora de platos.

En algunas condiciones, se puede formar gas hidrógeno en un sistema de agua caliente que no se ha utilizado durante semanas. El gas hidrógeno es explosivo.

Antes de llenar una lavadora de platos con un sistema que ha estado apagado durante semanas, deje correr agua de un grifo cercano en un área bien ventilada hasta que no haya sonido ni evidencia de gas.

Las temperaturas requeridas para soldar y fundir dañan la base y la válvula de entrada de agua de la lavadora de platos. Si se van a soldar o fundir las tuberías para plomería, mantenga la fuente de calor, al menos, a 6” (152.4 mm) de distancia de la base y de la válvula de entrada de agua de la lavadora de platos.

Retirar cualquier cubierta o jalar la lavadora de platos del gabinete puede hacer que queden expuestas las conexiones de agua caliente, la alimentación eléctrica, y puntas o bordes filosos. Manipule la unidad con cuidado.



Cómo evitar peligros de descarga eléctrica/incendio

No permita que las líneas de electricidad ni las tuberías de suministro de agua entren en contacto. Se suministran canales separados debajo de la lavadora de platos.

No trabaje en un circuito energizado. Hacerlo podría ocasionar lesiones graves o la muerte. Únicamente los electricistas calificados pueden realizar la instalación eléctrica. No intente realizar ningún trabajo en el circuito de suministro eléctrico de la lavadora de platos hasta que esté seguro de que el circuito se encuentra desenergizado.

Asegúrese de que la instalación eléctrica se haya realizado correctamente. No debe haber conexiones eléctricas sueltas. Asegúrese de que todas las conexiones eléctricas se hayan realizado correctamente.

El cliente tiene la responsabilidad de asegurarse de que la instalación eléctrica de la lavadora de platos cumpla con todos los códigos y las ordenanzas de electricidad nacionales y locales. La lavadora de platos está diseñada para un suministro eléctrico de CA de 120 V, 60 Hz, conectado a un circuito eléctrico con una conexión a tierra adecuada, exclusivo para la lavadora de platos, con un fusible o disyuntor con capacidad nominal para 15 A. Los conductores del suministro eléctrico deben ser de alambre, únicamente de cobre, con un calibre de alambre estadounidense (American Wire Gauge, AWG) n.º 14 como mínimo, con capacidad nominal para uso en temperaturas de 75 °C (167 °F) o más altas.

Este electrodoméstico debe conectarse a un sistema de cableado metálico y permanente, con conexión a tierra, o debe instalarse un conductor de conexión a tierra para equipos junto con los conductores de circuitos y conectarlo al terminal de conexión a tierra para equipos o al hilo de conexión a tierra del electrodoméstico. No use cables de extensión.

Cómo evitar peligros en las tuberías y peligros de escaldadura



No realice ningún trabajo en una tubería de agua caliente que tenga carga. Podría ocasionar lesiones graves. Únicamente los plomeros calificados pueden realizar trabajos de plomería. No intente realizar ningún tipo de trabajo en las tuberías de suministro de agua caliente de la lavadora de platos hasta que esté seguro de que el suministro de agua caliente está cerrado.

No apriete en exceso el codo de 90°. Hacerlo puede dañar la válvula de entrada de agua y provocar una pérdida de agua.

Las temperaturas requeridas para soldar y fundir dañan la válvula de entrada de agua de la lavadora de platos. Si se van a soldar o fundir las tuberías para plomería, mantenga la fuente de calor, al menos, a 6" (152.4 mm) de distancia de la válvula de entrada de agua de la lavadora de platos.

Consulte los códigos de plomería locales para conocer los procedimientos y los accesorios de plomería aprobados. Todos los trabajos de plomería deben realizarse según los códigos nacionales y locales.

Estas instrucciones describen un método de instalación para mangueras trenzadas de acero inoxidable o tuberías de suministro de agua caliente de polietileno reticulado (Cross-linked polyethylene, PEX). Si usa tubos de cobre o de otro material para el suministro de agua, haga que un plomero autorizado realice la instalación correspondiente.

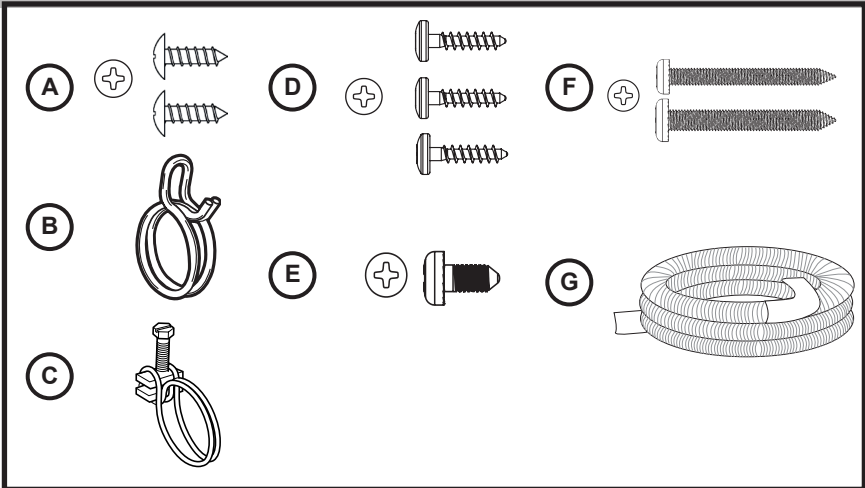
Inspeccione la lavadora de platos

Después de desembalar la lavadora de platos y antes de la instalación, inspeccione exhaustivamente la unidad para detectar posibles daños estéticos u ocasionados por el transporte. Reporte de inmediato cualquier daño.

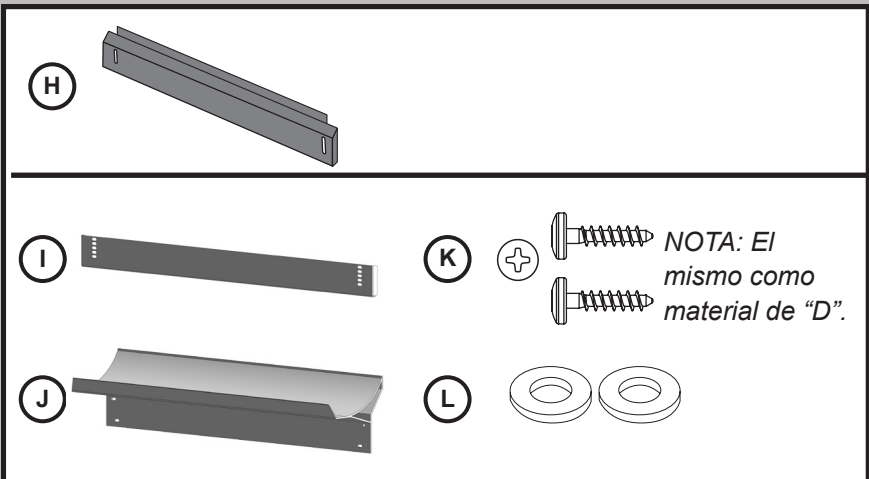
Los defectos estéticos deben reportarse en un período de 30 días después de la instalación.

NOTA: No deseche ninguna bolsa ni artículo suministrado con el paquete original hasta que se haya completado toda la instalación.

Materiales Provistos (todos los modelos)



Materiales Provistos (depende del modelo)



Materiales Necesarios



Cable de Alimentación Eléctrica -

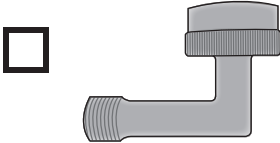
Mínimo no. 14 AWG, 2 conductores, 1 de puesta a tierra, conductores de cobre aislados clasificados para 75°C (167°F) o mayor.



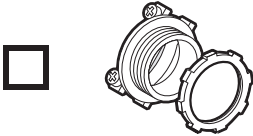
Tubo de Alimentación de Agua - Mínimo 3/8" diámetro exterior, PEX, tubo de cobre o manguera con alambre trenzado para alimentar lavadoras de platos.



Válvula de cierre y los accesorios adecuados para acoplarla a la alimentación de agua caliente (tubo de cobre con accesorios sujetadores de compresión o manguera con alambre trenzado).

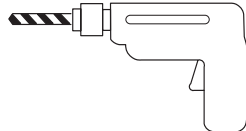
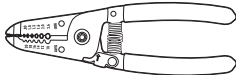
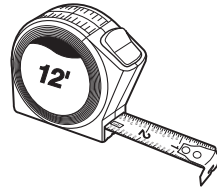
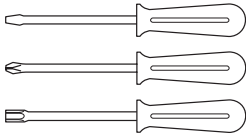
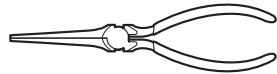
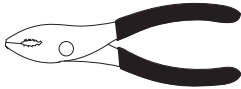
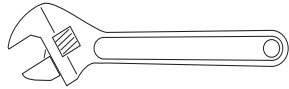
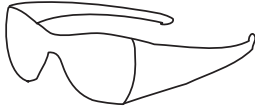
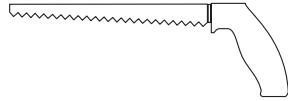
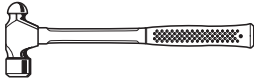


Acoplador acodado de 90° con rosca exterior hembra de 3/4" N.P.T. en una extremidad, y en la otra extremidad del tamaño adecuado para poder conectarlo a la alimentación de agua (tubo de cobre/accesorios sujetadores de compresión o manguera con alambre trenzado).



Conector de Conducto o Alivio de Presión aprobados por UL [Underwriters Laboratory].

Herramientas Necesarias

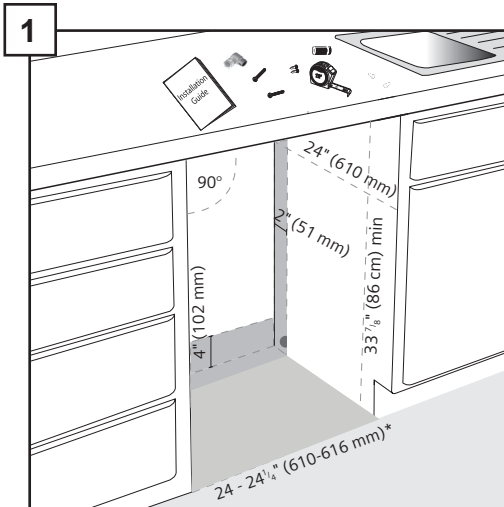


¡IMPORTANTE!

Antes de comenzar, usted debe leer las instrucciones de seguridad al reverso de esta hoja.

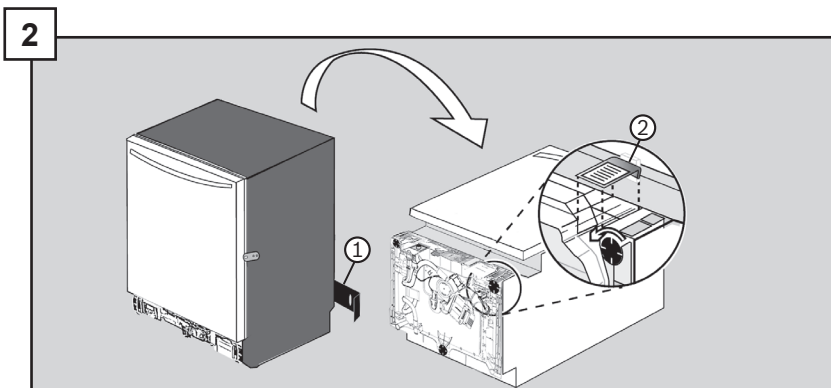
ANTES DE INSTALAR SIGA LOS SIGUIENTES PUNTOS

- Desempaque la unidad. Conserve el material de empaque hasta que la instalación esté terminada.
- Remueva todo el material de empaque del interior del lavaplatos.
- Examine las piezas para asegurarse de que tiene todo el material necesario.
- Abra la llave del suministro de agua caliente de la casa y deje el agua correr por lo menos dos minutos.
- Mida el área del recinto donde será instalado el lavaplatos.
- ¿Tiene la abertura por lo menos 34 " (863.6 mm) de alto y 24 " (609.6 mm) de ancho?
- ¿Está la abertura lo bastante cerca del fregadero como para que la línea del agua y la manguera del desagüe tengan acceso a las tuberías?
- ¿La unidad será instalada lo bastante cerca del fregadero de forma que la longitud de la manguera de desagüe no exceda 92" (2336.8 mm) y de manera que una porción de ésta se eleve cuando menos 20 " (508 mm) sobre el piso?
- ¿Las aberturas para el cable eléctrico, la línea de agua y la ruta de la manguera de desagüe a través del gabinete caben dentro del área sombreada en la figura 1?
- ¿Están las aberturas de madera lijadas y lisas y las de metal cubiertas por una junta protectora?
- ¿Su calentador de agua está regulado a 120° F (49°C) y la presión del agua es 15-145 psi (barra 1-10)?
- ¿Si se instala en una esquina, ¿la puerta del lavaplatos tiene espacio libre para abrirse?
- Defina el método de montaje basado en el modelo del lavaplatos y el tipo de cubierta de cocina (ver las cuadros 6-8, 20).
- Utilice solamente el hardware incluido para instalar. Si substituye el lavaplatos, disponga de la manguera vieja y del otro equipo correctamente.



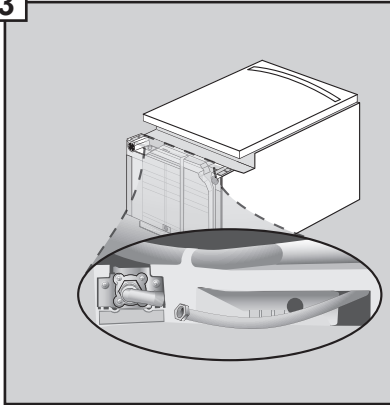
24" (600 mm) con tiras de lado quitó.

La taille minimum de trou pour la tuyauterie souple de vidange est 1 1/2" (38.1 mm). La taille minimum de trou si la tuyauterie souple de vidange et le tuyau d'admission sont par le même trou est 2" (50.8 mm).



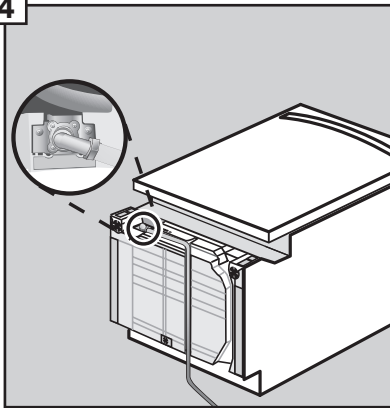
Coloque el lavaplatos suavemente sobre la parte trasera. Remueva el panel de la base. Afloje ligeramente los niveladores de la pata (2). Remueva la cubierta de la caja de conexiones y guárdela para uso posterior.

3



Una el codo de 90° al lavaplatos como se demuestra. No lo sobre apriete.

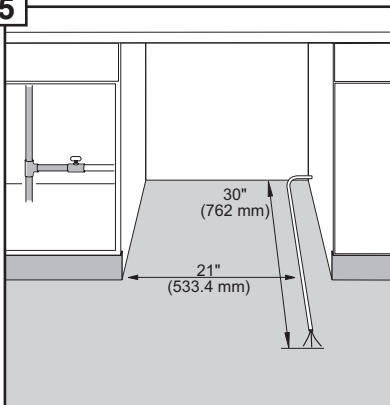
4



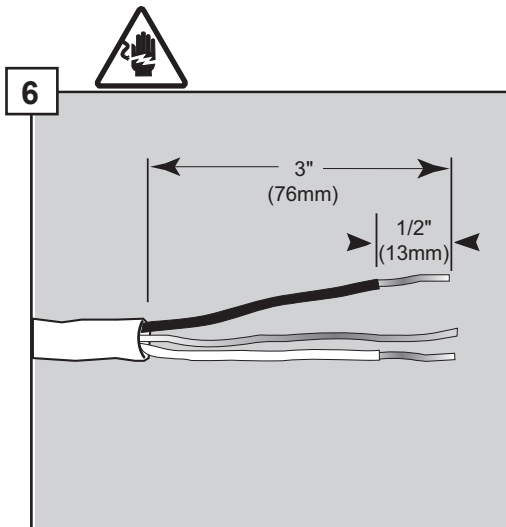
Una la línea del agua caliente al codo de 90° y dirijas debajo de la máquina hacia la unión de agua caliente. Asegúrese que la manguera no tenga contacto con las partes sueltas debajo de la unidad.



5

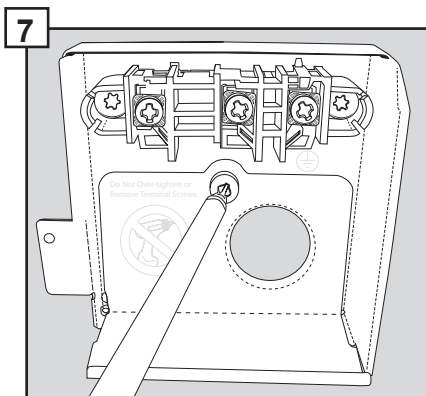


Corte la energía eléctrica en la caja de fusibles. Independientemente de donde se origine el cable de suministro eléctrico, colóquelo a 21" (533.4 mm) del lado izquierdo de la abertura. Extienda el cable 30" (762 mm) desde la pared trasera.



Pele la cubierta externa del alambre eléctrico para exponer 3" (76 mm) de los alambres internos. Después pele 1/2" (12.7 mm) de la cubierta de cada alambre individual.*

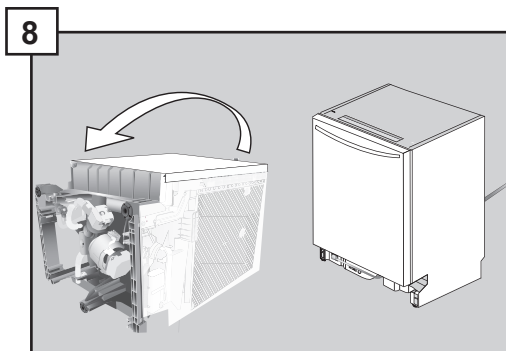
*Si el lavaplatos va a ser conectado en un receptáculo eléctrico, contacte a servicios al cliente para ordenar el kit del cable accesorio (SKU# SGZPC001UC).



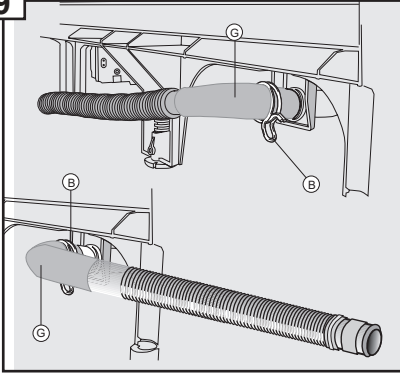
Quite la placa del sujetacables. **¡No la deseche!** Más adelante será reinstalada.

Clasificación Eléctrica del Lavaplatos

Volts	Hertz	Amperes	Watts
120	60	12	1,450 (max)



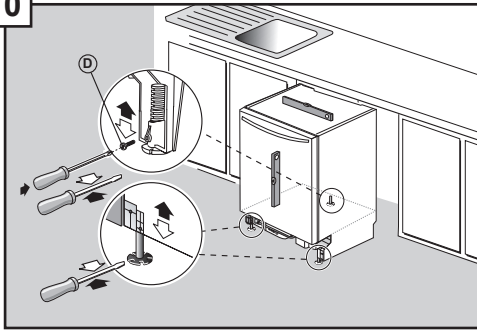
Levante la unidad, asegurándose de que la línea del agua de que no se pellizque.

9

Oriente manga hacia la dirección de fregadero.

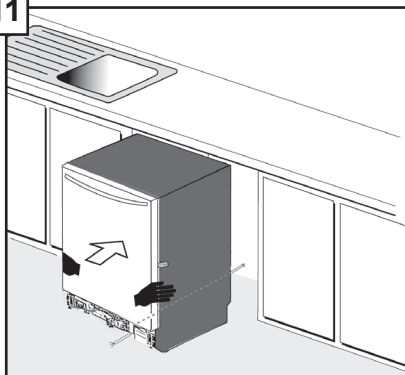
IMPORTANTE:

Dirija manga hacia fregadero ANTES DE la conexión. No gire después de attachment. Conecte la manguera de drenaje (parte G) a la parte posterior de la unidad con unos alicates para apretar la pinza de resorte (parte B).

10

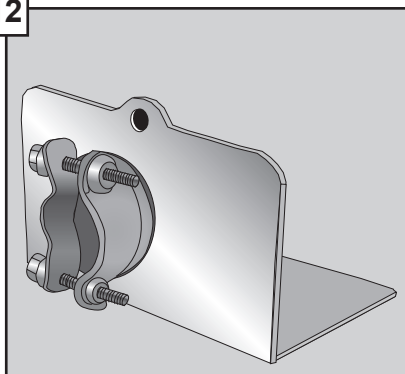
Nivele la unidad antes de meterla debajo de la cubierta girando las patas en sentido del reloj para elevarla o en sentido opuesto para bajarla. La máxima altura de la unidad con las patas totalmente extendidas es de 34.5" (876.3 mm). Coloque la unidad bajo mesada para verificar que esté nivelada. Si es necesario ajustar, retire la unidad de bajo mesada y ajustar según considera. Una vez que la unidad tenga la altura satisfactoria, inserte el tornillo de seguridad de la pata niveladora (parte D) en la pata trasera. El paso 18 completarán el proceso que nivela.

11



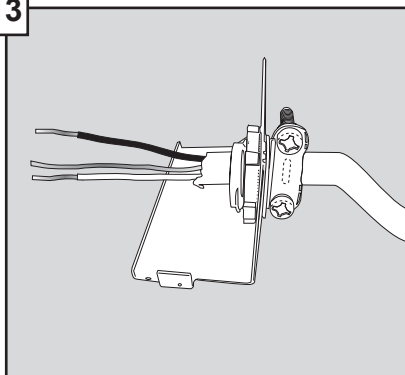
IMPORTANTE: No permita levelers de pierna para rasguñar ni marcar piso. El lugar entrega donde se imaginó para empujar en el lugar. Coloque las manos como se indica en la ilustración para empujar la unidad a la abertura de los gabinetes y meterla. Asegúrese de conducir la manguera de agua y de desagüe hacia el fregadero, y la línea eléctrica debajo de la unidad hacia el caja de empalme en el lado delantero. Asegúrese que el exceso de la manguera de desagüe llegue hasta el gabinete donde se encuentra el fregadero. Generalmente se colocan las unidades de tal forma que la puerta quede al ras con la puerta del gabinete y las partes delanteras de los cajones. Para lograr una óptima reducción del ruido, asegúrese que las tiras laterales tengan contacto con el gabinete.

12



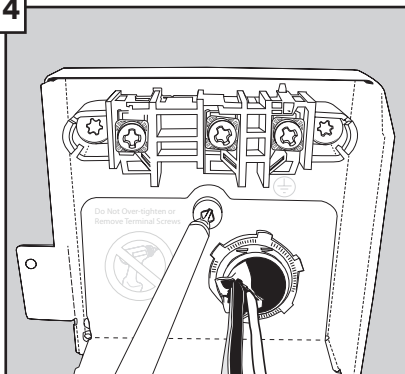
Una el sujetacables (no incluido) a la placa del sujetacables. Los dos tornillos en la parte trasera del sujetacables se deben colocar según lo demostrado para prevenir interferencias durante el montaje. Apriete la tuerca de fijación del sujetacables para evitar que éste gire.

13



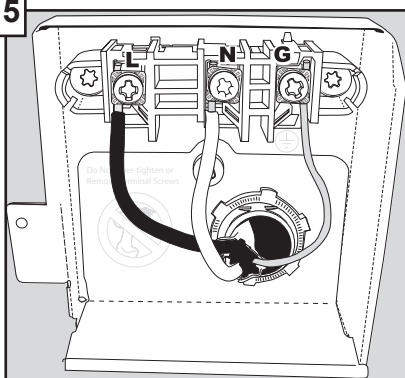
Pase los cables a través del sujetacables y la placa. Apriete la abrazadera alrededor de los cables, orientada como se demuestra. Doble el extremo del cable eléctrico como se demuestra. Esto ayudará a la instalación de la placa del sujetacables más adelante.

14



Coloque la placa montada del sujetacables nuevamente dentro de la caja de conexiones y vuelva a fijar el tornillo. Cerciérese de que la lengüeta en el lado derecho de la placa del sujetacables esté fuera de la caja de conexiones mientras la desliza hacia dentro.

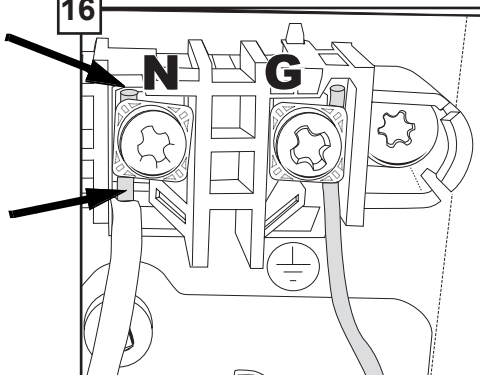
15



Nota : ¡No afloje o quite los tornillos terminales! Esto puede ocasionar daños. Use pinzas para doblar los alambres en su lugar. Inserte el alambre negro (caliente) en la abertura izquierda de la tira terminal marcada con una “L”, el alambre blanco (neutral) en la abertura media de la tira terminal marcada con una “N”, y el cobre pelado o el alambre verde (tierra) en la abertura derecha de la tira terminal marcada con una “G”.

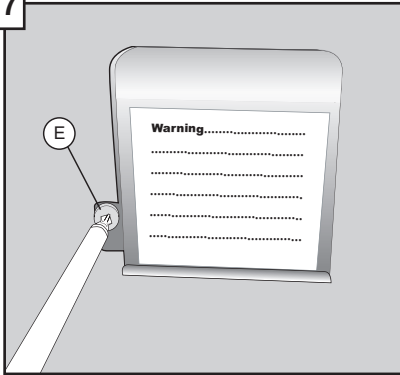
La mano aprieta solamente. No utilice las herramientas eléctricas.

16



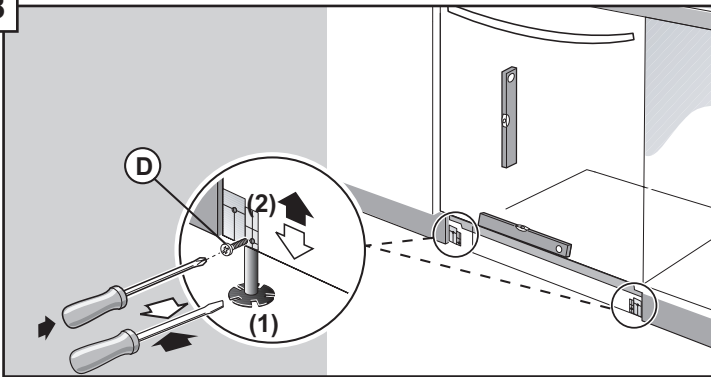
Cerciérese de que la porción expuesta (no-aislada) de cada alambre pelado aparezca sobre y debajo del tornillo terminal. Apriete con seguridad los tornillos terminales, pero no **los sobre apriete** pues esto puede ocasionar daños.

17



Coloque la cubierta de la caja de conexiones. Cercíese de que la cubierta esté asentada detrás del borde delantero de la placa del sujetacables. Una la cubierta con el tornillo (parte E) del equipo de instalación.

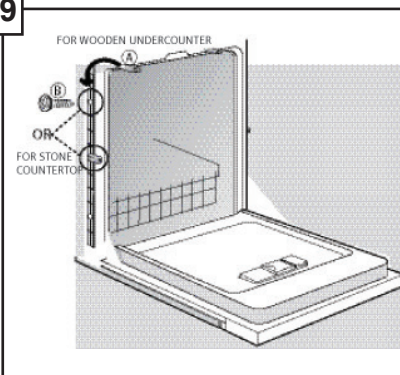
18



Nivele el lavaplatos horizontalmente girando los pies (1) en sentido de las manecillas del reloj (derecha) para levantar o en sentido opuesto (izquierda) para bajar la parte frontal de la unidad. Una vez nivelado, (2) inserte los tornillos de la pata niveladora (parte D) y apriete.

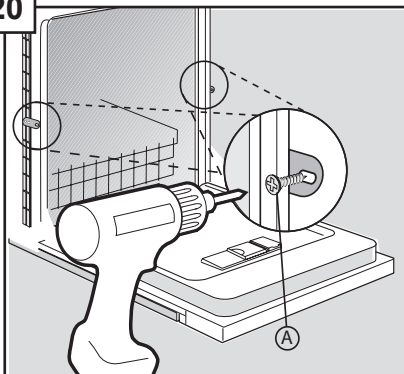
Nota: Si su encimera es de madera, vaya al Paso 20.

19



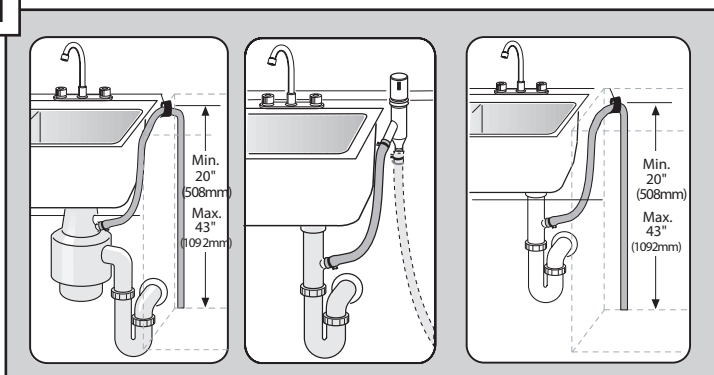
Si la encimera es de piedra, extraiga los soportes de montaje (A) de la parte superior y la posición de ellos en cualquiera de los puntos en el lateral. Inserte el tornillo (B) a través de pre-soportes colocados a cada lado de la unidad y fije los soportes.

20



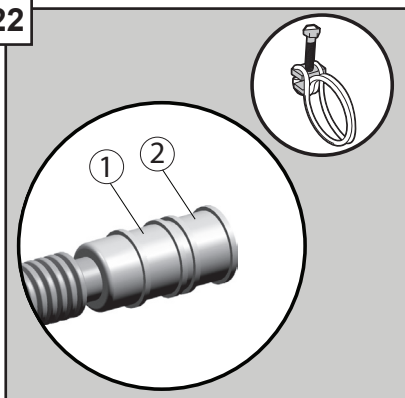
Inserte los tornillos (parte A) a través de los soportes de montaje previamente colocados y coloque la unidad en el recinto (se recomienda taladrar los agujeros previamente). Saque la rejilla superior antes de insertar los tornillos.

21



Dirija el desagüero manga a la plomería de la casa. Nota: Las instalaciones de plomería pueden variar - consulte los códigos locales. La longitud máxima de la manguera de desagüe, incluyendo la manguera que guía al dispositivo de ventilación (dado el caso) es de 150" (3810 mm). Cerciñese de que una porción de la manguera esté elevada cuando menos 20" (508 mm) sobre el piso.

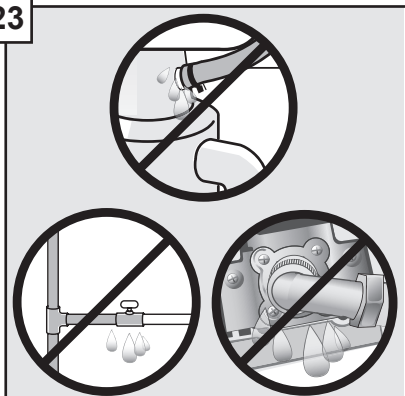
22



Conecte el desagüero manga a la plomería con abrazadera de tornillo (posicione 1 para 1/2" o posicione 2 para 3/4") y apriete. No corte manga de desagüero.



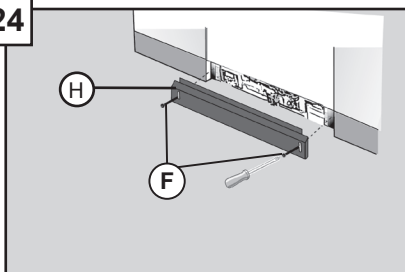
23



Una la línea del agua a la válvula de apagado del agua caliente. Prenda el agua y revise si hay fugas. Encienda la energía eléctrica en la caja de fusibles. Encienda el lavaplatos, escuche el agua y la bomba de distribución de agua. Prensa cancele/Remette à l'état initial, a drene y revise si hay fugas.

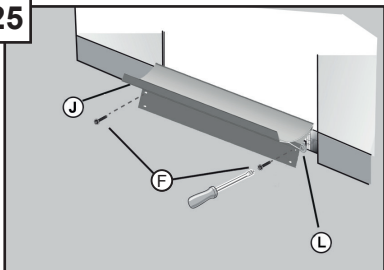
NOTA: Si su lavavajillas con un kit de leva vellón, siga las instrucciones que vienen en el kit ce instalar el vellón.

24

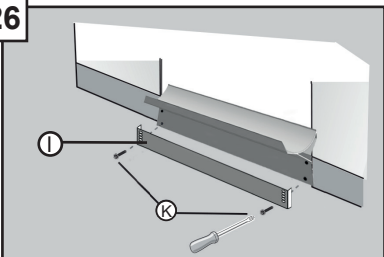


NOTA: Si su panel de pie es de plástico, saltee este paso y vaya a los pasos 25-26.

Sujete el panel metálico (parte H) de la base con tornillos (parte F) de modo que está nivelado con el piso. ¡Éxito! Su instalación está terminada.

25

Primero, deslice el tornillo (pieza F) hacia el lado derecho a través del orificio superior del panel de pie de plástico (pieza J), coloque la arandela (pieza L) en el extremo del tornillo y acople el panel de pie al lavavajillas ajustando el tornillo. Repita el procedimiento para el lado izquierdo.

26

Coloque los tornillos (pieza K) a través del panel de pie de metal (pieza I) en los orificios inferiores del panel de pie de plástico de modo que quede a ras del piso. ¡Éxito! Su instalación está terminada.

