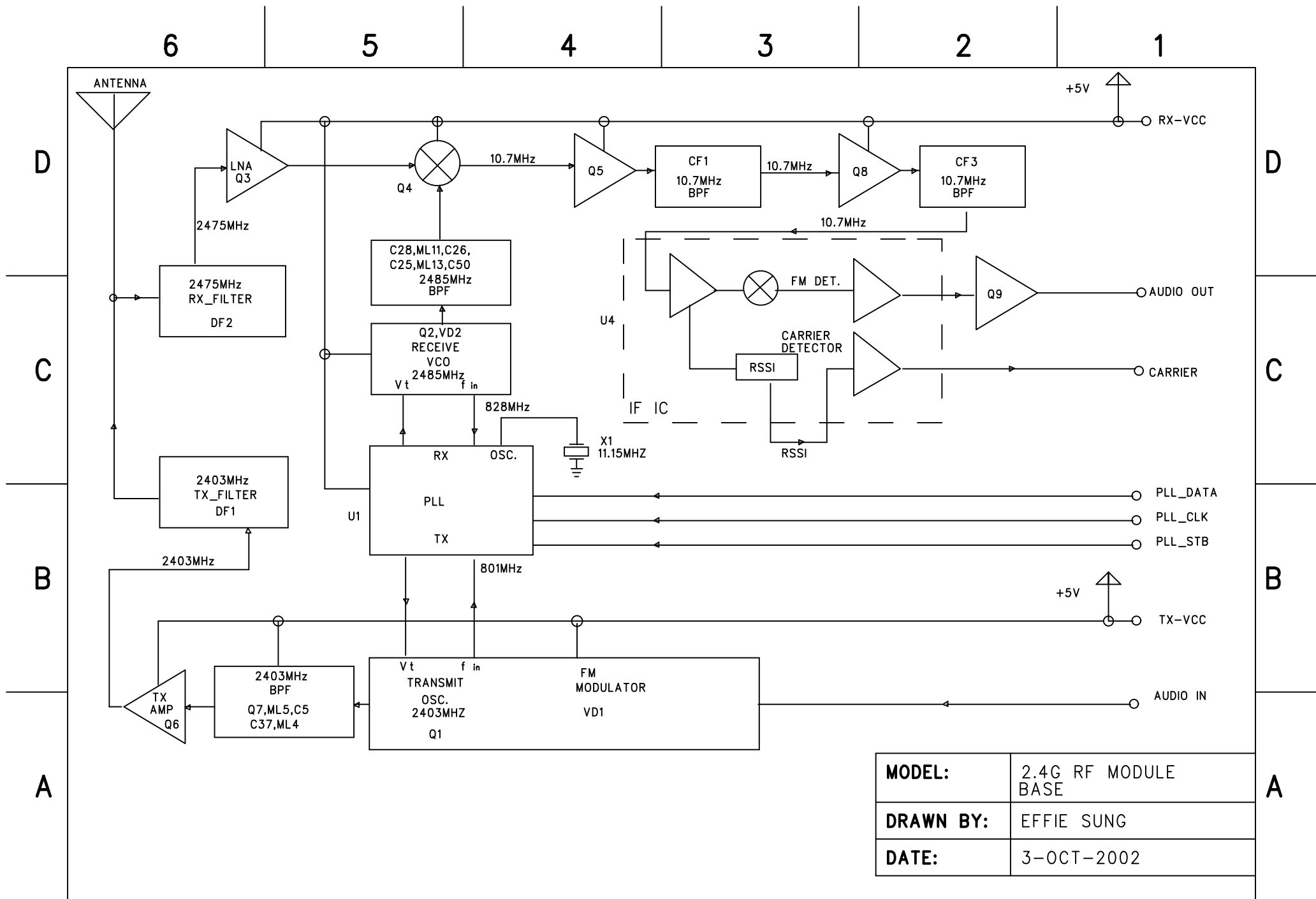


ARTCOM LIMITED	
TITLE: 3034 BASE BLOCK DIAGRAM	
DATE: 23-MAY-02	SHEET 1



<b>MODEL:</b>	2.4G RF MODULE BASE
<b>DRAWN BY:</b>	EFFIE SUNG
<b>DATE:</b>	3-OCT-2002

