

Part Number: CT-ANTNFA1000- EUR

Manufacture: CoreTigo Ltd

Address: Giborey Israel 5, Poleg, Natanya, Israel  
4250405

## PRODUCT DATA SHEET

TigoNFA is a Near Field Antenna, designed as complementary . (product to a Eupen radiated cable (PN CMC12

TigoNFA is designed to maximize the RF signal power received avinghwhen placed in close proximity to the radiated cable, while ncyelow far field radiation efficiency. The low radiation effici signal,iprovides high immunity to external interferers, such as Wi-F rBluetooth and IO-Link Wireless signals transmitted from othe .master units



To read more about IO-Link Wireless solutions click here or log on <https://www.coretigo.com/solutions/>

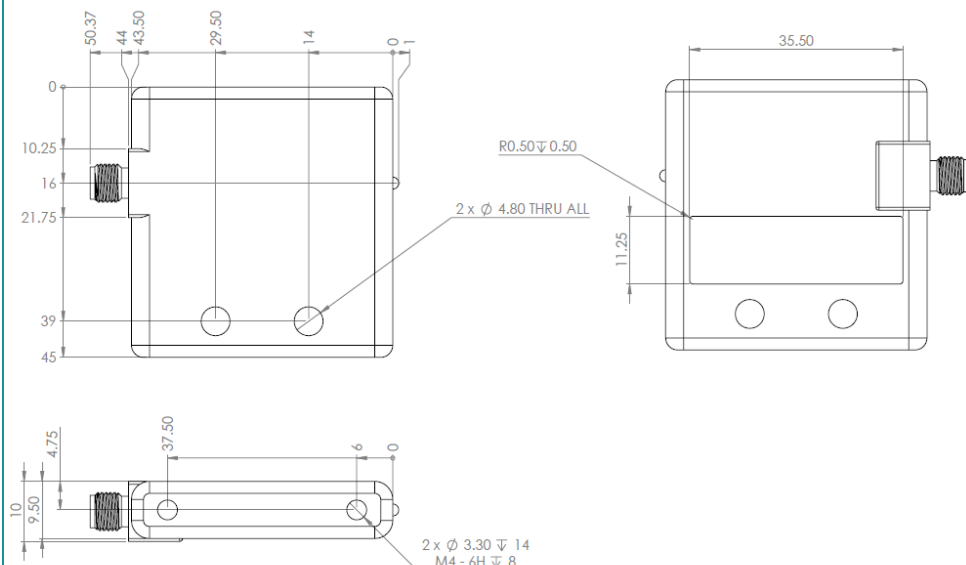
### Antenna Characteristics

Peak Gain (dBi)	-10
Far Field Radiation Efficiency	<1%
Frequency Range (MHz)	2400 - 2500
Maximum input power (W)	1

### Mechanical Data

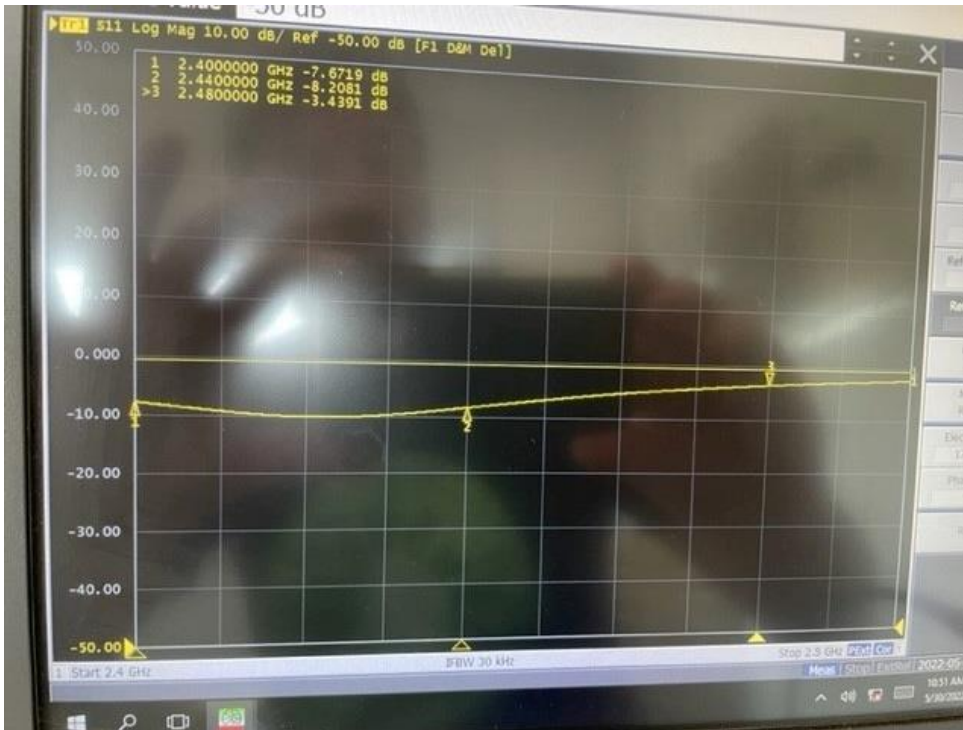
#### Dimensions

Units are in mm



<b>Weight</b>	x [gr]
<b>Mounting</b>	M4 Mounting holes: - 2x through holes on the top - 2x Insert holes on the back side
<b>Color</b>	Black
<b>Operating Conditions</b>	
<b>Operating Temperature</b>	-25°C to 60°C
<b>Storage Temperature</b>	-40°C to 80°C
<b>IP rating</b>	IP67
<b>Interfaces</b>	
<b>Connector</b>	Female SMA – standard polarity
<b>Other</b>	
<b>RoHS</b>	Compliant

## VSWR



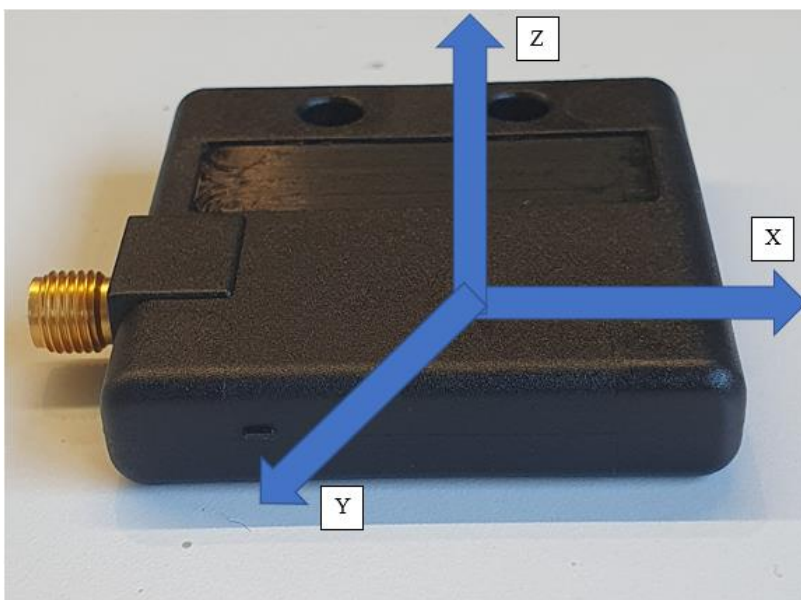
$S_{11}$  @ 2400MHz = -7.67dB

$S_{11}$  @ 2440MHz = -8.2dB

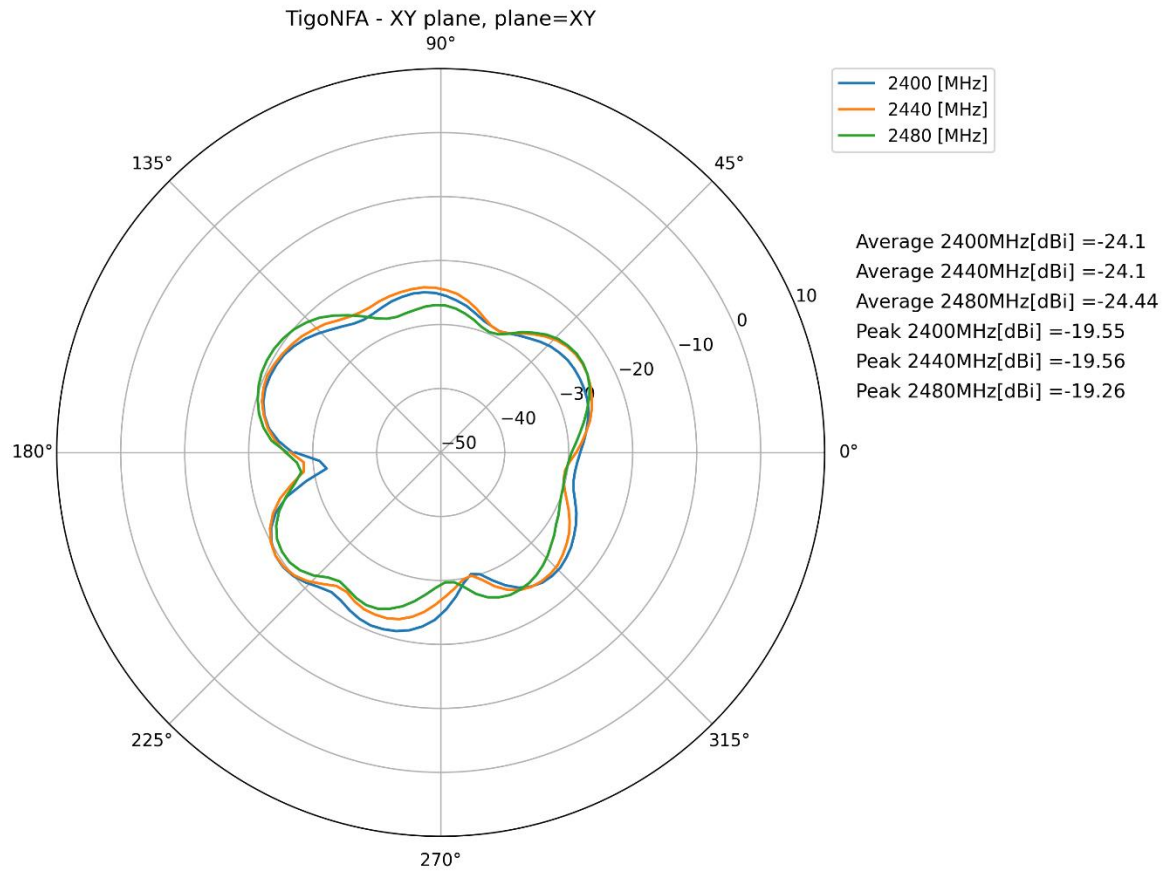
$S_{11}$  @ 2480MHz = -3.43dB

## Radiation Pattern

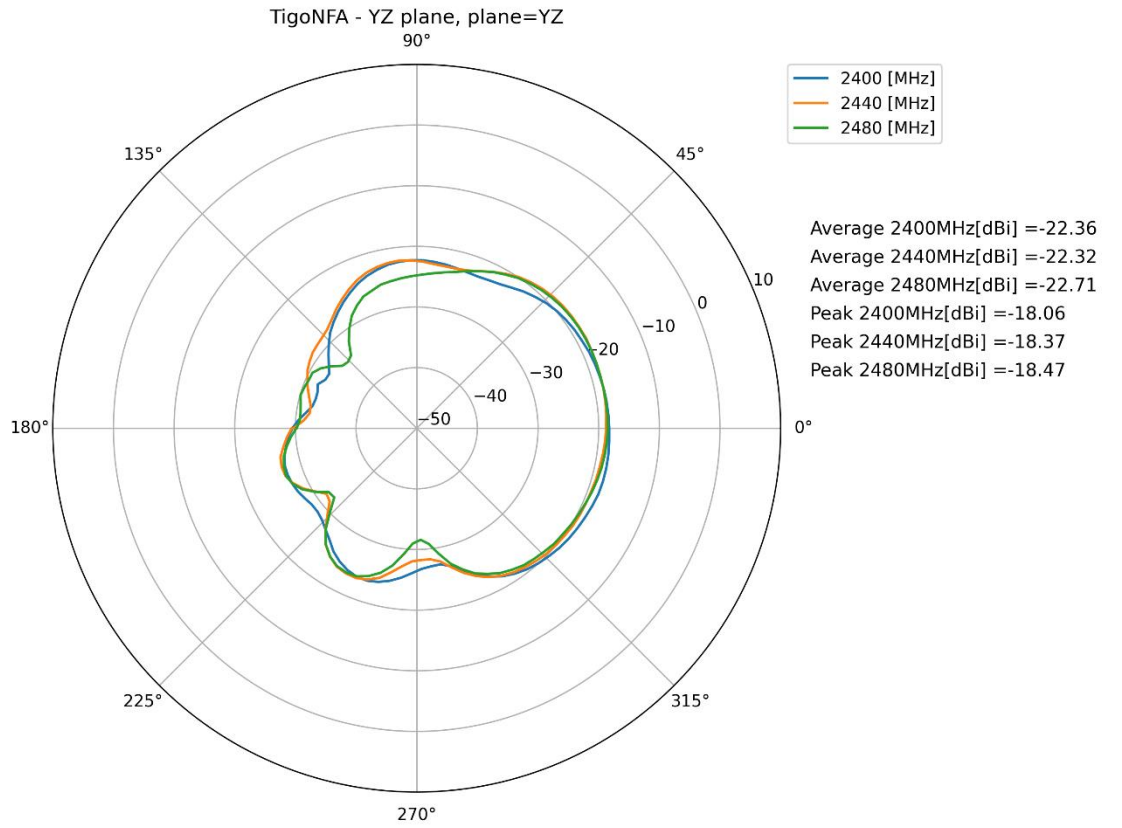
Antenna Orientation



XY-Plane:



YZ Plane:



ZX Plane:

