

## MODEL PAV-B



### WARNING

**WARNING — THE INSTALLATION MUST BE CARRIED OUT BY A QUALIFIED TECHNICIAN.**

1. Please read the instructions before use
2. To be mounted into round duct by mounting frame

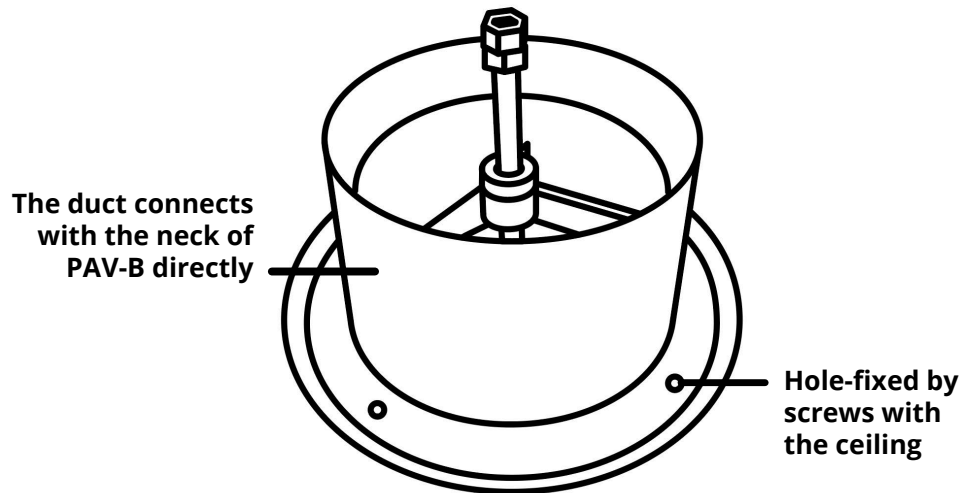
### CAUTION

**PLEASE READ INSTRUCTION BEFORE COMMENCING INSTALLATION AND RETAIN FOR FUTURE REFERENCES.**

**Electrical products can cause death or injury, or damage to property.**

**If in any doubt about the installation or use of this product, consult a competent technician.**

### INSTALLATION



1. Cut out a suitable hole in the ceiling
2. Install in the ceiling with screws through the holes
3. Connect the duct with the neck of PAV-B directly
4. Adjust the air flow by rotating the central part

ORTECH reserves the right to modify at any time, without notice, any or all of our product's features, designs, components and specifications to meet market changes.