

**Series 8, Built-in oven, 60 x 60 cm,
Stainless steel
HBG6753S1A**



Included accessories

1 x grill tray
suit. pyrol. clean.
2 x combination grid
1 x universal pan

Optional accessories

HEZ327000 : Pizza stone
HEZ530000 : Half tray
HEZ531010 : Baking tray, non-stick ceramic coated
HEZ625071 : Grill tray, anthracite enamelled
HEZ632070 : Multipurpose pan, anthracite enamelled
HEZ633001 : Lid for professional pan, enamelled anth
HEZ634000 : Baking and roasting grid (standard)
HEZ638370 : 3 level telescopic rails, full ext,pyro

**The Series 8 built-in oven: impressive
design and results for any kitchen.**

- **4D Hotair:** even heat distribution on all levels for perfect baking results without mixing flavours.
- **AutoPilot 10:** every dish is a perfect success thanks to 10 pre-set automatic programs.
- **TFT display control:** easy-to-use thanks to the control ring with clear text and touch symbols.
- **Pyrolytic self-cleaning:** effortless cleaning thanks to pyrolytic cleaning programs.
- **Flap door with SoftOpen and SoftClose:** the oven door opens and closes especially gently and quietly.

Technical Data

Color / Material Front : Stainless steel
Built-in / Free-standing : Built-in
Door opening : Drop down
Cleaning : Pyrolytic+Hydrolytic
Control Panel Material : Stainless steel
Door Material : Glass
Dimensions (HxWxD) : 595 x 594 x 548 mm
Dimensions of the packed product (HxWxD) : 670 x 680 x 670 mm
Min. required niche size for installation (HxWxD) : 585-595 x 560-568 x 550 mm
Cavity dimensions : 357 x 480 x 415 mm
Usable volume of cavity : 71 l
Number of interior lights : 1
Net weight : 40.7 kg
Gross weight : 43.2 kg
EAN code : 4242002827025
Connection Rating : 3600 W
Fuse protection : 16 A
Voltage : 220-240 V
Frequency : 60; 50 Hz
Length electrical supply cord : 120 cm



Series 8, Built-in oven, 60 x 60 cm, Stainless steel HBG6753S1A

The Series 8 built-in oven: impressive design and results for any kitchen.

Heating Functions

- Oven with 13 heating methods:
 - 4D HotAir
 - Defrost
 - Full width grill
 - 4D HotAir Eco
 - Half width grill
 - Top/bottom heating
 - Top/bottom heating Eco
 - Pizza setting
 - Slow cooking
 - Bottom heating
 - Hot air grilling
 - Preheat ovenware
 - Keep warm
- Temperature range 30 °C - 300 °C
- Cavity volume: 71 net usable litres

Design

- Bosch Control Ring
- Anthracite enamel cavity with 5 shelf positions

Cleaning

- Pyrolytic self-cleaning function
- Full glass inner door

Convenience

- TFT Touch Symbol Display
- Automatic temperature proposal
 - Actual temperature display
 - Residual heat indicator
 - Sabbath setting
- softMove: gentle opening and closing of the oven door.
- Automatic programs
- Number of automatic programmes: 10 PC
- Electronic clock/timer with end time programming
- Rapid heating-up: automatic
- Halogen lighting
- Cooling fan
- Stainless-steel fan
- Info button
- Bar handle

Hook-in racks / rails

- Cavity with shelf support rails, 2 level telescopic shelf rails, fully extendable, safety stop function, pyrolytic proof

Accessories

- 1 x grill tray, suit. pyrol. clean., 2 x combination grid, 1 x universal pan

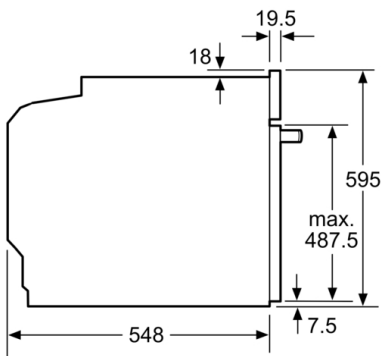
Safety and Environment

- Electronic door lock
 - Child lock function
 - Automatic safety switch off function
 - Residual heat indicator
 - Start button
 - Door contact switch

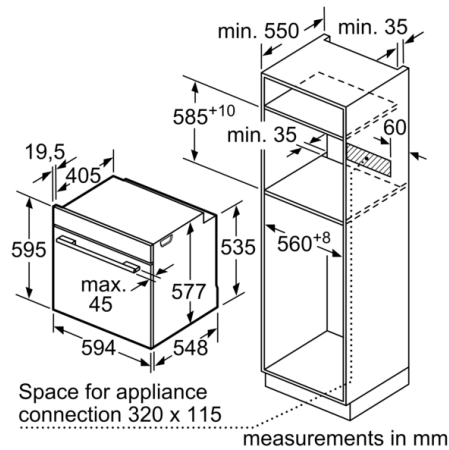
Technical Info

- Length of mains cable: 120 cm
- Total connected load electric: 3.6 KW
- Appliance dimensions (HxWxD): 595 mm x 594 mm x 548 mm
- Installation dimensions (HxWxD): 585 mm - 595 mm x 560 mm - 568 mm x 550 mm
- Please reference the built-in dimensions provided in the installation drawing
- Maximum door temperature 30° C

Series 8, Built-in oven, 60 x 60 cm, Stainless steel
HBG6753S1A



measurements in mm

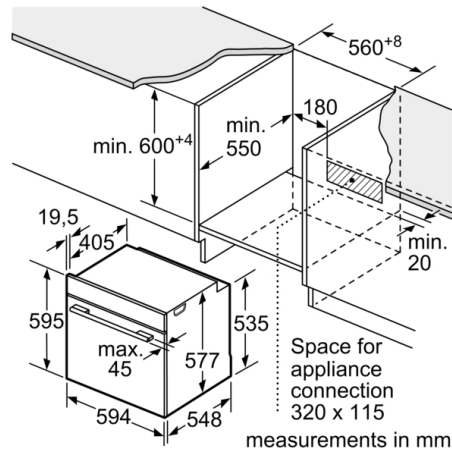


Space for appliance connection 320 x 115

measurements in mm

If the appliance will be installed underneath a hob, the following worktop thicknesses (including substructure if necessary) must be taken into account.

Hob type	min. worktop thickness	
	fitted	flush
Induction hob	37 mm	38 mm
Full surface Induction hob	47 mm	48 mm
Gas hob	30 mm	38 mm
Electric hob	27 mm	30 mm



Space for appliance connection 320 x 115

measurements in mm