

# UC-B160-T

## Crestron Flex Wall Mount UC Video Conference System for Microsoft Teams® Rooms



- *Front-of-room video conferencing solution for Microsoft Teams® software*
- *Present, call, conference, and collaborate – all through a single smart soundbar and 10.1 in. tabletop touch screen*
- *Native Microsoft Teams touch screen UI provides a consistent user experience with simple operation and one-touch meeting joins*
- *A complete kit solution – just add displays and mounts*
- *Easy to specify and install – no custom design, programming, or software installation required*
- *Network management and provisioning, system alerts, and the pairing of a touch screen to the UC-B160-T system's UC Engine through the Crestron XiO Cloud™ service*
- *Microsoft® Exchange and Office 365® integration with native Microsoft Teams or Skype® for Business software support*
- *Connects and communicates securely over any enterprise or SMB network*
- *Enterprise-grade security*
- *Direct connection option for simple installation and configuration*
- *Supports single or dual display configuration*
- *High-powered 2-way stereo speaker smart soundbar with 180° far-field adaptive beamforming microphone array, advanced AEC & DSP technology, integrated high-definition USB camera with lossless digital autozoom and HDMI® input for laptop and other AV content sources*
- *Includes 10.1 in. (257 mm) tabletop color touch screen with onscreen calendaring and meeting management and optional control of room lighting, shades, thermostats, and other equipment*
- *Complete kit contains the Crestron® smart soundbar & camera, touch screen, UC Engine assembly, cables, and power supplies*

The Crestron Flex UC-B160-T system provides a complete video conference room solution for use with the Microsoft Teams intelligent communications platform. It supports single or dual video displays, and features the Crestron UC Video Conference Smart Soundbar & Camera (UC-SB1-CAM-FLEX), 10.1 in. touch screen, and UC Engine Assembly with UC-ENGINE.

### Native Microsoft Teams® Software Experience

The UC-B160-T system brings the full Microsoft Teams UC experience to any meeting space in an enterprise or SMB facility, whether implementing a cloud based Microsoft Teams deployment, on-premises Skype® for Business software, or a hybrid of the two.

### Crestron® Smart Soundbar & Camera

The [UC-SB1-CAM-FLEX](#) soundbar eliminates the need to install additional cameras, microphones or speakers. Its high-powered stereo speakers, adaptive beamforming microphone, and advanced digital signal processing deliver exceptional full-duplex, echo-free speakerphone performance. Wideband audio codec support allows for full-spectrum, bidirectional voice communication. Its compact design reduces clutter on the conference table, and even accommodates rooms with no table at all.

The soundbar's integrated Huddly IQ™ camera features an ultra wide-angle 150° diagonal field of view to capture an entire conference room in Full HD 1080p video resolution. Genius Framing digital autozoom intelligently detects the people in the room and frames them perfectly for an optimal view. With Genius Framing, there's no need to control the camera manually or rely on stored presets.

For more information, refer to the [UC-SB1-CAM-FLEX](#) product page.

### 10.1 in. Touch Screen

The Crestron TSW-1060 series touch screen makes an elegant statement on any tabletop. PoE (Power over Ethernet) connectivity and a range of mounting options make installation simple for both new and retrofit applications.

The included TSW-1060-TTK provides a convenient tabletop enclosure for the TSW-1060 touch screen. The touch screen is angled when installed in the enclosure. The complete assembly may be placed on any flat, level surface. Wiring may be passed out the rear of the enclosure through a grommet and strain relief, or routed through the bottom for a very clean, cordless appearance. The touch screen also offers optional control of room lighting, shades, thermostats, and other equipment.<sup>1</sup>

For more information, refer to the [TSW-1060-B-S](#) and [TSW-1060-TTK-B-S](#) product pages.

# UC-B160-T

## Crestron Flex Wall Mount UC Video Conference System for Microsoft Teams® Rooms

### UC Engine Assembly

All the capabilities of a complete Microsoft Teams video conferencing and content sharing solution are empowered by the UC Engine. For ultimate performance, Crestron employs a powerful Intel® NUC Mini PC running Microsoft® software. The UC Engine Assembly (UC-BRKT-100-ASSY) streamlines the installation of a Crestron UC system by assembling the UC-ENGINE, HD-CONV-USB-200, and UC-CONN-HD together on one convenient and ready-to-mount bracket.

The complete assembly can be mounted on the wall, or it can be attached to the rear of the display device. Attachment to the display is accomplished using two of the four bolts that also affix the display to a VESA® compliant display mount. The assembly bracket includes mounting holes on its left and right side edges, spaced at 100 mm (3.94 in.), 200 mm (7.87 in.), and 300 mm (11.81 in.) vertically, to allow for attachment to either side of the display mounting plate on the rear of the display device.

For more information, refer to the [UC-BRKT-100-ASSY](#) product page.

### Network Management and Security

Crestron Flex is an enterprise grade solution, engineered in partnership with Microsoft to integrate seamlessly into any Microsoft Teams or Skype for Business deployment. Crestron Flex is ideally equipped for mass deployment throughout any sized corporate, university, medical, military, or government facility.

IoT cloud based provisioning enables complete network configuration in advance of hardware delivery, with touchless updates following installation via Windows® Update. Crestron Fusion® or Crestron XiO Cloud management enables monitoring and logging of room and equipment usage, as well as centralized help desk support. Advanced security features ensure privacy, reliability, and compliance with your organization's IT policies.

### Crestron XiO Cloud™ Provisioning and Management Service

The UC-B160-T is compatible with the Crestron XiO Cloud™ service, which is an IoT (Internet of Things) based platform for remotely provisioning, monitoring, and managing Crestron devices across an enterprise or an entire client base.<sup>2</sup> The service enables installers and IT managers to deploy and manage thousands of devices in the amount of time it would ordinarily take to manage just one. As part of the UC-B160-T system, the Crestron XiO Cloud service allows for network management and provisioning, system alerts, and the pairing of a touch screen to the UC-B160-T system's UC Engine. System updates are controlled by Windows Update. For more information, visit [www.crestron.com/xiocloud](http://www.crestron.com/xiocloud).

### Direct Connection

Crestron's direct connection method simplifies installation and configuration with a single connection from the touch screen to the UC-ENGINE.<sup>3</sup> This method accelerates deployment, ensures reliability, and provides long-term service while eliminating network setup dependencies related to hardware and security requirements.

### Dual Control Option

A Crestron Mercury device or another TSW-1060 touch screen may be added to the UC-B160-T kit as an additional control point for the Microsoft Teams environment.<sup>5</sup>

# UC-B160-T

## Crestron Flex Wall Mount UC Video Conference System for Microsoft Teams® Rooms

### Specifications

#### Included Components

<a href="#">UC-SB1-CAM-FLEX</a>	UC video conference smart soundbar
<a href="#">TSW-1060-B-S</a>	10.1 in. touch screen, black
<a href="#">TSW-1060-TTK-B-S</a>	Tabletop kit for touch screen, black
<a href="#">UC-BRKT-100-ASSY</a>	UC Engine Assembly, comprised of: UC-ENGINE: UC Engine for Microsoft Teams video; HD-CONV-USB-200: HDMI to USB 3.0 converter for content ingest; UC-CONN-HD: EDID emulator for UC Engine display output; CBL-MDP-HD-0.5: Mini DisplayPort™ to HDMI converter; Mounting Bracket
<a href="#">CBL-CAT5E-7</a>	(2) Ethernet LAN cables for UC Engine, RJ45-to-RJ45, black, 7 ft (2.1 m)
<a href="#">PWE-4803RU</a>	PoE injector for touch screen
<a href="#">CBL-USBC-HD-9</a>	USB-C® to HDMI converter cable, USB Type-C male to HDMI Type A male, 9 ft (2.7 m)
<a href="#">CBL-HD-20</a>	HDMI cable for content source, Type A male-to-male, 20 ft (6.1 m)
<a href="#">CBL-HD-THIN-HS-6</a>	Thin HDMI cable for connecting display device, Type A male-to-male, 6 ft (1.8 m)
<a href="#">DM-CBL-ULTRA-PC-20</a>	Ethernet LAN cable for touch screen, CAT6a, RJ45-to-RJ45, blue, 20 ft (6 m)

#### Smart Soundbar & Camera

<b>Speakers</b>	Stereo 2-way, 20 W per channel, 3 in. (76 mm) woofers, 3 x 4-3/8 in. (76 x 112 mm) passive radiators, 1 in. (25 mm) dome tweeters, 80 Hz to 20 kHz (±3 dB) frequency response, 91 dB SPL @ 1 m output level (both channels driven at full power)
<b>Microphone</b>	Linear quad-element far-field adaptive beamforming microphone array, 15 ft (4.6 m) pickup range <sup>4</sup> , 180° horizontal pickup angle, 20 Hz to 8 kHz frequency response
<b>Audio DSP</b>	Acoustic echo cancellation, dereverberation, automatic gain control, dynamic noise suppression, adaptive beamforming, speaker

<b>Camera Optics</b>	volume control; full-duplex IEEE 1329 Type 1 compliant 12 Megapixel Sony® IMX477 Type 1/2.3 CMOS sensor, ultra wide angle six element aspherical glass lens, f/2.8 aperture
<b>Camera Field of View</b>	150° diagonal, 120° horizontal, 90° vertical
<b>Camera Processing</b>	Intel Movidius® Myriad® X VPU with Neural Compute Engine hardware accelerator, dynamic light optimization, auto white balance, autozoom
<b>Camera Autozoom</b>	Genius Framing automatic lossless digital zoom intelligently frames people in the room
<b>Camera Noise Reduction</b>	3D noise reduction, bias compensating spatio-temporal filtering, wide area chroma filtering, flicker elimination
<b>Camera Scaling</b>	Real-time scaling, dewarping, and perspective correction
<b>Camera Resolution</b>	HD 1080p @ 30 fps
<b>Camera Color Space</b>	YCbCr 4:2:0, YCbCr 4:2:2, MJPEG
<b>USB</b>	USB 3.0 Type-B port; UAC 1.0, UVC 1.1, & HID; 2-channel stereo far-end/content signal input, 2-channel mono microphone signal output, camera output; for audio, video, and communications interface to UC Engine
<b>Analog Audio Input</b>	2-Channel stereo via 3.5 mm TRS mini-phone jack, fixed level (bypasses DSP), 1 Vrms maximum per channel for full rated output, for in-room amplification of an external audio source
<b>Analog Audio Output</b>	2-Channel stereo via 3.5 mm TRS mini-phone jack, fixed level, 1 Vrms maximum, feeds amplified audio content to an assistive listening system
<b>Status Bar</b>	(1) Multi-segment RGBY LED zero-center mutually diverging linear bargraph; Indicates the speaker volume, microphone mute, and speaker mute in red and green LEDs
<b>Main Power</b>	IEC 60320 C14 main power inlet (power cord included), 500 mA maximum @ 100-240 VAC, 50/60 Hz

# UC-B160-T

## Crestron Flex Wall Mount UC Video Conference System for Microsoft Teams® Rooms

<b>Enclosure</b>	Lightly textured gunmetal black finish, plastic housing, perforated stainless steel grilles, die-cast aluminum rear cover, steel hinged mounting bracket
<b>Mounting</b>	Freestanding or surface wall mount at ear/face level
<b>Dimensions</b>	Height: 4.57 in. (117 mm) Width: 43.60 in. (1108 mm) Depth: 3.90 in. (100 mm)
<b>Weight</b>	Approximately 15 lb (6.8 kg)

Refer to the UC-SB1-CAM-FLEX spec sheet for additional specifications and compliances.

### Tabletop Touch Screen

<b>Touch Screen</b>	10.1 in. (257 mm) diagonal capacitive multi-touch TFT active matrix color LCD, 1280 x 800 pixels, displays Microsoft Teams UI plus optional Crestron Smart Graphics® room control UI <sup>1</sup>
<b>Ethernet</b>	10/100 Mbps; enterprise grade security and management including IEEE 802.1X, Active Directory® authentication, SSL, TLS, SSH, SFTP (SSH File Transfer Protocol), digest access authentication, password login, HTTPS secure provisioning, Crestron XiO Cloud client, IEEE 802.3at compliant
<b>Power over Ethernet</b>	EEE 802.3at compliant PoE or PoE+ PD (Powered Device); - Requests 15 W from an 802.3at Type 2 PSE with LLDP advanced power management; - Requests 30 W (PoE+ Class 4) from an 802.3at Type 2 PSE without LLDP; - Requests 15.4 W (PoE Class 0) from an 802.3af (or 802.3at Type 1) PSE
<b>PoE Injector</b>	A PoE injector is included to power the touch screen if network PoE is not available
<b>Construction</b>	Plastic tabletop housing, smooth black finish, edge-to-edge glass with black surround
<b>Dimensions</b>	Height: 5.42 in. (138 mm) Width: 10.23 in. (260 mm) Depth: 5.69 in. (145 mm)
<b>Weight</b>	41.2 oz (1166 g)

Refer to the TSW-1060-B-S, TSW-1060-TTK-B-S, and PWE-4803RU specifications for additional information.

### UC Engine Assembly

<b>Mini PC Processor</b>	Intel NUC Kit NUC6i7KYK 6th generation Intel Core® i7-6770HQ processor with Intel Iris® Pro Graphics 580, 8 GB RAM, 256 GB SSD, Intel I219-LM 10/100/1000 Mbps Ethernet, Windows® 10 IOT Edition OS
<b>UC Client</b>	Microsoft Teams or Skype for Business Software
<b>Management Client</b>	Crestron XiO Cloud Service
<b>USB</b>	USB 3.0
<b>Content Ingest</b>	HDMI input via HDMI to USB 3.0 converter (model HD-CONV-USB-200, included)
<b>Display Output</b>	Single or dual display support, native Mini DisplayPort™ (primary) and USB Type-C® (secondary) outputs, HDMI outputs enabled via converter cables (included)
<b>Camera Input Resolution</b>	HD 1080p @ 30 fps
<b>Content Input Resolution</b>	HD 1080p @ 60 fps
<b>Display Output Resolution</b>	HD 1080p @ 60 fps
<b>Power</b>	19 VDC via external 100-240 VAC, 50/60 Hz adapter (included)
<b>Construction</b>	Metal mounting bracket, black, preassembled with UC Engine and USB to HDMI converter
<b>Mounting</b>	Surface wall mount behind the display device, or attach to the rear of the display device via the bolts attaching the display to a VESA® compliant display mount; the Crestron bracket includes mounting holes on both side edges, spaced 100, 200, and 300 mm vertically, to allow for attachment to either side of the display mounting plate
<b>Dimensions</b>	Height: 16.00 in. (407 mm) Width: 14.00 in. (356 mm) Depth: 1.62 in. (41 mm)

Refer to the UC-ENGINE, HD-CONV-USB-200, and UC-BRKT-100-ASSY spec sheets for additional specifications and compliances.

# UC-B160-T

## Crestron Flex Wall Mount UC Video Conference System for Microsoft Teams® Rooms

### Model

UC-B160-T

### Available Accessories

#### TSW-560/760/1060-SMK

Swivel Mount Kit for TSW-x60-TTK Series

#### SW-XIOC-S-1

Crestron XiO Cloud Standard Provisioning and Management Service for one device, 1 year subscription

#### SW-XIOC-P-1

Crestron XiO Cloud Premium Provisioning and Management Service for one device, 1 year subscription

### Notes:

1. Room control capability (lighting, shades, thermostats, etc.) requires additional equipment and commissioning to be provided by a Crestron authorized integrator and/or programmer. Additional costs may apply.
2. New UC-B160-T systems may be added to existing Crestron XiO Cloud subscription accounts at a discounted rate. An additional purchase toward the existing subscription account term may be required. For more information, please contact [license@crestron.com](mailto:license@crestron.com).
3. If the Crestron XiO Cloud service is to be used for management of the touch screen, it must be on the same VLAN as the UC-ENGINE.
4. Microphone pickup range may vary in rooms with highly reflective infrastructure (e.g., glass walls, metal furniture, open ceilings, etc.) or above average ambient noise.
5. A maximum of two touch screens or one touch screen and one Crestron Mercury device can be accommodated by the system. Only one device may be connected via direct connection method.

This product may be purchased from select authorized Crestron dealers and distributors. To find a dealer or distributor, please contact the Crestron sales representative for your area. A list of sales representatives is available online at [www.crestron.com/How-To-Buy/Find-a-Representative](http://www.crestron.com/How-To-Buy/Find-a-Representative) or by calling 855-263-8754.

This product is covered under the Crestron standard limited warranty. Refer to [www.crestron.com/warranty](http://www.crestron.com/warranty) for full details.

The specific patents that cover Crestron products are listed online at [patents.crestron.com](http://patents.crestron.com).

Certain Crestron products contain open source software. For specific information, please visit [www.crestron.com/opensource](http://www.crestron.com/opensource).

Crestron, the Crestron logo, Crestron Fusion, Smart Graphics, and XiO Cloud are either trademarks or registered trademarks of Crestron Electronics, Inc. in the United States and/or other countries. HDMI is either a trademark or registered trademark of HDMI Licensing LLC in the United States and/or other countries. Huddly IQ is either a trademark or registered trademark of Huddly AS in the United States and/or other countries. Intel, Intel Core, and Intel Iris are either trademarks or registered trademarks of Intel Corporation in the United States and/or other countries. Microsoft, Active Directory, Microsoft Teams, Office 365, Skype, and Windows are either trademarks or registered trademarks of Microsoft Corporation in the United States and/or other countries. Movidius and Myriad are either trademarks or registered trademarks of Movidius Ltd in the United States and/or other countries. Sony is either a trademark or registered trademark of Sony Corporation in the United States and/or other countries. USB Type-C and USB-C are either trademarks or registered trademarks of USB Implementers Forum, Inc. in the United States and/or other countries. DisplayPort and VESA are either trademarks or registered trademarks of Video Electronics Standards Association in the United States and/or other countries. Other trademarks, registered trademarks, and trade names may be used in this document to refer to either the entities claiming the marks and names or their products. Crestron disclaims any proprietary interest in the marks and names of others. Crestron is not responsible for errors in typography or photography.

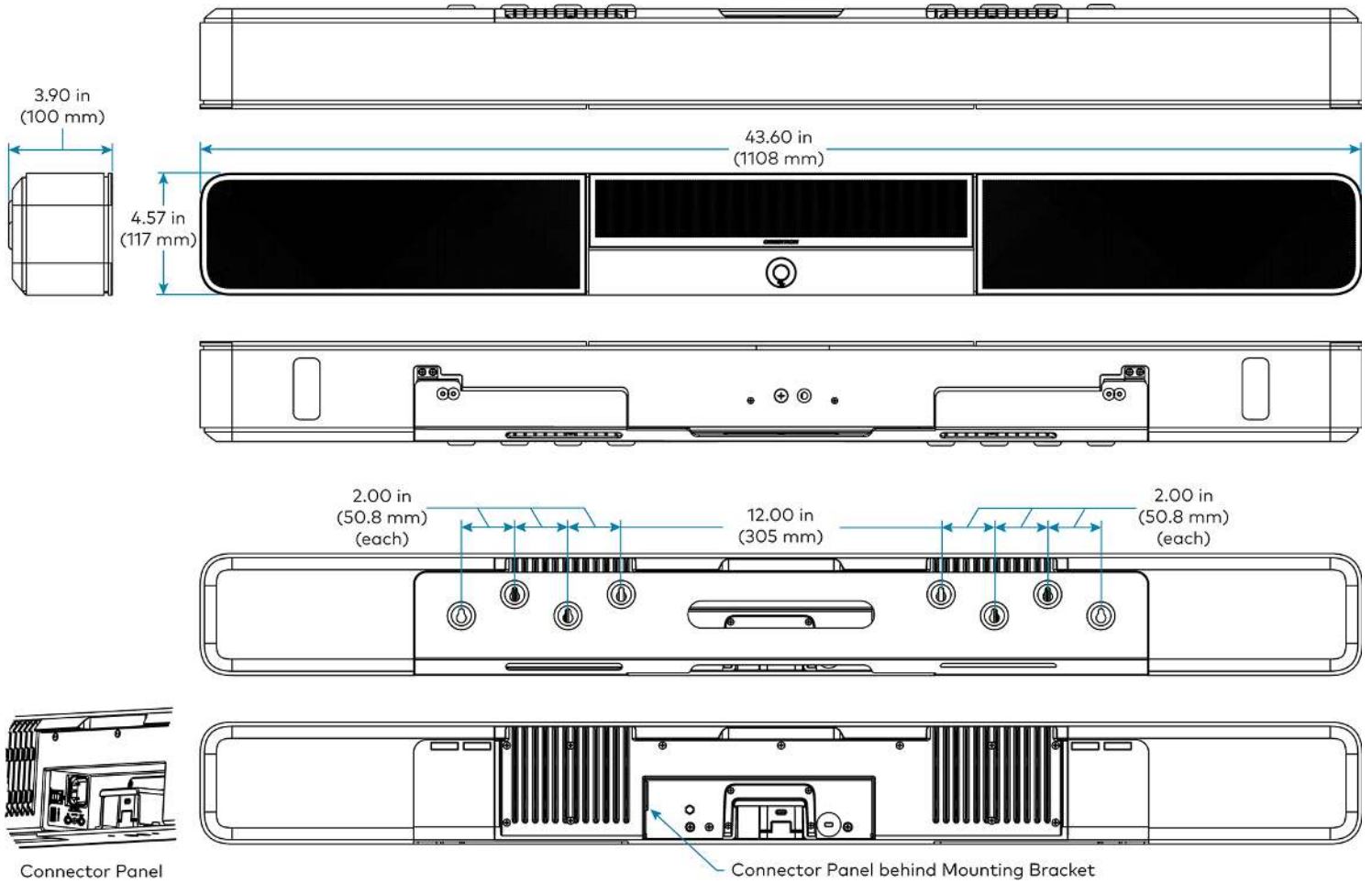
Specifications are subject to change without notice.

©2020 Crestron Electronics, Inc.

Rev 06/23/20

# UC-B160-T

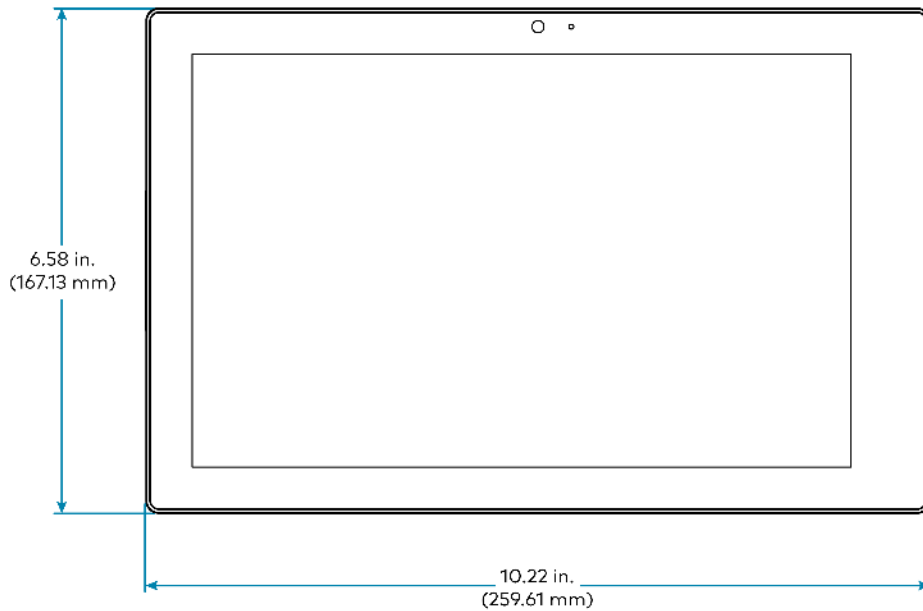
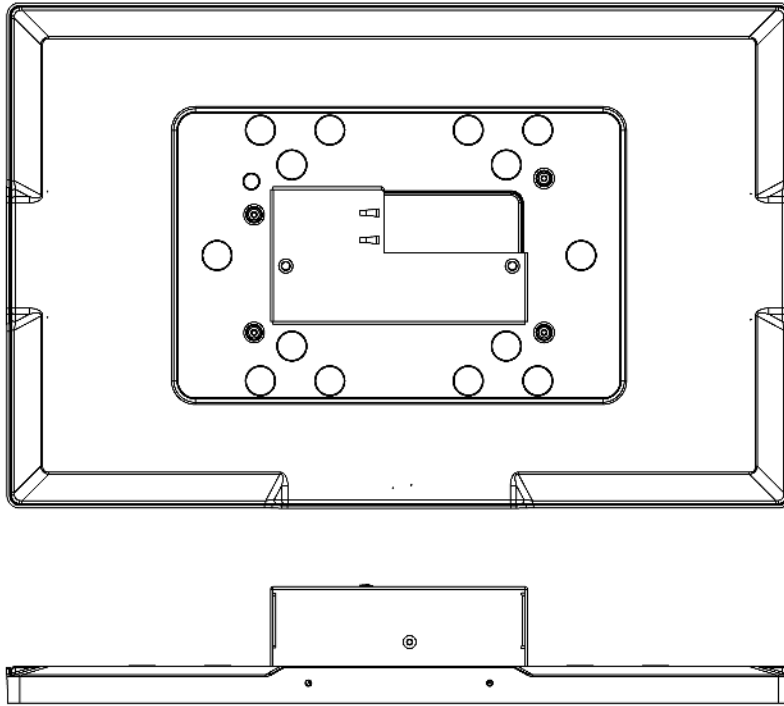
Crestron Flex Wall Mount UC Video Conference System for Microsoft Teams® Rooms



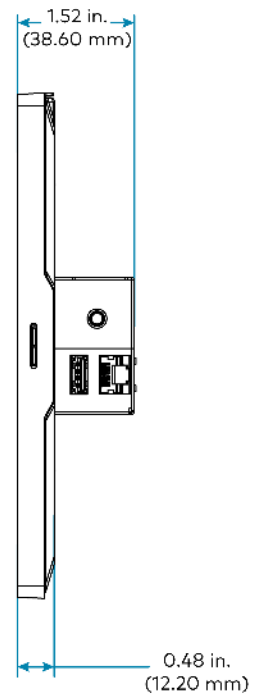
UC-SB1-CAM-FLEX

# UC-B160-T

Crestron Flex Wall Mount UC Video Conference System for Microsoft Teams® Rooms

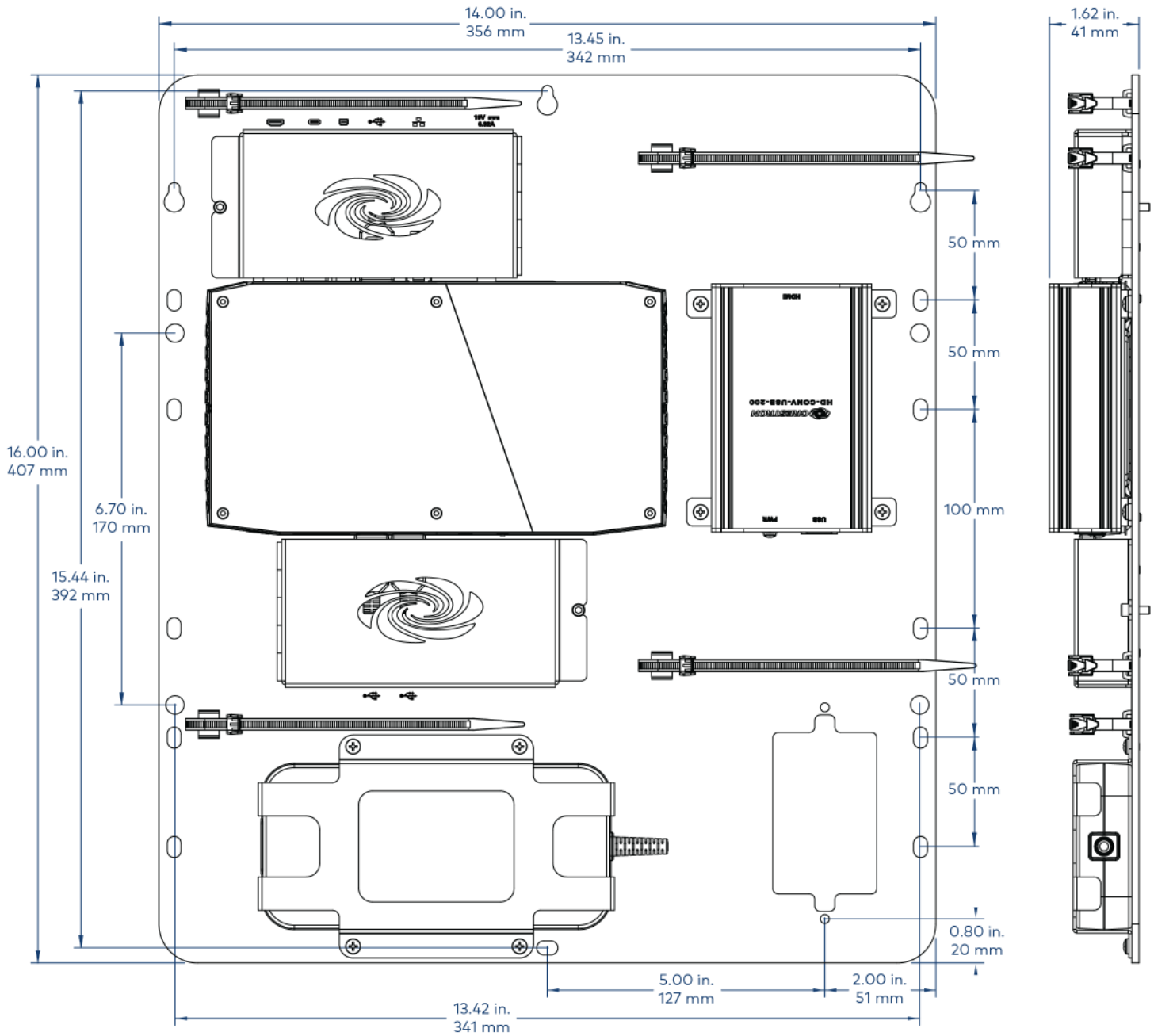


TSW-1060-B-S



# UC-B160-T

Crestron Flex Wall Mount UC Video Conference System for Microsoft Teams® Rooms



UC-BRKT-100-ASSY