

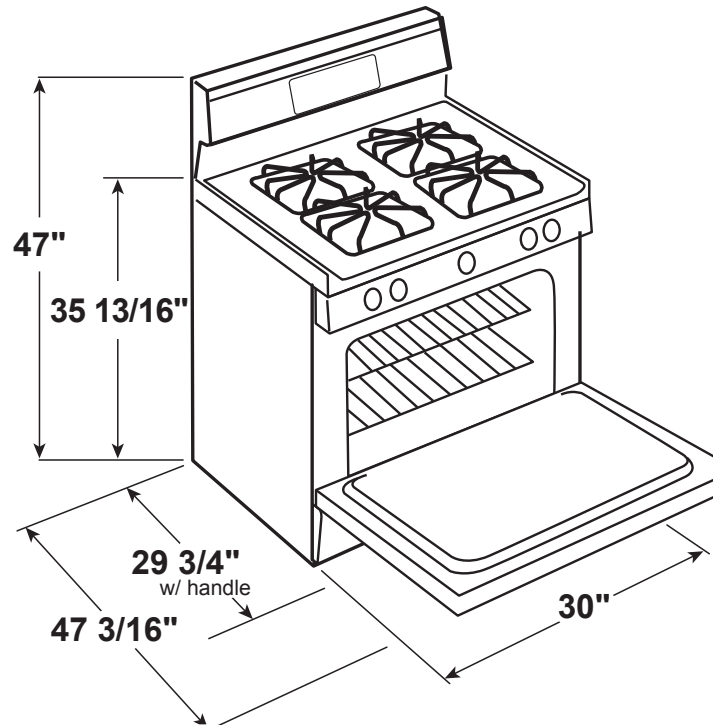
# P2B935YP/BP

## GE Profile™ 30" Free-Standing Self Clean Dual-Fuel Fingerprint Resistant Range with Storage Drawer

### DIMENSIONS AND INSTALLATION INFORMATION (IN INCHES)

**ELECTRICAL RATING:** 240V, 60Hz, 30A

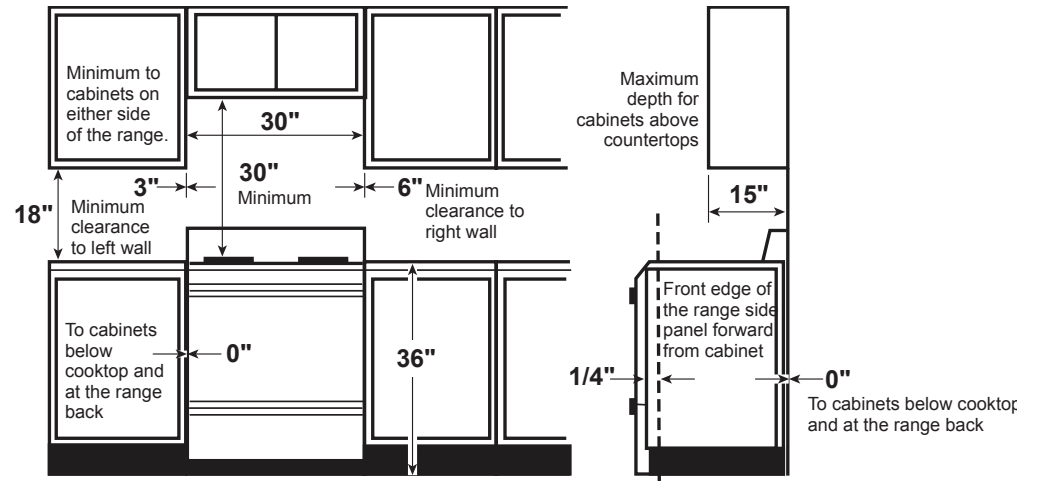
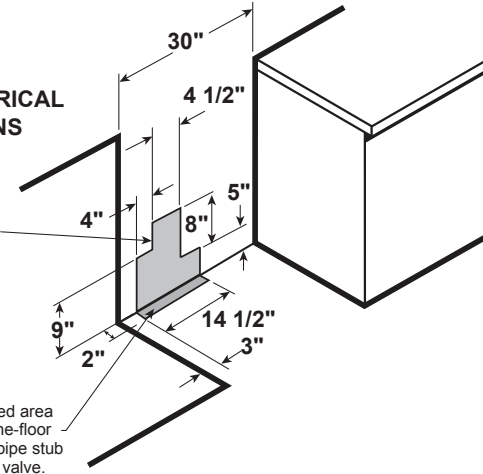
**INSTALLATION INFORMATION:** Before installing, consult installation instructions packed with product for current dimensional data.



### GAS PIPE AND ELECTRICAL OUTLET LOCATIONS

Recommended area for 120V outlet on rear wall and area for through-the-wall connection of pipe stub and shut-off valve.

Recommended area for through-the-floor connection of pipe stub and shut-off valve.



For answers to your Monogram®, GE Profile™ or GE® appliance questions, visit our website at [geappliances.com](http://geappliances.com) or call GE Answer Center® service, 800.626.2000.



All GE ranges are equipped with an Anti-Tip device. The installation of this device is an important, required step in the installation of the range.



# P2B935YP/BP

## *GE Profile™ 30" Free-Standing Self Clean Dual-Fuel Fingerprint Resistant Range with Storage Drawer*

### **FEATURES AND BENEFITS**

**No Preheat Air Fry** – With this air fryer right in the oven, you can cook healthier, crispier versions of your favorite foods. There's no preheat required and it shortens the cook time because every minute counts.

**Built-in WiFi** – This smart oven features built-in WiFi so you can control oven functions with the SmartHQ app on your smart device.

**Fingerprint Resistant Stainless** – A stainless finish that makes it easy to keep your appliances free of smudges and prints.

**Dual Fuel** – This range is equipped with Dual Fuel technology, offering a gas cooktop and electric oven for even results and precise temperature control.

**Reversible Grill and Griddle** – This extra-large, reversible griddle and grill combination lets you enjoy the best in cooking versatility.

**True Convection with Precise Air** – This oven features True Convection, an advanced convection system that uses a third heating element and reversing fan for the highest level of heat and air circulation.

**Synchronized Clocks and Lights** – Synchronize your oven and GE Appliances over-the-range microwave so that clocks are always matching and lights and ventilation automatically come on when a burner is activated with Chef Connect.

**3 Oven Racks** – This oven features three adjustable racks for extra space in the oven.

**Center Oval Burner** – This center oval burner gives you a fifth burner and the perfect place to use griddles or odd-size cookware.

**Self-Clean with Steam Clean** – This self-cleaning oven uses optional steam cleaning for light soils to clean the oven cavity with less heat and odor.

**Tri-Ring Burner** – A versatile burner offers three different-sized flame rings on a single burner element, so it's like having three burners in one.

Model P2B935YPFS – Fingerprint Resistant Stainless Steel

Model P2B935BPPTS – Black Stainless

