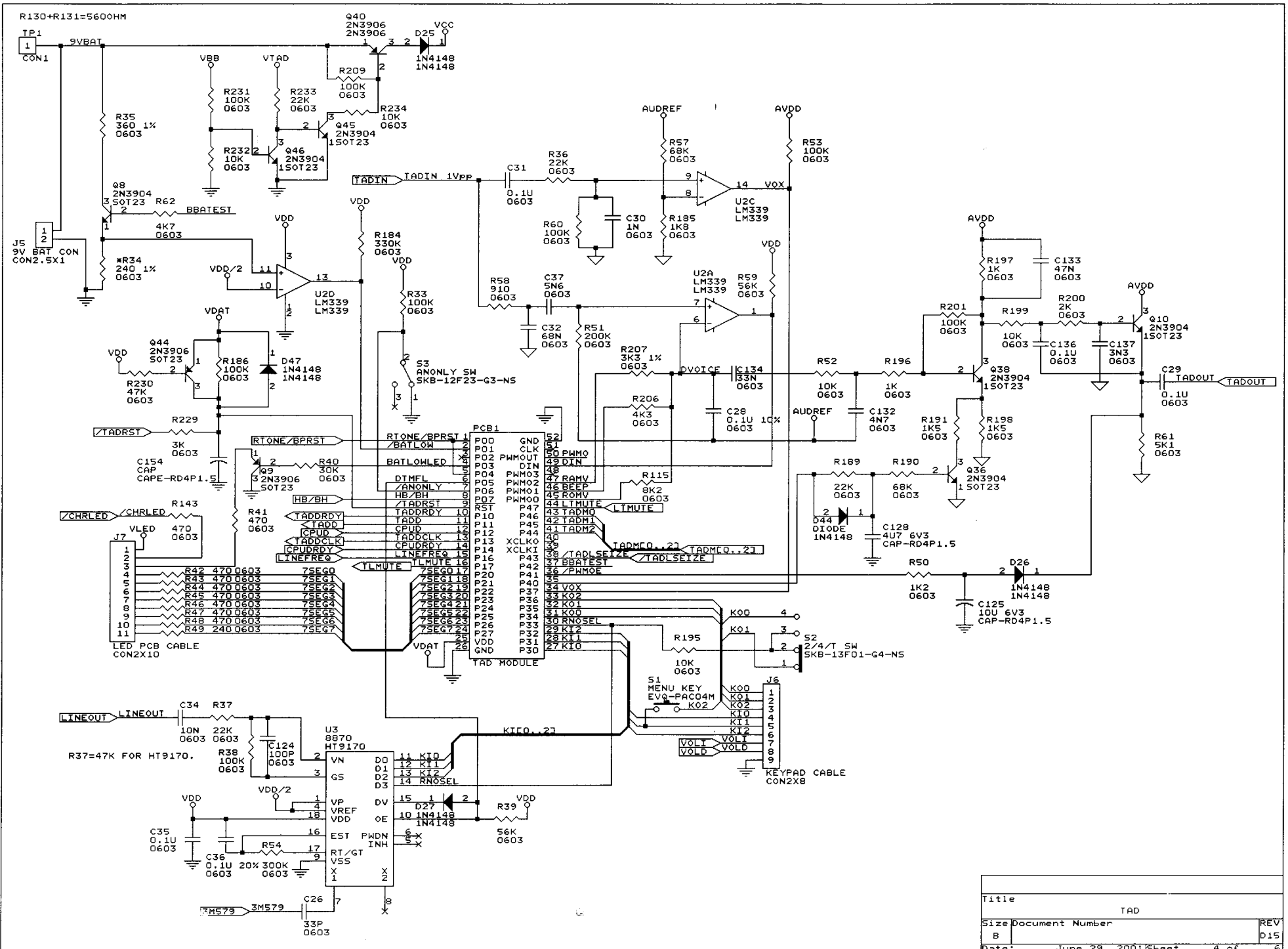
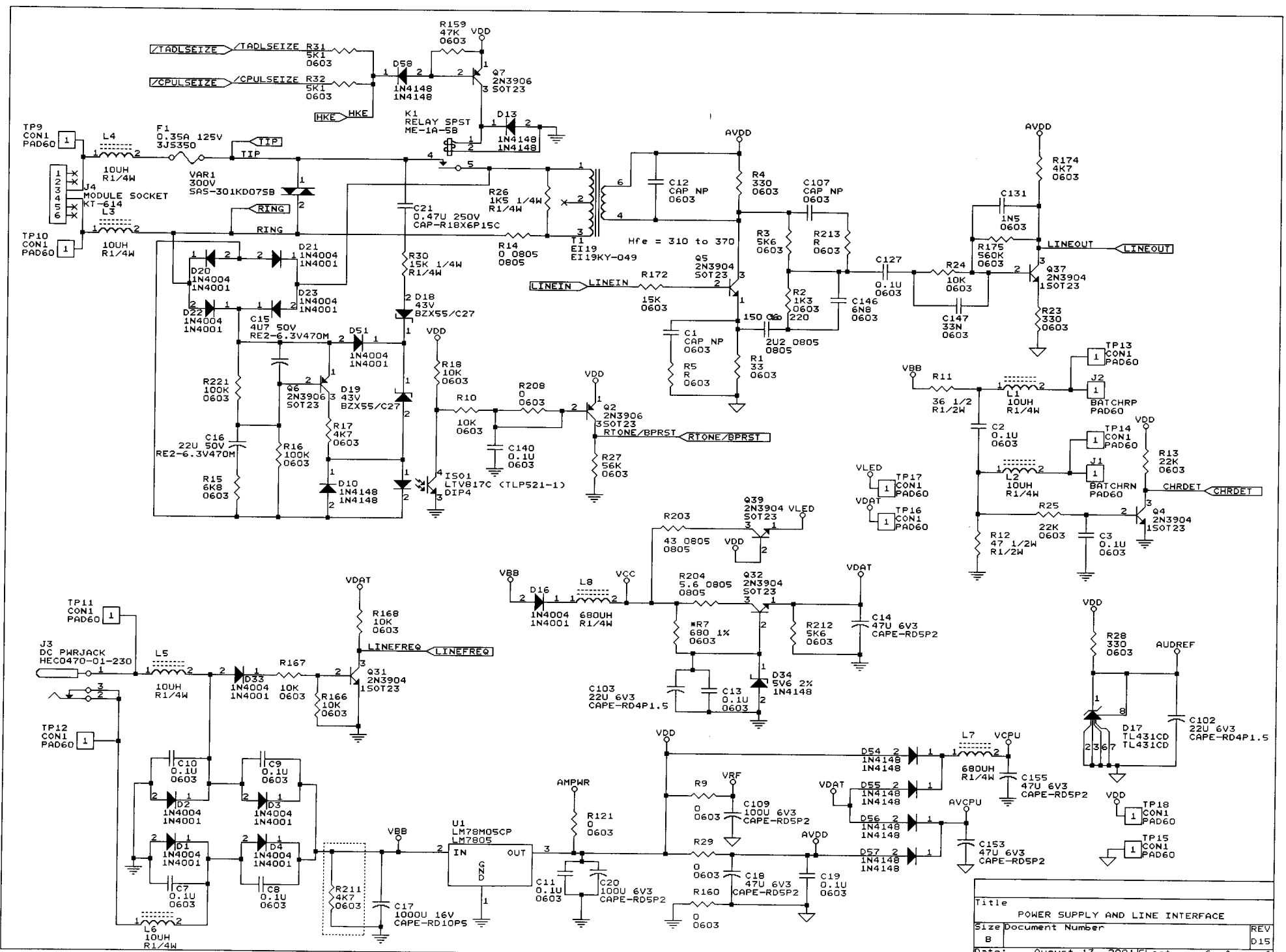


R220 VOLO HIGH = MB40/60 FLASH650MS

Title			MIXER
Size	Document Number	REV	
B			D15
Date:	June 29, 2001	Sheet	3 of 6

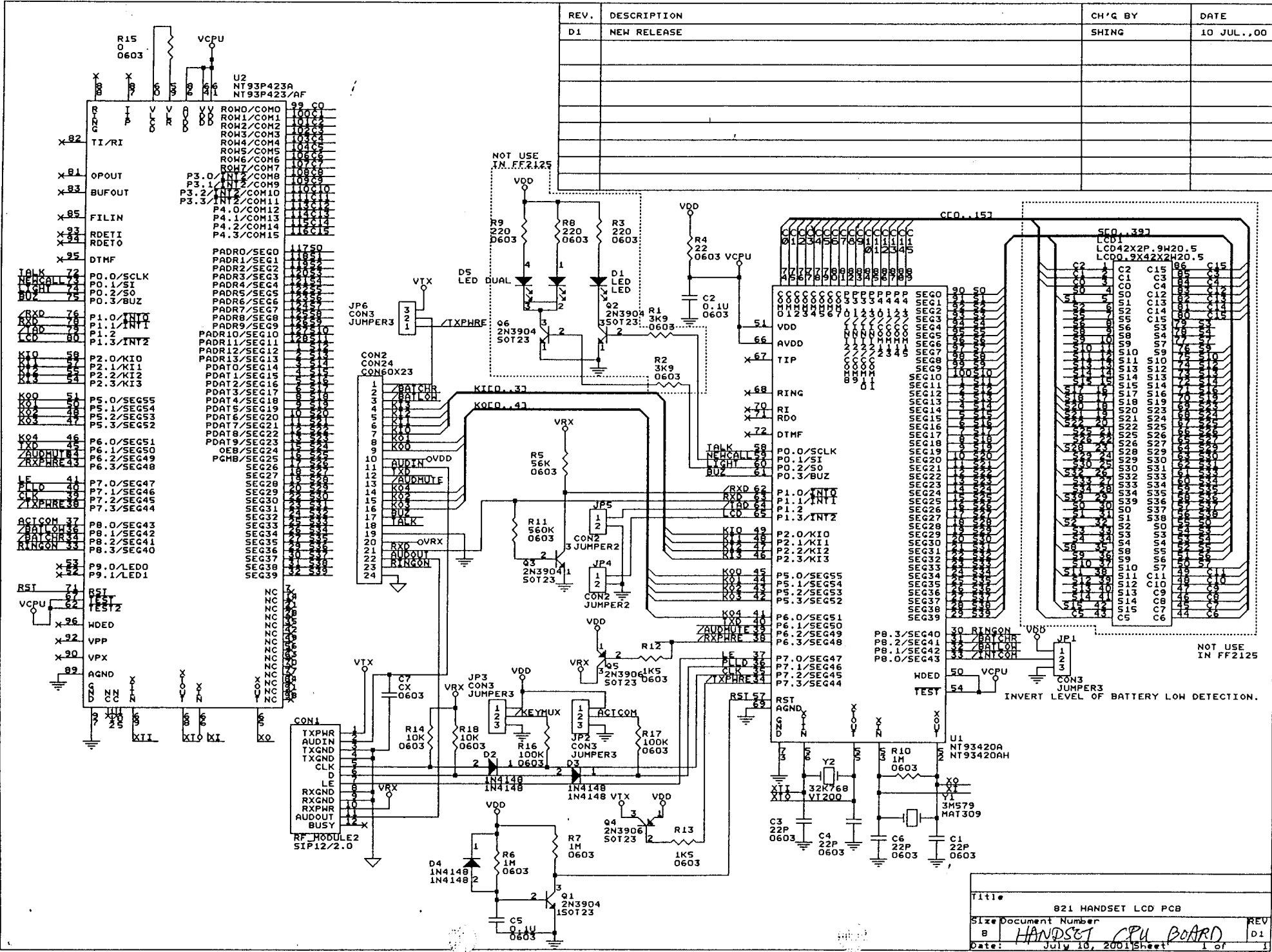


Title		TAD
Size	Document Number	REV
B		D15
Date:	June 29, 2001	Sheet 4 of 6

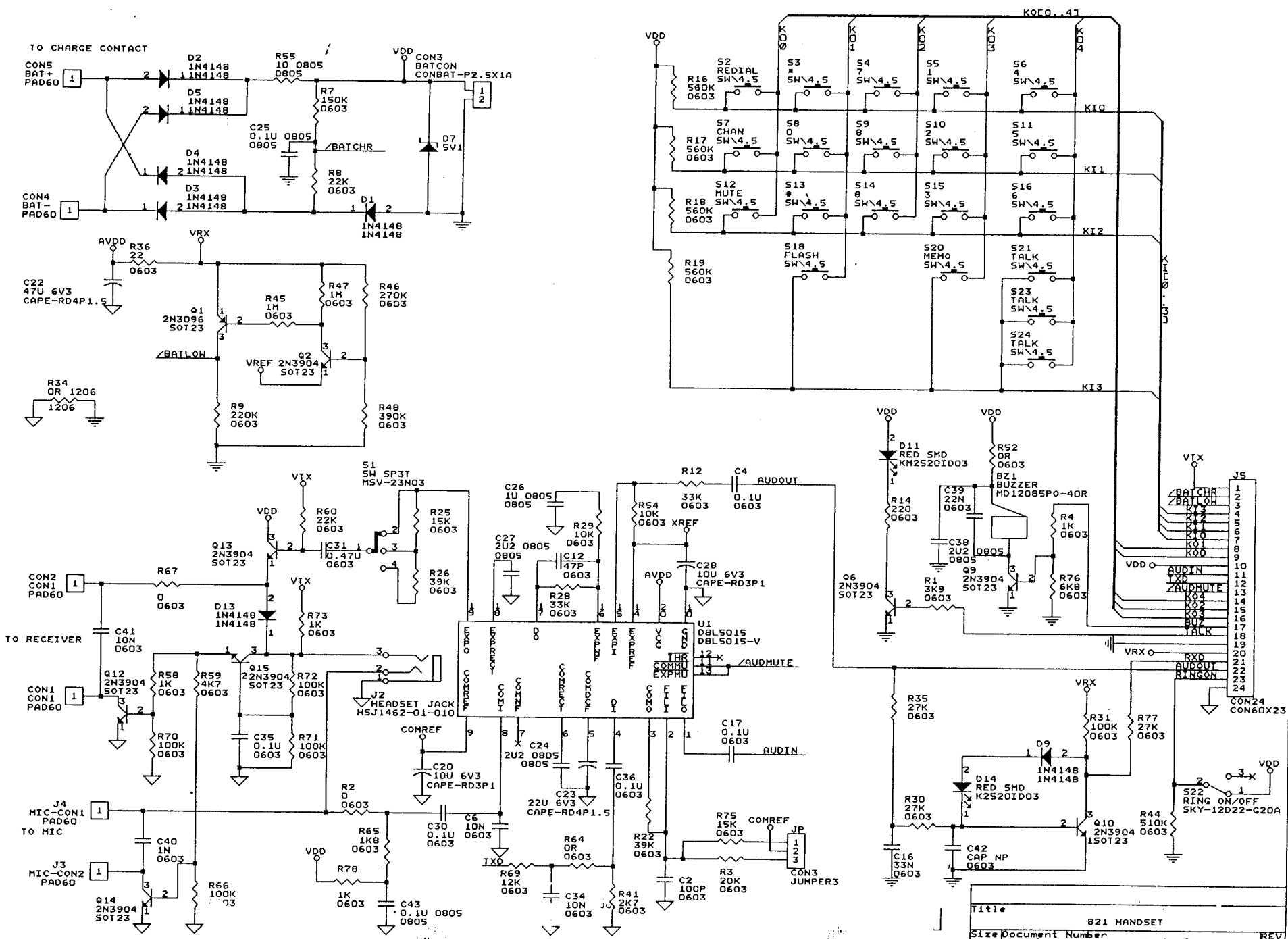


Title		
POWER SUPPLY AND LINE INTERFACE		
Size	Document Number	REV
B		D15
Date:	August 13, 2001	Sheet 6 of 6

REV.	DESCRIPTION	CH'G BY	DATE
D1	NEW RELEASE	SHING	10 JUL.,00

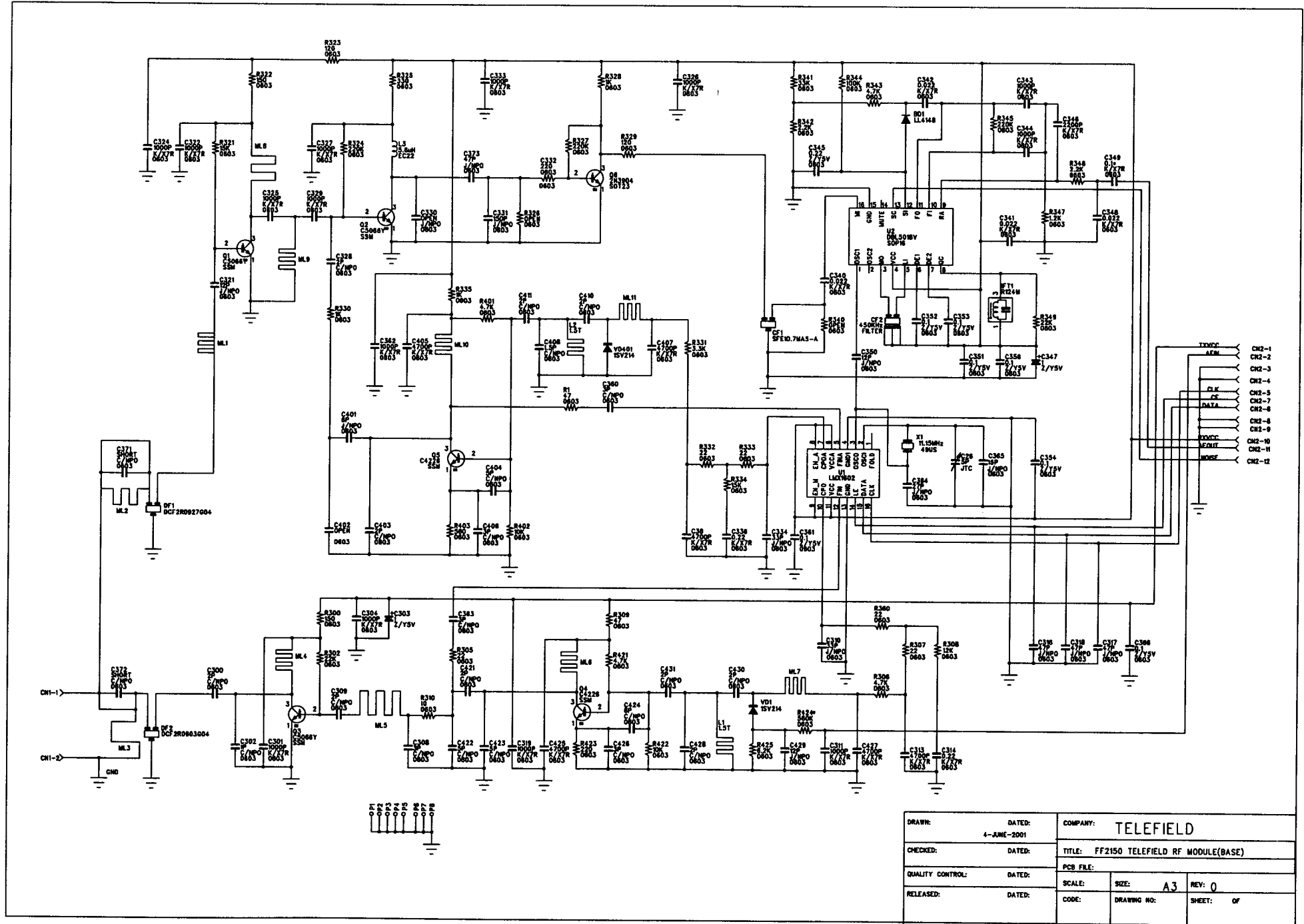


Title: 821 HANDSET LCD PCB  
 Size: Document Number: B  
 Date: July 10, 2001 Sheet 1 of 1  
 HANDSET CPU BOARD  
 REV D1



Title	821 HANDSET	
Size	Document Number	REV
B	HANDSET MAIN BOARD	D3
Date:	June 12, 2001	Sheet 2 of 2





DRAWN:	DATED:	COMPANY: TELEFIELD	
	4-JUNE-2001		
CHECKED:	DATED:	TITLE: FF2150 TELEFIELD RF MODULE(BASE)	
		PCB FILE:	
QUALITY CONTROL:	DATED:	SCALE:	SIZE: A3 REV: 0
RELEASED:	DATED:	CODE:	DRAWING NO: SHEET: OF

