

FV-0510VS1
FV-0810VSS1
FV-0510VSC1

FV-0510VSL1
FV-0810VSSL1
FV-0510VACL1

WhisperValue® DC™ Ventilation Fans and Fan/Lights

- Revolutionary ECM motor with SmartFlow™ technology for optimum CFM output
- Pick-A-Flow™ Speed Selector – one fan, you choose the CFM (50¹, 80 or 100 CFM)
- Optional built-in Multi-Speed Control for ASHRAE 62.2 compliance²
- Optional built-in Condensation Sensor to control moisture in the bathroom³
- Lighted models incorporate one 10W dimmable LED chip panel with <1W LED night light for warm, energy efficient illumination (night light must be wired separately)
- 3-3/8" Housing Depth – lowest profile ENERGY STAR® fan available – fits anywhere!
- Unique L-Shaped bracket simplifies installation and provides strong support
- UL approved for ceiling or wall mount (actually fits in a 2 x 4 stud wall)
- Wall Installation reduces cost by eliminating the need to incorporate a radiation damper when penetrating fire rated ceilings, making it ideal for Multi-Family applications
- Can be used to comply with ASHRAE 62.2, LEED, IAP, California Title 24, CALGreen⁴ and WA Ventilation Code

ADDITIONAL BENEFITS

- 24 gauge steel, fire code rated 4" oval to 3" round duct adapter, sold separately (model # FV-VS43R)
- Transfer Register Box (model # FV-JD, sold separately), provides room-to-room powered circulation with ductless heat pumps
- UL listed for use with the Panasonic Ceiling Radiation Damper (model # PC-RD05C5)
- UL listed for tub/shower enclosure when GFCI protected
- Warranty⁵: 6 years ECM Motor, 5 years LED, 3 years all other parts

¹ 50 CFM option not included in FV-0810VSS1 and FV-0810VSSL1

² FV-0810VSS1 and FV-0810VSSL1 only

³ FV-0510VSC1 and FV-0510VACL1 only

⁴ FV-0510VSC1 and FV-0510VACL1 only, or when other WhisperValue DC models are combined with a Panasonic Condensation Sensor Plus (FV-WCCS1-W/A or FV-WCCS2-W/A)

⁵ One year additional fan or fan/light warranty available when WhisperValue DC is controlled by a Panasonic Condensation Sensor Plus.

Installed Performance



ECM Motor with SmartFlow™ Technology

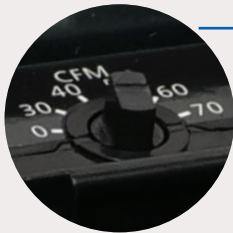
WhisperValue® DC™ is designed to perform as rated. When the fan senses static pressure, its speed is automatically increased to ensure optimal CFM output. This feature provides peace of mind, as the installer doesn't have to worry about compromising the fan's performance, even with a complicated duct run.



Pick-A-Flow Speed Technology

Built-in Pick-A-Flow speed selector provides the unique ability to select your required airflow (50-80-100 CFM) with the simple flip of a switch.

Optional Built-In Controls



Multi-Speed for ASHRAE 62.2 Compliance

(FV-0810VSS1 and FV-0810VSSL1 only)

Multi-Speed for ASHRAE 62.2 Compliance allows you to select the proper CFM settings to satisfy ASHRAE 62.2 continuous ventilation requirements. The fan runs continuously at a preset lower level (0, 30-70, in 10 CFM increments), then elevates to a maximum level of operation (80 or 100 CFM) when the wall switch is turned on.



Condensation Sensor

(FV-0510VSC1 and FV-0510VSSL1 only)

Condensation Sensor helps control bathroom condensation to prevent mold and mildew. Sensor technology detects relative humidity and temperature to anticipate dew point, automatically turning the fan on to control humidity. Built-in Relative Humidity (RH) sensitivity adjustment enables fine tuning for moist conditions and for satisfying CALGreen requirements. The fan will run for 20 minutes before turning off.



LED Lighting

WhisperValue® DC™ fan/light models feature a contemporary flush mount grille that incorporates one 10W Dimmable LED chip panel with <1W LED night light for warm, energy efficient illumination. Panel specifications include: 3000 Kelvin Warm White/90CRI/700 lumens/70 LPW/ENERGY STAR 2.0 certified/50,000 hours rated average life.

WhisperValue® DC™ to WhisperValue®/ WhisperValue® Lite™ Cross Reference

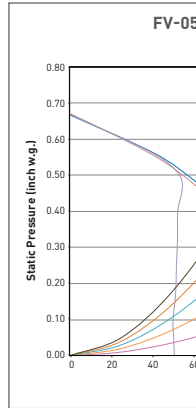
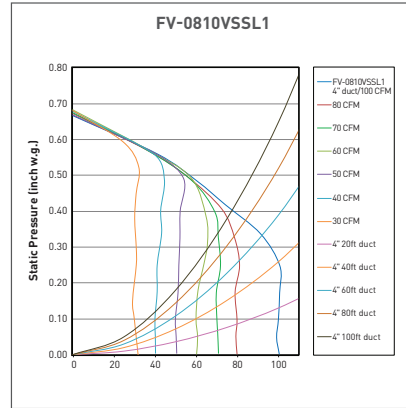
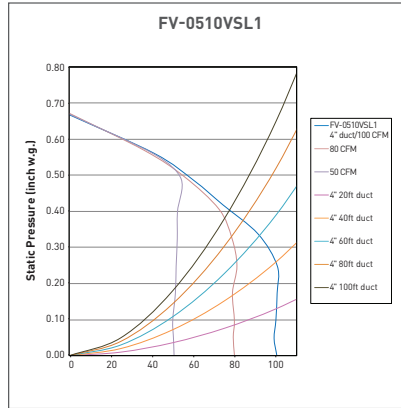
| | WhisperValue® DC™ | | WhisperValue®/ WhisperValue® Lite™ | |
|------------------|---|--|------------------------------------|--------------------------------|
| | New Model # | Description | Discontinued Model # | Description |
| Fan Only | FV-0510VS1 | Fan Only, 50-80-100 CFM | FV-05VS3 | Fan Only, 50 CFM |
| | | | FV-08VS3 | Fan Only, 80 CFM |
| | | | FV-10VS3E | Fan Only, 100 CFM |
| | FV-0510VSC1 | Fan Only, 50-80-100 CFM, Condensation Sensor | N/A | N/A |
| FV-0810VSS1 | Fan Only, 80-100 CFM, Multi-Speed for ASHRAE 62.2 | N/A | N/A | |
| Fan/LED Light | FV-0510VSL1 | Fan/LED Light, 50-80-100 CFM | FV-08VSL3 | Fan/CFL Light, 80 CFM |
| | | | FV-10VSL3E | Fan/CFL Light, 100 CFM |
| | FV-0510VSSL1 | Fan/LED Light, 50-80-100 CFM, Condensation Sensor | N/A | N/A |
| | FV-0810VSSL1 | Fan/LED Light, 80-100 CFM, Multi-Speed for ASHRAE 62.2 | N/A | N/A |
| Contractor Packs | FV-0510VSA1 | FV-0510VS1 Housing Can | FV-05-10VSA3 | Universal Housing Can |
| | FV-0510VSB1 | FV-0510VS1 Motor/Grille Assembly, 50-80-100 CFM | FV-05VSB3 | Motor/Grille Assembly, 50 CFM |
| | | | FV-08VSB3 | Motor/Grille Assembly, 80 CFM |
| | | | FV-10VSB3E | Motor/Grille Assembly, 100 CFM |

WhisperValue[®] DC™

VENTILATION FAN



FV-0510VSL1
FV-0810VSSL1
FV-0510VSCL1



WhisperValue[®] DC™ 4" Oval Duct (Fan/LED Light)

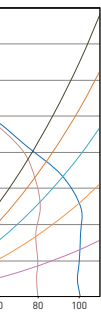
| SPECIFICATIONS | | FV-0510VSL1 | | | | | | | | |
|---|------------------------------------|-------------|------|----------|---------|--------|----------|---------|------|--|
| | | 4 Oval | | 4 Oval | | 4 Oval | | 4 Oval | | |
| Characteristics (HVI tested data for 0.1" S.P.) | Static Pressure in inches w.g. | 0.1 | 0.25 | 0.1 | 0.25 | 0.1 | 0.25 | 0.1 | 0.25 | |
| | Air Volume (CFM) | 100 | 101 | 80 | 81 | 50 | 52 | 100 | 101 | |
| | Noise (sones) | 0.9 | 1.3 | 0.4 | 0.8 | <0.3 | 0.5 | 0.9 | 1.3 | |
| | Power Consumption (watts) | 12.4 | 18.0 | 8.5 | 13.2 | 4.5 | 7.7 | 12.4 | 18.0 | |
| | Energy Efficiency (CFM/Watt) | 8.2 | 5.7 | 10.0 | 6.5 | 12.1 | 7.3 | 8.2 | 5.7 | |
| | Speed (RPM) | 954 | 1176 | 856 | 1114 | 733 | 1050 | 954 | 1176 | |
| | Current (amps) | 0.18 | 0.25 | 0.13 | 0.20 | 0.08 | 0.13 | 0.18 | 0.25 | |
| | MAX. Current (amps) | 0.39 | | | 0.39 | | | 0.39 | | |
| Specifications | Power Rating (V/Hz) | 120/60 | | | 120/60 | | | 120/60 | | |
| | Motor Type | ECM | | | ECM | | | ECM | | |
| | Type of Motor Bearing | Ball | | | Ball | | | Ball | | |
| | Thermal Fuse Protection | Yes | | | Yes | | | Yes | | |
| | Blower Wheel Type | Sirocco | | | Sirocco | | | Sirocco | | |
| | ENERGY STAR Qualified | Yes | | | Yes | | | Yes | | |
| Installation | Duct Diameter (Inches) | 4 Oval | | | 4 Oval | | | 4 Oval | | |
| | Mounting Opening (Inches sq.) | 10-1/2 | | | 10-1/2 | | | 10-1/2 | | |
| | Grille Size (Inches sq.) | 13 | | | 13 | | | 13 | | |
| Light Specifications | Lamp Watts | 10.0 | | | 10.0 | | | 10.0 | | |
| | Lumens (lm) | 700 | | | 700 | | | 700 | | |
| | Lumens Per Watt (LPW) | 70 | | | 70 | | | 70 | | |
| | Color Rendering Index | 90 | | | 90 | | | 90 | | |
| | Color Temperature (Kelvin) | 3,000 | | | 3,000 | | | 3,000 | | |
| | Rated Life (hours) | 50,000 | | | 50,000 | | | 50,000 | | |
| | Lamp Model # | N/A | | | N/A | | | N/A | | |
| Type of Lamp Socket | LED chip | | | LED chip | | | LED chip | | | |
| Night Light Specs | Night Light Watts | 0.2 | | | 0.2 | | | 0.2 | | |
| Shipping | Gross Weight (lbs) | 9.9 | | | 9.9 | | | 9.9 | | |
| Approved Code/Standard/Regulation | UL tub/Shower Enclosure | Yes | | | Yes | | | Yes | | |
| | Washington VIAQ Code | Yes | | | Yes | | | Yes | | |
| | California Title 24 Compliant | Yes | | | Yes | | | Yes | | |
| | Mfg in ISO 9001 Certified Facility | Yes | | | Yes | | | Yes | | |



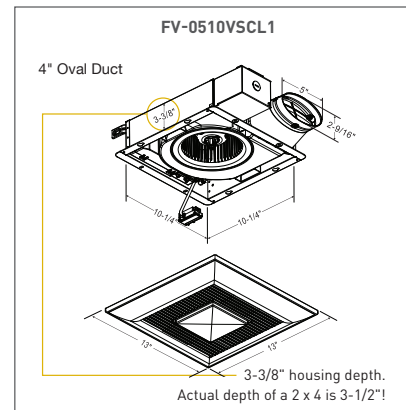
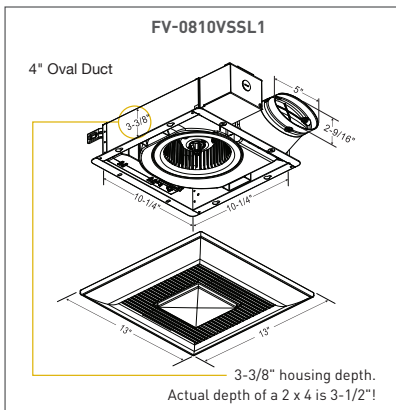
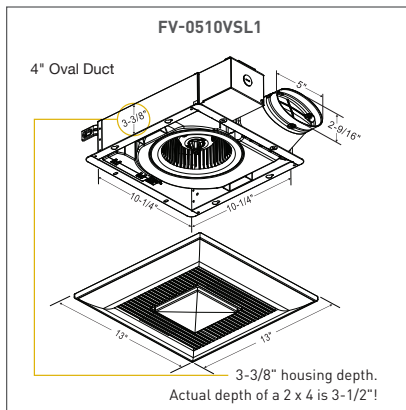
*As tested by an EPA recognized lab

NOTE: 0.25" w.g. = INSTALLED PERFORMANCE

10VSSL1



- FV-0510VSSL1
- 4" duct/100 CFM
- 80 CFM
- 50 CFM
- 4" 20ft duct
- 4" 40ft duct
- 4" 60ft duct
- 4" 80ft duct
- 4" 100ft duct



Light Models)

| FV-0810VSSL1 | | | | | | | | | | | | FV-0510VSSL1 | | | | | |
|--------------|------|--------|------|--------|------|--------|------|--------|------|--------|------|--------------|------|--------|------|--------|------|
| 4 Oval | | 4 Oval | | 4 Oval | | 4 Oval | | 4 Oval | | 4 Oval | | 4 Oval | | 4 Oval | | 4 Oval | |
| 0.1 | 0.25 | 0.1 | 0.25 | 0.1 | 0.25 | 0.1 | 0.25 | 0.1 | 0.25 | 0.1 | 0.25 | 0.1 | 0.25 | 0.1 | 0.25 | 0.1 | 0.25 |
| 80 | 81 | 70 | 72 | 60 | 64 | 50 | 52 | 40 | 41 | 30 | 31 | 100 | 101 | 80 | 81 | 50 | 52 |
| 0.4 | 0.8 | <0.3 | 0.6 | <0.3 | 0.6 | <0.3 | 0.5 | <0.3 | 0.5 | <0.3 | 0.5 | 0.9 | 1.3 | 0.4 | 0.8 | <0.3 | 0.5 |
| 8.5 | 13.2 | 6.5 | 10.8 | 5.3 | 9.3 | 4.5 | 7.7 | 3.8 | 6.7 | 3.4 | 6.0 | 12.4 | 18.0 | 8.5 | 13.2 | 4.5 | 7.7 |
| 0.0 | 6.5 | 11.2 | 6.9 | 11.8 | 7.2 | 12.1 | 7.3 | 11.8 | 6.9 | 10.2 | 6.0 | 8.2 | 5.7 | 10.0 | 6.5 | 12.1 | 7.3 |
| 856 | 1114 | 805 | 1088 | 770 | 1076 | 733 | 1050 | 723 | 1037 | 711 | 1033 | 954 | 1176 | 856 | 1114 | 733 | 1050 |
| 0.13 | 0.20 | 0.10 | 0.16 | 0.09 | 0.15 | 0.08 | 0.13 | 0.07 | 0.11 | 0.06 | 0.10 | 0.18 | 0.25 | 0.13 | 0.20 | 0.08 | 0.13 |
| 0.39 | | | | | | | | | | | | 0.39 | | | | | |
| 120/60 | | | | | | | | | | | | 120/60 | | | | | |
| ECM | | | | | | | | | | | | ECM | | | | | |
| Ball | | | | | | | | | | | | Ball | | | | | |
| Yes | | | | | | | | | | | | Yes | | | | | |
| Sirocco | | | | | | | | | | | | Sirocco | | | | | |
| Yes | | | | | | | | | | | | Yes | | | | | |
| 4 Oval | | | | | | | | | | | | 4 Oval | | | | | |
| 10-1/2 | | | | | | | | | | | | 10-1/2 | | | | | |
| 13 | | | | | | | | | | | | 13 | | | | | |
| 10.0 | | | | | | | | | | | | 10.0 | | | | | |
| 700 | | | | | | | | | | | | 700 | | | | | |
| 70 | | | | | | | | | | | | 70 | | | | | |
| 90 | | | | | | | | | | | | 90 | | | | | |
| 3,000 | | | | | | | | | | | | 3,000 | | | | | |
| 50,000 | | | | | | | | | | | | 50,000 | | | | | |
| N/A | | | | | | | | | | | | N/A | | | | | |
| LED Chip | | | | | | | | | | | | LED chip | | | | | |
| 0.2 | | | | | | | | | | | | 0.2 | | | | | |
| 9.9 | | | | | | | | | | | | 9.9 | | | | | |
| Yes | | | | | | | | | | | | Yes | | | | | |
| Yes | | | | | | | | | | | | Yes | | | | | |
| Yes | | | | | | | | | | | | Yes | | | | | |
| Yes | | | | | | | | | | | | Yes | | | | | |



**Panasonic Eco Solutions of North America
Eco Products Division**

Two Riverfront Plaza
Newark, NJ 07102

us.panasonic.com/ventfans

For Order Information

PHONE: 866-292-7299
FAX: 888-553-0723

ventfans@us.panasonic.com

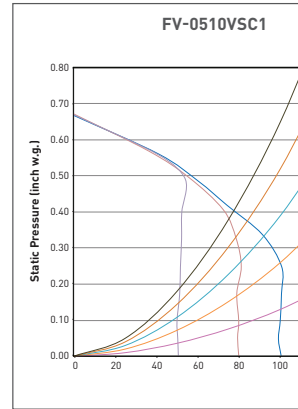
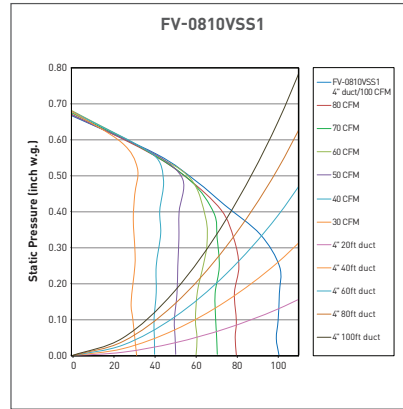
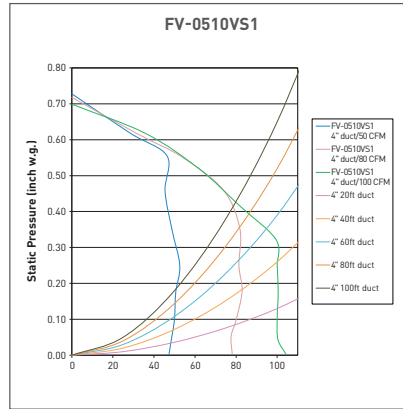
VF172785S

High Performing, Code Compliant Multi-Family Solution

WhisperValue[®] DC™
VENTILATION FAN



FV-0510VS1
FV-0810VSS1
FV-0510VSC1



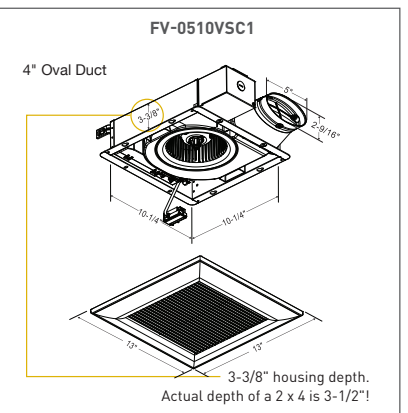
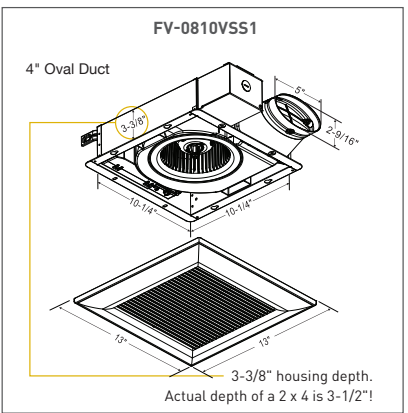
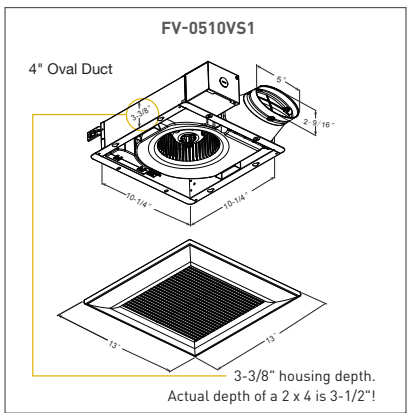
| SPECIFICATIONS | | FV-0510VS1 | | | | | | | | | |
|---|------------------------------------|--------------------------|------|--------|------|--------|------|--------|------|--------|------|
| | | 4 Oval | | 4 Oval | | 4 Oval | | 4 Oval | | 4 Oval | |
| Characteristics (HVI tested data for 0.1" S.P.) | Duct Diameter (Inches) | 0.1 | 0.25 | 0.1 | 0.25 | 0.1 | 0.25 | 0.1 | 0.25 | 0.1 | 0.25 |
| | Static Pressure in inches w.g. | 100 | 100 | 80 | 81 | 50 | 53 | 100 | 101 | 80 | 81 |
| | Air Volume (CFM) | 0.9 | 1.3 | 0.4 | 0.8 | <0.3 | 0.5 | 0.9 | 1.3 | 0.4 | 0.8 |
| | Noise (sones) | 11.1 | 16.0 | 7.2 | 11.5 | 4.4 | 7.5 | 12.4 | 18.0 | 8.5 | 13.0 |
| | Power Consumption (watts) | 9.2 | 6.4 | 11.4 | 7.2 | 12.8 | 7.9 | 8.2 | 5.7 | 10.0 | 6.4 |
| | Energy Efficiency (CFM/Watt) | 902 | 1121 | 797 | 1070 | 708 | 1025 | 954 | 1176 | 856 | 1121 |
| | Speed (RPM) | 0.20 | 0.27 | 0.13 | 0.20 | 0.09 | 0.14 | 0.18 | 0.25 | 0.13 | 0.20 |
| | Current (amps) | MAX. Current (amps) 0.39 | | | | | | | | | |
| Specifications | Power Rating (W/Hz) | 120/60 | | | | | | | | | |
| | Motor Type | ECM | | | | | | | | | |
| | Type of Motor Bearing | Ball | | | | | | | | | |
| | Thermal Fuse Protection | Yes | | | | | | | | | |
| | Blower Wheel Type | Sirocco | | | | | | | | | |
| Installation | ENERGY STAR Qualified | Yes | | | | | | | | | |
| | Duct Diameter (Inches) | 4 Oval | | | | | | | | | |
| | Mounting Opening (Inches sq.) | 10-1/2 | | | | | | | | | |
| Light Specifications | Grille Size (Inches sq.) | 13 | | | | | | | | | |
| | Lamp Watts | N/A | | | | | | | | | |
| | Lumens (lm) | N/A | | | | | | | | | |
| | Lumens Per Watt (LPW) | N/A | | | | | | | | | |
| | Color Rendering Index | N/A | | | | | | | | | |
| | Color Temperature (Kelvin) | N/A | | | | | | | | | |
| | Rated Life (hours) | N/A | | | | | | | | | |
| Night Light Specs | Lamp Model # | N/A | | | | | | | | | |
| | Type of Lamp Socket | N/A | | | | | | | | | |
| Shipping | Night Light Watts | N/A | | | | | | | | | |
| Approved Code/Standard/Regulation | Gross Weight (lbs) | 8.8 | | | | | | | | | |
| | UL tub/Shower Enclosure | Yes | | | | | | | | | |
| | Washington VIAQ Code | Yes | | | | | | | | | |
| | California Title 24 Compliant | Yes | | | | | | | | | |
| | Mfg in ISO 9001 Certified Facility | Yes | | | | | | | | | |



*As tested by an EPA recognized lab

NOTE: 0.25" w.g. = INSTALLED PERFORMANCE

- FV-0510VSC1
- 4" duct/100 CFM
- 80 CFM
- 50 CFM
- 4" 20ft duct
- 4" 40ft duct
- 4" 60ft duct
- 4" 80ft duct
- 4" 100ft duct



WhisperValue® DC™ 4" Oval Duct (Fan Only Models)

| FV-0810VSS1 | | | | | | | | | | | FV-0510VSC1 | | | | | | |
|-------------|---------|------|--------|------|--------|------|--------|------|--------|------|-------------|------|--------|------|--------|------|--|
| | 4 Oval | | 4 Oval | | 4 Oval | | 4 Oval | | 4 Oval | | 4 Oval | | 4 Oval | | 4 Oval | | |
| | 0.1 | 0.25 | 0.1 | 0.25 | 0.1 | 0.25 | 0.1 | 0.25 | 0.1 | 0.25 | 0.1 | 0.25 | 0.1 | 0.25 | 0.1 | 0.25 | |
| 25 | | | | | | | | | | | | | | | | | |
| 31 | 70 | 72 | 60 | 64 | 50 | 52 | 40 | 41 | 30 | 31 | 100 | 101 | 80 | 81 | 50 | 52 | |
| 38 | <0.3 | 0.6 | <0.3 | 0.6 | <0.3 | 0.5 | <0.3 | 0.5 | <0.3 | 0.5 | 0.9 | 1.3 | 0.4 | 0.8 | <0.3 | 0.5 | |
| 3.2 | 6.5 | 10.8 | 5.3 | 9.3 | 4.5 | 7.7 | 3.8 | 6.7 | 3.4 | 6.0 | 12.4 | 18.0 | 8.5 | 13.2 | 4.5 | 7.7 | |
| 5 | 11.2 | 6.9 | 11.8 | 7.2 | 12.1 | 7.3 | 11.8 | 6.9 | 10.2 | 6.0 | 8.2 | 5.7 | 10.0 | 6.5 | 12.1 | 7.3 | |
| 14 | 805 | 1088 | 770 | 1076 | 733 | 1050 | 723 | 1037 | 711 | 1033 | 954 | 1176 | 856 | 1114 | 733 | 1050 | |
| 20 | 0.10 | 0.16 | 0.09 | 0.15 | 0.08 | 0.13 | 0.07 | 0.11 | 0.06 | 0.10 | 0.18 | 0.25 | 0.13 | 0.20 | 0.08 | 0.13 | |
| | 0.39 | | | | | | | | | | 0.39 | | | | | | |
| | 120/60 | | | | | | | | | | 120/60 | | | | | | |
| | ECM | | | | | | | | | | ECM | | | | | | |
| | Ball | | | | | | | | | | Ball | | | | | | |
| | Yes | | | | | | | | | | Yes | | | | | | |
| | Sirocco | | | | | | | | | | Sirocco | | | | | | |
| | Yes | | | | | | | | | | Yes | | | | | | |
| | 4 Oval | | | | | | | | | | 4 Oval | | | | | | |
| | 10-1/2 | | | | | | | | | | 10-1/2 | | | | | | |
| | 13 | | | | | | | | | | 13 | | | | | | |
| | N/A | | | | | | | | | | N/A | | | | | | |
| | N/A | | | | | | | | | | N/A | | | | | | |
| | N/A | | | | | | | | | | N/A | | | | | | |
| | N/A | | | | | | | | | | N/A | | | | | | |
| | N/A | | | | | | | | | | N/A | | | | | | |
| | N/A | | | | | | | | | | N/A | | | | | | |
| | N/A | | | | | | | | | | N/A | | | | | | |
| | N/A | | | | | | | | | | N/A | | | | | | |
| | 9.0 | | | | | | | | | | 9.0 | | | | | | |
| | Yes | | | | | | | | | | Yes | | | | | | |
| | Yes | | | | | | | | | | Yes | | | | | | |
| | Yes | | | | | | | | | | Yes | | | | | | |
| | Yes | | | | | | | | | | Yes | | | | | | |