

atom<sup>i</sup>

# LED DOWNLIGHT

7W LED Downlight with dimmable integral driver and flush lens

AT9038/FLUSH/TRI

TRI-COLOUR 

FLUSH LENS



## Features

- Seamless look
- Ideal for residential, retail, showroom and decorative lighting applications
- Built-in driver
- Three year warranty



## Colour temperature

Cool white, warm white and daylight



## Compliance

IC-4 rated according to AS/NZS 60598.2.2:2016



## Dimmable

On selected dimmers



## IP Rating

IP54

## Product datasheet

## Description

7W LED Downlight with dimmable integral driver -  
70mm Cut-out – White – Flush lens Tri-Colour.

## Finish

 White (WH)

## Product Specification

<b>Voltage</b>	230V ~ 50Hz		
<b>Power consumption</b>	7W		
<b>Light colour options</b>	Warm white	Cool white	Daylight
<b>Lumen output</b>	560lm	650lm	600lm
<b>Colour temperature</b>	3000K	4000K	5700K
<b>Beam angle</b>	90°		
<b>Dimmable</b>	Yes*		
<b>Warranty</b>	3 Years		
<b>Working temperature</b>	5°C – 45°C		
<b>IP Rating</b>	IP54 (Front face only)		
<b>IC Rating</b>	IC-4		
<b>Electrical classification</b>	Class II		
<b>Compliance</b>	AS/NZS 60598.2.2 AS/NZS 61347.2.13 AS/NZS CISPR15		

\*Dimmable on selected dimmers. For additional information please visit our website.

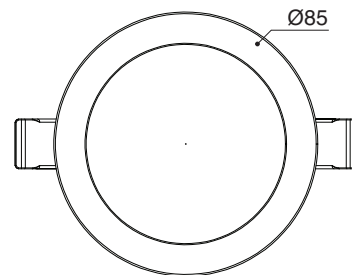
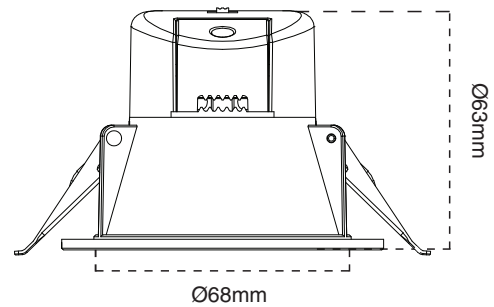
## Product range

Code	Colour temperature	Finish
AT9038/WH/F/TRI	Tri-Colour*	White

\*Selectable colour temperature, cool white, warm white or daylight.

## Dimensions

Diameter	Height	Cut out
Ø85mm	63mm	Ø70mm



Cut-out - Ø70mm