

HTI-UC400

1080P All-in-one USB Camera



- Image Effect
1080P@30fps FHD, 100° large wide Angle, without distortion;
Provide clear wide range picture and natural color.
- Audio Collection
Omnidirectional 4-mic array algorithm, 360° 4m (radius) sound pickup.
- Audio Processing
Adopt advanced voice optimization technology, process multi-dimensional voice, present more nature, abundant and clear voice.
- Audio Rendering
Support AI noise reduction/AEC/ANS/AGC; Effectively suppress noise and eliminate echo, ensure fluent and uninterrupted communication between participants.
- Installation & Appearance
All-in-one design, plug and play, support touch buttons and diversified indicators, make the operation more simple, fast and convenient.
- Software Compatibility
Compatible with mainstream Online Conference Platforms.
- Certification
CE/FCC/UKCA/IC approved.

Product Overview

HTI-UC400, an all-in-one USB camera, integrated with 100° wide-angle camera, 4-unit omnidirectional microphone and speakerphone, is mainly for small size conference rooms which seats up to 8 participants. With built-in omnidirectional microphone and high fidelity speaker, HTI-UC400 can entirely realize 4-meter (radius) full-duplex call and provides users a smooth, true and stable HIGH-DEFINITION audio and video conference experience. In addition, it is capable of connecting without installation or driver, directly supports audio and video conference software and IM instant communication tools, such as Skype, Zoom, Teams etc.

Technical Specification

Camera

Sensor Type	1/2.9" CMOS, 2M Pixel
Focal Length	2.9 mm
Field of View	Diagonal: 110°; Horizontal: 100°; Vertical: 60°

Video

Video Format	YUV: 360P@30fps/25fps MJPEG: 1080P@30fps/25fps; 720P@30fps/25fps; 480P@30fps/25fps; 360P@30fps/25fps
Resolution	FHD 1080P@30fps
Compression	MJPEG/YUV
UVC Protocol	UVC1.1/1.5
Aspect Ratio	16: 9

Auto Exposure	Support
White Balance	Support
Anti-flickering	Support
Digital Noise Reduction	3D Digital Noise Reduction
SNR	38dB
Lens Interface	M12-P0.5
Distortion	<1%
Close-up distance	0.35m

Microphone

Microphone Type	4 Units MEMS Microphone
Position	Omnidirectional
Pickup Distance	4m (radius)
Sensitivity	-26dBFS 94dB SPL@1kHz
S/N	65dBA 94dB SPL@1kHz, A-weighted
Audio Coding Format	PDM

Speakerphone

Rated output	4Ω/1.5W
Effective frequency range	140Hz ~20kHz
Volume	80±3dB (800,1000,1200,1500Hz) @1W/1m
THD	≤3%

Audio

Beamforming	Support
Background noise suppression	Max 18dB
Full-duplex communication	Support, interrupt momentarily
Echo cancellation	Support, ≥ 56 dB
AGC	Support, 4m radius range
Reverbration suppression	RT60<1s

General

Video Interface	USB2.0 Type-C
Cable Length	1.5m
Working Status Indicator	LED Yellow-Power on/ Operate-Blue/ Mute-Red
Power Supply	USB 5V
Color	Gray
Max. Input Current	500mA
Max. Power Consumption	2.5W
Dimension	109 mm (\varnothing) x 275 mm (H) (4.3"x10.8")
Net Weight	773g(1.7lb)
Box Dimension	144.5mmx125.5mmx334.5mm (5.7"x4.9"x13.2")
Box Weight (with 1 product)	1344.5g(2.96lb)
Protective Box Dimension	526mmx310mmx356mm (20.7"x12.2"x14")
Packaging Method	8 in 1
Operating Temperature	0° ~ +50° (0°F ~ +122°F)
Operating Humidity	20% ~ 80% (Noncondensing)
Continuous Operating Time	7*24h
Storage Temperature	-10° ~ +60° (14°F ~ +140°F)
Storage Humidity	5% ~ 95% (Noncondensing)

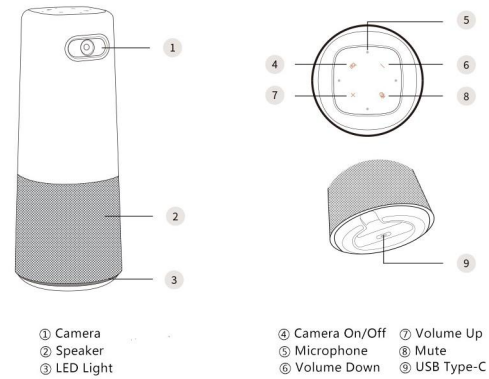
System Requirements

OS	Windows® 7 , Windows 8.1, Windows 10 or Higher macOS™ 10.10 or Higher
----	--

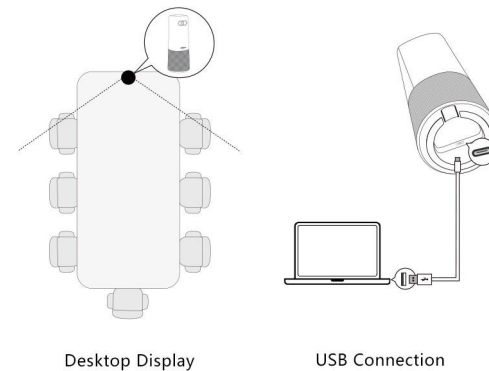
Certifications

Certifications	CE: EN 55032:2015+A11:2020;EN IEC61000-3-2:2019;EN 61000-3-3:2013+A1:2019 ;EN 55035:2017+A11:2020; EN 62368-1:2014+A11:2017(LVD) FCC: FCC CFR Title 47, Part 12, Subpart B ANSI C63.4-2014 UKCA: BS EN 55032:2015+A11:2020; BS EN IEC61000-3-2:2019; BS EN 61000-3-3:2013+A1:2019 ; BS EN 55035:2017+A11:2020; BS EN 62368-1:2014+A11:2017(LVD) IC: ICES-003 Issue 7
----------------	---

Structure



Installation & Connection



Dimensions (mm[inch])

