

Overview

HP Ultraslim Cable Lock Kit

Model

HP Ultraslim Cable Lock Kit

H4D73AA



HP Ultraslim Cable Lock Kit

Secure your HP Business Desktop PC quickly and easily with the HP Ultraslim Cable Lock Kit.

Key Benefits

- The slimmest lock available from HP, the HP Ultraslim Cable Lock keeps a low profile and is compatible with any HP PC with a standard security lock slot.
- A 5.9 ft (1.80 m) vinyl-coated, galvanized aircraft-grade steel cable loops around any secure object and then attaches to the desktop with a push-button locking mechanism and a unique key (including a spare key).
- Swivel and adjust the cable 360 degrees to wherever you need to tether your PC to a table, desk, or other device.

NOTE: HP Security Cable locks are designed, tested, and proven to be an economical and effective deterrent to help prevent opportunistic theft. While HP Security Cable locks help protect supported computer equipment from theft, they are not designed to provide impervious protection and should not be relied on as the sole security solution for your equipment. HP Security Cable locks are only one of several methods that should be employed as part of a complete security solution to help maximize theft protection.

Compatibility

The HP Ultraslim Cable Lock Kit is compatible with all computer equipment with an industry standard lock slot.

Spares Information

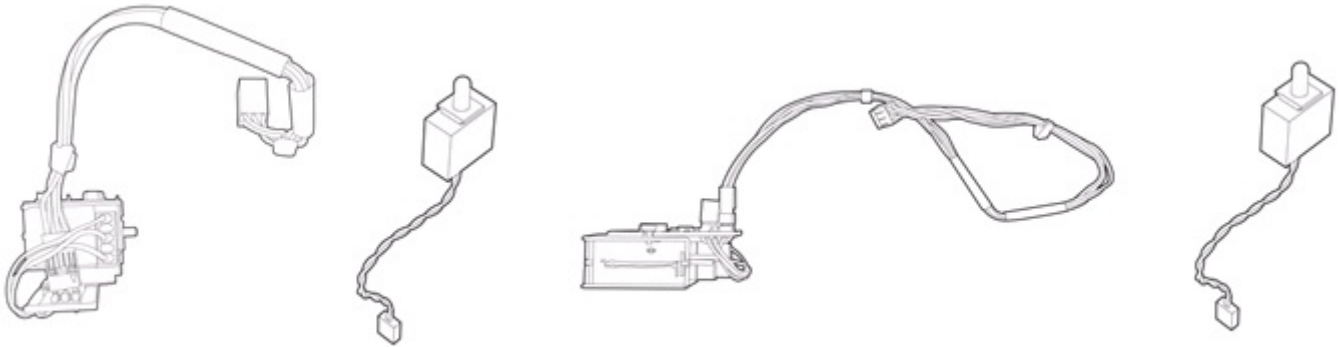
HP Ultraslim Keyed Cable Lock (H4D73AA)

703372-001

Overview

Solenoid Lock and Hood Sensor (2013)

Models	
HP Solenoid Lock and Hood (USDT/SFF) Sensor	E0X97AA
HP Solenoid Lock and Hood (TWR) Sensor	E0X96AA



HP 2009 (SFF) Solenoid Lock and Hood Sensor

HP (CMT) Solenoid Lock and Hood Sensor

Help protect your PC from unauthorized tampering or theft with a hood sensor and chassis cover lock. Integrated software alerts admins to tampering or removal, and allows you to activate and deactivate the lock from a central or remote location.¹

Key Benefits

- Help deter theft with a hardware cover lock that prevents access to the interior of the chassis.
- Manage the integrated software from a central or remote location¹, and get alerts to potential tampering of chassis removal.

¹ Network connection required, and sold separately.

Model	
HP Solenoid Lock and Hood (USDT/SFF) Sensor	E0X97AA

Overview

Compatibility

HP Solenoid Lock and Hood (USDT/SFF) Sensor (E0X97AA) is compatible with the HP ProDesk 600 G1 SFF; HP EliteDesk 800 G1 SFF, USDT.

NOTE: Please check this product's web page on [HP.com](#) for current compatibility information.

NOTE: Not all products available in all regions.

Spares information

Solenoid Lock assembly SFF (E0X97AA)	732772-001
Hood sensor module (E0X97AA)	638816-001

Model

HP Solenoid Lock and Hood (TWR) Sensor	E0X96AA
--	---------

Compatibility

HP Solenoid Lock and Hood (TWR) Sensor (E0X96AA) is compatible with the HP ProDesk 600 G1 TWR, HP EliteDesk 800 G1 TWR.

NOTE: Please check this product's web page on [HP.com](#) for current compatibility information.

NOTE: Not all products available in all regions.

Spares information

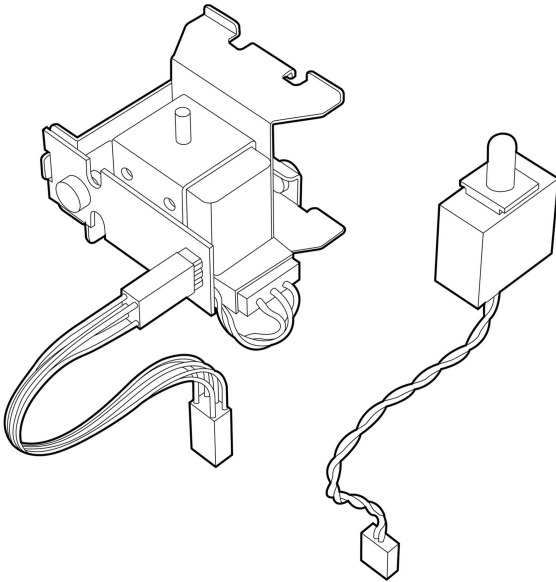
Solenoid Lock Assembly (E0X96AA)	641498-001
Hood sensor module (E0X96AA)	638816-001
Cable clip (E0X96AA)	733686-001

Solenoid Lock and Hood Sensor (2009)

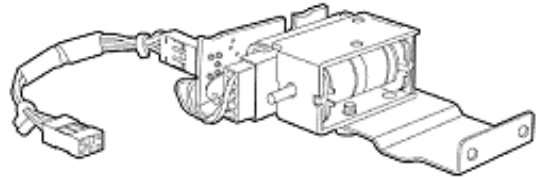
Models

HP (SFF) Solenoid Lock and Hood Sensor	BP428AA
HP (CMT) Solenoid Lock and Hood Sensor	DE618A

Overview



HP 2009 (SFF) Solenoid Lock and Hood Sensor



HP (CMT) Solenoid Lock and Hood Sensor

Protect your small form factor or convertible minitower business desktop from unauthorized tampering or theft by combining hardware and software security with the specially designed Smart Cover Lock and Hood Sensor.

The Smart Cover Lock and Hood Sensor combines hardware and software security to help protect your HP Business Desktop from unauthorized tampering or theft. The lock acts as both a hood sensor and a chassis cover lock. The accompanying software alerts administrators to tampering or removal, and allows you to activate and deactivate the lock via software from a central or even remote location.

Key Benefits

- Protect your desktop from unauthorized interference or theft
 - Combines hardware and software security for added protection
 - Acts as a hood sensor and chassis cover lock
 - Software alerts you to tampering or removal of desktop
-

Model

HP (SFF) Solenoid Lock and Hood Sensor

BP428AA

Overview

Compatibility

HP (SFF) Solenoid Lock and Hood Sensor (BP428AA) is compatible with the HP Compaq 6005 Pro SFF, HP Compaq 6200 Pro SFF, HP Compaq 6300 Pro SFF, HP Compaq 8200 Elite SFF, HP Compaq 8300 Elite SFF, HP rp5700 Retail System, and HP Z210 SFF Workstation.

NOTE: Please check this product's web page on [HP.com](#) for current compatibility information.

NOTE: Not all products available in all regions.

Spares information

HP (SFF) Smart Cover Lock and Hood Sensor (BP428AA)

586752-001

Model

HP (CMT) Solenoid Lock and Hood Sensor

DE618A

Compatibility

The HP (CMT) Solenoid Lock (DE618A) is compatible with the HP Compaq 6005 Pro MT, HP Compaq 6200 Pro MT, HP Compaq 6300 Pro MT, HP Compaq 8200 Elite CMT, HP Compaq 8200 Elite MT, HP Compaq 8300 Elite CMT, HP Compaq 8300 Elite MT, HP Compaq 6305 Pro MT, and the HP Z400 and HP Z210 CMT Workstations.

NOTE: Please check this product's web page on [HP.com](#) for current compatibility information.

NOTE: Not all products available in all regions.

Spares information

HP (CMT) Solenoid Lock and Hood Sensor (DE618A)

336442-001

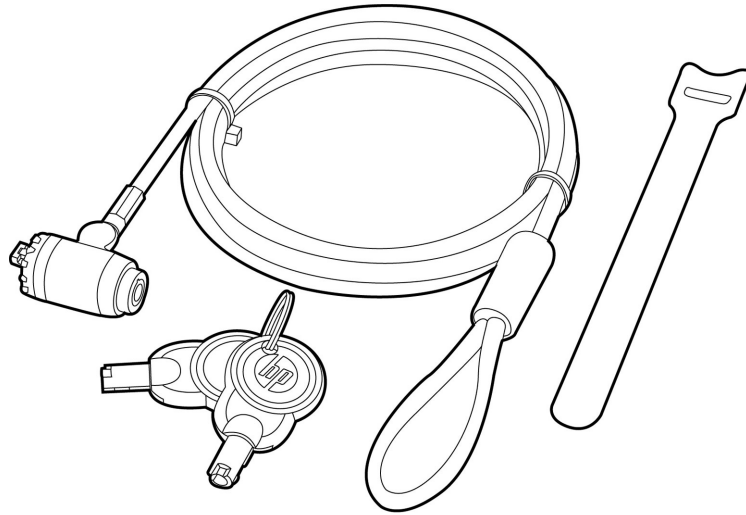
HP Keyed Cable Lock

Model

HP Keyed Cable Lock for Business Laptops and Desktops

BV411AA

Overview



HP Keyed Cable Lock for Business Laptops and Desktops

The HP Keyed Cable Lock is designed to be used with industry standard lock slots like the type found on a desktop PC, laptop, docking station, flat panel display, printer or projector. Secure your valuable IT hardware with this lock that consists of a 6.00' (1.83 m) vinyl-coated, galvanized aircraft-grade steel cable that loops around any secure object and then attaches to the computer or device you want to lock. The lock features a push-button locking mechanism and a unique key (including a spare key) to unlock the cable. A small Velcro strap is also included to help manage or adjust the length of the cable as you place and use it.

Key Benefits

- Use the HP Keyed Cable Lock with your desktop PC, laptop, or computing accessory
- Lock and unlock the locking mechanism with a key that is unique to the lock
- Swivel and adjust the cable 360 degrees to wherever you need to use it
- Store away the extra key - always have a spare

Compatibility

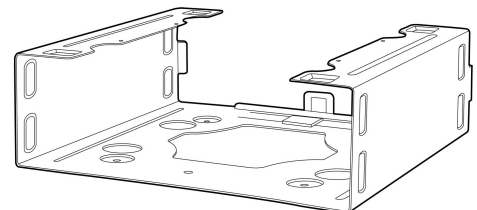
The HP Keyed Cable Lock is compatible with all computer equipment with an industry standard lock slot.

NOTE: Not all products available in all regions.

HP Wall Mount Security Sleeves

Physically mount and secure your 2013 and legacy HP Small Form Factor Business Desktop PC onto a wall or underneath a desk with the HP (2013) SFF Wall Mount/Security Sleeve.

The Wall Mount Security Sleeve is a specially designed bracket which allows your small form factor business desktop or HP Point of Sale System to be mounted on a wall or beneath the desk for enhanced security and convenience. In addition, the bracket helps to free up valuable space on your desktop.



Wall Mount Security Sleeves

Overview

Model

HP (2013) SFF Wall Mount/Security Sleeve
HP (2009) SFF Wall Mount/Security Sleeve
HP SFF Wall Mount/ Security Sleeve

F0K75AA
VN570AA
GF344AA

Key Benefits

- Mount your desktop on a wall or beneath your desk
- Enhances security and convenience
- Frees up valuable desktop space

Compatibility

The HP (2013) SFF Wall Mount/Security Sleeve is compatible with HP ProDesk 400 G1 SFF, HP Compaq 6300 Pro SFF, HP ProDesk 600 G1 SFF, HP Compaq Elite 8300 SFF, HP EliteDesk 800 G1 SFF, HP Compaq 6305 Pro SFF, HP rp5700 Retail System, HP rp5800 Retail System.

HP (2009) SFF Wall Mount/Security Sleeve is compatible with the HP Compaq 4000 Pro SFF, HP Compaq 6000 Pro SFF, HP Compaq 4300 Pro SFF, HP Compaq 6005 Pro SFF, HP Compaq 6200 Pro SFF, HP Compaq 6300 Pro SFF, HP Compaq 8200 Elite SFF, HP Compaq 8300 Elite SFF, HP Compaq 6305 Pro SFF, HP rp5700 Retail System, HP rp5800 Retail System, HP EliteDesk 800 G1 SFF, and HP ProDesk 600 G1 SFF.

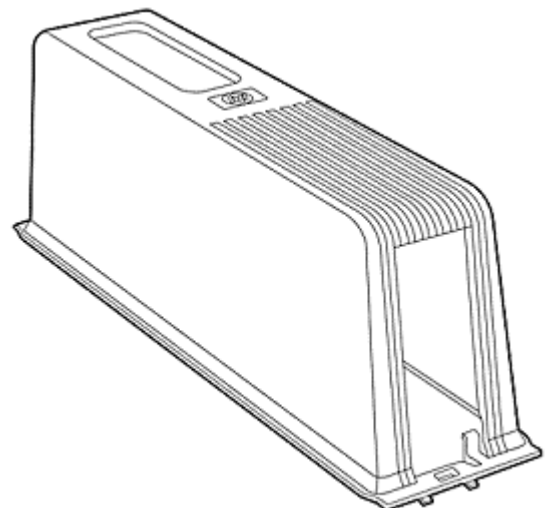
The HP SFF Wall Mount/Security Sleeve is compatible with the HP Compaq dc5800 Small Form Factor, HP Compaq dc5850 Small Form Factor, HP Compaq dc7700 Small Form Factor, HP Compaq dc7800 Small Form Factor, HP Compaq dc7900 Small Form Factor and the HP rp5700 Point of Sale Small Form Factor.

NOTE: Please check this product's web page on HP.com for current compatibility information.

NOTE: Not all products available in all regions.

HP Rear Port Controllers

Prevent access to ports at the back of your HP Compaq Business Desktop with a rear port controller cover.



Rear Port Controller Cover

Overview

Model

HP (USDT) Rear Port Controller Cover

GJ121AA

HP (Black) USDT Rear Port Controller Cover

VN571AA

Key Benefits

- Prevent access to rear ports
 - Enhances security and convenience
-

Compatibility

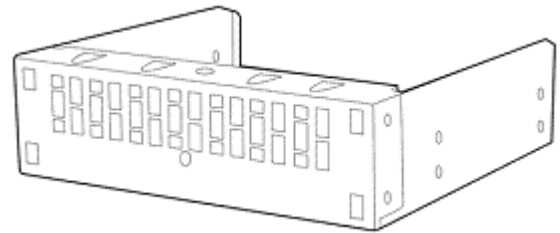
The HP (USDT) Rear Port Controller Cover is compatible with HP Compaq dc7800 and dc7900 Ultra-Slim Desktop.

The HP (Black) USDT Rear Port Controller Cover is compatible with the HP Compaq 6005 Pro USDT, HP Compaq 8200 Elite USDT, HP Compaq 8300 Elite USDT, and HP EliteDesk 800 G1 USDT.

NOTE: Please check [this product's web page on HP.com](#) for current compatibility information.

HP Chassis Security Kit

Prevent access to or removal of internal components like memory, hard drive, and power supply, particularly designed for the education market.



Chassis Security Kit

Model

HP Chassis Security Kit

AR639AA

Key Benefits

- Protect your investment and help keep the system up and running by:
 - Safeguarding the memory and hard drive with a metal bay filler
 - Securing the power supply with two screws
 - Preventing cable disconnection
 - Locking down the front bezel so that internal components cannot be removed
-

Compatibility

The HP Chassis Security Kit is compatible with the HP Compaq 4000 Pro SFF, HP Compaq 6000 Pro MT, HP Compaq 6000 Pro SFF, HP Compaq 4300 Pro SFF, HP Compaq 6005 Pro MT, HP Compaq 6005 Pro SFF, HP Compaq 6200 Pro MT, HP Compaq 6200 Pro SFF, HP Compaq 6300 Pro MT, HP Compaq 6300 Pro SFF, HP Compaq 8200 Elite SFF, HP Compaq 8200 Elite CMT, HP Compaq 8200 Elite MT, HP Compaq 8300 Elite CMT, HP Compaq 8300 Elite MT, HP Compaq 8300 Elite SFF, HP Compaq 6305 Pro MT, HP Compaq 6305 Pro SFF, HP rp3000 Point of Sale System, HP rp5700 Retail System, HP EliteDesk 800 G1 TWR, and HP ProDesk 600 G1 TWR.

Overview

NOTE: Please check this product's web page on HP.com for current compatibility information.

Dimensions		
	HP UltralSlim Cable Lock	5.9 ft (1.8 m) (length) 0.17 in (.44 cm) (diameter)
	HP Solenoid Lock and Hood (SFF/USDT) Sensor	2.5 x 1.8 x 1.0 in (6.35 x 4.6 x 2.5 cm)
	HP Solenoid Lock and Hood (TWR) Sensor	2.25 x 9.5 x 7.5 in (5.71 x 24.1 x 19.1 cm)
	HP 2009 (SFF) Smart Cover Lock and Hood Sensor – BP428AA	2.5 x 1.8 x 1.0 in (6.35 x 4.6 x 2.5 cm)
	HP (CMT) Solenoid Lock – DE618A	2.25 x 9.5 x 7.5 in (5.71 x 24.1 x 19.1 cm)
	HP Keyed Cable Lock – BV411AA (Cable Length and Diameter)	6.00 ft (1.83 m) (length) 0.4 in (1.02 cm) (diameter)
	HP SFF Wall Mount/ Security Sleeve – GF344AA	13.5 x 4.4 x 14.4 in (34.3 x 11.2 x 36.6 cm)
	HP (2009) SFF Wall Mount/Security Sleeve – VN570AA	13.5 x 4.4 x 14.4 in (34.3 x 11.2 x 36.6 cm)
	HP (USDT) Rear Port Controller Cover – GJ121AA	2.6 x 3.7 x 9.9 in (6.6 x 9.4 x 25.1 cm)
	HP (Black) USDT Rear Port Controller Cover – VN571AA	2.6 x 3.7 x 9.9 in (6.6 x 9.4 x 25.1 cm)
	HP Chassis Security Kit – AR639AA	1.6 x 5.7 x 5.4 (4.2 x 14.6 x 13.7 cm)

Weight		
	HP UltralSlim Cable Lock	4.2 lbs (0.12 kg)
	HP Solenoid Lock and Hood (SFF/USDT) Sensor	0.15 lbs (68 g)
	HP Solenoid Lock and Hood (TWR) Sensor	0.65 lbs (295 g)
	HP 2009 (SFF) Smart Cover Lock and Hood Sensor – BP428AA	0.15 lbs (68 g)
	HP (CMT) Solenoid Lock – DE618A	0.65 lbs (295 g)
	HP Keyed Cable Lock – BV411AA	0.27 lbs (122.47 g)
	HP SFF Wall Mount/ Security Sleeve – GF344AA	5.9 lbs (2.68 kg)
	HP (2009) SFF Wall Mount/Security Sleeve – VN570AA	5.9 lbs (2.68 kg)
	HP (USDT) Rear Port Controller Cover – GJ121AA	0.4 lbs (181 g)
	HP (Black) USDT Rear Port Controller Cover – VN571AA	0.4 lbs (181 g)
	HP Chassis Security Kit – AR639AA	0.55 lbs (249.5 g)

Overview

Option kit contents	HP UltraSlim Cable Lock	HP UltraSlim Keyed Cable Lock, 2 keys, documentation
	HP Solenoid Lock and Hood (SFF/USDT) Sensor	Solenoid Lock, documentation
	HP Solenoid Lock and Hood (TWR) Sensor	Solenoid Lock, documentation
	HP 2009 (SFF) Smart Cover Lock and Hood Sensor – BP428AA	Solenoid Lock, documentation
	HP (CMT) Solenoid Lock – DE618A	Solenoid Lock, documentation
	HP Keyed Cable Lock - BV411AA	HP Keyed Cable Lock, 2 keys, documentation
	HP SFF Wall Mount/ Security Sleeve – GF344AA	Wall Mount, screws, documentation
	HP (2009) SFF Wall Mount/Security Sleeve – VN570AA	Wall Mount, screws, documentation
	HP (USDT) Rear Port Controller Cover – GJ121AA	Rear Port Controller Cover, documentation
	HP (Black) USDT Rear Port Controller Cover – VN571AA	Rear Port Controller Cover, documentation
	HP Chassis Security Kit – AR639AA	Bay filler, screws, documentation

© Copyright 2013 Hewlett-Packard Development Company, L.P. The information contained herein is subject to change without notice. The only warranties for HP products and services are set forth in the express warranty statements accompanying such products and services. Nothing herein should be construed as constituting an additional warranty. HP shall not be liable for technical or editorial errors or omissions contained herein.

Microsoft and Windows are US registered trademarks of Microsoft Corporation.