

# *the Smoking Gun® Pro*

Instruction Book - CSM700



**Breville®** | PolyScience®



## Contents

- 2 Breville | PolyScience  
Recommends Safety First
- 6 Components
- 7 Assembly
- 8 Functions
- 9 Tips
- 10 Care & Cleaning
- 11 Troubleshooting

## BREVILLE| POLYSCIENCE RECOMMENDS SAFETY FIRST

At Breville | PolyScience we are very safety conscious. We design and manufacture commercial products with the safety of you, our valued customer, foremost in mind. In addition we ask that you exercise a degree of care and adhere to the following precautions.

## IMPORTANT SAFEGUARDS

### READ ALL INSTRUCTIONS BEFORE USE AND SAVE FOR FUTURE REFERENCE

- Remove any packaging material and promotional labels before using the Smoking Gun<sup>®</sup> Pro for the first time.
- Do not place the Smoking Gun<sup>®</sup> Pro near the edge of a table, counter or bench top during operation. Ensure that the surface is level, clean and free of water.
- Do not place any part of the Smoking Gun<sup>®</sup> Pro in a gas, electric or microwave oven or on a hot gas or electric burner.
- Keep Smoking Gun<sup>®</sup> Pro clear of walls, curtains and other heat or steam sensitive materials. Minimum 8 inch distance.

- Always ensure the Smoking Gun<sup>®</sup> Pro is properly assembled before use. Follow the instructions provided in this book.
- Do not leave the product unattended when in use.
- Do not touch hot surfaces.
- Do not use harsh abrasives or caustic cleaners when cleaning this product.
- Keep the product clean. Follow the care and cleaning instructions provided in this book.
- This product is not intended for use by persons (including children) with reduced physical, sensory or mental capabilities, or lack of experience and knowledge, unless they have been given supervision or instruction concerning use of the product by a person responsible for their safety.
- This product is intended for commercial and household use. Do not use this product for anything other than its intended use. Do not use in moving vehicles or boats.
- It is recommended to regularly inspect the product.
- Any maintenance other than cleaning should be performed at an authorized Breville|PolyScience Service Center.
- Do not attempt to burn anything other than small wood chips, wood sawdust, dried herbs, cooking spices, or tea leaves, or any other food products safe for consumption.
- Do not leave the Smoking Gun<sup>®</sup> Pro unattended.

- Use only in a well ventilated area; the burning of wood chips/ dust, dried herbs, cooking spices, and/or tea leaves may result in the emission of combustion by-products which are known to cause cancer, birth defects, and/or reproductive harm.
- The metal barrel and burn chamber of the Smoking Gun<sup>®</sup> Pro will become very hot when in use. Allow device to cool completely before touching barrel or burn chamber, cleaning, or storing.
- Always use the Smoking Gun<sup>®</sup> Pro in an upright position. Heated smoking materials may fall out of the burn chamber if tipped, resulting in a fire hazard.
- Always empty ash and burnt material into a non-flammable receptacle.
- Exercise proper care when igniting the smoking materials; improper ignition of flammable materials may result in explosion or fire hazard.
- Always use a match or lighter to ignite the materials in the Smoking Gun<sup>®</sup> Pro; DO NOT USE a kitchen torch or other heat device as the excessive heat may damage the unit.
- Do not point the Smoking Gun<sup>®</sup> Pro at any person or flammable object.
- Avoid using the Smoking Gun<sup>®</sup> Pro in areas where smoke may activate smoke alarms or fire suppression systems.

- Never operate the Smoking Gun® Pro without the stainless steel mesh filter in place; burning/glowing embers may enter the barrel damaging the unit or be ejected through the nozzle, creating a fire or burn hazard.
- Removal or disassembly of any parts of the Smoking Gun® Pro other than the burn chamber; stainless steel mesh filter; barrel, fan, O-ring, battery compartment cover, or batteries may result in irreparable damage and void the warranty.

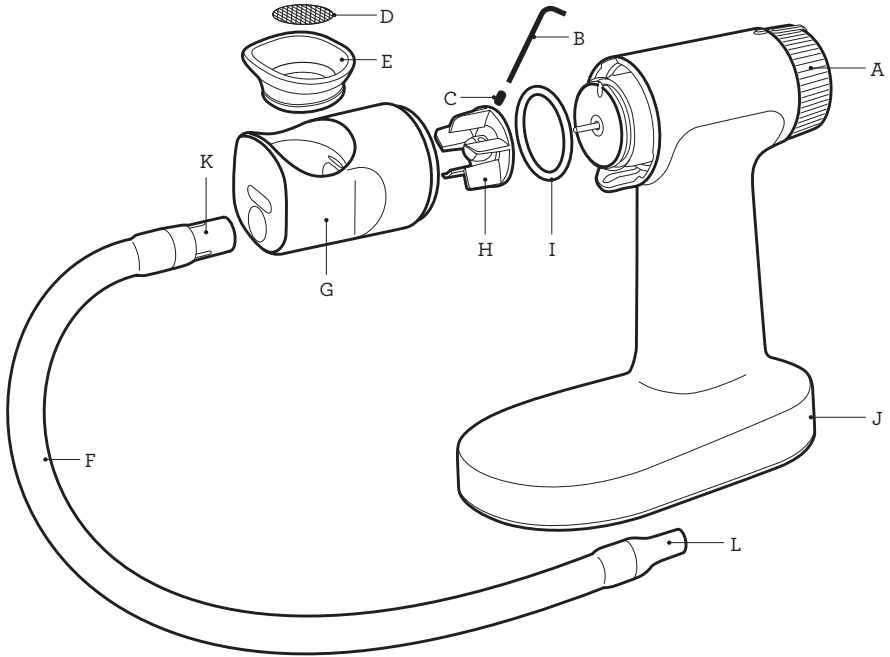
**CALIFORNIA  
PROPOSITION 65:**

*(Applicable to California residents only).*

Combustion of wood or charcoal products may contain chemicals known to the State of California to cause cancer, birth defects and/or reproductive harm. This warning is required and issued pursuant to California Health & Safety Code Section 25249.6.



## Components



- A. Variable speed & on/off dial  
Variable speed for ignition and slow burn.
- B. Hex key
- C. Set screw
- D. Removable mesh filter  
Push out with finger to replace.
- E. Removable burn chamber  
Easy to tap out ash at the end of burn cycle.
- F. Silicone hose

- G. Barrel
- H. Removable metal fan
- I. Removable O-ring
- J. Robust housing  
Integrated base provides stable secure platform.
- K. Connection Nozzle
- L. Smoking nozzle



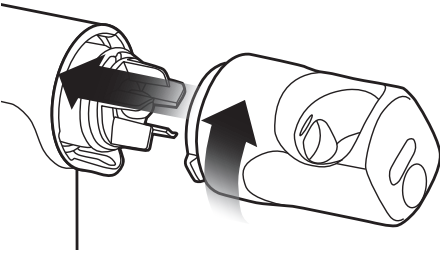
## Assembly



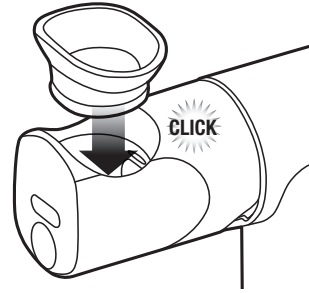
### WARNING

- Remove batteries before removing barrel.
- Never operate unit when barrel is removed.
- Keep fan away from face and avoid contact with fingers.

1. Align the two lugs on the rear face of the barrel with the two recesses on the inner edge of the front face of the housing and push together, rotating clockwise until small click and the large hole in the barrel is pointing directly upwards.



2. Ensure that a mesh filter is in the burn chamber. If no mesh filter is present, insert a mesh screen into the top of the burn chamber and press down with a finger to seat into the bottom of the burn chamber.
3. Ensure the spring is seated in the groove on the outer cylindrical face of the burn chamber.
4. Assemble the burn chamber into the open recess in the top of the barrel on the main unit. Push down until the spring provides a small click or the burn chamber is seated low in the barrel with no gaps around the perimeter.



5. Retrieve the silicon hose with 2 rigid fittings, insert the connection nozzle into the circular hole in the front face and press firmly to secure the hose.

### BATTERIES

Use 4 x AA (1.5V alkaline) batteries only.  
(No rechargeable batteries)

1. Remove battery cover from underside of unit by sliding clip towards rear and rotating outwards.
2. Insert batteries into cavity with orientation to match the outer face of the battery cover.
3. Replace battery cover and press to snap into place.



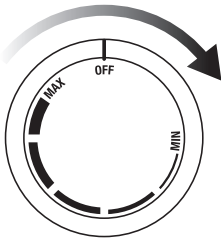
## Functions

### BEFORE FIRST USE

Remove any packaging material and promotional labels from the Smoking Gun® Pro.

Wipe the burn chamber, barrel, fan and mesh filter with a damp cloth.

### CONTROLS



- The fan is operated by rotating the speed dial clockwise on the rear of the unit.
- The initial click indicates maximum speed. The word MAX will be at the approximate top of the dial.
- As the dial is rotated further clockwise, the speed of the fan is gradually reduced.
- Lowest speed is when the word MIN is at the approximate top of the dial until the dial cannot rotate further.
- Use MAX speed for greater airflow to assist in initially igniting wood chips.
- Use lower speed to smolder the wood chips and generate smoke.

### OPERATION

1. Place a small amount of wood chips (or desired smoking materials) into the burn chamber. Easiest ignition will be possible when the mesh filter is covered.
2. Turn the dial on the Smoking Gun® Pro to the MAX position



### NOTE

Do not overfill the burn chamber. The wood chips should just cover the mesh filter area with a thin layer.

3. Use a handheld lighter or match to apply a flame to the top surface of the wood chips. Move the flame around to ignite the entire exposed surface. For best results make sure the burning area is evenly distributed or centered.



### WARNING

- Do not use a kitchen torch or butane torch style lighter.
  - Maintain the presence of the lighter for a period of time sufficient to start ignition only. Excessive heat may cause damage to the unit.
4. Once the smoke is seen exiting the end of the hose, rotate the switch further clockwise to reduce the airflow and slow the burn rate of the wood chips. Allow the wood chips to smolder and direct the smoke to where required (see Tips page 9).
  5. When sufficient smoke has been generated or wood chips are extinguished, rotate the speed dial counter-clockwise until OFF is positioned at the top of the unit and the fan stops.
  6. Allow the unit to cool completely after burning has completed.



### WARNING

The burn chamber is very hot after use. Exercise caution.

7. When cooled completely the burn chamber can be removed by twisting it free of the barrel.



### NOTE

- Invert the burn chamber and tap on a solid surface to remove any remaining wood chips or ash.
- The barrel, fan and O-ring can also be removed to clean these items individually.
- Wipe the cylindrical face and O-ring seat on the front of the housing to remove any residue from the smoke.
- It is recommended to clean the burn chamber prior to re-assembly.





## Tips

- To provide smoke flavor and aroma for meats, fish, fruits, or vegetables after cooking, simply place the food in a covered casserole, stockpot, Dutch oven, or other covered dish/pan and inject smoke under the lid. See below table for smoking techniques.
- Use the Smoking Gun® Pro to infuse delicate foods, such as cheeses and vegetables, with smoky flavor and aroma without changing their texture.
- One to three minutes under smoke is generally all that is needed to infuse foods with a smoky flavor and aroma. When using the Smoking Gun® Pro with a covered receptacle, simply inject the smoke under the lid and let stand for a few minutes.
- Don't place hose directly in the food. Place it just slightly above.
- Continuous smoking with the Smoking Gun® Pro is NOT required.
- Ensure the unit has had sufficient time to cool before reloading and operating additional burn cycles if required.
- Hickory chips impart a pungent, smoky bacon-like flavor that goes particularly well with most meats, especially pork (ham, ribs, etc.) and beef. They are good for most vegetables because they impart a strong earthy flavor.
- Applewood chips work well with poultry, game birds and pork. These woods provide a slightly sweet but denser, fruity smoke flavor.
- Use wood chips that have been specifically prepared for the purpose of smoking - these timbers will have been dried to the correct level and will produce less resinous materials in the smoke output from the unit.

## TECHNIQUES

### CONTAINER OR BAG

1. When smoking cooked foods, apply smoke after cooking.
2. Place food in a container, cover with plastic wrap, insert tube and fill with smoke. Alternatively, place food in sealable bag, insert tube and fill bag with smoke.
3. Let food absorb smoke for 1 minute and repeat 2-3 times for a stronger smoke flavor.

### TABLESIDE

1. Plate food for serving.
2. Hold drinking glass or glass cloche/dome upside down and fill with smoke.
3. Place glass over food and let smoke absorb while serving.
4. Lift glass at table in front of your guests.

### STAND MIXER

1. Whip or beat food in a stand mixer.
2. Spread food evenly on mixing bowl walls for maximum surface area.
3. Cover mixing bowl with plastic wrap, insert tube and fill with smoke.
4. Let food absorb smoke for 1 minute and repeat 2-3 times for a stronger smoke flavor.

### BLENDER

1. Fill blender with liquid to be smoked (sauce, soup, marinade, etc.)
2. Insert tube into hole in blender lid.
3. Blow smoke into blender, replace cap and blend. Repeat 2-3 times for a stronger smoke flavor.

### SHAKER

1. Prepare beverage.
2. Fill shaker with smoke, remove tube, cover with lid and shake.

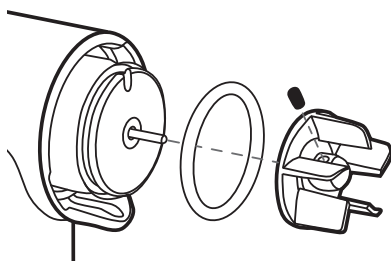


## Care & Cleaning

1. Before cleaning, make sure the unit is completely cooled down and power dial is positioned to off position. Remove the batteries.
2. Remove the burn chamber from the barrel. Invert the burn chamber and tap on a solid surface to remove any remaining wood chips or ash. The burn chamber may be cleaned by hand with warm soapy water or by placing in a dishwasher.
3. Twist the barrel counter-clockwise and pull forward to remove. The barrel may be cleaned by hand in warm soapy water or by placing in the dishwasher.
4. Mesh filter can be cleaned with warm soapy water and small brush as required.
5. Clean hose and tube ends in warm soapy water as required.
6. Use damp cloth to clean the main unit. Do not immerse in water.
7. The fan can be removed by loosening the set screw (rotating counter-clockwise) using the hex key provided. Once loose the fan can be slid forward to remove from the motor shaft. The fan may be cleaned by hand in warm soapy water. It is not suitable for the dishwasher. Ensure it is completely dry before re-assembly.
8. The O-ring can be removed by hooking under it (through the small slot above the fan) using the hex key and levering it off carefully.

### Assembling the Fan

1. The red O-ring should be assembled into the recess on the leading edge of the cylindrical section protruding from the front of the main housing. Ensure it is seated within the groove without any twisting.
2. Assemble a small set screw into the small hole in the side of the fan.



3. Slide the fan onto the motor shaft protruding from the front of the above cylinder until an approximate gap of 1mm is behind it. Use the hex key to tighten the set screw, applying a slight force (do not over-tighten).



### NOTE

- Do not use unit without the barrel, burn chamber, fan and O-ring present.
- Do not use unit if there is no mesh filter in the burn chamber.
- Do not use to bubble smoke through liquid - this is not the intended use (see techniques section on page 9).
- Hose can be stored in loop to contain smell.
- Remove the batteries if the device is not to be used for a long period of time.
- Allow the unit to cool completely between consecutive burns.
- Burn chamber, spring, barrel and O-ring can be put in the dishwasher.
- If the O-ring is very sticky and makes the barrel hard to assemble, a small amount of oil can be placed on the outer faces to make it lubricated. Do not operate the unit without the barrel in place.
- Replace mesh filter if it becomes clogged.

**Mesh Filter specification:**

No.20 US Sieve Size [Ø25.4mm (1 inch), stainless steel 304].

Visit [Breville.com](http://Breville.com) and [polyscienceculinary.com](http://polyscienceculinary.com) to order more mesh filters.

**Set Screw specification:** M3 x 6mm SS303

**Hex Key specification:** 1.5mm AF



**WARNING**

- Do not immerse the housing in liquid.
- Do not operate the unit without the barrel in place.
- Resin may stain hands, handle parts with caution.

Visit [Breville.com](http://Breville.com) and [polyscienceculinary.com](http://polyscienceculinary.com) to order more wood chips and more mesh filters.



## Troubleshooting

### POSSIBLE PROBLEM EASY SOLUTION

<b>Cannot attach fan.</b>	<ul style="list-style-type: none"> <li>• Back out the small set screw to ensure it is not blocking the shaft hole.</li> <li>• Ensure the motor shaft hole in the fan is not blocked.</li> </ul>
<b>Fan not starting.</b>	<ul style="list-style-type: none"> <li>• Check orientation of batteries.</li> <li>• Replace batteries.</li> <li>• Ensure the fan is assembled correctly with an approximate 1mm gap behind the fan. See if it can rotate when the barrel is in place by poking it with toothpick (or similar).</li> </ul>
<b>Cannot attach barrel.</b>	<ul style="list-style-type: none"> <li>• Ensure orientation is correct - large hole in the barrel should be facing upwards to the side of the center line of the unit when the bayonet lugs are initially engaged.</li> <li>• Ensure the fan is in the correct position - it should have a small gap (about 1mm) behind.</li> <li>• If the barrel is hard to rotate - add a small amount of food safe oil to the surface of the O-ring.</li> </ul>
<b>No smoke generated.</b>	<ul style="list-style-type: none"> <li>• Ensure mesh filter is not blocked.</li> <li>• Ensure the hose is not blocked or kinked.</li> <li>• Ensure the fan starts when the switch is rotated between MAX and MIN.</li> <li>• When using a closed container ensure there is an outlet for the air to escape.</li> <li>• Ensure wood chips are dry and small.</li> <li>• Increase fan speed to MAX.</li> </ul>
<b>Not enough smoke.</b>	<ul style="list-style-type: none"> <li>• Turn fan to MAX to increase burn rate.</li> </ul>
<b>Smoke is leaking around the barrel.</b>	<ul style="list-style-type: none"> <li>• Ensure the O-ring is in the correct position.</li> <li>• Ensure the O-ring is free of any damage.</li> </ul>

# *the Smoking Gun® Pro*

Manuel d'instructions - CSM700



**Breville®** | PolyScience®



## Table des matières

- 13 Breville | PolyScience vous recommande la sécurité avant tout
- 17 Composants
- 18 Assemblage
- 19 Fonctions
- 20 Trucs
- 21 Entretien & nettoyage
- 22 Guide de dépannage

# BREVILLE| POLYSCIENCE VOUS RECOMMANDE LA SÉCURITÉ AVANT TOUT

Chez Breville|PolyScience, la sécurité occupe une place de choix. Nous concevons et fabriquons des produits de consommation sans jamais perdre de vue la sécurité de notre précieuse clientèle. De plus, nous vous demandons d'être très vigilant lorsque vous utilisez un appareil électrique et de respecter les mesures de sécurité décrites ci-dessous.

## IMPORTANTES MESURES DE SÉCURITÉ

### LISEZ TOUTES LES INSTRUCTIONS AVANT USAGE ET CONSERVEZ- LES À TITRE DE RÉFÉRENCE.

- Retirez tout matériel d'emballage et étiquettes promotionnelles avant d'utiliser le Smoking Gun® Pro pour la première fois.
- Ne placez pas le Smoking Gun® Pro sur le bord d'une table ou d'un comptoir lorsqu'il est en marche. Assurez-vous que la surface est de niveau, propre et sèche.
- Ne placez aucune pièce du Smoking Gun® Pro dans un four à gaz, électrique ou micro-ondes ou sur un brûleur à gaz ou électrique.

- Gardez le Smoking Gun® Pro loin des murs, rideaux ou autres matériaux sensibles à la vapeur ou à la chaleur. Un minimum de 20 cm (8 po) est requis.
- Assurez-vous toujours de bien assembler le Smoking Gun® Pro avant de l'utiliser. Suivez les consignes fournies dans le manuel d'instructions.
- Ne laissez pas l'appareil sans surveillance lorsqu'il est en marche.
- Ne touchez pas les surfaces chaudes.
- Ne nettoyez pas l'appareil avec des produits abrasifs ou caustiques.
- Gardez l'appareil propre. Suivez les consignes d'entretien et nettoyage fournies dans ce manuel.
- Ce produit ne doit pas être utilisé par des personnes, incluant les enfants, avec capacités physiques, sensorielles ou mentales réduites, ou manque d'expérience et de connaissances, à moins d'avoir été conseillés et initiés à l'usage de l'appareil par une personne responsable de leur sécurité.
- Ce produit est conçu pour un usage domestique seulement. Ne l'utilisez pas à d'autres fins que celles prévues, et ne l'utilisez pas dans un véhicule ou un bateau en mouvement.
- Il est recommandé de vérifier régulièrement l'appareil.
- Tout entretien autre que le nettoyage doit se faire dans un centre de service autorisé Breville|PolyScience.

- Ne tentez d'allumer aucune autre substance que de petits copeaux ou sciures de bois, herbes séchées, épices ou feuilles de thé dans la chambre à combustion.
- Ne laissez pas le Smoking Gun<sup>®</sup> Pro sans surveillance.
- Utilisez l'appareil uniquement dans un endroit bien aéré; le fait d'allumer des copeaux/ sciures de bois, herbes séchées, épices et/ ou feuilles de thé peut entraîner l'émission de sous-produits de combustion connus comme pouvant causer le cancer, des malformations congénitales et/ou des problèmes de reproduction.
- Le baril métallique et la chambre à combustion du Smoking Gun<sup>®</sup> Pro deviennent très chauds lors de l'utilisation. Laissez l'appareil refroidir complètement avant de toucher le baril ou la chambre à combustion, ou avant le nettoyage et le rangement.
- Utilisez toujours le Smoking Gun<sup>®</sup> Pro en position verticale. Certains débris calcinés peuvent s'échapper de la chambre à combustion, si l'appareil est penché, causant un risque d'incendie.
- Transvidez toujours la cendre et les débris calcinés dans un récipient non inflammable.
- Soyez très prudent lorsque vous allumez les matériaux à fumer; un mauvais allumage peut causer un risque d'explosion ou d'incendie.

- Utilisez toujours une allumette ou un briquet pour allumer les matériaux dans le Smoking Gun<sup>®</sup> Pro; N'UTILISEZ PAS de torche de cuisine ou autre dispositif d'allumage, car la chaleur excessive peut endommager l'appareil.
- Ne pointez pas le Smoking Gun<sup>®</sup> Pro en direction d'une personne ou d'un objet inflammable.
- Évitez d'utiliser le Smoking Gun<sup>®</sup> Pro dans des endroits où la fumée pourrait activer un détecteur de fumée ou un système d'extinction d'incendie.
- N'utilisez jamais le Smoking Gun<sup>®</sup> Pro sans le filtre à mailles en acier inoxydable en place, car des braises vives peuvent pénétrer dans le boîtier et endommager l'appareil, ou être éjectées par le bec, causant un risque d'incendie ou de brûlure.

- Le fait de retirer ou désassembler les pièces du Smoking Gun<sup>®</sup> Pro autres que la chambre à combustion, le filtre à mailles en acier inoxydable, le couvercle des piles ou les piles peut causer des dommages irréparables et annuler la garantie.

#### PROPOSITION 65 DE LA CALIFORNIE :

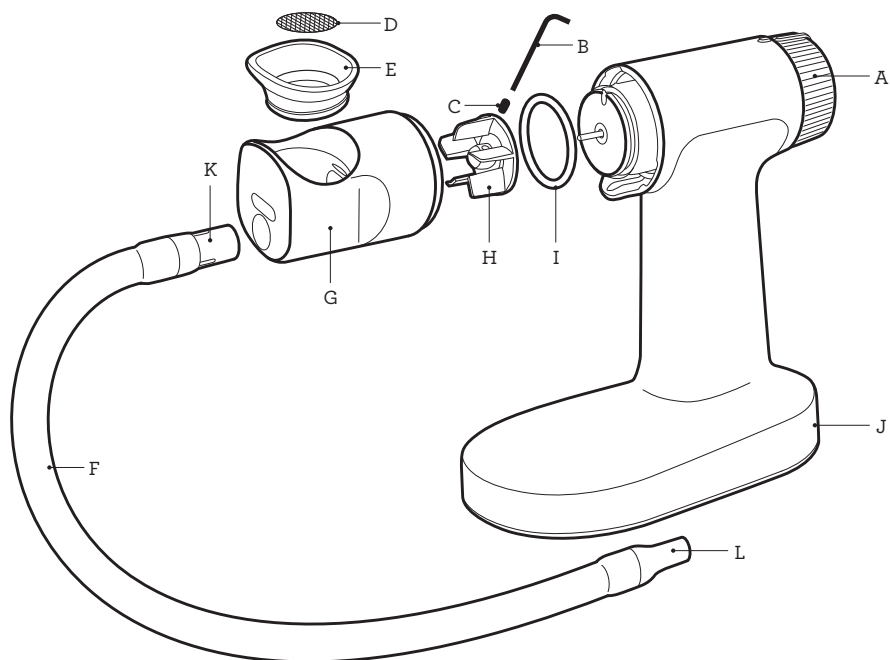
*(Applicable aux résidents de la Californie seulement).*

La combustion du bois ou du charbon peut contenir des produits chimiques connus de l'État de la Californie comme pouvant causer le cancer, des malformations congénitales ou autres problèmes de reproduction. Cet avertissement est requis et émis en vertu de la section 25249.6. du Code de Santé & Sécurité de la Californie.





## Composants



- A. Interrupteur & cadran à vitesse variable  
Vitesse variable pour démarrer et fumer lentement.
- B. Clé hexagonale
- C. Vis de réglage
- D. Filtre à mailles amovible  
Une pression du doigt le remet en place.
- E. Chambre à combustion amovible  
Pour retrait facile de la cendre à la fin du cycle de fumage.
- F. Boyau en silicone
- G. Baril
- H. Ventilateur métallique amovible
- I. Joint torique amovible
- J. Boîtier robuste  
Base intégrée pour plateforme stable et sécuritaire.
- K. Embout de raccordement
- L. Bec de fumage

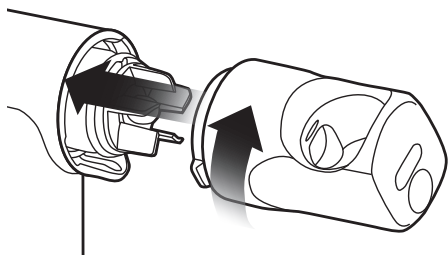


## Assemblage

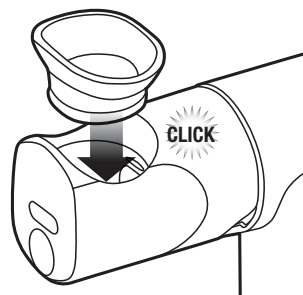


### AVERTISSEMENT

- Retirez les piles avant d'enlever le baril.
  - Ne faites jamais fonctionner l'appareil si le baril a été retiré.
  - Gardez la figure éloignée du ventilateur et évitez d'y toucher avec les doigts.
1. Alignez les deux ergots sur la face arrière du baril avec les deux alvéoles sur le bord interne de la face avant du boîtier et poussez en tournant en sens horaire jusqu'à ce qu'un déclic se fasse entendre et que la cavité du baril soit orientée vers le haut.



2. Assurez-vous que le filtre à mailles est présent dans la chambre à combustion. Dans le cas contraire, placez un filtre à mailles sur le dessus de la chambre à combustion et pressez pour qu'il soit bien assis au fond de la chambre à combustion.
3. Assurez-vous que le ressort est bien fixé dans l'encoche sur la face cylindrique externe de la chambre à combustion.
4. Assemblez la chambre à combustion dans la cavité supérieure du baril de l'appareil. Poussez vers le bas jusqu'à ce qu'un déclic se fasse entendre ou que la chambre à combustion soit bien assise au fond du baril, sans espace autour du périmètre.



5. Récupérez le boyau de silicone avec les 2 raccords rigides, insérez l'embout de raccordement dans l'orifice sur la face avant du baril et pressez fermement pour bien fixer le boyau.

### PILES

Utilisez 4 piles AA (1,5V alcalines) seulement. (Aucune pile rechargeable)

1. Retirez le couvercle des piles logé sous l'appareil en le glissant vers l'arrière et le faisant tourner vers l'extérieur.
2. Insérez les piles dans la cavité en les orientant vers le côté externe du couvercle.
3. Remplacez le couvercle des piles et poussez-le pour bien le fixer.



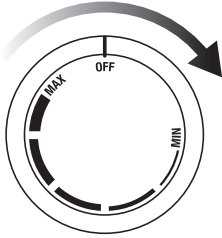
## Fonctions

### AVANT LA PREMIÈRE UTILISATION

Retirez tout matériel d'emballage et étiquettes promotionnelles du Smoking Gun® Pro.

Essayez la chambre à combustion, le baril, le ventilateur et le filtre à mailles à l'aide d'un chiffon humide.

## CADRAN DE COMMANDE



- Le ventilateur est activé en tournant en sens horaire le cadran de vitesse situé à l'arrière de l'appareil.
- Le premier déclic indique la vitesse maximale. Le mot MAX est sur le haut du cadran.
- La vitesse du ventilateur diminue graduellement à mesure que le cadran est tourné vers la droite.
- La plus basse vitesse est atteinte lorsque le mot MIN est sur le haut du cadran et que celui-ci ne peut plus tourner.
- Utilisez la vitesse MAX pour avoir suffisamment d'air pour allumer les copeaux de bois.
- Utilisez une vitesse plus basse pour laisser les copeaux couvrir sous la cendre et générer de la fumée.

## FONCTIONNEMENT

1. Insérez une petite quantité de copeaux de bois (ou autre matériau à fumer) dans la chambre à combustion. L'allumage sera plus facile si le filtre à mailles est recouvert de copeaux.
2. Tournez le cadran de vitesse à la position MAX.



### NOTE

Ne surchargez pas la chambre à combustion. Les copeaux de bois doivent à peine recouvrir le filtre à mailles d'une mince couche.

3. Utilisez un briquet à main ou une allumette pour allumer les copeaux de bois. Faites tourner la flamme pour qu'elle se propage sur toute la surface des copeaux. Pour de meilleurs résultats, assurez-vous que la flamme est distribuée uniformément ou bien centrée.



### AVERTISSEMENT

- N'utilisez pas de torche de cuisine ou de briquet au butane.
  - Maintenez la flamme du briquet le temps qu'il faut pour démarrer l'allumage, mais sans plus. Une chaleur excessive peut endommager l'appareil.
4. Dès que vous verrez la flamme sortir du boyau, tournez le cadran de vitesse en sens horaire pour réduire le jet d'air et ralentir le débit de fumée. Laissez les copeaux de bois couvrir sous la cendre, puis dirigez la flamme là où elle est requise (voir Trucs en page 20).
  5. Lorsqu'une quantité suffisante de fumée aura été générée ou que les copeaux seront éteints, tournez le cadran en sens antihoraire jusqu'à ce que le mot OFF (arrêt) soit sur le haut du cadran et que le ventilateur soit arrêté.
  6. Laissez l'appareil refroidir complètement, une fois le fumage terminé.



### AVERTISSEMENT

La chambre à combustion est très chaude après usage. Manipulez-la avec précaution.

7. Quand l'appareil sera refroidi, la chambre à combustion pourra être retirée en la soulevant hors du baril.



### NOTE

- Tournez la chambre à combustion à l'envers et tapotez-la sur une surface solide pour en retirer les résidus de copeaux de bois ou de cendre.
- Le baril, le ventilateur et le joint torique peuvent être retirés et nettoyés individuellement.
- Essuyez la face cylindrique et le siège du joint torique sur le devant du boîtier pour enlever tout résidu de fumage.
- Il est recommandé de nettoyer la chambre à combustion avant de réassembler l'appareil.



## Trucs

- Pour donner une saveur de fumée à vos viandes, poissons, fruits ou légumes après la cuisson, il suffit de mettre les aliments dans une casserole couverte, un chaudron, un faitout ou tout autre récipient/plat couvert et d'injecter de la fumée sous le couvercle. Voir le tableau ci-dessous pour les techniques de fumage.
- Utilisez le Smoking Gun® Pro pour infuser une saveur et un arôme de fumée aux aliments délicats comme le fromage ou les légumes sans changer leur texture.
- Une à trois minutes suffiront pour infuser les aliments d'une saveur et d'un arôme de fumée. Si vous utilisez le Smoking Gun® Pro avec un récipient couvert, vous n'avez qu'à injecter la fumée sous le couvercle et laisser reposer quelques minutes.
- Ne placez pas le boyau directement dans les aliments; placez-le juste au-dessus.
- Un usage continu du Smoking Gun® Pro n'est PAS recommandé.
- Assurez-vous que l'appareil a suffisamment refroidi avant de le remplir à nouveau et de procéder à d'autres cycles de fumage, si nécessaire.
- Les copeaux de bois Hickory donnent une saveur prononcée de bacon fumé qui accompagne à merveille la plupart des viandes, surtout le porc (jambon, côtelettes, etc.) et le bœuf. Ils conviennent à la plupart des légumes, car ils procurent une saveur de terre assez relevée.
- Les copeaux de pommier Applewood iront bien avec la volaille, le gibier et le porc, et fourniront une saveur de fumée plus douce, dense et fruitée.
- Utilisez des copeaux de bois qui ont été spécifiquement préparés pour le fumage - des copeaux qui auront été séchés au niveau requis et laisseront moins de dépôts résineux dans le bec de fumage de l'appareil.

## TECHNIQUES

<b>CONTENANT OU SAC</b>	<ol style="list-style-type: none"><li>1. Toujours faire fumer les aliments après la cuisson.</li><li>2. Mettre les aliments dans un contenant, couvrir d'une pellicule plastique, insérer le boyau et remplir de fumée. Vous pouvez aussi mettre les aliments dans un sac scellable, insérer le boyau et remplir le sac de fumée.</li><li>3. Laisser les aliments absorber la fumée 1 minute et répéter 2-3 fois pour une saveur de fumée plus prononcée.</li></ol>
<b>SERVICE À TABLE</b>	<ol style="list-style-type: none"><li>1. Disposer les aliments sur une assiette.</li><li>2. Tenir un verre à l'envers et le remplir de fumée.</li><li>3. Déposer le verre sur les aliments et les laisser absorber la fumée pendant le service.</li><li>4. Soulever le verre à la table, devant vos invités.</li></ol>
<b>BATTEUR SUR SOCLE</b>	<ol style="list-style-type: none"><li>1. Fouetter ou battre les aliments dans le bol d'un batteur sur socle.</li><li>2. Dispenser les aliments également sur les parois du bol pour maximiser la surface de fumage.</li><li>3. Couvrir le bol d'une pellicule plastique, insérer le boyau et remplir de fumée.</li><li>4. Laisser les aliments absorber la fumée durant 1 minute, puis répéter 2-3 fois pour une saveur de fumée plus prononcée.</li></ol>
<b>MÉLANGEUR</b>	<ol style="list-style-type: none"><li>1. Remplir le mélangeur d'ingrédients liquides à être fumés (sauce, soupe, marinade, etc.)</li><li>2. Insérer le boyau dans l'ouverture du couvercle du mélangeur.</li><li>3. Infuser la fumée dans le mélangeur, remettre le bouchon-mesure et mélanger. Répéter 2-3 fois pour une saveur de fumée plus prononcée.</li></ol>
<b>SHAKER</b>	<ol style="list-style-type: none"><li>1. Préparer la boisson.</li><li>2. Remplir le shaker de fumée, retirer le boyau, mettre le couvercle et remuer.</li></ol>



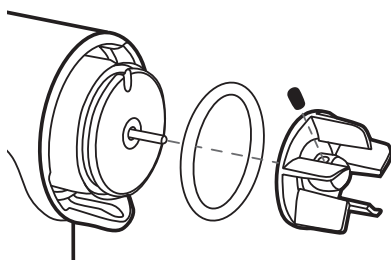
## Entretien & nettoyage

1. Avant le nettoyage, assurez-vous que l'appareil est parfaitement refroidi et que le cadran est en position d'arrêt (OFF). Retirez les piles.
2. Retirez la chambre à combustion du baril, tournez-la à l'envers et tapotez-la sur une surface solide pour en dégager tout résidu de bois ou de cendre. La chambre à combustion peut être nettoyée à l'eau chaude savonneuse ou dans le lave-vaisselle.
3. Tournez le baril en sens antihoraire et tirez vers l'avant pour le dégager. Le baril peut être nettoyé à l'eau chaude savonneuse ou dans le lave-vaisselle.
4. Le filtre à mailles peut être nettoyé à l'eau chaude savonneuse avec une petite brosse, si nécessaire.
5. Nettoyez le boyau et ses extrémités à l'eau chaude savonneuse, si nécessaire.
6. Nettoyez le Smoking Gun® Pro à la main avec un chiffon humide. Ne l'immergez pas dans l'eau.
7. Le ventilateur peut être retiré en tournant la vis de réglage en sens antihoraire à l'aide de la clé hexagonale. Dès lors, il peut être glissé vers l'avant pour le retirer de l'arbre du moteur. Le ventilateur peut être nettoyé à la main avec de l'eau chaude savonneuse. Il ne va pas au lave-vaisselle. Assurez-vous qu'il est parfaitement séché avant de le réassembler.
8. Le joint torique peut être retiré délicatement en l'accrochant par le dessous à l'aide de la clé hexagonale (par la petite fente au-dessus du ventilateur).

### Assemblage du ventilateur

1. Le joint torique rouge doit être assemblé dans l'encoche sur le rebord de la face cylindrique en saillie à l'avant du boîtier. Assurez-vous qu'il est bien fixé dans la rainure et sans torsion.

2. Assemblez la petite vis de réglage dans le petit orifice sur le côté du ventilateur.



3. Glissez le ventilateur sur l'arbre du moteur en saillie sur le devant du cylindre jusqu'à ce qu'il reste un espace d'environ 1 mm. À l'aide de la clé hexagonale, serrez la vis de réglage en appliquant la force requise, mais sans trop.



### NOTE

- N'utilisez pas l'appareil sans le baril, la chambre à combustion, le ventilateur et le joint torique en place.
- N'utilisez pas l'appareil si le filtre à mailles n'est pas en place dans la chambre à combustion.
- N'utilisez pas l'appareil pour faire pétiller un liquide - l'appareil n'est pas conçu pour un tel usage (voir la section TECHNIQUES en page 20).
- Le boyau peut être rangé en boucle pour contenir l'odeur.
- Retirez les piles si le Smoking Gun® Pro n'est pas utilisé pour une période prolongée.
- Laissez l'appareil refroidir complètement entre chaque session de fumage.
- La chambre à combustion, le ressort, le baril et le joint torique peuvent être nettoyés dans le lave-vaisselle.
- Si le joint torique est très collant et rend le baril difficile à assembler, lubrifiez l'extérieur avec une petite quantité d'huile. N'utilisez pas l'appareil sans le baril en place.
- Remplacez le filtre à mailles s'il est bloqué.

### Spécifications du filtre à mailles :

Filtre US no 20 [25,4 mm (1 po), acier inoxydable 304].

### Spécifications de la vis de réglage :

M3 x 6mm SS303

### Spécifications de la clé hexagonale: 1,5mm AF



### AVERTISSEMENT

- N'immergez pas le boîtier dans un liquide.
- Ne faites pas fonctionner l'appareil sans le baril en place.
- La résine peut tacher les mains; manipulez les pièces avec précaution.

Visitez [Breville.com](http://Breville.com) et [polysciencesculinary.com](http://polysciencesculinary.com) pour commander des filtres supplémentaires.



## Guide de dépannage

### PROBLÈME POSSIBLE SOLUTION FACILE

**Je ne peux assembler le ventilateur.**

- Dévissez la petite vis de réglage pour vous assurer qu'elle ne bloque pas l'ouverture de l'arbre d'entraînement.
- Assurez-vous que l'ouverture de l'arbre d'entraînement dans le ventilateur n'est pas bloqué.

**Le ventilateur ne démarre pas.**

- Vérifiez l'orientation des piles.
- Remplacez les piles.
- Assurez-vous que le ventilateur est bien assemblé, avec un espace d'environ 1 mm derrière lui. Avec le baril en place, vérifiez qu'il soit mobile en le bougeant avec un cure-dents (ou objet similaire).

**Je ne peux assembler le baril.**

- Assurez-vous que le ventilateur est orienté correctement - l'ouverture la plus large doit être dirigée vers le haut sur le côté de la ligne médiane de l'appareil lorsque les ergots de baïonnette sont initialement engagés.
- Assurez-vous que le ventilateur est bien positionné - il doit y avoir un espace d'environ 1 mm derrière.
- Si le baril tourne difficilement, ajoutez quelques gouttes d'huile alimentaire sur la surface du joint torique.

**Aucune fumée n'est générée**

- Assurez-vous que le filtre à mailles n'est pas bloqué.
- Assurez-vous que le boyau n'est pas bloqué ou entortillé.
- Assurez-vous que le ventilateur démarre lorsque le cadran de vitesse est tourné entre MAX et MIN.
- Lorsque vous utilisez un contenant hermétique, assurez-vous qu'il y a une sortie pour que l'air s'échappe.
- Assurez-vous que les copeaux de bois sont secs et petits.
- Augmentez la vitesse du ventilateur à MAX.

**Il n'y a pas assez de fumée.**

- Tournez le cadran à MAX pour augmenter le débit de fumée.

**La fumée s'échappe autour du baril.**

- Assurez-vous que le joint torique est bien placé.
- Assurez-vous que le joint torique n'est pas endommagé.



# **Breville®** | **PolyScience®**

Breville is a registered trademark of Breville Pty. Ltd. A.B.N. 98 000 092 928.  
Copyright Breville Pty. Ltd. 2016.

Due to continued product improvement, the products illustrated/photographed  
in this booklet may vary slightly from the actual product.

CSM700PSSONUC1 A16