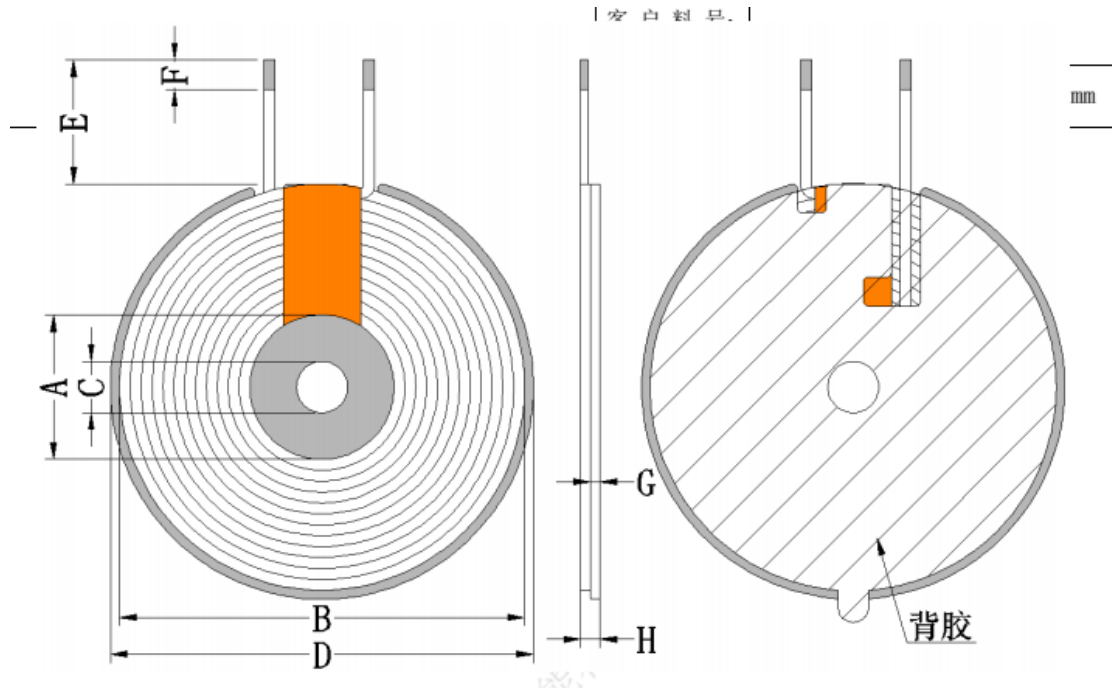


Antenna Specifications

1. Model number: 20.5*43*0.08*105P*10TS*30mm
2. Manufacture: DONGGUAN KIMCHEN INDUSTRY INTL LIMITED
- 3.



A	B	C	D	E	F	G	H
20.5±0.5	43±1	5.3±0.5	50±1	30±1	3±1	1.0±0.1	2.8MAX

4. Product parameters

Antenna Gain: 0dBi

Line diameter: 0.08*105P

Number of turns: 10

