



ThinkSystem SR530 Setup Guide



Machine Types: 7X07 and 7X08

Note

Before using this information and the product it supports, be sure to read and understand the safety information and the safety instructions, which are available at:

http://thinksystem.lenovofiles.com/help/topic/safety_documentation/pdf_files.html

In addition, be sure that you are familiar with the terms and conditions of the Lenovo warranty for your server, which can be found at:

<http://datacentersupport.lenovo.com/warrantylookup>

Fourteenth Edition (May 2022)

© Copyright Lenovo 2017, 2022.

LIMITED AND RESTRICTED RIGHTS NOTICE: If data or software is delivered pursuant to a General Services Administration (GSA) contract, use, reproduction, or disclosure is subject to restrictions set forth in Contract No. GS-35F-05925.

Contents

Contents	i	Install the serial port module	67
Chapter 1. Introduction	1	Install the LOM adapter	69
Server package contents	3	Install a hot-swap power supply	70
Features.	3	Install a RAID super capacitor module	74
Specifications	4	Install the air baffle	75
Particulate contamination	10	Install the top cover	76
Management options.	11	Install a hot-swap drive	78
		Install a simple-swap drive.	79
Chapter 2. Server components	15	Install the server in a rack	80
Front view	15	Cable the server	80
Operator information panel	17	Power on the server	81
Rear view	19	Validate server setup.	81
Rear view LEDs	22	Power off the server	81
System board components	25	Chapter 4. System configuration	83
Internal cable routing.	27	Set the network connection for the Lenovo XClarity	
VGA connector	28	Controller	83
Front I/O assembly.	30	Update the firmware	84
RAID super capacitor module	31	Configure the firmware	87
Backplanes.	32	Memory configuration	88
Parts list.	36	RAID configuration	89
Power cords	39	Deploy the operating system.	89
		Back up the server configuration	90
Chapter 3. Server hardware setup	41	Update the Vital Product Data (VPD).	90
Server setup checklist	41	Update the Universal Unique Identifier	
Installation Guidelines	42	(UUID).	90
Safety inspection checklist.	43	Update the asset tag	92
System reliability guidelines	44	Chapter 5. Resolving installation	
Working inside the server with the power on	44	issues	95
Handling static-sensitive devices	44	Appendix A. Getting help and	
Install server hardware options	45	technical assistance	99
Remove the security bezel	46	Before you call	99
Remove the top cover	47	Collecting service data	100
Remove the air baffle	48	Contacting Support	101
Install a processor-heat-sink module.	50	Appendix B. Trademarks	103
Install a memory module	53	Index	105
Install a system fan.	59		
Install a PCIe adapter and riser assembly	61		
Install the M.2 backplane and M.2 drive.	63		

Chapter 1. Introduction

The Lenovo ThinkSystem™ SR530 is a general-purpose dual-socket 1U rack server that is great for various IT workloads, include web hosting, entry cloud, and virtualization. It is ideal for small and medium-size business (SMB) customers to run many kinds of applications by offering the latest technology to support multi-core processors, faster memory speed, flexible input/output (I/O) options and tiered system management.

The server comes with a limited warranty. For details about the warranty, see:
<https://support.lenovo.com/us/en/solutions/ht503310>

For details about your specific warranty, see:
<http://datacentersupport.lenovo.com/warrantylookup>

Identifying your server

When you contact Lenovo for help, the machine type and serial number information helps support technicians to identify your server and provide faster service.

The machine type and serial number are on the ID label on the right rack latch in the front of the server.

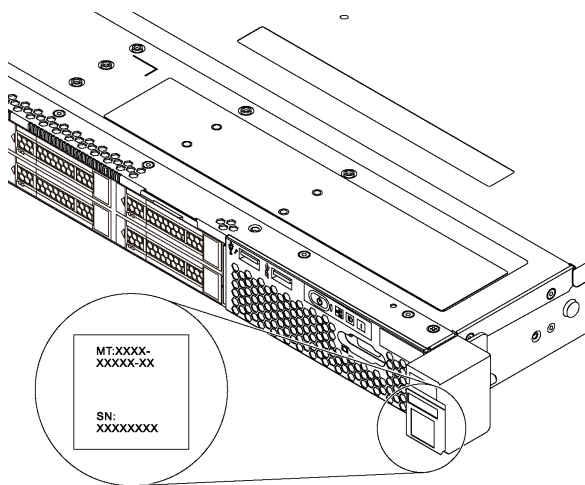


Figure 1. Location of the ID label

XClarity Controller network access label

The XClarity® Controller network access label is attached on the top side of the pull-out information tab. After you get the server, peel the XClarity Controller network access label away and store it in a safe place.

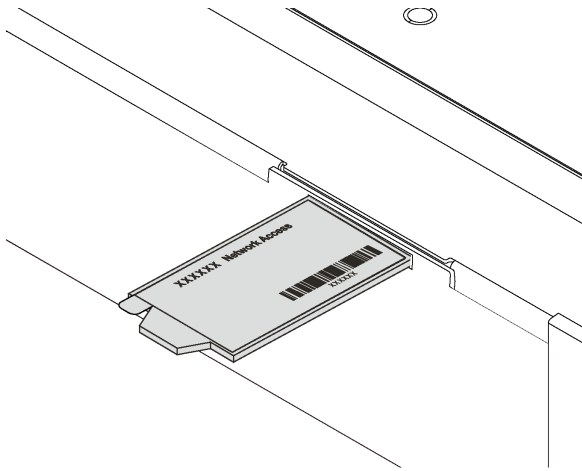


Figure 2. Location of the XClarity Controller network access label

Quick response code

The system service label, which is on the top cover, provides a quick response (QR) code for mobile access to service information. Scan the QR code with a mobile device and a QR code reader application to get quick access to the Lenovo Service web site for this server. The Lenovo Service Information Web site provides additional information for parts installation and replacement videos, and error codes for server support.

The following illustration shows the QR code: <https://support.lenovo.com/p/servers/sr530>

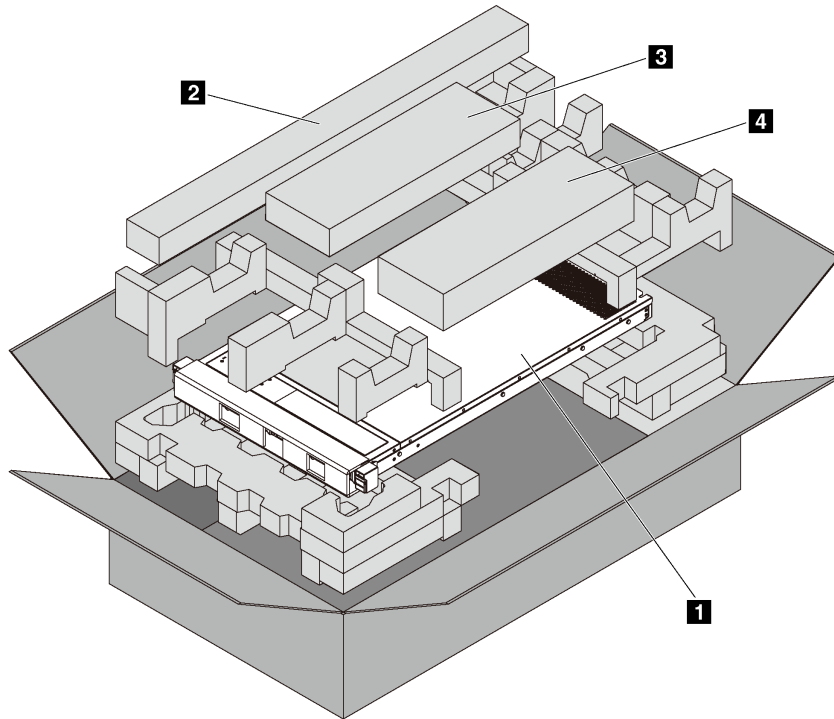


Figure 3. QR code

Server package contents

When you receive your server, verify that the shipment contains everything that you expected to receive.

The server package includes the following items:



Note: Items marked with asterisk (*) are available on some models only.

- ❶ Server
- ❷ Rail kit*. Detailed instructions for installing the rail kit are provided in the package with the rail kit.
- ❸ Cable management arm*
- ❹ Material box, including items such as accessory kit, power cords* and documentation

Features

Performance, ease of use, reliability, and expansion capabilities were key considerations in the design of your server. These design features make it possible for you to customize the system hardware to meet your needs today and provide flexible expansion capabilities for the future.

Your server implements the following features and technologies:

- **Lenovo XClarity Controller (XCC)**

The Lenovo XClarity Controller is the common management controller for Lenovo ThinkSystem server hardware. The Lenovo XClarity Controller consolidates multiple management functions in a single chip on the server system board.

Some of the features that are unique to the Lenovo XClarity Controller are enhanced performance, higher-resolution remote video, and expanded security options. For additional information about the Lenovo XClarity Controller, see:

http://sysmgt.lenovofiles.com/help/topic/com.lenovo.systems.management.xcc.doc/product_page.html

- **UEFI-compliant server firmware**

Lenovo ThinkSystem firmware is Unified Extensible Firmware Interface (UEFI) 2.5 compliant. UEFI replaces BIOS and defines a standard interface between the operating system, platform firmware, and external devices.

Lenovo ThinkSystem servers are capable of booting UEFI-compliant operating systems, BIOS-based operating systems, and BIOS-based adapters as well as UEFI-compliant adapters.

Note: The server does not support DOS (Disk Operating System).

- **Large system-memory capacity**

The server supports registered dual-inline memory modules (RDIMMs) and load-reduced DIMMs (LRDIMMs) with error correcting code (ECC). The server supports up to a maximum system memory of 384 GB (using RDIMMs) or 768 GB (using LRDIMMs).

- **Integrated Trusted Platform Module (TPM)**

This integrated security chip performs cryptographic functions and stores private and public secure keys. It provides the hardware support for the Trusted Computing Group (TCG) specification. You can download the software to support the TCG specification.

For more information on TPM configurations, see “Enable TPM/TCM” in the *Maintenance Manual*.

Note: For customers in Chinese Mainland, a Lenovo-qualified TPM 2.0 adapter or a Trusted Cryptographic Module (TCM) adapter (sometimes called a daughter card) may be pre-installed.

- **Large data-storage capacity and hot-swap capability**

The hot-swap server models support up to four 3.5-inch hot-swap SAS/SATA drives or up to eight 2.5-inch hot-swap SAS/SATA drives. The simple-swap server models support up to four 3.5-inch simple-swap SAS/SATA drives.

With the hot-swap feature, you can add, remove, or replace hard disk drives without turning off the server.

- **Mobile access to Lenovo Service Information website**

The server provides a QR code on the system service label, which is on the cover of the server, that you can scan using a QR code reader and scanner with a mobile device to get quick access to the Lenovo Service Information website. The Lenovo Service Information website provides additional information for parts installation, replacement videos, and error codes for server support.

- **Redundant networking connection**

The Lenovo XClarity Controller provides failover capability to a redundant Ethernet connection with the applicable application installed. If a problem occurs with the primary Ethernet connection, all Ethernet traffic that is associated with the primary connection is automatically switched to the optional redundant Ethernet connection. If the applicable device drivers are installed, this switching occurs without data loss and without user intervention.

- **Redundant cooling and optional power capabilities**

The server supports a maximum of two 550-watt or 750-watt hot-swap power supplies and six non hot-swap fans, which provide redundancy for a typical configuration. The redundant cooling by the fans in the server enables continued operation if one of the fans fails.

Note: You cannot mix 550-watt and 750-watt power supplies in the server.

Specifications

The following information is a summary of the features and specifications of the server. Depending on the model, some features might not be available, or some specifications might not apply.

Table 1. Server specifications

Specification	Description
Dimension	<ul style="list-style-type: none"> • Form factor: 1U • Height: 43.0 mm (1.7 inches) • Width: <ul style="list-style-type: none"> – With rack latches: 482.0 mm (19.0 inches) – Without rack latches: 434.4 mm (17.1 inches) • Depth: 778.3 mm (30.7 inches) <p>Note: The depth is measured with rack latches and power supply installed, but without security bezel installed.</p>
Weight	Up to 16.0 kg (35.3 lb), depending on your configuration
Processor (depending on the model)	<ul style="list-style-type: none"> • Up to two Intel® Xeon® Scalable Processors <ul style="list-style-type: none"> – Designed for Land Grid Array (LGA) 3647 socket – Scalable up to 20 cores <p>For a list of supported processors, see: https://static.lenovo.com/us/en/serverproven/index.shtml</p>
Memory	<p>For 1st Generation Intel Xeon Scalable Processor (SP Gen 1) :</p> <ul style="list-style-type: none"> • Minimum: 8 GB • Maximum: <ul style="list-style-type: none"> – 384 GB using registered DIMMs (RDIMMs) – 768 GB using load-reduced DIMMs (LRDIMMs) • Type (depending on the model): <ul style="list-style-type: none"> – TruDDR4 2666, single-rank or dual-rank, 8 GB/16 GB/32 GB RDIMMs – TruDDR4 2666, quad-rank, 64 GB LRDIMMs • Slots: 12 slots <p>For 2nd Generation Intel Xeon Scalable Processor (SP Gen 2):</p> <ul style="list-style-type: none"> • Minimum: 8 GB • Maximum: 768 GB • Type (depending on the model): <ul style="list-style-type: none"> – TruDDR4 2666, single-rank or dual-rank, 16 GB/32 GB RDIMMs – TruDDR4 2933, single-rank or dual-rank, 8 GB/16 GB/32 GB/64 GB RDIMMs • Slots: 12 slots <p>Note: Operating speed and total memory capacity depend on the processor model and UEFI settings.</p> <p>For a list of supported memory, see: https://static.lenovo.com/us/en/serverproven/index.shtml</p>

Table 1. Server specifications (continued)

Specification	Description
Operating systems	<p>Supported and certified operating systems:</p> <ul style="list-style-type: none"> • Microsoft Windows Server • VMware ESXi • Red Hat Enterprise Linux • SUSE Linux Enterprise Server <p>For a complete list of operating systems, see:</p> <p>https://lenovopress.com/osig</p> <p>For OS deployment instructions, see: “Deploy the operating system” on page 89.</p>
Internal drives	<p>Drives supported by your server vary by model.</p> <ul style="list-style-type: none"> • Up to four 3.5-inch hot-swap SAS/SATA drives • Up to four 3.5-inch simple-swap SATA drives • Up to eight 2.5-inch hot-swap SAS/SATA drives • Up to two M.2 drives
PCIe slots	<p>Depending on the server model, your server supports up to three PCIe slots.</p> <p>For more information about the PCIe slots, see “Rear view” on page 19.</p>
Input/Output (I/O) features	<ul style="list-style-type: none"> • Front panel: <ul style="list-style-type: none"> – One VGA connector* – One XClarity Controller USB connector – One USB 3.0 connector • Rear panel: <ul style="list-style-type: none"> – One VGA connector – Two USB 3.0 connectors – Two Ethernet connectors (RJ-45) – One XClarity Controller network connector – Two Ethernet connectors on the LOM adapter* – One serial port* <p>* Available on some models</p>

Table 1. Server specifications (continued)

Specification	Description
Storage controller	<ul style="list-style-type: none"> • SAS/SATA HBA adapters <ul style="list-style-type: none"> – ThinkSystem 430-8i SAS/SATA 12Gb HBA – ThinkSystem 430-8e SAS/SATA 12Gb HBA – ThinkSystem 430-16e SAS/SATA 12Gb HBA – ThinkSystem 440-8i SAS/SATA PCIe Gen4 12Gb HBA – ThinkSystem 440-16i SAS/SATA PCIe Gen4 12Gb HBA – ThinkSystem 440-16e SAS/SATA PCIe Gen4 12Gb HBA • SAS/SATA RAID adapters <ul style="list-style-type: none"> – ThinkSystem RAID 530-8i PCIe 12Gb Adapter – ThinkSystem RAID 540-8i PCIe 12Gb Adapter – ThinkSystem RAID 730-8i 1GB Adapter – ThinkSystem RAID 730-8i 2GB PCIe Adapter – ThinkSystem RAID 930-8i 2GB Flash PCIe 12Gb Adapter – ThinkSystem RAID 930-16i 4GB Flash PCIe 12Gb Adapter – ThinkSystem RAID 930-8e 4GB Flash PCIe 12Gb Adapter – ThinkSystem RAID 940-8e 4GB Flash PCIe 12Gb Adapter – ThinkSystem RAID 940-8i 4GB Flash PCIe Gen4 12Gb Adapter – ThinkSystem RAID 940-16i 4GB Flash PCIe Gen4 12Gb Adapter – ThinkSystem RAID 940-16i 8GB Flash PCIe Gen4 12Gb Adapter – ThinkSystem RAID 5350-8i PCIe 12Gb Adapter – ThinkSystem RAID 9350-8i 2GB Flash PCIe 12Gb Adapter <p>Notes:</p> <ul style="list-style-type: none"> • RAID 730-8i 1G Cache SAS/SATA adapter is not available for North America. • RAID 530-8i SAS/SATA adapter cannot be mixed with RAID 730-8i 1G Cache SAS/SATA adapter. • RAID 730-8i 2G Flash SAS/SATA adapter cannot be mixed with RAID 730-8i 1G Cache SAS/SATA adapter or RAID 930-8i SAS/SATA adapter. • The RAID 940 adapters can be mixed with the ThinkSystem 440-8i SAS/SATA PCIe Gen4 12Gb HBA and the ThinkSystem 440-16i SAS/SATA PCIe Gen4 12Gb HBA. • Mixing of RAID/HBA 430/530/730/930 adapters (Gen 3) and RAID/HBA 440/540/940 adapters (Gen 4) in the same system is not allowed. • RAID 930/940 series or 9350 series adapters require a RAID flash power module. • RAID 5350/9350 series adapters cannot be mixed with HBA/RAID 430/440/530/540/730/930/940 series SAS/SATA adapters.
System fans	<ul style="list-style-type: none"> • One processor: four system fans • Two processors: six system fans <p>Note: If your server is installed with one processor, four system fans (fan 1 to fan 4) are adequate to provide proper cooling. However, you must keep the locations for fan 5 and fan 6 occupied by fan fillers to ensure proper airflow.</p>

Table 1. Server specifications (continued)

Specification	Description
Power supplies	<p>Up to two hot-swap power supplies for redundancy support.</p> <ul style="list-style-type: none"> • 550-watt ac 80 PLUS Platinum • 750-watt ac 80 PLUS Platinum • 750-watt ac 80 PLUS Titanium
Acoustical noise emissions	<ul style="list-style-type: none"> • Sound power levels, idle <ul style="list-style-type: none"> – 4.5 bels, minimum – 4.6 bels, typical – 5.2 bels, maximum • Sound power levels, operating <ul style="list-style-type: none"> – 5.0 bels, minimum – 5.1 bels, typical – 5.5 bels, maximum <p>Notes:</p> <ul style="list-style-type: none"> • These sound power levels are measured in controlled acoustical environments according to procedures specified by ISO 7779 and are reported in accordance with ISO 9296. • The declared acoustic noise levels are based on specified configurations and they may change depending on configurations/conditions. • The declared acoustic noise levels may increase greatly, if high-power components are installed, for example, some high-power NICs, CPUs, and GPUs.
Electrical input	<ul style="list-style-type: none"> • Sine-wave input (50–60 Hz) required • Input voltage low range <ul style="list-style-type: none"> – Minimum: 100 V ac – Maximum: 127 V ac • Input voltage high range: <ul style="list-style-type: none"> – Minimum: 200 V ac – Maximum: 240 V ac <p>Note: For server models with 750-watt ac 80 PLUS Titanium power supplies, the 100–127 V ac input voltage is not supported.</p> <p>CAUTION:</p> <ul style="list-style-type: none"> • 240 V dc input (input range: 180-300 V dc) is supported in Chinese Mainland ONLY. Power supply with 240 V dc input cannot support hot plugging power cord function. Before removing the power supply with dc input, please turn off server or disconnect dc power sources at the breaker panel or by turning off the power source. Then, remove the power cord. • In order for the ThinkSystem products to operate error free in both a DC or AC electrical environment, a TN-S earthing system which complies to 60364-1 IEC 2005 standard has to be present or installed.

Table 1. Server specifications (continued)

Specification	Description
Minimal configuration for debugging	<ul style="list-style-type: none"> • One processor in processor socket 1 • One DIMM in slot 3 • One power supply • One HDD or M.2 (If OS installation is needed for debugging) • Four system fans (fan 1 to fan 4)
Environment	<p>The server is supported in the following environment:</p> <p>Note: This server is designed for standard data center environment and recommended to be placed in industrial data center.</p> <ul style="list-style-type: none"> • Air temperature: <ul style="list-style-type: none"> – Operating: <ul style="list-style-type: none"> – ASHRAE class A2: 10–35°C (50–95°F); when the altitude exceeds 900 m (2953 ft), the maximum ambient temperature value decreases by 1°C (1.8°F) with every 300 m (984 ft) of altitude increase. – ASHRAE class A3: 5–40°C (41–104°F); when the altitude exceeds 900 m (2953 ft), the maximum ambient temperature value decreases by 1°C (1.8°F) with every 175 m (574 ft) of altitude increase. – ASHRAE class A4: 5–45°C (41–113°F); when the altitude exceeds 900 m (2953 ft), the maximum ambient temperature value decreases by 1°C (1.8°F) with every 125 m (410 ft) of altitude increase. – Server off: 5–45°C (41–113°F) – Shipping or storage: -40–60°C (-40–140°F) • Maximum altitude: 3050 m (10 000 ft) • Relative humidity (non-condensing): <ul style="list-style-type: none"> – Operating: <ul style="list-style-type: none"> – ASHRAE class A2: 8%–80%; maximum dew point: 21°C (70°F) – ASHRAE class A3: 8%–85%; maximum dew point: 24°C (75°F) – ASHRAE class A4: 8%–90%; maximum dew point: 24°C (75°F) – Shipping or storage: 8%–90% • Particulate contamination <p>Attention: Airborne particulates and reactive gases acting alone or in combination with other environmental factors such as humidity or temperature might pose a risk to the server.</p> <p>Notes: Your server complies with ASHRAE class A2 specifications. The server performance might be impacted when the operating temperature is outside the ASHRAE A2 specifications. Depending on the hardware configuration, some server models comply with ASHRAE class A3 and class A4 specifications. To comply with ASHRAE class A3 and class A4 specifications, the server models must meet the following hardware configuration requirements at the same time:</p> <ul style="list-style-type: none"> • Two power supplies must be installed. • No system fan fails.

Important information about EU ecodesign requirements

To meet the EU ecodesign requirements for energy-related products (ErP) Lot 9, your server must meet the following requirements:

- Minimum memory: 16 GB
- For server configured with one processor, these processors are not supported: Intel Xeon 3104, 3106, 3204, 4108, 4109T, 4110, 4112, 5122, 5222, 8156, and 8256.

Particulate contamination

Attention: Airborne particulates (including metal flakes or particles) and reactive gases acting alone or in combination with other environmental factors such as humidity or temperature might pose a risk to the device that is described in this document.

Risks that are posed by the presence of excessive particulate levels or concentrations of harmful gases include damage that might cause the device to malfunction or cease functioning altogether. This specification sets forth limits for particulates and gases that are intended to avoid such damage. The limits must not be viewed or used as definitive limits, because numerous other factors, such as temperature or moisture content of the air, can influence the impact of particulates or environmental corrosives and gaseous contaminant transfer. In the absence of specific limits that are set forth in this document, you must implement practices that maintain particulate and gas levels that are consistent with the protection of human health and safety. If Lenovo determines that the levels of particulates or gases in your environment have caused damage to the device, Lenovo may condition provision of repair or replacement of devices or parts on implementation of appropriate remedial measures to mitigate such environmental contamination. Implementation of such remedial measures is a customer responsibility.

Table 2. Limits for particulates and gases

Contaminant	Limits
Reactive gases	<p>Severity level G1 as per ANSI/ISA 71.04-1985¹:</p> <ul style="list-style-type: none"> • The copper reactivity level shall be less than 200 Angstroms per month ($\text{\AA}/\text{month} \approx 0.0035 \mu\text{g}/\text{cm}^2\text{-hour}$ weight gain).² • The silver reactivity level shall be less than 200 Angstroms per month ($\text{\AA}/\text{month} \approx 0.0035 \mu\text{g}/\text{cm}^2\text{-hour}$ weight gain).³ • The reactive monitoring of gaseous corrosivity must be conducted approximately 5 cm (2 in.) in front of the rack on the air inlet side at one-quarter and three-quarter frame height off the floor or where the air velocity is much higher.
Airborne particulates	<p>Data centers must meet the cleanliness level of ISO 14644-1 class 8.</p> <p>For data centers without airside economizer, the ISO 14644-1 class 8 cleanliness might be met by choosing one of the following filtration methods:</p> <ul style="list-style-type: none"> • The room air might be continuously filtered with MERV 8 filters. • Air entering a data center might be filtered with MERV 11 or preferably MERV 13 filters. <p>For data centers with airside economizers, the choice of filters to achieve ISO class 8 cleanliness depends on the specific conditions present at that data center.</p> <ul style="list-style-type: none"> • The deliquescent relative humidity of the particulate contamination should be more than 60% RH.⁴ • Data centers must be free of zinc whiskers.⁵
<p>¹ ANSI/ISA-71.04-1985. <i>Environmental conditions for process measurement and control systems: Airborne contaminants</i>. Instrument Society of America, Research Triangle Park, North Carolina, U.S.A.</p> <p>² The derivation of the equivalence between the rate of copper corrosion growth in the thickness of the corrosion product in $\text{\AA}/\text{month}$ and the rate of weight gain assumes that Cu_2S and Cu_2O grow in equal proportions.</p> <p>³ The derivation of the equivalence between the rate of silver corrosion growth in the thickness of the corrosion product in $\text{\AA}/\text{month}$ and the rate of weight gain assumes that Ag_2S is the only corrosion product.</p> <p>⁴ The deliquescent relative humidity of particulate contamination is the relative humidity at which the dust absorbs enough water to become wet and promote ionic conduction.</p> <p>⁵ Surface debris is randomly collected from 10 areas of the data center on a 1.5 cm diameter disk of sticky electrically conductive tape on a metal stub. If examination of the sticky tape in a scanning electron microscope reveals no zinc whiskers, the data center is considered free of zinc whiskers.</p>	

Management options

The XClarity portfolio and other system management offerings described in this section are available to help you manage the servers more conveniently and efficiently.

Overview

Offerings	Description
Lenovo XClarity Controller	<p>Baseboard management controller.</p> <p>Consolidates the service processor functionality, Super I/O, video controller, and remote presence capabilities into a single chip on the server system board.</p> <p>Interface</p> <ul style="list-style-type: none"> • CLI application • GUI application • Mobile application • Web interface • REST API <p>Usage and downloads</p> <p>http://sysmgt.lenovofiles.com/help/topic/com.lenovo.systems.management.xcc.doc/product_page.html</p>
Lenovo XClarity Administrator	<p>Centralized interface for multi-server management.</p> <p>Interface</p> <ul style="list-style-type: none"> • GUI application • Mobile application • Web interface • REST API <p>Usage and downloads</p> <p>http://sysmgt.lenovofiles.com/help/topic/com.lenovo.lxca.doc/aug_product_page.html</p>
Lenovo XClarity Essentials toolset	<p>Portable and light toolset for server configuration, data collection, and firmware updates. Suitable both for single-server or multi-server management contexts.</p> <p>Interface</p> <ul style="list-style-type: none"> • OneCLI: CLI application • Bootable Media Creator: CLI application, GUI application • UpdateXpress: GUI application <p>Usage and downloads</p> <p>http://sysmgt.lenovofiles.com/help/topic/xclarity_essentials/overview.html</p>
Lenovo XClarity Provisioning Manager	<p>UEFI-based GUI tool on a single server that can simplify management tasks.</p> <p>Interface</p> <ul style="list-style-type: none"> • Web interface (BMC remote access) • GUI application <p>Usage and downloads</p> <p>https://sysmgt.lenovofiles.com/help/topic/lxpm_frontend/lxpm_about.html</p>

Offerings	Description
Lenovo XClarity Integrator	<p>Series of applications that can integrate management features of Lenovo XClarity Administrator and your server with software used in a certain deployment infrastructure, such as VMware vCenter, Microsoft Admin Center, or Microsoft System Center.</p> <p>Interface</p> <p>GUI application</p> <p>Usage and downloads</p> <p>https://sysmgt.lenovofiles.com/help/topic/lxci/lxci_product_page.html</p>
Lenovo XClarity Energy Manager	<p>Application that can manage and monitor server power and temperature.</p> <p>Interface</p> <ul style="list-style-type: none"> • GUI application • Web Interface <p>Usage and downloads</p> <p>https://datacentersupport.lenovo.com/solutions/Invo-lxem</p>
Lenovo Capacity Planner	<p>Application that supports power consumption planning for a server or rack.</p> <p>Interface</p> <ul style="list-style-type: none"> • GUI application • Web Interface <p>Usage and downloads</p> <p>https://datacentersupport.lenovo.com/solutions/Invo-lcp</p>

Functions

Offerings	Functions							
	Multi-system mgmt	OS deployment	System configuration	Firmware updates	Event/alert monitoring	Inventory/logs	Power mgmt	Power planning
Lenovo XClarity Controller			√	√	√	√		
Lenovo XClarity Administrator	√	√	√	√	√	√		
Lenovo XClarity Essentials toolset	OneCLI	√		√	√	√		
	Bootable Media Creator			√	√		√	
	UpdateXpress			√	√			
Lenovo XClarity Provisioning Manager		√	√	√		√		
Lenovo XClarity Integrator	√	√ ⁶	√	√	√	√	√	

Offerings	Functions							
	Multi-system mgmt	OS deployment	System configuration	Firmware updates	Event- s/alert monitoring	Inven- tory/ logs	Pow- er mgmt	Power planning
Lenovo XClarity Energy Manager	√				√		√	
Lenovo Capacity Planner								√

Notes:

1. Most options can be updated through the Lenovo tools. Some options, such as GPU firmware or Omni-Path firmware, require the use of vendor tools.
2. Firmware updates are limited to Lenovo XClarity Provisioning Manager, BMC firmware, and UEFI updates only. Firmware updates for optional devices, such as adapters, are not supported.
3. The server UEFI settings for option ROM must be set to **UEFI** to update firmware using Lenovo XClarity Essentials Bootable Media Creator.
4. The server UEFI settings for option ROM must be set to **UEFI** for detailed adapter card information, such as model name and firmware levels, to be displayed in Lenovo XClarity Administrator, Lenovo XClarity Controller, or Lenovo XClarity Essentials OneCLI.
5. It's highly recommended that you check the power summary data for your server using Lenovo Capacity Planner before purchasing any new parts.
6. Lenovo XClarity Integrator supports Windows operating system deployment with the Microsoft System Center Configuration Manager (SCCM) deployment pack.

Chapter 2. Server components

Use the information in this section to learn about each of the components associated with your server.

Front view

The front view of the server varies by the model.

- Front view of server models with 3.5-inch drive bays
- Front view of server models with 2.5-inch drive bays

The following illustrations show the front views of server models with hot-swap drives. Depending on the model, your server might look slightly different the illustrations.

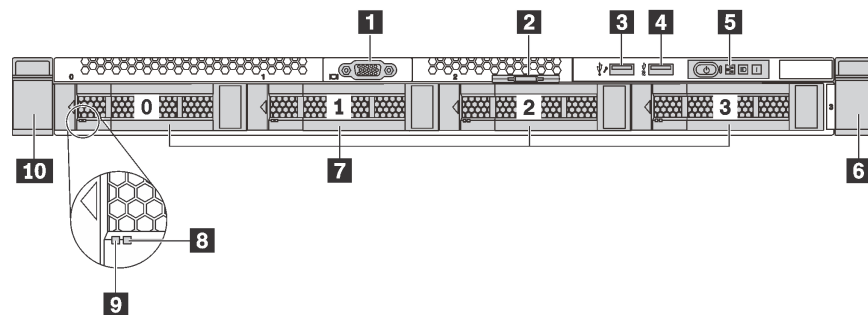


Figure 4. Front view of server models with 3.5-inch drive bays

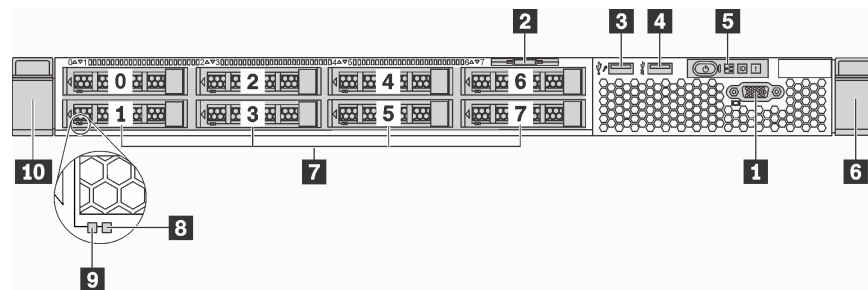


Figure 5. Front view of server models with 2.5-inch drive bays

Table 3. Components on the front of the server

Callout	Callout
1 VGA connector (available on some model)	2 Pull-out information tab
3 XClarity Controller USB connector	4 USB 3.0 connector
5 Operator information panel	6 Rack latch (right)
7 Drive bays	8 Drive status LED (yellow)
9 Drive activity LED (green)	10 Rack latch (left)

1 VGA connector (available on some models)

Used to attach a high-performance monitor, a direct-drive monitor, or other devices that use a VGA connector.

2 Pull-out information tab

The Lenovo XClarity Controller network access label is attached on the pull-out information tab.

3 XClarity Controller USB connector

Depending on the setting, this connector supports USB 2.0 function, XClarity Controller management function, or both.

- If the connector is set for USB 2.0 function, you can attach a device that requires a USB 2.0 connection, such as a keyboard, a mouse, or a USB storage device.
- If the connector is set for XClarity Controller management function, you can attach a mobile device installed with the application to run XClarity Controller event logs.
- If the connector is set to have both functions, you can press the ID button for three seconds to switch between the two functions.

For more information, see [“Set the network connection for the Lenovo XClarity Controller” on page 83.](#)

4 USB 3.0 connector

Attach a USB-compatible device, such as a USB keyboard, USB mouse, or USB storage device.

5 Operator information panel

For information about the controls and status LEDs on the operator information panel, see [“Operator information panel” on page 17.](#)

6 10 Rack latches

If your server is installed in a rack, you can use the rack latches to help you slide the server out of the rack. You also can use the latches and screws to secure the server in the rack so that the server cannot slide out, especially in vibration-prone areas. For more information, refer to the *Rack Installation Guide* that comes with your rail kit.

7 Drive bays

The number of the installed drives in your server varies by model. When you install drives, follow the order of the drive bay numbers.

The EMI integrity and cooling of the server are protected by having all drive bays occupied. The vacant drive bays must be occupied by drive fillers.

8 Drive status LED

9 Drive activity LED

Each hot-swap drive has two LEDs.

Drive LED	Status	Description
8 Drive status LED (right)	Solid yellow	The drive has an error.
	Blinking yellow (blinking slowly, about one flash per second)	The drive is being rebuilt.

Drive LED	Status	Description
	Blinking yellow (blinking rapidly, about four flashes per second)	The RAID controller is locating the drive.
9 Drive activity LED (left)	Solid green	The drive is powered but not active.
	Blinking green	The drive is active.

Operator information panel

The operator information panel of the server provides controls and LEDs.

The following illustration shows the operator information panel of the server.

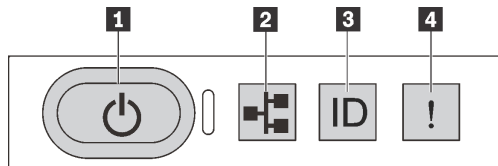


Figure 6. Operator information panel

Table 4. Components on the operator information panel

Callout	Callout
1 Power button with power status	2 Network activity
3 System ID button with ID	4 System error

1 Power button with power status

You can press the power button to power on the server when you finish setting up the server. You also can hold the power button for several seconds to power off the server if you cannot shut down the server from the operating system. The power status helps you to determine the current power status.

Status	Color	Description
Solid on	Green	The server is on and running.
Slow blinking (about one flash per second)	Green	The server is off and is ready to be powered on (standby state).
Fast blinking (about four flashes per second)	Green	The server is off, but the XClarity Controller is initializing, and the server is not ready to be powered on.
Off	None	There is no ac power applied to the server.

2 Network activity LED

Compatibility of the NIC adapter and the network activity LED.

NIC adapter	Network activity LED
LOM adapter	Support
ML2 NIC adapter	Support
PCIe NIC adapter	Not support

The network activity LED on the operator information panel helps you identify the network connectivity and activity.

Status	Color	Description
On	Green	The server is connected to a network.
Blinking	Green	The network is connected and active.
Off	None	The server is disconnected from the network.

3 System ID button with ID LED

Use this system ID button and the blue system ID LED to visually locate the server. A system ID LED is also located on the rear of the server. Each time you press the system ID button, the state of both the system ID LEDs changes. The LEDs can be changed to on, blinking, or off. You can also use the Lenovo XClarity Controller or a remote management program to change the state of the system ID LEDs to assist in visually locating the server among other servers.

If the XClarity Controller USB connector is set to have both the USB 2.0 function and XClarity Controller management function, you can press the ID button for three seconds to switch between the two functions.

4 System error LED

Status	Color	Description	Action
On	Yellow	<p>An error has been detected on the server. Causes might include but not limited to the following errors:</p> <ul style="list-style-type: none"> The temperature of the server reached the non-critical temperature threshold. The voltage of the server reached the non-critical voltage threshold. A fan has been detected to be running at low speed. A fan has been removed. The power supply has a critical error. The power supply is not connected to the power. 	<p>Check the event log to determine the exact cause of the error.</p> <p>For information about troubleshooting, see Chapter 5 “Resolving installation issues” on page 95.</p>
Off	None	The server is off or the server is on and is working correctly.	None.

Rear view

The rear of the server provides access to several components, including the power supplies, PCIe adapters, serial port, and Ethernet connectors.

- “Rear view of server models with three PCIe slots” on page 19
- “Rear view of server models with two PCIe slots” on page 21

Rear view of server models with three PCIe slots

The following illustration shows the rear view of server models with three PCIe slots. Depending on the model, your server might look slightly different from the illustrations in this topic.

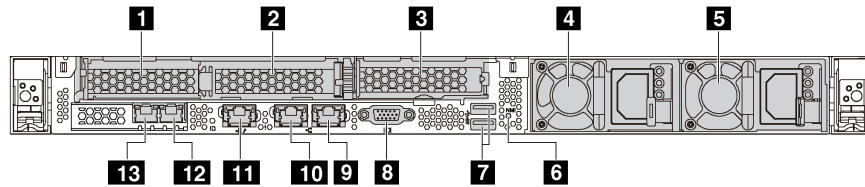


Figure 7. Rear view of server models with three PCIe slots

Table 5. Connectors on the rear of the server

Callout	Callout
1 PCIe slot 1 on riser 1 assembly	2 PCIe slot 2 on riser 1 assembly
3 PCIe slot 3 on riser 2 assembly	4 Power supply 1
5 Power supply 2 (available on some models)	6 NMI button
7 USB 3.0 connectors	8 VGA connector
9 Ethernet connector 2 (RJ-45)	10 Ethernet connector 1 (RJ-45)
11 XClarity Controller network connector	12 Ethernet connector 2 on the LOM adapter (available on some models)
13 Ethernet connector 1 on the LOM adapter (available on some models)	

1 2 PCIe slots on riser 1 assembly

Your server supports two types of riser cards for riser 1 assembly.

- Type 1
 - Slot 1: PCIe x16 (x8, x4, x1), low-profile
 - Slot 2: PCIe x16 (x16, x8, x4, x1), low-profile
- Type 2
 - Slot 1: PCIe x16 (x8, x4, x1), low-profile
 - Slot 2: ML2 x8 (x8, x4, x1), low-profile

3 PCIe slot on riser 2 assembly

Your server supports two types of riser cards for riser 2 assembly.

- Type 1: PCIe x16 (x8, x4, x1), low-profile

- Type 2: PCIe x16 (x16, x8, x4, x1), low-profile

Note: Type 2 is supported only when two processors are installed.

4 Power supply 1

5 Power supply 2 (available on some models)

The hot-swap redundant power supplies help you avoid significant interruption to the operation of the system when a power supply fails. You can purchase a power supply option from Lenovo and install the power supply to provide power redundancy without turning off the server.

On each power supply, there are three status LEDs near the power cord connector. For information about the LEDs, see [“Rear view LEDs” on page 22](#).

6 NMI button

Press this button to force a nonmaskable interrupt (NMI) to the processor. By this way, you can blue screen the server and take a memory dump. You might have to use a pen or the end of a straightened paper clip to press the button.

7 USB 3.0 connectors (2)

Attach a USB-compatible device, such as a USB keyboard, USB mouse, or USB storage device.

8 VGA connector

Used to attach a high-performance monitor, a direct-drive monitor, or other devices that use a VGA connector.

9 Ethernet connector 2

10 Ethernet connector 1

Used to attach an Ethernet cable for a LAN. Each Ethernet connector has two status LEDs to help you identify the Ethernet connectivity and activity. For information about the LEDs, see [“Rear view LEDs” on page 22](#).

Ethernet connector 1 can be set as XClarity Controller network connector. To set Ethernet connector 1 as XClarity Controller network connector, start Setup utility, go to **BMC Settings → Network Settings → Network Interface Port** and select **Shared**. Then, go to **Shared NIC on** and select **Onboard Port 1**.

11 XClarity Controller network connector

Used to attach an Ethernet cable to manage the system using XClarity Controller.

12 Ethernet connector 2 on the LOM adapter

13 Ethernet connector 1 on the LOM adapter

The LOM adapter provides two extra Ethernet connectors for network connections.

Ethernet connector 1 on the LOM adapter can be set as XClarity Controller network connector. To set the Ethernet connector as XClarity Controller network connector, start Setup utility, go to **BMC Settings → Network Settings → Network Interface Port** and select **Shared**. Then, go to **Shared NIC on** and select **PHY Card**.

Rear view of server models with two PCIe slots

The following illustrations show the rear view of the server models with two PCIe slots. Depending on the model, your server might look slightly different from the illustrations in this topic.

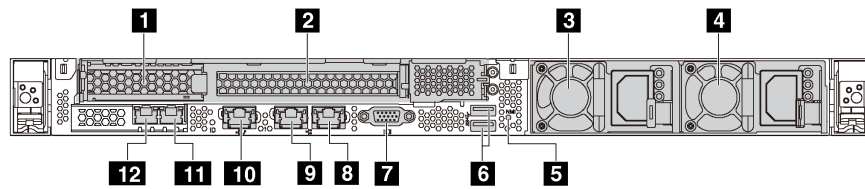


Figure 8. Rear view of server models with two PCIe slots

Table 6. Connectors on the rear of the server

Callout	Callout
1 PCIe slot 1 on riser 1 assembly	2 PCIe slot 2 on riser 1 assembly
3 Power supply 1	4 Power supply 2 (available on some models)
5 NMI button	6 USB 3.0 connectors
7 VGA connector	8 Ethernet connector 2 (RJ-45)
9 Ethernet connector 1 (RJ-45)	10 XClarity Controller network connector
11 Ethernet connector 2 on the LOM adapter (available on some models)	12 Ethernet connector 1 on the LOM adapter (available on some models)

1 2 PCIe slots on riser 1 assembly

Your server supports two types of riser cards for riser 1 assembly.

- Type 1
 - Slot 1: PCIe x16 (x8, x4, x1), low-profile
 - Slot 2: PCIe x16 (x16, x8, x4, x1), full-height, half-length
- Type 2
 - Slot 1: PCIe x16 (x8, x4, x1), low-profile
 - Slot 2: ML2 x8 (x8, x4, x1), low-profile adapter with full-height bracket

3 Power supply 1

4 Power supply 2 (available on some models)

The hot-swap redundant power supplies help you avoid significant interruption to the operation of the system when a power supply fails. You can purchase a power supply option from Lenovo and install the power supply to provide power redundancy without turning off the server.

On each power supply, there are three status LEDs near the power cord connector. For information about the LEDs, see [“Rear view LEDs” on page 22](#).

5 NMI button

Press this button to force a nonmaskable interrupt (NMI) to the processor. By this way, you can blue screen the server and take a memory dump. You might have to use a pen or the end of a straightened paper clip to press the button.

6 USB 3.0 connectors (2)

Attach a USB-compatible device, such as a USB keyboard, USB mouse, or USB storage device.

7 VGA connector

Used to attach a high-performance monitor, a direct-drive monitor, or other devices that use a VGA connector.

8 Ethernet connector 2

9 Ethernet connector 1

Used to attach an Ethernet cable for a LAN. Each Ethernet connector has two status LEDs to help you identify the Ethernet connectivity and activity. For information about the LEDs, see [“Rear view LEDs” on page 22](#).

Ethernet connector 1 can be set as XClarity Controller Network connector. To set Ethernet connector 1 as XClarity Controller Network connector, start Setup utility, go to **BMC Settings** → **Network Settings** → **Network Interface Port** and select **Shared**. Then, go to **Shared NIC on** and select **Onboard Port 1**.

10 XClarity Controller network connector

Used to attach an Ethernet cable to manage the system using XClarity Controller.

11 Ethernet connector 2 on the LOM adapter

12 Ethernet connector 1 on the LOM adapter

The LOM adapter provides two extra Ethernet connectors for network connections.

Ethernet connector 1 on the LOM adapter can be set as XClarity Controller Network connector. To set the Ethernet connector as XClarity Controller Network connector, start Setup utility, go to **BMC Settings** → **Network Settings** → **Network Interface Port** and select **Shared**. Then, go to **Shared NIC on** and select **PHY Card**.

Rear view LEDs

The rear of the server provides system ID LED, system error LED, network LEDs, and power supply LEDs.

The following illustration shows the LEDs on the rear view of server models with three PCIe slots. The LEDs on the rear view of server models with two PCIe slots are the same.

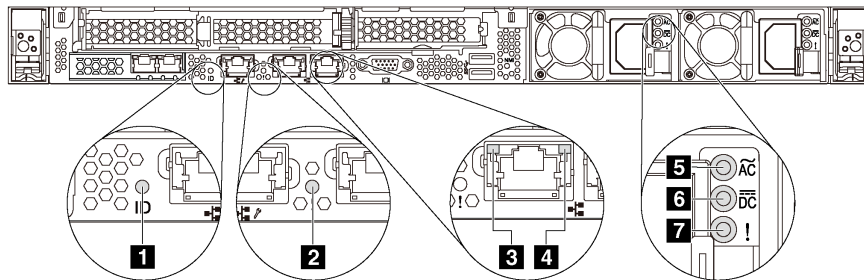


Figure 9. Rear view LEDs

Table 7. LEDs on the rear view of the server

Callout	Callout
1 System ID LED	2 System error LED
3 Ethernet link LED	4 Ethernet activity LED
5 Power input LED	6 Power output LED
7 Power supply error LED	

1 System ID LED

The blue system ID LED helps you to visually locate the server. A system ID LED is also located on the front of the server. Each time you press the system ID button, the state of both the system ID LEDs changes. The LEDs can be changed to on, blinking, or off. You can also use the Lenovo XClarity Controller or a remote management program to change the state of the system ID LEDs to assist in visually locating the server among other servers.

2 System error LED

The system error LED helps you to determine if there are any system errors. For details, see [“System error LED” on page 18](#).

3 Ethernet link LED

4 Ethernet activity LED

Each Ethernet connector has two status LEDs.

Ethernet status LED	Color	Status	Description
3 Ethernet link LED	Green	On	Network link is established.
	None	Off	Network link is disconnected.
4 Ethernet activity LED	Green	Blinking	Network link is connected and active.
	None	Off	The server is disconnected from a LAN.

5 6 7 Power supply LEDs

Each hot-swap power supply has three status LEDs.

LED	Description
5 Power input LED	<ul style="list-style-type: none"> • Green: The power supply is connected to the ac power source. • Off: The power supply is disconnected from the ac power source.
6 Power output LED	<ul style="list-style-type: none"> • Green: The server is on and the power supply is working normally. • Blinking green: The power supply is in the zero-output mode (standby). When the server power load is low, one of the installed power supplies enters into the standby state while the other one delivers the entire load. When the power load increases, the standby power supply will switch to active state to provide sufficient power to the system. <p>To disable zero-output mode, start the Setup utility, go to System Settings → Power → Zero Output and select Disable. If you disable the zero-out mode, both power supplies will be in the active state.</p> <ul style="list-style-type: none"> • Off: The server is powered off, or the power supply is not working properly. If the server is powered on but the LED is off, replace the power supply.
7 Power supply error LED	<ul style="list-style-type: none"> • Yellow: The power supply has failed. To resolve the issue, replace the power supply. • Off: The power supply is working normally

System board components

The illustration in this section shows the component locations on the system board.

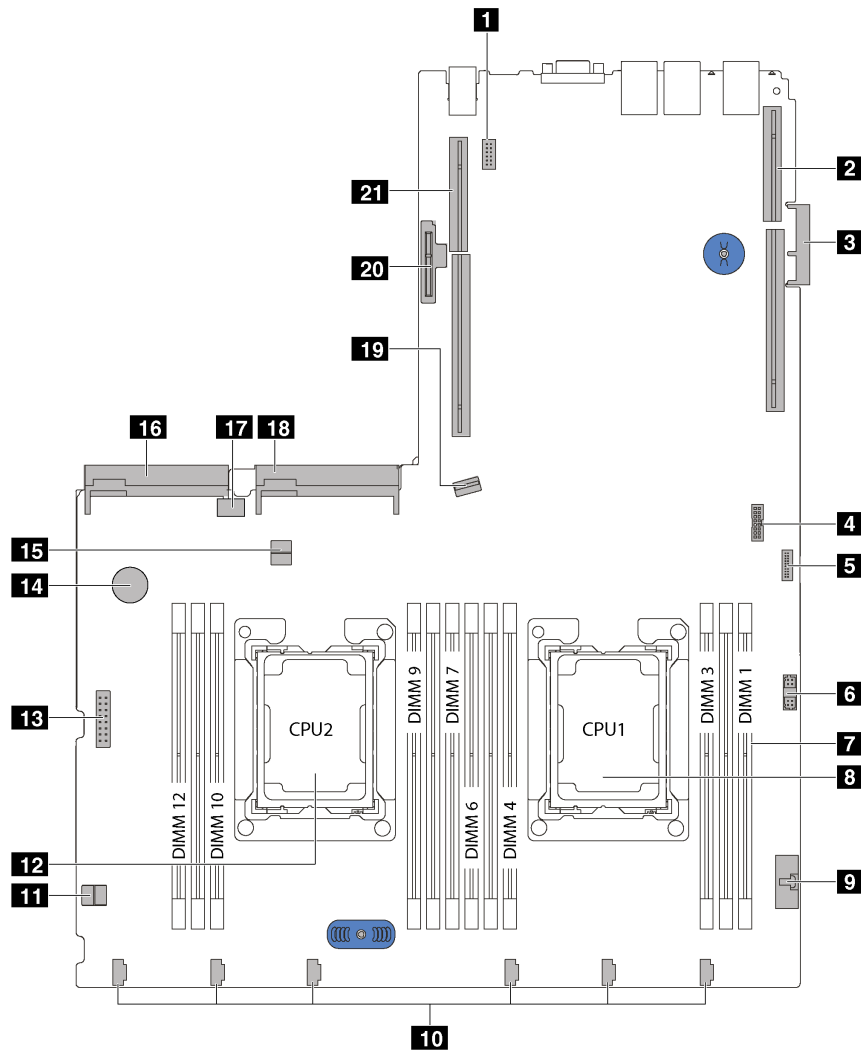


Figure 10. System board components

Callout	Callout
1 Serial-port-module connector	2 Riser 1 slot
3 LOM adapter connector	4 TCM ¹ /TPM ² connector (for Chinese Mainland only)
5 Front USB connector	6 Front VGA connector
7 DIMM slots	8 Processor 1 socket
9 Operator-information-panel connector	10 System fan connectors
11 Cable retainer	12 Processor 2 socket
13 Backplane power connector	14 CMOS battery
15 Cable retainer	16 Power supply 2 connector

Callout	Callout
17 Internal USB connector	18 Power supply 1 connector
19 SATA 0-3 connector	20 M.2 module slot
21 Riser 2 slot	

Notes:

- ¹ Trusted Cryptography Module
- ² Trusted Platform Module

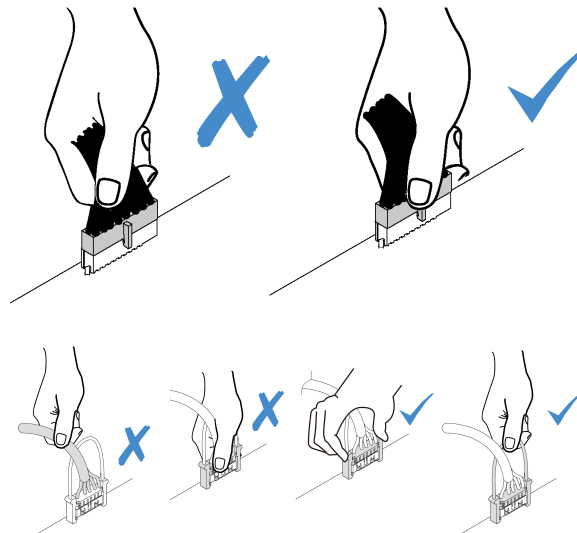
Internal cable routing

Some of the components in the server have internal cables and cable connectors.

To connect cables, observe the following guidelines:

- Power off the server before you connect or disconnect any internal cables.
- See the documentation that comes with any external devices for additional cabling instructions. It might be easier for you to route cables before you connect the devices to the server.
- Cable identifiers of some cables are printed on the cables that come with the server and optional devices. Use these identifiers to connect the cables to the correct connectors.
- Ensure that the relevant cables pass through the cable clips.

Note: Disengage all latches, release tabs, or locks on cable connectors when you disconnect cables from the system board. Failing to release them before removing the cables will damage the cable sockets on the system board, which are fragile. Any damage to the cable sockets might require replacing the system board.



VGA connector

Use this section to understand the cable routing for the video graphic adapter (VGA) connector.

Note: The VGA connector is available on some models.

Server models with 3.5-inch drive bays

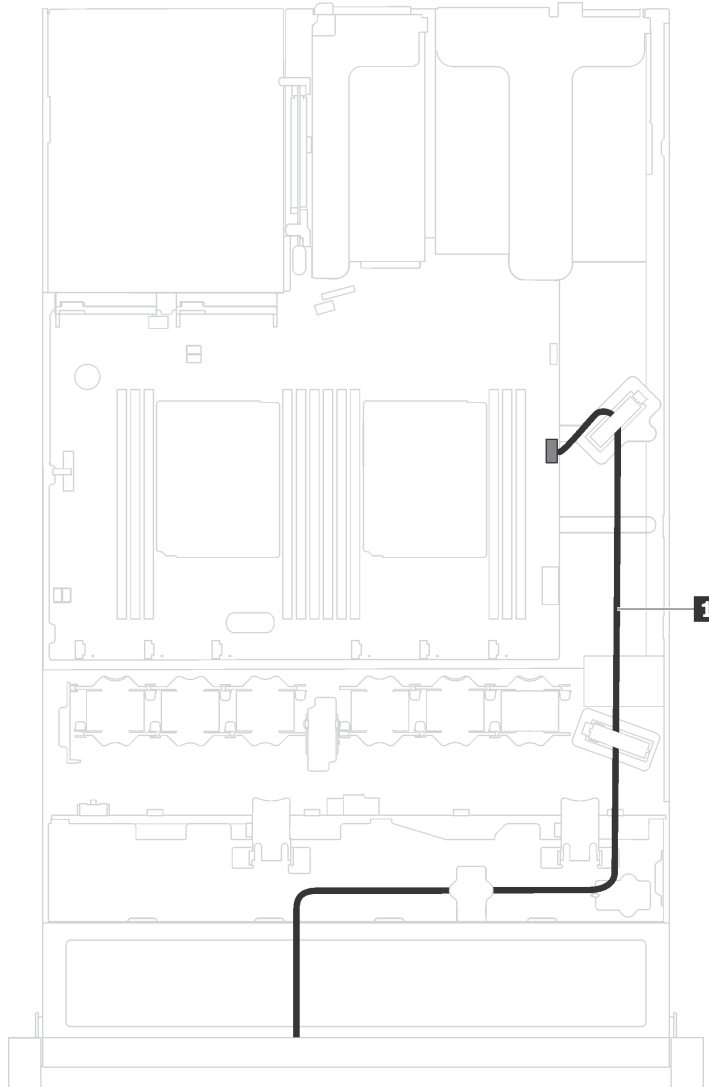


Figure 11. VGA connector cable routing

From	To
1 VGA cable	Front VGA connector on the system board

Server models with 2.5-inch drive bays

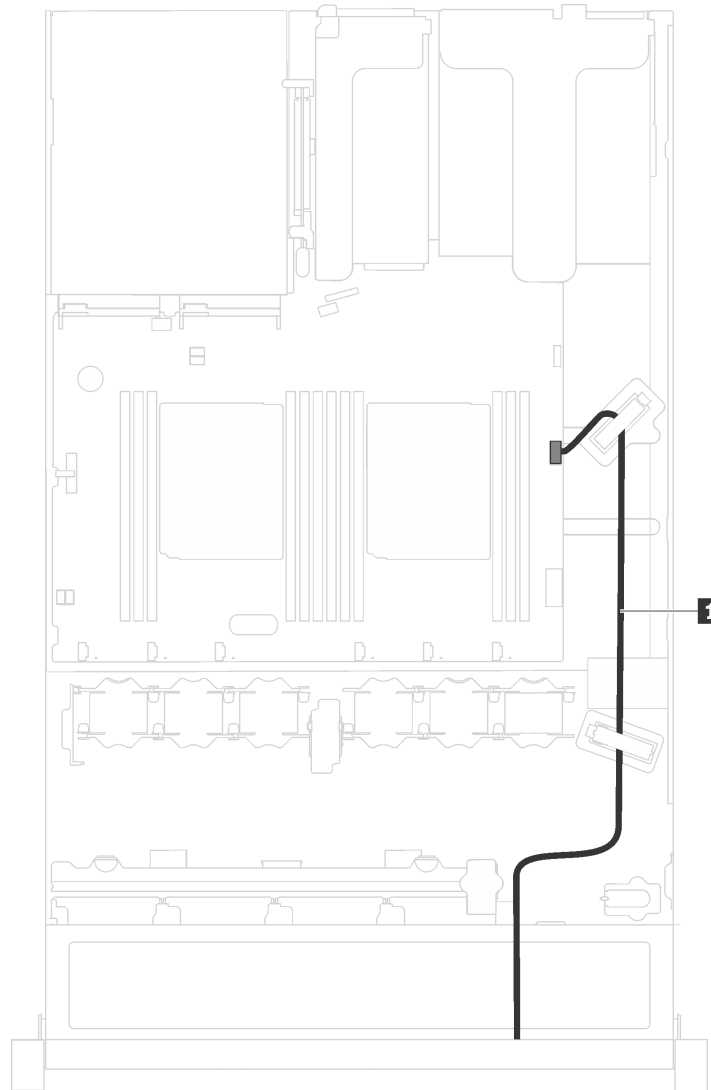


Figure 12. VGA connector cable routing

From	To
1 VGA cable	Front VGA connector on the system board

Front I/O assembly

Use this section to understand the cable routing for the front I/O assembly.

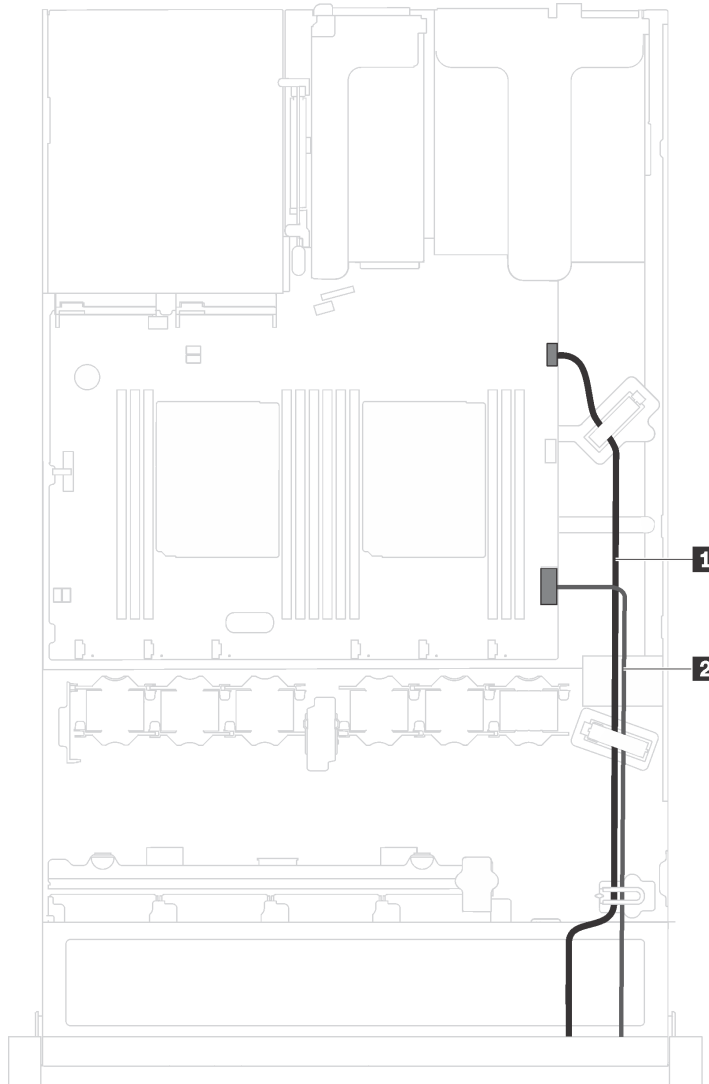


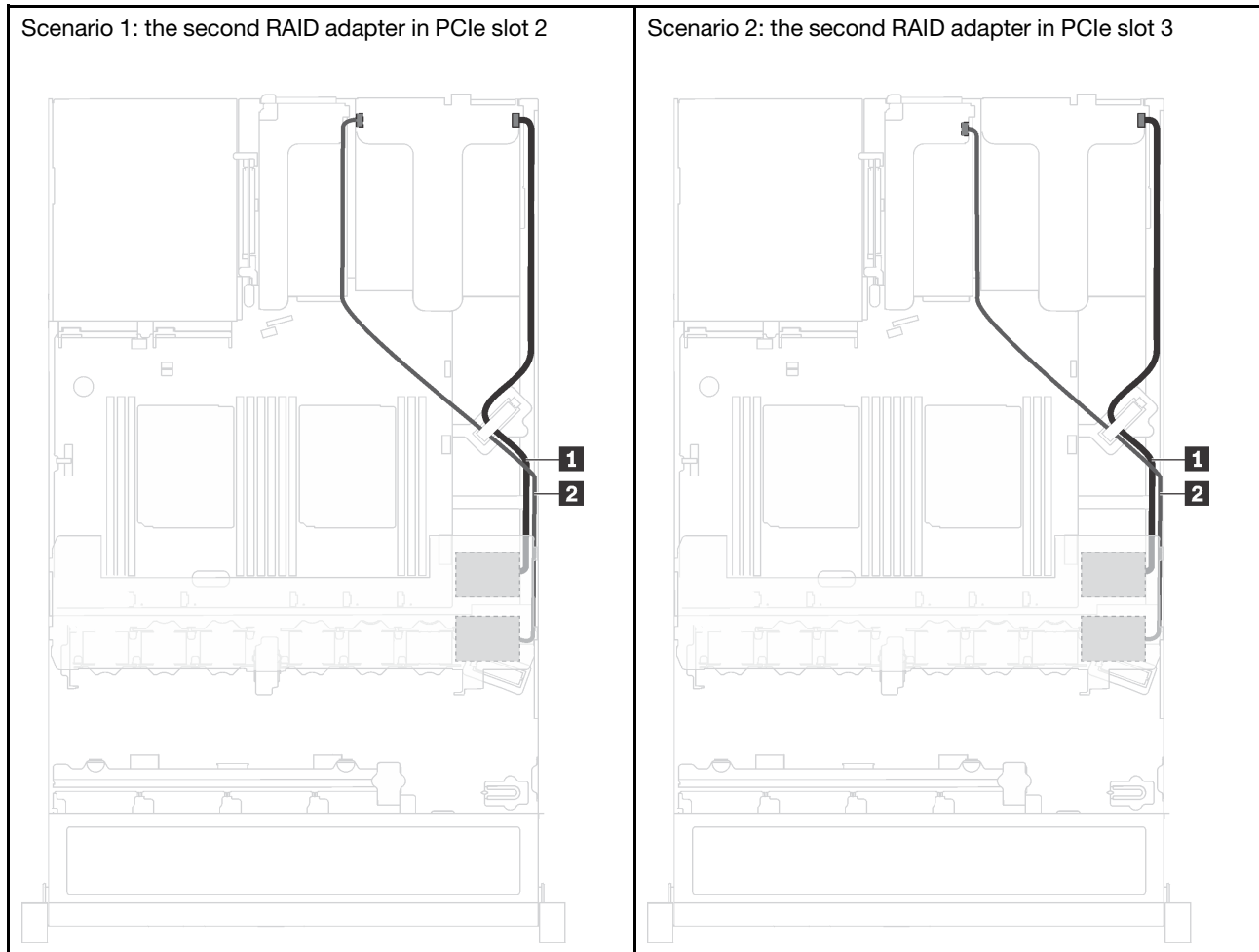
Figure 13. Cable routing for the front I/O assembly

From	To
1 Front USB cable	Front USB connector on the system board
2 Operator-information-panel cable	Operator-information-panel connector on the system board

RAID super capacitor module

Use this section to understand the cable routing for RAID super capacitor modules.

Your server supports up to two RAID super capacitor modules.



1 Cable routing for RAID super capacitor module 1

2 Cable routing for RAID super capacitor module 2

An extension cable is provided for each RAID super capacitor module for connection.

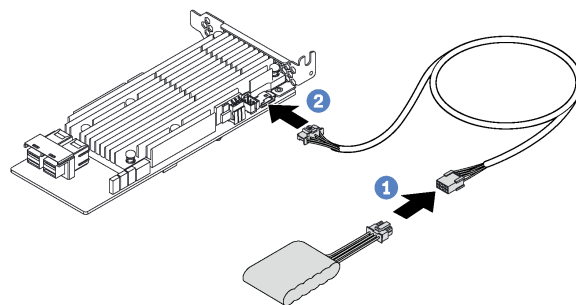


Figure 14. Connecting the RAID super capacitor module to the RAID adapter

Backplanes

Use this section to understand the cable routing for the backplanes.

Server model with eight 2.5-inch hot-swap drives

Use this section to understand the internal cable routing for the server model with eight 2.5-inch hot-swap drives.

The following illustration shows the cable routing for the server model with eight 2.5-inch hot-swap drives.

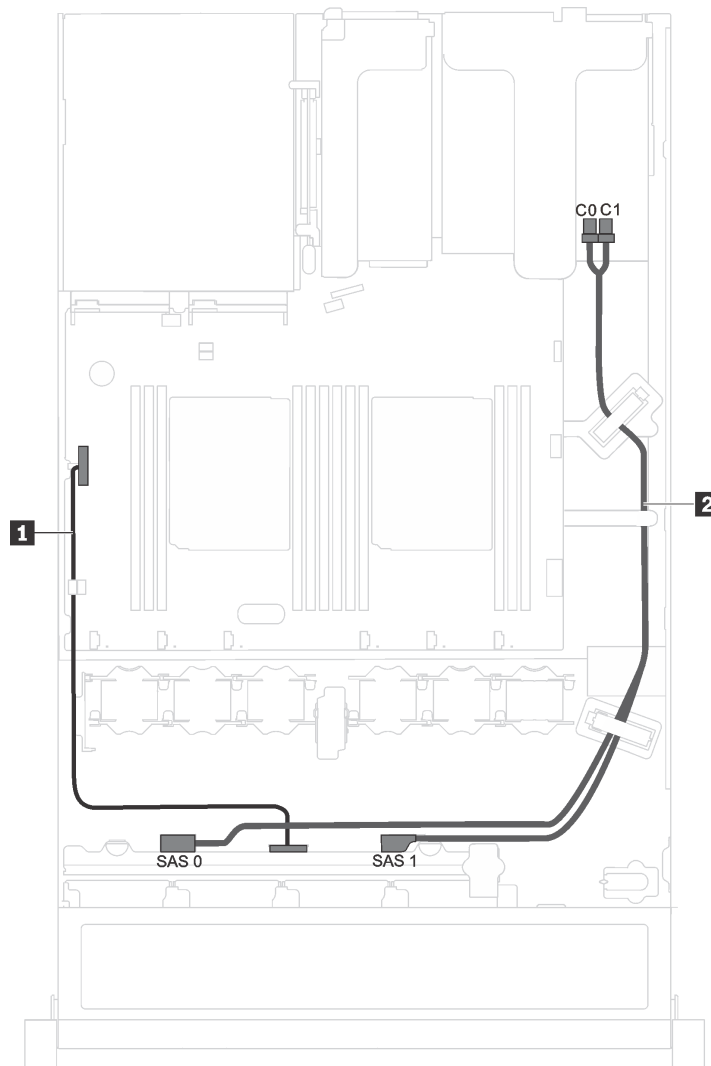


Figure 15. Cable routing for the server model with eight 2.5-inch hot-swap drives

Cable	From	To
1 Power cable	Power connector on the backplane	Backplane power connector on the system board
2 SAS signal cable*	SAS 0 and SAS 1 connectors on the backplane	HBA/RAID adapter: <ul style="list-style-type: none">• Gen 3: C0C1• Gen 4: C0

Note: *When Gen 4 HBA/RAID adapter is installed, ensure you use Gen 4 SAS signal cable (ThinkSystem SR530/SR570/SR630 2.5" SAS/SATA 8-Bay X40 RAID Cable Kit).

Server model with four 3.5-inch hot-swap drives

Use this section to understand the internal cable routing for the server model with four 3.5-inch hot-swap drives.

The following illustration shows the cable routing for the server model with four 3.5-inch hot-swap drives.

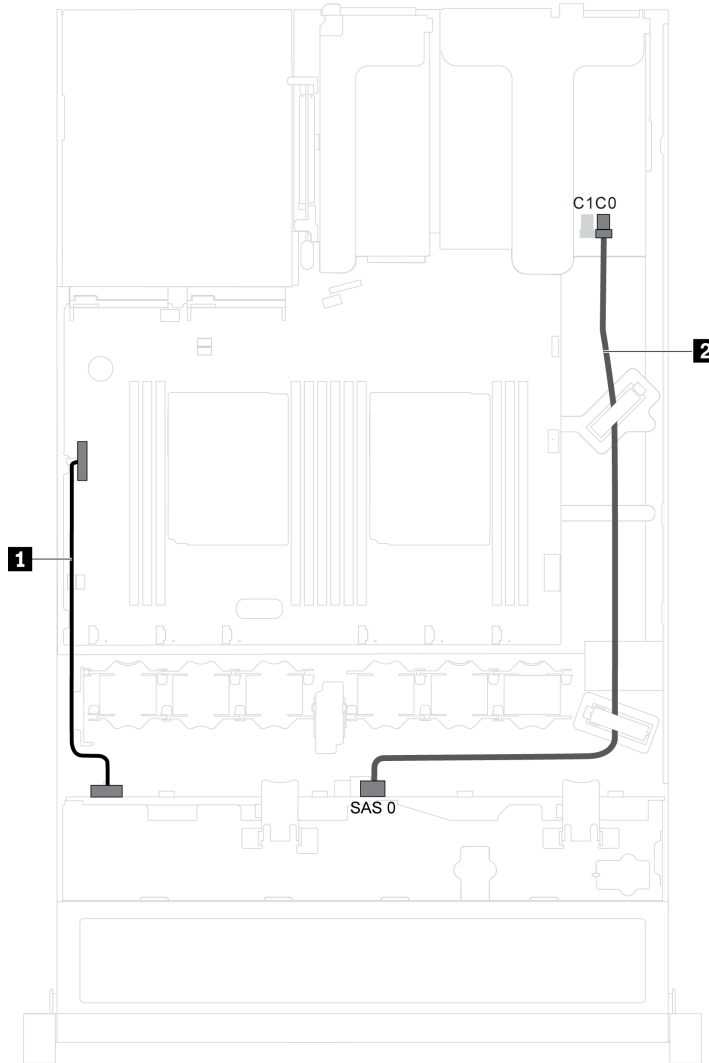


Figure 16. Cable routing for the server model with four 3.5-inch hot-swap drives

Cable	From	To
1 Power cable	Power connector on the backplane	Backplane power connector on the system board
2 SAS signal cable	SAS 0 connector on the backplane	HBA/RAID adapter: <ul style="list-style-type: none"> • Gen 3: C0 • Gen 4: C0

Server model with four 3.5-inch simple-swap drives

Use this section to understand the internal cable routing for the server model with four 3.5-inch simple-swap drives.

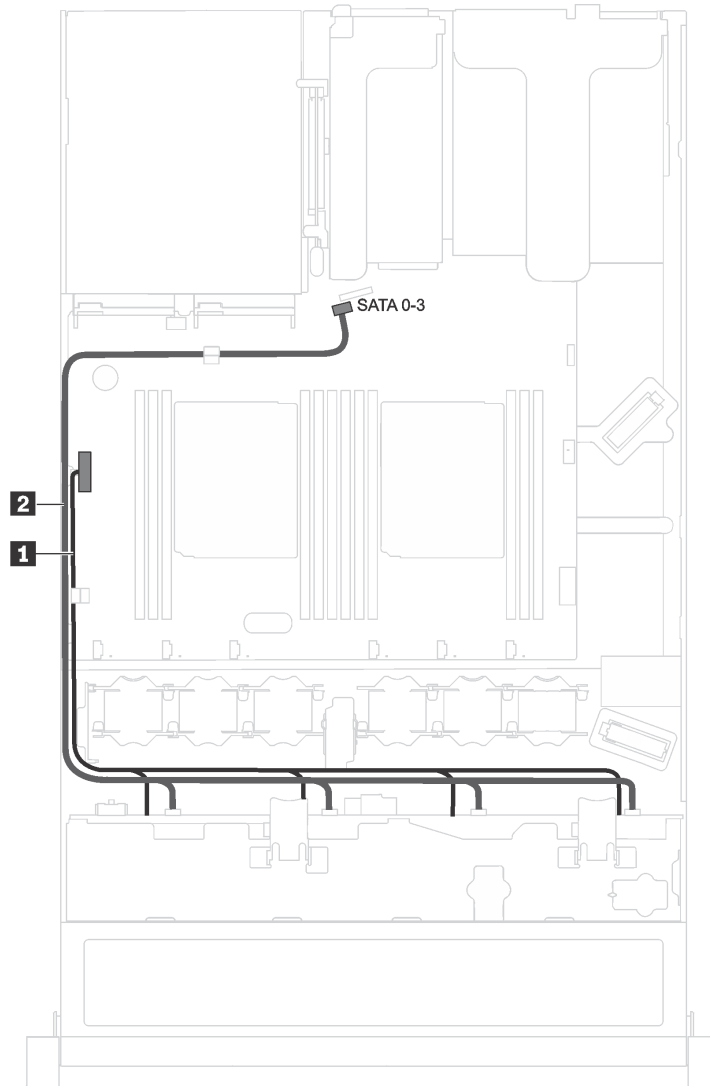


Figure 17. Cable routing for the server model with four 3.5-inch simple-swap drives

The simple-swap drive backplate assembly comes with a power cable and a SATA signal cable.

From	To
1 Power cable of the backplate assembly	Backplane power connector on the system board
2 SATA signal cable of the backplate assembly	SATA 0-3 connector on the system board

Parts list

Use the parts list to identify each of the components that are available for your server.

For more information about ordering the parts shown in [Figure 18 “Server components” on page 36](#), go to:

<http://datacentersupport.lenovo.com/us/en/products/servers/thinksystem/sr530/7x07/parts>

Note: Depending on the model, your server might look slightly different from the following illustration. Some of the components might not be available on your server.

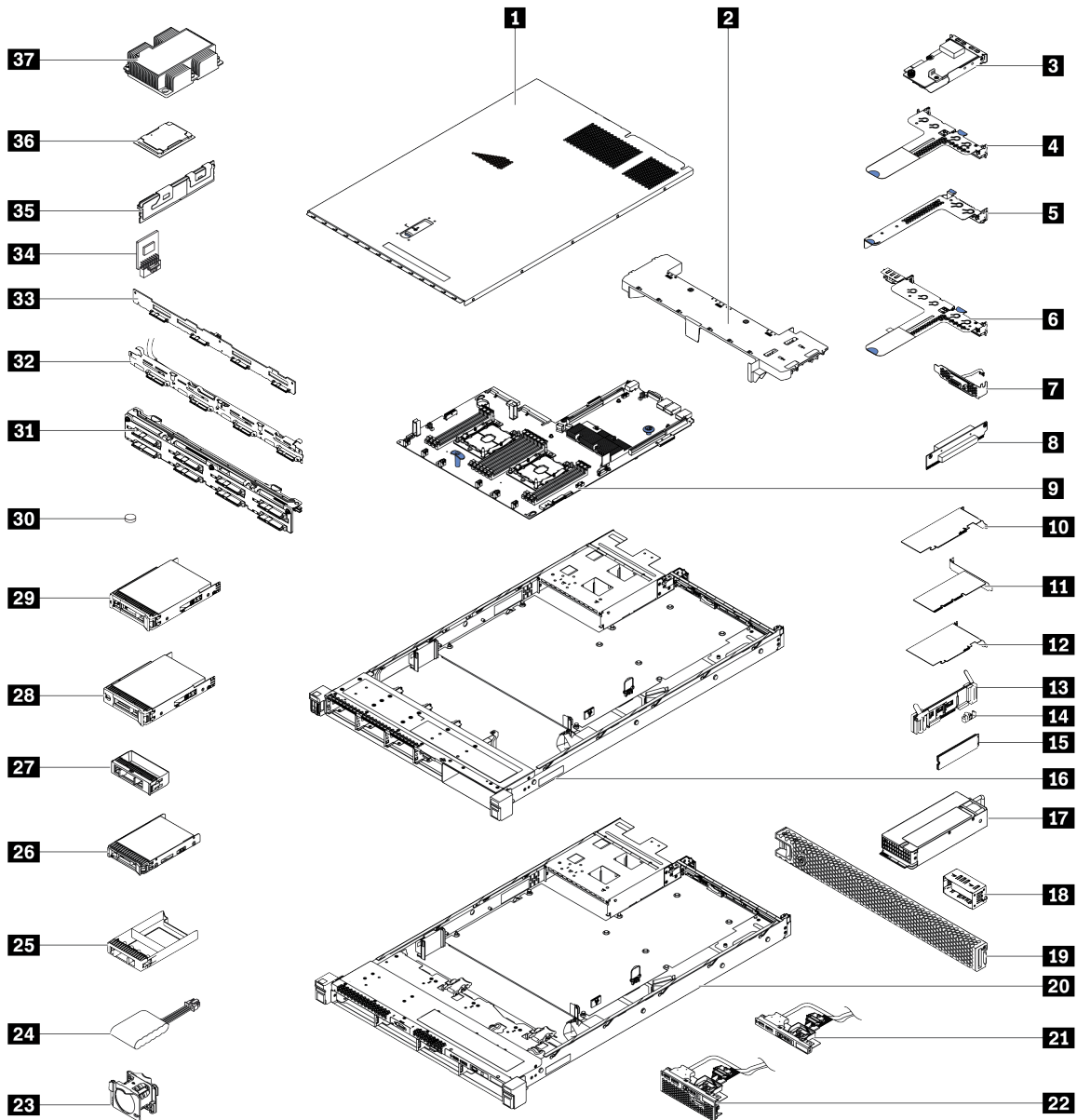


Figure 18. Server components

The parts listed in the following table are identified as one of the following:

- **Tier 1 customer replaceable unit (CRU):** Replacement of Tier 1 CRUs is your responsibility. If Lenovo installs a Tier 1 CRU at your request with no service agreement, you will be charged for the installation.
- **Tier 2 customer replaceable unit (CRU):** You may install a Tier 2 CRU yourself or request Lenovo to install it, at no additional charge, under the type of warranty service that is designated for your server.
- **Field replaceable unit (FRU):** FRUs must be installed only by trained service technicians.
- **Consumable and Structural parts:** Purchase and replacement of consumable and structural parts (components, such as a cover or bezel) is your responsibility. If Lenovo acquires or installs a structural component at your request, you will be charged for the service.

Table 8. Parts list

In- dex	Description	Tier 1 CRU	Tier 2 CRU	FRU	Consumable and Structural parts
For more information about ordering the parts shown in Figure 18 “Server components” on page 36, go to: http://datacentersupport.lenovo.com/us/en/products/servers/thinksystem/sr530/7x07/parts					
1	Top cover	√			
2	Air baffle				√
3	LOM adapter	√			
4	Riser 1 bracket (two low profile)	√			
5	Riser 2 bracket (one low profile)	√			
6	Riser 1 bracket (one low-profile and one full-height half-length)	√			
7	Serial port module	√			
8	Riser card	√			
9	System board			√	
10	Low-profile PCIe adapter	√			
11	ML2 adapter	√			
12	Full-height half-length PCIe adapter	√			
13	M.2 backplane	√			
14	M.2 retainer	√			
15	M.2 drive	√			
16	Chassis with eight 2.5-inch drive bays			√	
17	Power supply	√			
18	Power supply filler				√
19	Security bezel	√			
20	Chassis with four 3.5-inch drive bays			√	
21	Front I/O assembly for server models with 3.5-inch drive bays	√			
22	Front I/O assembly for server models with 2.5-inch drive bays	√			

Table 8. Parts list (continued)

Index	Description	Tier 1 CRU	Tier 2 CRU	FRU	Consumable and Structural parts
23	System fan	√			
24	RAID super capacitor module	√			
25	2.5-inch drive filler				√
26	2.5-inch hot-swap drive	√			
27	3.5-inch drive filler				√
28	3.5-inch simple-swap drive	√			
29	3.5-inch hot-swap drive	√			
30	CMOS battery (CR2032)				√
31	Backplane for eight hot-swap 2.5-inch drives	√			
32	Simple-swap drive backplate assembly	√			
33	Backplane for four hot-swap 3.5-inch drives	√			
34	TCM/TPM adapter (for Chinese Mainland only)			√	
35	DIMM	√			
36	Processor			√	
37	Processor heat sink			√	

Power cords

Several power cords are available, depending on the country and region where the server is installed.

To view the power cords that are available for the server:

1. Go to:

<http://dcsc.lenovo.com/#/>

2. Click **Preconfigured Model** or **Configure to order**.

3. Enter the machine type and model for your server to display the configurator page.

4. Click **Power** → **Power Cables** to see all line cords.

Notes:

- For your safety, a power cord with a grounded attachment plug is provided to use with this product. To avoid electrical shock, always use the power cord and plug with a properly grounded outlet.
- Power cords for this product that are used in the United States and Canada are listed by Underwriter's Laboratories (UL) and certified by the Canadian Standards Association (CSA).
- For units intended to be operated at 115 volts: Use a UL-listed and CSA-certified cord set consisting of a minimum 18 AWG, Type SVT or SJT, three-conductor cord, a maximum of 15 feet in length and a parallel blade, grounding-type attachment plug rated 15 amperes, 125 volts.
- For units intended to be operated at 230 volts (U.S. use): Use a UL-listed and CSA-certified cord set consisting of a minimum 18 AWG, Type SVT or SJT, three-conductor cord, a maximum of 15 feet in length and a tandem blade, grounding-type attachment plug rated 15 amperes, 250 volts.
- For units intended to be operated at 230 volts (outside the U.S.): Use a cord set with a grounding-type attachment plug. The cord set should have the appropriate safety approvals for the country in which the equipment will be installed.
- Power cords for a specific country or region are usually available only in that country or region.

Chapter 3. Server hardware setup

To set up the server, install any options that have been purchased, cable the server, configure and update the firmware, and install the operating system.

Server setup checklist

Use the server setup checklist to ensure that you have performed all tasks that are required to set up your server.

The server setup procedure varies depending on the configuration of the server when it was delivered. In some cases, the server is fully configured and you just need to connect the server to the network and an ac power source, and then you can power on the server. In other cases, the server needs to have hardware options installed, requires hardware and firmware configuration, and requires an operating system to be installed.

The following steps describe the general procedure for setting up a server:

1. Unpack the server package. See [“Server package contents” on page 3](#).
2. Set up the server hardware.
 - a. Install any required hardware or server options. See the related topics in [“Install server hardware options” on page 45](#).
 - b. If necessary, install the server into a standard rack cabinet by using the rail kit shipped with the server. See the *Rack Installation Guide* that comes with optional rail kit.
 - c. Connect the Ethernet cables and power cords to the server. See [“Rear view” on page 19](#) to locate the connectors. See [“Cable the server” on page 80](#) for cabling best practices.
 - d. Power on the server. See [“Power on the server” on page 81](#).

Note: You can access the management processor interface to configure the system without powering on the server. Whenever the server is connected to power, the management processor interface is available. For details about accessing the management server processor, see:

http://sysmgt.lenovofiles.com/help/topic/com.lenovo.systems.management.xcc.doc/dw11m_c_chapter2_openingandusing.html

- e. Validate that the server hardware was set up successfully. See [“Validate server setup” on page 81](#).
3. Configure the system.
 - a. Connect the Lenovo XClarity Controller to the management network. See [“Set the network connection for the Lenovo XClarity Controller” on page 83](#).
 - b. Update the firmware for the server, if necessary. See [“Update the firmware” on page 84](#).
 - c. Configure the firmware for the server. See [“Configure the firmware” on page 87](#).

The following information is available for RAID configuration:

- <https://lenovopress.com/lp0578-lenovo-raid-introduction>
 - <https://lenovopress.com/lp0579-lenovo-raid-management-tools-and-resources>
- d. Install the operating system. See [“Deploy the operating system” on page 89](#).
 - e. Back up the server configuration. See [“Back up the server configuration” on page 90](#).
 - f. Install the applications and programs for which the server is intended to be used.

Installation Guidelines

Use the installation guidelines to install components in your server.

Before installing optional devices, read the following notices carefully:

Attention: Prevent exposure to static electricity, which might lead to system halt and loss of data, by keeping static-sensitive components in their static-protective packages until installation, and handling these devices with an electrostatic-discharge wrist strap or other grounding system.

- Read the safety information and guidelines to ensure that you work safely.
 - http://thinksystem.lenovofiles.com/help/topic/safety_documentation/pdf_files.html
 - “Handling static-sensitive devices” on page 44
 - “Working inside the server with the power on” on page 44
- Make sure the components you are installing are supported by the server. For a list of supported optional components for the server, see <https://static.lenovo.com/us/en/serverproven/index.shtml>.
- When you install a new server, download and apply the latest firmware. This will help ensure that any known issues are addressed, and that your server is ready to work with optimal performance. Go to [ThinkSystem SR530 Drivers and Software](#) to download firmware updates for your server.

Important: Some cluster solutions require specific code levels or coordinated code updates. If the component is part of a cluster solution, verify that the latest level of code is supported for the cluster solution before you update the code.

- It is good practice to make sure that the server is working correctly before you install an optional component.
- Keep the working area clean, and place removed components on a flat and smooth surface that does not shake or tilt.
- Do not attempt to lift an object that might be too heavy for you. If you have to lift a heavy object, read the following precautions carefully:
 - Make sure that you can stand steadily without slipping.
 - Distribute the weight of the object equally between your feet.
 - Use a slow lifting force. Never move suddenly or twist when you lift a heavy object.
 - To avoid straining the muscles in your back, lift by standing or by pushing up with your leg muscles.
- Make sure that you have an adequate number of properly grounded electrical outlets for the server, monitor, and other devices.
- Back up all important data before you make changes related to the disk drives.
- Have a small flat-blade screwdriver, a small Phillips screwdriver, and a T8 torx screwdriver available.
- To view the error LEDs on the system board and internal components, leave the power on.
- You do not have to turn off the server to remove or install hot-swap power supplies, hot-swap fans, or hot-plug USB devices. However, you must turn off the server before you perform any steps that involve removing or installing adapter cables, and you must disconnect the power source from the server before you perform any steps that involve removing or installing a riser card.
- Blue on a component indicates touch points, where you can grip to remove a component from or install it in the server, open or close a latch, and so on.
- Orange on a component or an orange label on or near a component indicates that the component can be hot-swapped if the server and operating system support hot-swap capability, which means that you can remove or install the component while the server is still running. (Orange can also indicate touch points on

hot-swap components.) See the instructions for removing or installing a specific hot-swap component for any additional procedures that you might have to perform before you remove or install the component.

- The Red strip on the drives, adjacent to the release latch, indicates that the drive can be hot-swapped if the server and operating system support hot-swap capability. This means that you can remove or install the drive while the server is still running.

Note: See the system specific instructions for removing or installing a hot-swap drive for any additional procedures that you might need to perform before you remove or install the drive.

- After finishing working on the server, make sure you reinstall all safety shields, guards, labels, and ground wires.

Safety inspection checklist

Use the information in this section to identify potentially unsafe conditions with your server. As each machine was designed and built, required safety items were installed to protect users and service technicians from injury.

Notes:

1. The product is not suitable for use at visual display workplaces according to §2 of the Workplace Regulations.
2. The set-up of the server is made in the server room only.

CAUTION:

This equipment must be installed or serviced by trained personnel, as defined by the NEC, IEC 62368-1 & IEC 60950-1, the standard for Safety of Electronic Equipment within the Field of Audio/Video, Information Technology and Communication Technology. Lenovo assumes you are qualified in the servicing of equipment and trained in recognizing hazards energy levels in products. Access to the equipment is by the use of a tool, lock and key, or other means of security, and is controlled by the authority responsible for the location.

Important: Electrical grounding of the server is required for operator safety and correct system function. Proper grounding of the electrical outlet can be verified by a certified electrician.

Use the following checklist to verify that there are no potentially unsafe conditions:

1. Make sure that the power is off and the power cord is disconnected.
2. Check the power cord.
 - Make sure that the third-wire ground connector is in good condition. Use a meter to measure third-wire ground continuity for 0.1 ohm or less between the external ground pin and the frame ground.
 - Make sure that the power cord is the correct type.

To view the power cords that are available for the server:

- a. Go to:
<http://dcsc.lenovo.com/#/>
 - b. In the Customize a Model pane:
 - 1) Click **Select Options/Parts for a Model**.
 - 2) Enter the machine type and model for your server.
 - c. Click the Power tab to see all line cords.
- Make sure that the insulation is not frayed or worn.
3. Check for any obvious non-Lenovo alterations. Use good judgment as to the safety of any non-Lenovo alterations.

4. Check inside the server for any obvious unsafe conditions, such as metal filings, contamination, water or other liquid, or signs of fire or smoke damage.
5. Check for worn, frayed, or pinched cables.
6. Make sure that the power-supply cover fasteners (screws or rivets) have not been removed or tampered with.

System reliability guidelines

The system reliability guidelines to ensure proper system cooling.

Make sure the following requirements are met:

- When the server comes with redundant power, a power supply must be installed in each power-supply bay.
- Adequate space around the server must be spared to allow server cooling system to work properly. Leave approximately 50 mm (2.0 in.) of open space around the front and rear of the server. Do not place any object in front of the fans.
- For proper cooling and airflow, refit the server cover before you turn the power on. Do not operate the server for more than 30 minutes with the server cover removed, for it might damage server components.
- Cabling instructions that come with optional components must be followed.
- A failed fan must be replaced within 48 hours since malfunction.
- A removed hot-swap fan must be replaced within 30 seconds after removal.
- A removed hot-swap drive must be replaced within two minutes after removal.
- A removed hot-swap power supply must be replaced within two minutes after removal.
- Every air baffle that comes with the server must be installed when the server starts (some servers might come with more than one air baffle). Operating the server with a missing air baffle might damage the processor.
- All processor sockets must contain either a socket cover or a processor with heat sink.
- When more than one processor is installed, fan population rules for each server must be strictly followed.

Working inside the server with the power on

Guidelines to work inside the server with the power on.

Attention: The server might stop and loss of data might occur when internal server components are exposed to static electricity. To avoid this potential problem, always use an electrostatic-discharge wrist strap or other grounding systems when working inside the server with the power on.

- Avoid loose-fitting clothing, particularly around your forearms. Button or roll up long sleeves before working inside the server.
- Prevent your necktie, scarf, badge rope, or long hair from dangling into the server.
- Remove jewelry, such as bracelets, necklaces, rings, cuff links, and wrist watches.
- Remove items from your shirt pocket, such as pens and pencils, in case they fall into the server as you lean over it.
- Avoid dropping any metallic objects, such as paper clips, hairpins, and screws, into the server.

Handling static-sensitive devices

Use this information to handle static-sensitive devices.

Attention: Prevent exposure to static electricity, which might lead to system halt and loss of data, by keeping static-sensitive components in their static-protective packages until installation, and handling these devices with an electrostatic-discharge wrist strap or other grounding system.

- Limit your movement to prevent building up static electricity around you.
- Take additional care when handling devices during cold weather, for heating would reduce indoor humidity and increase static electricity.
- Always use an electrostatic-discharge wrist strap or other grounding system, particularly when working inside the server with the power on.
- While the device is still in its static-protective package, touch it to an unpainted metal surface on the outside of the server for at least two seconds. This drains static electricity from the package and from your body.
- Remove the device from the package and install it directly into the server without putting it down. If it is necessary to put the device down, put it back into the static-protective package. Never place the device on the server or on any metal surface.
- When handling a device, carefully hold it by the edges or the frame.
- Do not touch solder joints, pins, or exposed circuitry.
- Keep the device from others' reach to prevent possible damages.

Install server hardware options

This section includes instructions for performing initial installation of optional hardware. Each component installation procedure references any tasks that need to be performed to gain access to the component being replaced.

Installation procedures are presented in the optimum sequence to minimize work.

Attention: To ensure the components you install work correctly without problems, read the following precautions carefully.

- Make sure the components you are installing are supported by the server. For a list of supported optional components for the server, see <https://static.lenovo.com/us/en/serverproven/index.shtml>.
- Always download and apply the latest firmware. This will help ensure that any known issues are addressed, and that your server is ready to work with optimal performance. Go to [ThinkSystem SR530 Drivers and Software](#) to download firmware updates for your server.
- It is good practice to make sure that the server is working correctly before you install an optional component.
- Follow the installation procedures in this section and use appropriate tools. Incorrectly installed components can cause system failure from damaged pins, damaged connectors, loose cabling, or loose components.

Remove the security bezel

Use this information to remove the security bezel.



To remove the security bezel, complete the following steps:

Watch the procedure

A video of this procedure is available at https://www.youtube.com/playlist?list=PLYV5R7hVcs-AQrHuDWK6L3KtHWc6maY_O.

Step 1. Use the key to unlock the security bezel.

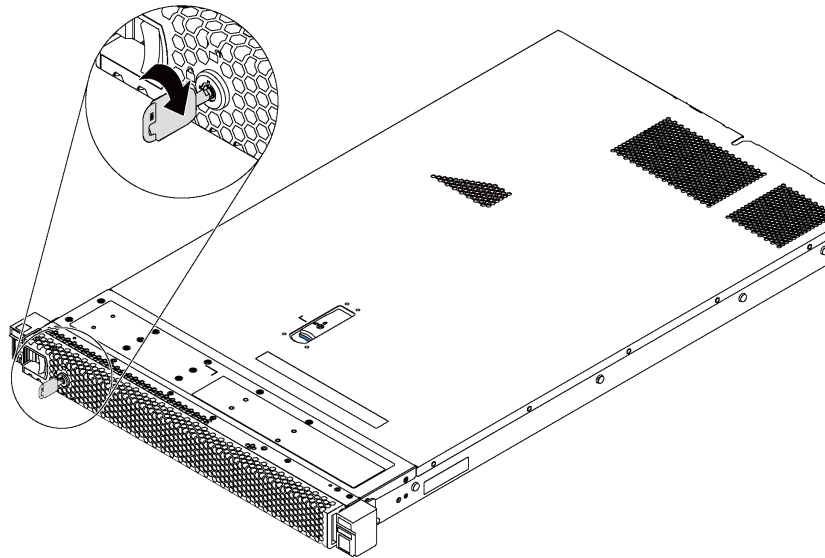


Figure 19. Security bezel unlock

Step 2. Press the blue release latch **1** and pivot the security bezel outward to remove it from the chassis.

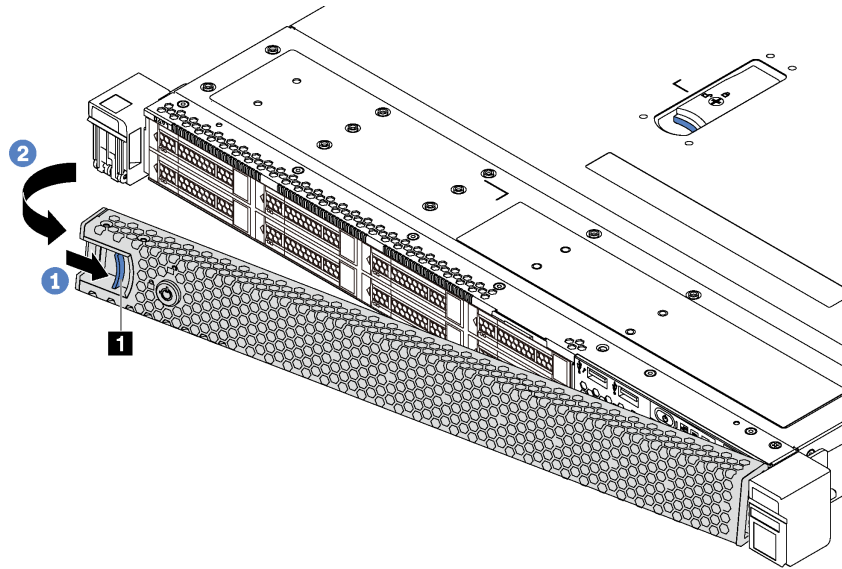





Figure 20. Security bezel removal

Attention: Before you ship the rack with the server installed, reinstall and lock the security bezel into place.

Remove the top cover

Use this information to remove the top cover.

	<p>“Read the installation Guidelines” on page 42</p>		<p>“Power off the server for this task” on page 81</p>		<p>“ATTENTION: Static Sensitive Device Ground package before opening” on page 44</p>
---	--	---	--	--	--

S033



CAUTION: Hazardous energy present. Voltages with hazardous energy might cause heating when shorted with metal, which might result in spattered metal, burns, or both.

S014



CAUTION:

Hazardous voltage, current, and energy levels might be present. Only a qualified service technician is authorized to remove the covers where the label is attached.

To remove the top cover, complete the following steps:

Watch the procedure

A video of this procedure is available at https://www.youtube.com/playlist?list=PLYV5R7hVcs-AQrHuDWK6L3KtHWc6maY_O.

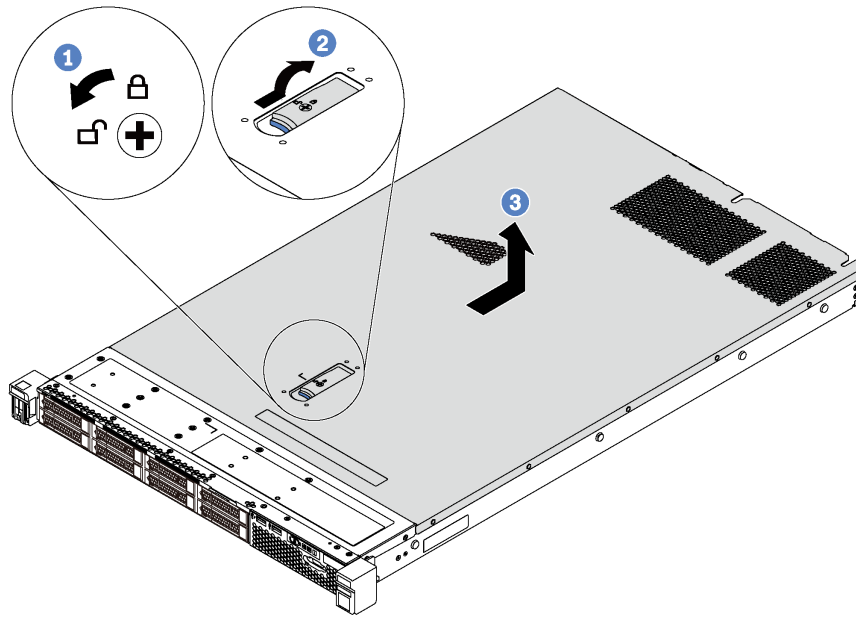


Figure 21. Top cover removal

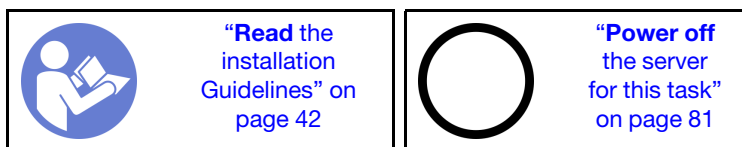
- Step 1. Use a screwdriver to turn the cover lock to the open position.
- Step 2. Press the blue button on the cover latch and open the cover latch.
- Step 3. Slide the cover to the rear until it is disengaged from the chassis. Then, lift the cover off the chassis and place it on a flat clean surface.

Attention:

- Handle the top cover carefully. Dropping the top cover with the cover latch open might damage the cover latch.
- For proper cooling and airflow, install the top cover before you power on the server.

Remove the air baffle

Use this information to remove the air baffle.



S033



CAUTION:

Hazardous energy present. Voltages with hazardous energy might cause heating when shorted with metal, which might result in spattered metal, burns, or both.

S017



CAUTION:

Hazardous moving fan blades nearby. Keep fingers and other body parts away.

To remove the air baffle, complete the following steps:

Watch the procedure

A video of this procedure is available at https://www.youtube.com/playlist?list=PLYV5R7hVcs-AQrHuDWK6L3KtHWc6maY_O.

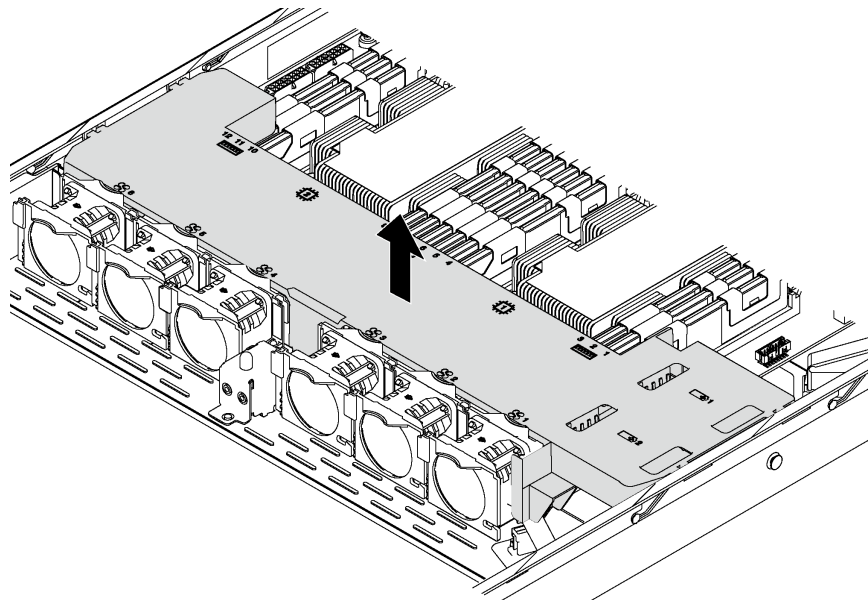


Figure 22. Air baffle removal

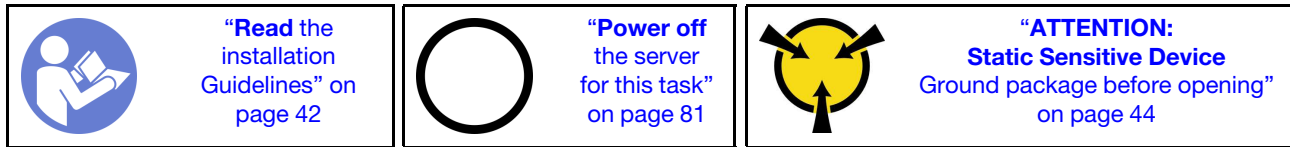
- Step 1. If the server has a RAID super capacitor module installed underneath the air baffle, disconnect its cable from the extension cable.
- Step 2. Grasp the air baffle and carefully lift it out of the server.

After removing the air baffle, begin installing any options that you have purchased.

Install a processor-heat-sink module

The processor and heat sink are installed together as part of a processor-heat-sink-module (PHM) assembly. PHM installation requires a Torx T30 driver.

Note: If you are installing multiple options relating to the system board, the PHM installation should be performed first.



Attention:

- Intel Xeon SP Gen 2 processors are supported on the system board with part number 01PE840. If you use the system board with part number 00MX681, update your system firmware to the latest level before installing an Intel Xeon SP Gen 2 processor. Otherwise, the system cannot be powered on.
- Each processor socket must always contain a cover or a PHM. When removing or installing a PHM, protect empty processor sockets with a cover.
- Do not touch the processor socket or processor contacts. Processor-socket contacts are very fragile and easily damaged. Contaminants on the processor contacts, such as oil from your skin, can cause connection failures.
- Remove and install only one PHM at a time. If the system board supports multiple processors, install the PHMs starting with the first processor socket.
- Do not allow the thermal grease on the processor or heat sink to come in contact with anything. Contact with any surface can compromise the thermal grease, rendering it ineffective. Thermal grease can damage components, such as electrical connectors in the processor socket. Do not remove the grease cover from a heat sink until you are instructed to do so.
- To ensure the best performance, check the manufacturing date on the new heat sink and make sure it does not exceed 2 years. Otherwise, wipe off the existing thermal grease and apply the new grease onto it for optimal thermal performance.

Notes:

- PHMs are keyed for the socket where they can be installed and for their orientation in the socket.
- See <https://static.lenovo.com/us/en/serverproven/index.shtml> for a list of processors supported for your server. All processors on the system board must have the same speed, number of cores, and frequency.
- If you are going to install one of the following processors, replace your heat sink with a heat pipe heat sink (part number: 01KP650 or 01KP651):
 - Intel Xeon Platinum 8156 4C 105W 3.6 GHz processor
 - Intel Xeon Platinum 8256 4C 105W 3.8 GHz processor
 - Intel Xeon Gold 5120T 14C 105W 2.2 GHz processor
 - Intel Xeon Gold 5122 4C 105W 3.6 GHz processor
 - Intel Xeon Gold 5217 8C 115W 3.0 GHz processor
 - Intel Xeon Gold 5218T 16C 105W 2.1GHz processor
 - Intel Xeon Gold 5220T 18C 105W 2.2 GHz processor
 - Intel Xeon Gold 5222 4C 105W 3.8 GHz processor
 - Intel Xeon Gold 6126T 12C 125W 2.6 GHz processor
 - Intel Xeon Gold 6128 6C 115W 3.4 GHz processor

- Intel Xeon Gold 6130T 16C 125W 2.1 GHz processor
 - Intel Xeon Gold 6138T 20C 125W 2.0 GHz processor
 - Intel Xeon Gold 6230N 20C 125W 2.3 GHz processor
 - Intel Xeon Gold 6230T 20C 125W 2.1 GHz processor
 - Intel Xeon Gold 6238T 22C 125W 1.9 GHz processor
- Before you install a new PHM or replacement processor, update your system firmware to the latest level. See [“Update the firmware” on page 84](#).
 - Installing an additional PHM can change the memory requirements for your system. See [“Memory module installation rules” on page 54](#) for a list of processor-to-memory relationships.
 - Optional devices available for your system might have specific processor requirements. See the documentation that comes with the optional device for information.

Complete the following steps to install a PHM.

Watch the procedure

A video of this procedure is available at https://www.youtube.com/playlist?list=PLYV5R7hVcs-AQrHuDWK6L3KtHWc6maY_O.

- Step 1. Remove the processor socket cover, if one is installed on the processor socket, by placing your fingers in the half-circles at each end of the cover and lifting it from the system board.
- Step 2. Install the processor-heat-sink module on the system board.

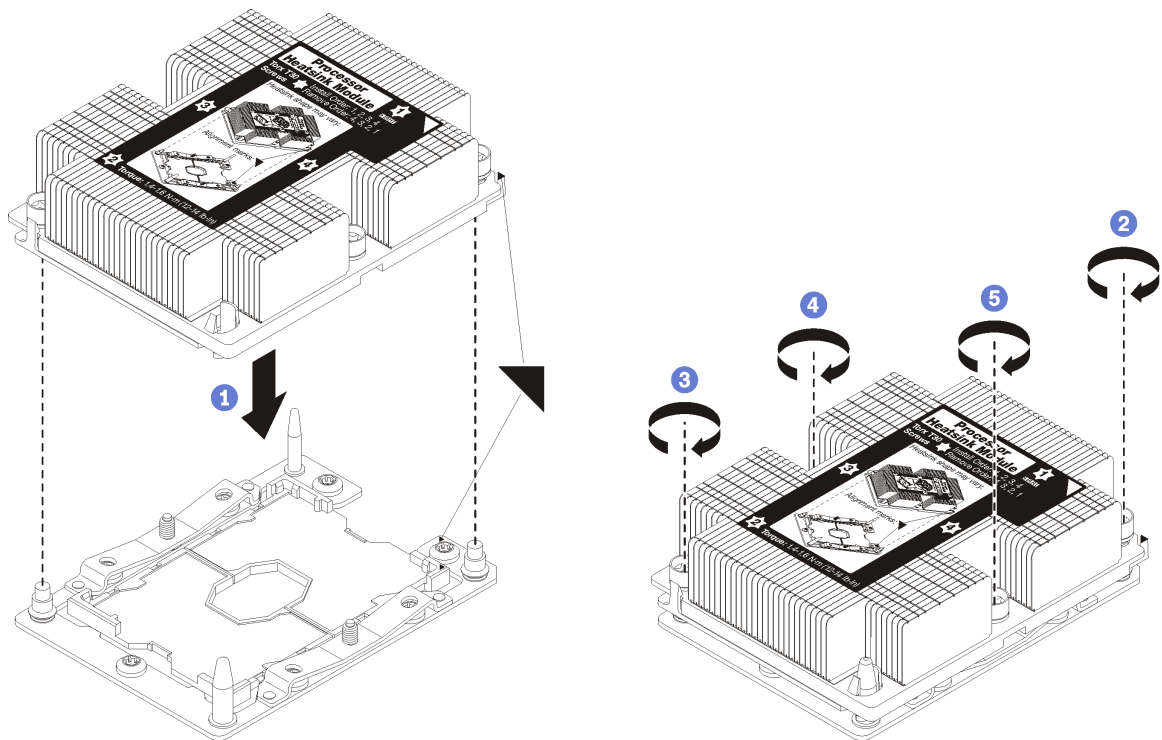


Figure 23. Installing a PHM

- a. Align the triangular marks and guide pins on the processor socket with the PHM; then, insert the PHM into the processor socket.

Attention: To prevent damage to components, make sure that you follow the indicated tightening sequence.

- b. Fully tighten the Torx T30 captive fasteners *in the installation sequence shown* on the heat-sink label. Tighten the screws until they stop; then, visually inspect to make sure that there is no gap between the screw shoulder beneath the heat sink and the processor socket. (For reference, the torque required for the nuts to fully tighten is 1.4 – 1.6 newton-meters, 12 – 14 inch-pounds).

After installing the PHM option:

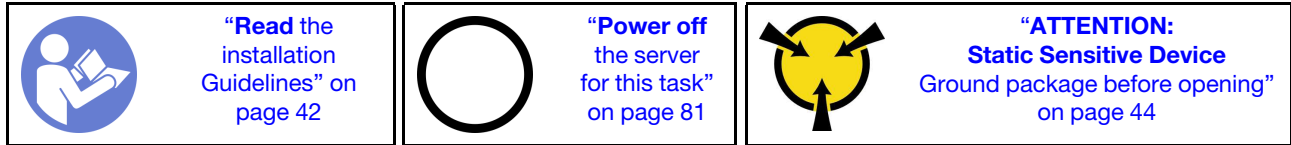
1. Remove the fan filler and install two new system fans that come with the processor option kit. See [“Install a system fan” on page 59](#).

Note: The Intel Xeon SP Gen 2 processor does not come with a system fan. If you are installing a Intel Xeon SP Gen 2 processor, ensure that you have ordered the ThinkSystem SR530 FAN Option Kit and install it.

2. If there are memory modules to install, install them. See [“Install a memory module” on page 53](#).

Install a memory module

Use this information to install a memory module.



Attention:

- Disconnect all power cords for this task.
- Memory modules are sensitive to static discharge and require special handling. Refer to the standard guidelines for [Handling static-sensitive devices](#):
 - Always wear an electrostatic-discharge strap when removing or installing memory modules. Electrostatic-discharge gloves can also be used.
 - Never hold two or more memory modules together so that they do not touch each other. Do not stack memory modules directly on top of each other during storage.
 - Never touch the gold memory module connector contacts or allow these contacts to touch the outside of the memory module connector housing.
 - Handle memory modules with care: never bend, twist, or drop a memory module.
 - Do not use any metal tools (such as jigs or clamps) to handle the memory modules, because the rigid metals may damage the memory modules.
 - Do not insert memory modules while holding packages or passive components, which can cause package cracks or detachment of passive components by the high insertion force.

Before installing a memory module:

1. Touch the static-protective package that contains the new memory module to any unpainted surface on the outside of the server. Then, take the new memory module out of the package and place it on a static-protective surface.
2. Locate the memory module slot on the system board by referring to “[Memory module installation rules](#)” on page 54. Ensure that you observe the installation rules and sequence.

To install a memory module, complete the following steps:

Watch the procedure

A video of this procedure is available at https://www.youtube.com/playlist?list=PLYV5R7hVcs-AQrHuDWK6L3KtHWc6maY_O.

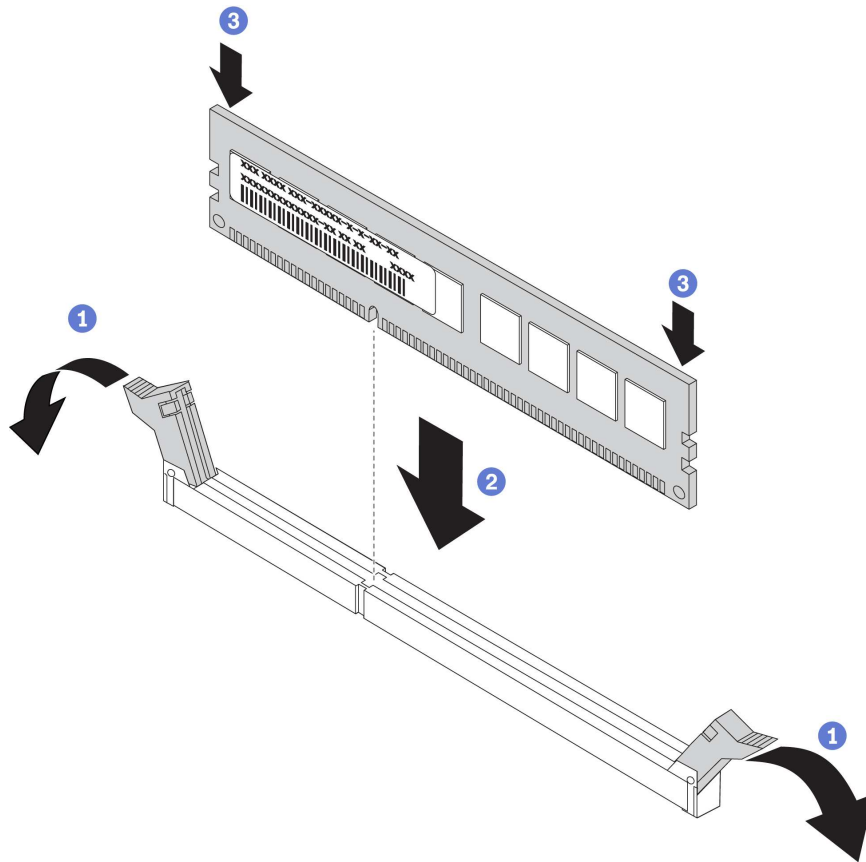


Figure 24. Memory module installation

Step 1. Open the retaining clips on each end of the memory module slot.

Attention: To avoid breaking the retaining clips or damaging the memory module slots, open and close the clips gently.

Step 2. Align the memory module with the slot, and gently place the memory module on the slot with both hands.

Step 3. Firmly press both ends of the memory module straight down into the slot until the retaining clips snap into the locked position.

Note: If there is a gap between the memory module and the retaining clips, the memory module has not been correctly inserted. In this case, open the retaining clips, remove the memory module, and then reinsert it.

Memory module installation rules

Memory modules must be installed in a specific order based on the memory configuration that you implement on your server.

Your server supports up to 6 memory modules when one processor is installed, and up to 12 memory modules when two processors are installed. It supports the following types of memory modules depending on the processors installed:

For Intel Xeon SP Gen 1 processors

- Minimum: 8 GB

- Maximum:
 - 384 GB using registered DIMMs (RDIMMs)
 - 768 GB using load-reduced DIMMs (LRDIMMs)
- Type (depending on the model):
 - TruDDR4 2666, single-rank or dual-rank, 8 GB/16 GB/32 GB RDIMMs
 - TruDDR4 2666, quad-rank, 64 GB LRDIMMs
- Slots: 12 slots

For Intel Xeon SP Gen 2 processors

- Minimum: 8 GB
- Maximum: 768 GB
- Type (depending on the model):
 - TruDDR4 2666, single-rank or dual-rank, 16 GB/32 GB RDIMMs
 - TruDDR4 2933, single-rank or dual-rank, 8 GB/16 GB/32 GB/64 GB RDIMMs
- Slots: 12 slots

For a list of supported memory, see:

<https://static.lenovo.com/us/en/serverproven/index.shtml>

Notes: Before installing a memory module, ensure that all memory modules to be installed must be the same type. Your server supports the following types of memory modules:

- DDR4 RDIMM with ECC technology
- DDR4 LRDIMM with ECC technology

The following illustration helps you to locate the memory module slots on the system board.

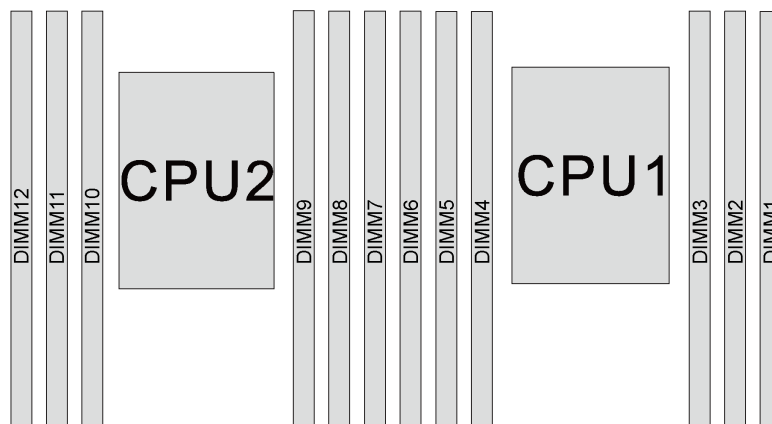


Figure 25. Memory module slots on the system board

The following memory configurations are available:

- “Independent mode” on page 56
- “Mirroring mode” on page 57
- “Rank sparing mode” on page 58

Independent mode

Independent mode provides high performance memory capability. You can populate all channels with no matching requirements. Individual channels can run at different memory module timings, but all channels must run at the same interface frequency.

The following table shows the memory module population sequence for independent mode when only one processor (CPU1) is installed.

Note: If there are three identical memory modules to be installed for CPU1, and the three memory modules have the same Lenovo part number, install the three memory modules in slots 1, 2, and 3.

Table 9. Independent mode with one processor

Total memory modules	Processor 1						Total memory modules
	6	5	4	3	2	1	
1				3			1
2			4	3			2
3			4	3	2		3
4		5	4	3	2		4
5		5	4	3	2	1	5
6	6	5	4	3	2	1	6

The following table shows the memory module population sequence for independent mode when two processors (CPU1 and CPU2) are installed.

Notes:

- If there are three identical memory modules to be installed for CPU1, and the three memory modules have the same Lenovo part number, install the three memory modules in slots 1, 2, and 3.
- If there are three identical memory modules to be installed for CPU2, and the three memory modules have the same Lenovo part numbers, install the three memory modules in slots 7, 8, and 9.

Table 10. Independent mode with two processors

Total memory modules	Processor 2						Processor 1						Total memory modules
	12	11	10	9	8	7	6	5	4	3	2	1	
2				9						3			2
3				9					4	3			3
4			10	9					4	3			4
5			10	9					4	3	2		5
6			10	9	8				4	3	2		6
7			10	9	8			5	4	3	2		7
8		11	10	9	8			5	4	3	2		8
9		11	10	9	8			5	4	3	2	1	9
10		11	10	9	8	7		5	4	3	2	1	10

Table 10. Independent mode with two processors (continued)

Total memory modules	Processor 2						Processor 1						Total memory modules
	12	11	10	9	8	7	6	5	4	3	2	1	
11		11	10	9	8	7	6	5	4	3	2	1	11
12	12	11	10	9	8	7	6	5	4	3	2	1	12

Mirroring mode

In mirroring mode, each memory module in a pair must be identical in size and architecture. The channels are grouped in pairs with each channel receiving the same data. One channel is used as a backup of the other, which provides redundancy.

Note: All memory modules to be installed must be the same type with the same capacity, frequency, voltage, and rank.

The following table shows the memory module population sequence for mirroring mode when one processor (CPU1) is installed.

Table 11. Mirroring mode with one processor

Total memory modules	Processor 1						Total memory modules
	6	5	4	3	2	1	
2				3	2		2
3				3	2	1	3
4		5	4	3	2		4
6	6	5	4	3	2	1	6

The following table shows the memory module population sequence for mirroring mode when two processors (CPU1 and CPU2) are installed.

Table 12. Mirroring mode with two processors

Total memory modules	Processor 2						Processor 2						Total memory modules
	12	11	10	9	8	7	6	5	4	3	2	1	
4				9	8					3	2		4
5				9	8					3	2	1	5
6				9	8	7				3	2	1	6
8		11	10	9	8			5	4	3	2		8
9				9	8	7	6	5	4	3	2	1	9
10		11	10	9	8		6	5	4	3	2	1	10
12	12	11	10	9	8	7	6	5	4	3	2	1	12

Rank sparing mode

In rank sparing mode, one rank of a memory module works as the spare rank for the other ranks on the same channel. The spare rank is not available as system memory.

Notes:

- All memory modules to be installed must be the same type with the same capacity, frequency, voltage, and number of ranks.
- Single-rank memory modules do not support rank sparing mode.

Table 13. Rank sparing mode with one processor

Total memory modules	Processor 1						Total memory modules
	6	5	4	3	2	1	
1				3			1
2			4	3			2
3			4	3	2		3
4		5	4	3	2		4
5		5	4	3	2	1	5
6	6	5	4	3	2	1	6

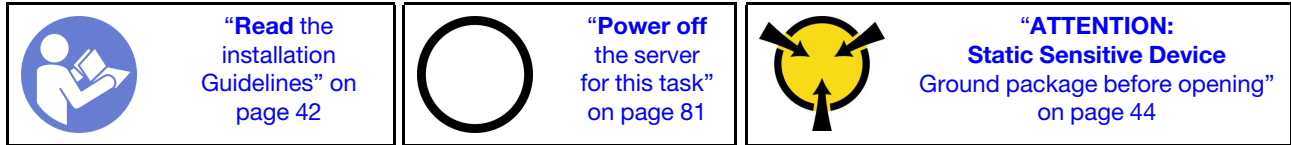
The following table shows the memory module population sequence for rank sparing mode when two processors (CPU1 and CPU2) are installed.

Table 14. Rank sparing mode with two processors

Total memory modules	Processor 2						Processor 1						Total memory modules
	12	11	10	9	8	7	6	5	4	3	2	1	
2				9						3			2
3				9					4	3			3
4			10	9					4	3			4
5			10	9					4	3	2		5
6			10	9	8				4	3	2		6
7			10	9	8			5	4	3	2		7
8		11	10	9	8			5	4	3	2		8
9		11	10	9	8			5	4	3	2	1	9
10		11	10	9	8	7		5	4	3	2	1	10
11		11	10	9	8	7	6	5	4	3	2	1	11
12	12	11	10	9	8	7	6	5	4	3	2	1	12

Install a system fan

Use this information to install a system fan.



S033



CAUTION:

Hazardous energy present. Voltages with hazardous energy might cause heating when shorted with metal, which might result in spattered metal, burns, or both.

S009



CAUTION:

To avoid personal injury, disconnect the fan cables before removing the fan from the device.

S002



CAUTION:

The power-control button on the device and the power switch on the power supply do not turn off the electrical current supplied to the device. The device also might have more than one power cord. To remove all electrical current from the device, ensure that all power cords are disconnected from the power source.

Before installing a system fan:

1. Remove the fan filler.
2. Touch the static-protective package that contains the new system fan to any unpainted surface on the outside of the server. Then, take the new system fan out of the package and place it on a static-protective surface.

To install a system fan, complete the following steps:

Watch the procedure

A video of this procedure is available at https://www.youtube.com/playlist?list=PLYV5R7hVcs-AQrHuDWK6L3KtHWc6maY_O.

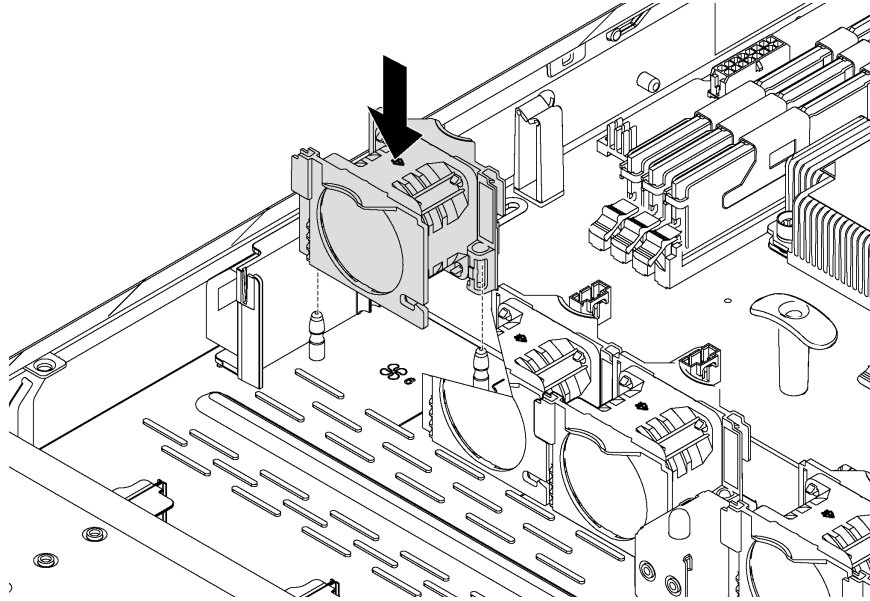


Figure 26. System fan installation




Step 1. Align the support holes of the system fan with the two pins in the chassis, and press it straight down until it is seated into place.

Note: Ensure that the system fan cable is at the side next to the system board.

Step 2. Connect the system fan cable to the system fan connector on the system board.

Install a PCIe adapter and riser assembly

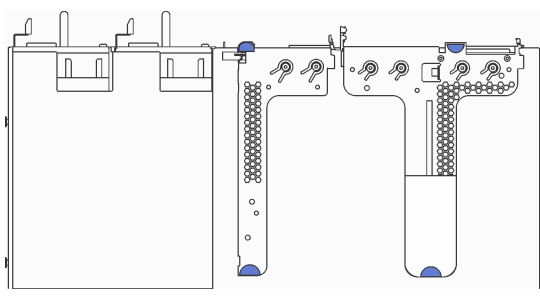
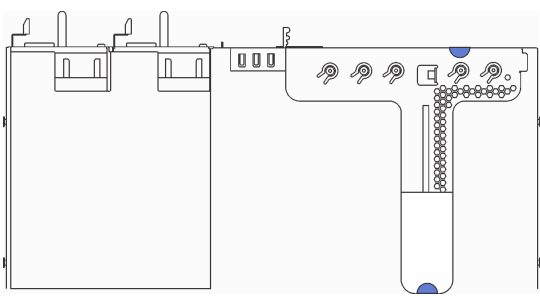
Use this information to install a PCIe adapter and riser assembly.

 <p>“Read the installation Guidelines” on page 42</p>	 <p>“Power off the server for this task” on page 81</p>	 <p>“ATTENTION: Static Sensitive Device Ground package before opening” on page 44</p>
---	---	--

Before installing a PCIe adapter and riser assembly:

1. Touch the static-protective package that contains the new PCIe adapter to any unpainted surface on the outside of the server. Then, take the new PCIe adapter out of the package and place it on a static-protective surface.
2. Touch the static-protective package that contains the new riser assembly to any unpainted surface on the outside of the server. Then, take the new riser assembly out of the package and place it on a static-protective surface.
3. Locate the correct PCIe slot for the PCIe adapter. For information about the PCIe slots and supported PCIe adapters, see [“Rear view” on page 19](#).

Your server comes with one of the following riser assembly configurations:

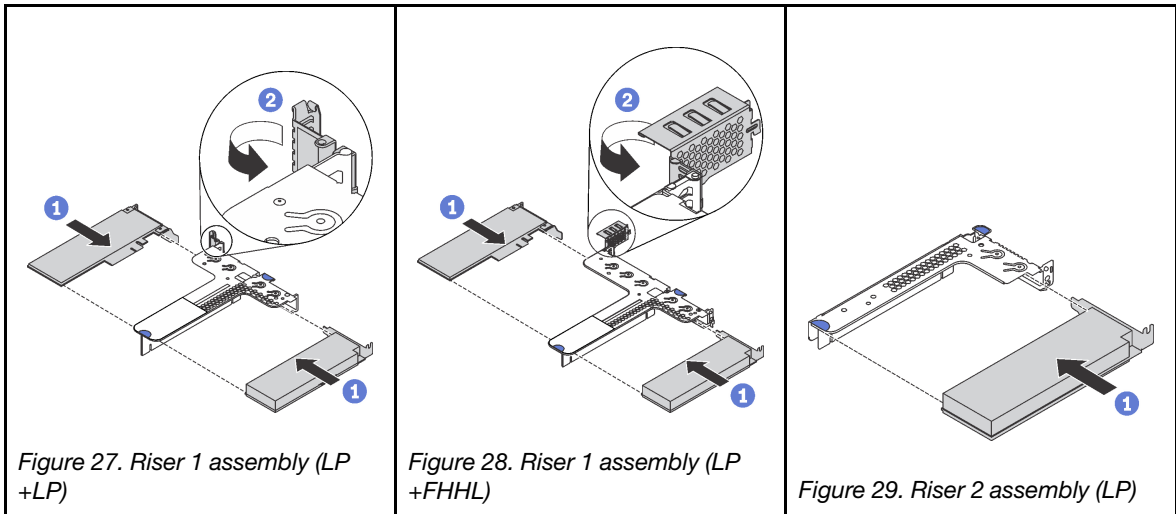
<p>Configuration 1</p>  <ul style="list-style-type: none">• Riser 1 assembly: LP+LP• Riser 2 assembly: LP (available on some models)	<p>Configuration 2</p>  <ul style="list-style-type: none">• Riser 1 assembly: LP + FHHL <p>Note: In configuration 2, 4-Port Ethernet adapters cannot be installed in PCIe slot 1.</p>
---	---

To install a PCIe adapter and riser assembly, complete the following steps:

Watch the procedure

A video of this procedure is available at https://www.youtube.com/playlist?list=PLYV5R7hVcs-AQrHuDWK6L3KtHWc6maY_O.

Step 1. Install the PCIe adapter into the riser assembly.



Step 2. Connect cables to the PCIe adapter in the riser assembly. See [“Internal cable routing” on page 27](#).

Step 3. Position the riser assembly on the chassis. Align the two pins on the bracket with the two holes in the chassis and align the riser card with the riser slot on the system board. Then, carefully press the riser assembly straight down into the slot until it is fully seated.

Note: The riser assembly you want to install might be different from the illustration below, but the installation method is the same.

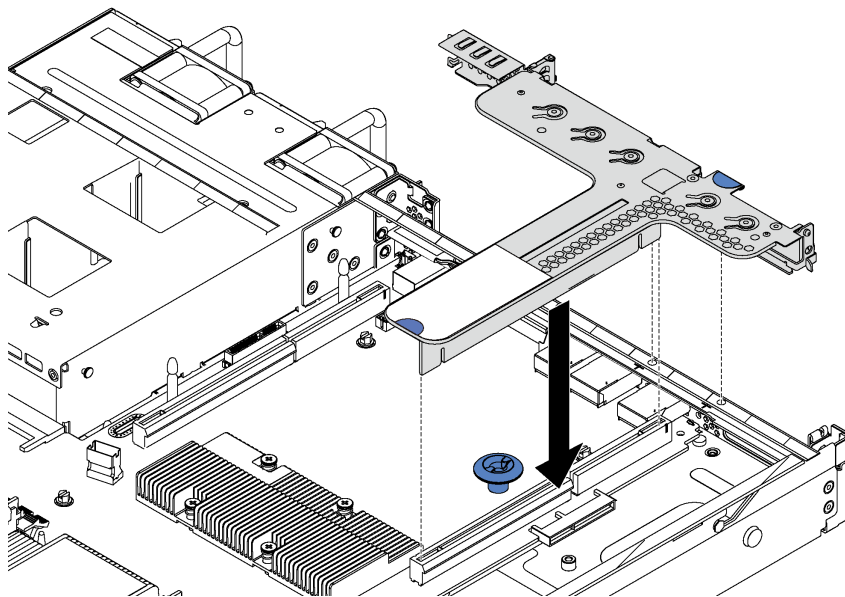
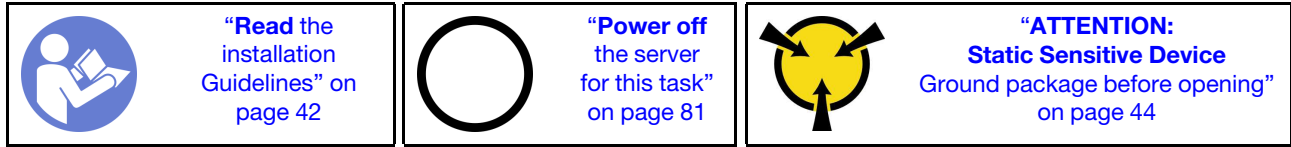


Figure 30. Riser assembly installation

Install the M.2 backplane and M.2 drive

Use this information to install the M.2 backplane and M.2 drive.



Before installing the M.2 backplane and M.2 drive:

1. Touch the static-protective package that contains the new M.2 backplane and M.2 drive to any unpainted surface on the outside of the server. Then, take the new M.2 backplane and M.2 drive out of the package and place them on a static-protective surface.
2. Adjust the retainer on the M.2 backplane to accommodate the particular size of the M.2 drive you wish to install. See [“Adjust the retainer on the M.2 backplane”](#) on page 66.
3. Locate the connector on each side of the M.2 backplane.

Notes:

- Some M.2 backplanes support two identical M.2 drives. When two M.2 drives are installed, align and support both M.2 drives when sliding the retainer forward to secure the M.2 drives.
- Install the M.2 drive in slot 0 first.

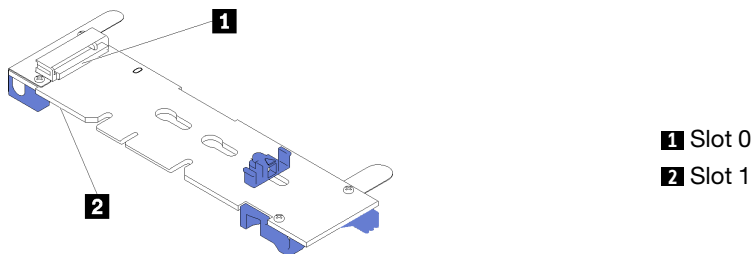


Figure 31. M.2 drive slot

To install the M.2 backplane and M.2 drive, complete the following steps:

Watch the procedure

A video of this procedure is available at https://www.youtube.com/playlist?list=PLYV5R7hVcs-AQrHuDWK6L3KtHWc6maY_O.

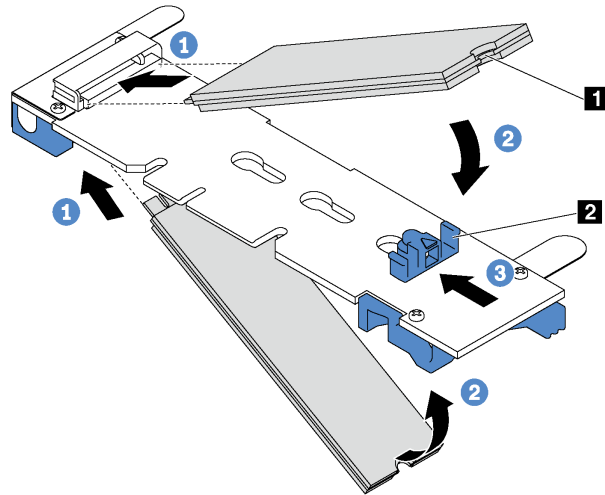


Figure 32. M.2 drive installation

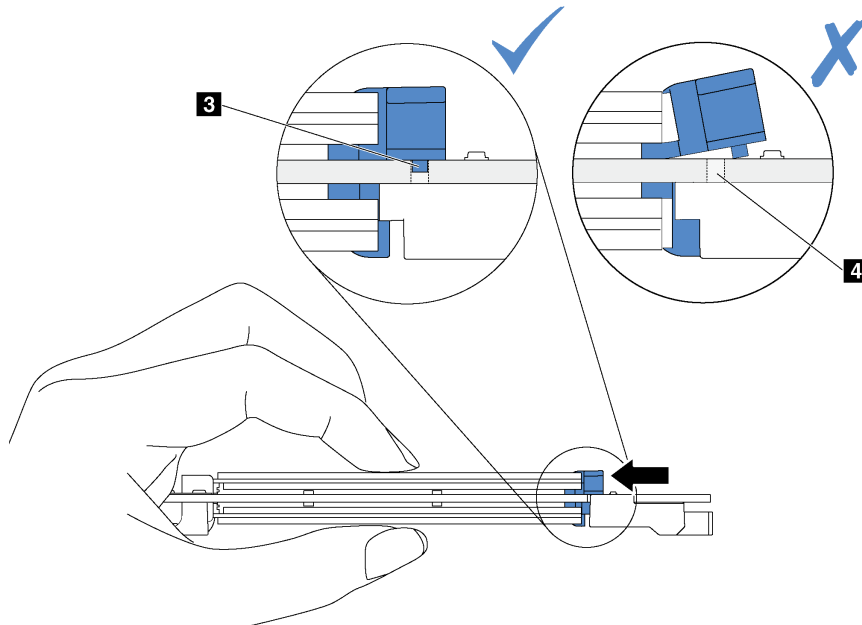
Step 1. Insert the M.2 drive at an angle of approximately 30 degrees into the connector.

Note: If your M.2 backplane supports two M.2 drives, insert the M.2 drives into the connectors at both sides.

Step 2. Rotate the M.2 drive down until the notch **1** catches on the lip of the retainer **2**.

Step 3. Slide the retainer forward (toward the connector) to secure the M.2 drive into place.

Attention: When sliding the retainer forward, ensure that the two nubs **3** on the retainer enter the small holes **4** on the M.2 backplane. Once they enter the holes, you will hear a soft “click” sound.



Step 4. Align the blue plastic supports at each end of the M.2 backplane with the guide pins on the system board. Then, insert the M.2 backplane into the M.2 slot on the system board and press it down to fully seat it.

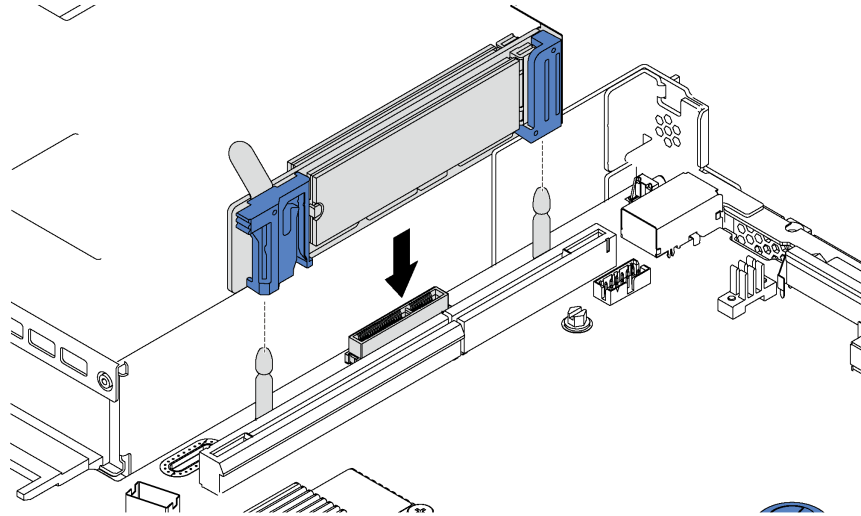


Figure 33. M.2 backplane installation

After installing the M.2 drive and M.2 backplane, use the Lenovo XClarity Provisioning Manager to configure the RAID. For more information, see:

http://sysmgmt.lenovofiles.com/help/topic/LXPM/RAID_setup.html

Adjust the retainer on the M.2 backplane

Use this information to adjust the retainer on the M.2 backplane.

Before adjusting the retainer on the M.2 backplane, locate the correct keyhole that the retainer should be installed into to accommodate the particular size of the M.2 drive you wish to install.

To adjust the retainer on the M.2 backplane, complete the following steps:

Watch the procedure

A video of this procedure is available at https://www.youtube.com/playlist?list=PLYV5R7hVcs-AQrHuDWK6L3KtHWc6maY_O.

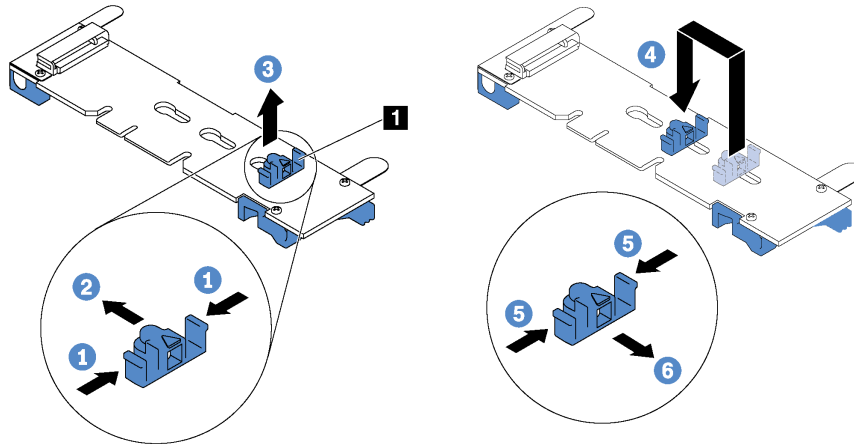
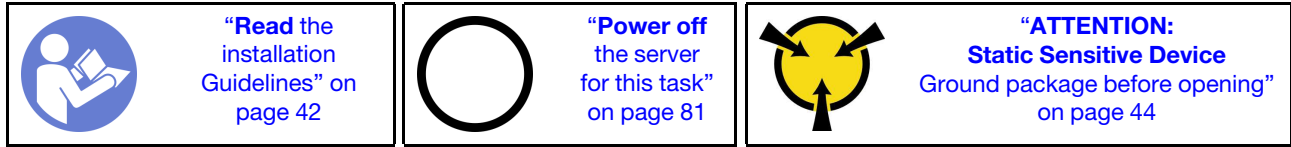


Figure 34. M.2 retainer adjustment

- Step 1. Press both sides of the retainer **1**.
- Step 2. Move the retainer forward until it is in the large opening of the keyhole.
- Step 3. Take the retainer out of the keyhole.
- Step 4. Insert the retainer into the correct keyhole.
- Step 5. Press both sides of the retainer.
- Step 6. Slide the retainer backwards until it is seated in place.

Install the serial port module

Use this information to install the serial port module.



Before installing the serial port module, touch the static-protective package that contains the new serial port module to any unpainted surface out of the server. Then, take the new serial port module out of the package and place it on a static-protective surface.

To install the serial port module, complete the following steps:

Watch the procedure

A video of this procedure is available at https://www.youtube.com/playlist?list=PLYV5R7hVcs-AQrHuDWK6L3KtHWc6maY_O.

Note: The serial port module can be installed on riser 1 assembly or riser 2 assembly. The following steps are based on the scenario that the serial port module is to be installed on riser 2 assembly. The installation procedure is the same for the serial port module to be installed on riser 1 assembly.

- Step 1. Locate the riser assembly and remove it from the server.
- Step 2. If the riser assembly is covered with a PCIe slot bracket, remove the bracket first. Then, install the serial port module into the riser assembly.

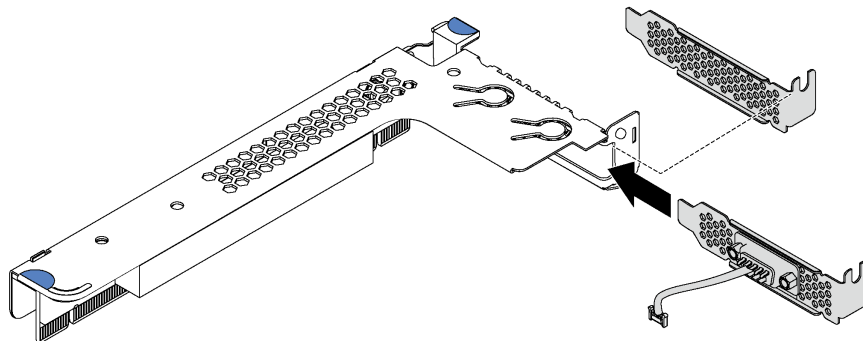


Figure 35. Serial port module installation

- Step 3. Insert the riser assembly into the riser slot on the system board. Ensure that the riser assembly is fully seated.

- Step 4. Connect the cable of the serial port module to serial-port-module connector on the system board. To locate the connector, see “[System board components](#)” on page 25. If the serial port module is installed in PCIe slot 1, route the cable of the serial port module as shown.

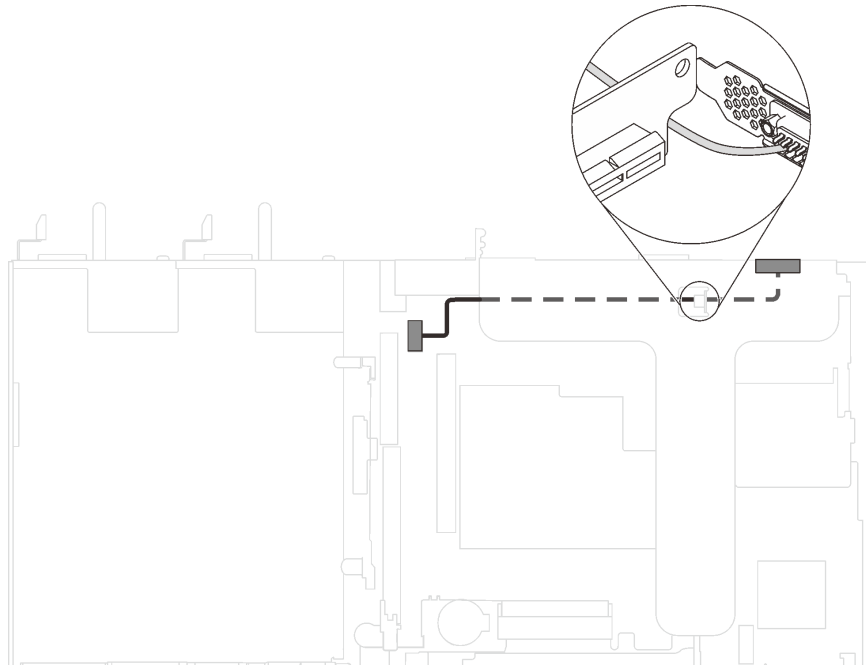


Figure 36. Cable routing for serial port module installed in PCIe slot 1

After installing the serial port module, do one of the following to enable it according to the installed operating system:

- For Linux operating system:

Open the ipmitool and enter the following command to disable the Serial over LAN (SOL) feature:

```
-I lanplus -H IP -U USERID -P PASSWORD sol deactivate
```

- For Microsoft Windows operating system:

1. Open the ipmitool and enter the following command to disable the SOL feature:

```
-I lanplus -H IP -U USERID -P PASSWORD sol deactivate
```

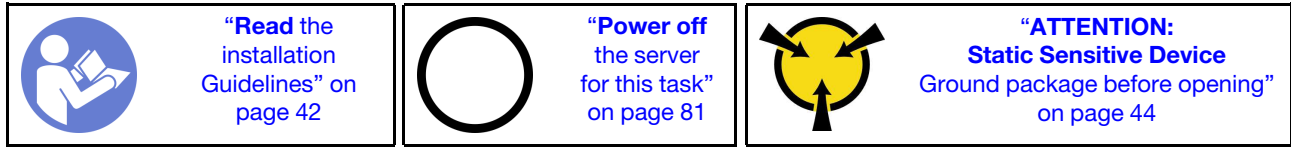
2. Open Windows PowerShell and enter the following command to disable the Emergency Management Services (EMS) feature:

```
Bcdedit /ems no
```

3. Restart the server to ensure that the EMS setting takes effect.

Install the LOM adapter

Use this information to install a LOM adapter.



Before installing the LOM adapter:

1. If riser 1 assembly is installed, remove it to access the LOM adapter slot.
2. Touch the static-protective package that contains the new LOM adapter to any unpainted surface on the outside of the server. Then, take the new LOM adapter out of the package and place it on a static-protective surface.
3. If the server comes with a LOM adapter slot bracket, remove it carefully with a tool. Store the bracket in case that you later remove the LOM adapter and need the bracket to cover the place.

CAUTION:

Use a tool to remove the LOM adapter slot bracket to avoid injury.

To install the LOM adapter, complete the following steps:

Watch the procedure

A video of this procedure is available at https://www.youtube.com/playlist?list=PLYV5R7hVcs-AQrHuDWK6L3KtHWc6maY_O.

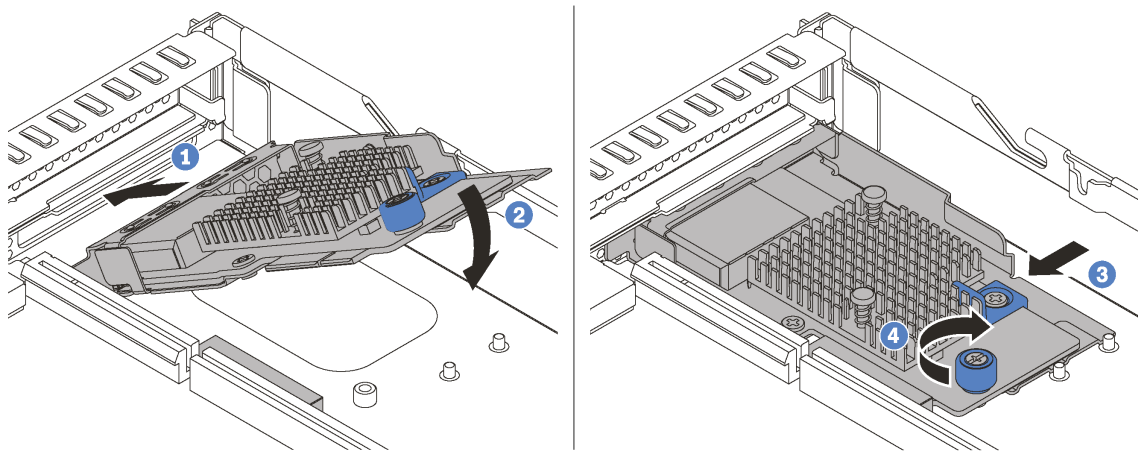
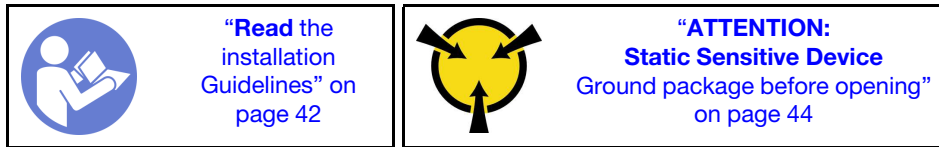


Figure 37. LOM adapter installation

- Step 1. Insert the LOM adapter into the rear of the chassis at an angle as shown.
- Step 2. Lower the LOM adapter and slide it to the rear of the chassis until the LOM adapter stops.
- Step 3. Push the LOM adapter as shown to insert it into the connector on the system board.
- Step 4. Tighten the thumbscrew to secure the LOM adapter.

Install a hot-swap power supply

Use this information to install a hot-swap power supply.



The following tips describe the type of power supply that the server supports and other information that you must consider when you install a power supply:

- The standard shipping has only one power supply installed in the server. For redundancy and hot-swap support, you must install an additional hot-swap power supply. Certain customized models might be shipped with two power supplies installed.
- Ensure that the devices that you are installing are supported. For a list of supported optional devices for the server, go to:
<https://static.lenovo.com/us/en/serverproven/index.shtml>

Notes:

- Ensure that the two power supplies installed on the server have the same wattage.
- If you are replacing the existing power supply with a new power supply of different wattage, attach the power rating label that comes with this option onto the existing label on the top cover near the power supply.



Figure 38. Hot-swap power supply label on the cover

S035



CAUTION:

Never remove the cover on a power supply or any part that has this label attached. Hazardous voltage, current, and energy levels are present inside any component that has this label attached. There are no serviceable parts inside these components. If you suspect a problem with one of these parts, contact a service technician.

S002



CAUTION:

The power-control button on the device and the power switch on the power supply do not turn off the electrical current supplied to the device. The device also might have more than one power cord. To remove all electrical current from the device, ensure that all power cords are disconnected from the power source.

S001



Electrical current from power, telephone, and communication cables is hazardous.

To avoid a shock hazard:

- Connect all power cords to a properly wired and grounded electrical outlet/source.
- Connect any equipment that will be attached to this product to properly wired outlets/sources.
- When possible, use one hand only to connect or disconnect signal cables.
- Never turn on any equipment when there is evidence of fire, water, or structural damage.
- The device might have more than one power cord, to remove all electrical current from the device, ensure that all power cords are disconnected from the power source.

The following tips describe the information that you must consider when you install a power supply with dc input.

CAUTION:

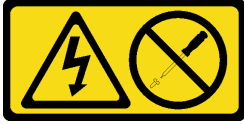
- 240 V dc input (input range: 180-300 V dc) is supported in Chinese Mainland ONLY. Power supply with 240 V dc input cannot support hot plugging power cord function. Before removing the power supply with dc input, please turn off server or disconnect dc power sources at the breaker panel or by turning off the power source. Then, remove the power cord.
- In order for the ThinkSystem products to operate error free in both a DC or AC electrical environment, a TN-S earthing system which complies to 60364-1 IEC 2005 standard has to be present or installed.



在直流输入状态下，若电源供应器插座不支持热插拔功能，请务必不要对设备电源线进行热插拔。此操作可能导致设备损坏及数据丢失。因错误执行热插拔导致的设备故障或损坏，不属于保修范围。

NEVER CONNECT AND DISCONNECT THE POWER SUPPLY CABLE AND EQUIPMENT WHILE YOUR EQUIPMENT IS POWERED ON WITH DC SUPPLY (hot-plugging). Otherwise you may damage the equipment and result in data loss, the damages and losses result from incorrect operation of the equipment will not be covered by the manufacturers' warranty.

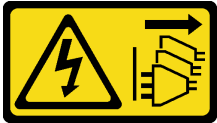
S035



CAUTION:

Never remove the cover on a power supply or any part that has this label attached. Hazardous voltage, current, and energy levels are present inside any component that has this label attached. There are no serviceable parts inside these components. If you suspect a problem with one of these parts, contact a service technician.

S019



CAUTION:

The power-control button on the device does not turn off the electrical current supplied to the device. The device also might have more than one connection to dc power. To remove all electrical current from the device, ensure that all connections to dc power are disconnected at the dc power input terminals.

To install a hot-swap power supply, complete the following steps:

Watch the procedure

A video of this procedure is available at https://www.youtube.com/playlist?list=PLYV5R7hVcs-AQrHuDWK6L3KtHWc6maY_O.

- Step 1. Touch the static-protective package that contains the new power supply to any unpainted surface on the outside of the server. Then, take the new power supply out of the package and place it on a static-protective surface.
- Step 2. If there is a power supply filler installed, remove it.

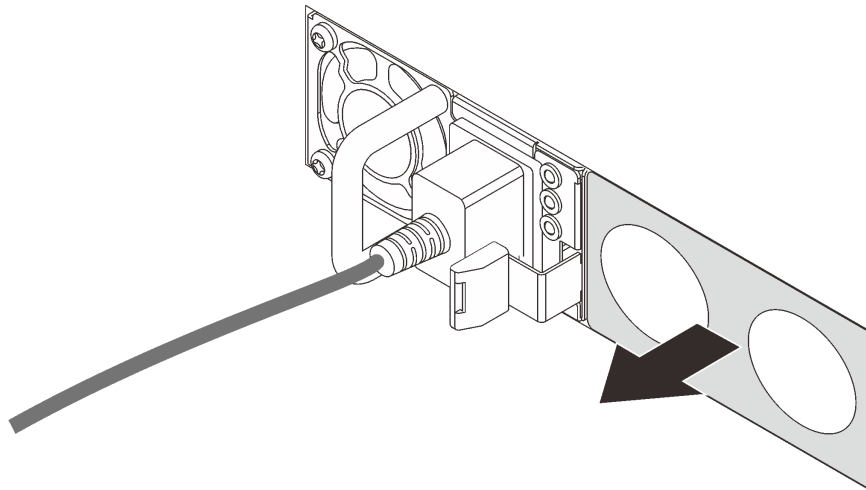


Figure 39. Hot-swap power supply filler removal

Step 3. Slide the new hot-swap power supply into the bay until the release latch clicks into place.

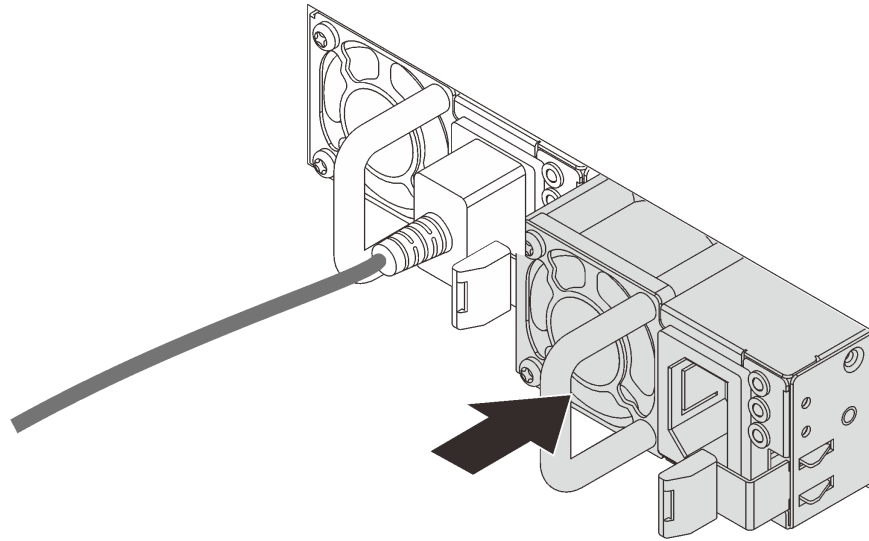
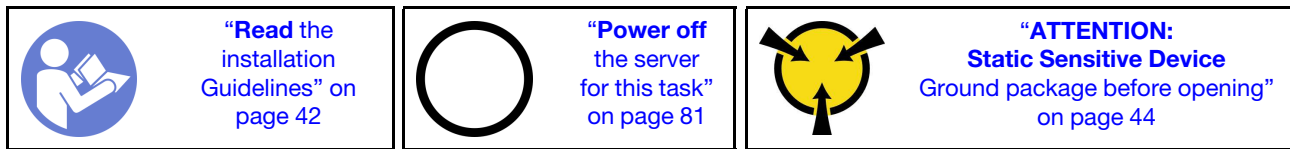


Figure 40. Hot-swap power supply installation

Install a RAID super capacitor module

If your server has a RAID adapter with a super capacitor connector, you can install a RAID super capacitor module in your server.



Before installing the RAID super capacitor module:

- Touch the static-protective package that contains the new RAID super capacitor module to any unpainted surface on the outside of the server. Then, take the new RAID super capacitor module out of the package and place it on a static-protective surface.
- Turn the air baffle over and locate the RAID super capacitor holder.

To install the RAID super capacitor module, complete the following steps:

Watch the procedure

A video of this procedure is available at https://www.youtube.com/playlist?list=PLYV5R7hVcs-AQrHuDWK6L3KtHWc6maY_O.

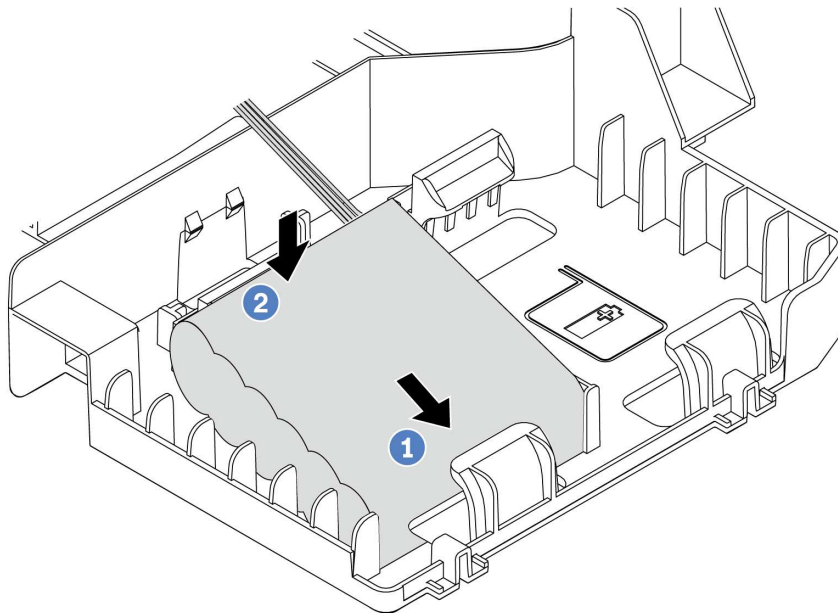
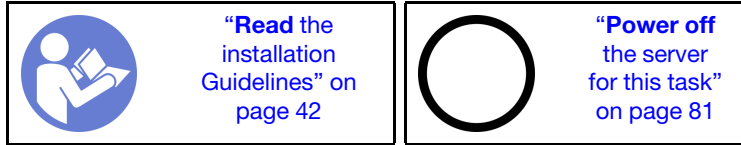


Figure 41. RAID super capacitor module installation

- Step 1. Insert the RAID super capacitor module into the retaining clip at one side as shown.
- Step 2. Press the RAID super capacitor module down on the other side until it snaps into place.
- Step 3. Connect the RAID super capacitor module to the RAID adapter using an extension cable. See “Internal cable routing” on page 27.
- Step 4. If your server has two RAID adapters each with a super capacitor connector, you can continue to install the second RAID super capacitor module.

Install the air baffle

Use this information to install the air baffle.



S033



CAUTION:

Hazardous energy present. Voltages with hazardous energy might cause heating when shorted with metal, which might result in spattered metal, burns, or both.

S017



CAUTION:

Hazardous moving fan blades nearby. Keep fingers and other body parts away.

To install the air baffle, complete the following steps:

Watch the procedure

A video of this procedure is available at https://www.youtube.com/playlist?list=PLYV5R7hVcs-AQrHuDWK6L3KtHWc6maY_O.

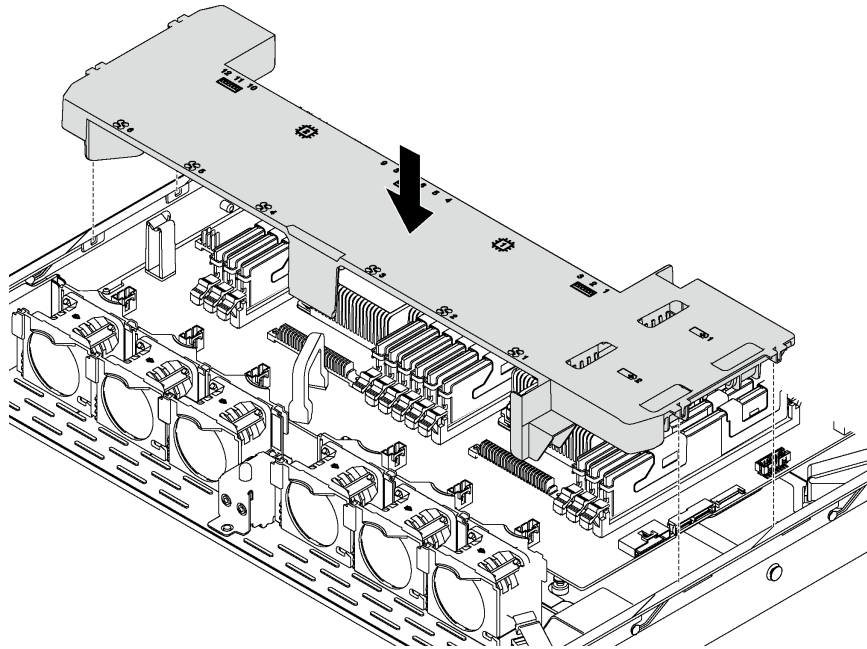



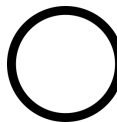

Figure 42. Air baffle installation

- Step 1. Align the tabs on both sides of the air baffle with the corresponding slots on both sides of the chassis.
- Step 2. Lower the air baffle into the server and press the air baffle down until it is securely seated.

After installing the air baffle, if there is a RAID super capacitor module installed, connect it to the RAID adapter with the extension cable that comes with the RAID super capacitor module.

Install the top cover

Use this information to install the top cover.

 <p>“Read the installation Guidelines” on page 42</p>	 <p>“Power off the server for this task” on page 81</p>	 <p>“ATTENTION: Static Sensitive Device Ground package before opening” on page 44</p>
---	---	--

S033



CAUTION:

Hazardous energy present. Voltages with hazardous energy might cause heating when shorted with metal, which might result in spattered metal, burns, or both.

S014



CAUTION:

Hazardous voltage, current, and energy levels might be present. Only a qualified service technician is authorized to remove the covers where the label is attached.

Before installing the top cover:

1. Ensure that all cables, adapters, and other components are installed and seated correctly and that you have not left loose tools or parts inside the server.
2. Ensure that all internal cables are correctly routed. See “Internal cable routing” on page 27.

To install the top cover, complete the following steps:

Watch the procedure

A video of this procedure is available at https://www.youtube.com/playlist?list=PLYV5R7hVcs-AQrHuDWK6L3KtHWc6maY_O.

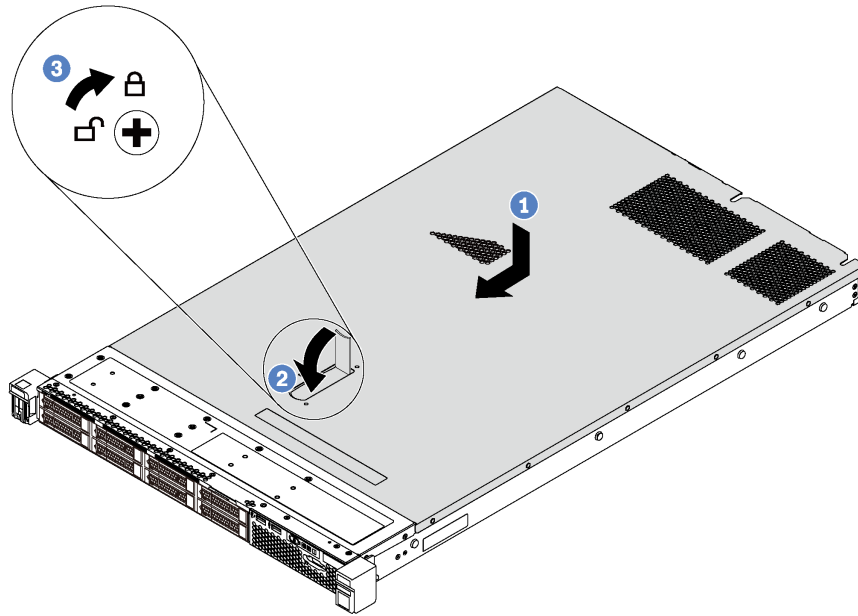


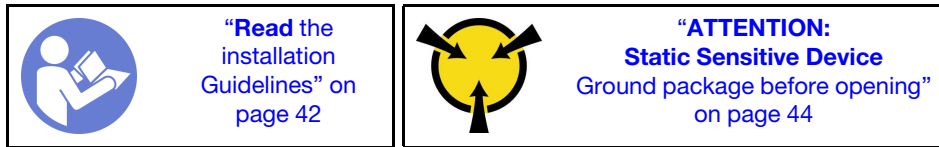
Figure 43. Top cover installation

Note: Before you slide the top cover forward, ensure that all the tabs on the top cover engage the chassis correctly. If the tabs do not engage the chassis correctly, it will be very difficult to remove the top cover later.

- Step 1. Ensure that the cover latch is in the open position. Lower the cover onto the chassis until all tabs on both sides of the cover engage with the guides on both sides of the chassis.
- Step 2. Pivot the cover latch and slide the cover forward until the cover snaps into position. Ensure that the cover latch is completely closed.
- Step 3. Use a screwdriver to turn the cover lock to the closed position.

Install a hot-swap drive

Use this information to install a hot-swap drive.



Notes:

- For a list of supported drives, see <https://static.lenovo.com/us/en/serverproven/index.shtml>.
- The drive bays are numbered to indicate the installation order (starting from number "0"). Follow the installation order when you install a drive. See "Front view" on page 15.
- You can mix drives of different types and different capacities in one system, but not in one RAID array. The following order is recommended when installing the drives:
 - Drive type priority: SAS SSD, SATA SSD, SAS HDD, SATA HDD
 - Drive capacity priority: the lowest capacity first
- The drives in a single RAID array must be the same type, same size, and same capacity.

Before installing a hot-swap drive:

1. If there is a drive filler installed, remove it and keep it in a safe place.
2. Touch the static-protective package that contains the new drive to any unpainted surface on the outside of the server. Then, take the new drive out of the package and place it on a static-protective surface.

To install a hot-swap drive, complete the following steps:

Watch the procedure

A video of this procedure is available at https://www.youtube.com/playlist?list=PLYV5R7hVcs-AQRHuDWK6L3KtHWc6maY_O.

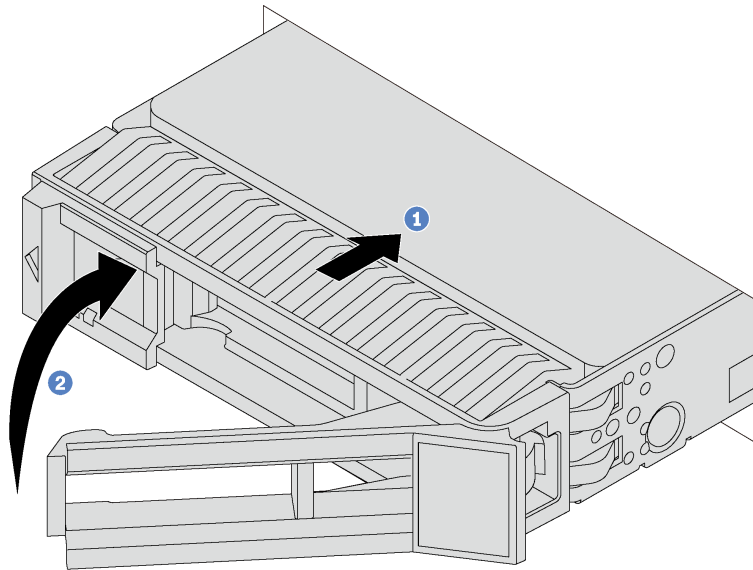

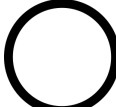



Figure 44. Hot-swap drive installation

- Step 1. Ensure that the drive tray handle is in the open position. Slide the drive into the drive bay until it snaps into position.
- Step 2. Close the drive tray handle to lock the drive in place.
- Step 3. Continue to install additional hot-swap drives if necessary.

Install a simple-swap drive

Use this information to install a simple-swap drive.

 <p>“Read the installation Guidelines” on page 42</p>	 <p>“Power off the server for this task” on page 81</p>	 <p>“ATTENTION: Static Sensitive Device Ground package before opening” on page 44</p>
---	---	--

Notes:

- For a list of supported drives, see <https://static.lenovo.com/us/en/serverproven/index.shtml>.
- The drive bays are numbered to indicate the installation order (starting from number “0”). Follow the installation order when you install a drive. See [“Front view” on page 15](#).
- You can mix drives of different types and different capacities in one system, but not in one RAID array. The following order is recommended when installing the drives:
 - Drive type priority: SATA SSD, SATA HDD
 - Drive capacity priority: the lowest capacity first
- The drives in a single RAID array must be the same type, same size, and same capacity.

Before installing a simple-swap drive:

1. If there is a drive filler installed, remove it and keep it in a safe place.

2. Touch the static-protective package that contains the new drive to any unpainted surface on the outside of the server. Then, take the new drive out of the package and place it on a static-protective surface.

To install a simple-swap drive, complete the following steps:

Watch the procedure

A video of this procedure is available at https://www.youtube.com/playlist?list=PLYV5R7hVcs-AQrHuDWK6L3KtHWc6maY_O.

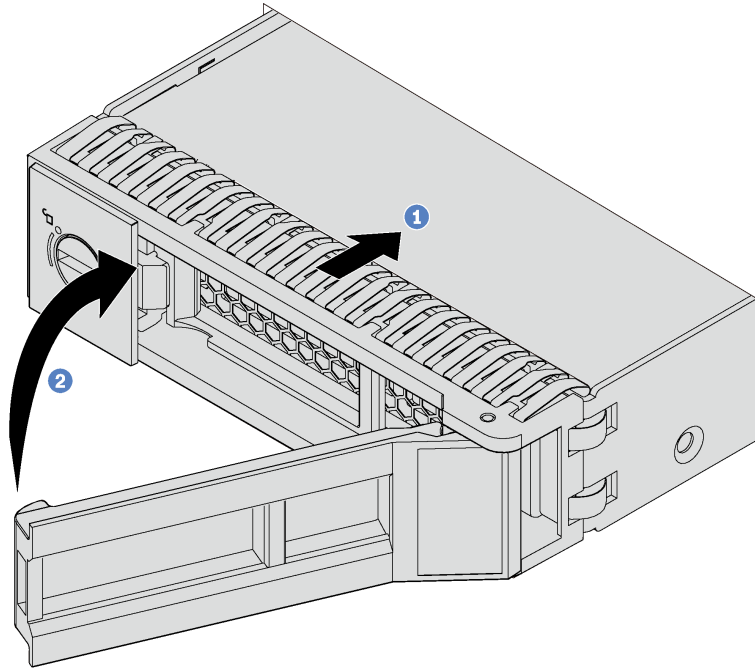


Figure 45. Simple-swap drive installation

- Step 1. Ensure that the drive tray handle is in the open position. Slide the drive into the drive bay until it snaps into position.
- Step 2. Close the drive tray handle to lock the drive in place.
- Step 3. Continue to install additional simple-swap drives if necessary.

Install the server in a rack

To install the server in a rack, follow the instructions that are provided in the Rail Installation Kit for the rails on which the server will be installed.

Cable the server

Attach all external cables to the server. Typically, you will need to connect the server to a power source, to the data network, and to storage. In addition, you will need to connect the server to the management network.

Connect to power

Connect the server to power.

Connect to the network

Connect the server to the network.

Connect to storage

Connect the server to any storage devices.

Power on the server

After the server performs a short self-test (power status LED flashes quickly) when connected to input power, it enters a standby state (power status LED flashes once per second).

The server can be turned on (power status LED on) in any of the following ways:

- You can press the power button.
- The server can restart automatically after a power interruption.
- The server can respond to remote power-on requests sent to the Lenovo XClarity Controller.

For information about powering off the server, see [“Power off the server” on page 81](#).

Validate server setup

After powering up the server, make sure that the LEDs are lit and that they are green.

Power off the server

The server remains in a standby state when it is connected to a power source, allowing the Lenovo XClarity Controller to respond to remote power-on requests. To remove all power from the server (power status LED off), you must disconnect all power cables.

To place the server in a standby state (power status LED flashes once per second):

Note: The Lenovo XClarity Controller can place the server in a standby state as an automatic response to a critical system failure.

- Start an orderly shutdown using the operating system (if supported by your operating system).
- Press the power button to start an orderly shutdown (if supported by your operating system).
- Press and hold the power button for more than 4 seconds to force a shutdown.

When in a standby state, the server can respond to remote power-on requests sent to the Lenovo XClarity Controller. For information about powering on the server, see [“Power on the server” on page 81](#).

Chapter 4. System configuration

Complete these procedures to configure your system.

Set the network connection for the Lenovo XClarity Controller

Before you can access the Lenovo XClarity Controller over your network, you need to specify how Lenovo XClarity Controller will connect to the network. Depending on how the network connection is implemented, you might need to specify a static IP address as well.

The following methods are available to set the network connection for the Lenovo XClarity Controller if you are not using DHCP:

- If a monitor is attached to the server, you can use Lenovo XClarity Controller to set the network connection.
- If no monitor attached to the server, you can set the network connection through the Lenovo XClarity Controller interface. Connect an Ethernet cable from your laptop to Lenovo XClarity Controller connector, which is located at the rear of the server. For the location of the Lenovo XClarity Controller connector, see “Rear view” on page 19.

Note: Make sure that you modify the IP settings on the laptop so that it is on the same network as the server default settings.

The default IPv4 address and the IPv6 Link Local Address (LLA) is provided on the Lenovo XClarity Controller Network Access label that is affixed to the Pull Out Information Tab.

- If you are using the Lenovo XClarity Administrator Mobile app from a mobile device, you can connect to the Lenovo XClarity Controller through the Lenovo XClarity Controller USB connector on the front of the server. For the location of the Lenovo XClarity Controller USB connector, see “Front view” on page 15.

Note: The Lenovo XClarity Controller USB connector mode must be set to manage the Lenovo XClarity Controller (instead of normal USB mode). To switch from normal mode to Lenovo XClarity Controller management mode, hold the blue ID button on the front panel for at least 3 seconds until its LED flashes slowly (once every couple of seconds).

To connect using the Lenovo XClarity Administrator Mobile app:

1. Connect the USB cable of your mobile device to the Lenovo XClarity Administrator USB connector on the front panel.
2. On your mobile device, enable USB tethering.
3. On your mobile device, launch the Lenovo XClarity Administrator mobile app.
4. If automatic discovery is disabled, click **Discovery** on the USB Discovery page to connect to the Lenovo XClarity Controller.

For more information about using the Lenovo XClarity Administrator Mobile app, see:

http://sysmgt.lenovofiles.com/help/topic/com.lenovo.lxca.doc/lxca_usemobileapp.html

Important: The Lenovo XClarity Controller is set initially with a user name of USERID and password of PASSWORD (with a zero, not the letter O). This default user setting has Supervisor access. It is required to change this user name and password during your initial configuration for enhanced security.

Complete the following steps to connect the Lenovo XClarity Controller to the network using the Lenovo XClarity Provisioning Manager.

- Step 1. Start the server.
- Step 2. When you see <F1> Setup, press F1.
- Step 3. Go to **LXPM → UEFI Setup → BMC Settings** to specify how the Lenovo XClarity Controller will connect to the network.
 - If you choose a static IP connection, make sure that you specify an IPv4 or IPv6 address that is available on the network.
 - If you choose a DHCP connection, make sure that the MAC address for the server has been configured in the DHCP server.
- Step 4. Click **OK** to continue starting the server.

Update the firmware

Several options are available to update the firmware for the server.

You can use the tools listed here to update the most current firmware for your server and the devices that are installed in the server.

Note: Lenovo typically releases firmware in bundles called UpdateXpress System Packs (UXSPs). To ensure that all of the firmware updates are compatible, you should update all firmware at the same time. If you are updating firmware for both the Lenovo XClarity Controller and UEFI, update the firmware for Lenovo XClarity Controller first.

Best practices related to updating firmware is available at the following location:

<http://lenovopress.com/LP0656>

Important terminology

- **In-band update.** The installation or update is performed using a tool or application within an operating system that is executing on the server's core CPU.
- **Out-of-band update.** The installation or update is performed by the Lenovo XClarity Controller collecting the update and then directing the update to the target subsystem or device. Out-of-band updates have no dependency on an operating system executing on the core CPU. However, most out-of-band operations do require the server to be in the S0 (Working) power state.
- **On-Target update.** The installation or update is initiated from an Operating System executing on the server's operating system.
- **Off-Target update.** The installation or update is initiated from a computing device interacting directly with the server's Lenovo XClarity Controller.
- **UpdateXpress System Packs (UXSPs).** UXSPs are bundled updates designed and tested to provide the interdependent level of functionality, performance, and compatibility. UXSPs are server machine-type specific and are built (with firmware and device driver updates) to support specific Windows Server, Red Hat Enterprise Linux (RHEL) and SUSE Linux Enterprise Server (SLES) operating system distributions. Machine-type-specific firmware-only UXSPs are also available.

See the following table to determine the best Lenovo tool to use for installing and setting up the firmware:

Note: The server UEFI settings for option ROM must be set to **Auto** or **UEFI** to update firmware using Lenovo XClarity Administrator or Lenovo XClarity Essentials. For more information, see the following Tech Tip:

<https://datacentersupport.lenovo.com/us/en/solutions/ht506118>

Tool		In-band update	Out-of-band update	On-target update	Off-target update	Graphical user interface	Command-line interface	Supports UXSPs
Lenovo XClarity Provisioning Manager Limited to core system firmware only.		√ ²			√	√		√
Lenovo XClarity Controller Supports core system firmware and most advanced I/O option firmware updates			√		√	√	√	
Lenovo XClarity Essentials OneCLI Supports all core system firmware, I/O firmware, and installed operating system driver updates		√	√				√	√
Lenovo XClarity Essentials UpdateXpress Supports all core system firmware, I/O firmware, and installed operating system driver updates		√	√			√		√
Lenovo XClarity Essentials Bootable Media Creator Supports core system firmware and I/O firmware updates. You can update the Microsoft Windows operating system, but device drivers are not included on the bootable image		√				√	√	√
Lenovo XClarity Administrator Supports core system firmware and I/O firmware updates		√ ¹	√ ²		√	√		
Lenovo XClarity Integrator offerings	Lenovo XClarity Integrator for VMware vCenter Supports all core system firmware, I/O firmware, and installed operating system driver updates		√		√	√		
	Lenovo XClarity Integrator for Microsoft Windows Admin Center Supports all core system firmware, I/O firmware, and installed operating system driver updates	√	√	√	√	√		

Tool		In-band update	Out-of-band update	On-target update	Off-target update	Graphical user interface	Command-line interface	Supports UXSPs
	Lenovo XClarity Integrator for Microsoft System Center Configuration Manager Supports all core system firmware, I/O firmware, and installed operating system driver updates	√		√		√		√
Notes: 1. For I/O firmware updates. 2. For BMC and UEFI firmware updates.								

The latest firmware can be found at the following site:

<http://datacentersupport.lenovo.com/us/en/products/servers/thinksystem/sr530/7X07/downloads>

- **Lenovo XClarity Provisioning Manager**

From Lenovo XClarity Provisioning Manager, you can update the Lenovo XClarity Controller firmware, the UEFI firmware, and the Lenovo XClarity Provisioning Manager software.

Note: By default, the Lenovo XClarity Provisioning Manager Graphical User Interface is displayed when you press F1. If you have changed that default to be the text-based system setup, you can bring up the Graphical User Interface from the text-based system setup interface.

Additional information about using Lenovo XClarity Provisioning Manager to update firmware is available at:

http://sysmgt.lenovofiles.com/help/topic/LXPM/platform_update.html

- **Lenovo XClarity Controller**

If you need to install a specific update, you can use the Lenovo XClarity Controller interface for a specific server.

Notes:

- To perform an in-band update through Windows or Linux, the operating system driver must be installed and the Ethernet-over-USB (sometimes called LAN over USB) interface must be enabled.

Additional information about configuring Ethernet over USB is available at:

http://sysmgt.lenovofiles.com/help/topic/com.lenovo.systems.management.xcc.doc/NN1ia_c_configuringUSB.html

- If you update firmware through the Lenovo XClarity Controller, make sure that you have downloaded and installed the latest device drivers for the operating system that is running on the server.

Specific details about updating firmware using Lenovo XClarity Controller are available at:

http://sysmgt.lenovofiles.com/help/topic/com.lenovo.systems.management.xcc.doc/NN1ia_c_manageserverfirmware.html

- **Lenovo XClarity Essentials OneCLI**

Lenovo XClarity Essentials OneCLI is a collection of command line applications that can be used to manage Lenovo servers. Its update application can be used to update firmware and device drivers for your servers. The update can be performed within the host operating system of the server (in-band) or remotely through the BMC of the server (out-of-band).

Specific details about updating firmware using Lenovo XClarity Essentials OneCLI is available at:

http://sysmgt.lenovofiles.com/help/topic/toolstr_cli_lenovo/onecli_c_update.html

- **Lenovo XClarity Essentials UpdateXpress**

Lenovo XClarity Essentials UpdateXpress provides most of OneCLI update functions through a graphical user interface (GUI). It can be used to acquire and deploy UpdateXpress System Pack (UXSP) update packages and individual updates. UpdateXpress System Packs contain firmware and device driver updates for Microsoft Windows and for Linux.

You can obtain Lenovo XClarity Essentials UpdateXpress from the following location:

<https://datacentersupport.lenovo.com/solutions/Invo-xpress>

- **Lenovo XClarity Essentials Bootable Media Creator**

You can use Lenovo XClarity Essentials Bootable Media Creator to create bootable media that is suitable for applying firmware updates, running preboot diagnostics, and deploying Microsoft Windows operating systems.

You can obtain Lenovo XClarity Essentials BoMC from the following location:

<https://datacentersupport.lenovo.com/solutions/Invo-bomc>

- **Lenovo XClarity Administrator**

If you are managing multiple servers using the Lenovo XClarity Administrator, you can update firmware for all managed servers through that interface. Firmware management is simplified by assigning firmware-compliance policies to managed endpoints. When you create and assign a compliance policy to managed endpoints, Lenovo XClarity Administrator monitors changes to the inventory for those endpoints and flags any endpoints that are out of compliance.

Specific details about updating firmware using Lenovo XClarity Administrator are available at:

http://sysmgt.lenovofiles.com/help/topic/com.lenovo.lxca.doc/update_fw.html

- **Lenovo XClarity Integrator offerings**

Lenovo XClarity Integrator offerings can integrate management features of Lenovo XClarity Administrator and your server with software used in a certain deployment infrastructure, such as VMware vCenter, Microsoft Admin Center, or Microsoft System Center.

Specific details about updating firmware using Lenovo XClarity Integrator offerings are available at:

https://sysmgt.lenovofiles.com/help/topic/lxci/lxci_product_page.html

Configure the firmware

Several options are available to install and set up the firmware for the server.

Important: Do not configure option ROMs to be set to **Legacy** unless directed to do so by Lenovo Support. This setting prevents UEFI drivers for the slot devices from loading, which can cause negative side effects for Lenovo software, such as Lenovo XClarity Administrator and Lenovo XClarity Essentials OneCLI, and to the

Lenovo XClarity Controller. The side effects include the inability to determine adapter card details, such as model name and firmware levels. When adapter card information is not available, generic information for the model name, such as "Adapter 06:00:00" instead of the actually model name, such as "ThinkSystem RAID 930-16i 4GB Flash." In some cases, the UEFI boot process might also hang.

- **Lenovo XClarity Provisioning Manager**

From Lenovo XClarity Provisioning Manager, you can configure the UEFI settings for your server.

Note: The Lenovo XClarity Provisioning Manager provides a Graphical User Interface to configure a server. The text-based interface to system configuration (the Setup Utility) is also available. From Lenovo XClarity Provisioning Manager, you can choose to restart the server and access the text-based interface. In addition, you can choose to make the text-based interface the default interface that is displayed when you press F1.

- **Lenovo XClarity Essentials OneCLI**

You can use the config application and commands to view the current system configuration settings and make changes to Lenovo XClarity Controller and UEFI. The saved configuration information can be used to replicate or restore other systems.

For information about configuring the server using Lenovo XClarity Essentials OneCLI, see:

http://sysmgt.lenovofiles.com/help/topic/toolstr_cli_lenovo/onecli_c_settings_info_commands.html

- **Lenovo XClarity Administrator**

You can quickly provision and pre-provision all of your servers using a consistent configuration. Configuration settings (such as local storage, I/O adapters, boot settings, firmware, ports, and Lenovo XClarity Controller and UEFI settings) are saved as a server pattern that can be applied to one or more managed servers. When the server patterns are updated, the changes are automatically deployed to the applied servers.

Specific details about updating firmware using Lenovo XClarity Administrator are available at:

http://sysmgt.lenovofiles.com/help/topic/com.lenovo.lxca.doc/server_configuring.html

- **Lenovo XClarity Controller**

You can configure the management processor for the server through the Lenovo XClarity Controller Web interface or through the command-line interface.

For information about configuring the server using Lenovo XClarity Controller, see:

http://sysmgt.lenovofiles.com/help/topic/com.lenovo.systems.management.xcc.doc/NN1ia_c_manageserverfirmware.html

Memory configuration

Memory performance depends on several variables, such as memory mode, memory speed, memory ranks, memory population and processor.

More information about optimizing memory performance and configuring memory is available at the Lenovo Press website:

<https://lenovopress.com/servers/options/memory>

In addition, you can take advantage of a memory configurator, which is available at the following site:

http://1config.lenovo.com/#/memory_configuration

For specific information about the required installation order of memory modules in your server based on the system configuration and memory mode that you are implementing, see “[DIMM installation rules](#)” on page 54.

RAID configuration

Using a Redundant Array of Independent Disks (RAID) to store data remains one of the most common and cost-efficient methods to increase server's storage performance, availability, and capacity.

RAID increases performance by allowing multiple drives to process I/O requests simultaneously. RAID can also prevent data loss in case of a drive failure by reconstructing (or rebuilding) the missing data from the failed drive using the data from the remaining drives.

RAID array (also known as RAID drive group) is a group of multiple physical drives that uses a certain common method to distribute data across the drives. A virtual drive (also known as virtual disk or logical drive) is a partition in the drive group that is made up of contiguous data segments on the drives. Virtual drive is presented up to the host operating system as a physical disk that can be partitioned to create OS logical drives or volumes.

An introduction to RAID is available at the following Lenovo Press website:

<https://lenovopress.com/lp0578-lenovo-raid-introduction>

Detailed information about RAID management tools and resources is available at the following Lenovo Press website:

<https://lenovopress.com/lp0579-lenovo-raid-management-tools-and-resources>

Deploy the operating system

Several options are available to deploy an operating system on the server.

Tool-based deployment

- **Multi-server**

Available tools:

- Lenovo XClarity Administrator

http://sysmgt.lenovofiles.com/help/topic/com.lenovo.lxca.doc/compute_node_image_deployment.html

- Lenovo XClarity Essentials OneCLI

http://sysmgt.lenovofiles.com/help/topic/toolsctr_cli_lenovo/onecli_r_uxspi_proxy_tool.html

- **Single-server**

Available tools:

- Lenovo XClarity Provisioning Manager

https://sysmgt.lenovofiles.com/help/topic/LXPM/os_installation.html

- Lenovo XClarity Essentials OneCLI

http://sysmgt.lenovofiles.com/help/topic/toolsctr_cli_lenovo/onecli_r_uxspi_proxy_tool.html

Manual deployment

If you cannot access the above tools, follow the instructions below, download the corresponding OS *Installation Guide*, and deploy the operating system manually by referring to the guide.

1. Go to <https://datacentersupport.lenovo.com/solutions/server-os>.
2. Select an operating system from the navigation pane and click **Resources**.
3. Locate the “OS Install Guides” area and click the installation instructions. Then, follow the instructions to complete the operation system deployment task.

Back up the server configuration

After setting up the server or making changes to the configuration, it is a good practice to make a complete backup of the server configuration.

Make sure that you create backups for the following server components:

- **Management processor**

You can back up the management processor configuration through the Lenovo XClarity Controller interface. For details about backing up the management processor configuration, see:

http://sysmgt.lenovofiles.com/help/topic/com.lenovo.systems.management.xcc.doc/NN1ia_c_backupthexcc.html

Alternatively, you can use the `save` command from Lenovo XClarity Essentials OneCLI to create a backup of all configuration settings. For more information about the `save` command, see:

http://sysmgt.lenovofiles.com/help/topic/toolctr_cli_lenovo/onecli_r_save_command.html

- **Operating system**

Use your own operating-system and user-data backup methods to back up the operating system and user data for the server.

Update the Vital Product Data (VPD)

After initial setup of the system, you can update some Vital Product Data (VPD), such as asset tag and Universal Unique Identifier (UUID).

Update the Universal Unique Identifier (UUID)

Optionally, you can update the Universal Unique Identifier (UUID).

There are two methods available to update the UUID:

- From Lenovo XClarity Provisioning Manager

To update the UUID from Lenovo XClarity Provisioning Manager:

1. Start the server and press F1 to display the Lenovo XClarity Provisioning Manager interface.
2. If the power-on Administrator password is required, enter the password.
3. From the System Summary page, click **Update VPD**.
4. Update the UUID.

- From Lenovo XClarity Essentials OneCLI

Lenovo XClarity Essentials OneCLI sets the UUID in the Lenovo XClarity Controller. Select one of the following methods to access the Lenovo XClarity Controller and set the UUID:

- Operate from the target system, such as LAN or keyboard console style (KCS) access

- Remote access to the target system (TCP/IP based)

To update the UUID from Lenovo XClarity Essentials OneCLI:

1. Download and install Lenovo XClarity Essentials OneCLI.

To download Lenovo XClarity Essentials OneCLI, go to the following site:

<https://datacentersupport.lenovo.com/solutions/HT116433>

2. Copy and unpack the OneCLI package, which also includes other required files, to the server. Make sure that you unpack the OneCLI and the required files to the same directory.
3. After you have Lenovo XClarity Essentials OneCLI in place, type the following command to set the UUID:

```
onecli config createuuid SYSTEM_PROD_DATA.SysInfoUUID [access_method]
```

Where:

[access_method]

The access method that you select to use from the following methods:

- Online authenticated LAN access, type the command:

```
[--bmc-username <xcc_user_id> --bmc-password <xcc_password>]
```

Where:

xcc_user_id

The BMC/IMM/XCC account name (1 of 12 accounts). The default value is USERID.

xcc_password

The BMC/IMM/XCC account password (1 of 12 accounts).

Example command is as follows:

```
onecli config createuuid SYSTEM_PROD_DATA.SysInfoUUID --bmc-username  
<xcc_user_id> --bmc-password <xcc_password>
```

- Online KCS access (unauthenticated and user restricted):

You do not need to specify a value for *access_method* when you use this access method.

Example command is as follows:

```
onecli config createuuid SYSTEM_PROD_DATA.SysInfoUUID
```

Note: The KCS access method uses the IPMI/KCS interface, which requires that the IPMI driver be installed.

- Remote LAN access, type the command:

```
[--bmc <xcc_user_id>:<xcc_password>@<xcc_external_ip>]
```

Where:

xcc_external_ip

The BMC/IMM/XCC external IP address. There is no default value. This parameter is required.

xcc_user_id

The BMC/IMM/XCC account name (1 of 12 accounts). The default value is USERID.

xcc_password

The BMC/IMM/XCC account password (1 of 12 accounts).

Note: BMC, IMM, or XCC external IP address, account name, and password are all valid for this command.

Example command is as follows:

```
onecli config createuuid SYSTEM_PROD_DATA.SysInfoUUID  
--bmc <xcc_user_id>:<xcc_password>@<xcc_external_ip>
```

4. Restart the Lenovo XClarity Controller.
5. Restart the server.

Update the asset tag

Optionally, you can update the asset tag.

There are two methods available to update the asset tag:

- From Lenovo XClarity Provisioning Manager

To update the asset tag from Lenovo XClarity Provisioning Manager:

1. Start the server and press F1 to display the Lenovo XClarity Provisioning Manager interface.
2. If the power-on Administrator password is required, enter the password.
3. From the System Summary page, click **Update VPD**.
4. Update the asset tag information.

- From Lenovo XClarity Essentials OneCLI

Lenovo XClarity Essentials OneCLI sets the asset tag in the Lenovo XClarity Controller. Select one of the following methods to access the Lenovo XClarity Controller and set the asset tag:

- Operate from the target system, such as LAN or keyboard console style (KCS) access
- Remote access to the target system (TCP/IP based)

To update the asset tag from Lenovo XClarity Essentials OneCLI:

1. Download and install Lenovo XClarity Essentials OneCLI.

To download Lenovo XClarity Essentials OneCLI, go to the following site:

<https://datacentersupport.lenovo.com/solutions/HT116433>

2. Copy and unpack the OneCLI package, which also includes other required files, to the server. Make sure that you unpack the OneCLI and the required files to the same directory.
3. After you have Lenovo XClarity Essentials OneCLI in place, type the following command to set the DMI:

```
onecli config set SYSTEM_PROD_DATA.SysEncloseAssetTag <asset_tag> [access_method]
```

Where:

<asset_tag>

The server asset tag number. Type aaaaaaaaaaaaaaaaaaaaaaaaaaaaaaaaa, where aaaaaaaaaaaaaaaaaaaaaaaaaaaaaaaaa is the asset tag number.

[access_method]

The access method that you select to use from the following methods:

- Online authenticated LAN access, type the command:

```
[--bmc-username <xcc_user_id> --bmc-password <xcc_password>]
```

Where:

xcc_user_id

The BMC/IMM/XCC account name (1 of 12 accounts). The default value is USERID.

xcc_password

The BMC/IMM/XCC account password (1 of 12 accounts).

Example command is as follows:

```
onecli config set SYSTEM_PROD_DATA.SysEncloseAssetTag <asset_tag> --bmc-username <xcc_user_id>
--bmc-password <xcc_password>
```

- Online KCS access (unauthenticated and user restricted):

You do not need to specify a value for *access_method* when you use this access method.

Example command is as follows:

```
onecli config set SYSTEM_PROD_DATA.SysEncloseAssetTag <asset_tag>
```

Note: The KCS access method uses the IPMI/KCS interface, which requires that the IPMI driver be installed.

- Remote LAN access, type the command:

```
[--bmc <xcc_user_id>:<xcc_password>@<xcc_external_ip>]
```

Where:

xcc_external_ip

The BMC/IMM/XCC IP address. There is no default value. This parameter is required.

xcc_user_id

The BMC/IMM/XCC account (1 of 12 accounts). The default value is USERID.

xcc_password

The BMC/IMM/XCC account password (1 of 12 accounts).

Note: BMC, IMM, or XCC internal LAN/USB IP address, account name, and password are all valid for this command.

Example command is as follows:

```
onecli config set SYSTEM_PROD_DATA.SysEncloseAssetTag <asset_tag>
--bmc <xcc_user_id>:<xcc_password>@<xcc_external_ip>
```

4. Reset the Lenovo XClarity Controller to the factory defaults. Go to https://sysmgmt.lenovofiles.com/help/topic/com.lenovo.systems.management.xcc.doc/NN1ia_c_resettingthexcc.html for more information.

Chapter 5. Resolving installation issues

Use this information to resolve issues that you might have when setting up your system.

Use the information in this section to diagnose and resolve problems that you might encounter during the initial installation and setup of your server.

- [“Server does not power on” on page 95](#)
- [“The server immediately displays the POST Event Viewer when it is turned on” on page 95](#)
- [“Embedded hypervisor is not in the boot list” on page 95](#)
- [“Server cannot recognize a hard drive” on page 96](#)
- [“Displayed system memory less than installed physical memory” on page 97](#)
- [“A Lenovo optional device that was just installed does not work.” on page 97](#)
- [“Voltage planar fault is displayed in the event log” on page 97](#)

Server does not power on

Complete the following steps until the problem is resolved:

1. Check the event log for any events related to the server not powering on.
2. Check for any LEDs that are flashing amber.
3. Check the power LED on the system board.
4. Reseat the power supply.
5. Replace the power supply.

The server immediately displays the POST Event Viewer when it is turned on

Complete the following steps until the problem is solved.

1. Correct any errors that are indicated by the light path diagnostics LEDs.
2. Make sure that the server supports all the processors and that the processors match in speed and cache size.

You can view processor details from system setup.

To determine if the processor is supported for the server, see <https://static.lenovo.com/us/en/serverproven/index.shtml>.

3. (Trained technician only) Make sure that processor 1 is seated correctly.
4. (Trained technician only) Remove processor 2 and restart the server.
5. Replace the following components one at a time, in the order shown, restarting the server each time:
 - a. (Trained technician only) Processor
 - b. (Trained technician only) System board

Embedded hypervisor is not in the boot list

Complete the following steps until the problem is solved.

1. If the server has been installed, moved, or serviced recently, or if this is the first time the embedded hypervisor is being used, make sure that the device is connected properly and that there is no physical damage to the connectors.
2. See the documentation that comes with the optional embedded hypervisor flash device for setup and configuration information.

3. Check <https://static.lenovo.com/us/en/serverproven/index.shtml> to validate that the embedded hypervisor device is supported for the server.
4. Make sure that the embedded hypervisor device is listed in the list of available boot options. From the management controller user interface, click **Server Configuration → Boot Options**.

For information about accessing the management controller user interface, see the XClarity Controller product documentation:

http://sysmgt.lenovofiles.com/help/topic/com.lenovo.systems.management.xcc.doc/dw1lm_c_chapter2_openingandusing.html

5. Check <http://datacentersupport.lenovo.com> for any tech tips (service bulletins) related to the embedded hypervisor and the server.
6. Make sure that other software works on the server to ensure that it is working properly.

Server cannot recognize a hard drive

Complete the following steps until the problem is solved.

1. Observe the associated yellow hard disk drive status LED. If the LED is lit, it indicates a drive fault.
2. If the LED is lit, remove the drive from the bay, wait 45 seconds, and reinsert the drive, making sure that the drive assembly connects to the hard disk drive backplane.
3. Observe the associated green hard disk drive activity LED and the yellow status LED:
 - If the green activity LED is flashing and the yellow status LED is not lit, the drive is recognized by the controller and is working correctly. Run the diagnostics tests for the hard disk drives. When you start a server and press F1, the Lenovo XClarity Provisioning Manager interface is displayed by default. You can perform hard drive diagnostics from this interface. From the Diagnostic page, click **Run Diagnostic → HDD test**.
 - If the green activity LED is flashing and the yellow status LED is flashing slowly, the drive is recognized by the controller and is rebuilding.
 - If neither LED is lit or flashing, check the hard disk drive backplane.
 - If the green activity LED is flashing and the yellow status LED is lit, replace the drive. If the activity of the LEDs remains the same, go to step Hard disk drive problems. If the activity of the LEDs changes, return to step 1.
4. Make sure that the hard disk drive backplane is correctly seated. When it is correctly seated, the drive assemblies correctly connect to the backplane without bowing or causing movement of the backplane.
5. Reseat the backplane power cable and repeat steps 1 through 3.
6. Reseat the backplane signal cable and repeat steps 1 through 3.
7. Suspect the backplane signal cable or the backplane:
 - Replace the affected backplane signal cable.
 - Replace the affected backplane.
8. Run the diagnostics tests for the hard disk drives. When you start a server and press F1, the Lenovo XClarity Provisioning Manager interface is displayed by default. You can perform hard drive diagnostics from this interface. From the Diagnostic page, click **Run Diagnostic → HDD test**.

Based on those tests:

- If the adapter passes the test but the drives are not recognized, replace the backplane signal cable and run the tests again.
- Replace the backplane.
- If the adapter fails the test, disconnect the backplane signal cable from the adapter and run the tests again.

- If the adapter fails the test, replace the adapter.

Displayed system memory less than installed physical memory

Complete the following steps until the problem is resolved:

Note: Each time you install or remove a DIMM, you must disconnect the server from the power source; then, wait 10 seconds before restarting the server.

1. Make sure that:
 - No error LEDs are lit on the operator information panel.
 - Memory mirrored channel does not account for the discrepancy.
 - The DIMMs are seated correctly.
 - You have installed the correct type of DIMMs.
 - If you changed the DIMMs, you updated the memory configuration in the Setup utility.
 - All banks of memory are enabled. The server might have automatically disabled a memory bank when it detected a problem, or a memory bank might have been manually disabled.
 - There is no memory mismatch when the server is at the minimum memory configuration.
2. Reseat the DIMMs, and then restart the server.
3. Run memory diagnostics. When you start a server and press F1, the Lenovo XClarity Provisioning Manager interface is displayed by default. You can perform memory diagnostics from this interface. From the Diagnostic page, click **Run Diagnostic → Memory test**.
4. Check the POST error log:
 - If a DIMM was disabled by a systems-management interrupt (SMI), replace the DIMM.
 - If a DIMM was disabled by the user or by POST, reseat the DIMM; then, run the Setup utility and enable the DIMM.
5. Reseat the DIMM.
6. Restart the server.

A Lenovo optional device that was just installed does not work.

1. Make sure that:
 - The device is supported for the server (see <https://static.lenovo.com/us/en/serverproven/index.shtml>).
 - You followed the installation instructions that came with the device and the device is installed correctly.
 - You have not loosened any other installed devices or cables.
 - You updated the configuration information in system setup. When you start a server and press F1 to display the system setup interface. Whenever memory or any other device is changed, you must update the configuration.
2. Reseat the device that you just installed.
3. Replace the device that you just installed.

Voltage planar fault is displayed in the event log

Complete the following steps until the problem is solved.

1. Revert the system to the minimum configuration. See “[Specifications](#)” on page 4 for the minimally required number of processors and DIMMs.
2. Restart the system.
 - If the system restarts, add each of the items that you removed one at a time, restarting the system each time, until the error occurs. Replace the item for which the error occurs.

- If the system does not restart, suspect the system board.

Appendix A. Getting help and technical assistance

If you need help, service, or technical assistance or just want more information about Lenovo products, you will find a wide variety of sources available from Lenovo to assist you.

On the World Wide Web, up-to-date information about Lenovo systems, optional devices, services, and support are available at:

<http://datacentersupport.lenovo.com>

Note: IBM is Lenovo's preferred service provider for ThinkSystem.

Before you call

Before you call, there are several steps that you can take to try and solve the problem yourself. If you decide that you do need to call for assistance, gather the information that will be needed by the service technician to more quickly resolve your problem.

Attempt to resolve the problem yourself

You can solve many problems without outside assistance by following the troubleshooting procedures that Lenovo provides in the online help or in the Lenovo product documentation. The Lenovo product documentation also describes the diagnostic tests that you can perform. The documentation for most systems, operating systems, and programs contains troubleshooting procedures and explanations of error messages and error codes. If you suspect a software problem, see the documentation for the operating system or program.

You can find the product documentation for your ThinkSystem products at the following location:

<http://thinksystem.lenovofiles.com/help/index.jsp>

You can take these steps to try to solve the problem yourself:

- Check all cables to make sure that they are connected.
- Check the power switches to make sure that the system and any optional devices are turned on.
- Check for updated software, firmware, and operating-system device drivers for your Lenovo product. The Lenovo Warranty terms and conditions state that you, the owner of the Lenovo product, are responsible for maintaining and updating all software and firmware for the product (unless it is covered by an additional maintenance contract). Your service technician will request that you upgrade your software and firmware if the problem has a documented solution within a software upgrade.
- If you have installed new hardware or software in your environment, check <https://static.lenovo.com/us/en/serverproven/index.shtml> to make sure that the hardware and software is supported by your product.
- Go to <http://datacentersupport.lenovo.com> and check for information to help you solve the problem.
 - Check the Lenovo forums at https://forums.lenovo.com/t5/Datacenter-Systems/ct-p/sv_eg to see if someone else has encountered a similar problem.

Gathering information needed to call Support

If you believe that you require warranty service for your Lenovo product, the service technicians will be able to assist you more efficiently if you prepare before you call. You can also see <http://datacentersupport.lenovo.com/warrantylookup> for more information about your product warranty.

Gather the following information to provide to the service technician. This data will help the service technician quickly provide a solution to your problem and ensure that you receive the level of service for which you might have contracted.

- Hardware and Software Maintenance agreement contract numbers, if applicable
- Machine type number (Lenovo 4-digit machine identifier)
- Model number
- Serial number
- Current system UEFI and firmware levels
- Other pertinent information such as error messages and logs

As an alternative to calling Lenovo Support, you can go to <https://support.lenovo.com/servicerequest> to submit an Electronic Service Request. Submitting an Electronic Service Request will start the process of determining a solution to your problem by making the pertinent information available to the service technicians. The Lenovo service technicians can start working on your solution as soon as you have completed and submitted an Electronic Service Request.

Collecting service data

To clearly identify the root cause of a server issue or at the request of Lenovo Support, you might need collect service data that can be used for further analysis. Service data includes information such as event logs and hardware inventory.

Service data can be collected through the following tools:

- **Lenovo XClarity Provisioning Manager**

Use the Collect Service Data function of Lenovo XClarity Provisioning Manager to collect system service data. You can collect existing system log data or run a new diagnostic to collect new data.

- **Lenovo XClarity Controller**

You can use the Lenovo XClarity Controller web interface or the CLI to collect service data for the server. The file can be saved and sent to Lenovo Support.

- For more information about using the web interface to collect service data, see http://sysmgt.lenovofiles.com/help/topic/com.lenovo.systems.management.xcc.doc/NN1ia_c_servicesandsupport.html.
- For more information about using the CLI to collect service data, see http://sysmgt.lenovofiles.com/help/topic/com.lenovo.systems.management.xcc.doc/nn1ia_r_ffdccommand.html.

- **Lenovo XClarity Administrator**

Lenovo XClarity Administrator can be set up to collect and send diagnostic files automatically to Lenovo Support when certain serviceable events occur in Lenovo XClarity Administrator and the managed endpoints. You can choose to send diagnostic files to Lenovo Support using Call Home or to another service provider using SFTP. You can also manually collect diagnostic files, open a problem record, and send diagnostic files to the Lenovo Support Center.

You can find more information about setting up automatic problem notification within the Lenovo XClarity Administrator at http://sysmgt.lenovofiles.com/help/topic/com.lenovo.lxca.doc/admin_setupcallhome.html.

- **Lenovo XClarity Essentials OneCLI**

Lenovo XClarity Essentials OneCLI has inventory application to collect service data. It can run both in-band and out-of-band. When running in-band within the host operating system on the server, OneCLI can collect information about the operating system, such as the operating system event log, in addition to the hardware service data.

To obtain service data, you can run the `getinfor` command. For more information about running the `getinfor`, see http://sysmgmt.lenovofiles.com/help/topic/toolsctr_cli_lenovo/onecli_r_getinfor_command.html.

Contacting Support

You can contact Support to obtain help for your issue.

You can receive hardware service through a Lenovo Authorized Service Provider. To locate a service provider authorized by Lenovo to provide warranty service, go to <https://datacentersupport.lenovo.com/serviceprovider> and use filter searching for different countries. For Lenovo support telephone numbers, see <https://datacentersupport.lenovo.com/supportphonenumberlist> for your region support details.

Appendix B. Trademarks

LENOVO, XCLARITY, and THINKSYSTEM are trademarks of Lenovo.

Intel and Xeon are trademarks of Intel Corporation in the United States, other countries, or both.

Microsoft and Windows are trademarks of the Microsoft group of companies.

Linux is a registered trademark of Linus Torvalds.

All other trademarks are the property of their respective owners. © 2022 Lenovo.

Index

A

air baffle
removing 48
replacing 75

B

back up the server configuration 90
backplanes 32

C

cable routing
front I/O assembly 30
RAID super capacitor module 31
VGA connector 28
cable routing for the server model with eight 2.5-inch hot-swap drives 32
cable routing for the server model with four 3.5-inch hot-swap drives 34
cable routing for the server model with four 3.5-inch simple-swap drives 35
cable the server 80
collecting service data 100
common installation issues 95
Configuration - ThinkSystem SR530 83
configure the firmware 87
contamination, particulate and gaseous 10
cover
installing 76
removing 47
CPU
option install 50
creating a personalized support web page 99
custom support web page 99

D

devices, static-sensitive
handling 44

F

features 3

G

gaseous contamination 10
Getting help 99
guidelines
options installation 42
system reliability 44

H

handling static-sensitive devices 44
hard disk drive
installing 78
hardware options

installing 45
hardware service and support telephone numbers 101
help 99
hot-swap drive
installing 78
hot-swap power supply, install 70

I

install
hot-swap power supply 70
install a memory module 53
install server in a rack 80
installation
guidelines 42
installation guidelines 42
installing
hard disk drive 78
hot-swap drive 78
LOM adapter 69
PCIe adapter and riser assembly 61
serial port module 67
simple-swap drive 79
system fan 59
top cover 76
internal cable routing 27

L

Lenovo Capacity Planner 11
Lenovo XClarity Essentials 11
Lenovo XClarity Provisioning Manager 11
LOM adapter
installing 69

M

M.2 backplane and M.2 drive
installing 63
management options 11
memory configuration 88–89
Memory module installation order 54
Memory module installation rules 54
microprocessor
option install 50

N

note i

O

operator information panel 17
option install
CPU 50
microprocessor 50
PHM 50
processor 50
processor-heat-sink module 50

P

- particulate contamination 10
- parts list 36
- PCIe adapter and riser assembly
 - installing 61
- PHM
 - option install 50
- power cords 39
- power off the server 81
- power on the server 81
- processor
 - option install 50
- processor-heat-sink module
 - option install 50

R

- RAID super capacitor module
 - replacing 74
- rear view 19
- removing
 - air baffle 48
 - security bezel 46
 - top cover 47
- replacing
 - air baffle 75
 - RAID super capacitor module 74
- retainer on M.2 backplane
 - adjustment 66

S

- safety inspection checklist 43
- security bezel
 - removing 46
- serial port module
 - installing 67
- server components 15
- server package contents 3
- server setup 41
- server setup checklist 41
- service and support
 - before you call 99

- hardware 101
- software 101
- service data 100
- simple-swap drive
 - installing 79
- software service and support telephone numbers 101
- specifications 4
- static-sensitive devices
 - handling 44
- support web page, custom 99
- system board components 25
- System configuration - ThinkSystem SR530 83
- system fan
 - installing 59
- system reliability guidelines 44

T

- telephone numbers 101
- top cover
 - installing 76
 - removing 47
- trademarks 103

U

- update the firmware 84
- updating
 - asset tag 92
 - Universal Unique Identifier (UUID) 90
 - Update the Vital Product Data (VPD) 90

V

- validate server setup 81

W

- working inside the server
 - power on 44

Lenovo